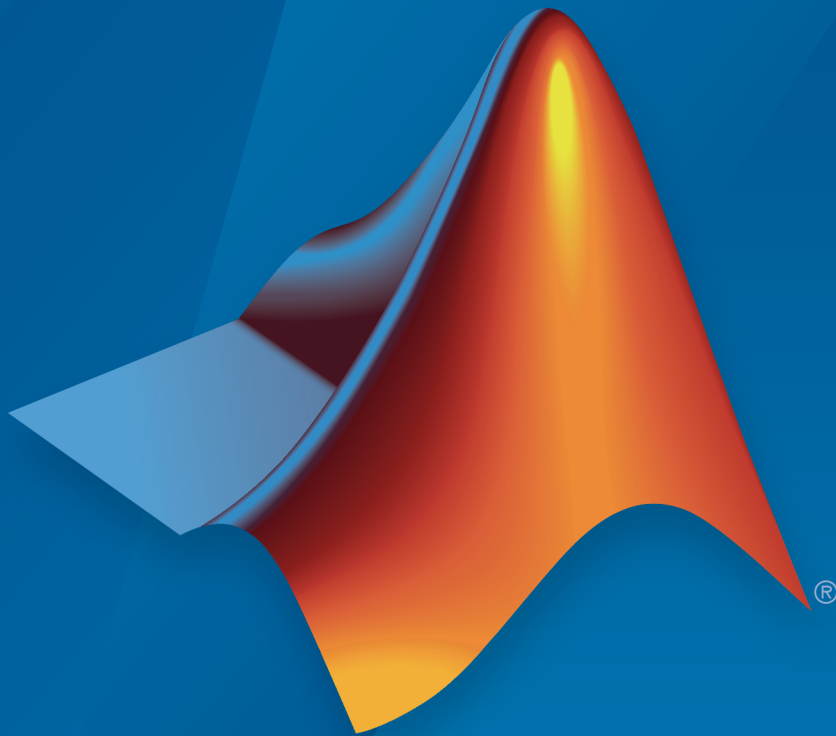


Embedded Coder<sup>®</sup>

User's Guide



MATLAB<sup>®</sup>&SIMULINK<sup>®</sup>

R2016a



## How to Contact MathWorks



Latest news: [www.mathworks.com](http://www.mathworks.com)  
Sales and services: [www.mathworks.com/sales\\_and\\_services](http://www.mathworks.com/sales_and_services)  
User community: [www.mathworks.com/matlabcentral](http://www.mathworks.com/matlabcentral)  
Technical support: [www.mathworks.com/support/contact\\_us](http://www.mathworks.com/support/contact_us)



Phone: 508-647-7000



The MathWorks, Inc.  
3 Apple Hill Drive  
Natick, MA 01760-2098

*Embedded Coder<sup>®</sup> User's Guide*

© COPYRIGHT 2011–2016 by The MathWorks, Inc.

The software described in this document is furnished under a license agreement. The software may be used or copied only under the terms of the license agreement. No part of this manual may be photocopied or reproduced in any form without prior written consent from The MathWorks, Inc.

**FEDERAL ACQUISITION:** This provision applies to all acquisitions of the Program and Documentation by, for, or through the federal government of the United States. By accepting delivery of the Program or Documentation, the government hereby agrees that this software or documentation qualifies as commercial computer software or commercial computer software documentation as such terms are used or defined in FAR 12.212, DFARS Part 227.72, and DFARS 252.227-7014. Accordingly, the terms and conditions of this Agreement and only those rights specified in this Agreement, shall pertain to and govern the use, modification, reproduction, release, performance, display, and disclosure of the Program and Documentation by the federal government (or other entity acquiring for or through the federal government) and shall supersede any conflicting contractual terms or conditions. If this License fails to meet the government's needs or is inconsistent in any respect with federal procurement law, the government agrees to return the Program and Documentation, unused, to The MathWorks, Inc.

### **Trademarks**

MATLAB and Simulink are registered trademarks of The MathWorks, Inc. See [www.mathworks.com/trademarks](http://www.mathworks.com/trademarks) for a list of additional trademarks. Other product or brand names may be trademarks or registered trademarks of their respective holders.

### **Patents**

MathWorks products are protected by one or more U.S. patents. Please see [www.mathworks.com/patents](http://www.mathworks.com/patents) for more information.

### Revision History

April 2011	Online only	New for Version 6.0 (Release 2011a)
September 2011	Online only	Revised for Version 6.1 (Release 2011b)
March 2012	Online only	Revised for Version 6.2 (Release 2012a)
September 2012	Online only	Revised for Version 6.3 (Release 2012b)
March 2013	Online only	Revised for Version 6.4 (Release 2013a)
September 2013	Online only	Revised for Version 6.5 (Release 2013b)
March 2014	Online only	Revised for Version 6.6 (Release 2014a)
October 2014	Online only	Revised for Version 6.7 (Release 2014b)
March 2015	Online only	Revised for Version 6.8 (Release 2015a)
September 2015	Online only	Revised for Version 6.9 (Release 2015b)
October 2015	Online only	Rereleased for Version 6.8.1 (Release 2015aSP1)
March 2016	Online only	Revised for Version 6.10 (Release 2016a)





## Check Bug Reports for Issues and Fixes

Software is inherently complex and is not free of errors. The output of a code generator might contain bugs, some of which are not detected by a compiler. MathWorks reports critical known bugs brought to its attention on its Bug Report system at [www.mathworks.com/support/bugreports/](http://www.mathworks.com/support/bugreports/). Use the Saved Searches and Watched Bugs tool with the search phrase "Incorrect Code Generation" to obtain a report of known bugs that produce code that might compile and execute, but still produce wrong answers.

The bug reports are an integral part of the documentation for each release. Examine periodically all bug reports for a release, as such reports may identify inconsistencies between the actual behavior of a release you are using and the behavior described in this documentation.

In addition to reviewing bug reports, you should implement a verification and validation strategy to identify potential bugs in your design, code, and tools.



## Model Architecture and Design

<b>1</b>	<b>Modeling Environment</b>	
	<b>Design Models for Generated Embedded Code</b>	
	<b>Deployment</b> . . . . .	1-2
	Embedded System Architectures . . . . .	1-2
	Generated Code Execution Framework . . . . .	1-3
	Map Embedded System Architecture to Simulink Modeling Environment . . . . .	1-4
	Embedded System Model Templates . . . . .	1-13
	<b>Model Single-Core, Single-Tasking Platform</b>	
	<b>Execution</b> . . . . .	1-15
	<b>Model Single-Core, Multitasking Platform Execution</b> . . . . .	1-20
	<b>Model Concurrent Execution for Symmetric Multicore   CPU Platforms</b> . . . . .	1-25
	<b>Model Explicit Function Invocation with Atomic   Subsystems</b> . . . . .	1-33
	<b>Model Explicit Function Invocation with Function-Call   Subsystems</b> . . . . .	1-38
	<b>Model for AUTOSAR Platform</b> . . . . .	1-42

<b>Support for Standards and Guidelines</b> .....	2-2
<b>MAAB Guidelines</b> .....	2-4
<b>MISRA C Guidelines</b> .....	2-5
<b>IEC 61508 Standard</b> .....	2-7
Apply Simulink and Embedded Coder to the IEC 61508 Standard .....	2-7
Check for IEC 61508 Standard Compliance Using the Model Advisor .....	2-7
Validate Traceability .....	2-7
<b>Develop a Model that Complies with the IEC 61508 Standard</b> .....	2-9
<b>IEC 62304 Standard</b> .....	2-12
Apply Simulink and Embedded Coder to the IEC 62304 Standard .....	2-12
Check for IEC 62304 Standard Compliance Using the Model Advisor .....	2-12
<b>ISO 26262 Standard</b> .....	2-13
Apply Simulink and Embedded Coder to the ISO 26262 Standard .....	2-13
Check for ISO 26262 Standard Compliance Using the Model Advisor .....	2-13
Validate Traceability .....	2-7
<b>EN 50128 Standard</b> .....	2-15
Apply Simulink and Embedded Coder to the EN 50128 Standard .....	2-15
Check for EN 50128 Standard Compliance Using the Model Advisor .....	2-15
Validate Traceability .....	2-7
<b>DO-178C Standard</b> .....	2-17
Apply Simulink and Embedded Coder to the DO-178C Standard .....	2-17

Check for Standard Compliance Using the Model	
Advisor . . . . .	2-17
Validate Traceability . . . . .	2-7

## Patterns for C Code

### 3

<b>Prepare a Model for Code Generation . . . . .</b>	<b>3-2</b>
Configure a Signal . . . . .	3-3
Configure Input and Output Ports . . . . .	3-3
Initialize States . . . . .	3-3
Set Up Configuration Parameters for Code Generation . . . . .	3-4
Set Up an Example Model With a Stateflow Chart . . . . .	3-5
Set Up an Example Model With a MATLAB Function Block . . . . .	3-6
<b>Data Definition and Declaration . . . . .</b>	<b>3-7</b>
C Construct for Parameters . . . . .	3-7
Declare a Variable for a Block Parameter Using a Data Object . . . . .	3-7
C Construct for Signals . . . . .	3-8
Declare a Variable for a Signal Using a Data Object . . . . .	3-8
<b>Data Type Conversion . . . . .</b>	<b>3-10</b>
C Construct . . . . .	3-10
Modeling Patterns . . . . .	3-10
Modeling Pattern for Data Type Conversion — Simulink Block . . . . .	3-10
Modeling Pattern for Data Type Conversion — Stateflow Chart . . . . .	3-11
Modeling Pattern for Data Type Conversion — MATLAB Function Block . . . . .	3-12
Other Type Conversions in Modeling . . . . .	3-12
<b>Type Qualifiers . . . . .</b>	<b>3-13</b>
Use a Data Object of the ConstVolatile Custom Storage Class . . . . .	3-13
<b>Relational and Logical Operators . . . . .</b>	<b>3-15</b>
Modeling Patterns for Relational and Logical Operators . . . . .	3-15

Modeling Pattern for Relational or Logical Operators — Simulink Blocks .....	3-15
Modeling Pattern for Relational and Logical Operators — Stateflow Chart .....	3-16
Modeling Pattern for Relational and Logical Operators — MATLAB Function Block .....	3-17
<b>Bitwise Operations</b> .....	3-19
Simulink Bitwise-Operator Block .....	3-19
Stateflow Chart .....	3-20
MATLAB Function Block .....	3-21
<b>If-Else</b> .....	3-22
C Construct .....	3-22
Modeling Patterns .....	3-22
Modeling Pattern for If-Else: Switch block .....	3-23
Modeling Pattern for If-Else: Stateflow Chart .....	3-25
Modeling Pattern for If-Else: MATLAB Function Block .....	3-27
<b>Switch</b> .....	3-28
C Construct .....	3-28
Modeling Patterns .....	3-28
Modeling Pattern for Switch: Switch Case block .....	3-29
Modeling Pattern for Switch: MATLAB Function block .....	3-32
Convert If-Elseif-Else to Switch statement .....	3-33
<b>For Loop</b> .....	3-34
C Construct .....	3-34
Modeling Patterns: .....	3-34
Modeling Pattern for For Loop: For-Iterator Subsystem block .....	3-35
Modeling Pattern for For Loop: Stateflow Chart .....	3-38
Modeling Pattern for For Loop: MATLAB Function block .....	3-40
<b>While Loop</b> .....	3-42
C Construct .....	3-42
Modeling Patterns .....	3-42
Modeling Pattern for While Loop: While Iterator Subsystem block .....	3-43
Modeling Pattern for While Loop: Stateflow Chart .....	3-46
Modeling Pattern for While Loop: MATLAB Function Block .....	3-49

<b>Do While Loop</b> .....	<b>3-52</b>
C Construct .....	<b>3-52</b>
Modeling Patterns .....	<b>3-52</b>
Modeling Pattern for Do While Loop: While Iterator	
Subsystem block .....	<b>3-53</b>
Modeling Pattern for Do While Loop: Stateflow Chart .	<b>3-56</b>
<b>Function Call</b> .....	<b>3-59</b>
C Construct .....	<b>3-59</b>
Procedure .....	<b>3-59</b>
Results .....	<b>3-60</b>
<b>Function Prototyping</b> .....	<b>3-61</b>
C Construct .....	<b>3-61</b>
Modeling Patterns .....	<b>3-61</b>
Function Call Using Graphical Functions .....	<b>3-61</b>
Control Function Prototype of the model_step Function	<b>3-63</b>
<b>External C Functions</b> .....	<b>3-65</b>
C Construct .....	<b>3-65</b>
Modeling Patterns .....	<b>3-65</b>
Use the Legacy Code Tool to Create S-functions .....	<b>3-65</b>
Use a Stateflow Chart to Make Calls to C Functions ..	<b>3-67</b>
Using a MATLAB Function Block to Make Calls to C	
Functions .....	<b>3-69</b>
<b>Macro Definitions (#define)</b> .....	<b>3-71</b>
C Construct .....	<b>3-71</b>
Modeling Patterns .....	<b>3-71</b>
Use a 'Define' Custom Storage Class .....	<b>3-71</b>
Use a Custom Header File .....	<b>3-72</b>
<b>Conditional Inclusions (#if / #endif)</b> .....	<b>3-74</b>
<b>Typedef</b> .....	<b>3-75</b>
C Construct .....	<b>3-75</b>
Procedure .....	<b>3-75</b>
Results .....	<b>3-76</b>
<b>Structures for Parameters</b> .....	<b>3-77</b>
C Construct .....	<b>3-77</b>
Procedure .....	<b>3-77</b>
Results .....	<b>3-78</b>

<b>Structures for Signals</b> .....	<b>3-79</b>
C Construct .....	3-79
Modeling Patterns .....	3-79
Structure for Signals Using a 'Struct' Custom Storage Class .....	3-79
Structure for Signals Using a Simulink Non-Virtual Bus Object .....	3-80
<b>Nested Structures of Signals</b> .....	<b>3-83</b>
C Construct .....	3-83
Procedure .....	3-83
Results .....	3-85
<b>Bitfields</b> .....	<b>3-87</b>
C Construct .....	3-87
Procedure .....	3-87
Results .....	3-88
<b>Arrays for Parameters</b> .....	<b>3-90</b>
C Construct .....	3-90
Procedure .....	3-90
Results .....	3-91
<b>Arrays for Signals</b> .....	<b>3-92</b>
C Construct .....	3-92
Procedure .....	3-92
Results .....	3-92
<b>Pointers for Signals</b> .....	<b>3-94</b>
C Construct .....	3-94
Procedure .....	3-94
Results .....	3-94
<b>Pointers Using Simulink Data Objects</b> .....	<b>3-95</b>
C Construct .....	3-95
Procedure .....	3-95
Results .....	3-95



<b>Implement Dimension Variants for Array Sizes in Generated Code</b> .....	4-2
Dimension Variants .....	4-2
Define Symbolic Dimensions .....	4-3
Specify Symbolic Dimensions for Blocks and Data Objects .....	4-5
Generate Code for a Model with Dimension Variants ..	4-7
Code Generation Optimization Considerations .....	4-9
Backward Compatibility .....	4-9
Supported Blocks .....	4-10
Limitations .....	4-12
 <b>Code Generation for Variant Source, Sink, Subsystem, and Model Blocks</b> .....	4-15
Restrictions on Variant Subsystem Code Generation ..	4-15
Generated Code Components Not Compiled Conditionally .....	4-17
 <b>Represent Subsystem and Model Variants in Generated Code</b> .....	4-18
Step 1: Represent Variant Choices in Simulink .....	4-18
Step 2: Specify Conditions That Control Variant Choice Selection .....	4-22
Step 3: Configure Model for Generating Preprocessor Conditionals .....	4-24
Step 4: Review Generated Code .....	4-25
Limitations .....	4-28
 <b>Generate Preprocessor Conditionals for Subsystem and Model Variants</b> .....	4-30
Define Variant Controls .....	4-30
Configure Model for Generating Preprocessor Conditional Directives .....	4-32
Build Your Model .....	4-32
Special Considerations for Generating Preprocessor Conditionals .....	4-32

<b>Represent Variant Source and Sink Blocks in Generated Code</b> .....	<b>4-34</b>
Represent Variant Source and Variant Sink blocks in Simulink .....	<b>4-34</b>
Specify Conditions That Control Variant Choice Selection .....	<b>4-39</b>
Review the Generated Code .....	<b>4-39</b>
Generate Code with Zero Active Variant Controls .....	<b>4-41</b>
State Logging Limitation .....	<b>4-42</b>
<b>Configure Dimension Variants for S-Function Blocks</b> .....	<b>4-44</b>
S-Function That Supports Forward Propagation of Symbolic Dimensions .....	<b>4-45</b>
S-Function That Supports Forward and Backward Propagation of Symbolic Dimensions .....	<b>4-46</b>

## Scheduling Considerations

# 5

<b>Use Discrete and Continuous Time</b> .....	<b>5-2</b>
Support for Discrete and Continuous Time Blocks .....	<b>5-2</b>
Support for Continuous Solvers .....	<b>5-2</b>
Support for Stop Time .....	<b>5-2</b>
<b>Optimize Multirate Multitasking Operation on RTOS Targets</b> .....	<b>5-4</b>
Use rtmStepTask .....	<b>5-4</b>
Schedule Code for Real-time Model without an RTOS ..	<b>5-4</b>
Schedule Code for Multirate Multitasking on an RTOS ..	<b>5-5</b>
Suppress Redundant Scheduling Calls .....	<b>5-6</b>
<b>Profile Real-Time Task Execution Using IDE Link Component</b> .....	<b>5-7</b>

<b>Access Data During Execution by Using Data</b>	
<b>Interfaces</b> . . . . .	<b>6-3</b>
Access Signal, State, and Parameter Data During Execution . . . . .	<b>6-3</b>
Access Data Through C API . . . . .	<b>6-8</b>
<b>Default Data Structures in the Generated Code</b> . . . . .	<b>6-16</b>
<b>Use the Real-Time Model Data Structure</b> . . . . .	<b>6-19</b>
<b>Use Enumerated Data in Generated Code</b> . . . . .	<b>6-22</b>
Enumerated Data Types . . . . .	<b>6-22</b>
Specify Integer Data Type for Enumeration . . . . .	<b>6-22</b>
Customize Enumerated Data Type . . . . .	<b>6-24</b>
Control Enumerated Type Implementation in Generated Code . . . . .	<b>6-28</b>
Type Casting for Enumerations . . . . .	<b>6-29</b>
Enumerated Type Limitations . . . . .	<b>6-30</b>
<b>Structure Parameters and Generated Code</b> . . . . .	<b>6-31</b>
About Structure Parameters and Generated Code . . . . .	<b>6-31</b>
Configure Structure Parameters for Generated Code . . . . .	<b>6-31</b>
Create Tunable Structure Parameter . . . . .	<b>6-32</b>
Control Name of Structure Parameter Type . . . . .	<b>6-32</b>
<b>Data Stores in Generated Code</b> . . . . .	<b>6-36</b>
About Data Stores . . . . .	<b>6-36</b>
Storage Classes for Data Store Memory Blocks . . . . .	<b>6-36</b>
Data Store Buffering in Generated Code . . . . .	<b>6-38</b>
<b>Generate Code for Data Store Memory Blocks</b> . . . . .	<b>6-42</b>
<b>Structures in Generated Code Using Data Stores</b> . . . . .	<b>6-43</b>
Explore Example Model . . . . .	<b>6-43</b>
Configure Data Store . . . . .	<b>6-43</b>

Write to Data Store Elements .....	6-44
Generate Code with Data Store Structure .....	6-46
<b>Specify Single Precision .....</b>	<b>6-47</b>
<b>Parameter Storage in the Generated Code .....</b>	<b>6-48</b>
Default Parameter Storage .....	6-48
Tunable Parameter Storage .....	6-51
<b>Tunable Expressions .....</b>	<b>6-53</b>
Expression Tunability in Generated Code .....	6-53
Tunable Expressions in Masked Subsystems .....	6-57
Tunable Expression Limitations .....	6-59
<b>Control Parameter Data Types in the Generated Code .....</b>	<b>6-62</b>
Tunable Parameter Data Type Considerations .....	6-67
<b>Control Parameter Representation and Declare Tunable Parameters in the Generated Code .....</b>	<b>6-70</b>
Tunable Parameter Storage Classes .....	6-70
Parameter Objects for Code Generation .....	6-72
Create and Configure Parameter Object for Code Generation .....	6-72
Programmatically Create and Configure Parameter Object for Code Generation .....	6-73
Declare Workspace Variables as Tunable Parameters Using the Model Parameter Configuration Dialog Box .....	6-74
Set Tunable Parameter Minimum and Maximum Values .....	6-77
Tunable Parameters in the Generated Code for Referenced Models .....	6-77
Interfaces for Tuning Parameters .....	6-78
Linear Block Parameter Tunability .....	6-78
<b>Parameter Object Configuration Quick Reference Diagram .....</b>	<b>6-80</b>
<b>Switch Between Sets of Parameter Values During Simulation and Code Execution .....</b>	<b>6-82</b>
<b>Signal Representation in Generated Code .....</b>	<b>6-92</b>
Signal Storage Concepts .....	6-93

Signals with Auto Storage Class .....	6-95
Signals with Test Points .....	6-97
Symbolic Naming Conventions for Signals .....	6-98
Summary of Signal Storage Class Options .....	6-99
Interfaces for Monitoring Signals .....	6-100
Share Data Between Code Generated from Simulink, Stateflow, and MATLAB .....	6-100
<b>Control Signals and States in Code by Applying Storage</b>	
<b>Classes</b> .....	6-103
Storage Classes for Signals and States .....	6-104
Signal Objects for Code Generation .....	6-107
Create and Configure Signal Object for Code Generation .....	6-107
Programmatically Create and Configure Signal Object for Code Generation .....	6-108
Apply Storage Classes Directly to Signal Lines and Block States .....	6-109
Programmatically Apply Storage Classes Directly to Signals and States .....	6-109
Resolve Conflicts in Configuration of Signal Objects .	6-110
<b>Group Signals into Structures in the Generated Code</b>	
<b>Using Buses</b> .....	6-113
Import or Export Structure Variable and Definition .	6-113
Model Data Specifications with Bus Signals .....	6-115
<b>Generate Efficient Code for Bus Signals</b> .....	6-117
Code Efficiency for Bus Signals .....	6-117
Set Bus Diagnostics .....	6-118
Optimize Virtual and Nonvirtual Buses .....	6-118
<b>Maximize Signal Storage Optimization</b> .....	6-121
<b>Control Signal and State Initialization in the Generated</b>	
<b>Code</b> .....	6-122
Signal and State Initialization in the Generated Code	6-122
Generate Tunable Initial Conditions .....	6-124
Generate Tunable Initial Condition Structure for Bus Signal .....	6-127
<b>Continuous Block State Naming in Generated Code</b> .	6-133
Default Block State Naming Convention .....	6-133

Define User Block State Names .....	6-134
<b>Discrete Block State Naming in Generated Code ...</b>	<b>6-135</b>
Default Block State Naming Convention .....	6-136
Define User Block State Names .....	6-137
<b>Signal Processing with Fixed-Point Data .....</b>	<b>6-140</b>
<b>Optimize Generated Code Using Fixed-Point Data with     Simulink®, Stateflow®, and MATLAB® .....</b>	<b>6-142</b>

## Data Definition and Declaration Management

# 7

Overview of Data Objects .....	7-2
Define Global Data Objects in Separate File .....	7-3
Define Global Data Objects in Separate Files .....	7-4

## Data Types

# 8

<b>What Are User-Defined Data Types? .....</b>	<b>8-2</b>
Define Abstract Numeric Types and Rename Types ....	8-2
<b>Control File Placement of User-Defined Types .....</b>	<b>8-5</b>
Data Scope and Header File .....	8-5
Macro Guards .....	8-6
<b>Create and Apply User-Defined Data Types .....</b>	<b>8-8</b>
<b>Create Data Type Alias in the Generated Code .....</b>	<b>8-11</b>
<b>Create a Named Fixed-Point Data Type in the Generated     Code .....</b>	<b>8-16</b>

<b>Use single Data Type as Default for Underspecified Types</b> .....	<b>8-19</b>
<b>Specify Persistence Level for Signals and Parameters</b>	<b>8-22</b>
<b>Register mpt User Object Types</b> .....	<b>8-25</b>
Introduction .....	<b>8-25</b>
Register mpt User Object Types Using sl_customization.m .....	<b>8-25</b>
mpt User Object Type Customization Using sl_customization.m .....	<b>8-27</b>
<b>Data Type Replacement</b> .....	<b>8-29</b>
Replace Names of Built-In Types in Code .....	<b>8-29</b>
Replace Built-In Data Types .....	<b>8-33</b>
Programmatically Replace Built-In Data Types .....	<b>8-37</b>
Data Type Replacement Limitations .....	<b>8-38</b>
<b>Specify Boolean and Data Type Limit Identifiers</b> ....	<b>8-40</b>
Data Type Limit Identifiers .....	<b>8-40</b>
Boolean Identifiers .....	<b>8-41</b>
Boolean and Data Type Limit Identifier Header Files .	<b>8-41</b>

## Module Packaging Tool (MPT) Data Objects

### 9

<b>MPT Data Object Properties</b> .....	<b>9-2</b>
---	------------

## Custom Storage Classes

### 10

<b>Introduction to Custom Storage Classes</b> .....	<b>10-2</b>
Custom Storage Class Memory Sections .....	<b>10-3</b>
Custom Storage Classes and Data Class Packages ...	<b>10-3</b>
Custom Storage Class Examples .....	<b>10-3</b>
<b>Simulink Package Custom Storage Classes</b> .....	<b>10-5</b>

<b>Design Custom Storage Classes and Memory</b>	
<b>Sections</b>	<b>10-9</b>
Resources for Defining Custom Storage Classes	10-9
Create Packages for Custom Storage Class Definitions	10-10
Use Custom Storage Class Designer	10-10
Edit Custom Storage Class Properties	10-16
Use Custom Storage Class References	10-22
Protect Custom Storage Class Definitions	10-26
Import Externally Defined Parameters into Simulink	10-27
Create and Edit Memory Section Definitions	10-29
Use Memory Section References	10-32
<b>Control Data Representation by Applying Custom</b>	
<b>Storage Classes</b>	<b>10-35</b>
Apply a Custom Storage Class from the Simulink	
Package Using Data Objects	10-36
Create and Apply Your Own Custom Storage Class Using	
Data Objects	10-37
Apply Custom Storage Classes Directly to Signal Lines	
and Block States	10-38
Apply Custom Storage Classes Directly to Signals and	
States Using Embedded Signal Objects	10-39
Specify Instance-Specific Attributes	10-41
Generate Code with Custom Storage Classes	10-43
Declare and Interface with Data Using Custom Storage	
Classes	10-45
Custom Storage Class Limitations	10-46
<b>Control Data Code by Creating Custom Storage Class</b>	<b>10-48</b>
Explore Example Model	10-48
Create Data Class Package	10-48
Create Custom Storage Class	10-49
Apply Custom Storage Class	10-50
Generate Code	10-51
<b>Define Advanced Custom Storage Classes Types</b>	<b>10-53</b>
Introduction	10-53
Create Your Own Parameter and Signal Classes	10-53
Create Custom Attributes Classes for Custom Storage	
Classes	10-53
Write TLC Code for Custom Storage Classes	10-54
Register Custom Storage Class Definitions	10-54
Custom Storage Class Implementation	10-56



<b>Access Data Through Functions with Custom Storage</b>	
<b>Class GetSet</b> .....	10-58
Access Legacy Data Using Get and Set Functions ..	10-58
Use GetSet with Vector Data .....	10-61
Use GetSet with Structured Data .....	10-65
Use GetSet with Matrix Data .....	10-70
Specify Header File or Function Naming Scheme for All Data Items .....	10-75
GetSet Custom Storage Class Restrictions .....	10-76

## Data Object Wizard

# 11

<b>Create Data Objects for Code Generation with Data Object Wizard</b> .....	11-2
Create and Configure Data Objects for Code Generation .....	11-2
Create Data Objects Using Data Object Wizard .....	11-6

## Function and Class Interfaces

# 12

<b>Control Generation of Function Prototypes</b> .....	12-2
About Function Prototype Control .....	12-2
Configure Function Prototypes Using Graphical Interfaces .....	12-3
Sample Procedure for Configuring Function Prototypes .....	12-11
Configure Function Prototypes Programmatically ..	12-16
Sample Script for Configuring Function Prototypes ..	12-20
Verify Generated Code for Customized Functions ..	12-21
Function Prototype Control Limitations .....	12-21
<b>Control Generation of C++ Class Interfaces</b> .....	12-23
Simple Use of C++ Class Control .....	12-24
Customize C++ Class Interfaces Using Graphical Interfaces .....	12-30

Customize C++ Class Interfaces Programmatically . . .	12-45
Configure Step Method for Model Class . . . . .	12-47
Specify Custom Storage Class for C++ Class Code Generation . . . . .	12-48
Model Class Copy Constructor and Assignment Operator . . . . .	12-49
C++ Class Interface Control Limitations . . . . .	12-50
<b>Combine I/O Arguments in Model Step Interface . . .</b>	<b>12-53</b>
<b>Generate Modular Function Code . . . . .</b>	<b>12-56</b>
About Nonvirtual Subsystem Code Generation . . . . .	12-56
Configure Subsystem for Generating Modular Function Code . . . . .	12-57
Modular Function Code for Nonvirtual Subsystems . .	12-62
Nonvirtual Subsystem Modular Function Code Limitations . . . . .	12-68

## Memory Sections

# 13

<b>Control Data and Function Placement in Memory by Inserting Pragmas . . . . .</b>	<b>13-2</b>
Define Memory Sections . . . . .	13-3
Apply Memory Sections . . . . .	13-6
Generated Code with Memory Sections . . . . .	13-13
Insert Pragmas for Functions and Data in Generated Code . . . . .	13-16
<b>Declare Constant Data as Volatile Using Memory Sections . . . . .</b>	<b>13-18</b>

<b>Configure Model for Code Generation Objectives Using Code Generation Advisor</b> . . . . .	<b>14-2</b>
High-Level Code Generation Objectives . . . . .	14-3
Specify Objectives in Referenced Models . . . . .	14-4
Configure Model Using Code Generation Advisor . . . . .	14-4
Configure Model for Code Generation Objectives Using Configuration Parameters Dialog Box . . . . .	14-7
<b>Configure Code Generation Objectives Programmatically</b> . . . . .	<b>14-9</b>
<b>Check Model and Configuration for Code Generation</b> . . . . .	<b>14-10</b>
Check Model During Code Generation . . . . .	14-11
<b>Embedded Coder Model Advisor Checks for Standards, Guidelines, and Code Efficiency</b> . . . . .	<b>14-12</b>
<b>Create Custom Code Generation Objectives</b> . . . . .	<b>14-14</b>
Specify Parameters in Custom Objectives . . . . .	14-14
Specify Checks in Custom Objectives . . . . .	14-15
Determine Checks and Parameters in Existing Objectives . . . . .	14-15
How to Create Custom Objectives . . . . .	14-16
<b>Configuration Variations</b> . . . . .	<b>14-20</b>
<b>Configure and Optimize Model with Configuration Wizard Blocks</b> . . . . .	<b>14-21</b>
Configuration Wizard Block Library . . . . .	14-21
Add a Configuration Wizard Block . . . . .	14-22
Use Configuration Wizard Blocks . . . . .	14-24
Create a Custom Configuration Wizard Block . . . . .	14-24
<b>Create a Model Configured for Code Generation Using Embedded Coder Templates</b> . . . . .	<b>14-31</b>

# 15

About System Target File Selection .....	15-2
Select an ERT System Target File .....	15-3
Customize an ERT System Target File .....	15-5
Configure Support for Numeric Data .....	15-6
Configure Support for Time Values .....	15-7
Support for Non-inlined S-Functions .....	15-8
Configure Model Function Generation and Argument Passing .....	15-9
Set Up Support for Code Reuse .....	15-11
Configure a Code Replacement Library .....	15-12

## Code Appearance

# 16

Add Custom Comments to Generated Code .....	16-3
Add Custom Comments for Variables in the Generated Code .....	16-5
Embed Handwritten Comments for Signals or Parameters .....	16-5
Generate Dynamic Comments Based on Data Properties .....	16-6
Add Global Comments .....	16-8
Use a Simulink DocBlock to Add a Comment .....	16-8
Use a Simulink Annotation to Add a Comment .....	16-11
Use a Stateflow Note to Add a Comment .....	16-11
Use Sorted Notes to Add Comments .....	16-12

<b>Specify Comment Style</b> .....	<b>16-14</b>
<b>Customize Generated Identifier Naming Rules</b> .....	<b>16-15</b>
Apply Naming Rules to Identifiers Globally .....	<b>16-15</b>
Apply Naming Rules to Simulink Data Objects .....	<b>16-16</b>
<b>Identifier Format Control</b> .....	<b>16-22</b>
Control Formatting of Identifiers .....	<b>16-24</b>
<b>Control Name Mangling in Generated Identifiers</b> ...	<b>16-26</b>
Minimize Name Mangling .....	<b>16-26</b>
<b>Avoid Identifier Name Collisions with Referenced Models</b> .....	<b>16-28</b>
Use Model Advisor to Detect Identifier Names Changed During Code Generation .....	<b>16-28</b>
<b>Maintain Traceability for Generated Identifiers</b> ....	<b>16-30</b>
<b>Exceptions to Identifier Formatting Conventions</b> ...	<b>16-31</b>
<b>Identifier Format Control Parameters Limitations</b> ..	<b>16-32</b>
<b>Control Code Style</b> .....	<b>16-34</b>
Control Parentheses in Generated Code .....	<b>16-35</b>
Control Indentation Style in Generated Code .....	<b>16-37</b>
Control Cast Expressions in Generated Code .....	<b>16-38</b>
<b>Customize Code Organization and Format</b> .....	<b>16-44</b>
Custom File Processing Components .....	<b>16-44</b>
Custom File Processing Configuration .....	<b>16-45</b>
<b>Specify Templates For Code Generation</b> .....	<b>16-46</b>
<b>Code Generation Template (CGT) Files</b> .....	<b>16-47</b>
Default CGT file .....	<b>16-47</b>
CGT File Structure .....	<b>16-47</b>
Built-In Tokens and Sections .....	<b>16-48</b>
Subsections .....	<b>16-50</b>
Format Generated Code Files Using Templates .....	<b>16-51</b>
<b>Custom File Processing (CFP) Templates</b> .....	<b>16-53</b>
Custom File Processing (CFP) Template Structure ..	<b>16-53</b>

<b>Change the Organization of a Generated File . . . . .</b>	<b>16-55</b>
<b>Generate Source and Header Files with a Custom File</b>	
<b>Processing (CFP) Template . . . . .</b>	<b>16-57</b>
Generate Code with a CFP Template . . . . .	16-57
Analysis of the Example CFP Template and Generated	
Code . . . . .	16-59
Generate a Custom Section . . . . .	16-62
Custom Tokens . . . . .	16-64
<b>Comparison of a Template and Its Generated File . .</b>	<b>16-65</b>
Template and Generated File . . . . .	16-66
<b>Code Template API Summary . . . . .</b>	<b>16-69</b>
<b>Generate Custom File and Function Banners . . . . .</b>	<b>16-72</b>
Create a Custom File and Function Banner Template	16-73
Customize a Code Generation Template (CGT) File for File	
and Function Banner Generation . . . . .	16-74
<b>Template Symbols and Rules . . . . .</b>	<b>16-80</b>
Introduction . . . . .	16-80
Template Symbol Groups . . . . .	16-80
Template Symbols . . . . .	16-83
Rules for Modifying or Creating a Template . . . . .	16-86
<b>Annotate Code for Justifying Polyspace Checks . . . .</b>	<b>16-88</b>
<b>Manage Placement of Data Definitions and</b>	
<b>Declarations . . . . .</b>	<b>16-90</b>
Overview of Data Placement . . . . .	16-90
Priority and Usage . . . . .	16-91
Ownership Settings . . . . .	16-96
Memory Section Settings . . . . .	16-97
Data Placement Rules . . . . .	16-97
Settings for a Data Object . . . . .	16-97
Data Placement Rules and Results . . . . .	16-105
<b>Specify Delimiter for #Includes . . . . .</b>	<b>16-116</b>
<b>Enhance Readability of Code for Flow Charts . . . . .</b>	<b>16-117</b>
Appearance of Generated Code for Flow Charts . . . . .	16-117

Convert If-Elseif-Else Code to Switch-Case Statements . . . . .	16-122
Example of Converting Code to Switch-Case Statements . . . . .	16-124
<b>Generate Inlined Subsystem Code . . . . .</b>	<b>16-133</b>
Configure Subsystem to Inline Code . . . . .	16-133
Exceptions to Inlining . . . . .	16-134
See Also . . . . .	16-134

## Internationalization Support

# 17

<b>Internationalization and Code Generation . . . . .</b>	<b>17-2</b>
Locale Settings . . . . .	17-2
Prepare to Generate Code for Mixed Languages and Locales . . . . .	17-2
XML Escape Sequence Replacements . . . . .	17-3
Character Set Limitations . . . . .	17-4
<b>Generate and Review Code with Mixed Languages and Mixed Locales . . . . .</b>	<b>17-5</b>

## Source Code Generation

# 18

<b>Generate Code Using Embedded Coder® . . . . .</b>	<b>18-2</b>
<b>Generate Code with the Embedded Coder Quick Start Tool . . . . .</b>	<b>18-10</b>
Quick Start Model Analysis . . . . .	18-10
Configuration Parameter Changes for Models with a Configuration Reference . . . . .	18-12
Next Steps . . . . .	18-12
<b>Generate Code Modules . . . . .</b>	<b>18-14</b>
Introduction . . . . .	18-14

Generated Code Modules . . . . .	18-14
User-Written Code Modules . . . . .	18-17
Customize Generated Code Modules . . . . .	18-17
<b>Generate Reentrant Code from Top-Level Models . . .</b>	<b>18-20</b>

## Report Generation

# 19

<b>Reports for Code Generation . . . . .</b>	<b>19-2</b>
<b>HTML Code Generation Report Extensions . . . . .</b>	<b>19-3</b>
<b>HTML Code Generation Report Location . . . . .</b>	<b>19-5</b>
<b>HTML Code Generation Report for Referenced Models . . . . .</b>	<b>19-6</b>
<b>Search Code Generation Report . . . . .</b>	<b>19-7</b>
<b>Generate a Code Generation Report . . . . .</b>	<b>19-8</b>
<b>Generate Code Generation Report After Build Process . . . . .</b>	<b>19-9</b>
<b>Open Code Generation Report . . . . .</b>	<b>19-11</b>
Limitation . . . . .	19-11
<b>Generate Code Generation Report Programmatically</b>	<b>19-13</b>
<b>View Code Generation Report in Model Explorer . . .</b>	<b>19-14</b>
<b>Package and Share the Code Generation Report . . . .</b>	<b>19-16</b>
Package the Code Generation Report . . . . .	19-16
View the Code Generation Report . . . . .	19-17
<b>Traceability in Code Generation Report . . . . .</b>	<b>19-18</b>
<b>View Code Metrics and Definitions in the Generated Code . . . . .</b>	<b>19-20</b>



<b>Web View of Model in Code Generation Report</b> . . . . .	<b>19-21</b>
About Model Web View . . . . .	<b>19-21</b>
Generate HTML Code Generation Report with Model Web View . . . . .	<b>19-21</b>
Model Web View Limitations . . . . .	<b>19-24</b>
<b>Analyze the Generated Code Interface</b> . . . . .	<b>19-25</b>
Code Interface Report Overview . . . . .	<b>19-25</b>
Generating a Code Interface Report . . . . .	<b>19-26</b>
Navigating Code Interface Report Subsections . . . . .	<b>19-28</b>
Interpreting the Entry Point Functions Subsection . . . . .	<b>19-29</b>
Interpreting the Inports and Outports Subsections . . . . .	<b>19-32</b>
Interpreting the Interface Parameters Subsection . . . . .	<b>19-34</b>
Interpreting the Data Stores Subsection . . . . .	<b>19-35</b>
Code Interface Report Limitations . . . . .	<b>19-36</b>
<b>Static Code Metrics</b> . . . . .	<b>19-38</b>
About Static Code Metrics . . . . .	<b>19-38</b>
Static Code Metrics Analysis . . . . .	<b>19-38</b>
<b>Generate Static Code Metrics Report for Simulink Model</b> . . . . .	<b>19-41</b>
<b>Generate a Static Code Metrics Report for MATLAB Code</b> . . . . .	<b>19-47</b>
Generate a Static Code Metrics Report Using the MATLAB Coder App . . . . .	<b>19-47</b>
Enable a Static Code Metrics Report at the Command Line . . . . .	<b>19-52</b>
<b>Analyze Code Replacements in the Generated Code</b> . . . . .	<b>19-54</b>
<b>Document Generated Code with Simulink Report Generator</b> . . . . .	<b>19-56</b>
Generate Code for the Model . . . . .	<b>19-57</b>
Open the Report Generator . . . . .	<b>19-57</b>
Set Report Name, Location, and Format . . . . .	<b>19-59</b>
Include Models and Subsystems in a Report . . . . .	<b>19-60</b>
Customize the Report . . . . .	<b>19-61</b>
Generate the Report . . . . .	<b>19-62</b>

<b>What Is Code Replacement?</b> .....	20-2
<b>Code You Can Replace From Simulink Models</b> .....	20-4
About Code You Can Replace .....	20-4
Math Functions – Simulink Support .....	20-4
Math Functions – Stateflow Support .....	20-10
Memory Functions .....	20-15
Nonfinite Functions .....	20-16
Mutex and Semaphore Functions .....	20-17
Lookup Table Functions .....	20-18
Operators .....	20-18
<b>Code Replacement Libraries</b> .....	20-23
<b>Code Replacement Terminology</b> .....	20-25
<b>Code Replacement Limitations</b> .....	20-28
<b>Replace Code Generated from Simulink Models</b> ....	20-29
<b>Choose a Code Replacement Library</b> .....	20-32
About Choosing a Code Replacement Library .....	20-32
Explore Available Code Replacement Libraries .....	20-32
Explore Code Replacement Library Contents .....	20-32

## Deployment

<b>Package Generated Code as Shared Object Libraries</b> .	21-2
About Host-Based Shared Libraries .....	21-2
Generate Shared Library Version of Model Code .....	21-2
Create Application Code to Use Shared Library .....	21-3

## Real-Time and Embedded Systems

# 22

<b>Deploy Generated Standalone Executables To Target Hardware</b> . . . . .	<b>22-2</b>
Generate a Standalone Program . . . . .	22-2
Standalone Program Components . . . . .	22-3
Main Program . . . . .	22-3
rt_OneStep and Scheduling Considerations . . . . .	22-4
Static Main Program Module . . . . .	22-10
Rate Grouping Compliance and Compatibility Issues . . . . .	22-17
<b>Deploy Generated Embedded System Software to Application Target Platforms</b> . . . . .	<b>22-22</b>
Automate Interaction Between IDE Link Component and Texas Instruments™ (TI) Code Composer Studio™ (CCS) . . . . .	22-22
Read From and Write To DSP Target Using RTDX™ Component of IDE Link Component . . . . .	22-23
Build Executables for Multiprocessor Platform Using IDE Link Component . . . . .	22-24
Interface to an Example Real-Time Operating System (VxWorks®) . . . . .	22-24
Multirate Modeling in Multitasking Mode (VxWorks® OS) . . . . .	22-26

## Export Code Generated from Model to External Application

# 23

<b>Export Function-Call Subsystems</b> . . . . .	<b>23-2</b>
Exporting Function-Call Subsystems . . . . .	23-2
Requirements for Exporting Function-Call Subsystems . . . . .	23-3
Techniques for Exporting Function-Call Subsystems . . . . .	23-5

Optimize Exported Function-Call Subsystems . . . . .	23-7
Export Functions That Depend on Elapsed Time . . . . .	23-7
Generate Code for Functions Exported to a Larger System . . . . .	23-8
Function-Call Subsystems Export Limitations . . . . .	23-14
<b>Control Generation of Function Prototypes . . . . .</b>	<b>23-16</b>
<b>Control Generation of C++ Class Interfaces . . . . .</b>	<b>23-18</b>

## Code Replacement Customization for Simulink Models

# 24

<b>What Is Code Replacement Customization? . . . . .</b>	<b>24-3</b>
<b>Code You Can Replace From Simulink Models . . . . .</b>	<b>24-4</b>
Math Functions – Simulink Support . . . . .	24-4
Math Functions – Stateflow Support . . . . .	24-10
Memory Functions . . . . .	24-15
Nonfinite Functions . . . . .	24-16
Mutex and Semaphore Functions . . . . .	24-17
Operators . . . . .	24-18
<b>Code Replacement Match and Replacement Process . . . . .</b>	<b>24-22</b>
<b>Code Replacement Customization Limitations . . . . .</b>	<b>24-23</b>
<b>Develop a Code Replacement Library . . . . .</b>	<b>24-26</b>
<b>Quick Start Library Development . . . . .</b>	<b>24-27</b>
<b>Identify Code Replacement Requirements . . . . .</b>	<b>24-37</b>
Mapping Information Requirements . . . . .	24-37
Build Information Requirements . . . . .	24-38
Registration Information Requirements . . . . .	24-38
<b>Prepare for Code Replacement Library Development . . . . .</b>	<b>24-40</b>

<b>Define Code Replacement Mappings</b> .....	<b>24-42</b>
Choose an Approach for Defining Code Replacement Mappings .....	<b>24-42</b>
Define Mappings Interactively with the Code Replacement Tool .....	<b>24-43</b>
Define Mappings Programmatically .....	<b>24-46</b>
<b>Specify Build Information for Replacement Code</b> ...	<b>24-59</b>
Build Information .....	<b>24-59</b>
Choose an Approach for Specifying Build Information	<b>24-59</b>
Specify Build Information Interactively with the Code Replacement Tool .....	<b>24-60</b>
Specify Build Information Programmatically .....	<b>24-62</b>
<b>Register Code Replacement Mappings</b> .....	<b>24-68</b>
Choose an Approach for Creating the Registration File	<b>24-68</b>
Create Registration File Interactively with the Code Replacement Tool .....	<b>24-69</b>
Create Registration File Programmatically .....	<b>24-71</b>
Register a Code Replacement Library .....	<b>24-73</b>
Register a Library that Includes Multiple Code Replacement Tables .....	<b>24-73</b>
Registration Files That Define Code Replacement Library Hierarchies .....	<b>24-74</b>
<b>Troubleshoot Code Replacement Library     Registration</b> .....	<b>24-76</b>
<b>Code Replacement Hits and Misses</b> .....	<b>24-77</b>
<b>Verify Code Replacements</b> .....	<b>24-78</b>
Validate Table Definition File .....	<b>24-78</b>
Review Library Content .....	<b>24-78</b>
Review Table Content .....	<b>24-80</b>
Review Code Replacements .....	<b>24-83</b>
<b>Troubleshoot Code Replacement Misses</b> .....	<b>24-88</b>
Miss Reason Messages .....	<b>24-88</b>
Analyze and Correct Code Replacement Misses .....	<b>24-89</b>
<b>Deploy Code Replacement Library</b> .....	<b>24-96</b>
<b>Math Function Code Replacement</b> .....	<b>24-97</b>

<b>Memory Function Code Replacement</b> .....	<b>24-99</b>
<b>Nonfinite Function Code Replacement</b> .....	<b>24-102</b>
<b>Semaphore and Mutex Function Replacement</b> .....	<b>24-105</b>
<b>Algorithm-Based Code Replacement</b> .....	<b>24-112</b>
<b>Lookup Table Function Code Replacement</b> .....	<b>24-115</b>
Lookup Table Algorithm Replacement .....	<b>24-115</b>
Lookup Table Function Signatures .....	<b>24-115</b>
Interactive Mapping with Code Replacement Tool ..	<b>24-121</b>
Programmatic Specification .....	<b>24-126</b>
Sample Code Replacement Definition for the lookup2D Function .....	<b>24-133</b>
<b>Data Alignment for Code Replacement</b> .....	<b>24-136</b>
Code Replacement Data Alignment .....	<b>24-136</b>
Specify Data Alignment Requirements for Function Arguments .....	<b>24-136</b>
Provide Data Alignment Specifications for Compilers	<b>24-138</b>
Basic Example of Code Replacement Data Alignment	<b>24-143</b>
<b>Replace MATLAB Functions with Custom Code Using     coder.replace</b> .....	<b>24-147</b>
<b>Replace <code>coder.ceval</code> Calls to External Functions</b> ..	<b>24-149</b>
Example Files .....	<b>24-149</b>
Interactive External Function Call Replacement Specification with Code Replacement Tool .....	<b>24-151</b>
Programmatic External Function Call Replacement Specification .....	<b>24-152</b>
<b>Replace MATLAB Functions Specified in MATLAB     Function Blocks</b> .....	<b>24-155</b>
<b>Reserved Identifiers and Code Replacement</b> .....	<b>24-159</b>
<b>Customize Match and Replacement Process</b> .....	<b>24-161</b>
<b>Customize Code Match and Replacement for     Functions</b> .....	<b>24-163</b>

<b>Scalar Operator Code Replacement</b> .....	<b>24-167</b>
<b>Addition and Subtraction Operator Code Replacement</b> .....	<b>24-170</b>
Algorithm Options .....	<b>24-170</b>
Interactive Specification with Code Replacement Tool .....	<b>24-171</b>
Programmatic Specification .....	<b>24-171</b>
Algorithm Classification .....	<b>24-171</b>
Limitations .....	<b>24-173</b>
<b>Small Matrix Operation to Processor Code Replacement</b> .....	<b>24-175</b>
<b>Matrix Multiplication Operation to MathWorks BLAS Code Replacement</b> .....	<b>24-180</b>
<b>Matrix Multiplication Operation to ANSI/ISO C BLAS Code Replacement</b> .....	<b>24-188</b>
<b>Remap Operator Output to Function Input</b> .....	<b>24-195</b>
<b>Fixed-Point Operator Code Replacement</b> .....	<b>24-198</b>
Common Ways to Match Fixed-Point Operator Entries .....	<b>24-198</b>
Fixed-Point Numbers and Arithmetic .....	<b>24-202</b>
Addition .....	<b>24-202</b>
Subtraction .....	<b>24-203</b>
Multiplication .....	<b>24-203</b>
Division .....	<b>24-204</b>
Data Type Conversion (Cast) .....	<b>24-205</b>
Shift .....	<b>24-205</b>
<b>Binary-Point-Only Scaling Code Replacement</b> .....	<b>24-208</b>
<b>Slope Bias Scaling Code Replacement</b> .....	<b>24-212</b>
<b>Net Slope Scaling Code Replacement</b> .....	<b>24-216</b>
Multiplication and Division with Saturation .....	<b>24-216</b>
Multiplication and Division with Rounding Mode and Additional Implementation Arguments .....	<b>24-219</b>
<b>Equal Slope and Zero Net Bias Code Replacement</b> .	<b>24-224</b>

<b>Data Type Conversions (Casts) and Operator Code Replacement</b> .....	24-228
Casts from int32 To int16 .....	24-228
Casts Using Net Slope .....	24-229
<b>Shift Left Operations and Code Replacement</b> .....	24-233
Shift Lefts for int16 Data .....	24-233
Shift Lefts Using Net Slope .....	24-234
<b>Customize Code Match and Replacement for Scalar Operations</b> .....	24-238
<b>Customize Code Match and Replacement for Non-scalar Operations</b> .....	24-244

## Code Replacement Customization for MATLAB Code

# 25

<b>What Is Code Replacement Customization?</b> .....	25-3
<b>Code You Can Replace from MATLAB Code</b> .....	25-4
Math Functions .....	25-4
Memory Functions .....	25-9
Operators .....	25-9
<b>Code Replacement Match and Replacement Process</b> .....	25-14
<b>Code Replacement Customization Limitations</b> .....	25-15
<b>Develop a Code Replacement Library</b> .....	25-16
<b>Quick Start Library Development</b> .....	25-17
<b>Identify Code Replacement Requirements</b> .....	25-27
Mapping Information Requirements .....	25-37
Build Information Requirements .....	25-38
Registration Information Requirements .....	25-38



<b>Prepare for Code Replacement Library Development</b>	<b>25-30</b>
<b>Define Code Replacement Mappings</b>	<b>25-31</b>
Choose an Approach for Defining Code Replacement Mappings	25-42
Define Mappings Interactively with the Code Replacement Tool	25-43
Define Mappings Programmatically	25-46
<b>Specify Build Information for Replacement Code</b>	<b>25-48</b>
Build Information	25-59
Choose an Approach for Specifying Build Information	25-59
Specify Build Information Interactively with the Code Replacement Tool	25-60
Specify Build Information Programmatically	25-62
<b>Register Code Replacement Mappings</b>	<b>25-57</b>
Choose an Approach for Creating the Registration File	25-57
Create Registration File Interactively with the Code Replacement Tool	25-58
Create Registration File Programmatically	25-60
Register a Code Replacement Library	25-62
Registration Files That Define Multiple Code Replacement Libraries	25-62
Registration Files That Define Code Replacement Library Hierarchies	25-63
<b>Troubleshoot Code Replacement Library Registration</b>	<b>25-65</b>
<b>Code Replacement Hits and Misses</b>	<b>25-66</b>
<b>Review and Test Code Replacements</b>	<b>25-67</b>
Validate a Table Definition File	25-67
Review Library Content	25-67
Review Table Content	25-69
Review Code Replacements	25-72
<b>Troubleshoot Code Replacement Misses</b>	<b>25-76</b>
Miss Reason Messages	25-76
Analyze and Correct Code Replacement Misses	25-77
<b>Deploy Code Replacement Library</b>	<b>25-84</b>

<b>Math Function Code Replacement</b> .....	<b>25-85</b>
<b>Memory Function Code Replacement</b> .....	<b>25-87</b>
<b>Specify In-Place Code Replacement</b> .....	<b>25-89</b>
Argument Specification Requirements .....	<b>25-89</b>
Interactive Argument Replacement Specification with Code Replacement Tool .....	<b>25-89</b>
Programmatic Argument Replacement Specification .	<b>25-93</b>
<b>Replace MATLAB Functions with Custom Code Using     coder.replace</b> .....	<b>25-96</b>
<b>Replace coder.ceval Calls to External Functions</b> ....	<b>25-97</b>
Example Files .....	<b>25-97</b>
Interactive External Function Call Replacement Specification with Code Replacement Tool .....	<b>25-99</b>
Programmatic External Function Call Replacement Specification .....	<b>25-100</b>
<b>Reserved Identifiers and Code Replacement</b> .....	<b>25-103</b>
<b>Customize Match and Replacement Process</b> .....	<b>25-105</b>
<b>Scalar Operator Code Replacement</b> .....	<b>25-107</b>
<b>Addition and Subtraction Operator Code     Replacement</b> .....	<b>25-109</b>
Algorithm Options .....	<b>25-109</b>
Interactive Specification with Code Replacement Tool	<b>25-110</b>
Programmatic Specification .....	<b>25-110</b>
Algorithm Classification .....	<b>25-110</b>
Limitations .....	<b>25-112</b>
<b>Small Matrix Operation to Processor Code     Replacement</b> .....	<b>25-114</b>
<b>Matrix Multiplication Operation to MathWorks BLAS     Code Replacement</b> .....	<b>25-118</b>
<b>Matrix Multiplication Operation to ANSI/ISO C BLAS     Code Replacement</b> .....	<b>25-125</b>

<b>Remap Operator Output to Function Input</b> . . . . .	<b>25-132</b>
<b>Fixed-Point Operator Code Replacement</b> . . . . .	<b>25-135</b>
Common Ways to Match Fixed-Point Operator Entries	<b>25-135</b>
Fixed-Point Numbers and Arithmetic . . . . .	<b>25-139</b>
Addition . . . . .	<b>25-139</b>
Subtraction . . . . .	<b>25-140</b>
Multiplication . . . . .	<b>25-140</b>
Division . . . . .	<b>25-141</b>
Data Type Conversion (Cast) . . . . .	<b>25-142</b>
Shift . . . . .	<b>25-142</b>
<b>Binary-Point-Only Scaling Code Replacement</b> . . . . .	<b>25-144</b>
<b>Slope Bias Scaling Code Replacement</b> . . . . .	<b>25-147</b>
<b>Net Slope Scaling Code Replacement</b> . . . . .	<b>25-150</b>
Multiplication and Division with Saturation . . . . .	<b>25-150</b>
Multiplication and Division with Rounding Mode and Additional Implementation Arguments . . . . .	<b>25-153</b>
<b>Equal Slope and Zero Net Bias Code Replacement</b> . . . . .	<b>25-157</b>
<b>Data Type Conversions (Casts) and Operator Code     Replacement</b> . . . . .	<b>25-160</b>
<b>Shift Left Operations and Code Replacement</b> . . . . .	<b>25-165</b>
<b>Customize Match and Replacement Process for     Operators</b> . . . . .	<b>25-170</b>

## Optimizations for Generated Code in Simulink Coder

### 26

<b>Optimization Parameters for Code Generation</b> . . . . .	<b>26-3</b>
Basic Optimization Parameters . . . . .	<b>26-3</b>
Optimization Parameter Dependencies . . . . .	<b>26-4</b>
<b>Design Tips for Optimizing Generated Code for Stateflow Objects</b> . . . . .	<b>26-6</b>
Do Not Access Machine-Parented Data In a Graphical Function . . . . .	<b>26-6</b>
Be Explicit About the Inline Option of a Graphical Function . . . . .	<b>26-6</b>
Avoid Using Multiple Edge-Triggered Events in Stateflow Charts . . . . .	<b>26-6</b>
Combine Input Signals of a Chart Into a Single Bus Object . . . . .	<b>26-6</b>
Use Charts with Discrete Sample Times . . . . .	<b>26-7</b>
<b>Control Compiler Optimizations</b> . . . . .	<b>26-8</b>
<b>Optimization Tools and Techniques</b> . . . . .	<b>26-9</b>
<b>Control Memory Allocation for Time Counters</b> . . . . .	<b>26-11</b>
<b>Execution Profiling for Generated Code</b> . . . . .	<b>26-12</b>
<b>Optimize Generated Code by Combining Multiple for Constructs</b> . . . . .	<b>26-15</b>
<b>Subnormal Number Performance</b> . . . . .	<b>26-18</b>
Simulation Time With and Without Subnormal Numbers . . . . .	<b>26-19</b>
Flush Subnormal Numbers to Zero . . . . .	<b>26-20</b>

<b>Remove Code From Floating-Point to Integer</b>	
<b>Conversions That Wraps Out-of-Range Values</b> . . . .	26-23
Example Model . . . . .	26-23
Generate Code Without Optimization . . . . .	26-24
Generate Code with Optimization . . . . .	26-25
<b>Remove Code That Maps NaN to Integer Zero</b> . . . . .	26-26
Example Model . . . . .	26-26
Generate Code . . . . .	26-27
Generate Code with Optimization . . . . .	26-28
<b>Disable Nonfinite Checks or Inlining for Math</b>	
<b>Functions</b> . . . . .	26-29
<b>Minimize Computations and Storage for Intermediate</b>	
<b>Results at Block Outputs</b> . . . . .	26-35
Expression Folding . . . . .	26-35
Example Model . . . . .	26-35
Generate Code . . . . .	26-36
Enable Optimization . . . . .	26-36
Generate Code with Optimization . . . . .	26-37
<b>Inline Invariant Signals</b> . . . . .	26-38
Optimize Generated Code Using Inline Invariant	
Signals . . . . .	26-38
<b>Inline Numeric Values of Block Parameters</b> . . . . .	26-41
<b>Configure Loop Unrolling Threshold</b> . . . . .	26-47
<b>Optimize Code Generated for Vector Assignments</b> . .	26-49
Example Model . . . . .	26-50
Generate Code . . . . .	26-51
Generate Code with Optimization . . . . .	26-51
<b>Generate Target Optimizations Within Algorithm</b>	
<b>Code</b> . . . . .	26-53
<b>Remove Code for Blocks That Have No Effect on</b>	
<b>Computational Results</b> . . . . .	26-55
<b>Eliminate Dead Code Paths in Generated Code</b> . . . . .	26-58

<b>Floating-Point Multiplication to Handle a Net Slope Correction</b> .....	<b>26-61</b>
<b>Use Conditional Input Branch Execution</b> .....	<b>26-64</b>
<b>Optimize Generated Code for Complex Signals</b> .....	<b>26-69</b>
<b>Speed Up Linear Algebra in Code Generated from a MATLAB Function Block</b> .....	<b>26-71</b>
Specify LAPACK Library .....	<b>26-71</b>
Write LAPACK Callback Class .....	<b>26-71</b>
Generate LAPACK Calls by Specifying a LAPACK Callback Class .....	<b>26-72</b>
Locate LAPACK Library in Execution Environment ..	<b>26-73</b>
<b>Optimize Memory Usage for Time Counters</b> .....	<b>26-75</b>
<b>Minimize Memory Requirements During Code Generation</b> .....	<b>26-80</b>
<b>Optimize Generated Code Using Boolean Data for Logical Signals</b> .....	<b>26-81</b>
<b>Reduce Memory Usage for Boolean and State Configuration Variables</b> .....	<b>26-84</b>
<b>Customize Stack Space Allocation</b> .....	<b>26-85</b>
<b>Optimize Generated Code Using <code>memset</code> Function</b> ..	<b>26-86</b>
<b>Vector Operation Optimization</b> .....	<b>26-90</b>
<b>Enable and Reuse Local Block Outputs in Generated Code</b> .....	<b>26-93</b>
Example Model .....	<b>26-93</b>
Generate Code Without Optimization .....	<b>26-94</b>
Enable Local Block Outputs and Generate Code .....	<b>26-94</b>
Reuse Local Block Outputs and Generate Code .....	<b>26-95</b>

**27**

<b>Configure Code Optimizations</b> .....	27-2
<b>Specify Global Variable Localization</b> .....	27-5
<b>Set Hardware Implementation Parameters</b> .....	27-6
<b>Use External Mode with the ERT Target</b> .....	27-7
Memory Management .....	27-7
Generation of Pure Integer Code with External Mode .	27-8

Code Execution Profiling

**28**

<b>Code Execution Profiling for SIL and PIL</b> .....	28-2
<b>Configure Code Execution Profiling for SIL and PIL</b> .	28-4
<b>Execution Profiling for Atomic Subsystems and Model Reference Hierarchies</b> .....	28-6
<b>View and Compare Code Execution Times</b> .....	28-8
<b>Analyze Code Execution Data</b> .....	28-15
<b>Tips and Limitations</b> .....	28-17
Triggered Model Block .....	28-17
Outliers in Execution Time Profiles .....	28-17
Hardware-Specific Timer .....	28-19
Task Context Switching Due to Preemption .....	28-19
Data Type Replacement Support .....	28-20
Subsystem Code Reuse .....	28-20
Cannot Load Execution Time Measurements from Previous Release .....	28-20

## Code Execution Profiling for MATLAB Coder

### 29

<b>Execution Time Profiling for SIL and PIL</b> .....	29-2
<b>Generate Execution Time Profile</b> .....	29-3
<b>View Execution Times</b> .....	29-4
<b>Analyze Execution Time Data</b> .....	29-7
Extract Execution Time Data for Kalman Estimator Code .....	29-7

## Data Copy Reduction

### 30

<b>Optimize Global Variable Usage</b> .....	30-2
Minimize Global Data Access .....	30-2
Use Global to Hold Temporary Results .....	30-7
<b>Reuse Global Block Outputs in the Generated Code</b> .	30-11
Reuse Global Block Outputs .....	30-11
<b>Virtualized Output Ports Optimization</b> .....	30-14
<b>Signal Reuse for Root-Level Model Inputs and Outputs</b> .....	30-16
Reuse Root-Level I/O Signals .....	30-16
<b>Buffer Reuse for Model Block Boundary and Unit Delay</b> .....	30-21
Signal Reuse for Model Block Boundary .....	30-21
Buffer Reuse for Unit Delay Block .....	30-22
<b>Buffer Reuse Around a Block or Subsystem Boundary</b> .....	30-24
Example .....	30-24
Specify a Simulink Signal Object for Reuse .....	30-24
Generate Code with Optimization .....	30-25



Reduce Memory Requirements for Signals . . . . .	31-2
Remove Initialization Code . . . . .	31-3
Eliminate Zero Initialization Code for Internal Data . . . . .	31-4
Generate Pure Integer Code If Possible . . . . .	31-7
Disable MAT-File Logging . . . . .	31-8
Simplify Multiply Operations in Array Indexing . . . . .	31-9
Example Model . . . . .	31-9
Generate Code . . . . .	31-10
Generate Code with Optimization . . . . .	31-10
Replace <b>boolean</b> with Specific Integer Data Type . . . . .	31-13
Remove Code That Guards Against Division by Zero for Fixed-Point Data . . . . .	31-16
Division Arithmetic Exceptions in Generated Code . . . . .	31-19
Division by Zero . . . . .	31-19
INT_MIN/-1 . . . . .	31-19
Other Factors Affecting Generated Code of Division Operations . . . . .	31-20
Optimize Initialization Code for a Referenced Model . . . . .	31-21
Optimize Generated Code by Consolidating Redundant If-Else Statements . . . . .	31-25
Remove Initialization Code for Root-Level Inports and Outports Set to Zero . . . . .	31-30
Optimize Generated Code for Fixed-Point Data Operations . . . . .	31-33
Optimize Generated Code for a Processor By Using Code Replacement . . . . .	31-34

<b>Optimize Generated Code Using Minimum and Maximum Values</b> .....	<b>32-2</b>
Configure Your Model .....	32-2
Optimize Generated Code Using Specified Minimum and Maximum Values .....	32-3
Limitations .....	32-7
<b>Flat Structures for Reusable Subsystem Parameters</b> .	<b>32-9</b>
<b>Reduce Global Variables in Nonreusable Subsystem Functions</b> .....	<b>32-13</b>
Generate void-void Function .....	32-13
Generate Function with Arguments .....	32-14
<b>Optimize Generated Code By Packing Boolean Data Into Bitfields</b> .....	<b>32-16</b>
<b>Optimize Generated Code By Passing Reusable Subsystem Outputs as Individual Arguments</b> . . . .	<b>32-19</b>
<b>Optimize Memory Usage for Vector Signal Assignments</b> .....	<b>32-24</b>
Configure Model to Optimize Generated Code for Vector Signal Assignments .....	32-24
Example Model .....	32-24

## Verification

<b>What Is Code Tracing?</b> .....	<b>33-2</b>
Traceable Objects .....	33-2
Basic Workflow for Using Traceability .....	33-3

<b>Traceability Tags</b> .....	<b>33-5</b>
<b>Trace Code to Model Objects Using Hyperlinks</b> .....	<b>33-6</b>
<b>Trace Model Objects to Generated Code</b> .....	<b>33-8</b>
<b>Trace Stateflow Objects in Generated Code</b> .....	<b>33-11</b>
Bidirectional Traceability for States and Transitions .	<b>33-11</b>
Bidirectional Traceability for State Transition Tables	<b>33-13</b>
Bidirectional Traceability for Truth Table Blocks . . .	<b>33-16</b>
Bidirectional Traceability for Graphical Functions . . .	<b>33-18</b>
Code-to-Model Traceability for Events .....	<b>33-19</b>
Model-to-Code Traceability for Junctions .....	<b>33-20</b>
Format of Traceability Comments for Stateflow Objects .....	<b>33-21</b>
<b>Link Generated Code to Requirements</b> .....	<b>33-24</b>
<b>Reload Existing Traceability Information</b> .....	<b>33-29</b>
<b>Customize Traceability Reports</b> .....	<b>33-30</b>
<b>Generate a Traceability Matrix</b> .....	<b>33-32</b>
<b>Traceability Limitations</b> .....	<b>33-33</b>

## Component Verification

# 34

<b>Component Verification in the Target Environment</b> . .	<b>34-2</b>
<b>Goals of Component Verification</b> .....	<b>34-3</b>
<b>Maximizing Code Portability and Configurability</b> . . .	<b>34-4</b>
<b>Simplifying Code Integration and Maximizing Code Efficiency</b> .....	<b>34-5</b>
<b>Running Component Tests</b> .....	<b>34-6</b>

# Component Verification With a Real-Time Target Environment

## 35

About Real-Time Software Component Verification . . .	35-2
Real-Time Software Component Testing . . . . .	35-4

## Numerical Equivalence Checking

## 36

<b>About SIL and PIL Simulations . . . . .</b>	<b>36-3</b>
What are SIL and PIL Simulations? . . . . .	36-3
Why Use SIL and PIL . . . . .	36-4
How SIL and PIL Simulations Work . . . . .	36-5
Comparison of SIL and PIL Simulation . . . . .	36-6
<b>Choose a SIL or PIL Approach . . . . .</b>	<b>36-8</b>
Verify Top Model Code . . . . .	36-9
Verify Referenced Model Code . . . . .	36-9
Verify Subsystem Code . . . . .	36-10
<b>Configure a SIL or PIL Simulation . . . . .</b>	<b>36-11</b>
Top-Model SIL or PIL Simulation . . . . .	36-11
Model Block SIL or PIL Simulation . . . . .	36-12
Use a SIL or PIL Block . . . . .	36-13
Check the SIL or PIL Configuration . . . . .	36-14
<b>Top Model Simulation Using SIL or PIL . . . . .</b>	<b>36-18</b>
<b>Referenced Model Simulation Using SIL or PIL . . . . .</b>	<b>36-19</b>
<b>Verify Internal Signals of a Component . . . . .</b>	<b>36-21</b>
<b>Simulation Mode Override Behavior in Model Reference Hierarchy . . . . .</b>	<b>36-23</b>
<b>Code Interfaces for SIL and PIL . . . . .</b>	<b>36-25</b>
Code Interface for Top-Model SIL or PIL . . . . .	36-26

Code Interface for Model Block SIL or PIL .....	36-26
<b>Configure Hardware Implementation Settings for SIL .....</b>	<b>36-27</b>
Choose Hardware Implementation Approach .....	36-27
Portable Word Sizes .....	36-27
Test Hardware .....	36-29
Production hardware .....	36-30
<b>Debug SIL Simulation .....</b>	<b>36-32</b>
<b>Prevent Code Changes in Multiple SIL and PIL Simulations .....</b>	<b>36-35</b>
<b>Speed Up SIL/PIL Verification .....</b>	<b>36-37</b>
<b>Create PIL Target Connectivity Configuration .....</b>	<b>36-38</b>
Target Connectivity Configurations for PIL .....	36-38
Create a Target Connectivity API Implementation ..	36-39
Register a Connectivity API Implementation .....	36-40
Target Connectivity API Examples .....	36-41
<b>Host-Target Communication for PIL .....</b>	<b>36-43</b>
Communications rtiostream API .....	36-43
Synchronize Host and Target .....	36-44
Test an rtiostream Driver .....	36-45
<b>Specify Hardware Timer .....</b>	<b>36-49</b>
<b>PIL Simulation Sequence .....</b>	<b>36-52</b>
<b>Verification of Code Generation Assumptions .....</b>	<b>36-55</b>
<b>View SIL and PIL Files in Code Generation Report .</b>	<b>36-56</b>
<b>SIL and PIL Scheduling .....</b>	<b>36-58</b>
Algebraic Loops in SIL and PIL Simulations .....	36-58
Exported Functions in Feedback Loops .....	36-58
<b>Imported Data and Function Definitions .....</b>	<b>36-60</b>
Imported Data for SIL and PIL .....	36-60
SIL and PIL Support for GetSet Custom Storage Class	36-60
AUTOSAR Runtime Environment .....	36-60

<b>SIL and PIL Limitations</b> .....	<b>36-62</b>
About SIL and PIL Limitations .....	<b>36-63</b>
General SIL and PIL Limitations .....	<b>36-64</b>
Top-Model SIL/PIL Limitations .....	<b>36-70</b>
Model Block SIL/PIL Limitations .....	<b>36-73</b>
SIL/PIL Block Limitations .....	<b>36-74</b>
<b>Verify Numerical Equivalence with CGV</b> .....	<b>36-75</b>
<b>Verify Numerical Equivalence Between Two Modes of Execution of a Model</b> .....	<b>36-76</b>
Configure the Model .....	<b>36-76</b>
Execute the Model .....	<b>36-77</b>
Compare All Output Signals .....	<b>36-78</b>
Compare Individual Output Signals .....	<b>36-80</b>
Plot Output Signals .....	<b>36-81</b>
<b>Configure Hardware Settings for Software-in-the-Loop (SIL) Simulation</b> .....	<b>36-83</b>

## Numerical Consistency between Model and Generated Code

**37**

<b>Numerical Consistency of Model and Generated Code Simulation Results</b> .....	<b>37-2</b>
Numerical Consistency .....	<b>37-2</b>
Numerical Consistency in Complex Systems .....	<b>37-3</b>
Reasons for Block-Level Numerical Differences .....	<b>37-5</b>

## Software-in-the-Loop Execution for MATLAB Coder

**38**

<b>Code Verification Through Software-in-the-Loop and Processor-in-the-Loop Execution</b> .....	<b>38-2</b>
---	-------------

<b>Software-in-the-Loop Execution with the MATLAB Coder App</b> .....	<b>38-4</b>
<b>Software-in-the-Loop Execution From Command Line</b> .....	<b>38-6</b>
SIL Execution of Code Generated for a Kalman Estimator .....	<b>38-6</b>
<b>Debug SIL Execution</b> .....	<b>38-9</b>
<b>Create PIL Target Connectivity Configuration</b> .....	<b>38-12</b>
Target Connectivity Configurations for PIL .....	<b>38-12</b>
Create a Target Connectivity API Implementation ..	<b>38-12</b>
Register Target Connectivity Configuration .....	<b>38-14</b>
<b>Host-Target Communication for PIL</b> .....	<b>38-16</b>
Communications rtiostream API .....	<b>38-16</b>
Synchronize Host and Target .....	<b>38-17</b>
Test an rtiostream Driver .....	<b>38-18</b>
<b>Specify Hardware Timer</b> .....	<b>38-21</b>
<b>Processor-in-the-Loop Execution with the MATLAB Coder App</b> .....	<b>38-24</b>
<b>Processor-in-the-Loop Execution From Command Line</b> .....	<b>38-26</b>
PIL Execution of Code Generated for a Kalman Estimator .....	<b>38-26</b>
<b>Verification of Code Generation Assumptions</b> .....	<b>38-32</b>
<b>SIL/PIL Execution Support and Limitations</b> .....	<b>38-33</b>

## Code Coverage

# 39

<b>Code Coverage in SIL and PIL Simulations</b> .....	<b>39-2</b>
<b>Configure SIL and PIL Code Coverage</b> .....	<b>39-3</b>

<b>View Code Coverage Information at the End of SIL or PIL Simulations</b> .....	<b>39-5</b>
View LDRA Testbed Results .....	<b>39-5</b>
View BullseyeCoverage Results .....	<b>39-7</b>
<b>Configure Code Coverage Programmatically</b> .....	<b>39-9</b>
<b>Code Coverage Summary and Annotations</b> .....	<b>39-11</b>
LDRA Testbed Coverage .....	<b>39-11</b>
BullseyeCoverage Information .....	<b>39-13</b>
<b>Code Coverage Tool Support</b> .....	<b>39-16</b>
<b>Code Coverage for PIL</b> .....	<b>39-17</b>
PIL Support for LDRA Testbed .....	<b>39-17</b>
PIL Support for BullseyeCoverage .....	<b>39-18</b>
<b>Tips and Limitations</b> .....	<b>39-19</b>
Right-Click Subsystem Build Unsupported for Code Coverage .....	<b>39-19</b>
BullseyeCoverage License Wait .....	<b>39-19</b>
Current Working Folder Cannot be UNC Path .....	<b>39-19</b>
Characters in <code>matlabroot</code> and File Path .....	<b>39-19</b>
Header Files with Identical Names .....	<b>39-19</b>
Code Coverage for Source Files in Shared Utility Folders .....	<b>39-19</b>
BullseyeCoverage Behavior with Inline Macros .....	<b>39-20</b>
SIL and PIL Simulations with Open LDRA Testbed .	<b>39-20</b>
PIL Zero Coverage LDRA Testbed Annotations .....	<b>39-21</b>
Modify Legacy Code .....	<b>39-21</b>
IDE Link Does Not Support LDRA Testbed .....	<b>39-21</b>

## Embedded IDEs and Embedded Targets

<b>40</b>	<b>Getting Started with Embedded Targets</b>	
	<b>Embedded Coder Supported Hardware</b> .....	<b>40-2</b>



# Project and Build Configurations for Embedded Targets

## 41

<b>Model Setup</b> .....	41-2
Block Selection .....	41-2
Configure Target Hardware Resources .....	41-3
Configuration Parameters .....	41-5
Model Reference .....	41-12
<b>IDE Projects</b> .....	41-13
Support for Third Party Products .....	41-13
Code Generation and Build .....	41-13
<b>Makefiles for Software Build Tool Chains</b> .....	41-15
What is the XMakefile Feature .....	41-15
Using Makefiles to Generate and Build Software .....	41-17
Making an XMakefile Configuration Operational .....	41-20
Creating a New XMakefile Configuration .....	41-20
XMakefile User Configuration dialog .....	41-26

# Verification and Profiling Generated Code

## 42

<b>PIL Simulation for IDE and Toolchain Targets</b> .....	42-2
Overview .....	42-2
PIL Approaches .....	42-3
Communications .....	42-7
Running Your PIL Application to Perform Simulation and Verification .....	42-13
Performing a Model Block PIL Simulation via SCI Using Makefiles .....	42-13
Definitions .....	42-17
PIL Issues and Limitations .....	42-17
<b>Code Execution Profiling for IDE and Toolchain Targets</b> .....	42-19
Execution Time Profiling .....	42-19
Stack Profiling .....	42-19

<b>Perform Execution Time Profiling for IDE and Toolchain</b>	
<b>Targets</b> . . . . .	42-22
Execution Profiling During Standalone Execution . . .	42-22
Execution Profiling During PIL Simulation . . . . .	42-25

<b>Perform Stack Profiling with IDE and Toolchain</b>	
<b>Targets</b> . . . . .	42-27

## Processor-Specific Optimizations for Embedded Targets

### 43

<b>Replace Code for Embedded Targets</b> . . . . .	43-2
Using a Processor-Specific Code Replacement Library to Optimize Code . . . . .	43-2
Process of Determining Optimization Effects Using Real-Time Profiling Capability . . . . .	43-2

## Working with Texas Instruments Code Composer Studio 3.3 IDE

### 44

<b>Set Up</b> . . . . .	44-2
<b>Code Composer Studio</b> . . . . .	44-3
Using Code Composer Studio with Embedded Coder Software . . . . .	44-3
Default Project Configuration . . . . .	44-3
<b>Getting Started</b> . . . . .	44-5
Overview . . . . .	44-5
Verifying Your Code Composer Studio Installation . . .	44-8
<b>IDE Automation Interface</b> . . . . .	44-9
Getting Started with IDE Automation Interface . . . . .	44-9
Getting Started with RTDX . . . . .	44-25

Constructing tics Objects . . . . .	44-42
tics Properties and Property Values . . . . .	44-43
Overloaded Functions for tics Objects . . . . .	44-43
tics Object Properties . . . . .	44-44
Function List . . . . .	44-50
<b>IDE Project Generator . . . . .</b>	<b>44-53</b>
Introducing IDE Project Generator . . . . .	44-53
IDE Project Generator and Board Selection . . . . .	44-53
Generate an IDE Project . . . . .	44-55
Model Reference . . . . .	44-58
<b>Exporting Filter Coefficients from FDATool . . . . .</b>	<b>44-62</b>
About FDATool . . . . .	44-62
Preparing to Export Filter Coefficients to Code Composer Studio Projects . . . . .	44-63
Exporting Filter Coefficients to Your Code Composer Studio Project . . . . .	44-66
Preventing Memory Corruption When You Export Coefficients to Processor Memory . . . . .	44-71
<b>Using Makefiles with Code Composer Studio 3.x . . . . .</b>	<b>44-77</b>
Introduction . . . . .	44-77
Set Up XMakefile for CCSv3 . . . . .	44-77
Prepare Your Model for CCSv3 and Makefiles . . . . .	44-78
Create Target Configuration File in CCSv3 . . . . .	44-79
Load and Run the Embedded Software . . . . .	44-79
<b>Reported Limitations and Tips . . . . .</b>	<b>44-81</b>
Example Programs Do Not Run Well with Incorrect GEL Files . . . . .	44-81
Changing Values of Local Variables Does Not Work . . . . .	44-82
Code Composer Studio Cannot Find a File After You Halt a Program . . . . .	44-82
C54x XPC Register Can Be Modified Only Through the PC Register . . . . .	44-84
Working with More Than One Installed Version of Code Composer Studio . . . . .	44-84
Changing CCS Versions During a MATLAB Session . . . . .	44-85
MATLAB Hangs When Code Composer Studio Cannot Find a Board . . . . .	44-85
Using Mapped Drives . . . . .	44-86
Uninstalling Code Composer Studio 3.3 Prevents Embedded Coder From Connecting . . . . .	44-86

PostCodeGenCommand Commands Do Not Apply to IDE Projects .....	44-87
---	-------

<b>Setting Up Code Composer Studio (ert.tlc System Target File) .....</b>	<b>44-88</b>
Prepare Your Model for CCSv3.3 .....	44-88
Prepare Your Model for CCSv4/5/6 .....	44-88

<b>IDE Link Frequently Asked Question: Why do I get an error when I invoke TICCS? .....</b>	<b>44-90</b>
Why do I get an error when I invoke TICCS? .....	44-90
How can I fix this problem? .....	44-90
What happens if I click Deselect All when CCS prompts that 'New components were detected'? .....	44-92
How do I use CCS Component Manager to enable IDE Link Components? .....	44-92

## Working with Texas Instruments Code Composer Studio 4 & 5 IDE

# 45

<b>Set Up .....</b>	<b>45-2</b>
<b>Code Composer Studio .....</b>	<b>45-3</b>
Feature Support .....	45-3
<b>Getting Started .....</b>	<b>45-4</b>
Verifying Your Code Composer Studio Installation ...	45-4
Learning About Makefiles .....	45-4
<b>Using Makefiles with Code Composer Studio 4/5 .....</b>	<b>45-5</b>
Introduction .....	45-5
Set Up XMakefile for CCSv4/5 .....	45-5
Prepare Your Model for CCSv4/5 and Makefiles .....	45-6
Create Target Configuration File in CCSv4/5 .....	45-7
Configure Windows Path for TI Debug Server Scripting (DSS) .....	45-7
Load and Run the Embedded Software Using DSS ...	45-8

<b>Reported Limitations and Tips</b> .....	45-11
Example Programs Do Not Run well with Incorrect GEL Files .....	45-11
PostCodeGenCommand Commands Do Not Apply to IDE Projects .....	45-11

## Code Generation from MATLAB Code

### Build Configuration for Code Generation from MATLAB Code

# 46

<b>Specify Comment Style for C/C++ Code</b> .....	46-2
Specify Comment Style Using the MATLAB Coder App .....	46-2
Specify Comment Style Using the Command-Line Interface .....	46-3
<b>Specify Indent Style for C/C++ Code</b> .....	46-4
Specify Indent Style Using the MATLAB Coder App ..	46-5
Specify Indent Style Using the Command-Line Interface .....	46-5
<b>Generate Custom File and Function Banners for C/C++ Code</b> .....	46-6
<b>Code Generation Template Files for MATLAB</b> .....	46-9
Default CGT File .....	46-9
CGT File Structure .....	46-9
Components of the CGT File Sections .....	46-11
<b>Customize Generated Identifiers</b> .....	46-20
Customize Identifiers Using the MATLAB Coder App ..	46-20
Customize Generated Identifiers Using the Command Line Interface .....	46-21

<b>Control Signed Left Shifts in Generated Code</b> . . . . .	<b>46-23</b>
Control Signed Left Shifts Using the MATLAB Coder App . . . . .	<b>46-23</b>
Control Signed Left Shifts Using the Command-Line Interface . . . . .	<b>46-23</b>
<b>Control Data Type Casts in Generated Code</b> . . . . .	<b>46-25</b>
Specify Casting Mode Using the MATLAB Coder App . . . . .	<b>46-26</b>
Specify Casting Mode Using the Command-Line Interface . . . . .	<b>46-27</b>

## Code Replacement for MATLAB Code

# 47

<b>What Is Code Replacement?</b> . . . . .	<b>47-2</b>
<b>Code You Can Replace from MATLAB Code</b> . . . . .	<b>47-4</b>
About Code You Can Replace . . . . .	<b>47-4</b>
Math Functions . . . . .	<b>47-4</b>
Memory Functions . . . . .	<b>47-9</b>
Operators . . . . .	<b>47-9</b>
<b>Code Replacement Libraries</b> . . . . .	<b>47-14</b>
<b>Code Replacement Terminology</b> . . . . .	<b>47-16</b>
<b>Code Replacement Limitations</b> . . . . .	<b>47-19</b>
<b>Replace Code Generated from MATLAB Code</b> . . . . .	<b>47-20</b>
<b>Choose a Code Replacement Library</b> . . . . .	<b>47-23</b>
About Choosing a Code Replacement Library . . . . .	<b>47-23</b>
Explore Available Code Replacement Libraries . . . . .	<b>47-23</b>
Explore Code Replacement Library Contents . . . . .	<b>47-32</b>

## Storage Classes for Code Generation from MATLAB Code

**48**

<b>Storage Classes for Code Generation from MATLAB Code</b> .....	<b>48-2</b>
<b>Control Declarations and Definitions of Global Variables in Code Generated from MATLAB Code</b> .....	<b>48-5</b>

## Verification of Code Generated from MATLAB Code

**49**

<b>Highlight Potential Data Type Issues in a Report</b> .....	<b>49-2</b>
Enable Highlight Option Using the MATLAB Coder App .....	<b>49-3</b>
Enable Highlight Option Using the Command Line Interface .....	<b>49-4</b>
<b>Find Potential Data Type Issues in Generated Code</b> ..	<b>49-5</b>
Data Type Issues Overview .....	<b>49-5</b>
Enable Highlighting of Potential Data Type Issues .....	<b>49-5</b>
Find and Address Cumbersome Operations .....	<b>49-6</b>
Find and Address Expensive Rounding .....	<b>49-8</b>
Find and Address Expensive Comparison Operations ..	<b>49-9</b>
Find and Address Multiword Operations .....	<b>49-11</b>
<b>PIL Execution with ARM Cortex-A at the Command Line</b> .....	<b>49-13</b>
<b>PIL Execution with ARM Cortex-A by Using the MATLAB Coder App</b> .....	<b>49-15</b>





# **Model Architecture and Design**



# Modeling Environment

---

- “Design Models for Generated Embedded Code Deployment” on page 1-2
- “Model Single-Core, Single-Tasking Platform Execution” on page 1-15
- “Model Single-Core, Multitasking Platform Execution” on page 1-20
- “Model Concurrent Execution for Symmetric Multicore CPU Platforms” on page 1-25
- “Model Explicit Function Invocation with Atomic Subsystems” on page 1-33
- “Model Explicit Function Invocation with Function-Call Subsystems” on page 1-38
- “Model for AUTOSAR Platform” on page 1-42

## Design Models for Generated Embedded Code Deployment

When using Embedded Coder<sup>®</sup> to generate code for an embedded system architecture, it is important to design your Simulink models with code generation in mind from the very beginning of the design process. Think about relevant design factors and issues such as:

In this section...
“Embedded System Architectures” on page 1-2
“Generated Code Execution Framework” on page 1-3
“Map Embedded System Architecture to Simulink Modeling Environment” on page 1-4
“Embedded System Model Templates” on page 1-13

### Embedded System Architectures

Use Simulink to model embedded system architectures that accommodate embedded processors, on-target rapid prototyping boards, and microprocessors. Examples of such architectures are:

- Control loop
- Interrupt controlled system
- Nonpreemptive multitasking system
- Preemptive multitasking or multithreading system
- Custom kernel
- Custom operating system

As you design models to generate C or C++ code that is optimized for an embedded system, keep in mind your embedded system architecture. Generate code that meets implementation requirements and avoids potential design rework. A primary consideration is the environment that executes the generated code. Depending on the system that you are modeling, the execution environment configuration can range from relatively simple to complex. For example, a simple case is a model mapped to a single-core CPU. A complex case is a model partitioned to run as a distributed system on a multicore CPU and an FPGA.

## Generated Code Execution Framework

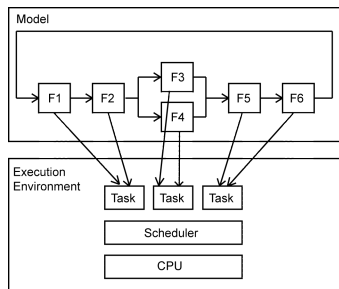
Part of a system execution environment is the software framework responsible for executing the generated code. The framework can preexist, as in the case of an operating system, or you can code the framework manually. The level of complexity varies depending on which of the following modeling and code generation scenarios applies:

- Generate code from a single top model, which represents the algorithms intended to run on the system hardware.
- Generate code from a model, which represents part of an overall algorithm. You can mix the generated code with code written manually and code generated from other sources or releases of MathWorks® products.

### Single Top Model

For a single top model, the execution framework is responsible for executing generated code the same way that Simulink executes the model. Functions in the generated code are highly coordinated and optimized because Simulink is aware of dependencies. The framework interfaces with code generated for the top model only. Code generated for a top model handles interfacing with code for referenced Model blocks.

Consider the following example, where a single top model is mapped to a single-core CPU.

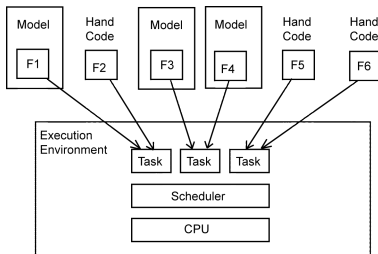


For this system, you map model clock rates to tasks that you intend to run on the hardware. You can choose for Simulink to map the rates implicitly or you can map them explicitly in your model. You can model latency effects resulting from how you map rates in a model to single-tasking or multitasking execution environments. Simulink schedules the tasks properly based on rates in the model and data dependencies between tasks. The code generator implements the same dependencies in the code that it generates. The

execution framework invokes generated entry-point functions at rates based on system timers and interrupts. The generated code executes in the same manner that the model is simulated, and contains code dedicated to communicating data between functions running at different rates.

### Multiple Top-Level Models

When you generate code from multiple top models separately and mix that code with code acquired in other ways, the application takes on more execution framework responsibility. For this architecture, you generate code for standalone, atomic reusable components.



With this scenario, Simulink is not aware of model dependencies. Functions in code generated from the different models are minimally coordinated and optimized. For example, generated utility functions are shared across models. Potential optimizations that cross model boundaries are not possible. You must design the framework taking into account dependencies between units of code, including execution order. Consider data latency effects across cores.

The Embedded Coder software helps you address framework challenges, such as sharing global data and avoiding identifier conflicts. Code generated for a model handles the interfacing for referenced Model blocks.

### Map Embedded System Architecture to Simulink Modeling Environment

When mapping an embedded system architecture to the Simulink modeling environment, think about the model design.

<p>“Modeling Algorithms” on page 1-5</p>	<p>Given initial state and input, a set of tasks or instructions that efficiently produce a correct result that you want.</p>
--	---

“Modeling Interfaces” on page 1-6	Mechanisms that enable algorithm components to communicate and exchange information across component boundaries.
“Modeling Systems” on page 1-7	Collection of algorithm components that achieve a higher-level, domain-specific goal or result. Components often share resources.
“Modeling Run-Time Environments” on page 1-11	Framework that handles scheduling of system algorithm resources and execution.

Consider the following questions regarding an embedded system architecture with corresponding modeling capabilities and links to related information. Use the information as a guide for mapping your architecture details to the Simulink modeling environment. Designing a model architecture with your specific embedded system architecture in mind can help you avoid rework and future conversion and maintenance costs.

### Modeling Algorithms

Architecture Considerations	Modeling Considerations	Related Information
What is the system domain?	Product prerequisites (based on domains of components)	<ul style="list-style-type: none"> <li>• “Supported Products and Block Usage” (Simulink Coder)</li> <li>• “Simulink Control Design” (Simulink Control Design™)</li> <li>• “Model Signal Processing Systems” (Simulink)</li> <li>• “Signal Generation, Manipulation, and Analysis”(DSP System Toolbox™)</li> </ul>
Does the system involve physical domains, such as mechanical, electrical, or hydraulic domains?	Physical systems	<ul style="list-style-type: none"> <li>• “Model Physical Systems” (Simulink)</li> <li>• “Basic Principles of Modeling Physical Networks” (Simscape™)</li> <li>• “Essential Physical Modeling Techniques” (Simscape)</li> </ul>

Architecture Considerations	Modeling Considerations	Related Information
What aspects of your algorithm can you represent with blocks provided by MathWorks products? What blocks do you need to create?	Block usage, creation, and customization	<ul style="list-style-type: none"> <li>• “Supported Products and Block Usage” (Simulink Coder)</li> <li>• “External Code Integration” (Simulink Coder)</li> </ul>
Does the architecture include state machine components?	Event-driven system	“Basic Approach for Modeling Event-Driven Systems” (Stateflow <sup>®</sup> )

### Modeling Interfaces

Architecture Considerations	Modeling Considerations	Related Information
<ul style="list-style-type: none"> <li>• What data must you represent in the generated code?</li> <li>• How do you need to represent input and output—data type, dimension, complexity?</li> <li>• Do the algorithms use floating-point or fixed-point arithmetic?</li> <li>• How will the data change?</li> </ul>	Data representation	<ul style="list-style-type: none"> <li>• “Interface Design” (Simulink)</li> <li>• “Data Representation”</li> <li>• “Modeling Patterns for C Code”</li> <li>• “Fixed-Point Designer” (Fixed-Point Designer<sup>™</sup>)</li> </ul>
Where and how is data pulled into the system and pulled within the system?	Input	<ul style="list-style-type: none"> <li>• “Comparison of Signal Loading Techniques” (Simulink)</li> <li>• “Modeling Patterns for C Code”</li> </ul>
<ul style="list-style-type: none"> <li>• Where and how is data pushed within the system and out of the system?</li> <li>• What external triggers are necessary?</li> </ul>	Output	<ul style="list-style-type: none"> <li>• “Inspect Signal Data with Simulation Data Inspector” (Simulink)</li> <li>• “Control Data Representation by Applying Custom Storage Classes” on page 10-35</li> </ul>
<ul style="list-style-type: none"> <li>• What functions do you need to define for each component?</li> <li>• What is the prototype for each entry-point function?</li> </ul>	Functions and function calls	<ul style="list-style-type: none"> <li>• “Function and Class Interfaces”</li> <li>• “Function Prototyping” on page 3-61</li> </ul>
Do you need to export functions that are invoked by controlling logic that is outside the model?	Function export	<ul style="list-style-type: none"> <li>• “Export-Function Models” (Simulink)</li> </ul>



Architecture Considerations	Modeling Considerations	Related Information
		<ul style="list-style-type: none"> <li>• “Export Generated Algorithm Code for Embedded Applications” (Simulink Coder)</li> </ul>
Does the system monitor signals or log data (for example, for calibration)?	C API and ASAP2 data exchange interfaces	<ul style="list-style-type: none"> <li>• “Exchange Data Between Generated and External Code Using C API” (Simulink Coder)</li> <li>• “Export ASAP2 File for Data Measurement and Calibration” (Simulink Coder)</li> </ul>
Do you need to replace code generated for functions or operators, for example, to optimize the code for specific hardware?	Code replacement	<ul style="list-style-type: none"> <li>• “What Is Code Replacement?” (Simulink Coder)</li> <li>• “What Is Code Replacement Customization?” on page 24-3</li> </ul>
Do you need to control the placement of data or functions in memory?	Memory sections	<ul style="list-style-type: none"> <li>• “Introduction to Custom Storage Classes” on page 10-2</li> <li>• “Control Data and Function Placement in Memory by Inserting Pragmas” on page 13-2</li> <li>• “Declare Constant Data as Volatile Using Memory Sections” on page 13-18</li> </ul>
Is there a requirement for elaboration and future considerations?	Elaboration and future considerations	<ul style="list-style-type: none"> <li>• “Interface Design” (Simulink)</li> </ul>

### Modeling Systems

Architecture Considerations	Modeling Considerations	Related Information
<ul style="list-style-type: none"> <li>• What is the scope of the system? Controller? External environment or plant? Test harness?</li> </ul>	Componentization	<ul style="list-style-type: none"> <li>• “Interface Design” (Simulink)</li> <li>• “Componentization Guidelines” (Simulink)</li> <li>• “Design Partitioning” (Simulink)</li> <li>• “Custom Libraries and Linked Blocks” (Simulink)</li> </ul>

Architecture Considerations	Modeling Considerations	Related Information
<ul style="list-style-type: none"> <li>• How is the system partitioned into algorithm components (chunks of logic)?</li> <li>• Which components can you represent in Simulink?</li> <li>• Can you design components for reuse? What is the motivation for reuse (for example, division of labor or plug-n-play)?</li> </ul>		<ul style="list-style-type: none"> <li>• “Export-Function Models” (Simulink)</li> <li>• “Custom MATLAB Algorithms” (Simulink)</li> <li>• “Code Generation of Subsystems” (Simulink Coder)</li> <li>• “Code Generation of Referenced Models” (Simulink Coder)</li> <li>• “Code Generation of Stateflow Blocks” (Simulink Coder)</li> </ul>
<ul style="list-style-type: none"> <li>• Do aspects of the system require unit testing?</li> <li>• Is a team of people collaborating on the project?</li> <li>• Do you need to protect intellectual property?</li> </ul>	Model referencing	<ul style="list-style-type: none"> <li>• “Overview of Model Referencing” (Simulink)</li> <li>• “Componentization Guidelines” (Simulink)</li> <li>• “Code Generation of Referenced Models” (Simulink Coder)</li> <li>• “Generate Reusable Code for Unit Testing” (Simulink Coder)</li> </ul>
Are you modeling a client-server architecture?	Simulink Function and Caller blocks	<ul style="list-style-type: none"> <li>• “Diagnostics Using a Client-Server Architecture” (Simulink)</li> <li>• “Simulink Functions in Simulink Models” (Simulink)</li> </ul>
Is relevant legacy or custom code available?	External code integration	“About External Code Integration” (Simulink Coder)
Can you apply a reference architecture or reference components?	Model and project templates	<ul style="list-style-type: none"> <li>• “Create a Template from a Model” (Simulink)</li> <li>• “Create a New Project Using Templates” (Simulink)</li> </ul>
Do you need to export functions that are invoked by controlling logic that is outside a model?	Export-function models	“Export-Function Models” (Simulink)

Architecture Considerations	Modeling Considerations	Related Information
Is there a need to package the source code for a component as a shared object library to simplify distribution or sharing?	Shared object libraries (dynamic link libraries)	“Package Generated Code as Shared Object Libraries” on page 21-2
Can you reuse functions?	Function reuse	<ul style="list-style-type: none"><li>• “Code Reuse For Subsystems Shared Across Models” (Simulink Coder)</li><li>• “Reusable Library Subsystem” (Simulink Coder)</li><li>• “Generate Reentrant Code from Top-Level Models” (Simulink Coder)</li><li>• “Reusable Code and Referenced Models” (Simulink Coder)</li><li>• “Generate Reusable Code for Atomic Subcharts” (Simulink Coder)</li></ul>

Architecture Considerations	Modeling Considerations	Related Information
<ul style="list-style-type: none"> <li>• Do components need to share access to global data?</li> <li>• Within the system, do state changes occur? In each case, how does the result get communicated?</li> <li>• Are there identifier (naming) issues to consider?</li> </ul>	Shared data	<ul style="list-style-type: none"> <li>• “Local and Global Data Stores” (Simulink)</li> <li>• “Default Data Structures in the Generated Code” (Simulink Coder)</li> <li>• “Storage Classes for Signals Used with Model Blocks” (Simulink Coder)</li> <li>• “Shared Constant Parameters for Code Reuse” (Simulink Coder)</li> <li>• “Data Stores in Generated Code” (Simulink Coder)</li> <li>• “Create Data Objects for Code Generation with Data Object Wizard” on page 11-2</li> <li>• “Define Global Data Objects in Separate File” on page 7-3</li> <li>• “Customize Generated Identifier Naming Rules” on page 16-15</li> </ul>
Do you need to control placement of data or functions in memory?	Memory sections	<ul style="list-style-type: none"> <li>• “Introduction to Custom Storage Classes” on page 10-2</li> <li>• “Control Data and Function Placement in Memory by Inserting Pragmas” on page 13-2</li> <li>• “Declare Constant Data as Volatile Using Memory Sections” on page 13-18</li> </ul>
Are you required to apply the AUTOSAR standard? If yes, what aspects of the architecture involve AUTOSAR?	AUTOSAR	“AUTOSAR”

Architecture Considerations	Modeling Considerations	Related Information
Does your system need to meet other standards or guidelines?	Standards and guidelines	“Support for Standards and Guidelines” on page 2-2

### Modeling Run-Time Environments

Architecture Considerations	Modeling Considerations	Related Information
<ul style="list-style-type: none"> <li>• What level of control over run-time interfacing does your application require?</li> <li>• How much of your system can you represent in a model?</li> </ul>	Runtime interfacing	<ul style="list-style-type: none"> <li>• “Model Execution” (Simulink Coder)</li> <li>• See Modeling Interfaces.</li> </ul>
Is the system partitioned into concurrent components to maximize parallelism? Which components?	Concurrency	“Multicore Processor Targets” (Simulink)
<ul style="list-style-type: none"> <li>• Are components driven by an external clock?</li> <li>• What clock rates do system components use?</li> <li>• Do components use a single rate or multiple rates?</li> </ul>	Clocks and clock rates	<ul style="list-style-type: none"> <li>• “Interface Design” (Simulink)</li> <li>• “Use Different Sample Times for Signal Elements in a Bus” (Simulink)</li> </ul>
<ul style="list-style-type: none"> <li>• Are components in the system driven by clocks?</li> <li>• What clock rates do system components use?</li> <li>• Do components use a single rate or multiple rates?</li> <li>• What are the priorities of system tasks and functions?</li> </ul>	Time-based scheduling	<ul style="list-style-type: none"> <li>• “Absolute and Elapsed Time Computation” (Simulink Coder)</li> <li>• “Time-Based Scheduling” (Simulink Coder)</li> </ul>
<ul style="list-style-type: none"> <li>• Are components in the system driven by events (interrupts)?</li> <li>• What are the priorities of system tasks and functions?</li> </ul>	Event-based scheduling	<ul style="list-style-type: none"> <li>• “Absolute and Elapsed Time Computation” (Simulink Coder)</li> <li>• “Event-Based Scheduling”</li> </ul>

Architecture Considerations	Modeling Considerations	Related Information
		<ul style="list-style-type: none"> <li>• “Basic Approach for Modeling Event-Driven Systems” (Stateflow)</li> </ul>
<ul style="list-style-type: none"> <li>• Is the system a single-tasking or multitasking system?</li> <li>• Are components required to execute in real time?</li> <li>• What are the execution order dependencies (sequencing) between components?</li> <li>• What are the time constraints for task and function execution?</li> </ul>	Task execution	<ul style="list-style-type: none"> <li>• “Model Execution” (Simulink Coder)</li> <li>• “Modeling for Single-Tasking Execution” (Simulink Coder)</li> <li>• “Modeling for Multitasking Execution” (Simulink Coder)</li> </ul>
<ul style="list-style-type: none"> <li>• If you know the processing platform, what is it?</li> <li>• Will the system run on a single-core or multicore processor?</li> <li>• Is the system a distributed system?</li> <li>• Is the processing platform hybrid or heterogeneous?</li> <li>• Does the architecture employ symmetric or asymmetric multiprocessing? If asymmetric, how is the platform software partitioned across CPUs?</li> </ul>	Processing platforms	“Multicore Processor Targets” (Simulink)

Architecture Considerations	Modeling Considerations	Related Information
<ul style="list-style-type: none"> <li>Do you want to generate and run a standalone executable that does not require an external real-time kernel or operating system?</li> <li>Is a real-time operation system (RTOS) required? If yes, what RTOS?</li> </ul>	Kernel, operating system	<ul style="list-style-type: none"> <li>“Deploy Generated Standalone Executables To Target Hardware” on page 22-2</li> <li>“Deploy Generated Embedded System Software to Application Target Platforms” on page 22-22</li> </ul>

## Embedded System Model Templates

Embedded Coder provides a set of built-in templates to use as a starting point to create models for common embedded system designs. Use the templates to create models that are preconfigured to generate code for an embedded system and that meet Code Generation Advisor objectives for execution efficiency and traceability.

Template	Description
Code Generation System	Basic model consisting of an Inport block and Output block.
Exported functions	Model for generating code from function-call subsystems. You can export each function-call subsystem separately by right-clicking a subsystem, selecting <b>C/C++ Code &gt; Export Functions</b> , and clicking <b>Build</b> . Or, you can build the entire model. In the latter case, the code generator exports the function calls associated with the function-call subsystems.
Fixed-step, multirate	Fixed-step model that uses multiple rates and consists of Inport blocks, an Outport block, and a Sum block. The model is configured to use a fixed-step discrete solver and to use two rates with <b>Periodic sample time constraint</b> set to <b>Unconstrained</b> and <b>Tasking mode for periodic sample times</b> set to <b>Auto</b> . Simulink inserts a Rate Transition block to handle the two sample rates.
Fixed-step, single rate	Fixed-step model that uses a single rate and consists of Inport blocks, an Outport block, and a Sum block. The model is configured to use a fixed-step discrete solver.

To create a model from a template:

- 1 On the MATLAB® home tab, click **Simulink**.
- 2 In the Simulink start page, expand **Embedded Coder**.
- 3 Select a template.
- 4 Click **Create**. A new model that uses the template contents and settings appears in the Simulink Editor window.

For more information, for example to create and use a template as a reference design, see “Create a Template from a Model”.

## Related Examples

- “Model Single-Core, Single-Tasking Platform Execution” on page 1-15
- “Model Single-Core, Multitasking Platform Execution” on page 1-20
- “Model Concurrent Execution for Symmetric Multicore CPU Platforms” on page 1-25
- “Model Explicit Function Invocation with Atomic Subsystems” on page 1-33
- “Model Explicit Function Invocation with Function-Call Subsystems” on page 1-38
- “Model for AUTOSAR Platform” on page 1-42

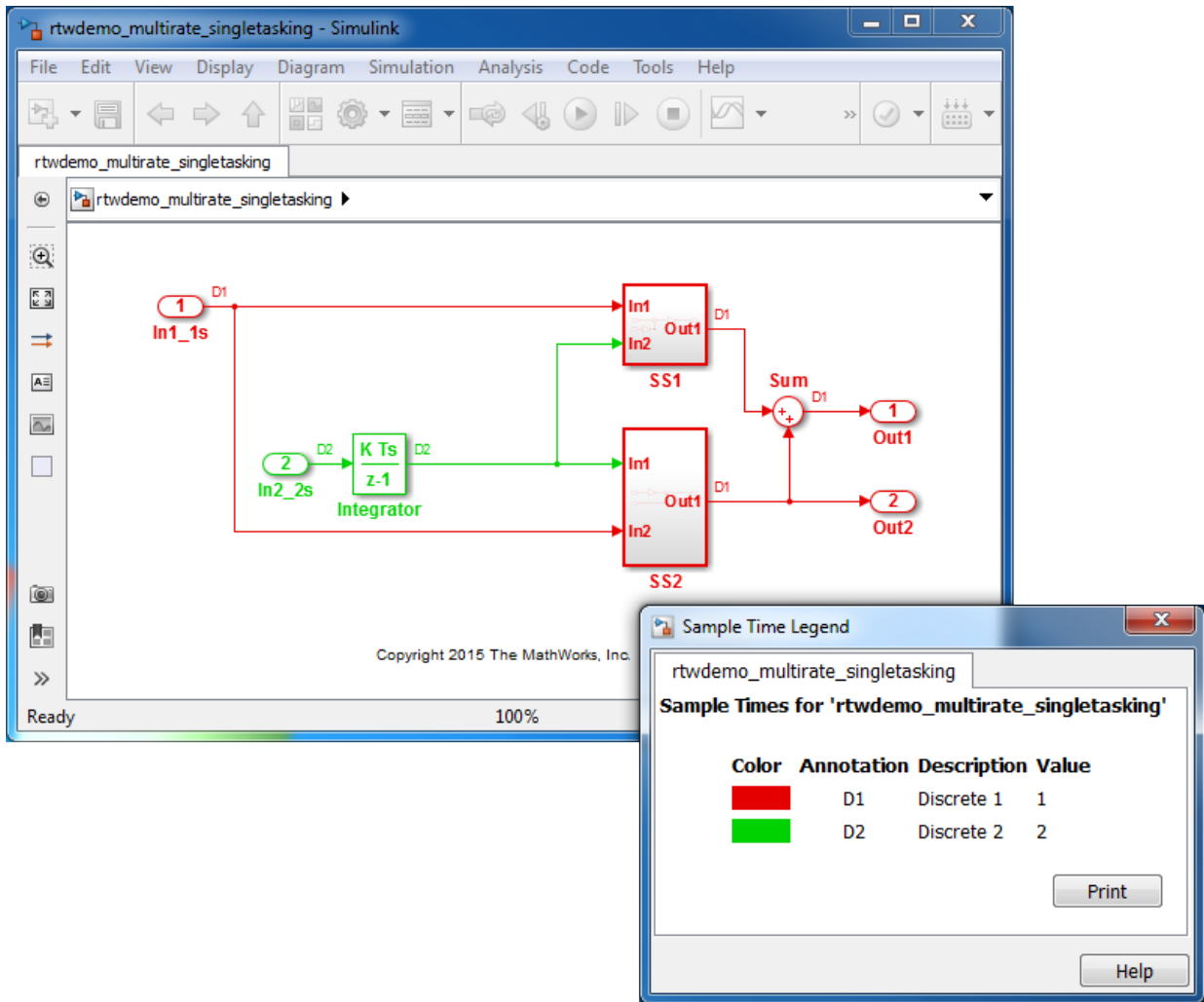


## Model Single-Core, Single-Tasking Platform Execution

This example shows a model designed and configured for embedded system code generation intended to execute on a single-core, single-tasking platform. The application algorithm is captured in a single model hierarchy, making it possible to use Simulink® time-based, single-task scheduling to simulate the model and execute the generated code.

### **Periodic Multirate Model Set Up for Single-Tasking Execution**

Open the example model `rtwdemo_multirate_singletasking`. The model is configured to display color-coded sample times with annotations. To see them, after opening the model, update the diagram by pressing **Ctrl+D**. To display the legend, press **Ctrl+J**.



- Sample times for Inport blocks In1\_1s and In2\_2s are set to 1 and 2 seconds, respectively.
- To provide clean partitioning of rates, sample times for subsystems SS1 and SS2 are set to 1.

### Relevant Model Configuration Parameter Settings

- **Solver > Type** set to Fixed-step.
- **Solver > Solver** set to discrete (no continuous states).
- **Solver > Tasking mode for periodic sample times** set to SingleTasking.

### Scheduling

Simulink® simulates the model based on the model configuration. Code generated from the model implements the same execution semantics. Simulink propagates and uses the Inport block sample times to order block execution based on a single-core, single-tasking execution platform.

For this model, the sample time legend shows an implicit rate grouping. Red represents the fastest discrete rate. Green represents the second fastest discrete rate.

The generated code schedules subrates in the model. In this example, the rate for Inport block In2\_2s, the green rate, is a subrate. The generated code properly transfers data between tasks running at the different rates.

Benefits of implicit rate grouping:

- Simulink does not impose architectural constraints on the model.
- Your execution framework does not require details about underlying function scheduling and data transfers between rates. Therefore, the model interface requirements are simplified. The execution framework uses generated interface code to write input, call the model step function, and read output.
- The code generator optimizes code across rates based on single-tasking execution semantics.

Your execution framework can communicate with external devices for reading and writing model input. For example, model external devices by using Simulink S-Function blocks. Generate code for those blocks with the rest of the algorithm.

### Generate Code and Report

Generate code and a code generation report. The example model generates a report.

### Review Generated Code

From the code generation report, review the generated code.

- `ert_main.c` is an example main program (execution framework) for the model. This code controls model code execution by calling the entry-point function `rtwdemo_multirate_singletasking_step`. Use this file as a starting point for coding your execution framework.
- `rtwdemo_multirate_singletasking.c` contains entry points for the code that implements the model algorithm. This file includes the rate scheduling code.
- `rtwdemo_multirate_singletasking.h` declares model data structures and a public interface to the model entry points and data structures.
- `rtwtypes.h` defines data types, structures, and macros that the generated code requires.

## Code Interface

Open and review the Code Interface Report. Use the information in that report to write the interface code for your execution framework:

- 1 Include the generated header file by adding directive `#include rtwdemo_multirate_singletasking.h`.
- 2 Write input data to the generated code for model Inport blocks.
- 3 Call the generated entry-point functions.
- 4 Read data from the generated code for model Outport blocks.

Input ports:

- `rtU.In1_1s` of data type `real_T` with dimension of 1
- `rtU.In2_2s` of data type `real_T` with dimension of 1

Entry-point functions:

- Initialization entry-point function, `void rtwdemo_multirate_singletasking_initialize(void)`. At startup, call this function once.
- Output and update entry-point (step) function, `void rtwdemo_multirate_singletasking_step(void)`. Call this function periodically at the fastest rate in the model. For this model, call the function every second. To achieve real-time execution, attach this function to a timer.

Output ports:

- `rtY.Out1` of data type `real_T` with dimension of 1

- `rtY.Out2` of data type `real_T` with dimension of 1

### **More About**

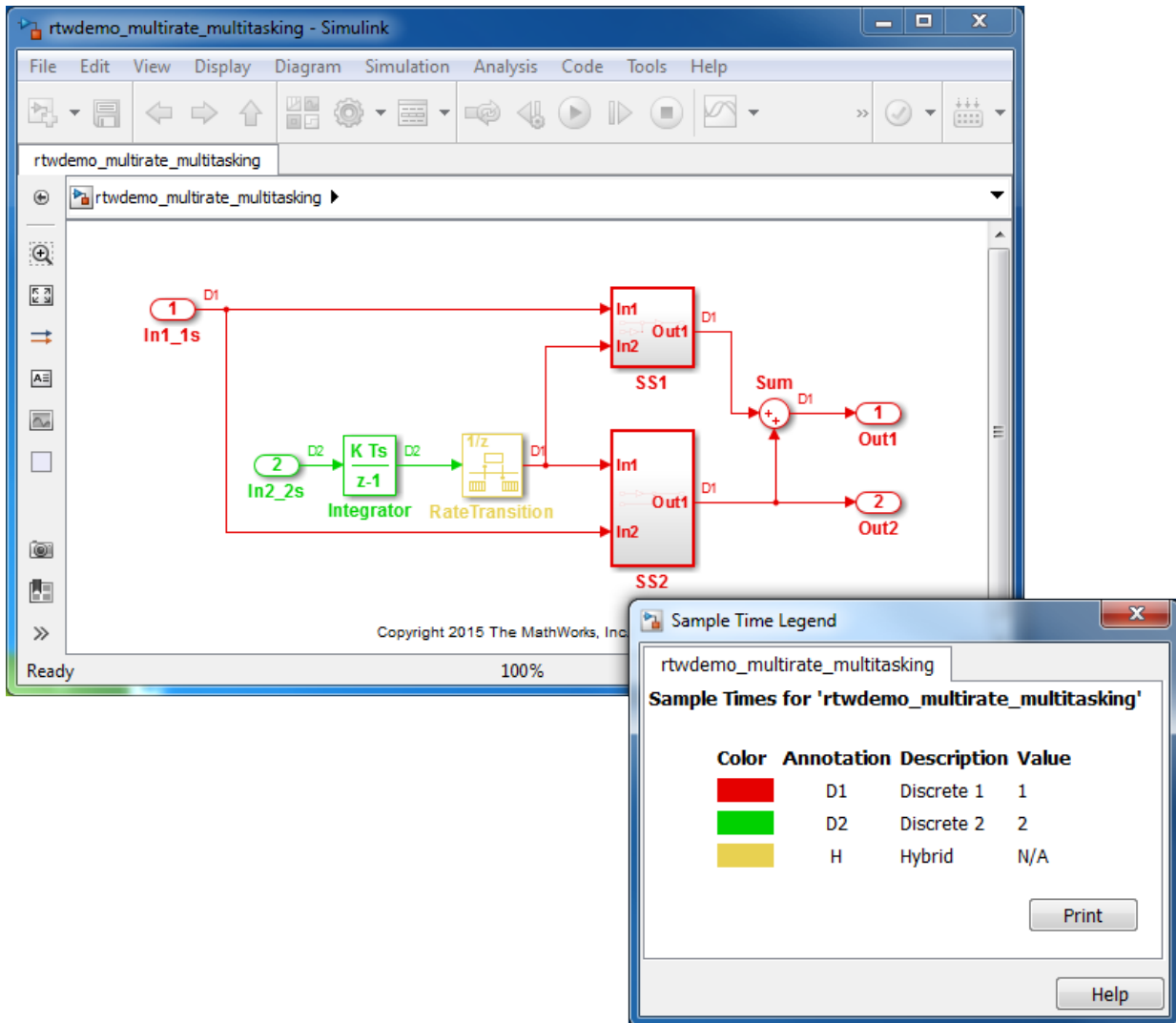
- “Modeling for Single-Tasking Execution”
- “Deploy Generated Standalone Executables To Target Hardware”
- “Customize Code Organization and Format”

## Model Single-Core, Multitasking Platform Execution

This example shows a model designed and configured for embedded system code generation intended to execute on a single-core, multitasking platform. The application algorithm is captured in a single model hierarchy, making it possible to use Simulink® time-based, multitask scheduling to simulate the model and execute the generated code. Simulink® simulates and model and the generated code executes based on the model configuration and a rate monotonic scheduling algorithm.

### Periodic Multirate Model Set Up for Multitasking Execution

Open the example model `rtwdemo_multirate_multitasking`. The model is configured to display color-coded sample times with annotations. To see them, after opening the model, update the diagram by pressing **Ctrl+D**. To display the legend, press **Ctrl+J**.



- Sample times for Inport blocks In1\_1s and In2\_2s are set to 1 and 2 seconds, respectively.
- To provide a clear partitioning of rates, sample times for subsystems SS1 and SS2 are set to 1.

- The Rate Transition block models an explicit rate transition. Alternatively, instruct Simulink to insert Rate Transition blocks for you by selecting model configuration parameter **Solver > Automatically handle rate transition for data transfer**.

## Relevant Model Configuration Parameter Settings

- **Solver > Type** set to **Fixed-step**.
- **Solver > Solver** set to **discrete (no continuous states)**.
- **Solver > Tasking mode for periodic sample times** set to **MultiTasking**.

## Scheduling

Simulink® simulates the model based on the model configuration. Code that this model generates implements the same execution semantics. Simulink propagates and uses the Inport block sample times to order block execution based on a single-core, multitasking execution platform.

For this model, the sample time legend shows an implicit rate grouping. Red represents the fastest discrete rate. Green represents the second fastest discrete rate. Yellow represents the mixture of the two rates.

The generated code schedules subrates in the model. In this example, the rate for Inport block `In2_2s`, the green rate, is a subrate. The generated code properly transfers data between tasks that run at the different rates.

Benefits of implicit rate grouping:

- Simulink does not impose architectural constraints on the model. Create a model without imposing software architecture constraints within the model.
- Your execution framework does not require details about underlying function scheduling and data transfers between rates. Therefore, the model interface requirements are simplified. The execution framework uses generated interface code to write input, call the model step function, and read output.
- The code generator optimizes code across rates based on multitasking execution semantics.

Simulink enforces data transfer constraints to achieve rate monotonic scheduling:

- Data transfers occur between a single read task and a single write task.
- When data transfers between two tasks, only one task can preempt the other task.



- For periodic tasks, a task with a faster rate has a higher priority than a task with a slower rate. In addition, a task with the faster rate, preempts a task with a slower rate.
- Tasks run on a single processor.
- Time slicing, use of a defined time period during which a task can run in a preemptive multitasking system, is not allowed.
- Processes do not crash or restart, especially during data transfers between tasks.
- Read and write operations on byte-sized variables are atomic.

Your execution framework communicates with external devices for reading and writing model input. For example, model external devices by using Simulink S-Function blocks. Generate code for those blocks with the rest of the algorithm.

### Generate Code and Report

Generate code and a code generation report. The example model generates a report.

### Review Generated Code

From the code generation report, review the generated code.

- `ert_main.c` is an example main program (execution framework) for the model. This code controls model code execution by calling the entry-point functions `rtwdemo_multirate_multitasking_step0` and `rtwdemo_multirate_multitasking_step1`. Use this file as a starting point for coding your execution framework.
- `rtwdemo_multirate_multitasking.c` contains entry points for the code that implements the model algorithm. This file includes the rate scheduling code.
- `rtwdemo_multirate_multitasking.h` declares model data structures and a public interface to the model entry points and data structures.
- `rtwtypes.h` defines data types, structures, and macros that the generated code requires.

### Code Interface

Open and review the Code Interface Report. Use the information in that report to write the interface code for your execution framework:

- 1 Include the generated header file by adding directive `#include rtwdemo_multirate_singletasking.h`.

- 2 Write input data to the generated code for model Inport blocks.
- 3 Call the generated entry-point functions.
- 4 Read data from the generated code for model Outport blocks.

Input ports:

- `rtU.In1_1s` of data type `real_T` with dimension of 1
- `rtU.In2_2s` of data type `real_T` with dimension of 1

Entry-point functions:

- Initialization entry-point function, `void rtwdemo_multirate_multitasking_initialize(void)`. At startup, call this function once.
- Output and update entry-point (step) function, `void rtwdemo_multirate_multitasking_step0(void)`. Call this function periodically at the fastest rate in the model. For this model, call the function every second. To achieve real-time execution, attach this function to a timer.
- Output and update entry-point function, `void rtwdemo_multirate_multitasking_step1(void)`. Call this function periodically at the second fastest rate in the model. For this model, call the function every two seconds. To achieve real-time execution, attach this function to a timer.

Output ports:

- `rtY.Out1` of data type `real_T` with dimension of 1
- `rtY.Out2` of data type `real_T` with dimension of 1

## More About

- “Modeling for Multitasking Execution”
- “Deploy Generated Standalone Executables To Target Hardware”
- “Customize Code Organization and Format”

# Model Concurrent Execution for Symmetric Multicore CPU Platforms

This example shows a model designed and configured for embedded system code generation intended to execute on a symmetric multicore, multitasking platform. The application algorithm is captured in a single model hierarchy, making it possible to use Simulink® time-based, multitask scheduling to simulate the model and execute the generated code.

## **Periodic Multirate Model Set Up for Multitasking Concurrent Execution**

Open the example model `rtwdemo_concurrent_execution`. The model is configured to display color-coded sample times with annotations. To see them, after opening the model, update the diagram by pressing **Ctrl+D**. To display the legend, press **Ctrl+J**.



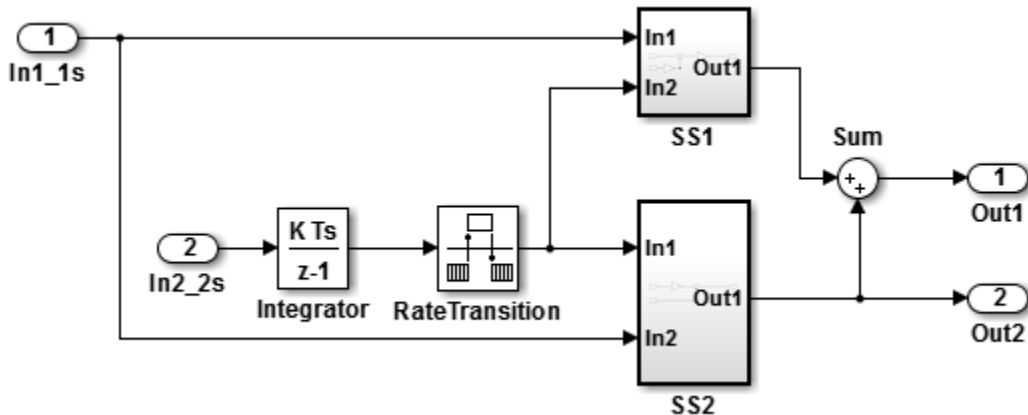
- Does not impose modeling constraints.
- Provides ready-to-use hardware solutions, such as solutions that the Simulink® Real-Time™ product produces.
- Is not relevant to standalone production code generation due to the lack of control over partition granularity.

Explicit partitioning:

- Use Model and Subsystem blocks to partition the model.
- Create an arbitrary number of tasks.
- Simulink assigns each partition to a task.
- Simulink imposes modeling constraints.
- Control the granularity of partitions.
- Split a sample rate into multiple tasks.
- Assign partitions to different processor cores.
- Is for standalone production code generation due to the level of control you have over granularity of partitions.

This example shows explicit partitioning.

Consider the following periodic multirate model that is set up for multitasking execution.



- Sample times for Inport blocks In1\_1s and In2\_2s are set to 1 and 2 seconds, respectively.

- To provide a clear partitioning of rates, sample times for models SS1 and SS2 are set to 1.
- The Rate Transition block explicitly models a rate transition.

To support concurrent execution of tasks in a multicore run-time environment, the preceding model was modified:

- The Integrator block is in a Model block configured with a fixed-step discrete solver and a step size of two seconds.
- Subsystems SS1 and SS2 were converted to Model blocks configured with a fixed-step discrete solver and a step size of one second.
- The Sum block is in a Model block configured with a fixed-step discrete solver and a step size of one second. Another option for the Sum block is to place it in SS1 or SS2 and compute its value coincident with the Model block. For concurrent execution of tasks, only connection blocks, Model blocks, and Subsystem blocks can be at the root level of a model.
- The Rate Transition block was removed.

### Relevant Model Configuration Parameter Settings

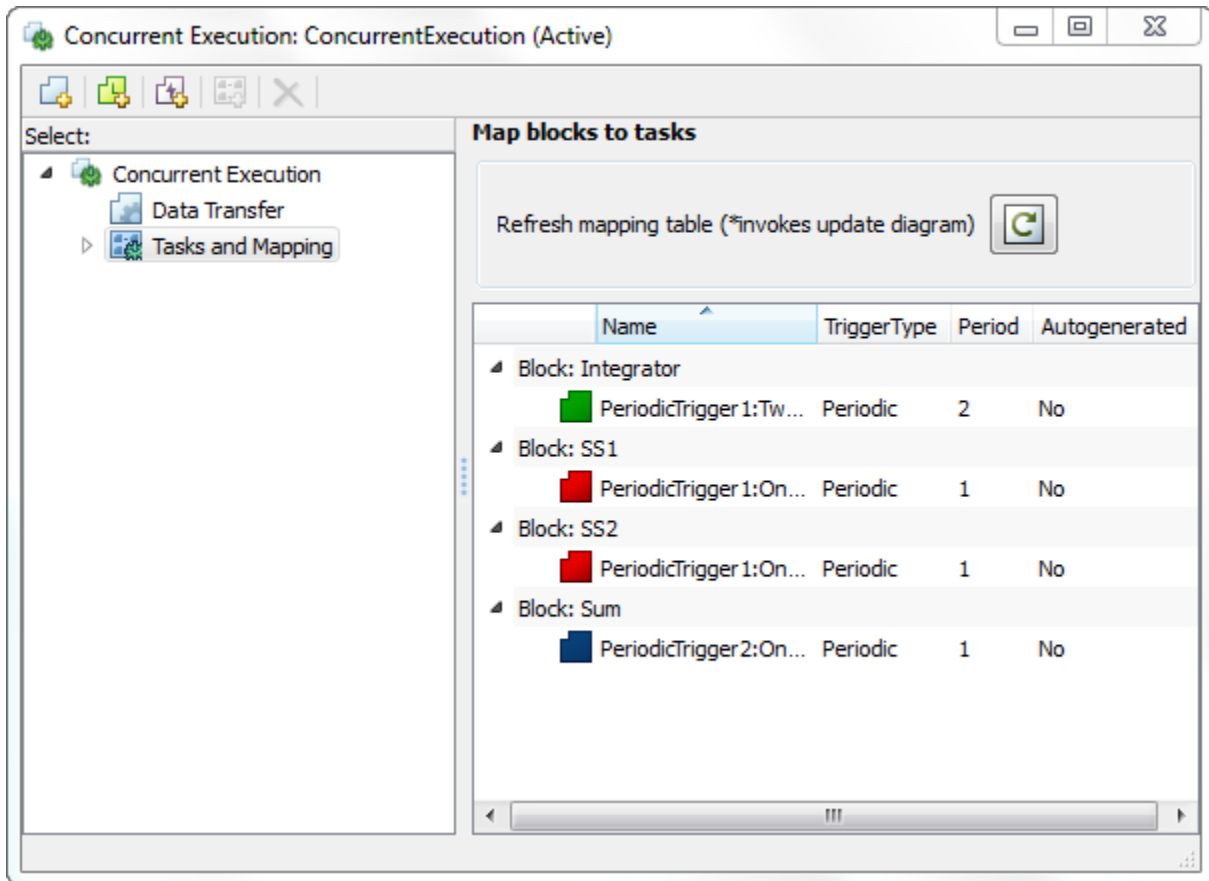
- **Solver > Type** set to Fixed-step.
- **Solver > Solver** set to discrete (no continuous states).
- **Solver > Tasking mode for periodic sample times** set to MultiTasking.
- **Solver > Automatically handle rate transition for data transfer** selected. Necessary because Rate Transition block was removed.
- **Solver > Allow tasks to execute concurrently on target** selected.

### Concurrent Execution Parameter Settings

Open the Concurrent Execution dialog box by clicking **Configure Tasks** on the Configuration Parameters **Solver** pane. Selecting **Allow tasks to execute concurrently on target** enables the **Configure Tasks** button.

When selected, the **Enable explicit model partitioning for concurrent behavior** parameter enables concurrent execution options for the top-level model.

Click **Tasks and Mapping** to review the tasks and mapping.



Simulink creates a default mapping for each partition (Model block) by assigning each partition to a separate task. Simulink designates that each partition executes concurrently and simulates latency effects that data communication between processor cores imposes. This dialog box displays a mapping consisting of partitions spread across two independent periodic triggers: SS1, SS2, and Sum mapped to periodic trigger 1 and Integrator mapped to periodic trigger 2.

### Scheduling

Simulink® simulates the model based on the model configuration. Code generated from the model implements the same execution semantics. Simulink propagates and uses the

Inport block sample times to order block execution based on a multicore, multitasking execution platform.

For this model, the sample time legend shows an implicit rate grouping. Red represents the fastest discrete rate. Green represents the second fastest discrete rate.

The generated code schedules subrates in the model. In this example, the rate for Inport block In2\_2s, the green rate, is a subrate. The generated code properly transfers data between the rates.

Benefits of implicit Simulink rate grouping:

- Simulink does not impose architectural constraints on the model. Create a model without imposing software architecture constraints within it.
- Your execution framework does not require details about underlying function scheduling and data transfers between rates. Therefore, model interface requirements are simplified. The execution framework uses generated interface code to write input, call the model step function, and read output.
- The code generator optimizes code across rates, based on multitasking execution semantics.

Simulink enforces data transfer constraints:

- Data transfers occur between a single read task and a single write task.
- Tasks run on a single processor.
- Processes do not stop or restart, especially during data transfers between tasks.
- Read and write operations on byte-sized variables are atomic.

Your execution framework can communicate with external devices for reading and writing model input. For example, model external devices by using Simulink S-Function blocks. Generate code for those blocks with the rest of the algorithm.

## **Generate Code and Report**

Generate code and a code generation report. The example model generates a report.

## **Review Generated Code**

From the code generation report, review the generated code.

- `ert_main.c` is an example main program (execution framework) for the model. This code controls model code execution by indirectly



calling entry-point functions `PeriodicTrigger1_OneSecond_step`, `PeriodicTrigger1_TwoSecond_step`, and `PeriodicTrigger2_OneSecond_step` with the function `rtwdemo_concurrent_execution_step`. Use this file as a starting point for coding your execution framework.

- `rtwdemo_concurrent_execution.c` contains entry points for the code that implements the model algorithm. This file includes the rate and task scheduling code.
- `rtwdemo_concurrent_execution.h` declares model data structures and a public interface to the model entry points and data structures.
- `model_reference_types.h` contains type definitions for timing bridges. These type definitions are generated for a model reference target or a model containing Model blocks.
- `rtw_windows.h` declares mutex and semaphore function prototypes that the generated code uses for concurrent execution on Microsoft® Windows® platforms.
- `rtwtypes.h` defines data types, structures, and macros that the generated code requires.

### Code Interface

Open and review the Code Interface Report. Use the information in that report to write the interface code for your execution framework:

- 1 Include the generated header file by adding directive `#include rtwdemo_concurrent_execution.h`.
- 2 Write input data to the generated code for model Inport blocks.
- 3 Call the generated entry-point functions.
- 4 Read data from the generated code for model Outport blocks.

Input ports:

- `In1_1s` of data type `real_T` with dimension of 1
- `In2_2s` of data type `real_T` with dimension of 1

Entry-point functions:

- Initialization entry-point function, `void rtwdemo_concurrent_execution_initialize(void)`. At startup, call this function once.
- Output and update entry-point (step) function, `void PeriodicTrigger1_OneSecond_step(void)`. Call this function periodically for

one of two tasks that require scheduling at the fastest rate in the model. For this model, call the function every second.

- Output and update entry-point function, `void PeriodicTrigger1_TwoSecond_step(void)`. Call this function periodically at the second fastest rate in the model. For this model, call the function every two seconds.
- Output and update entry-point function, `void PeriodicTrigger2_OneSecond_step(void)`. Call this function periodically for the second task that requires scheduling at the fastest rate in the model. For this model, call the function every second.

To achieve real-time execution, define a task or thread for each entry-point step function. Trigger execution of each function based on a timer that has the same rate as the given function. The operating system schedules the tasks across cores dynamically or based on your mapping of tasks to cores.

Output ports:

- `Out1_1s` of data type `real_T` with dimension 1
- `Out2_1s` of data type `real_T` with dimension 1

## More About

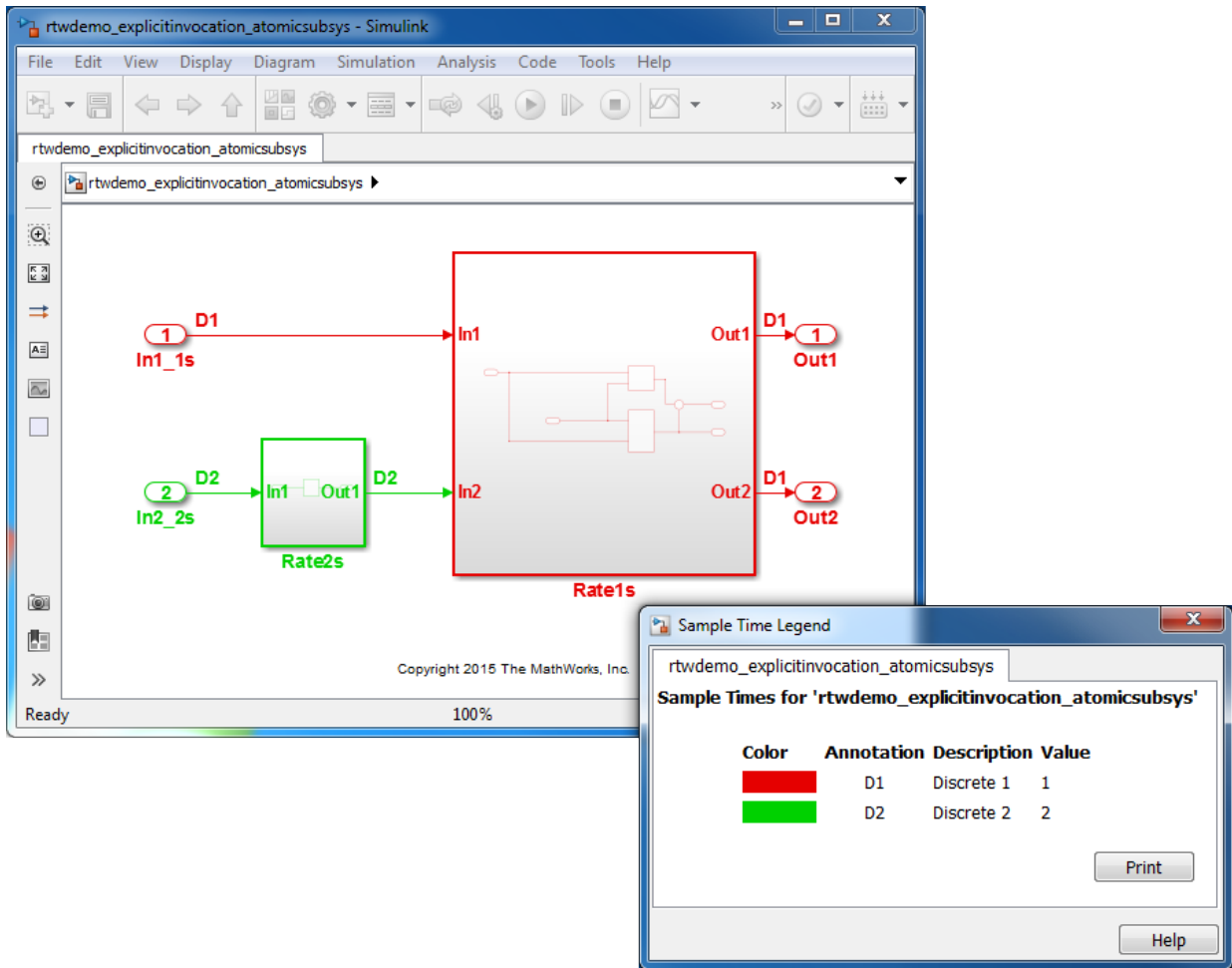
- “Multicore Processor Targets”
- “Deploy Generated Standalone Executables To Target Hardware”
- “Customize Code Organization and Format”

## Model Explicit Function Invocation with Atomic Subsystems

This example shows how to deploy embedded system code from Simulink® models by partitioning a model into multiple atomic subsystems that you build separately.

### **Atomic Subsystem Model**

Open the example model `rtwdemo_explicitinvocation_atomicsubsys`. The model is configured to display color-coded sample times with annotations. To see them, after opening the model, update the diagram by pressing **Ctrl+D**. To display the legend, press **Ctrl+J**.



This model partitions an algorithm into two atomic subsystems: Rate1s and Rate2s. Subsystem Rate1s is configured with a sample time of 1 second. Subsystem Rate2s is configured with a sample time of 2 seconds.

### Relevant Model Configuration Parameter Settings

- **Solver > Type** set to Fixed-step.
- **Solver > Solver** set to discrete (no continuous states).
- **Solver > Tasking mode for periodic sample times** set to SingleTasking.

## Scheduling

Simulink® simulates the model based on the model configuration. Simulink propagates and uses the Inport block sample times to order block execution based on a single-core, single-tasking execution platform.

For this example, the sample time legend shows implicit rate grouping. Red represents the fastest discrete rate. Green represents the second fastest discrete rate.

Based on ratemonotonic scheduling, your application code (execution framework) must transfer data between subsystems `Rate2s` and `Rate1s` at a frequency of 2 seconds with the priority of 1 second. That is, the generated function transfers data in the 1 second task every other time prior to executing code for subsystem `Rate1s`.

Your execution framework must schedule the generated function code and handle the data transfers between them. This is an advantage for multirate models because the generated code assumes no scheduling or data transfer semantics. However, the execution framework must handle data transfers explicitly.

## Generate Code and Report

Generate a single callable function for each subsystem without connections between them. Multiple ways are available to generate code for a subsystem, including from the subsystem context menu. For example, right-click a subsystem block and click **C/C++ Code > Build This Subsystem**. In the Build code for Subsystem dialog box, click **Build**.

The example model generates a report.

## Review Generated Code

From the code generation report, review the generated code.

- `ert_main.c` is an example main program (execution framework) for the subsystem. This code controls model code execution by calling entry-point function `Rate1s_step` or `Rate2s_step`. Use this file as a starting point for coding your execution framework.
- `Rate1s.c` and `Rate2s.c` contain entry points for the code that implements subsystem `Rate1s` and `Rate2s`, respectively. This file includes the rate and task scheduling code.
- `Rate1s.h` and `Rate2s.h` declare model data structures and a public interface to subsystem entry points and data structures.

- `rtwtypes.h` defines data types, structures, and macros that the generated code requires.

## Code Interface

Open and review the Code Interface Report. Use the information in that report to write the interface code for your execution framework:

- 1 Include the generated header file by adding directive `#include rtwdemo_explicitinvocation_atomicsusys.h`.
- 2 Write input data to the generated code for model Inport blocks.
- 3 Call the generated entry-point functions.
- 4 Read data from the generated code for model Outport blocks.

Input ports, `Rate1s`:

- `rtU.In1` of type `real_T` with dimension of 1
- `rtU.In2` of type `real_T` with dimension of 1

Entry-point functions, `Rate1s`:

- Initialize entry-point function, `void Rate1s_initialize(void)`. At startup, call this function once.
- Output and update entry-point (step) function, `void Rate1s_step(void)`. Call this function periodically, every second.
- Termination function, `void Rate1s_terminate(void)`. Call this function once from your shutdown code.

Output ports, `Rate1s`:

- `rtY.Out1` of type `real_T` with dimension of 1
- `rtY.Out2` of type `real_T` with dimension of 1

Input ports, `Rate2s`:

- `rtU.In1` of type `real_T` with dimension of 1

Entry-point functions, `Rate2s`:

- Initialize entry-point function, `void Rate2s_initialize(void)`. Call this function once at startup.

- Output and update entry-point (step), `void Rate2s_step(void)`. Call this function periodically, every 2 seconds.
- Termination function, `void Rate2s_terminate(void)`. Call this function once from your shutdown code.

Output ports, `Rate2s`:

- `rtY.Out1` of type `real_T` with dimension of 1

### **More About**

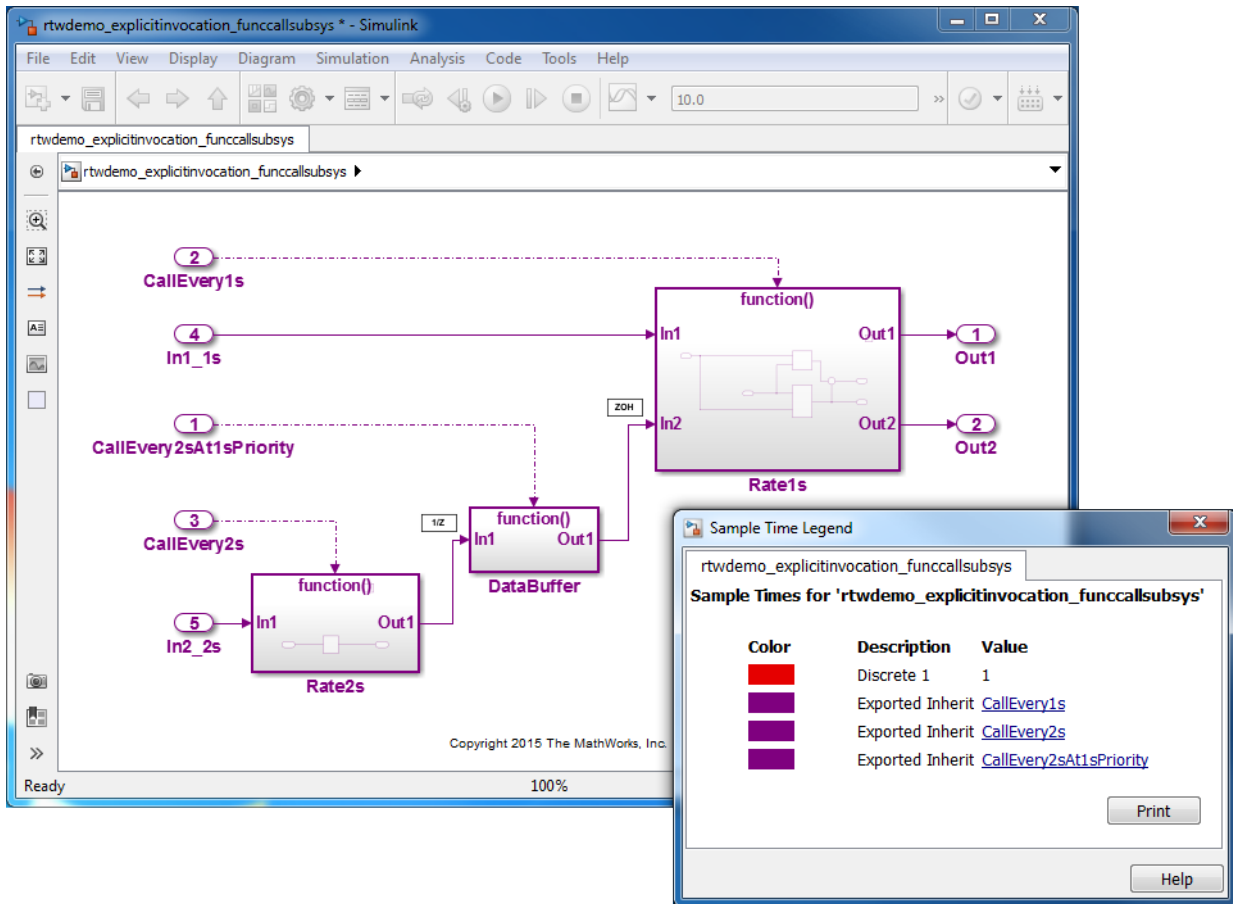
- “Generate Modular Function Code”
- “Deploy Generated Standalone Executables To Target Hardware”
- “Customize Code Organization and Format”

# Model Explicit Function Invocation with Function-Call Subsystems

This example shows how to deploy embedded system code from Simulink® models by partitioning a model into function-call subsystems that you build separately.

## Function-Call Subsystem Model

Open the example model `rtwdemo_explicitinvocation_funccallsubsys`. The model is configured to display color-coded sample times with annotations. To see them, after opening the model, update the diagram by pressing **Ctrl+D**. To display the legend, press **Ctrl+J**.





This model partitions an algorithm into three function-call subsystems: `Rate1s`, `Rate2s`, and `DataBuffer`. Use function-call subsystems to model multirate systems explicitly.

Subsystems `Rate1s` and `DataBuffer` use a sample time of 1 second. Subsystem `Rate2s` use a sample time of 2 seconds.

This model design is referred to as export function modeling. Simulink constrains the model to function-call subsystems at the root level. The driving `Inport` block specifies the function name.

### Relevant Model Configuration Parameter Settings

- **Solver > Type** set to `Fixed-step`.
- **Solver > Solver** set to `discrete (no continuous states)`.
- **Solver > Tasking mode for periodic sample times** set to `Auto`. Simulink applies multitasking execution because the model uses multiple sample rates.

### Scheduling

Simulink® simulates the model based on the model configuration. Simulink propagates and uses the `Inport` block sample times to order block execution based on a single-core, multitasking execution platform.

In the sample time legend, red identifies the fastest discrete rate. Magenta identifies rates inherited from exported functions, indicating their execution is outside the context of Simulink scheduling.

Your execution framework must schedule the generated function code and transfer data between functions.

Your execution framework needs to schedule the generated function code and handle data transfers between functions. The generated code is simple and you control the order of execution.

### Generate Code and Report

Generate code and a code generation report. The example model generates a report.

### Review Generated Code

From the code generation report, review the generated code.

- `ert_main.c` is an example main program (execution framework) for the model. This code shows how to call the exported functions. The code also shows how to initialize, execute, and terminate the generated code.
- `rtwdemo_explicitinvocation_funccallsubsys.c` calls the initialization function and exported functions for subsystems `Rate1s`, `Rate2s`, and `DataBuffer`.
- `rtwdemo_explicitinvocation_funccallsubsys.h` declares model data structures and a public interface to the exported entry point functions and data structures.
- `rtwtypes.h` defines data types, structures, and macros that the generated code requires.

## Code Interface

Open and review the Code Interface Report. Use the information in that report to write the interface code for your execution framework:

- 1 Include the generated header files by adding directives `#include Rate1s.h`, `#include DataBuffer.h`, and `#include Rate2s.h`.
- 2 Write input data to the generated code for model Inport blocks.
- 3 Call the generated entry-point functions.
- 4 Read data from the generated code for model Outport blocks.

Input ports:

- `rtU.In1_1s` of type `real_T` with dimension of 1
- `rtU.In2_2s` of type `real_T` with dimension of 1

Entry-point functions:

- Initialize entry-point function, `void rtwdemo_explicitinvocation_funccallsubsys_initialize(void)`. At startup, call this function once.
- Exported function, `void CallEvery1s(void)`. Call this function as needed.
- Exported function, `void CallEvery1s(void)`. Call this function as needed.
- Exported function, `void CallEvery2sAt1sPriority(void)`. Call this function as needed.

Output ports:

- `rtY.Out1` of type `real_T` with dimension of 1
- `rtY.Out2` of type `real_T` with dimension of 1

**More About**

- “Export Function-Call Subsystems”
- “Deploy Generated Standalone Executables To Target Hardware”
- “Customize Code Organization and Format”

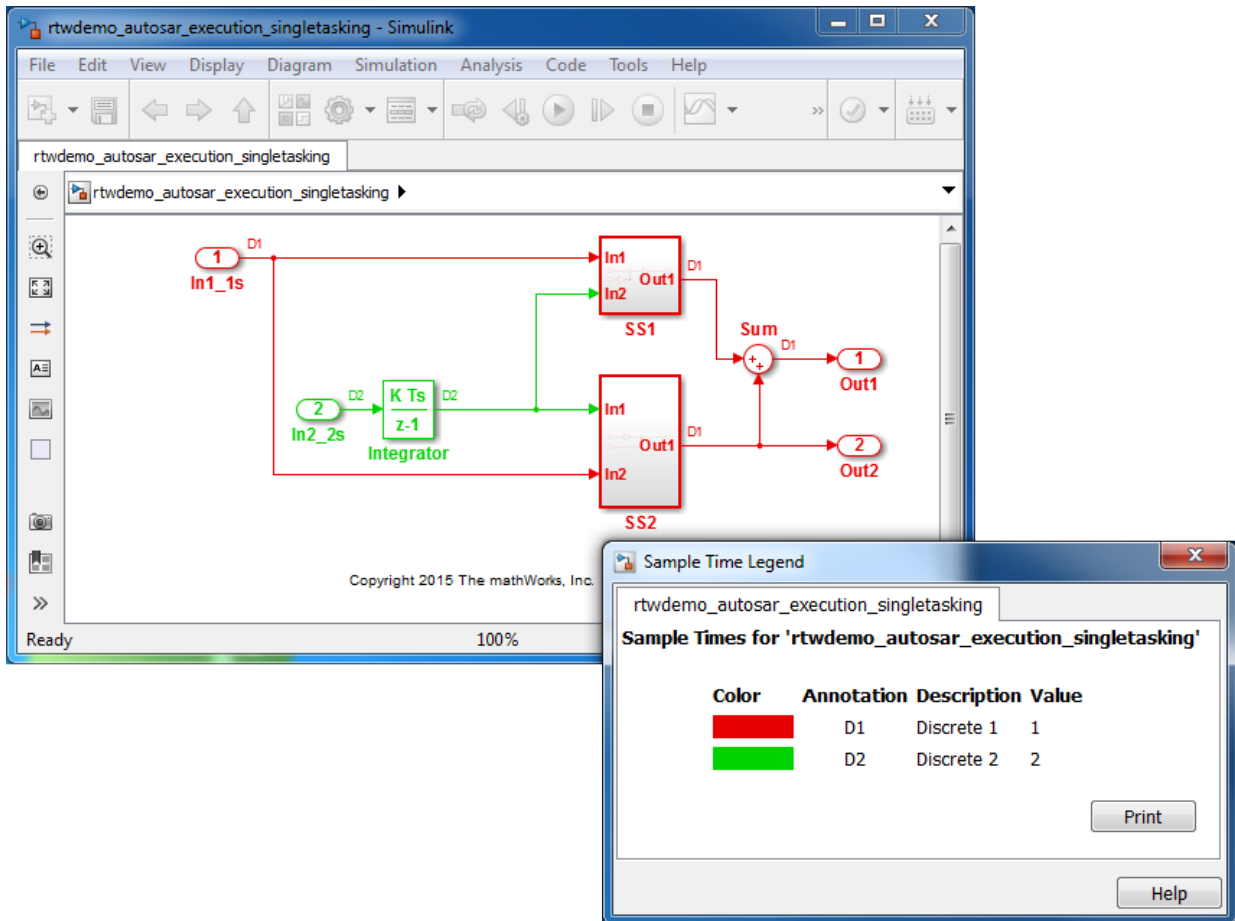
## Model for AUTOSAR Platform

This example shows different ways to use Simulink® to model AUTOSAR atomic software components.

An AUTOSAR Support Package is available for single and multirunnable code generation.

### **Unconstrained Rate-Based Model, Single-Tasking Mode**

Open the example model `rtwdemo_autosar_execution_singletasking`. The model is configured to display color-coded sample times with annotations. To see them, after opening the model, update the diagram by pressing **Ctrl+D**. To display the legend, press **Ctrl+J**.



This model uses implicit task-based semantics to generate code for AUTOSAR multirunnable execution. The model simulates in single-tasking mode.

### Relevant Model Configuration Parameter Settings

- **Solver > Type** set to Fixed-step.
- **Solver > Solver** set to discrete (no continuous states).
- **Solver > Fixed-step size (fundamental sample time)** set to 1.
- **Solver > Tasking mode for periodic sample times** set to SingleTasking.%

## Scheduling

The multiple rates are projected to the AUTOSAR RTE as a 1-second rate and a 2-second rate. The generated code manages the rates by using single-tasking assumptions. For single-rate models, the code generator does not produce scheduling code because there is only a single rate to execute. Use this technique for a single-rate application when you have one periodic runnable.

In the model window, enable sample time color-coding by clicking **Display > Sample Time > Colors**. The sample time legend shows the implicit rate grouping. Red represents the fastest discrete rate. Green represents the second fastest discrete rate.

The generated code schedules subrates in the model. In this example, the rate for Inport block In2\_2s, the green rate, is a subrate. The generated code properly transfers data between tasks that run at the different rates.

## Generate Code and Report

Generate code and a code generation report. The example model generates a report.

Generated code complies with AUTOSAR so that you can schedule the code with the AUTOSAR run-time environment (RTE).

## Review Generated Code

From the code generation report, review the generated code.

- `rtwdemo_autosar_execution_singletasking.c` contains entry points for the code that implements the model algorithm. This file includes the rate scheduling code.
- `rtwdemo_autosar_execution_singletasking.h` declares model data structures and a public interface to the model entry points and data structures.
- `rtwdemo_autosar_execution_singletasking_private.h` contains local `define` constants and local data required by the model and subsystems.
- `rtwdemo_autosar_execution_singletasking_types.h` provides forward declarations for the real-time model data structure and the parameters data structure.
- `rtwtypes.h` defines data types, structures, and macros that the generated code requires.
- `rtwdemo_autosar_execution_singletasking_component.xml`,  
`rtwdemo_autosar_execution_singletasking_datatype.xml`,

`rtwdemo_autosar_execution_singletasking_implementation.arxml`, and `rtwdemo_autosar_execution_singletasking_interface.arxml` contain elements and objects that represent AUTOSAR software components, ports, interfaces, data types, and packages. You import these files into the Simulink environment by using the AUTOSAR `arxml` importer tool.

- `Compiler.h`, `Platform_Types.h`, `Rte_MultirateSingletaskingAutosa.h`, `Rte_Type.h`, and `Std_Types.h` contain stub implementations of AUTOSAR RTE functions. Use these files to test the generated code in Simulink, for example, in software-in-the-loop (SIL) or processor-in-the-loop (PIL) simulations of the component under test.

### Code Interface

Open and review the Code Interface Report. Use the information in that report to write the interface code for your execution framework:

- 1 Include the generated header files by adding `#include` directives.
- 2 Write input data to the generated code for model Inport blocks.
- 3 Call the generated entry-point functions.
- 4 Read data from the generated code for model Outport blocks.

Input ports:

- Require port, interface: sender-receiver of type `real-T` of 1 dimension
- Require port, interface: sender-receiver of type `real-T` of 1 dimension

Entry-point functions:

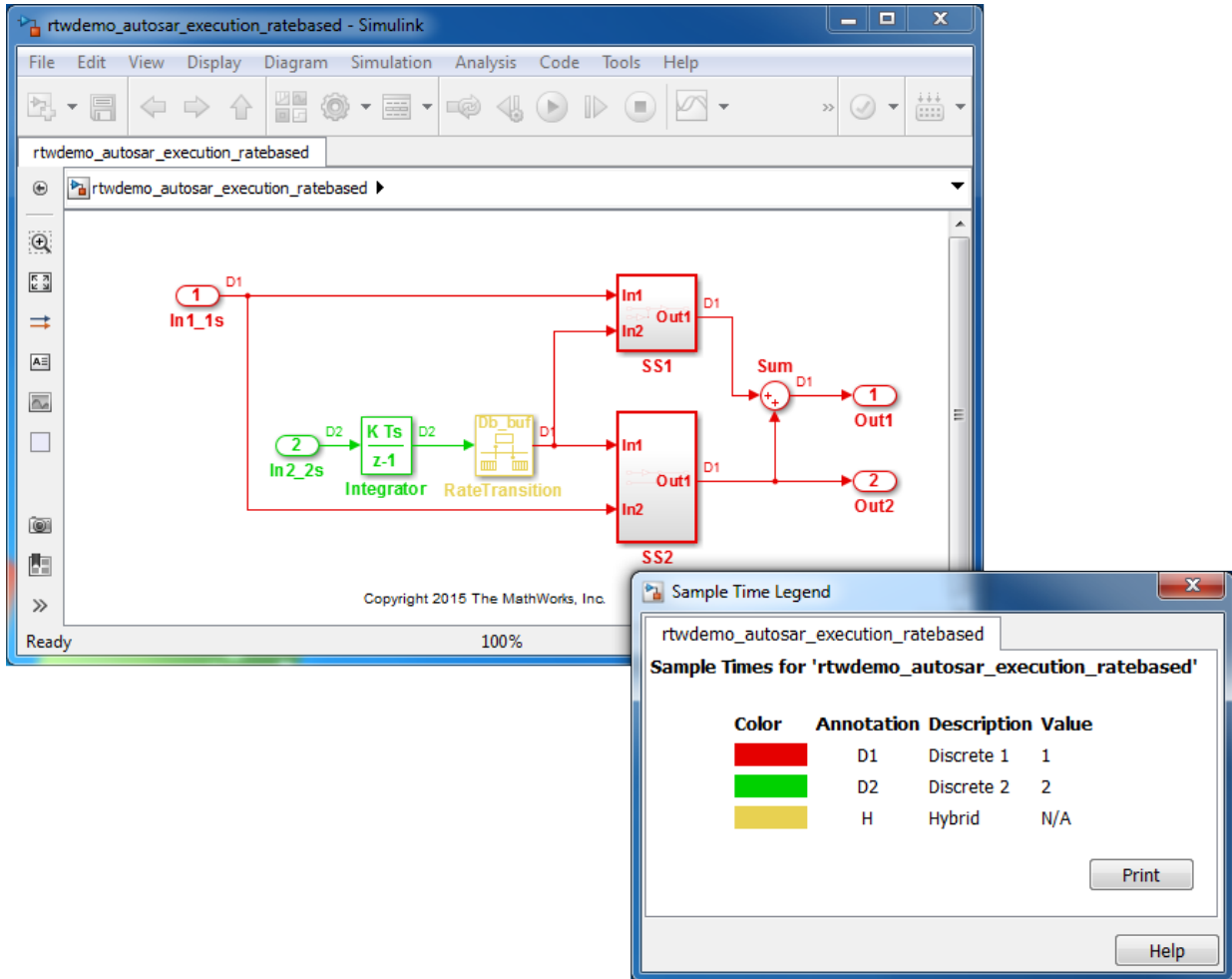
- Initialization entry-point function, `void Runnable_Init(void)`. At startup, call this function once.
- Output and update entry-point (step) function, `void Runnable_Step(void)`. Call this function periodically at the fastest rate in the model. For this model, call the function every second. To achieve real-time execution, attach this function to a timer.

Output ports:

- Provide port, interface: sender-receiver of type `real-T` of 1 dimension
- Provide port, interface: sender-receiver of type `real-T` of 1 dimension

## Unconstrained Rate-Based Model, Multitasking Mode

Open the example model `rtwdemo_autosar_execution_ratebased`. The model is configured to display color-coded sample times with annotations. To see them, after opening the model, update the diagram by pressing **Ctrl+D**. To display the legend, press **Ctrl+J**.



This model simulates in multitasking mode. The model handles the rate transition for `In2_2s` explicitly with the Rate Transition block.



AUTOSAR does not support rate monotonic scheduling of runnables. Thus, the Rate Transition block parameter **Ensure deterministic data transfer** is cleared.

### Relevant Model Configuration Parameter Settings

- **Solver > Type** set to Fixed-step.
- **Solver > Solver** set to discrete (no continuous states).
- **Solver > Fixed-step size (fundamental sample time)** set to auto.
- **Solver > Tasking mode for periodic sample times** set to MultiTasking.

### Scheduling

In the model window, enable sample time color-coding by clicking **Display > Sample Time > Colors**. The sample time legend shows the implicit rate grouping. Red represents the fastest discrete rate. Green represents the second fastest discrete rate. Yellow represents the mixture of the two rates.

The generated code schedules subrates in the model. In this example, the rate for Inport block `In2_2s`, the green rate, is a subrate. The generated code properly transfers data between tasks that run at the different rates.

### Generate Code and Report

Generate code and a code generation report. The example model generates a report.

Generated code complies with AUTOSAR so that you can schedule the code with the AUTOSAR run-time environment (RTE).

### Review Generated Code

From the code generation report, review the generated code.

- `rtwdemo_autosar_execution_ratebased.c` contains entry points for the code that implements the model algorithm. This file includes the rate scheduling code.
- `rtwdemo_autosar_execution_ratebased.h` declares model data structures and a public interface to the model entry points and data structures.
- `rtwdemo_autosar_execution_ratebased_private.h` contains local `define` constants and local data required by the model and subsystems.
- `rtwdemo_autosar_execution_ratebased_types.h` provides forward declarations for the real-time model data structure and the parameters data structure.

- `rtwtypes.h` defines data types, structures, and macros that the generated code requires.
- `rtwdemo_autosar_execution_ratebased_component.arxml`, `rtwdemo_autosar_execution_ratebased_datatype.arxml`, `rtwdemo_autosar_execution_ratebased_implementation.arxml`, and `rtwdemo_autosar_execution_ratebased_interface.arxml` contain elements and objects that represent AUTOSAR software components, ports, interfaces, data types, and packages. You import these files into the Simulink environment by using the AUTOSAR arxml importer tool.
- `Compiler.h`, `Platform_Types.h`, `Rte_AUTOSARExecutionRatebased.h`, `Rte_Type.h`, and `Std_Types.h` contain stub implementations of AUTOSAR RTE functions. Use these files to test the generated code in Simulink, for example, in software-in-the-loop (SIL) or processor-in-the-loop (PIL) simulations of the component under test.

## Code Interface

Open and review the Code Interface Report. Use the information in that report to write the interface code for your execution framework:

- 1 Include the generated header files by adding `#include` directives.
- 2 Write input data to the generated code for model Inport blocks.
- 3 Call the generated entry-point functions.
- 4 Read data from the generated code for model Outport blocks.

Input ports:

- Require port, interface: sender-receiver of type `real-T` of 1 dimension
- Require port, interface: sender-receiver of type `real-T` of 1 dimension% Entry-point functions:

Entry-point functions:

- Initialization entry-point function, `void Runnable_Init(void)`. At startup, call this function once.
- Output and update entry-point (step) function, `void Runnable_Step1(void)`. Call this function periodically at the fastest rate in the model. For this model, call the function every second. To achieve real-time execution, attach this function to a timer.

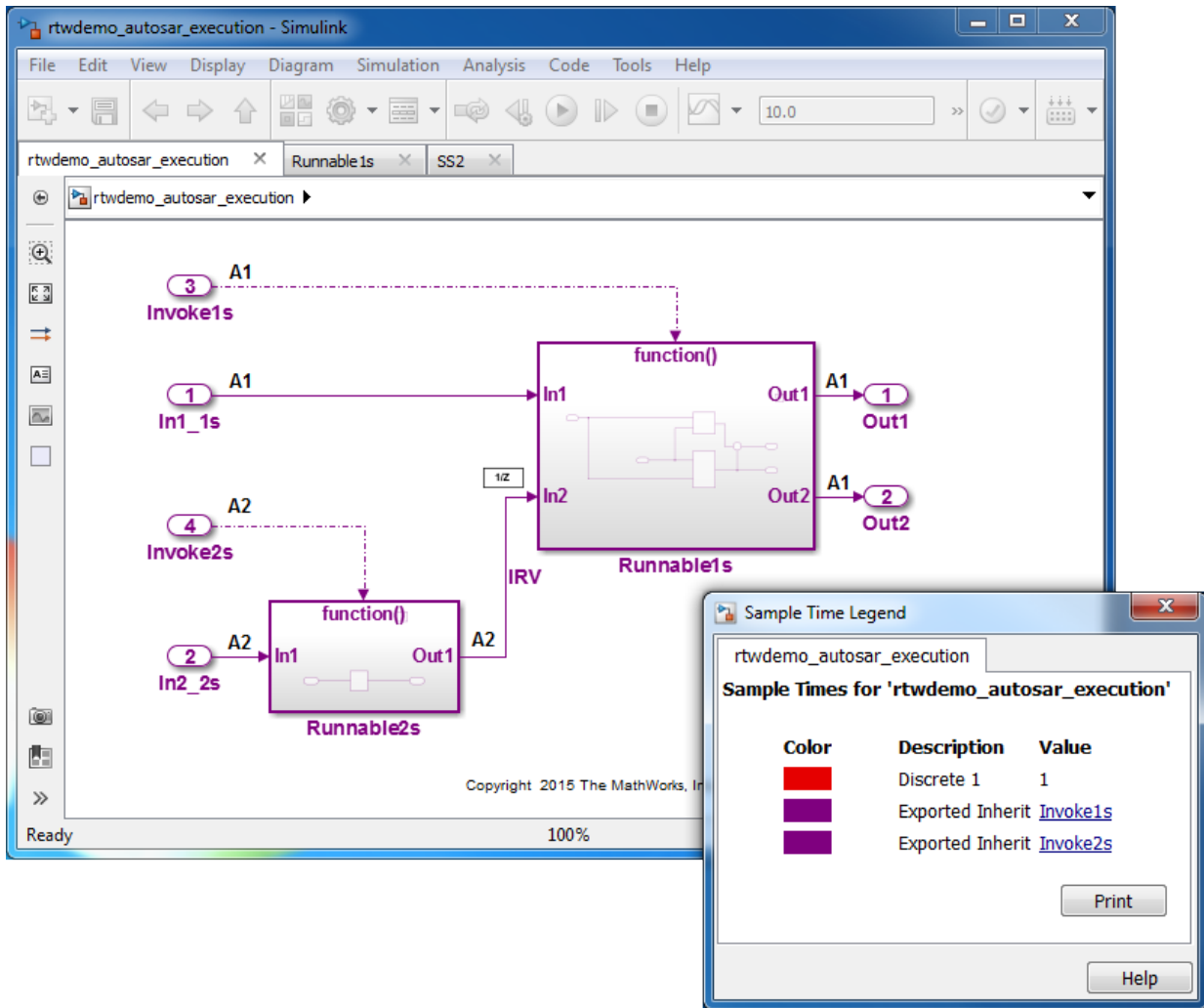
- Output and update entry-point function, `void Runnable_Step2(void)`. Call this function periodically at the second fastest rate in the model. For this model, call the function every 2 seconds. To achieve real-time execution, attach this function to a timer.

Output ports:

- Provide port, interface: sender-receiver of type `real-T` of 1 dimension
- Provide port, interface: sender-receiver of type `real-T` of 1 dimension

### **Function-Call Subsystem Model**

Open the example model `rtwdemo_autosar_execution`. The model is configured to display color-coded sample times with annotations. To see them, after opening the model, update the diagram by pressing **Ctrl+D**. To display the legend, press **Ctrl+J**.



This model uses two function-call subsystems, `Runnable1s` and `Runnable2s`, to represent parts of an algorithm requiring sample rates of 1 second and 2 seconds, respectively. The code generator schedules the code for each subsystem separately. The sample times of the Inport blocks that invoke the function call subsystems are set to rates of 1 second and 2 seconds.

Use function-call subsystems:

- When it is difficult or not possible to specify system events in a Simulink model.
- To achieve complex multirate scheduling of runnables. Model each rate as a separate function-call subsystem.

### **Relevant Model Configuration Parameter Settings**

- **Solver > Type** set to **Fixed-step**.
- **Solver > Solver** set to **discrete (no continuous states)**.
- **Solver > Fixed-step size (fundamental sample time)** set to **1**.
- **Solver > Tasking mode for periodic sample times** set to **Auto**.

### **Scheduling**

In the model window, enable sample time color-coding by clicking **Display > Sample Time > Colors**. The sample time legend shows the implicit rate grouping. Red identifies the fastest discrete rate. Magenta identifies rates inherited from exported functions, indicating their execution is outside the context of Simulink scheduling.

Your execution framework must schedule the generated function code and handle data transfers between functions.

### **Generate Code and Report**

Generate code and a code generation report. The example model generates a report.

The code generator:

- Produces an AUTOSAR runnable for each function-call subsystem at the root level of the model.
- Implements signal connections between runnables as AUTOSAR interrunable variables (IRVs).

Generated code complies with AUTOSAR so that you can schedule the code with the AUTOSAR run-time environment (RTE).

### **Review Generated Code**

From the code generation report, review the generated code.

- `rtwdemo_autosar_execution.c` contains entry points for the code that implements the model algorithm. This file includes the rate scheduling code.

- `rtwdemo_autosar_execution.h` declares model data structures and a public interface to the model entry points and data structures.
- `rtwdemo_autosar_execution_private.h` contains local `define` constants and local data required by the model and subsystems.
- `rtwdemo_autosar_execution_types.h` provides forward declarations for the real-time model data structure and the parameters data structure.
- `rtwtypes.h` defines data types, structures, and macros that the generated code requires.
- `rtwdemo_autosar_execution_component.arxml`, `rtwdemo_autosar_execution_datatype.arxml`, `rtwdemo_autosar_execution_implementation.arxml`, and `rtwdemo_autosar_execution_interface.arxml` contain elements and objects that represent AUTOSAR software components, ports, interfaces, data types, and packages. You import these files into the Simulink environment by using the AUTOSAR arxml importer tool.
- `Compiler.h`, `Platform_Types.h`, `Rte_AutosarExecution.h`, `Rte_type.h`, and `Std_Types.h` contain stub implementations of AUTOSAR RTE functions. Use these files to test the generated code in Simulink, for example, in software-in-the-loop (SIL) or processor-in-the-loop (PIL) simulations of the component under test.

## Code Interface

Open and review the Code Interface Report. Use the information in that report to write the interface code for your execution framework:

- 1 Include the generated header files by adding `#include` directives.
- 2 Write input data to the generated code for model Inport blocks.
- 3 Call the generated entry-point functions.
- 4 Read data from the generated code for model Outport blocks.

Input ports:

- Require port, interface: sender-receiver of type `real - T` of 1 dimension
- Require port, interface: sender-receiver of type `real - T` of 1 dimension% Entry-point functions:

Entry-point functions:

- Initialization entry-point function, `void Runnable_Init(void)`. At startup, call this function once.
- Exported function, `void Invoke1s(void)`. Call this function periodically, every second.
- Exported function, `void Invoke2s(void)`. Call this function periodically, every 2 seconds.

Output ports:

- Provide port, interface: sender-receiver of type `real-T` of 1 dimension
- Provide port, interface: sender-receiver of type `real-T` of 1 dimension

### **More About**

- “AUTOSAR Component Creation”
- “AUTOSAR Code Generation”





# Guidelines and Standards

---

- “Support for Standards and Guidelines” on page 2-2
- “MAAB Guidelines” on page 2-4
- “MISRA C Guidelines” on page 2-5
- “IEC 61508 Standard” on page 2-7
- “Develop a Model that Complies with the IEC 61508 Standard” on page 2-9
- “IEC 62304 Standard” on page 2-12
- “ISO 26262 Standard” on page 2-13
- “EN 50128 Standard” on page 2-15
- “DO-178C Standard” on page 2-17

## Support for Standards and Guidelines

If your application has mission-critical development and certification goals, your models or subsystems and the code generated for them might need to comply with one or more of the standards and guidelines listed in the following table.

Standard or Guidelines	Organization	For More Information, See...
Guidelines: Use of MATLAB, Simulink, and Stateflow software for control algorithm modeling – MathWorks Automotive Advisory Board (MAAB) Guidelines	MAAB	<ul style="list-style-type: none"> <li>• Control Algorithm Modeling Guidelines Using MATLAB, Simulink, and Stateflow Software: MathWorks Automotive Advisory Board (MAAB) Guidelines</li> <li>• Develop Models and Code That Comply with “MAAB Guidelines” on page 2-4</li> </ul>
Guidelines: Use of the C Language in Critical Systems (MISRA C <sup>®a</sup> )	Motor Industry Software Reliability Association (MISRA)	<ul style="list-style-type: none"> <li>• MISRA C website</li> <li>• Technical Solution 1-1IFP0W on the MathWorks website</li> <li>• Develop Models and Code That Comply with “MISRA C Guidelines” on page 2-5</li> </ul>
Standard: AUTomotive Open System ARchitecture (AUTOSAR)	AUTOSAR Development Partnership	<ul style="list-style-type: none"> <li>• Publications and specifications available from the AUTOSAR website</li> <li>• AUTOSAR Support from Embedded Coder on the MathWorks website</li> <li>• “AUTOSAR Standard”</li> <li>• Embedded Coder “AUTOSAR” documentation</li> </ul>
Standard: IEC 61508, Functional safety of electrical/electronic/programmable electronic safety-related systems	International Electrotechnical Commission	<ul style="list-style-type: none"> <li>• IEC functional safety zone website</li> <li>• IEC 61508 Support in MATLAB and Simulink</li> </ul>

Standard or Guidelines	Organization	For More Information, See...
		<ul style="list-style-type: none"> <li>Develop Models and Code That Comply with “IEC 61508 Standard” on page 2-7</li> </ul>
Standard: IEC 62304, Medical device software - Software life cycle processes	International Electrotechnical Commission	<ul style="list-style-type: none"> <li>Develop Models and Code That Comply with “IEC 62304 Standard” on page 2-12</li> </ul>
Standard: ISO 26262, Road Vehicles - Functional Safety	International Organization for Standardization	<ul style="list-style-type: none"> <li>ISO 26262 Support in MATLAB and Simulink</li> <li>Develop Models and Code That Comply with “ISO 26262 Standard” on page 2-13</li> </ul>
Standard: EN 50128, Railway applications — Software for railway control and protection systems	European Committee for Electrotechnical Standardization	<ul style="list-style-type: none"> <li>Develop Models and Code That Comply with “EN 50128 Standard” on page 2-15</li> </ul>
Standard: DO-178C, Software Considerations in Airborne Systems and Equipment Certification	Radio Technical Commission for Aeronautics (RTCA)	<ul style="list-style-type: none"> <li>Develop Models and Code That Comply with “DO-178C Standard” on page 2-17</li> </ul>

- a. MISRA<sup>®</sup> and MISRA C are registered trademarks of MISRA Ltd., held on behalf of the MISRA Consortium.

### MAAB Guidelines

The MathWorks Automotive Advisory Board (MAAB) involves major automotive OEMs and suppliers in the process of evolving MathWorks controls, simulation, and code generation products, including Simulink, Stateflow, and Simulink Coder. An important result of the MAAB has been the “MAAB Control Algorithm Modeling” guidelines.

If you have a Simulink Verification and Validation product license, you can check that your Simulink model or subsystem, and the code that you generate from it, complies with MAAB guidelines. To check your model or subsystem, open the Simulink Model Advisor. Navigate to **By Product > Simulink Verification and Validation > Modeling Standards > MathWorks Automotive Advisory Board Checks** and run the MathWorks Automotive Advisory Board checks.

For more information on using the Model Advisor, see “Run Model Checks” in the Simulink documentation.

## MISRA C Guidelines

The Motor Industry Software Reliability Association (MISRA<sup>2</sup>) has established “Guidelines for the Use of the C Language in Critical Systems” (MISRA C). For general information about MISRA C, see [www.misra-c.com](http://www.misra-c.com).

In 1998, MIRA Ltd. published MISRA C (MISRA C:1998) to provide a restricted subset of a standardized, structured language that met Safety Integrity Level (SIL) 2 and higher. A major update based on feedback was published in 2004 (MISRA C:2004), followed by a minor update in 2007 known as Technical Corrigendum (TC1).

In 2007, MIRA Ltd. published the MISRA AC AGC standard, “MISRA AC AGC: Guidelines for the Application of MISRA-C:2004 in the Context of Automatic Code Generation.” MISRA AC AGC does not change MISRA C:2004 rules, rather it modifies the adherence recommendation.

In 2013, MIRA Ltd. published the MISRA C:2012 standard, “Guidelines for the use of the C language in critical systems.” MISRA C:2012 provides improvements based on user feedback and includes guidance on automatic code generation.

For more information about MISRA C, see [www.misra-c.com](http://www.misra-c.com).

Embedded Coder and Simulink offer capabilities to minimize the potential for MISRA C rule violations.

To configure a model or subsystem so that the code generator is most likely to produce MISRA C:2012 compliant code, use the Code Generation Advisor. For more information, see “Configure Model for Code Generation Objectives Using Code Generation Advisor” on page 14-2.

The Model Advisor also checks that you developed your model or subsystem to increase the likelihood of generating MISRA C:2012 compliant code. To check your model or subsystem:

- 1 Open the Model Advisor.
- 2 Navigate to **By Task > Modeling Guidelines for MISRA C:2012**.
- 3 Run the checks in the folder.

For more information about using the Model Advisor, see “Run Model Checks” in the Simulink documentation.

---

2. MISRA and MISRA C are registered trademarks of MIRA Ltd., held on behalf of the MISRA Consortium.

For information about using Embedded Coder software within MISRA C guidelines, see Technical Solution 1-1IFPOW on the MathWorks website.

## IEC 61508 Standard

### In this section...

“Apply Simulink and Embedded Coder to the IEC 61508 Standard” on page 2-7

“Check for IEC 61508 Standard Compliance Using the Model Advisor” on page 2-7

“Validate Traceability” on page 2-7

### Apply Simulink and Embedded Coder to the IEC 61508 Standard

Applying Model-Based Design to a safety-critical system requires extra consideration and rigor so that the system adheres to defined safety standards. IEC 61508, Functional safety of electrical/electronic/programmable electronic safety related systems, is such a standard. Because the standard was published when most software was coded by hand, the standard needs to be mapped to Model-Based Design technologies. For further information about MathWorks support for IEC 61508, see IEC 61508 Support in MATLAB and Simulink.

MathWorks provides an IEC Certification Kit product that you can use to certify MathWorks code generation and verification tools for projects based on the IEC 61508 standard. For more information, see <http://www.mathworks.com/products/iec-61508/>.

### Check for IEC 61508 Standard Compliance Using the Model Advisor

If you have a Simulink Verification and Validation product license, you can check that your Simulink model or subsystem and the code that you generate from it complies with selected aspects of the IEC 61508 standard by running the Simulink Model Advisor. Navigate to **By Task > Modeling Standards for IEC 61508** and run the “IEC 61508, IEC 62304, ISO 26262, and EN 50128 Checks”.

For more information on using the Model Advisor, see “Run Model Checks” in the Simulink documentation.

### Validate Traceability

Typically, applications that require certification require some level of traceability between requirements, models, and corresponding code.

<b>To...</b>	<b>Use...</b>
Associate requirements documents with objects in Simulink models	The “Requirements Traceability” that is available if you have a Simulink Verification and Validation license.
Trace model blocks and subsystems to generated code	The “Trace Model Objects to Generated Code” on page 33-8 when generating an HTML report during the code generation or build process.
Trace generated code to model blocks and subsystems	The “Trace Code to Model Objects Using Hyperlinks” on page 33-6 when generating an HTML report during the code generation or build process.



## Develop a Model that Complies with the IEC 61508 Standard

This example shows how to use Model Advisor checks for the IEC 61508 standard to develop a model and code that comply with the standard.

The IEC 61508 checks identify issues with a model that impede deployment in safety-related applications or limit traceability.

### Understanding the Model

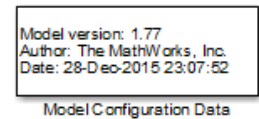
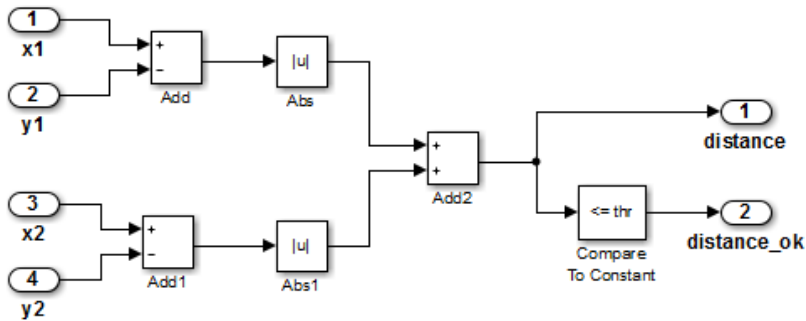
According to the functional requirements, a model shall be created that checks whether the 1-norm distance between points  $(x_1, x_2)$  and  $(y_1, y_2)$  is less than or equal to a given threshold `thr`. For two points  $(x_1, x_2)$  and  $(y_1, y_2)$ , the 1-norm distance is given as:

$$\sum_{i=1}^2 |x_i - y_i|$$

The `rtwdemo_iec61508` model implements the preceding requirement. Open and get familiar with the model.

```
model='rtwdemo_iec61508';  
open_system(model)
```

### Using the IEC 61508 Modeling Standard Checks



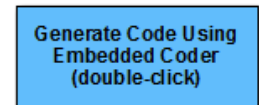
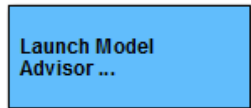
#### Description

This example uses Model Advisor checks for the IEC 61508 standard to facilitate developing a model and code that comply with that standard. The IEC 61508 checks identify issues with a model that might impede deployment in safety-related applications or limit traceability.

#### Instructions

1. Start the Model Advisor by selecting Analysis > Model Advisor.
2. Expand the By Task > Modeling Standards for IEC 61508 group of checks.
3. Select all checks within the group and the "Show report after run" option.
4. Click the Run Selected Checks button.
5. Inspect the check results and the generated Model Advisor report.
6. Fix reported issues.
7. Rerun the checks.

Double-click the Launch Model Advisor button to automate step 1.  
Double-click the Generate Code Using Embedded Coder button to generate source code and open the code generation HTML report.



Copyright 2008-2012 The MathWorks, Inc.

This example requires a Simulink Verification and Validation license.

### Apply the IEC 61508 Modeling Standard Checks

To deploy the model in a safety-related software component that must comply with the IEC 61508 safety standard, check the model for issues that might impede deployment in such an environment or limit traceability between the model and generated source code.

To identify possible compliance issues with the model:

- 1 Start the Model Advisor by selecting **Analysis > Analysis > Model Advisor** or by entering `modeladvisor('rtwdemo_IEC61508')` at the MATLAB command line.
- 2 In the **Task Hierarchy**, expand **By Task > Modeling Standards for IEC 61508**.
- 3 Select the checks within the group.
- 4 Select **Show report after run** to generate an HTML report that shows the check results.
- 5 Click **Run Selected Checks**. Model Advisor processes the IEC 61508 checks and displays the results.

To review the check results and make changes:

- 1 Review the **Summary** in the **Report** section of the right pane.
- 2 In the **Task Hierarchy**, select a check that did not pass. Review the results that appear in the right pane for that check. For more information on the check and on how to resolve reported issues, with the check selected, click **Help**.
- 3 Click the **Generate Code Using Embedded Coder** button in the model to inspect the generated code and the traceability report.
- 4 Resolve the reported issues and rerun the checks.
- 5 Review the generated HTML report of the check results by clicking the link in the **Report** box.
- 6 Print the generated HTML report. You can use the report as evidence in the IEC 61508 compliance example process.

### See Also

- For descriptions of the IEC 61508 checks, see IEC 61508, IEC 62304, ISO 26262, and EN 50128 Checks in the Simulink Verification and Validation documentation.
- For more information on using Model Advisor, see Run Model Checks in the Simulink documentation.

## IEC 62304 Standard

### Apply Simulink and Embedded Coder to the IEC 62304 Standard

Applying Model-Based Design to a safety-critical system requires extra consideration and rigor so that the system adheres to defined safety standards. Standard: IEC 62304, Medical device software - Software life cycle processes, is such a standard.

MathWorks provides an IEC Certification Kit product that you can use to certify MathWorks code generation and verification tools for projects based on the IEC 62304 standard. For more information, see <http://www.mathworks.com/products/iec-61508/>.

### Check for IEC 62304 Standard Compliance Using the Model Advisor

If you have a Simulink Verification and Validation product license, you can check that your Simulink model or subsystem and the code that you generate from it complies with selected aspects of the IEC 62304 standard by running the Simulink Model Advisor. Navigate to **By Task > Modeling Standards for IEC 62304** and run the “IEC 61508, IEC 62304, ISO 26262, and EN 50128 Checks”.

For more information on using the Model Advisor, see “Run Model Checks” in the Simulink documentation.

## ISO 26262 Standard

### In this section...

“Apply Simulink and Embedded Coder to the ISO 26262 Standard” on page 2-13

“Check for ISO 26262 Standard Compliance Using the Model Advisor” on page 2-13

“Validate Traceability” on page 2-7

### Apply Simulink and Embedded Coder to the ISO 26262 Standard

Applying Model-Based Design to a safety-critical system requires extra consideration and rigor so that the system adheres to defined functional safety standards. ISO 26262, Road Vehicles - Functional Safety, is such a standard. For further information about MathWorks support for ISO 26262, see ISO 26262 Support in MATLAB and Simulink.

MathWorks provides an IEC Certification Kit product that you can use to qualify MathWorks code generation and verification tools for projects based on the ISO 26262 standard. For more information, see <http://www.mathworks.com/products/iso-26262/>.

### Check for ISO 26262 Standard Compliance Using the Model Advisor

If you have a Simulink Verification and Validation product license, you can check that your Simulink model or subsystem and the code that you generate from it complies with selected aspects of the ISO 26262 standard by running the Simulink Model Advisor. Navigate to **By Task > Modeling Standards for ISO 26262** and run the “IEC 61508, IEC 62304, ISO 26262, and EN 50128 Checks”.

For more information on using the Model Advisor, see “Run Model Checks” in the Simulink documentation.

### Validate Traceability

Typically, applications that require certification require some level of traceability between requirements, models, and corresponding code.

To...	Use...
Associate requirements documents with objects in Simulink models	The “Requirements Traceability” that is available if you have a Simulink Verification and Validation license.

<b>To...</b>	<b>Use...</b>
Trace model blocks and subsystems to generated code	The “Trace Model Objects to Generated Code” on page 33-8 when generating an HTML report during the code generation or build process.
Trace generated code to model blocks and subsystems	The “Trace Code to Model Objects Using Hyperlinks” on page 33-6 when generating an HTML report during the code generation or build process.

## EN 50128 Standard

### In this section...

“Apply Simulink and Embedded Coder to the EN 50128 Standard” on page 2-15  
 “Check for EN 50128 Standard Compliance Using the Model Advisor” on page 2-15  
 “Validate Traceability” on page 2-7

### Apply Simulink and Embedded Coder to the EN 50128 Standard

Applying Model-Based Design to a safety-critical system requires extra consideration and rigor so that the system adheres to defined safety standards. EN 50128, Railway applications — Software for railway control and protection systems, is such a standard.

MathWorks provides an IEC Certification Kit product that you can use to certify MathWorks code generation and verification tools for projects based on the EN 50128 standard. For more information, see <http://www.mathworks.com/products/iec-61508/>.

### Check for EN 50128 Standard Compliance Using the Model Advisor

If you have a Simulink Verification and Validation product license, you can check that your Simulink model or subsystem and the code that you generate from it complies with selected aspects of the EN 50128 standard by running the Simulink Model Advisor. Navigate to **By Task > Modeling Standards for EN 50128** and run the “IEC 61508, IEC 62304, ISO 26262, and EN 50128 Checks”.

For more information on using the Model Advisor, see “Run Model Checks” in the Simulink documentation.

### Validate Traceability

Typically, applications that require certification require some level of traceability between requirements, models, and corresponding code.

To...	Use...
Associate requirements documents with objects in Simulink models	The “Requirements Traceability” that is available if you have a Simulink Verification and Validation license.

<b>To...</b>	<b>Use...</b>
Trace model blocks and subsystems to generated code	The “Trace Model Objects to Generated Code” on page 33-8 when generating an HTML report during the code generation or build process.
Trace generated code to model blocks and subsystems	The “Trace Code to Model Objects Using Hyperlinks” on page 33-6 when generating an HTML report during the code generation or build process.



## DO-178C Standard

### In this section...

“Apply Simulink and Embedded Coder to the DO-178C Standard” on page 2-17

“Check for Standard Compliance Using the Model Advisor” on page 2-17

“Validate Traceability” on page 2-7

### Apply Simulink and Embedded Coder to the DO-178C Standard

Applying Model-Based Design to a high-integrity system requires extra consideration and rigor so that the system adheres to defined safety standards. DO-178C Software Considerations in Airborne Systems and Equipment Certification is such a standard. A supplement to DO-178C, DO-331, provides guidance on the use of Model-Based Design technologies. MathWorks provides a DO Qualification Kit product that you can use to qualify MathWorks verification tools for projects based on the DO-178C, DO-331, and related standards. For more information, see <http://www.mathworks.com/products/do-178/>.

For information about Model-Based Design and MathWorks support of aerospace and defense industry standards, see <http://www.mathworks.com/aerospace-defense/>.

### Check for Standard Compliance Using the Model Advisor

If you have a Simulink Verification and Validation product license, you can check that your Simulink model or subsystem and the code that you generate from it complies with selected aspects of the DO-178C standard by running the Simulink Model Advisor. Navigate to **By Product > Simulink Verification and Validation > Modeling Standards > DO-178C/DO-331 Checks** or **By Task > Modeling Standards for DO-178C/DO-331** and run the DO-178C/DO-331 checks.

For more information on using the Model Advisor, see “Run Model Checks” in the Simulink documentation.

### Validate Traceability

Typically, applications that require certification require some level of traceability between requirements, models, and corresponding code.

<b>To...</b>	<b>Use...</b>
Associate requirements documents with objects in Simulink models	The “Requirements Traceability” that is available if you have a Simulink Verification and Validation license.
Trace model blocks and subsystems to generated code	The “Trace Model Objects to Generated Code” on page 33-8 when generating an HTML report during the code generation or build process.
Trace generated code to model blocks and subsystems	The “Trace Code to Model Objects Using Hyperlinks” on page 33-6 when generating an HTML report during the code generation or build process.

# Patterns for C Code

---

- “Prepare a Model for Code Generation” on page 3-2
- “Data Definition and Declaration” on page 3-7
- “Data Type Conversion” on page 3-10
- “Type Qualifiers” on page 3-13
- “Relational and Logical Operators” on page 3-15
- “Bitwise Operations” on page 3-19
- “If-Else” on page 3-22
- “Switch” on page 3-28
- “For Loop” on page 3-34
- “While Loop” on page 3-42
- “Do While Loop” on page 3-52
- “Function Call” on page 3-59
- “Function Prototyping” on page 3-61
- “External C Functions” on page 3-65
- “Macro Definitions (#define)” on page 3-71
- “Conditional Inclusions (#if / #endif)” on page 3-74
- “Typedef” on page 3-75
- “Structures for Parameters” on page 3-77
- “Structures for Signals” on page 3-79
- “Nested Structures of Signals” on page 3-83
- “Bitfields” on page 3-87
- “Arrays for Parameters” on page 3-90
- “Arrays for Signals” on page 3-92
- “Pointers for Signals” on page 3-94
- “Pointers Using Simulink Data Objects” on page 3-95

## Prepare a Model for Code Generation

### In this section...

“Configure a Signal” on page 3-3

“Configure Input and Output Ports” on page 3-3

“Initialize States” on page 3-3

“Set Up Configuration Parameters for Code Generation” on page 3-4

“Set Up an Example Model With a Stateflow Chart” on page 3-5

“Set Up an Example Model With a MATLAB Function Block” on page 3-6

### In this section...

“Configure a Signal” on page 3-3

“Configure Input and Output Ports” on page 3-3

“Initialize States” on page 3-3

“Set Up Configuration Parameters for Code Generation” on page 3-4

“Set Up an Example Model With a Stateflow Chart” on page 3-5

“Set Up an Example Model With a MATLAB Function Block” on page 3-6

Several standard methods are available for setting up a model to generate specific C constructs in your code. For preparing your model for code generation, some of these methods include: configuring signals and ports, initializing states, and setting up configuration parameters for code generation. Depending on the components of your model, some of these methods are optional. Methods for configuring a model to generate specific C constructs are organized by category, for example, the Control Flow category includes constructs `if-else`, `switch`, `for`, and `while`. Refer to the name of a construct to see how you should configure blocks and parameters in your model. Different modeling methodologies are available, such as Simulink blocks, Stateflow charts, and MATLAB Function blocks, to implement a C construct.

Model examples in “Modeling Patterns for C Code” have the following naming conventions:

Model Components	Naming Convention
Inputs	u1, u2, u3, and so on

Model Components	Naming Convention
Outputs	y1, y2, y3, and so on
Parameters	p1, p2, p3, and so on
States	x1, x2, x3, and so on

Input ports are named to reflect the signal names that they propagate.

## Configure a Signal

- 1 Create a model in Simulink. For more information, see “Modeling Fundamentals”.
- 2 Right-click a signal line. Select **Properties**. For more information about the Signal Properties dialog box, see “Signal Properties”.
- 3 Enter a signal name for the **Signal name** parameter.
- 4 On the same Signal Properties dialog box, select the **Code Generation** tab. Use the drop down menu for the **Storage class** parameter to specify a storage class. Examples in this chapter use `ExportedGlobal`.

---

**Note:** Alternatively, on the Signal Properties dialog box, select **Signal name must resolve to Simulink signal object**. Then create a signal data object in the base workspace with the same name as the signal. See “Create Data Objects for Code Generation with Data Object Wizard” on page 11-2 for more information on creating data objects in the base workspace. (Examples use `Simulink.Signal` and specify the **Storage class** as `ExportedGlobal`.)

---

## Configure Input and Output Ports

- 1 In your model,
  - Double-click an **Inport** or **Outport** block. A Block Parameters dialog box opens.
- 2 Select the **Signal Attributes** tab.
- 3 Specify the **Port dimensions** and **Data type**. Examples leave the default value for **Port dimensions** as `-1` (for inherited) and **Data type** as `Inherit: auto`.

## Initialize States

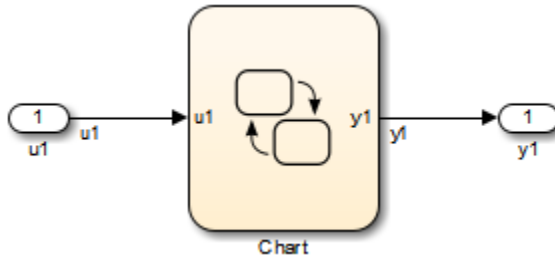
- 1 Double-click a block.

- 2 In the Block Parameters dialog box, select the **Main** tab.
- 3 Specify the **Initial conditions** and **Sample time**. For more information, see “Specify Sample Time”.
- 4 Select the **State Attributes** pane. Specify the state name. See “Discrete Block State Naming in Generated Code”.
- 5 You can also use the Data Object Wizard for creating data objects. A part of this process initializes states. See “Create Data Objects for Code Generation with Data Object Wizard” on page 11-2.

### Set Up Configuration Parameters for Code Generation

- 1 Open the Configuration Parameter dialog box by selecting **Simulation > Model Configuration parameters**. You can also use the keyboard shortcut **Ctrl+E**.
- 2 Open the **Solver** pane and select
  - **Solver type:** Fixed-Step
  - **Solver:** discrete (no continuous states)
- 3 Open the **Optimization > Signals and Parameters** pane, and set **Default parameter behavior** to **Inlined**.
- 4 Open the **Code Generation** pane, and specify `ert.tlc` as the **System Target File**.
- 5 Clear **Generate makefile**.
- 6 Select **Generate code only**.
- 7 Enable the HTML report generation by opening the **Code Generation > Report** pane and selecting **Create code generation report**, **Launch report automatically**, and **Code-to-model**. Enabling the HTML report generation is optional.
- 8 Click **Apply** and then **OK** to exit.

## Set Up an Example Model With a Stateflow Chart



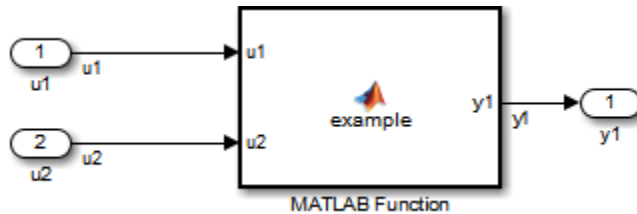
Follow this general procedure to create a simple model containing a Stateflow chart.

- 1 From the **Stateflow > Chart** library, add a Stateflow chart to your model .
- 2 Add Inport blocks and Outport blocks according to the example model.
- 3 Open the **Stateflow Editor** by performing one of the following:
  - Double-click the Stateflow chart.
  - Press **Ctrl+R**.
- 4 Select **Chart > Add Inputs & Outputs > Data Input from Simulink** to add the inputs to the chart. A Data dialog box opens for each input.
- 5 Specify the **Name** (u1, u2, ...) and the **Type** (Inherit: Same as Simulink) for each input, unless specified differently in the example. Click **OK**.

Click **Apply** and close each dialog box.

- 6 Select **Chart > Add Inputs & Outputs > Data Output from Simulink** to add the outputs to the chart. A Data dialog opens for each output.
- 7 Specify the **Name** (y1, y2, ...) and **Type** (Inherit: Same as Simulink) for each output, unless specified differently in the example. Click **OK**.
- 8 Click **Apply** and close each dialog box.
- 9 In the **Stateflow Editor**, create the Stateflow diagram specific to the example.
- 10 The inputs and outputs appear on the chart in your model.
- 11 Connect the Inport and Outport blocks to the Stateflow Chart.
- 12 Configure the input and output signals; see “Configure a Signal” on page 3-3.

## Set Up an Example Model With a MATLAB Function Block



- 1 Add the number of Inport and Outport blocks according to a C construct example included in this chapter.
- 2 From the Simulink User-defined Functions library drag a MATLAB Function block into the model.
- 3 Double-click the block. The MATLAB Function Block Editor opens. Edit the function to implement your application.
- 4 Click **File** > **Save** and close the MATLAB Function Block Editor.
- 5 Connect the Inport and Outport blocks to the MATLAB Function block. See “Configure a Signal” on page 3-3.
- 6 Save your model.



# Data Definition and Declaration

## C Construct for Parameters

```
int32 p1 = 3;  
  
extern int32 p1;
```

## Declare a Variable for a Block Parameter Using a Data Object


You can specify certain block parameters by creating data objects. To control the definition and declaration of the corresponding variable in the generated code, specify a storage class for the object. For more information on how to create a data object, see “Data Objects”.

There are several methods for configuring data objects:

- For a model with many parameters, use the Data Object Wizard, which analyzes your model and finds the unresolved data objects and data types. You can then create the data objects in the Data Object Wizard. The procedure for using the Data Object Wizard for a parameter is similar to the procedure for a signal. For an example, see “Declare a Variable for a Signal Using a Data Object” on page 3-8.
- To add, delete, edit, and configure data objects, use the base workspace in the Model Explorer.
- To create and configure data objects, use the MATLAB command line.

The following example demonstrates how to export the definition and declaration of a parameter.

- 1 Create a model containing a Constant block and an Outport block. Connect the Constant block to the Outport block.
- 2 In your model, double-click the Constant block. The Block Parameters dialog box opens.
- 3 In the **Constant value** field, enter a variable name. In this example, the variable name is p1.
- 4 Press **Ctrl+H** to open the Model Explorer. On the **Model Hierarchy** pane, select the base workspace.

- 5 Add a Simulink parameter object. Click the Add Parameter button . On the **Contents of: Base Workspace** pane, you see the parameter.
- 6 Double-click the `Simulink.Parameter` object and change the name to `p1`.
- 7 Click the `p1` parameter. The data object parameters are displayed in the right pane of the Model Explorer.
- 8 In the **Value** field, enter `3`. For the **Data type**, select `int32`.
- 9 Set the **Storage class** to `ExportToFile`. Under **Custom attributes**, set **HeaderFile** to `myHdr.h`. Set **DefinitionFile** to `mySrc.c`. Click **Apply**.
- 10 In the model, press **Ctrl+B** to generate code.
- 11 In the code generation report, view the generated file `myHdr.h`. This header file exports the declaration of the global variable `p1` by using the `extern` qualifier.

```
/* Declaration for custom storage class: ExportToFile */  
extern int32_T p1;
```

- 12 View the generated file `mySrc.c`. This source file defines `p1`.

```
/* Definition for custom storage class: ExportToFile */  
int32_T p1 = 3;
```

## C Construct for Signals

```
int mySig;  
  
extern int mySig;
```

## Declare a Variable for a Signal Using a Data Object

- 1 Create a model and label the signals. For example, name a signal `mySig`.
- 2 Open the **Data Object Wizard**. In the Simulink Editor, select **Code > Data Objects > Data Object Wizard**. If you are not familiar with creating Simulink Data Objects using the wizard, refer to “Create Data Objects for a Model Using Data Object Wizard”.
- 3 Click **Find**. The list of unresolved parameters and signals populates the Data Object Wizard. You can do mass edits for identical data objects.
- 4 Select the signals individually or select all signals by clicking **Select All**.
- 5 Click **Create**. When you open the Model Explorer the data objects appear in the base workspace.

- 6 In the Model Explorer base workspace view, click the `mySig` data object . The data object parameters appear in the right pane of the Model Explorer.
- 7 From the **Data type** drop-down list, select `int16`.
- 8 Set **Storage class** to `ExportedGlobal`. Click **Apply**.
- 9 In the model, press **Ctrl+B** to generate code.
- 10 In the code generation report, view the file `model.h`. This header file exports the declaration of the global variable `mySig`.

```
extern int16_T mySig;
```

- 11 View the file `model.c`. This source file declares and defines the variable `mySig` by using a single statement.

```
int16_T mySig;
```

## See Also

`Simulink.Parameter` | `Simulink.Signal`

## Related Examples

- “Control Parameter Representation and Declare Tunable Parameters in the Generated Code”
- “Control Signals and States in Code by Applying Storage Classes”

## More About

- “Data Objects”

## Data Type Conversion

### C Construct

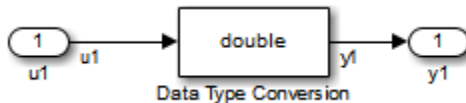
```
y1 = (double)u1;
```

### Modeling Patterns

- “Modeling Pattern for Data Type Conversion — Simulink Block” on page 3-10
- “Modeling Pattern for Data Type Conversion — Stateflow Chart” on page 3-11
- “Modeling Pattern for Data Type Conversion — MATLAB Function Block” on page 3-12

### Modeling Pattern for Data Type Conversion — Simulink Block

One method to create a data type conversion is to use a **Data Type Conversion** block from the **Simulink > Commonly Used Blocks** library.



#### ex\_data\_type\_SL

- 1 From the **Commonly Used Blocks** library, drag a **Data Type Conversion** block into your model and connect to the Inport and Outport blocks.
- 2 Double-click on the **Data Type Conversion** block to open the Block Parameters dialog box.
- 3 Select the **Output data type** parameter as **double**.
- 4 Press **Ctrl+B** to build the model and generate code.

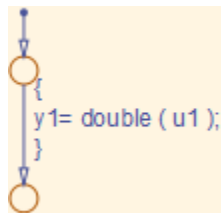
The generated code appears in `ex_data_type_SL.c`, as follows:

```
int32_T u1;
real_T y1;
```

```
void ex_data_type_SL_step(void)
{
    y1 = (real_T)u1;
}
```

The Embedded Coder type definition for double is `real_T`.

## Modeling Pattern for Data Type Conversion — Stateflow Chart



### Stateflow Chart Type Conversion

#### Procedure

- 1 Follow the steps for “Set Up an Example Model With a Stateflow Chart” on page 3-5 . This example contains one Inport block and one Outport block.
- 2 Name the example model `ex_data_type_SF`.
- 3 Double-click the **Inport** block and select the **Signal Attributes** tab. Specify the **Data Type** as `int32` from the drop down menu.
- 4 Double-click the **Outport** block and select the **Signal Attributes** tab. Specify the **Data Type** as `Inherit: auto` from the drop down menu.
- 5 Press **Ctrl+B** to build the model and generate code.

#### Results

The generated code appears in `ex_data_type_SF.c`, as follows:

```
int32_T u1;
real_T y1;
RT_MODEL_ex_data_type_SF ex_data_type_SF_M_;
RT_MODEL_ex_data_type_SF *const ex_data_type_SF_M = &ex_data_type_SF_M_;
void ex_data_type_SF_step(void)
{
    y1 = u1;
}
```

## Modeling Pattern for Data Type Conversion — MATLAB Function Block

### Procedure

- 1 Follow the steps for “Set Up an Example Model With a MATLAB Function Block” on page 3-6 . This example model contains one **Inport** block and one **Output** block.
- 2 Name the model `ex_data_type_ML_Func`.
- 3 In the MATLAB Function Block Editor enter the function, as follows:

```
function y1 = typeconv(u1)
y1 = double(u1);
end
```

- 4 Press **Ctrl+B** to build the model and generate code.

### Results

The generated code appears in `ex_data_type_ML_func.c`, where `real32_T` is a float and `real_T` is a double. Type conversion occurs across assignments.

```
real32_T u1;
real_T y1;

void ex_data_type_ML_func_step(void)
{
    y1 = u1;
}
```

## Other Type Conversions in Modeling

Type conversions can also occur on the output of blocks where the output variable is specified as a different data type. For example, in the Gain block, you can select the **Inherit via internal rule** parameter to control the output signal data type. Another example of type conversion can occur at the boundary of a Stateflow chart. You can specify the output variable as a different data type.

### See Also

Data Type Conversion

## Type Qualifiers


### Use a Data Object of the ConstVolatile Custom Storage Class

Create a type qualifier in the generated code by creating a data object and specifying a custom storage class.



#### ex\_type\_qual

##### Procedure

- 1 Create a model containing a Constant block and an Outport block.
- 2 Double-click the Constant block. In the **Constant value** field, enter the parameter name `p1`.
- 3 Press **Ctrl+H** to open the Model Explorer. On the **Model Hierarchy** pane, select the base workspace.
- 4 Click the Add Parameter button  to add a Simulink parameter object. On the **Contents of: Base Workspace** pane, you see the parameter.
- 5 Double-click the `Simulink.Parameter` object and change the **Name** to `p1`.
- 6 Click the `p1` parameter which displays the data object parameters on the right pane of the Model Explorer.
- 7 In the **Value** field, enter `9.8`. Specify the **Data type** as `double` for 64-bit double.
- 8 Set **Storage class** to `ConstVolatile`.
- 9 Press **Ctrl+B** to build the model and generate code.

##### Results

The generated code produces the type qualifiers in `ex_type_qual.c`:

```
const volatile real_T p1 = 9.8;
```

To individually generate the qualifiers `const` and `volatile`, use the custom storage classes `Const` and `Volatile`.

### See Also

`Simulink.Parameter` | `Simulink.Signal`

### Related Examples

- “Control Data Representation by Applying Custom Storage Classes” on page 10-35

### More About

- “Introduction to Custom Storage Classes” on page 10-2
- “Data Objects”

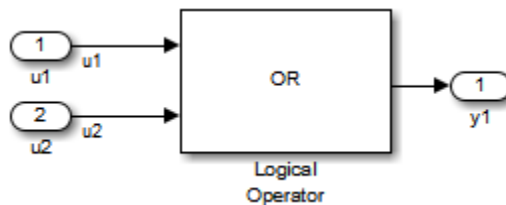


# Relational and Logical Operators

## Modeling Patterns for Relational and Logical Operators

- “Modeling Pattern for Relational or Logical Operators — Simulink Blocks” on page 3-15
- “Modeling Pattern for Relational and Logical Operators – Stateflow Chart” on page 3-16
- “Modeling Pattern for Relational and Logical Operators — MATLAB Function Block” on page 3-17

## Modeling Pattern for Relational or Logical Operators — Simulink Blocks



### ex\_logical\_SL

#### Procedure

- 1 From the **Logic and Bit Operations** library, drag a Logical Operator block into your model.
- 2 Double-click the block to configure the logical operation. Set the **Operator** field to OR.
- 3 Name the blocks, as shown in the model ex\_logical\_SL.
- 4 Connect the blocks and name the signals, as shown in the model ex\_logical\_SL.
- 5 Press **Ctrl+B** to build the model and generate code.

---

**Note:** You can use the above procedure to implement relational operators by replacing the Logical Operator block with a Relational Operator block.

---

#### Results

Code implementing the logical operator OR is in the `ex_logical_SL_step` function in `ex_logical_SL.c`:

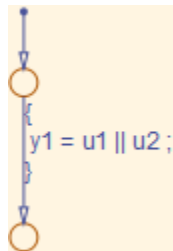
```

/* Exported block signals */
boolean_T u1;                /* '<Root>/u1' */
boolean_T u2;                /* '<Root>/u2' */
boolean_T y1;                /* '<Root>/Logical Operator' */

/* Logic: '<Root>/Logical Operator' incorporates:
 * Inport: '<Root>/u1'
 * Inport: '<Root>/u2'
 */
y1 = (u1 || u2);

```

#### Modeling Pattern for Relational and Logical Operators – Stateflow Chart



#### `ex_logical_SF/Logical Operator` Stateflow Chart

##### Procedure

- 1 Follow the steps for “Set Up an Example Model With a Stateflow Chart” on page 3-5. This example model contains two Inport blocks and one Outport block.
- 2 Name the example model `ex_logical_SF`.
- 3 In the **Stateflow Editor**, specify the **Data Type** for `y1` as `Boolean`.
- 4 In the **Stateflow Editor**, create the Stateflow diagram as shown. The relational or logical operation actions are on the transition from one junction to another. Relational statements specify conditions to conditionally allow a transition. In that case, the statement would be within square brackets.
- 5 Press **Ctrl+B** to build the model and generate code.

## Results

Code implementing the logical operator OR is in the `ex_logical_SF_step` function in `ex_logical_SF.c`:

```
boolean_T u1;           /* '<Root>/u1' */
boolean_T u2;           /* '<Root>/u2' */
boolean_T y1;           /* '<Root>/Chart' */

void ex_logical_SF_step(void)
{
    y1 = (u1 || u2);
}
```

## Modeling Pattern for Relational and Logical Operators — MATLAB Function Block

This example demonstrates the MATLAB Function block method for incorporating operators into the generated code using a relational operator.

### Procedure

- 1 Follow the steps for “Set Up an Example Model With a MATLAB Function Block” on page 3-6 . This example model contains two `Inport` blocks and one `Output` block.
- 2 Name the example model `ex_rel_operator_ML`.
- 3 In the MATLAB Function Block Editor enter the function, as follows:

```
function y1 = fcn(u1, u2)
y1 = u1 > u2;
end
```

- 4 Press **Ctrl+B** to build the model and generate code.

### Results

Code implementing the relational operator '>' is in the `ex_rel_operator_ML_step` function in `ex_rel_operator_ML.c`:

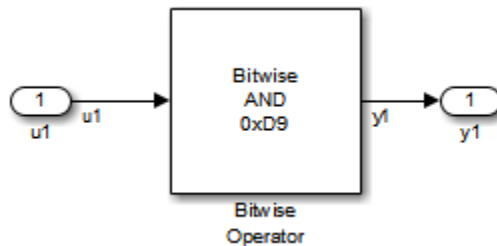
```
real_T u1;           /* '<Root>/u1' */
real_T u2;           /* '<Root>/u2' */
boolean_T y;         /* '<Root>/MATLAB Function' */

void ex_rel_operator_ML_step(void)
```

```
{  
  y = (u1 > u2);  
}
```

## Bitwise Operations

### Simulink Bitwise-Operator Block



#### ex\_bit\_logic\_SL

##### Procedure

- 1 Drag a Bitwise Operator block from the **Logic and Bit Operations** library into your model.
- 2 Double-click the block to open the Block Parameters dialog.
- 3 Select the type of **Operator**. In this example, select **AND**.
- 4 In order to perform Bitwise operations with a bit-mask, select **Use bit mask**.

---

**Note:** If another input uses Bitwise operations, clear the **Use bit mask** parameter and enter the number of input ports.

---

- 5 In the **Bit Mask** field, enter a decimal number. Use `bin2dec` or `hex2dec` to convert from binary or hexadecimal. In this example, enter `hex2dec('D9')`.
- 6 Name the blocks, as shown in, model `ex_bit_logic_SL`.
- 7 Connect the blocks and name the signals, as shown in, model `ex_bit_logic_SL`.
- 8 Press **Ctrl+B** to build the model and generate code.

##### Results

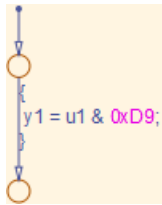
Code implementing the logical operator OR is in the `ex_bit_logic_SL_step` function in `ex_bit_logic_SL.c`:

```
uint8_T u1;
```

```
uint8_T y1;

void ex_bit_logic_SL_step(void)
{
    y1 = (uint8_T)(u1 & 217);
}
```

## Stateflow Chart



### ex\_bit\_logic\_SF/Bit\_Logic Stateflow Chart

#### Procedure

- 1 Follow the steps for “Set Up an Example Model With a Stateflow Chart” on page 3-5. This example contains one Inport block and one Outport block.
- 2 Name the example model `ex_bit_logic_SF`.
- 3 From the **Stateflow Editor**, select **Tools > Explore** to open the Model Explorer.
- 4 In the Model Explorer, on the right pane, select **Enable C-bit operations**.
- 5 In the **Stateflow Editor**, create the Stateflow diagram, `ex_bit_logic_SF/Bit_Logic`.
- 6 Press **Ctrl+B** to build the model and generate code.

#### Results

Code implementing the logical operator OR is in the `ex_bit_logic_SF_step` function in `ex_bit_logic_SF.c`:

```
uint8_T u1;
uint8_T y1;

void bit_logic_SF_step(void)
{
    y1 = (uint8_T)(u1 & 0xD9);
}
```

```
}
```

## MATLAB Function Block

In this example, to demonstrate the MATLAB Function block method for implementing bitwise logic into the generated code, use the bitwise OR, '|'.

### Procedure

- 1 Follow the steps for “Set Up an Example Model With a MATLAB Function Block” on page 3-6. This example model contains two Inport blocks and one Outport block.
- 2 Name your model `ex_bit_logic_ML`.
- 3 In the MATLAB Function Block Editor enter the function, as follows:

```
function y1 = fcn(u1, u2)

    y1 = bitor(u1, u2);
end
```

- 4 Press **Ctrl+B** to build the model and generate code.

### Results

Code implementing the bitwise operator OR is in the `ex_bit_logic_ML_step` function in `ex_bit_logic_ML.c`:

```
uint8_T u1;
uint8_T u2;
uint8_T y1;

void ex_bit_logic_ML_step(void)
{
    y1 = (uint8_T)(u1 | u2);
}
```

# If-Else

## C Construct

```
if (u1 > u2)
{
    y1 = u1;
}
else
{
    y1 = u2;
}
```

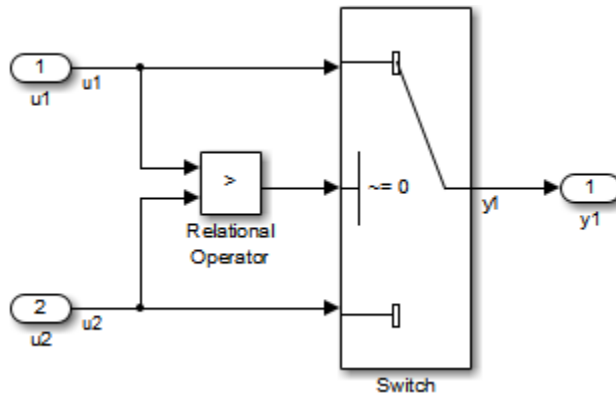
## Modeling Patterns

- “Modeling Pattern for If-Else: Switch block” on page 3-23
- “Modeling Pattern for If-Else: Stateflow Chart” on page 3-25
- “Modeling Pattern for If-Else: MATLAB Function Block” on page 3-27



## Modeling Pattern for If-Else: Switch block

One method to create an if-else statement is to use a Switch block from the **Simulink > Signal Routing** library.



### Model ex\_if\_else\_SL

#### Procedure

- 1 Drag the Switch block from the **Simulink>Signal Routing** library into your model.
- 2 Connect the data inputs and outputs to the block.
- 3 Drag a Relational Operator block from the Logic & Bit Operations library into your model.
- 4 Connect the signals that are used in the if-expression to the Relational Operator block. The order of connection determines the placement of each signal in the if-expression.
- 5 Configure the Relational Operator block to be a greater than operator.
- 6 Connect the controlling input to the middle input port of the Switch block.
- 7 Double-click the Switch block and set **Criteria for passing first input** to  $u2 \neq 0$ . The software selects  $u1$  if  $u2$  is TRUE; otherwise  $u2$  passes.
- 8 Enter **Ctrl+B** to build the model and generate code.

### Results

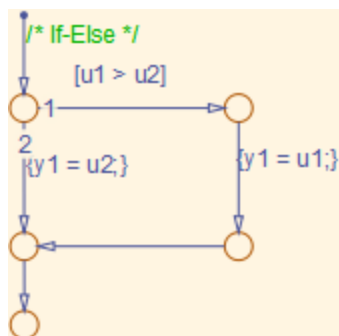
The generated code includes the following `ex_if_else_SL_step` function in the file `ex_if_else_SL.c`:

```
/* External inputs (root inport signals with auto storage) */
ExternalInputs U;

/* External outputs (root outports fed by signals with auto storage) */
ExternalOutputs Y;

/* Model step function */
void ex_if_else_SL_step(void)
{
    /* Switch: '<Root>/Switch' incorporates:
     * Inport: '<Root>/u1'
     * Inport: '<Root>/u2'
     * Outport: '<Root>/y1'
     * RelationalOperator: '<Root>/Relational Operator'
     */
    if (U.u1 > U.u2) {
        Y.y1 = U.u1;
    } else {
        Y.y1 = U.u2;
    }
}
```

## Modeling Pattern for If-Else: Stateflow Chart



### ex\_if\_else\_SF/Chart

#### Procedure

- 1 Follow the steps for “Set Up an Example Model With a Stateflow Chart” on page 3-5. This example model contains two Inport blocks and one Output block.
- 2 Name your model `ex_if_else_SF`.
- 3 When configuring your Stateflow chart, select **Chart > Add Patterns > Decision > If-Else**. The Stateflow Pattern dialog opens. Fill in the fields as follows:

<b>Description</b>	If-Else (optional)
<b>If condition</b>	<code>u1 &gt; u2</code>
<b>If action</b>	<code>y1 = u1</code>
<b>Else action</b>	<code>y1 = u2</code>

- 4 Press **Ctrl+B** to build the model and generate code.

#### Results

The generated code includes the following `ex_if_else_SF_step` function in the file `If_Else_SF.c`:

```

/* External inputs (root inport signals with auto storage) */
ExternalInputs U;

/* External outputs (root outputs fed by signals with auto storage) */
ExternalOutputs Y;

/* Model step function */

```

```
void ex_If_Else_SF_step(void)
{
  /* Chart: '<Root>/Chart' incorporates:
   * Inport: '<Root>/u1'
   * Inport: '<Root>/u2'
   */
  /* Gateway: Chart */
  /* During: Chart */
  /* Entry Internal: Chart */
  /* Transition: '<S1>:15' */
  /* If-Else */
  if (U.u1 > U.u2) {
    /* Outport: '<Root>/y1' */
    /* Transition: '<S1>:16' */
    /* Transition: '<S1>:18' */
    Y.y1 = U.u1;

    /* Transition: '<S1>:19' */
  } else {
    /* Outport: '<Root>/y1' */
    /* Transition: '<S1>:17' */
    Y.y1 = U.u2;
  }

  /* End of Chart: '<Root>/Chart' */
  /* Transition: '<S1>:20' */
}
```

## Modeling Pattern for If-Else: MATLAB Function Block

### Procedure

- 1 Follow the steps for “Set Up an Example Model With a MATLAB Function Block” on page 3-6. This example model contains two Inport blocks and one Outport block.
- 2 Name your model `ex_if_else_ML`.
- 3 In the MATLAB Function Block Editor enter the function, as follows:

```
function y1 = fcn(u1, u2)
if u1 > u2;
    y1 = u1;
else y1 = u2;
end
```

- 4 Press **Ctrl+B** to build the model and generate code.

### Results

The generated code includes the following `ex_if_else_ML_step` function in the file `ex_if_else_ML.c`:

```
/* External inputs (root inport signals with auto storage) */
ExternalInputs U;

/* External outputs (root outports fed by signals with auto storage) */
ExternalOutputs Y;

/* Model step function */
void ex_if_else_ML_step(void)
{
    /* MATLAB Function Block: '<Root>/MATLAB Function' incorporates:
     * Inport: '<Root>/u1'
     * Inport: '<Root>/u2'
     * Outport: '<Root>/y1'
     */
    /* MATLAB Function 'MATLAB Function': '<S1>:1' */
    if (U.u1 > U.u2) {
        /* '<S1>:1:4' */
        /* '<S1>:1:5' */
        Y.y1 = U.u1;
    } else {
        /* '<S1>:1:6' */
        Y.y1 = U.u2;
    }
}
```

# Switch

## C Construct

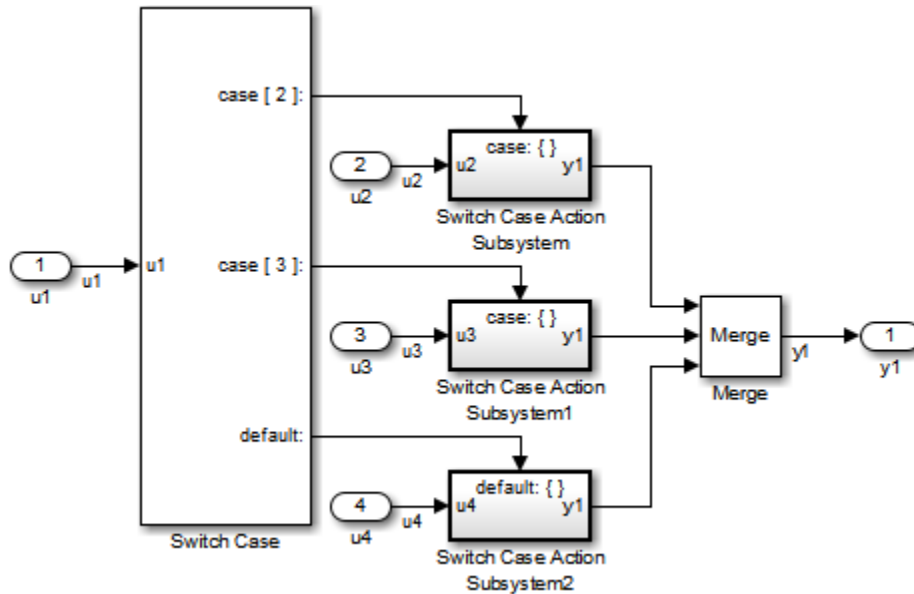
```
switch (u1)
{
  case 2:
    y1 = u2;
    break;
  case 3:
    u3;
    break;
  default:
    y1 = u4;
    break;
}
```

## Modeling Patterns

- “Modeling Pattern for Switch: Switch Case block” on page 3-29
- “Modeling Pattern for Switch: MATLAB Function block” on page 3-32
- “Convert If-Elseif-Else to Switch statement” on page 3-33

## Modeling Pattern for Switch: Switch Case block

One method for creating a switch statement is to use a Switch Case block from the **Simulink > Ports and Subsystems** library.



### Model ex\_switch\_SL

#### Procedure

- 1 Drag a Switch Case block from the **Simulink > Ports and Subsystems** library into your model.
- 2 Double-click the block. In the Block Parameters dialog box, fill in the **Case Conditions** parameter. In this example, the two cases are: {2,3}.
- 3 Select the **Show default case** parameter. The default case is optional in a switch statement.
- 4 Connect the condition input u1 to the input port of the Switch block.
- 5 Drag Switch Case Action Subsystem blocks from the **Simulink>Ports and Subsystems** library to correspond with the number of cases.
- 6 Configure the Switch Case Action Subsystem subsystems.

- 7 Drag a Merge block from the **Simulink > Signal Routing** library to merge the outputs.
- 8 The **Switch Case** block takes an integer input, therefore, the input signal u1 is type cast to an `int32`.
- 9 Enter `Ctrl+B` to build the model and generate code.

### Results

The generated code includes the following `ex_switch_SL_step` function in the file `ex_switch_SL.c`:

```

/* Exported block signals */
int32_T u1;                                /* '<Root>/u1' */

/* External inputs (root inport signals with auto storage) */
ExternalInputs U;

/* External outputs (root outports fed by signals with auto storage) */
ExternalOutputs Y;

/* Model step function */
void ex_switch_SL_step(void)
{
    /* SwitchCase: '<Root>/Switch Case' incorporates:
     * ActionPort: '<S1>/Action Port'
     * ActionPort: '<S2>/Action Port'
     * ActionPort: '<S3>/Action Port'
     * Inport: '<Root>/u1'
     * SubSystem: '<Root>/Switch Case Action Subsystem'
     * SubSystem: '<Root>/Switch Case Action Subsystem1'
     * SubSystem: '<Root>/Switch Case Action Subsystem2'
     */
    switch (u1) {
        case 2:
            /* Inport: '<S1>/u2' incorporates:
             * Inport: '<Root>/u2'
             * Output: '<Root>/y1'
             */
            Y.y1 = U.u2;
            break;

        case 3:
            /* Inport: '<S2>/u3' incorporates:
             * Inport: '<Root>/u3'
             * Output: '<Root>/y1'
             */
            Y.y1 = U.u3;
            break;

        default:
            /* Inport: '<S3>/u4' incorporates:
             * Inport: '<Root>/u4'
             * Output: '<Root>/y1'
             */
            Y.y1 = U.u4;
            break;
    }
}

```



}

## Modeling Pattern for Switch: MATLAB Function block

### Procedure

- 1 Follow the steps for “Set Up an Example Model With a MATLAB Function Block” on page 3-6. This example model contains four Inport blocks and one Outport block.
- 2 Name your model `ex_switch_ML`.
- 3 In the MATLAB Function Block Editor enter the function, as follows:

```
function y1 = fcn(u1, u2, u3, u4)

switch u1
    case 2
        y1 = u2;
    case 3
        y1 = u3;
    otherwise
        y1 = u4;
end
```

- 4 Press **Ctrl+B** to build the model and generate code.

### Results

The generated code includes the following `ex_switch_ML_step` function in the file `ex_switch_ML.c`:

```
/* External inputs (root inport signals with auto storage) */
ExternalInputs U;

/* External outputs (root outports fed by signals with auto storage) */
ExternalOutputs Y;

/* Model step function */
void ex_switch_ML_step(void)
{
    /* MATLAB Function Block: '<Root>/MATLAB Function' incorporates:
     * Inport: '<Root>/u1'
     * Inport: '<Root>/u2'
     * Inport: '<Root>/u3'
     * Inport: '<Root>/u4'
     * Outport: '<Root>/y1'
     */
    /* MATLAB Function 'MATLAB Function': '<S1>:1' */
    /* '<S1>:1:4' */
    switch (U.u1) {
        case 2:
            /* '<S1>:1:6' */
            Y.y1 = U.u2;
            break;
    }
}
```

```
case 3:
    /* '<S1>:1:8' */
    Y.y1 = U.u3;
    break;

default:
    /* '<S1>:1:10' */
    Y.y1 = U.u4;
    break;
}
}
```

## Convert If-Elseif-Else to Switch statement

If a MATLAB Function block or a Stateflow chart uses `if-elseif-else` decision logic, you can convert it to a `switch` statement by using a configuration parameter. In the Configuration Parameters dialog box, on the **Code Generation > Code Style** pane, select the “Convert if-elseif-else patterns to switch-case statements” parameter. For more information, see “Converting If-Elseif-Else Code to Switch-Case Statements” in the Simulink documentation. For more information on this conversion using a Stateflow chart, see “Enhance Readability of Code for Flow Charts” on page 16-117.

## See Also

Switch Case

## Related Examples

- “Create Flow Charts with the Pattern Wizard”

## More About

- “What Is a MATLAB Function Block?”

# For Loop

## C Construct

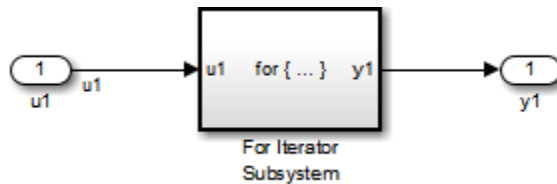
```
y1 = 0;
for(inx = 0; inx <10; inx++)
{
    y1 = u1[inx] + y1;
}
```

## Modeling Patterns:

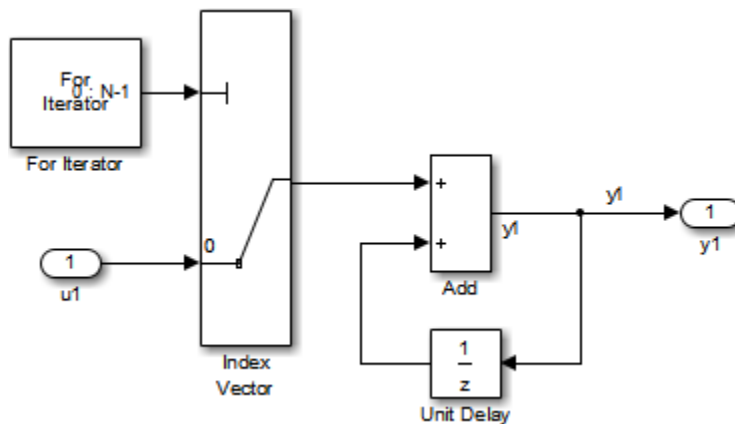
- “Modeling Pattern for For Loop: For-Iterator Subsystem block” on page 3-35
- “Modeling Pattern for For Loop: Stateflow Chart” on page 3-38
- “Modeling Pattern for For Loop: MATLAB Function block” on page 3-40

## Modeling Pattern for For Loop: For-Iterator Subsystem block

One method for creating a for loop is to use a For Iterator Subsystem block from the **Simulink > Ports and Subsystems** library.



### Model ex\_for\_loop\_SL



### For Iterator Subsystem

#### Procedure

- 1 Drag a For Iterator Subsystem block from the **Simulink > Ports and Subsystems** library into your model.
- 2 Connect the data inputs and outputs to the For Iterator Subsystem block.
- 3 Open the Inport block.
- 4 In the Block Parameters dialog box, select the **Signal Attributes** pane and set the **Port dimensions** parameter to 10.
- 5 Double-click the For Iterator Subsystem block to open the subsystem.

- 6 Drag an `Index Vector` block from the `Signal-Routing` library into the subsystem.
- 7 Open the `For Iterator` block. In the `Block Parameters` dialog box set the **Index-mode** parameter to `Zero-based` and the **Iteration limit** parameter to 10.
- 8 Connect the controlling input to the topmost input port of the `Index Vector` block, and the other input to the second port.
- 9 Drag an `Add` block from the **Math Operations** library into the subsystem.
- 10 Drag a `Unit Delay` block from **Commonly Used Blocks** library into the subsystem.
- 11 Double-click the `Unit Delay` block and set the **Initial Conditions** parameter to 0. This parameter initializes the state to zero.
- 12 Connect the blocks as shown in the model diagram.
- 13 Save the subsystem and the model.
- 14 Enter `Ctrl+B` to build the model and generate code.

#### Results

The generated code includes the following `ex_for_loop_SL_step` function in the file `ex_for_loop_SL.c`:

```
/* External inputs (root inport signals with auto storage) */
ExternalInputs U;

/* External outputs (root outports fed by signals with auto storage) */
ExternalOutputs Y;

/* Model step function */
void ex_for_loop_SL_step(void)
{
    int32_T s1_iter;
    int32_T rtb_y1;

    /* Outputs for iterator SubSystem: '<Root>/For Iterator Subsystem' incorporates:
     * ForIterator: '<S1>/For Iterator'
     */
    for (s1_iter = 0; s1_iter < 10; s1_iter++) {
        /* Sum: '<S1>/Add' incorporates:
         * Inport: '<Root>/u1'
         * MultiPortSwitch: '<S1>/Index Vector'
         * UnitDelay: '<S1>/Unit Delay'
         */
        rtb_y1 = U.u1[s1_iter] + DWork.UnitDelay_DSTATE;

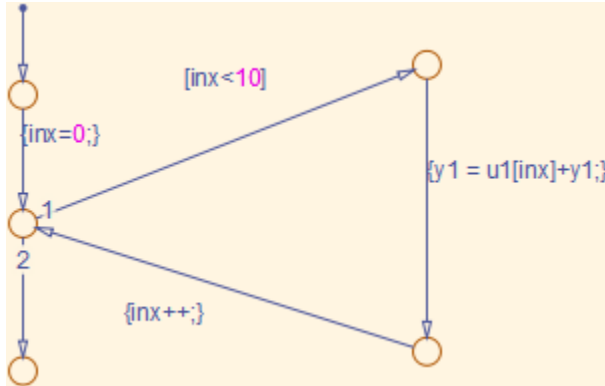
        /* Update for UnitDelay: '<S1>/Unit Delay' */
        DWork.UnitDelay_DSTATE = rtb_y1;
    }

    /* end of Outputs for SubSystem: '<Root>/For Iterator Subsystem' */

    /* Output: '<Root>/y1' */
```

```
    Y.y1 = rtb_y1;  
}
```

## Modeling Pattern for For Loop: Stateflow Chart



### Model `ex_for_loop_SF`

#### Procedure

- 1 Follow the steps for “Set Up an Example Model With a Stateflow Chart” on page 3-5. This example model contains one Inport block and one Output block.
- 2 Name the model `ex_for_loop_SF`.
- 3 Enter **Ctrl+R** to open the Model Explorer.
- 4 In the Model Explorer, select the output variable, `u1`, and in the right pane, select the **General** tab and set the **Initial Value** to 0.
- 5 In the **Stateflow Editor**, select **Chart > Add Patterns > Loop > For**. The Stateflow Pattern dialog opens.
- 6 Fill in the fields in the Stateflow Pattern dialog box as follows:

<b>Description</b>	For Loop (optional)
<b>Initializer expression</b>	<code>inx = 0</code>
<b>Loop test expression</b>	<code>inx &lt; 10</code>
<b>Counting expression</b>	<code>inx++</code>
<b>For loop body</b>	<code>y1 = u1[inx] + y1</code>

The Stateflow diagram is shown.

- 7 Press **Ctrl+B** to build the model and generate code.



## Results

The generated code includes the following `ex_for_loop_SF_step` function in the file `ex_for_loop_SF.c`:

```
/* External inputs (root inport signals with auto storage) */
ExternalInputs U;

/* External outputs (root outports fed by signals with auto storage) */
ExternalOutputs Y;

/* Model step function */
void ex_for_loop_SF_step(void)
{
    int32_T inx;

    /* Chart: '<Root>/Chart' */
    /* Gateway: Chart */
    /* During: Chart */
    /* Entry Internal: Chart */
    /* Transition: '<S1>:13' */
    /* Transition: '<S1>:14' */
    for (inx = 0; inx < 10; inx++) {
        /* Output: '<Root>/y1' incorporates:
         * Inport: '<Root>/u1'
         */
        /* Transition: '<S1>:11' */
        /* Transition: '<S1>:12' */
        Y.y1 += U.u1[inx];

        /* Transition: '<S1>:10' */
    }

    /* End of Chart: '<Root>/Chart' */
    /* Transition: '<S1>:9' */
}
```

## Modeling Pattern for For Loop: MATLAB Function block

### Procedure

- 1 Follow the directions for “Set Up an Example Model With a MATLAB Function Block” on page 3-6. This example model contains one Inport block and one Outport block.
- 2 Name your model `ex_for_loop_ML`.
- 3 In the MATLAB Function Block Editor enter the function, as follows:

```
function y1 = fcn(u1)

y1 = 0;

for inx=1:10
    y1 = u1(inx) + y1 ;
end
```

- 4 Press **Ctrl+B** to build the model and generate code.

### Results

The generated code includes the following `ex_for_loop_ML_step` function in the file `ex_for_loop_ML.c`:

```
/* Exported block signals */
real_T u1[10];                /* '<Root>/u1' */
real_T y1;                    /* '<Root>/MATLAB Function' */

/* Model step function */
void ex_for_loop_ML_step(void)
{
    int32_T inx;

    /* MATLAB Function Block: '<Root>/MATLAB Function' incorporates:
     * Inport: '<Root>/u1'
     */
    /* MATLAB Function 'MATLAB Function': '<S1>:1' */
    /* '<S1>:1:3' */
    y1 = 0.0;
    for (inx = 0; inx < 10; inx++) {
        /* '<S1>:1:5' */
        /* '<S1>:1:6' */
        y1 = u1[inx] + y1;
    }
}
```

### See Also

For Iterator Subsystem

## **Related Examples**

- “Create Flow Charts with the Pattern Wizard”

## **More About**

- “What Is a MATLAB Function Block?”

# While Loop

## C Construct

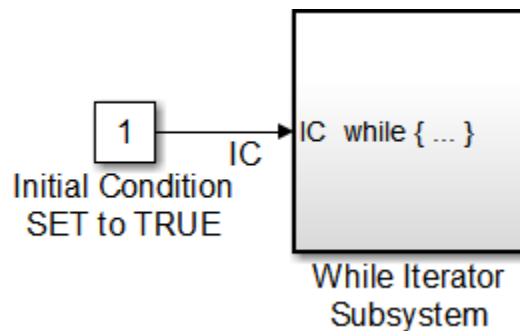
```
while(flag && (num_iter <= 100)
{
    flag = func ();
    num_iter ++;
}
```

## Modeling Patterns

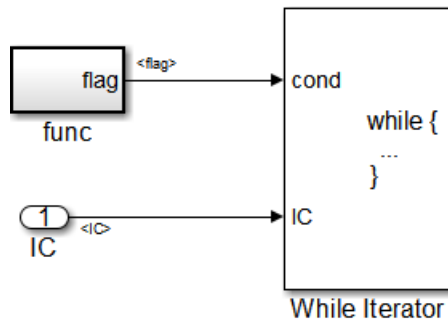
- “Modeling Pattern for While Loop: While Iterator Subsystem block” on page 3-43
- “Modeling Pattern for While Loop: Stateflow Chart” on page 3-46
- “Modeling Pattern for While Loop: MATLAB Function Block” on page 3-49

## Modeling Pattern for While Loop: While Iterator Subsystem block

One method for creating a while loop is to use a While Iterator Subsystem block from the **Simulink > Ports and Subsystems** library.



### Model ex\_while\_loop\_SL

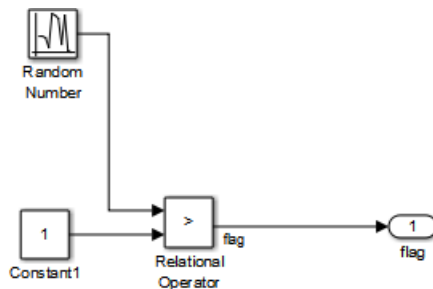


### ex\_while\_loop\_SL/While Iterator Subsystem

#### Procedure

- 1 Drag a While Iterator Subsystem block from the **Simulink > Ports and Subsystems** library into the model.
- 2 Drag a Constant block from the **Simulink > Commonly Used Blocks** library into the model. In this case, set the **Initial Condition** to 1 and the **Data Type** to **Boolean**. You do not have to set the initial condition to **FALSE**. The initial condition can be dependent on the input to the block.
- 3 Connect the Constant block to the While Iterator Subsystem block.

- 4 Double-click the While Iterator Subsystem block to open the subsystem.
- 5 Place a Subsystem block next to the While Iterator block.
- 6 Right-click the subsystem and select **Block Parameters (Subsystem)**. The Block Parameters dialog box opens.
- 7 Select the **Treat as atomic unit** parameter to configure the subsystem to generate a function. This enables parameters on the **Code Generation** tab.
- 8 Select the **Code Generation** tab. From the **Function packaging** list, select the option, Nonreusable function.
- 9 From the **Function name options** list, select the option, User specified. The **Function name** parameter is displayed.
- 10 Specify the name as func.
- 11 Click **Apply**.
- 12 Double-click the func subsystem block. In this example, function func() has an output flag set to 0 or 1 depending on the result of the algorithm in func(). Create the func() algorithm as shown in the following diagram:



#### func

- 13 Double-click the While Iterator block to set the **Maximum number of iterations** to 100.
- 14 Connect blocks as shown in the model and subsystem diagrams.

#### Results

The generated code includes the following ex\_while\_loop\_SL\_step function in the file ex\_while\_loop\_SL.c:

```
/* Model step function */
```

```
void ex_while_loop_SL_step(void)
{
    int32_T s1_iter;
    boolean_T loopCond;

    /* Constant: '<Root>/Initial Condition SET to TRUE' */
    IC = P.InitialConditionSETtoTRUE_Value;

    /* Outputs for Iterator SubSystem: '<Root>/While Iterator Subsystem' incorporates:
     * WhileIterator: '<S1>/While Iterator'
     */
    s1_iter = 1;

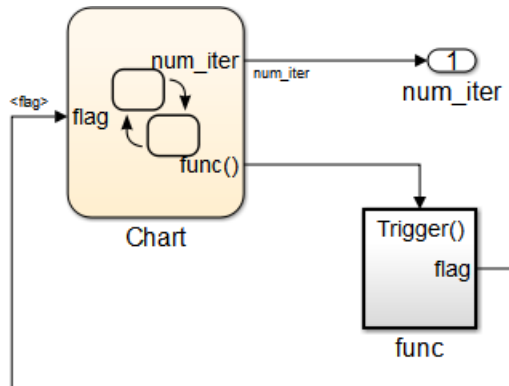
    /* InitializeConditions for Atomic SubSystem: '<S1>/func' */
    func_Init();

    /* End of InitializeConditions for SubSystem: '<S1>/func' */
    loopCond = IC;
    while (loopCond && (s1_iter <= 100)) {
        /* Outputs for Atomic SubSystem: '<S1>/func' */
        func();

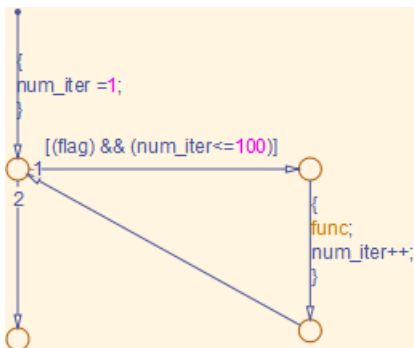
        /* End of Outputs for SubSystem: '<S1>/func' */
        loopCond = flag;
        s1_iter++;
    }

    /* End of Outputs for SubSystem: '<Root>/While Iterator Subsystem' */
}
```

## Modeling Pattern for While Loop: Stateflow Chart



### Model ex\_while\_loop\_SF



### ex\_while\_loop\_SF/Chart Executes the desired while-loop

#### Procedure

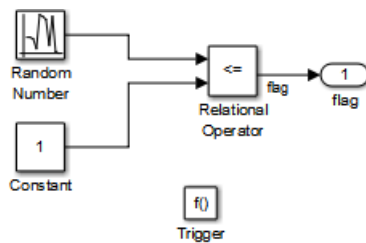
- 1 Add a Stateflow Chart to your model from the **Stateflow > Chart** library.
- 2 Double-click the chart.
- 3 Add the input, `flag`, and output, `func`, to the chart and specify their data type.
- 4 Connect the data input and output to the Stateflow chart as shown in the model diagram.
- 5 In the Model Explorer, select the output variable, then, in the right pane, select the **General** tab and set the **Initial Value** to 0.



- 6 Select **Chart > Add Patterns > Loop > While**. The Stateflow Pattern dialog opens.
- 7 Fill in the fields for the Stateflow Pattern dialog box as follows:

<b>Description</b>	While Loop (optional)
<b>While condition</b>	(flag) && (num_iter<=100)
<b>Do action</b>	func; num_iter++;

- 8 Place a **Subsystem** block in your model.
- 9 Right-click the subsystem and select **Block Parameters (Subsystem)**. The Block Parameters dialog box opens.
- 10 Select the **Treat as atomic unit** parameter to configure the subsystem to generate a function. This enables parameters on the **Code Generation** tab.
- 11 Select the **Code Generation** tab. From the **Function packaging** list, select the option, Nonreusable function.
- 12 From the **Function name options** list, select the option, User specified. The **Function name** parameter is displayed.
- 13 Specify the name as func.
- 14 Click **Apply** to apply the changes.
- 15 Double-click the func subsystem block. In this example, function func has an output **flag** set to 0 or 1 depending on the result of the algorithm in func( ). The **Trigger** block parameter **Trigger type** is function-call. Create the func( ) algorithm, as shown in the following diagram:



#### ex\_while\_loop\_SF/func A function that updates the flag

- 16 Save and close the subsystem.
- 17 Connect blocks to the Stateflow chart as shown in the model diagram for ex\_while\_loop\_SF.
- 18 Save your model.

## Results

The generated code includes the following `ex_while_loop_SF_step` function in the file `ex_while_loop_SF.c`:

```
/* Exported block signals */
int32_T num_iter;           /* '<Root>/Chart' */
boolean_T flag;           /* '<S2>/Relational Operator' */

/* Block states (auto storage) */
D_Work DWork;

/* Model step function */
void ex_while_loop_SF_step(void)
{
    /* Chart: '<Root>/Chart' */
    /* Gateway: Chart */
    /* During: Chart */
    /* Entry Internal: Chart */
    /* Transition: '<S1>:2' */
    num_iter = 1;
    while (flag && (num_iter <= 100)) {
        /* Outputs for Function Call SubSystem: '<Root>/func' */

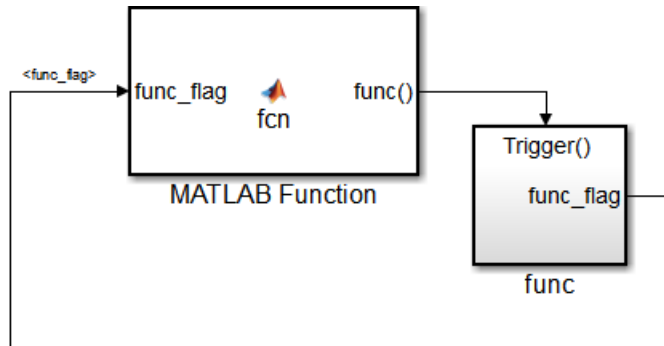
        /* Transition: '<S1>:3' */
        /* Transition: '<S1>:4' */
        /* Event: '<S1>:12' */
        func();

        /* End of Outputs for SubSystem: '<Root>/func' */
        num_iter++;

        /* Transition: '<S1>:5' */
    }

    /* End of Chart: '<Root>/Chart' */
    /* Transition: '<S1>:1' */
}
}
```

## Modeling Pattern for While Loop: MATLAB Function Block



### Model ex\_while\_loop\_ML

#### Procedure

- 1 In the Simulink Library Browser, click **Simulink > User Defined Functions**, and drag a MATLAB Function block into your model.
- 2 Double-click the MATLAB Function block. The MATLAB Function Block Editor opens.
- 3 In the MATLAB Function Block Editor enter the function, as follows:

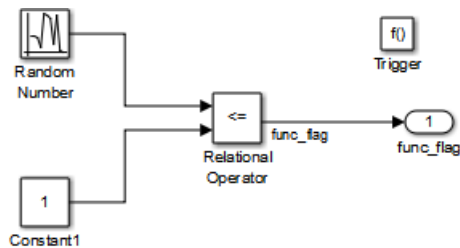
```
function fcn(func_flag)

flag = true;
num_iter = 1;

while(flag && (num_iter<=100))
    func;
    flag = func_flag;
    num_iter = num_iter + 1;
end
```

- 4 Select **Edit Data** on the Editor tab. The Ports and Data Manager opens.
- 5 Select **Add > Function Call Output**. Change the name of the function call output to **func**.
- 6 Click **Save** and close the MATLAB Function Block Editor.
- 7 Place a **Subsystem** block in your model, right-click the subsystem and select **Block Parameters (Subsystem)**. The Block Parameters dialog box opens.

- 8 Select the **Treat as atomic unit** parameter to configure the subsystem to generate a function. This enables parameters on the **Code Generation** tab.
- 9 Select the **Code Generation** tab. From the **Function packaging** list, select the option, **Nonreusable function**.
- 10 From the **Function name options** list, select the option, **User specified**. The **Function name** parameter is displayed.
- 11 Specify the name as **func**.
- 12 Click **Apply**.
- 13 Double-click the **func()** subsystem block. In this example, function **func()** has an output **flag** set to 0 or 1 depending on the result of the algorithm in **func()**. The **Trigger** block parameter **Trigger type** is **function-call**. Create the **func()** algorithm, as shown in the following diagram:



#### Model ex\_while\_loop\_ML\_func

- 14 Save and close the subsystem.
- 15 Connect the MATLAB Function block to the **func()** subsystem.
- 16 Save your model.

#### Results

The generated code includes the following `while_loop_ML_step` function in the file `while_loop_ML.c`. In some cases an equivalent `for` loop might be generated instead of a `while` loop.

```

/* Model step function */
void ex_while_loop_ML_step(void)
{
    boolean_T func_flag_0;
    boolean_T flag;
    int32_T num_iter;

```

```
/* MATLAB Function: '<Root>/MATLAB Function' */
func_flag_0 = func_flag;

/* MATLAB Function 'MATLAB Function': '<S1>:1' */
/* '<S1>:1:3' */
flag = true;

/* '<S1>:1:4' */
num_iter = 1;
while (flag && (num_iter <= 100)) {
    /* Outputs for Function Call SubSystem: '<Root>/func' */

    /* '<S1>:1:6' */
    /* '<S1>:1:7' */
    func();

    /* End of Outputs for SubSystem: '<Root>/func' */

    /* '<S1>:1:8' */
    flag = func_flag_0;

    /* '<S1>:1:9' */
    num_iter++;
}

/* End of MATLAB Function: '<Root>/MATLAB Function' */
}
```

## See Also

While Iterator Subsystem

## Related Examples

- “Create Flow Charts with the Pattern Wizard”

## More About

- “What Is a MATLAB Function Block?”

# Do While Loop

## C Construct

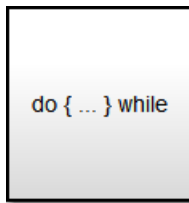
```
num_iter = 1;
do {
    flag = func();
    num_iter++;
}
while (flag && num_iter <= 100)
```

## Modeling Patterns

- “Modeling Pattern for Do While Loop: While Iterator Subsystem block” on page 3-53
- “Modeling Pattern for Do While Loop: Stateflow Chart” on page 3-56

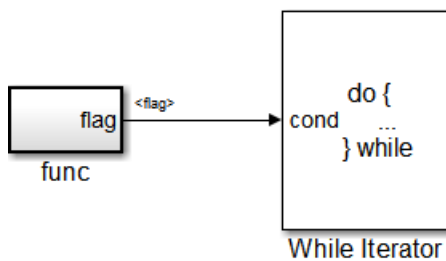
## Modeling Pattern for Do While Loop: While Iterator Subsystem block

One method for creating a while loop is to use a While Iterator Subsystem block from the **Simulink > Ports and Subsystems** library.



While Iterator  
Subsystem

### ex\_do\_while\_loop\_SL

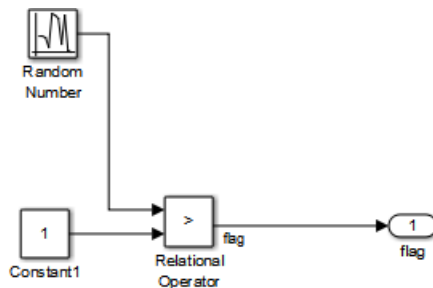


### ex\_do\_while\_loop\_SL/While Iterator Subsystem

#### Procedure

- 1 Drag a While Iterator Subsystem block from the **Simulink > Ports and Subsystems** library into the model.
- 2 Double-click the While Iterator Subsystem block to open the subsystem.
- 3 Place a Subsystem block next to the While Iterator block.
- 4 Right-click the subsystem and select **Block Parameters (Subsystem)**. The Block Parameters dialog box opens.
- 5 Select the **Treat as atomic unit** parameter to configure the subsystem to generate a function. This enables parameters on the **Code Generation** tab.
- 6 Select the **Code Generation** tab. From the **Function packaging** list, select the option, Nonreusable function.

- 7 From the **Function name options** list, select the option, **User specified**. The **Function name** parameter is displayed.
- 8 Specify the name as **func**.
- 9 Click **Apply**.
- 10 Double-click the **func** subsystem block. In this example, function **func** has an output **flag** set to 0 or 1 depending on the result of the algorithm in **func**. Create the **func** algorithm as shown in the following diagram:



#### ex\_do\_while\_loop\_SL/While Iterator Subsystem/func

- 11 Double-click the **While Iterator** block. This opens the **Block Parameters** dialog.
- 12 Set the **Maximum number of iterations** to 100.
- 13 Specify the **While loop type** as **do-while**.
- 14 Connect blocks as shown in the model and subsystem diagrams.
- 15 Enter **Ctrl+B** to generate code.

#### Results

```

void func(void)
{
    flag = (DWork.NextOutput > (real_T)P.Constant1_Value);
    DWork.NextOutput =
        rt_NormalRand(&DWork.RandSeed) * P.RandomNumber_StdDev +
        P.RandomNumber_Mean;
}

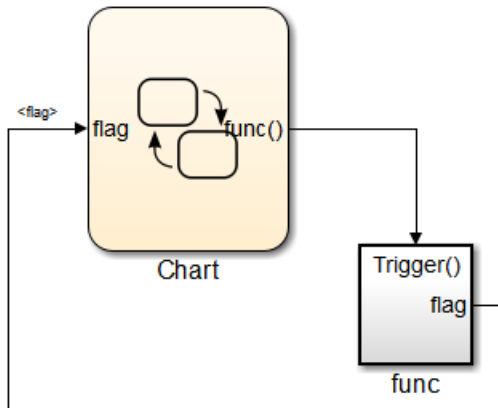
void ex_do_while_loop_SL_step(void)
{
    int32_T s1_iter;

    s1_iter = 1;
    do {
        func();
        s1_iter++;
    } while (flag && (s1_iter <= 100));
}
  
```

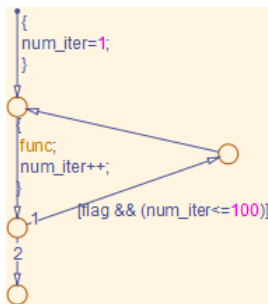


}

## Modeling Pattern for Do While Loop: Stateflow Chart



ex\_do\_while\_loop\_SF



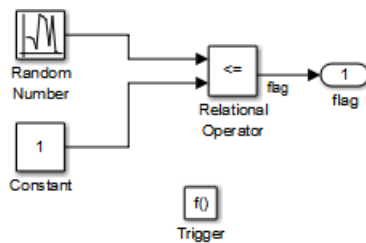
ex\_do\_while\_loop\_SF/Chart

- 1 Add a Stateflow Chart to your model from the **Stateflow > Chart** library.
- 2 Double-click the chart to open it.
- 3 Add the inputs and outputs to the chart and specify their data type.
- 4 Connect the data input and output to the Stateflow chart.
- 5 In the Model Explorer, select the output variable, then, in the right pane, select the **General** tab and set the **Initial Value** to 0.

- 6 Select **Chart > Add Patterns > Loop > While**. The Stateflow Pattern dialog opens.
- 7 Fill in the fields for the Stateflow Pattern dialog box as follows:

<b>Description</b>	While Loop (optional)
<b>While condition</b>	(flag) && (num_iter<=100)
<b>Do action</b>	func; num_iter++;

- 8 Place a **Subsystem** block in your model.
- 9 Right-click the subsystem and select **Block Parameters (Subsystem)**. The Block Parameters dialog box opens.
- 10 Select the **Treat as atomic unit** parameter to configure the subsystem to generate a function. This enables parameters on the **Code Generation** tab.
- 11 Select the **Code Generation** tab. From the **Function packaging** list, select the option, Nonreusable function.
- 12 From the **Function name options** list, select the option, User specified. The **Function name** parameter is displayed.
- 13 Specify the name as func.
- 14 Click **Apply** to apply the changes.
- 15 Double-click the func subsystem block. In this example, function func has an output **flag** set to 0 or 1 depending on the result of the algorithm in func. The **Trigger** block parameter **Trigger type** is **function-call**. Create the func algorithm, as shown in the following diagram:



#### ex\_do\_while\_loop\_SF/func Updates the flag

- 16 Save and close the subsystem.
- 17 Connect blocks to the Stateflow chart as shown in the model diagram for ex\_do\_while\_loop\_SF.
- 18 Save your model.

### Results

```
void ex_do_while_loop_SF_step(void)
{
    int32_T sf_num_iter;
    num_iter = 1;
    do {
        func();
        num_iter++;
    } while (flag && (sf_num_iter <= 100));
}
```

### See Also

While Iterator Subsystem

### Related Examples

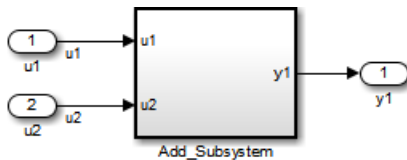
- “Create Flow Charts with the Pattern Wizard”

## Function Call

To generate a function call, add a subsystem, which implements the operations that you want.

### C Construct

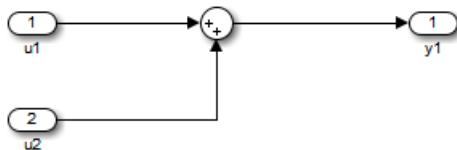
```
void add_function(void)
{
    y1 = u1 + u2;
}
```



### ex\_function\_call

### Procedure

- 1 Create a model containing a subsystem. In this example, the subsystem has two inputs and returns one output.
- 2 Double-click the subsystem. Create `Add_Subsystem`, as shown.



### ex\_function\_call/Add\_Subsystem

- 3 Right-click the subsystem and select **Block Parameters (Subsystem)** to open the Subsystem Parameters dialog box.
- 4 Select the **Treat as atomic unit** parameter. This enables parameters on the **Code Generation** tab.

Select the **Code Generation** tab. For the **Function packaging** parameter, from the drop-down list, select **Nonreusable function**.

- 5 For the **Function name options** parameter, from the drop-down list, select **User specified**.
- 6 In the **Function name** field, enter the subsystem name, `add_function`.
- 7 In the **File name options** field, select **Use function name**.
- 8 Click **Apply** and **OK**.
- 9 Press **Ctrl+B** to build and generate code.

### Results

In `ex_function_call.c`, the function is called from `ex_function_call_step`:

```
void ex_function_call_step(void)
{
    add_function();
}
```

The function prototype is externed through the subsystem file, `add_function.h`.

```
extern void add_function(void);
```

The function definition is in the subsystem file `add_function.c`:

```
void add_function(void)
{
    function_call_y.y1 = u1 + u2;
}
```

### See Also

Function-Call Subsystem

### Related Examples

- “Generate Reusable Function for Identical Subsystems Within a Model”

### More About

- “Conditional Subsystems”

# Function Prototyping

## C Construct

```
double add_function(double u1, double u2)
{
    return u1 + u2;
}
```

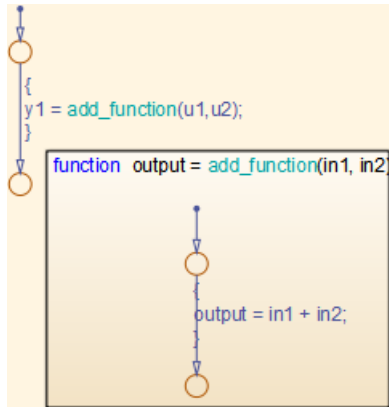
## Modeling Patterns

- “Function Call Using Graphical Functions” on page 3-61
- “Control Function Prototype of the model\_step Function” on page 3-63

## Function Call Using Graphical Functions

### Procedure

- 1 Follow the steps for “Set Up an Example Model With a Stateflow Chart” on page 3-5. This example model contains two Inport blocks and one Outport block.
- 2 Name the example model `ex_func_SF`.
- 3 In the **Stateflow Editor**, create a graphical function by clicking the **fx** button and placing a graphical function into the Stateflow chart.
- 4 Edit the graphical function signature to: `output = add_function(u1, u2)`.
- 5 Add the transition action, as shown in the following diagram.



#### ex\_func\_SF/Chart

In the Stateflow chart is an example of a simple transition that calls `add_function`.

- 6 Open the Model Explorer. From the Model Hierarchy tree, select **ex\_func\_SF > Chart > f()add\_function**. On the right pane, specify the **Function Inline Option** as **Function**.
- 7 From the Model Hierarchy tree, click **Chart** and on the right pane select the **Export Chart Level Functions (Make Global)** parameter. This makes the function available globally to the entire model.
- 8 Press **Ctrl+B** to build the model and generate code.

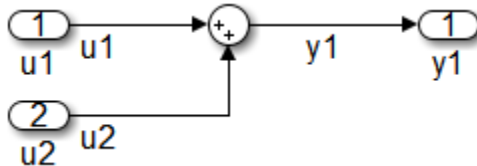
#### Results

`ex_func_SF.c` contains the generated code:

```
real_T add_function(real_T in1, real_T in2)
{
    return in1 + in2;
}
.
.
.
void ex_func_SF_step(void)
{
    y1 = add_function(u1, u2);
}
```



## Control Function Prototype of the *model\_step* Function



### ex\_control\_step\_function

#### Procedure

- 1 Create the model, `ex_control_step_function`. See “Configure a Signal” on page 3-3 and “Configure Input and Output Ports” on page 3-3, for more information.
- 2 Press **Ctrl+E** to open the Configuration Parameters dialog box.
- 3 On the **Code Generation > Interface** pane, click **Configure Model Functions** to open the Model Interface dialog box.
- 4 Specify the **Function specification** parameter as `Model specific C prototypes`.
- 5 Click **Get Default Configuration** to update the **Configure model initialize and step functions** section and list the input and output arguments.
- 6 To configure the function output argument to pass a pointer, in the **Step function arguments** table, specify the **Category** for the Outport as a **Pointer**. In addition, you can specify the step function arguments order and type qualifiers.
- 7 To validate your changes, click **Validate**.
- 8 Press **Ctrl+B** to build the model and generate code.

#### Results

`ex_control_step_function.c` contains the generated code:

```

void ex_control_step_function_custom(real_T arg_u1, real_T arg_u2, ...
                                   real_T *arg_y1)
{
    (*arg_y1) = arg_u1 + arg_u2;
}
  
```

## Related Examples

- “About Function Prototype Control” on page 12-2

- “Reuse Logic Patterns Using Graphical Functions”

# External C Functions

## C Construct

```
extern double add(double, double);

#include "add.h"
double add(double u1, double u2)
{
    double y1;
    y1 = u1 + u2;
    return (y1);
}
```

## Modeling Patterns

There are several methods for integrating legacy C functions into the generated code. These methods either create an S-function or make a call to an external C function. For more information on S-functions, see “S-Functions and Code Generation”.

- “Use the Legacy Code Tool to Create S-functions” on page 3-65
- “Use a Stateflow Chart to Make Calls to C Functions” on page 3-67
- “Using a MATLAB Function Block to Make Calls to C Functions” on page 3-69

## Use the Legacy Code Tool to Create S-functions

This method uses the Legacy Code Tool to create an S-function and generate a TLC file. The code generation software uses the TLC file to generate code from this S-function. The advantage of using the Legacy Code Tool is that the generated code is fully inlined and does not need wrapper functions to access the custom code.

### Procedure

- 1 Create a C header file named `add.h` that contains the function signature:  

```
extern double add(double, double);
```
- 2 Create a C source file named `add.c` that contains the function body:  

```
double add(double u1, double u2)
```

```
{
    double y1;
    y1 = u1 + u2;
    return (y1);
}
```

- 3** To build an S-function for use in both simulation and code generation, run the following script or execute each of these commands at the MATLAB command line:

```
%% Initialize legacy code tool data structure
def = legacy_code('initialize');

%% Specify Source File
def.SourceFiles = {'add.c'};

%% Specify Header File
def.HeaderFiles = {'add.h'};

%% Specify the Name of the generated S-function
def.SFunctionName = 'add_function';

%% Create a c-mex file for S-function
legacy_code('sfcn_cmex_generate', def);

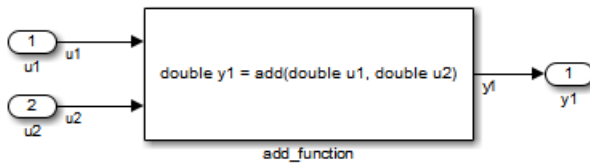
%% Define function signature and target the Output method
def.OutputFcnSpec = ['double y1 = add(double u1, double u2)'];

%% Compile/Mex and generate a block that can be used in simulation
legacy_code('generate_for_sim', def);

%% Create a TLC file for Code Generation
legacy_code('sfcn_tlc_generate', def);

%% Create a Masked S-function Block
legacy_code('slblock_generate', def);
The output of this script produces:
```

- A new model containing the S-function block
  - A TLC file named `add_function.tlc`.
  - A C source file named `add_function.c`.
  - A mexw32 dll file named `add_function.mexw32`
- 4** Add inport blocks and an outport block and make the connections, as shown in the model.



### ex\_function\_call\_lct

- 5 Name and save your model. In this example, the model is named `ex_function_call_lct`.
- 6 Press **Ctrl+B** to build the model and generate code.

### Results

The following code is generated in `ex_function_call_lct.c`:

```
real_T u1;
real_T u2;
real_T y1;
void ex_function_call_lct_step(void)
{
    y1 = add(u1, u2);
}
```

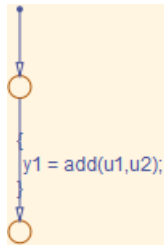
The user-specified header file, `add.h`, is included in `ex_function_call_lct.h`:

```
#include "add.h"
```

## Use a Stateflow Chart to Make Calls to C Functions

### Procedure

- 1 Create a C header file named `add.h` that contains the example function signature.
- 2 Create a C source file named `add.c` that contains the function body.
- 3 Follow the steps for “Set Up an Example Model With a Stateflow Chart” on page 3-5. This example model contains two Inport blocks and one Outport block.
- 4 Name the example model `ex_exfunction_call_SF`.
- 5 Double-click the Stateflow chart and edit the chart as shown. Place the call to the `add` function within a transition action.



#### **ex\_exfunction\_call\_SF/Chart**

- 6** On the **Stateflow Editor**, select **Simulation > Model Configuration Parameters**.
- 7** On the Configuration Parameters dialog box, select **Simulation Target > Custom Code**. In the **Include custom C code in generated** section, on the left pane, select **Header file** and in the **Header file** field, enter the **#include** statement:  

```
#include "add.h"
```
- 8** In the **Include list of additional** section, select **Source files** and in the **Source files** field, enter **add.c**.
- 9** On the Configuration Parameters dialog box, select **Code Generation > Custom Code**.
- 10** Select **Use the same custom code settings as Simulation Target**.
- 11** Press **Ctrl+B** to build the model and generate code.

#### **Results**

**ex\_exfunction\_call\_SF.c** contains the following code in the step function:

```
real_T u1;  
real_T u2;  
real_T y1;  
  
void exfunction_call_SF_step(void)  
{  
    y1 = (real_T)add(u1, u2);  
}
```

**ex\_exfunction\_call\_SF.h** contains the include statement for **add.h**:

```
#include "add.h"
```

## Using a MATLAB Function Block to Make Calls to C Functions

### Procedure

- 1 Create a C header file named `add.h` that contains the example function signature.
- 2 Create a C source file named `add.c` that contains the function body.
- 3 In the Simulink Library Browser, click **Simulink > User Defined Functions**, and drag a MATLAB Function block into your model.
- 4 Double-click the MATLAB Function block. The MATLAB Function Block Editor opens.
- 5 Edit the function to include the statement:

```
function y1 = add_function(u1, u2)

%Set the class and size of output
y1 = u1;

%Call external C function
y1 = coder.ceval('add',u1,u2);

end
```

- 6 Open the Configuration Parameters dialog box, and select **Simulation Target > Custom Code**.
- 7 In the **Include custom C code in generated** section, on the left pane, select **Header file** and in the **Header file** field, enter the statement, :
 

```
#include "add.h"
```
- 8 In the **Include list of additional** section, select **Source files** and in the **Source files** field, enter `add.c`.
- 9 Add two Inport blocks and one Outport block to the model and connect to the MATLAB Function block.
- 10 Configure the signals: `u1`, `u2`, and `y1`, as described in “Configure a Signal” on page 3-3.
- 11 Save the model as `ex_exfunction_call_ML`.
- 12 Press **Ctrl+B** to build the model and generate code.

### Results

`ex_exfunction_call_ML.c` contains the following code:

```
real_T u1;
real_T u2;
real_T y1;

void ex_exfunction_call_ML_step(void)
{
    y1 = add(u1, u2);
}
```

`ex_exfunction_call_ML.h` contains the `#include` statement for `add.h`:

```
#include "add.h"
```

### Related Examples

- “Call C Functions in C Charts”

### More About

- “When to Generate Code from MATLAB Algorithms”
- “Legacy Code Tool and Code Generation”



## Macro Definitions (#define)

### C Construct

```
#define p_1 9.8;
```

### Modeling Patterns

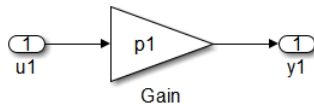
“Use a 'Define' Custom Storage Class” on page 3-71


“Use a Custom Header File” on page 3-72

### Use a 'Define' Custom Storage Class

#### Procedure

- 1 Create a model containing a Gain block.



- 2 In your model, double-click the Gain block. The Block Parameters dialog box opens.
- 3 In the **Value** field, enter a variable name. In this example, the variable name is **p1**.
- 4 Press **Ctrl+H** to open the Model Explorer. On the Model Hierarchy pane, select the Base Workspace.
- 5 Click the Add Parameter button  to add a **Simulink** parameter object. On the **Contents of: Base Workspace** pane, you see the parameter.
- 6 Double-click the **Simulink.Parameter** object and change its name to **p1**.
- 7 Click the **p1** parameter. The data object parameters are displayed in the right pane of the Model Explorer.
- 8 In the **Value** field, enter **9.8**. In the **Code generation options** section, click the **Storage Class** drop-down list and select **Define (Custom)**.
- 9 Press **Ctrl+B** to generate code.

#### Results

The generated code includes the parameter, **p1**, in **ex\_define\_data\_object.c**:

```
/* Model step function */  
void ex_define_data_object_step(void)  
{  
    rtY.y1 = p1 * rtU.u1;  
}
```

The file `ex_define_data_object.h` includes the macro definition.

```
/* Definition for custom storage class: Define */  
#define p1 9.8
```

## Use a Custom Header File

### Procedure

- 1 Follow the steps in “Use a 'Define' Custom Storage Class” on page 3-71.
- 2 In the Simulink.Parameter dialog box for `p1`, in the **Value** field, enter **9.8**. In the **Code generation options** section, click the **Storage Class** drop-down list and select **ImportedDefine (Custom)**.
- 3 In the **Header file** parameter, enter the name of the header file, in this example, `external_params.h`.
- 4 Click **Apply** and **OK**.
- 5 Create the C header file, `external_params.h` that contains the `#define` statement:

```
#ifndef _EXTERNAL_PARAMS  
#define _EXTERNAL_PARAMS  
  
#define p1 9.8  
  
#endif  
  
/* EOF */
```

- 6 Press **Ctrl+B** to generate code.

### Results

The generated code includes the parameter, `p1`, in `ex_define_data_object.c`:

```
/* Model step function */  
void ex_define_data_object_step(void)  
{  
    rtY.y1 = ((real_T)p1) * rtU.u1;  
}
```

The code also includes a guard to ensure that a definition exists for `p1`.

```
#ifndef p1
#error The variable for the parameter "p1" is not defined
#endif
```

## See Also

[Simulink.Parameter](#) | [Simulink.Signal](#)

## Related Examples

- “Control Data Representation by Applying Custom Storage Classes” on page 10-35

## More About

- “Introduction to Custom Storage Classes” on page 10-2
- “Data Objects”

### Conditional Inclusions (`#if / #endif`)

You can generate preprocessor conditional directives in your code by implementing variant blocks (`Model Variants` block or `Variant Subsystem` block) in your model. In the generated code, preprocessor conditional directives select a section of code to execute at compile time. To implement variants in your model, see “Workflow for Implementing Variants”. To generate code for variants, see “Generate Preprocessor Conditionals for Subsystem and Model Variants” on page 4-30.

# Typedef

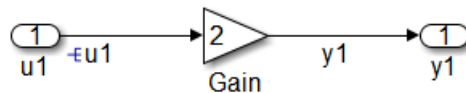
To generate a typedef definition, use a `Simulink.AliasType` data object.

## C Construct

```
typedef double float_64;
```

## Procedure

- 1 Create the `ex_get_typedef` model with a Gain block.



- 2 In the Gain block parameter dialog box, select the **Parameter Attributes** tab, and specify the **Parameter data type** as `double`.
- 3 Right-click the `u1` signal and select **Properties**. In the Signal Properties dialog box, select **Signal name must resolve to Simulink signal object**.
- 4 Right-click the `y1` signal and select **Properties**. In the Signal Properties dialog box, select the **Code Generation** tab, and specify the **Storage class** parameter as `ExportedGlobal`.
- 5 Create a new alias type by using a `Simulink.AliasType` object. At the MATLAB command line, enter:
 

```
float_64 = Simulink.AliasType;
```
- 6 In the base workspace, double-click `float_64`. The `Simulink.AliasType` dialog box opens.
- 7 Specify the **Base type** parameter as `double`. Click **Apply** and **OK**.
- 8 Create a data object for the `u1` signal. In the Model Explorer **Model Hierarchy** pane, select **Base Workspace**. On the toolbar, select **Add > Simulink Signal**, and name the new object `u1`. Specify the **Data type** parameter as `float_64` and the **Storage class** parameter as `ExportedGlobal`.

---

**Note:** You can also specify an output data type for Simulink blocks using the new alias type.

---

- 9 Click **Apply** and **OK**.
- 10 Press **Ctrl+B** to generate code.

---

**Note:** An alternative method for defining a `typedef` is to import the alias type from a custom header file. If you want to import all of the `typedefs` from a C header file, using this alternative method is useful.

---

### Results

The generated code includes the `typedef` statement within a macro guard in the generated file `ex_get_typedef.h`.

```
#ifndef _DEFINED_TYPEDEF_FOR_float_64_
#define _DEFINED_TYPEDEF_FOR_float_64_

typedef real_T float_64;

#endif
```

---

**Note:** `real_T` is the Embedded Coder `typedef` for `double` .

---

The generated code also includes the definition of the Simulink data objects of the alias type in `ex_get_typedef.c`.

```
/* Exported block signals */
float_64 y1;
float_64 u1;
```

### See Also

[Simulink.AliasType](#) | [Simulink.NumericType](#)

### Related Examples

- “Create Data Type Alias in the Generated Code” on page 8-11
- “Data Type Replacement” on page 8-29

## Structures for Parameters

To generate a structure containing parameters, use a `Simulink.Parameter` object with a `Struct` storage class.

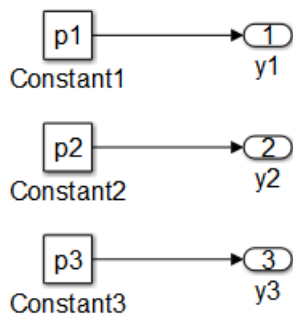
### C Construct

```
typedef struct {
    double p1;
    double p2;
    double p3;
} my_struct_type;

my_struct_type my_struct={1.0,2.0,3.0};
```

### Procedure

- 1 Create the `ex_struct_param` model with three `Constant` blocks and three `Output` blocks.



- 2 Create a data object for each parameter, `p1`, `p2`, and `p3`. At the MATLAB command line, enter:

```
p1 = Simulink.Parameter;
p2 = Simulink.Parameter;
p3 = Simulink.Parameter;
```

- 3 In the base workspace, double-click one of the parameter data objects to open the `Simulink.Parameter` dialog box.
- 4 Specify a **Value** parameter for each parameter object.
- 5 Specify the **Storage class** parameter as `Struct` for each parameter object.

- 6 In the **Custom Attributes** section, specify the **StructName** as `my_struct`. Click **Apply** and **OK**.
- 7 Press **Ctrl+B** to generate code.

### Results

The generated code includes the `typedef` definition for a structure, which is declared in the `ex_struct_param_types.h` file.

```
/* Type definition for custom storage class: Struct */
typedef struct my_struct_tag {
    real_T p1;
    real_T p2;
    real_T p3;
} my_struct_type;
```

The generated code also includes the declaration of `my_struct` in `ex_struct_param.c`.

```
/* Definition for custom storage class: Struct */
my_struct_type my_struct = {
    /* p1 */
    1.0,

    /* p2 */
    2.0,

    /* p3 */
    3.0
};
```

### See Also

`Simulink.Parameter`

### Related Examples

- “Control Data Representation by Applying Custom Storage Classes” on page 10-35

### More About

- “Introduction to Custom Storage Classes” on page 10-2
- “Data Objects”



## Structures for Signals

To generate a structure containing signals, use a `Simulink.Signal` object with a `Struct` storage class or a Simulink non-virtual bus object.

### C Construct

```
typedef struct {
    double u1;
    double u2;
    double u3;
} my_signals;
```

### Modeling Patterns

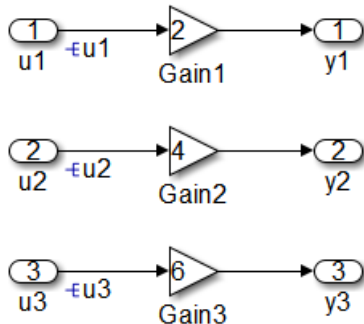
“Structure for Signals Using a 'Struct' Custom Storage Class” on page 3-79

“Structure for Signals Using a Simulink Non-Virtual Bus Object” on page 3-80

### Structure for Signals Using a 'Struct' Custom Storage Class

#### Procedure

- 1 Create the `ex_signal_struct_csc` model using the blocks shown and follow the steps to configure the signals and model.




- 2 Double-click a Gain block to open the block parameter dialog box. Set the values of the Gain blocks as shown in the model diagram.
- 3 Right-click the `u1` signal and select **Properties**. In the Signal Properties dialog box, select **Signal name must resolve to Simulink signal object**. Repeat for signals `u2` and `u3`.

- 4 At the MATLAB command line, create a `Simulink.Signal` data object for each input signal.

```
u1 = Simulink.Signal;  
u2 = Simulink.Signal;  
u3 = Simulink.Signal;
```

---

**Note:** You can also create a data object in the Model Explorer base workspace by clicking the Add Signal button .

---

- 5 In the base workspace, configure each of the data objects, `u1`, `u2`, and `u3`. Double-click a data object, to open the `Simulink.Signal` parameter dialog box.
- 6 Specify the **Data type** parameter as `auto` and the **Storage class** parameter as `Struct`.
- 7 Click **Apply** and **OK**.
- 8 Press **Ctrl+B** to generate code.

#### Results

The generated code includes the `struct` and `typedef` statements to define a structure type in the `ex_signal_struct_csc.h` file.

```
/* Type definition for custom storage class: Struct */  
typedef struct rt_Simulink_Struct_tag {  
    real_T u1;  
    real_T u2;  
    real_T u3;  
} rt_Simulink_Struct_type;
```

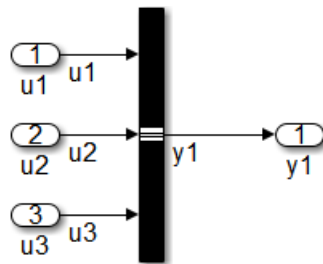
The generated code also creates a structure variable in `ex_signal_struct_csc.c`.

```
/* Definition for custom storage class: Struct */  
rt_Simulink_Struct_type rt_Simulink_Struct;
```

## Structure for Signals Using a Simulink Non-Virtual Bus Object

### Procedure

- 1 Create the `ex_signal_struct_bus` model using the blocks shown and follow the steps to configure the bus object and model.



This block creates a bus signal from its inputs.

- 2 Add the **Inport** blocks, an **Output** block, and a **Bus Creator** block to your diagram.
- 3 Double-click the **Bus Creator** block to open the block parameter dialog box.
- 4 Specify the **Number of inputs** parameter as **3**. Click **Apply**.
- 5 In your model diagram, connect the three **Inport** blocks to the three inports of the **Bus Creator** block. Also, connect the output of the **Bus Creator** block to the **Output** block.
- 6 Label the signals as shown in the model diagram.
- 7 In the **Bus Creator** block parameter dialog box, **Signals in bus** now displays the signals connected to the **Bus Creator** block.
- 8 Create a bus object named **MySignals** that includes signals **u1**, **u2**, and **u3**. For more information on creating bus objects, see “Manage Bus Objects with the Bus Editor”. Once the bus object, **MySignals**, is created, it appears in the base workspace.
- 9 In the **Bus Creator** block parameter dialog box, select the **Output as nonvirtual bus** parameter, which specifies that bus signals must be grouped into a structure in the generated code.
- 10 Click **Apply** and **OK**.
- 11 Press **Ctrl+B** to generate code.

## Results

The generated code includes the `typedef` definition for a structure, which is declared in the `signal_struct_bus_types.h` file.

```
typedef struct {
    real_T u1;
    real_T u2;
    real_T u3;
} MySignals;
```

### See Also

`Simulink.Bus` | `Simulink.Signal`

### Related Examples

- “Control Data Representation by Applying Custom Storage Classes” on page 10-35

### More About

- “Virtual and Nonvirtual Buses”
- “Data Objects”

## Nested Structures of Signals

One way to create nested structures of signals in the generated code is by using multiple non-virtual bus objects. When nesting bus objects, all of the bus objects must either be non-virtual, or all of them must be virtual.

### C Construct

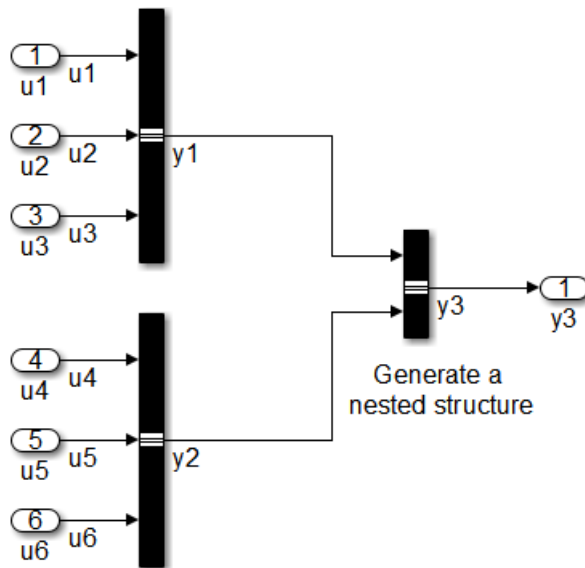
```
typedef struct {
    double u1;
    double u2;
    double u3;
} my_signals123;

typedef struct {
    double u4;
    double u5;
    double u6;
} my_signals456;

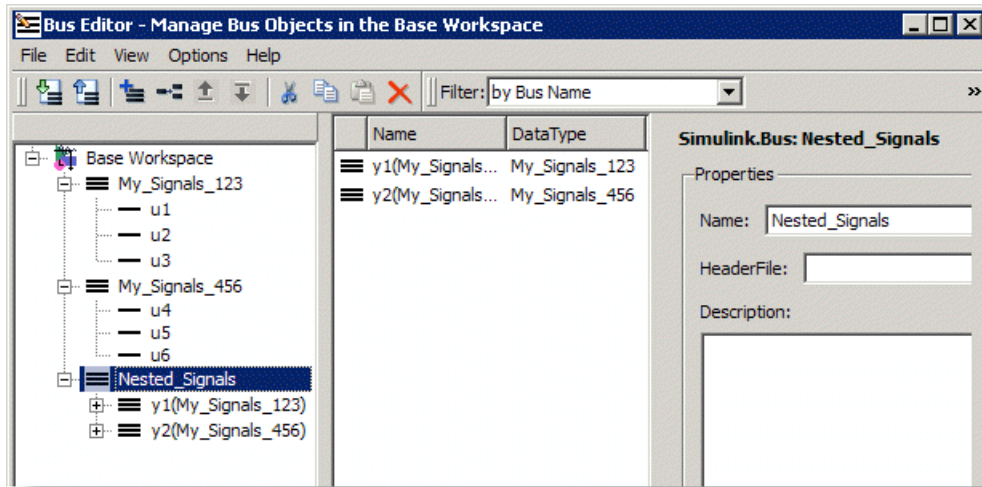
typedef struct {
    my_signals123 y1;
    my_signals456 y2;
} nested_signals;
```

### Procedure

- 1 Create the `ex_nested_structure` model using the blocks shown and follow the steps to configure the bus objects and model.



- 2 For each bus in the model, follow the instructions for “Structure for Signals Using a Simulink Non-Virtual Bus Object” on page 3-80, creating bus objects My\_Signals\_123 and My\_Signals\_456.
- 3 Drag a Bus Creator block into your model. Configure the Bus Creator block so that it takes in signals from different buses.
- 4 Double-click the Bus Creator block to open the block parameter dialog box.
- 5 Specify the **Number of inputs** parameter as 2. Click **Apply**.
- 6 In your model diagram, connect the two bus outputs to the inports of the new Bus Creator block.
- 7 Label the signals as shown in the model diagram.
- 8 In the Bus Creator block parameter dialog box, **Signals in bus** now displays the signals, y1 and y2, connected to the Bus Creator block.
- 9 Create a bus object named Nested\_Signals that includes signals y1 and y2, where the **Data Type** for y1 is My\_Signals\_123 and the **Data Type** for y2 is My\_Signals\_456.



For more information on creating bus objects, see “Manage Bus Objects with the Bus Editor”. Once the bus object, `Nested_Signals`, is created, it appears in the base workspace.

- 10 In the Bus Creator block parameter dialog box, select the **Output as nonvirtual bus** parameter, which specifies that bus signals must be grouped into a structure in the generated code.
- 11 Click **Apply** and **OK**.
- 12 Press **Ctrl+B** to generate code.

## Results

The generated code includes the `typedef` definitions for structures, which are declared in the `ex_nested_structure_types.h` file.

```
#ifndef _DEFINED_TYPEDEF_FOR_My_Signals_123_
#define _DEFINED_TYPEDEF_FOR_My_Signals_123_

typedef struct {
    real_T u1;
    real_T u2;
    real_T u3;
} My_Signals_123;

#endif
```

```
#ifndef _DEFINED_TYPEDEF_FOR_My_Signals_456_
#define _DEFINED_TYPEDEF_FOR_My_Signals_456_

typedef struct {
    real_T u4;
    real_T u5;
    real_T u6;
} My_Signals_456;

#endif

#ifndef _DEFINED_TYPEDEF_FOR_Nested_Signals_
#define _DEFINED_TYPEDEF_FOR_Nested_Signals_

typedef struct {
    My_Signals_123 y1;
    My_Signals_456 y2;
} Nested_Signals;

#endif
```

### See Also

[Simulink.Bus](#) | [Simulink.Signal](#)

### More About

- “Virtual and Nonvirtual Buses”
- “Data Objects”



## Bitfields

One way to create bitfields in the generated code is by using a `Simulink.Parameter` object with `BitField` storage class.

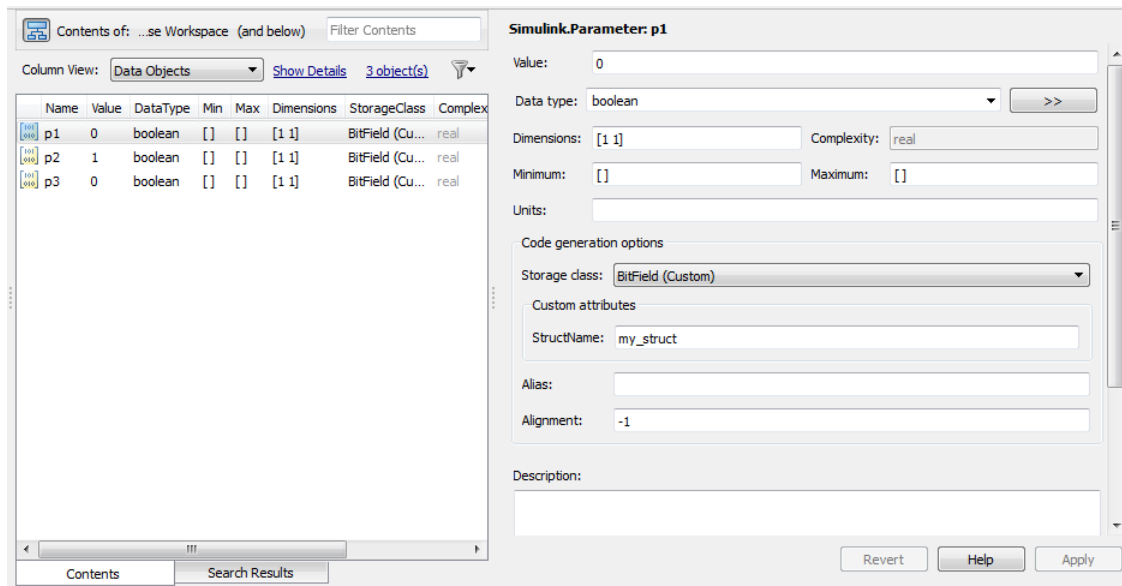
### C Construct

```
typedef struct {  
    unsigned int p1 : 1;  
    unsigned int p2 : 1;  
    unsigned int p3 : 1;  
} my_struct_type
```

### Procedure

- 1 Using the model, `ex_struct_param`, in “Structures for Parameters” on page 3-77, rename the model as `ex_struct_bitfield_GSC`.
- 2 Create a data object for each parameter, `p1`, `p2`, and `p3`. At the MATLAB command line, enter:  

```
p1 = Simulink.Parameter;  
p2 = Simulink.Parameter;  
p3 = Simulink.Parameter;
```
- 3 In the base workspace, double-click one of the parameter data objects to open the `Simulink.Parameter` dialog box.
- 4 Specify the **Value** parameter for each parameter object.
- 5 Specify the **Storage class** parameter as `BitField` for each parameter object.
- 6 In the **Custom Attributes** section, specify the **StructName** as `my_struct`. Click **Apply** and **OK**.
- 7 Specify the data objects for each parameter.



8 Press **Ctrl+B** to generate code.

## Results

The generated code of the model, `ex_struct_bitfield_CSC`, includes the typedef definition for a Bitfield, which is declared in the `ex_struct_bitfield_CSC_types.h` file.

```
/* Type definition for custom storage class: BitField */
typedef struct my_struct_tag {
    uint_T p1 : 1;
    uint_T p2 : 1;
    uint_T p3 : 1;
} my_struct_type;
```

## See Also

Simulink.Parameter

## Related Examples

- “Control Data Representation by Applying Custom Storage Classes” on page 10-35

**More About**

- “Introduction to Custom Storage Classes” on page 10-2
- “Data Objects”

## Arrays for Parameters

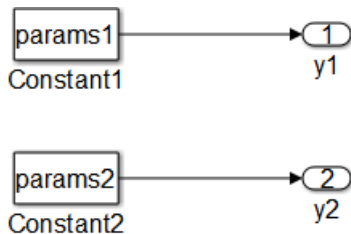
To create an array in the generated code, you can use a constant parameter in the base workspace, or a `Simulink.Parameter`.

### C Construct

```
int params[5]= {1,2,3,4,5};
```

### Procedure

- 1 Create a model, `ex_array_params`, containing the Constant blocks and Output blocks and label the blocks as shown in the model diagram.



- 2 Double-click the Constant1 block and give the **Constant value** the name of a parameter, `params1`.
- 3 Double-click the Constant2 block and give the **Constant value** the name of a parameter, `params2`.
- 4 To create the parameters in the base workspace, at the MATLAB command prompt, enter:
 

```
params1 = [1,2,3,4,5];
params2 = Simulink.Parameter;
```
- 5 In the base workspace, double-click `params2` to open the `Simulink.Parameter` dialog box.
- 6 In the **Value** field, specify the array, `[1 2 3 4 5]`. Set **Data type** to `int16`. Set **Storage class** to `ExportedGlobal`. Click **OK**.
- 7 Press **Ctrl+E** to open the Configuration Parameters dialog box.
- 8 Open the **Optimization > Signals and Parameters** pane, and set **Default parameter behavior** to `Inlined`.
- 9 Click **Apply** and **OK**.

**10** Press **Ctrl+B** to generate code.

## Results

The generated code includes the exported data object, `params2`, in the `ex_array_params.c` file.

```
int16_T params2[5] = { 1, 2, 3, 4, 5 } ;
```

Even though you set **Default parameter behavior** to **Inlined**, the code generator cannot inline the value of the array `params1`. Therefore, `params1` is defined as a structure field in the `ex_array_params_data.c` file.

```
/* Constant parameters (auto storage) */
const ConstP_ex_array_params_T ex_array_params_ConstP = {
  /* Expression: params1
   * Referenced by: '<Root>/Constant'
   */
  { 1, 2, 3, 4, 5 }
};
```

Nontunable constant-valued parameters such as `params1` appear as fields of the global data structure `ex_array_params_ConstP`. The definition of the structure type, `ConstP_ex_array_params_T`, appears in the `ex_array_params.h` file.

```
typedef struct {
  /* Expression: params1
   * Referenced by: '<Root>/Constant'
   */
  real_T Constant_Value[5];
} ConstP_ex_array_params_T;
```

## See Also

`Simulink.Parameter`

## Related Examples

- “Control Parameter Representation and Declare Tunable Parameters in the Generated Code”

## More About

- “Parameter Storage in the Generated Code”
- “Data Objects”

## Arrays for Signals

To create an array in the generated code for signal data, you can specify a signal as `ExportedGlobal`, or use a `Simulink.Signal` object.

### C Construct

```
int u1[5];
int y1[5];
```

### Procedure

- 1 Create the `ex_array_signals` model using the blocks shown and follow the steps to configure the signals and model.



- 2 Double-click the Inport block to open the Inport block parameter dialog box.
- 3 Select the **Signal Attributes** tab and specify the **Port dimensions** parameter as **5**, for an array of length 5.
- 4 Click **OK**.
- 5 Right-click the `u1` signal line and select **Properties**.
- 6 Select the **Code Generation** tab and specify the **Storage class** parameter as `ExportedGlobal`.
- 7 Repeat steps 5 and 6 for signal `y1`.
- 8 Press **Ctrl+B** to generate code.

---

**Note:** Alternatively, you can use Simulink data objects (`Simulink.Signal`) to specify the storage class and dimensions for the signals, `u1` and `y1`.

---

### Results

The generated code includes arrays for `u1` and `y1` in the `ex_array_signals.c` file:

```
int16_T u1[5];
int16_T y1[5];
```

In this case, a `for` loop is generated to carry out the gain operations on elements of the input signal.

```
int32_T i;
for (i = 0; i < 5; i++) {
    y1[i] = (int16_T)(5 * u1[i]);
}
```

However, if the dimension of the array is less than a threshold value (typically 5), code generation might not include a `for` loop for array operations.

## See Also

`Simulink.Signal`

## Related Examples

- “Control Signals and States in Code by Applying Storage Classes”

## More About

- “Data Objects”

## Pointers for Signals

To create a pointer in the generated code, you can configure a signal to use the `ImportedExternPointer` storage class or use a `Simulink.Signal` (or `Simulink.Parameter` for parameters) object with an `ImportedExternPointer` storage class.

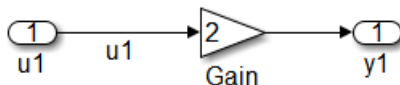
### C Construct

```
extern double *u1;
```

### Procedure

This is a quick method to obtain pointers in the generated code. You cannot control the data type, which is decided by the model compilation process.

- 1 Create the `ex_pointer_signal` model using the blocks shown and follow the steps to configure the signals and model.



- 2 Label the signal to be imported as a pointer, in this example, `u1`.
- 3 Right-click the `u1` signal line and select **Properties**.
- 4 Select the **Code Generation** tab and specify the **Storage Class** parameter as `ImportedExternPointer`.
- 5 Click **OK**.
- 6 Press **Ctrl+B** to generate code.

### Results

The generated code includes the `extern` declaration for the pointer in the `ex_pointer_signal_private.h` file.

```
extern real_T *u1;
```

### Related Examples

- “Control Signals and States in Code by Applying Storage Classes”



## Pointers Using Simulink Data Objects

You can control the data type of a signal or parameter by using a Simulink data object to generate a pointer.

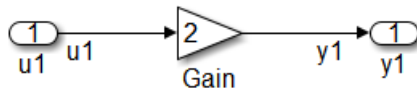
### C Construct

```
extern double *u1;
```

### Procedure

You can use this procedure for either a signal or parameter. To create a pointer for a parameter, use a `Simulink.Parameter` instead of a `Simulink.Signal` data object described in step 3.

- 1 Create the `ex_pointer_signal_data_object` model using the blocks shown and follow the steps to configure the signals and model.



- 2 Label the signal to be imported as a pointer, in this example, `u1`.
- 3 At the MATLAB command line, create a data object for signal `u1`.
 

```
u1 = Simulink.Signal;
```
- 4 In the base workspace, double-click `u1` to open the `Simulink.Signal` dialog box.
- 5 Specify the **Storage class** parameter as `ImportedExternPointer`.
- 6 Click **Apply** and **OK**.
- 7 Press **Ctrl+B** to generate code.

### Results

The generated code includes the `extern` declaration for the pointer in the `ex_pointer_signal_data_object_private.h` file.

```
extern real_T *u1;
```

The `ex_pointer_signal_data_object_private.h` file imports the pointer into the generated code. To compile the code, you must declare and define the pointer in the main program.

### See Also

`Simulink.Parameter` | `Simulink.Signal`

### Related Examples

- “Control Signals and States in Code by Applying Storage Classes”

### More About

- “Data Objects”

# Variant Systems

---

- “Implement Dimension Variants for Array Sizes in Generated Code” on page 4-2
- “Code Generation for Variant Source, Sink, Subsystem, and Model Blocks” on page 4-15
- “Represent Subsystem and Model Variants in Generated Code” on page 4-18
- “Generate Preprocessor Conditionals for Subsystem and Model Variants” on page 4-30
- “Represent Variant Source and Sink Blocks in Generated Code” on page 4-34
- “Configure Dimension Variants for S-Function Blocks” on page 4-44

## Implement Dimension Variants for Array Sizes in Generated Code

### Dimension Variants

You can use symbolic dimensions to simulate various sets of dimension choices without regenerating code for every set. Set up your model with dimensions that you specify as symbols in blocks and in data objects. These symbols propagate throughout the model during simulation, and then go into the generated code. Modeling constraints for symbols during simulation (for example,  $C=A+B$ ) are output as preprocessor conditionals in either the `model.h` file or the `model_types.h` file.

You can directly specify dimension information as a symbol or a numeric constant for these blocks and data objects:

- Inport
- Output
- Signal Specification
- Data Store Memory
- Interpreted MATLAB Function
- Simulink.Signal
- Simulink.Parameter
- Simulink.BusElement
- AUTOSAR.Parameter

The Data Store Memory and Interpreted MATLAB Function blocks also support variable dimension signals. For these blocks, the symbolic dimensions control the maximum allowed dimension size.

You use `Simulink.Parameter` objects to specify dimension information as symbols. For more information on signal dimensions, see “Signal Dimensions”.

---

**Note:** The dimension variants feature is on by default. You can turn off this feature by clearing the **Allow symbolic dimension specification** parameter on the **All Parameters** tab of the Configuration Parameters dialog box.

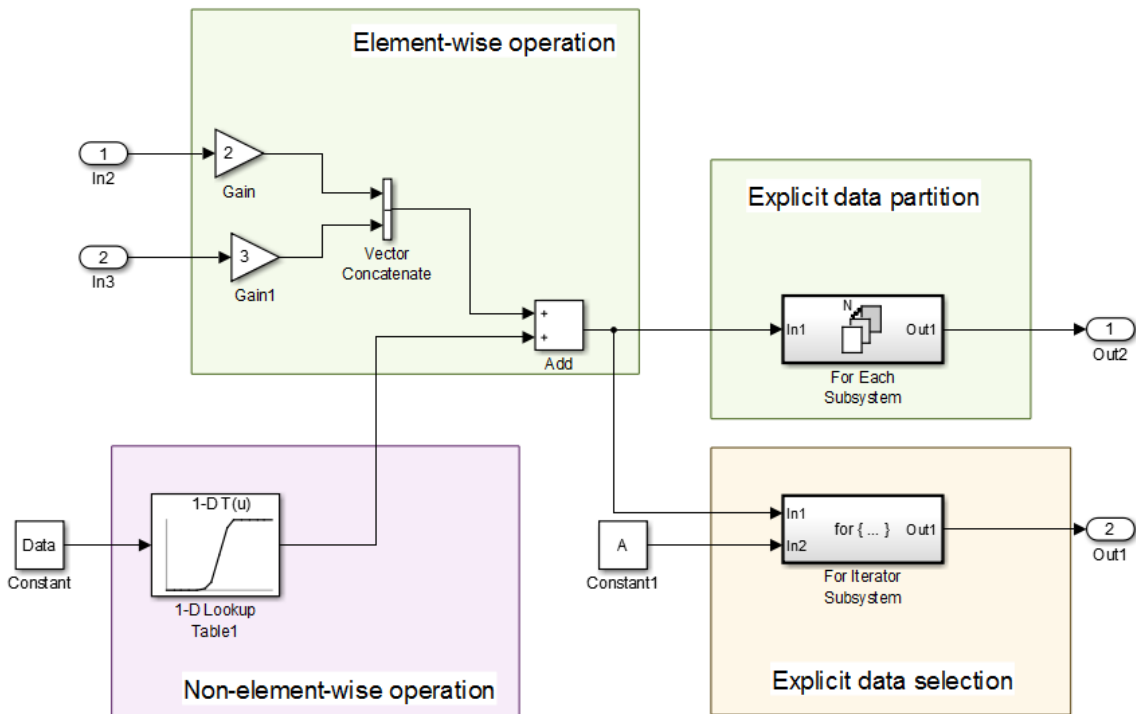
---

## Define Symbolic Dimensions

This example uses the model `rtwdemo_dimension_variants` to show how to implement symbolic dimensions. This model has four modeling patterns involving vectors and matrices.

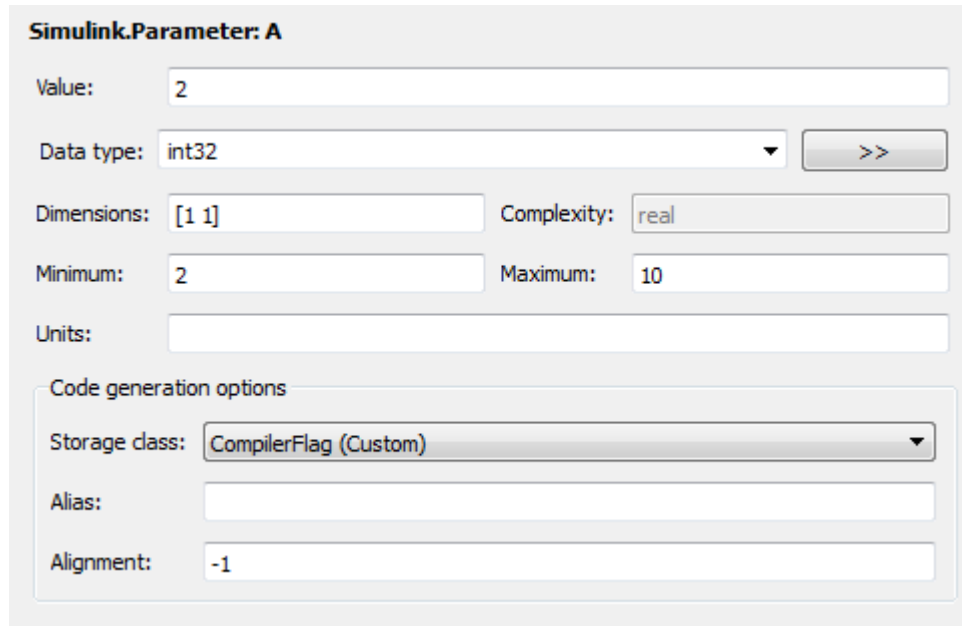
- 1 Open the model `rtwdemo_dimension_variants`.

```
open_system('rtwdemo_dimension_variants')
```



- 2 Open the Model Explorer. Select the base workspace pane.
- 3 In the base workspace, there are four `Simulink.Parameter` objects for specifying symbolic dimensions. These `Simulink.Parameter` objects have the names A, B, C, and D.

- 4 Click the `Simulink.Parameter` object A. Review the information in the **Simulink.Parameter** dialog box.



The screenshot shows the **Simulink.Parameter: A** dialog box. It contains the following fields and values:

- Value:** 2
- Data type:** int32 (with a dropdown arrow and a >> button)
- Dimensions:** [1 1]
- Complexity:** real
- Minimum:** 2
- Maximum:** 10
- Units:** (empty field)
- Code generation options:**
  - Storage class:** CompilerFlag (Custom) (with a dropdown arrow)
  - Alias:** (empty field)
  - Alignment:** -1

A has a storage class of `CompilerFlag`. To use a `Simulink.Parameter` object for dimension specification, it must have one of these storage classes:

- `Define` or `ImportedDefine` with header file specified
  - `CompilerFlag`
  - User-defined custom storage class that defines data as a macro in a specified header file
- 5 Repeat Step 4 for each of the `Simulink.Parameter` objects B, C, and D.
  - 6 For `Simulink.Parameter` objects with an `ImportedDefine` custom storage class, provide a header file on the MATLAB path. Insert the name of the header file in the **HeaderFile** field in the **Simulink.Parameter** dialog box.

---

**Note:** You can use MATLAB expressions to specify symbolic dimensions. For a list of supported MATLAB Expressions, see the section Operators and Operands in Variant Condition Expressions in “Switch Between Variant Choices”

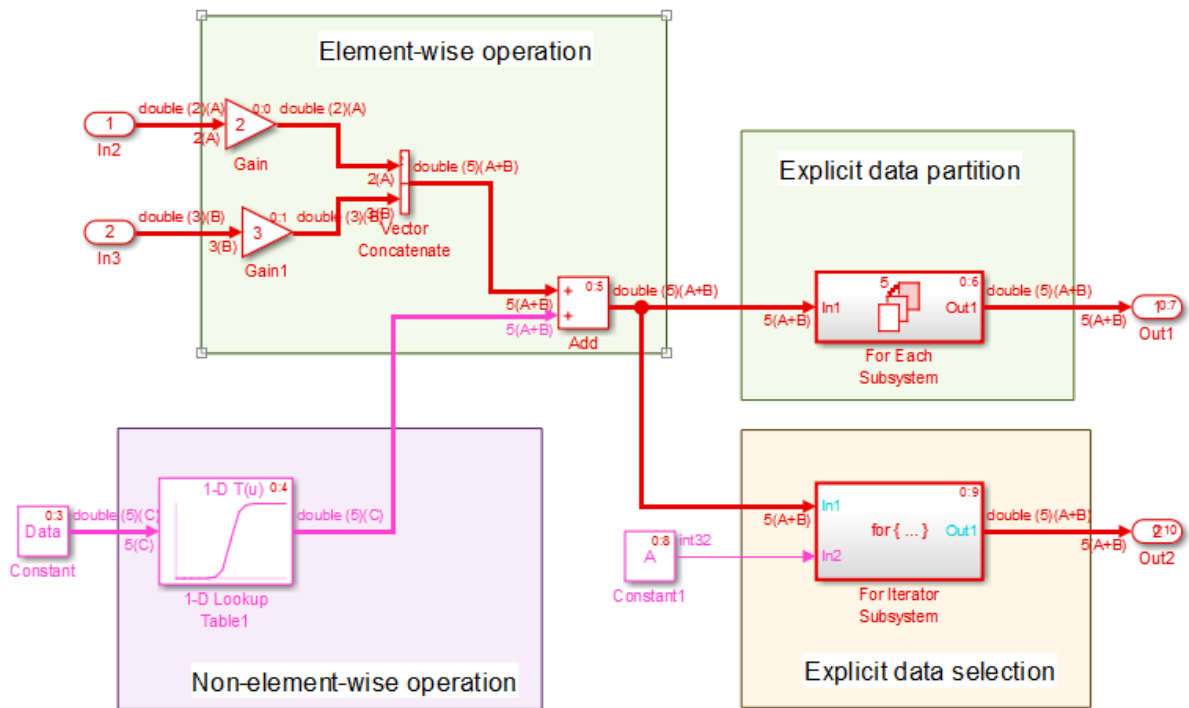
---

## Specify Symbolic Dimensions for Blocks and Data Objects

- 1 Open the Source Block Parameters dialog box of Inport block In2. In the **Signal Attributes** tab, the **Port Dimensions** field contains the Simulink.Parameter object A. For Inport blocks, you specify symbolic dimensions in the **Port Dimensions** field.
- 2 Open the Source Block Parameters dialog box of Inport block In3. In the **Signal Attributes** tab, the **Port Dimensions** field contains the Simulink.Parameter object B.
- 3 In the base workspace, click the Simulink.Parameter object Data. In the Simulink.Parameter dialog box for Data, the **Dimensions** field has the string '[1,C]', which is equivalent to '[1,5]' because C has a value of 5. The **Value** field contains an array with 5 values, so the dimensions of C are consistent with the dimensions of the Data object. The dimensions of the data object must always be consistent with the value of the Simulink.Parameter object that is in the data object **Dimensions** field.

Data has a **Storage class** of ImportedExtern. A Simulink.Parameter object that uses a Simulink.Parameter for symbolic dimension specification must have a storage class of either ImportedExtern or ImportedExternPointer.

- 4 Open the Block Parameters dialog box of the 1-D Lookup Table1 block. The **Table data** field contains the Simulink.Parameter, PT. The **Breakpoints1** field contains the Simulink.Parameter, PB.
- 5 In the base workspace, view the information in the Simulink.Parameter dialog boxes for PB and PT. These parameters contain the string '[1,D]' in their **Dimensions** field and are arrays consisting of 15 values. The dimensions of D are consistent with the dimensions of the PB and PT parameters because D has a value of 15.
- 6 Simulate the model.



Simulink propagates the dimensions symbolically in the diagram, as is shown in the figure. During propagation, Simulink establishes modeling constraints among symbols. Simulink then checks for consistency with these constraints based on current numerical assignments. One modeling constraint for `rtwdemo_dimension_variants` is that  $C=A+B$ . The **Diagnostic Viewer** produces a warning for any violations of constraints.

- 7 Change the dimension specification to a different configuration and simulate the model again.

Though not shown in this example, you can specify an  $n$ -D dimension expression with one or more of the dimensions being a symbol (for example, `'[A,B,C]'` or `'[1,A,3]'`).



## Generate Code for a Model with Dimension Variants

Once you have verified dimension specifications through model simulation, generate code for `rtwdemo_dimension_variants`. View the generated code.

In the `rtwdemo_dimension_variants.h` file, symbolic dimensions are in data declarations.

```
extern real_T Data[C];
extern real_T PB[D];
extern real_T PT[D];
```

```
typedef struct {
    real_T In2[A];
    real_T In3[B];
} ExtU;
```

```
typedef struct {
    real_T Out1[A + B];
    real_T Out2[A + B];
} ExtY;
```

The `rtwdemo_dimension_variants.h` file contains data definitions and preprocessor conditionals that define constraints established among the symbols during simulation. One of these constraints is that the value of a symbolic dimension must be greater than 1. This file also includes the user-provided header file for any `Simulink.Parameter` objects with an `ImportedDefine` custom storage class.

```
#ifndef A
#error The variable for the parameter "A" is not defined
#endif
```

```
#ifndef B
#error The variable for the parameter "B" is not defined
#endif
```

```
#ifndef C
#error The variable for the parameter "C" is not defined
#endif
```

```
#ifndef D
#error The variable for the parameter "D" is not defined
#endif
```

```
#if C != A+B
# error "The preprocessor definition 'C' must be equal to 'A+B'"
#endif

#if A <= 1
# error "The preprocessor definition 'A' must be greater than '1'"
#endif

#if B <= 1
# error "The preprocessor definition 'B' must be greater than '1'"
#endif

#if D <= 1
# error "The preprocessor definition 'D' must be greater than '1'"
#endif

#if C <= 1
# error "The preprocessor definition 'C' must be greater than '1'"
#endif
```

In the file, symbolic dimensions participate in loop bound calculations, array size and index offset calculations, and a parameterized utility function (for example, Lookup Table block) calculation.

```
void rtwdemo_dimension_variants_step(void)
{
    int32_T ForEach_itr;
    int32_T iU;
    real_T rtb_VectorConcatenate[A + B];
    int32_T s2_iter;
    real_T rtb_uDLookupTable1;
    for (iU = 0; iU < A; iU++) {
        rtb_VectorConcatenate[iU] = 2.0 * rtU.In2[iU];
    }

    for (iU = 0; iU < B; iU++) {
        rtb_VectorConcatenate[A + iU] = 3.0 * rtU.In3[iU];
    }

    for (iU = 0; iU < C; iU++) {
        rtb_uDLookupTable1 = look1_binlx(Data[iU], PB, PT, D - 1U);
        rtb_VectorConcatenate[iU] += rtb_uDLookupTable1;
    }
}
```

```

for (ForEach_itr = 0; ForEach_itr < A + B; ForEach_itr++) {
    rtY.Out1[ForEach_itr] = 2.0 * rtb_VectorConcatenate[ForEach_itr];
}

for (s2_iter = 0; s2_iter < A; s2_iter++) {
    if (s2_iter == 0) {
        for (iU = 0; iU < A + B; iU++) {
            rtY.Out2[iU] = rtb_VectorConcatenate[iU];
        }
    }

    rtY.Out2[s2_iter] = rtb_VectorConcatenate[s2_iter] * 2.0;
}
}

```

## Code Generation Optimization Considerations

When you create a model with symbolic dimensions, be aware of the following optimization considerations:

- The code generator reuses buffers only if dimension propagation establishes equivalence among buffers.
- Two loops with symbolic loop bound calculations are fused together only if they share equivalent symbolic expression.
- Optimizations do not eliminate a symbolic expression or condition check based on the current value of a symbolic dimension.

## Backward Compatibility

If an existing model uses `Simulink.Parameter` objects to specify dimensions, it can be incompatible with dimension variants. Here are two common scenarios:

- Only a subset of blocks accepts symbolic dimension specifications. If a block is not compatible with symbolic dimensions, it causes an update diagram error.
- Any `Simulink.Parameter` objects that you use to define symbolic dimensions or have symbolic dimensions must have one of the storage classes described in this example. If these specifications are not met, the build procedure for the model fails during code generation.

You can address these backward compatibility issues by doing the following:

- Turn off dimension variants feature by clearing the **Allow symbolic dimension specification** parameter on the **All Parameters** tab in the Configuration Parameters dialog box.
- Update any `Simulink.Parameter` objects that define symbolic dimensions or have symbolic dimension specifications.
- Update the model so that only supported blocks have symbolic dimensions or propagate symbolic dimensions.

For a list of supported blocks, see “Supported Blocks” on page 4-10.

## Supported Blocks

These blocks support dimension variants. Unsupported blocks (for example, `MATLAB Function`) can still work in a model containing symbolic dimensions as long as these blocks do not directly interact with symbolic dimensions.

Discrete	Logic and Bit Operations	Lookup Tables
Memory	Compare to Constant	1-D
Unit Delay	Compare to Zero	2-D
Zero-Order Hold	Logical Operator	n-D
	Relational Operator	Interpolation Using Prelookup
		Prelookup

Math Operations			
Abs	Dot Product	Product	Unary Minus
Add	Gain	Product of Elements	Vector Concatenate
Assignment	Math Function	Subtract	
Bias	Matrix Concatenate	Sum	
Divide (Element-wise mode only)	MinMax	Sum of Elements	

Signal Attributes			
Data Type Conversion	Data Type Propagation	Probe	Signal Conversion

Signal Attributes			
Data Type Duplicate	IC	Rate Transition	Signal Specification

Signal Routing			
Bus Assignment	Data Store Read	Multiport Switch	Variant Sink
Bus Creator	Data Store Write	Mux	Variant Source
Bus Selector	Manual Switch	Selector	Variant Merge
Data Store Memory	Merge	Switch	

Sink	Sources
Display	Constant
Terminator	Enumerated Constant
To File	Ground
To Workspace	

Subsystems			
Atomic	For Each	If Action	Variant
Code Reuse	For Iterator	Model	While Iterator
Enabled and Triggered	Function-Call Feedback Latch	Switch Case	
Enabled	Function-Call	Trigger	

User-Defined Functions
Simulink Function

In the following cases, supported blocks do not propagate symbolic dimensions.

- For Unit Delay blocks, you specify a `Simulink.Signal` object that has symbolic dimensions for the **Block Parameters > State Attributes > State name** parameter.
- For Assignment and Selector blocks, you set the **Block Parameters > Index Option** parameter to `Index vector (dialog)`.

- For the Sum block, you specify |+ for the **Block Parameters > List of signs** parameter, and you set the **Block Parameters > Sum over** parameter to **Specified dimension**.
- For the Product block, you specify a value of 1 for the **Block Parameters > Number of inputs** parameter, and you set the **Multiply over** parameter to **Specified dimensions**.
- For the ForEach Block, you specify a symbolic dimension for the **Partition Width** parameter.
- A Demux block that has more than one output.

Note that the following modeling patterns are among those that can cause Simulink to error out:

- For Switch blocks, an input signal or the **Threshold** parameter has symbolic dimensions, and you select **Allow different data input sizes (Results in variable-size output signal)**.
- A Data Store Read block selects elements of a `Simulink.Bus` signal that has symbolic dimensions.
- For all Lookup Table blocks, on the **Block Parameters > Algorithm** tab, you select the parameter **Use one input port for all input data**.

### Limitations

The following products and software capabilities support dimension variants in that they act on the numeric value of a symbolic dimension. These features do not support the propagation of symbolic dimensions during model simulation and the preservation of symbolic dimensions in the generated code.

- Code Replacement for Lookup Tables
- Software-in-the-Loop (SIL) and Processor-in-the-Loop (PIL) simulations
- Accelerator and rapid accelerator simulation modes
- All scope and simulation observation (for example, logging, SDI, and so on)
- Model coverage
- Simulink Design Verifier
- Fixed-Point Designer
- Data Dictionary
- Simulink PLC Coder

- HDL Coder

The following do not support dimension variants:

- System Object
- Stateflow
- Physical modeling
- Discrete-event simulation
- Frame data
- MATLAB functions

The following limitations also apply to models that utilize symbolic dimensions.

- For simulation, the size of a symbolic dimension can equal 1. For code generation, the size of a symbolic dimension must be greater than 1.
- Simulink propagates symbolic dimensions for an entire structure or matrix, but not for a part of a structure or matrix. For example, the `Simulink.Parameter P` is a 2x3 matrix with symbolic dimensions `[Dim,Dim1]`.

```
p=Simulink.Parameter(struct('A',[1 2 3;4 5 6]))
p.DataType='Bus:bo'
bo=Simulink.Bus
bo.Elements(1).Name='A'
bo.Elements(1).Dimensions='[Dim,Dim1]'
Dim=Simulink.Parameter(2)
Dim1=Simulink.Parameter(3)
p.CoderInfo.StorageClass='Custom'
p.CoderInfo.CustomStorageClass='Define'
Dim.CoderInfo.StorageClass='Custom'
Dim.CoderInfo.CustomStorageClass='Define'
Dim1.CoderInfo.StorageClass='Custom'
Dim1.CoderInfo.CustomStorageClass='Define'
```

If you specify `p.A` for a dimensions parameter, Simulink propagates the symbolic dimensions `[Dim,Dim1]`. If you specify `p.A(1,:)`, Simulink propagates the numeric dimension 3 but not the symbolic dimension, `Dim1`.

- The MATLAB expression `A(:)` does not maintain symbolic dimension information. Use `A` instead.
- The MATLAB expression `P(2:A)` does not maintain symbolic dimension information. Use the Selector block instead.

- The MATLAB expression `P(2, :)` is not a tunable expression, so it does not maintain symbolic dimension information.
- Suppose that you set the value of a mask parameter, `myMaskParam`, by using a field of a structure or by using a subset of the structures in an array of structures. You store the structure or array of structures in a `Simulink.Parameter` object so that you can use a `Simulink.Bus` object to apply symbolic dimensions to the structure fields. Under the mask, you configure a block parameter to use one of the fields that have symbolic dimensions. The table shows some example cases.

Description	Value of mask parameter ( <code>myMaskParam</code> )	Value of block parameter
<code>myStruct</code> is a structure with field <code>gains</code> , which uses symbolic dimensions.	<code>myStruct.gains</code>	<code>myMaskParam</code>
<code>myStruct</code> is a structure with field hierarchy <code>myStruct.subStruct.gains</code> . The field <code>gains</code> uses symbolic dimensions.	<code>myStruct.subStruct</code>	<code>myMaskParam.gains</code>
<code>myStructs</code> is an array of structures. Each structure has a field <code>gains</code> , which uses symbolic dimensions.	<code>myStructs(2)</code>	<code>myMaskParam.gains</code>

In these cases, you cannot generate code from the model. As a workaround, choose one of these techniques:

- Use the entire structure (`myStruct`) or array of structures (`myStructs`) as the value of the mask parameter. Under the mask, configure the block parameter to dereference the target field from the mask parameter by using the appropriate expression such as `myMaskParam.subStruct.gains`.
- Use literal dimensions instead of symbolic dimensions for the target field (`gains`).

### Related Examples

- “Configure Dimension Variants for S-Function Blocks” on page 4-44



## Code Generation for Variant Source, Sink, Subsystem, and Model Blocks

Embedded Coder generates code from a Simulink model containing one or more **Variant Subsystem**, **Variant Source**, and **Variant Sink** blocks. To learn how to create a model containing variant blocks, see “Workflow for Implementing Variants”.

Code is generated for different variant choices, the active variant, and the default variant. To generate code for variants, set the following conditions in the **Variant Subsystem**, **Variant Source**, or **Variant Sink** block:

- Clear the option **Override variant conditions and use the following variant**.
- Select the option **Analyze all choices during update diagram and generate preprocessor conditionals**.

Code generated for **Variant Subsystem** blocks is surrounded by C preprocessor conditionals `#if`, `#else`, `#elif`, and `#endif`. Code generated for **Variant Source** and **Variant Sink** blocks is surrounded by C preprocessor conditionals `#if` and `#endif`. Therefore, the active variant is selected at compile time and the preprocessor conditionals determine which sections of the code to execute.

To construct model reference variants and generate preprocessor directives in the generated code, see the example “Use Model Variants to Generate Code That Uses C Preprocessor Conditionals”.

To construct variant subsystems and generate preprocessor directives in the generated code, see the example “Use Subsystem Variants To Generate Code That Uses C Preprocessor Conditionals”.

To construct models with variant sources and sinks and generate preprocessor directives in the generated code, see the example “Represent Variant Source and Sink Blocks in Generated Code” on page 4-34

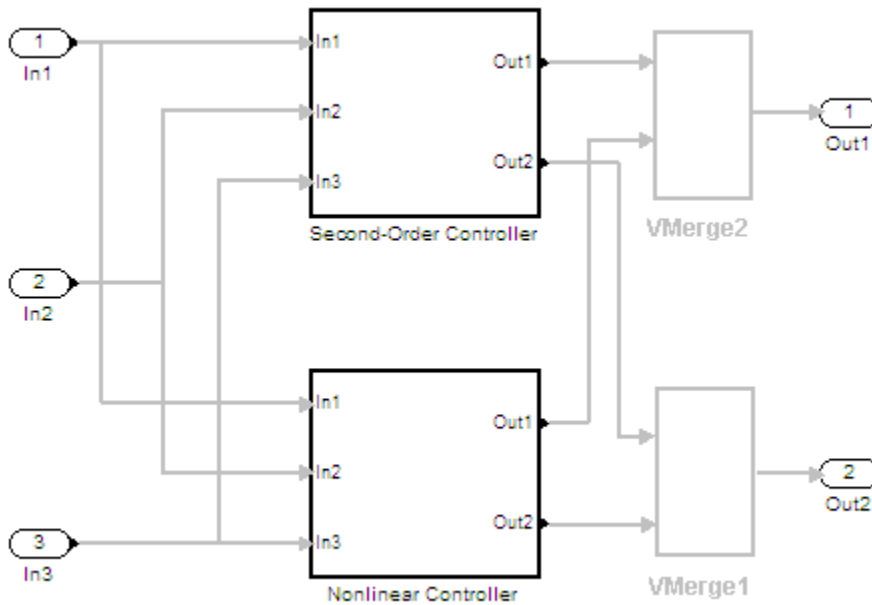
### Restrictions on Variant Subsystem Code Generation

To generate preprocessor conditionals, the types of blocks that you can place within the child subsystems of a **Variant Subsystem** block are limited. Connections are not allowed in the **Variant Subsystem** block diagram. However, during the code generation process, one **VariantMerge** block is placed at the input of each **Output** block within

the Variant Subsystem block diagram. All of the child subsystems connect to each of the VariantMerge blocks.

In the figure below, the code generation process makes the following connections and adds VariantMerge blocks to the `sldemo_variant_subsystems` model.

When compared to a generic Merge block the VariantMerge block can have only one parameter which is the number of Inputs. The VariantMerge block is used for code generation in variant subsystems internally, and is not available externally to be used in models. The number of inputs for VariantMerge is determined and wired as shown in the figure below.



The child subsystems of the Variant Subsystem block must be atomic subsystems. Select **Treat as atomic unit** parameter in the Subsystem block parameters dialog, to make the subsystems atomic. The VariantMerge blocks are inserted at the output of the subsystems if more than one child subsystems are present. If the source block of a VariantMerge block input is nonvirtual, an error message will be displayed during code generation. You must make the source block contiguous, by inserting Signal Conversion

blocks inside the variant choices. The `VariantMerge` block does not support variable dimensions through it, so you cannot have child subsystems with different output signal dimensions.

## Generated Code Components Not Compiled Conditionally

The following components in the generated code are not compiled conditionally. This is true even if they are referenced only by code for variant subsystems or models that are conditionally compiled.

- `rtModel` data structure fields
- `#include`'s of utility files
- Global non-constant parameter structure fields; when the configuration parameter **Optimization > Signals and Parameters > Parameter structure** is set to `NonHierarchical`
- Global constant parameter structure fields that are referenced by multiple subsystems activated by different variants
- Parameters that are configured to use an imported, exported, or custom code generation storage class, and are referenced by multiple subsystems that are activated by different variants
- Parameters that are configured to use an imported, exported, or custom code generation storage class, and are used by variant model blocks

## Represent Subsystem and Model Variants in Generated Code

<b>In this section...</b>
“Step 1: Represent Variant Choices in Simulink” on page 4-18
“Step 2: Specify Conditions That Control Variant Choice Selection” on page 4-22
“Step 3: Configure Model for Generating Preprocessor Conditionals” on page 4-24
“Step 4: Review Generated Code” on page 4-25
“Limitations” on page 4-28

**Required products:** Simulink, Embedded Coder, Simulink Coder

Using Simulink, you can create models that are based on a modular design platform that comprises a fixed common structure with a finite set of variable components. The variability helps you develop a single, fixed master design with variable components. For more information, see “What Are Variants and When to Use Them” (Simulink). When you implement variants in the generated code, you can:

- Reuse generated code from a set of application models that share functionality with minor variations.
- Share generated code with a third party that activates one of the variants in the code.
- Validate the supported variants for a model and then choose to activate one variant for a particular application, without regenerating and re-validating the code.
- Generate code for the default variant that is selected when an active variant does not exist.

Using Embedded Coder, you can generate code from Simulink models containing one or more variant choices. The generated code contains preprocessor conditionals that control the activation of each variant choice.

This example shows how to represent variant choices in a Simulink model and then prepare the model so that those variant choices are represented in generated code.

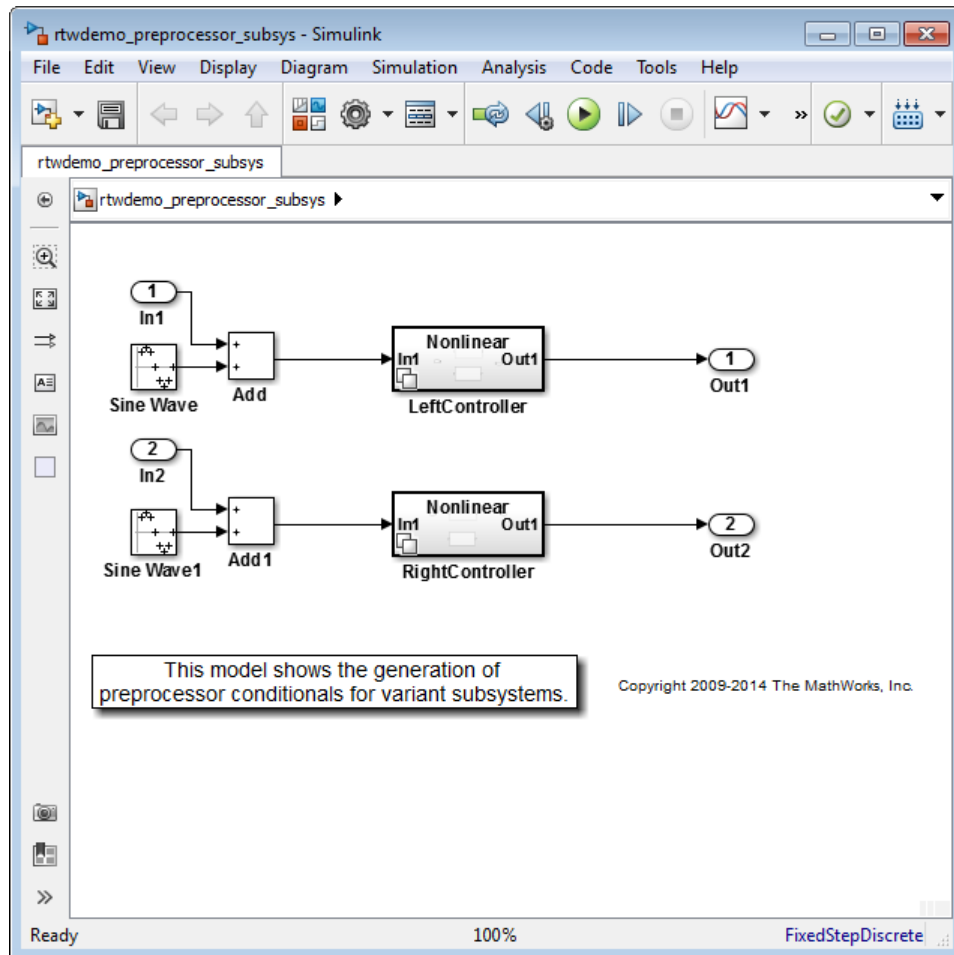
### Step 1: Represent Variant Choices in Simulink

Variant choices are two or more configurations of a component in your model. This example uses the model `rtwdemo_preprocessor_subsys` to illustrate how to represent

variant choices inside Variant Subsystem blocks. For other ways to represent variant choices, see “Options for Representing Variants in Simulink” (Simulink).

- 1 Open the model `rtwdemo_preprocessor_subsys`.

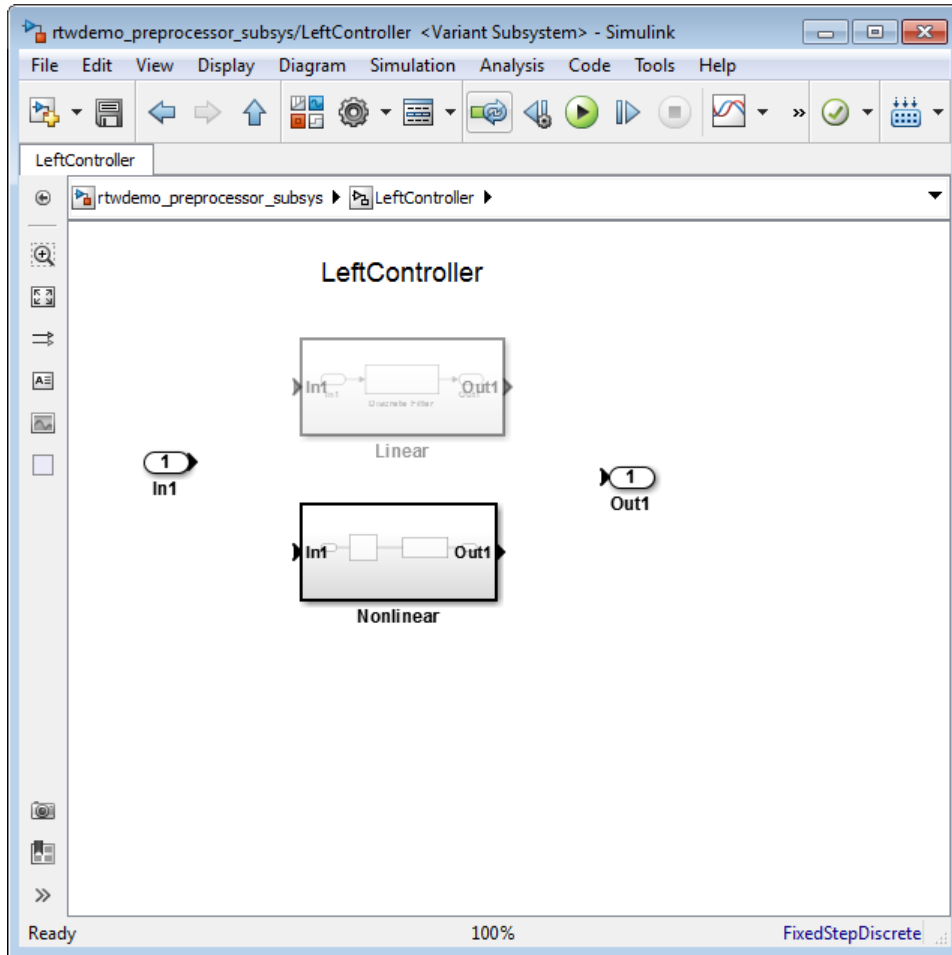
```
open_system('rtwdemo_preprocessor_subsys')
```



The model contains two Variant Subsystem blocks: **LeftController** and **RightController**.

**Note:** You can only add Inport, Output, Subsystem, and Model blocks inside a Variant Subsystem block.

- 2 Open the **LeftController** block.



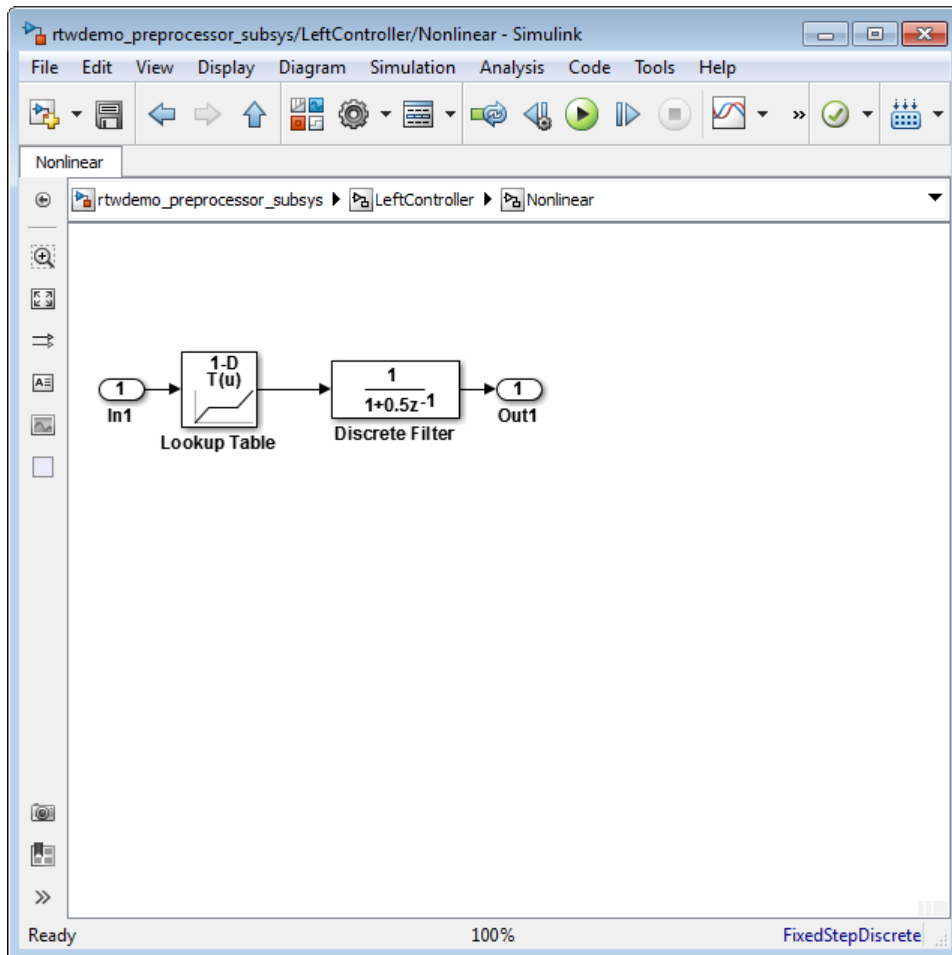
The **LeftController** block serves as the container for the variant choices. It contains two variant choices represented using **Subsystem** blocks **Nonlinear** and **Linear**.

The nonlinear controller subsystems implement hysteresis, whereas the linear controller subsystems act as simple low-pass filters.

The `Subsystem` blocks have the same number of inports and outports as the containing Variant Subsystem block.

Variant choices can have different numbers of inports and outports. See “Mapping Inports and Outports of Variant Choices” (Simulink).

**3** Open the **Nonlinear** block.



The **Nonlinear** block represents one variant choice that Simulink activates when a condition is satisfied. The **Linear** block represents another variant choice.

---

**Tip** When you are prototyping variant choices, you can create empty **Subsystem** blocks with no inputs or outputs inside a **Variant Subsystem** block. The empty subsystem recreates the situation in which that subsystem is inactive without the need for completely modeling the variant choice.

---

### Step 2: Specify Conditions That Control Variant Choice Selection

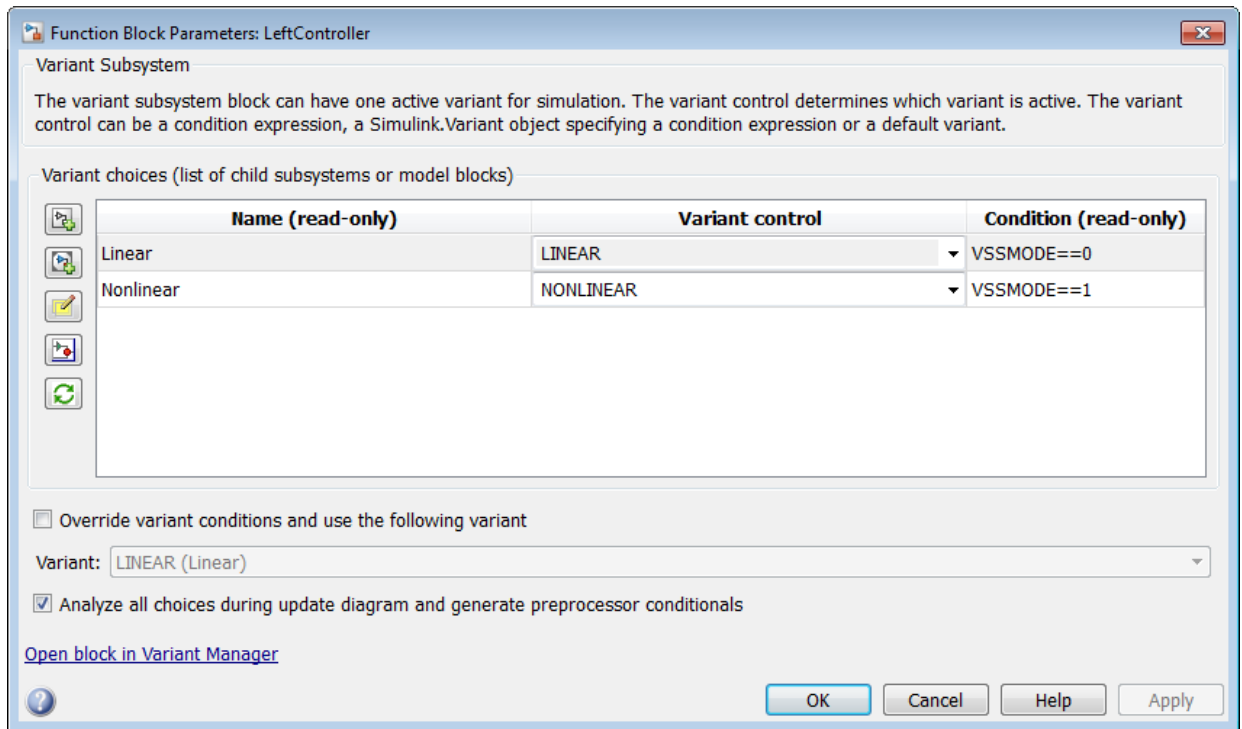
You can switch between variant choices by constructing conditional expressions called variant controls for each variant choice represented in a **Variant Subsystem** block. Variant controls determine which variant choice is active, and changing the value of a variant control causes the active variant choice to switch.

A variant control is a Boolean expression that activates a specific variant choice when it evaluates to **true**.

For more information, see “Switch Between Variant Choices” (Simulink).

- 1 Right-click the **LeftController** block and select **Block Parameters (Subsystem)**.





The **Condition** column displays the Boolean expression that when true activates each variant choice. In this example, these conditions are specified using `Simulink.Variant` objects `LINEAR` and `NONLINEAR`.

- Use these commands to specify a variant control using a `Simulink.Variant` object.

```
LINEAR = Simulink.Variant;
LINEAR.Condition = 'VSSMODE==0';
NONLINEAR = Simulink.Variant;
NONLINEAR.Condition = 'VSSMODE==1';
```

Here, `VSSMODE` is called a variant control variable that can be specified in one of the ways listed in “Approaches for Specifying Variant Controls” (Simulink).

- Define the variant control variable `VSSMODE`.

You can define VSSMODE as a scalar variable. However, to generate code, specify variant control variables as `Simulink.Parameter` objects. In addition to enabling the specification of parameter value, `Simulink.Parameter` objects allow you to specify other attributes such as data type that are required for generating code.

```
VSSMODE = Simulink.Parameter;  
VSSMODE.Value = 1;  
VSSMODE.DataType = 'int32';  
VSSMODE.CoderInfo.StorageClass = 'Custom';  
VSSMODE.CoderInfo.CustomStorageClass = 'ImportedDefine';  
VSSMODE.CoderInfo.CustomAttributes.HeaderFile = 'rtwdemo_importedmacros.h';
```

Variant control variables defined as `Simulink.Parameter` objects can have one of these storage classes.

- Define or ImportedDefine with header file specified
- CompilerFlag
- SystemConstant (AUTOSAR)
- Your own custom storage class that defines data as a macro

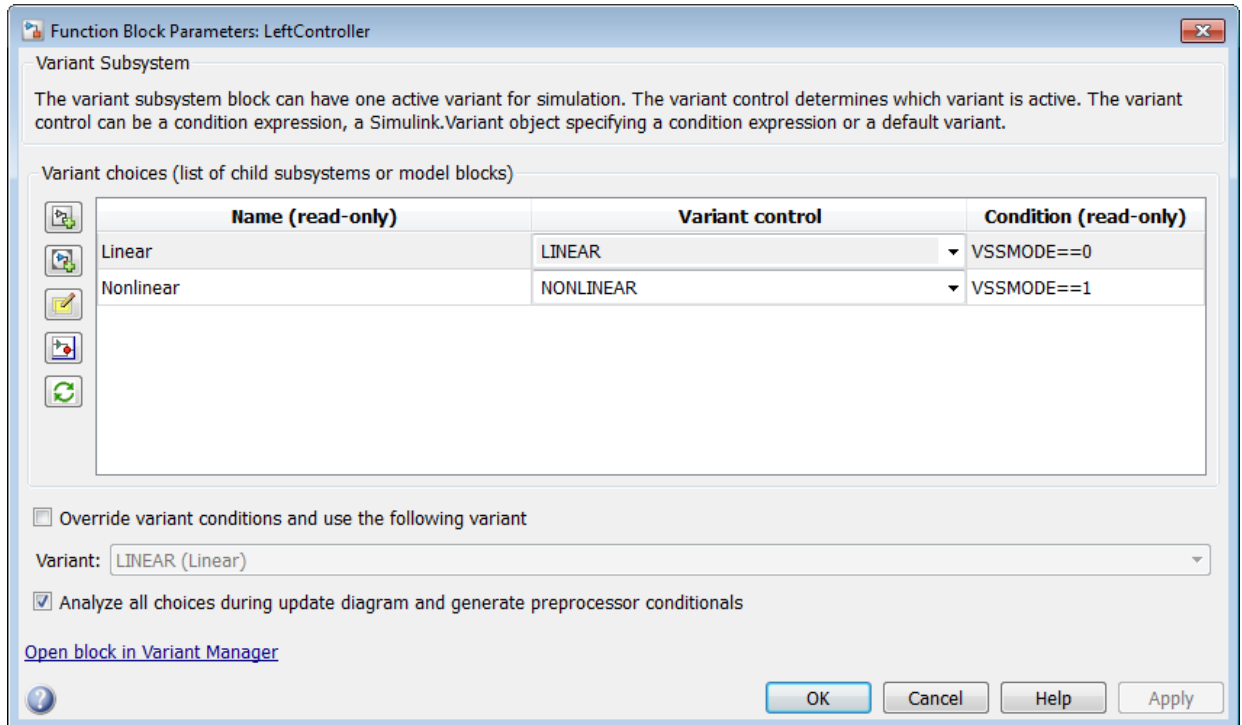
You can also convert a scalar variant control variable into a `Simulink.Parameter` object. See “Convert Variant Control Variables into `Simulink.Parameter` Objects” (`Simulink`).

### Step 3: Configure Model for Generating Preprocessor Conditionals

Code generated for each variant choice is enclosed within C preprocessor conditionals `#if`, `#else`, `#elif`, and `#endif`. Therefore, the active variant is selected at compile time and the preprocessor conditionals determine which sections of the code to execute.

- 1 In the Simulink editor, select **Simulation > Model Configuration Parameters**.
- 2 Select the **Code Generation** pane, and set **System target file** to `ert.tlc`.
- 3 In the **Report** pane, select **Create code generation report**.
- 4 On the **All Parameters** tab of the Configuration Parameters dialog box, clear **Ignore custom storage classes** and click **Apply**.
- 5 In your model, right-click the **LeftController** block and select **Block Parameters (Subsystem)**.

- 6 Select the option **Analyze all choices during update diagram and generate preprocessor conditionals**.



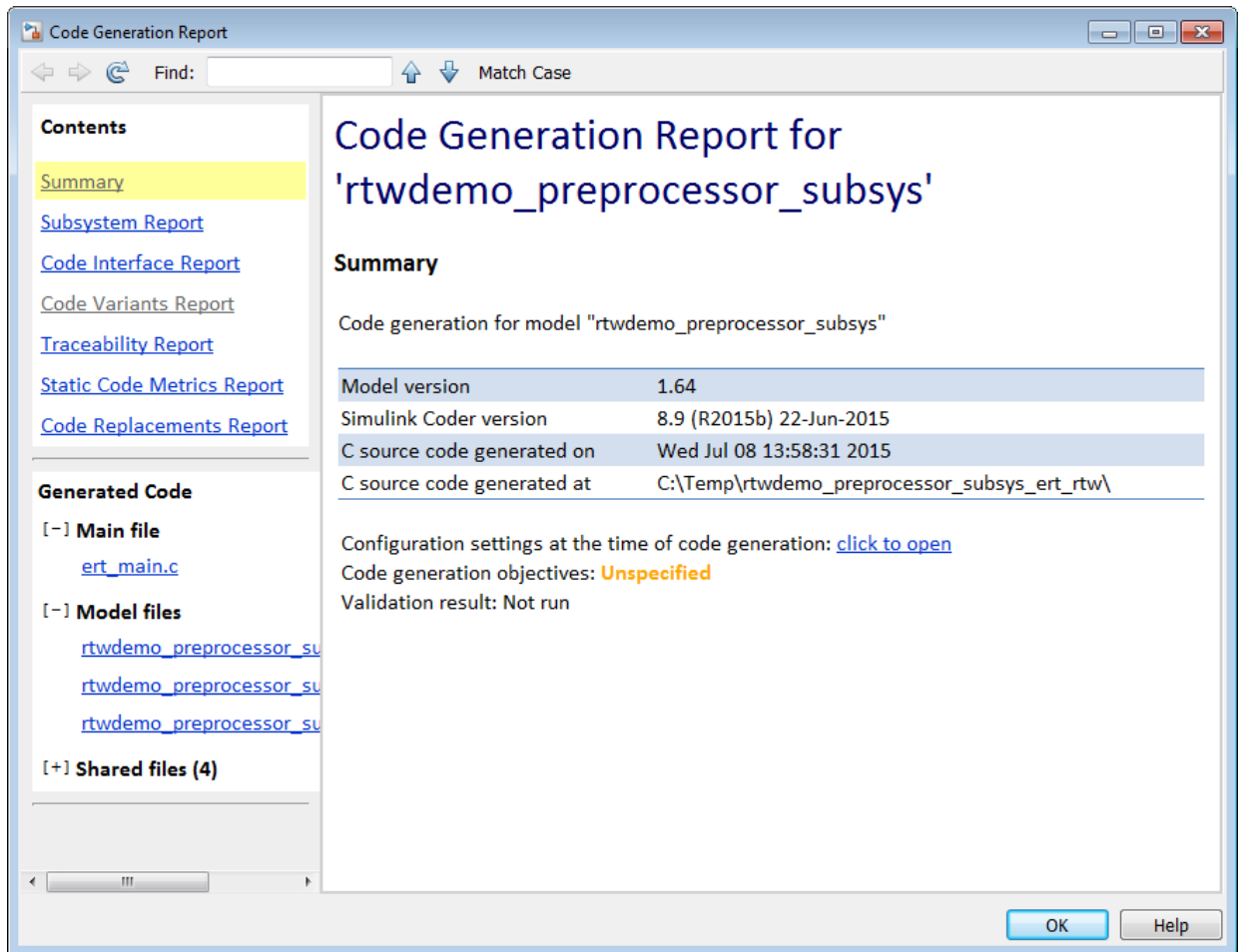
When you select this option, Simulink analyzes all variant choices during an update diagram or simulation. This analysis provides early validation of the code generation readiness of all variant choices.

- 7 Clear the option **Override variant conditions and use following variant**.
- 8 Build the model.

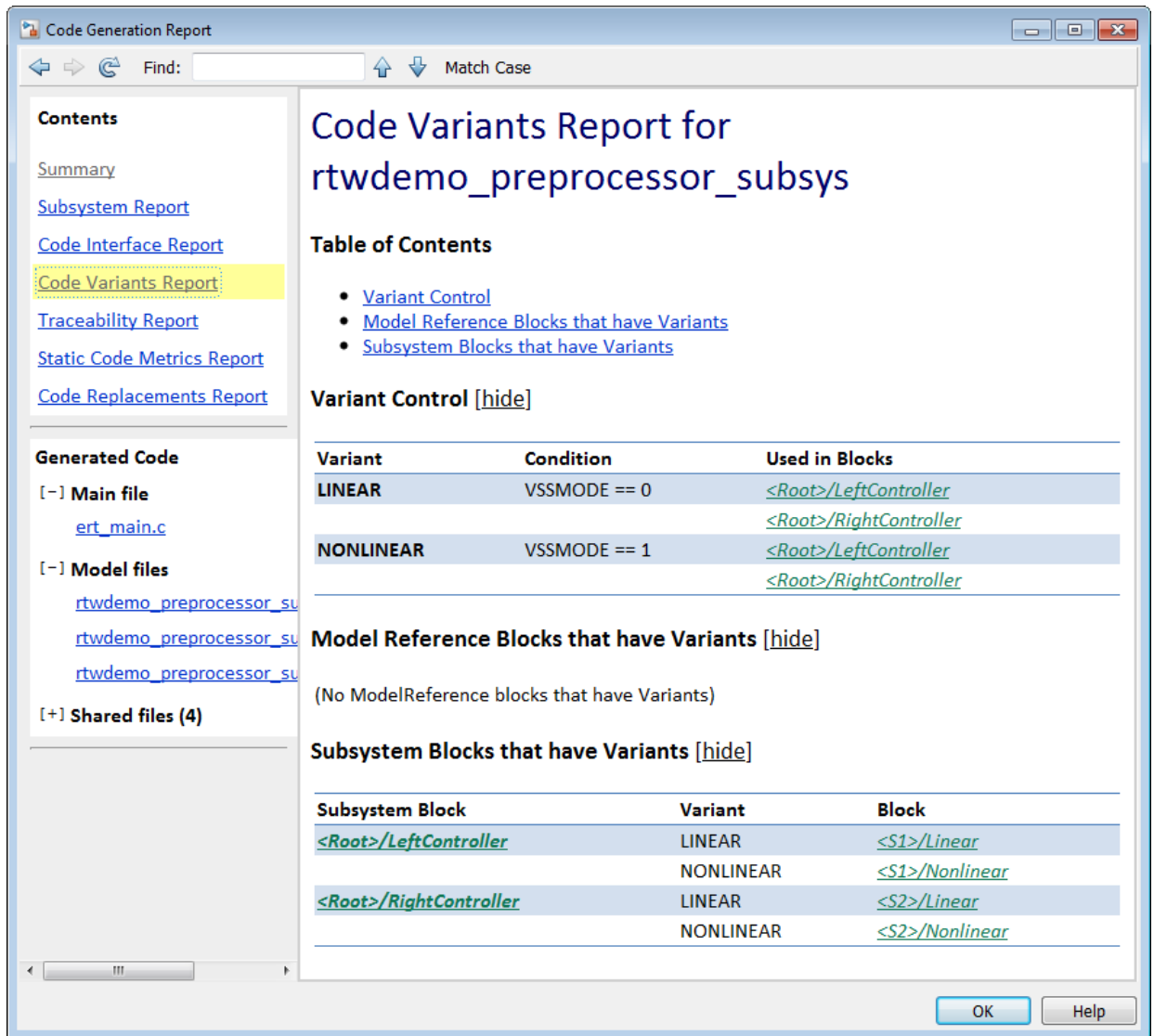
## Step 4: Review Generated Code

The Simulink Coder code generation report contains a section dedicated to the subsystems that have variants controlled by preprocessor conditionals.

- 1 To open the Code Generation Report click **Code > C/C++ Code > Code Generation Report > Open Model Report**.



2 Select the **Code Variant Report** from the left.



In this example, the generated code includes references to the `Simulink.Variant` objects `LINEAR` and `NONLINEAR`. The code also includes the definitions of macros corresponding to those variants. The definitions depend on the value of `VSSMODE`,

which is supplied in an external header file `rtwdemo_importedmacros.h`. The active variant is determined by using preprocessor conditionals (`#if`) on the macros (`#define`) `LINEAR` and `NONLINEAR`.

- 3 Select the `rtwdemo_preprocessor_subsys_types.h` file from the left.

This file contains the definitions of macros `LINEAR` and `NONLINEAR`.

```
#ifndef LINEAR
#define LINEAR      (VSSMODE == 0)
#endif

#ifndef NONLINEAR
#define NONLINEAR   (VSSMODE == 1)
#endif
```

- 4 Select the `rtwdemo_preprocessor_subsys.c` file from the left.

In this file, calls to the step and initialization functions of each variant are conditionally compiled.

```
/* Outputs for Atomic SubSystem: '<Root>/LeftController' */
#if LINEAR
/* Output and update for atomic system: '<S1>/Linear' */
...
#elif NONLINEAR
/* Output and update for atomic system: '<S1>/Nonlinear' */
...
#endif
```

### Limitations

- When you are generating code for `Model Variants` blocks and `Variant Subsystem` blocks, the blocks cannot have:
  - Mass matrices
  - Function call ports
  - Outports with constant sample time
  - Simscape blocks
- The `Model Variants` block and its referenced models must have the same number of inports and outports.

- The port numbers and names for each active child subsystem must belong to a subset of the port numbers and names of the parent Variant Subsystem block.

## **Related Examples**

- “Define, Configure, and Activate Variants”

## **More About**

- “What Are Variants and When to Use Them”
- “Switch Between Variant Choices”

## Generate Preprocessor Conditionals for Subsystem and Model Variants

### In this section...

“Define Variant Controls” on page 4-30

“Configure Model for Generating Preprocessor Conditional Directives” on page 4-32

“Build Your Model” on page 4-32

“Special Considerations for Generating Preprocessor Conditionals” on page 4-32

### Define Variant Controls

To learn about variant controls, see “Create, Export, and Reuse Variant Controls” in the Simulink documentation. Perform the following steps to define variant controls for generating code.

- 1 Open the Model Explorer and select the **Base Workspace** node.
- 2 A variant control can be a condition expression, a `Simulink.Variant` class object specifying a condition expression or a `Simulink.Parameter` object. In the Model Explorer, select **Add > Simulink Parameter**. Specify a name for the new parameter.
- 3 Use the function `Simulink.VariantManager.findVariantControlVars` to find and convert MATLAB variables used in variant control expressions into `Simulink.Parameter` objects. For an example, see “Convert Variant Control Variables into Simulink.Parameter Objects”.
- 4 On the `Simulink.Parameter` property dialog box, specify the **Value** and **Data type**.
- 5 Select one of these **Storage class** values.
  - Define
  - `ImportedDefine(Custom)`
  - `CompilerFlag(Custom)`
  - A storage class created using the Custom Storage Class Designer. Your storage class must have the **Data initialization** parameter set to `Macro` and the **Data scope** parameter set to `Imported`. See “Use Custom Storage Class Designer” on page 10-10 for more information.



- 6 Specify the value of the variant control. If the storage class is `ImportedDefine(Custom)`, do the following:
  - a Specify the **Header File** parameter as an external header file in the Custom Attributes section of the `Simulink.Parameter` property dialog box.
  - b Enter the values of the variant controls in the external header file.

---

**Note:** The generated code refers to a variant control as a user-defined macro. The generated code does not contain the value of the macro. The value of the variant control determines the active variant in the compiled code.

If the variant control is a `CompilerFlag` custom storage class, the value of the variant control is set at compile time. Use the **Configuration Parameters > Code Generation > Custom Code > Additional Build Information > Defines** parameter to add a list of variant controls (macro definitions) to the compiler command line. For example, for variant control `VSSMODE`, in the text field for the **Defines** parameter, enter:

```
-DVSSMODE=1
```

If you want to modify the value of the variant control after generating a makefile, use a makefile option when compiling your code. For example, at a command line outside of MATLAB, enter:

```
makecommand -f model.mk DEFINES_CUSTOM="-DVSSMODE=1"
```

- 7 Follow the instructions in “Configure Model for Generating Preprocessor Conditional Directives” on page 4-32 to implement variant objects for code generation. Check that only one variant object is active in the generated code by implementing the condition expressions of the variant objects such that only one evaluates to `true`. The generated code includes a test of the variant objects to determine that there is only one active variant. If this test fails, your code will not compile.

---

**Note:** You can define the variant controls using `Simulink.Parameter` object of enumerated type. This approach provides meaningful names and improves the readability of the conditions. The generated code includes preprocessor conditionals to check that the variant condition contains valid values of the enumerated type.

---

## Configure Model for Generating Preprocessor Conditional Directives

- 1 Open the Configuration Parameters dialog box.
- 2 Select the **Code Generation** pane, and set **System target file** as `ert.tlc`.
- 3 In the **Report** pane, select **Create code generation report**.
- 4 On the **All Parameters** tab, clear “Ignore custom storage classes”. In order to generate preprocessor conditionals, you must use custom storage classes.
- 5 In the Model Variants block parameter dialog box, select the **Generate preprocessor conditionals** parameter option. In the Variant Subsystem, Variant Source, or Variant Sink block parameter dialog boxes, select the **Analyze all choices during update diagram and generate preprocessor conditionals** option.
- 6 In both cases, clear the option to **Override variant conditions and use following variant**.

## Build Your Model

After configuring your model to generate code, build your model.

## Special Considerations for Generating Preprocessor Conditionals

- The code generation process checks that the inports and outports of a **Model Variants** block are identical (same port numbers and names) to the corresponding inports and outports of its variants. The build process for simulation does not make this check. Therefore, if your variant block contains mismatched inports or outports, the code generation process issues an error.
- The port numbers and names for each child variant subsystem must belong to a subset of the port numbers and names of the parent Variant Subsystem block.
- The code generation process checks that there is at least one active variant by using the variant control values stored in the base workspace. The variant control that evaluates to **true** becomes the active variant. If none of the variant controls evaluates to **true**, the default variant, if specified, becomes the active variant. The code generation process issues an error if an active variant does not exist.
- If you comment out child subsystems listed in the **Variant Choices** table in the Variant Subsystem block parameter dialog box, the code generator does not generate code for the commented out subsystems.

- If the sample time for a default variant differs from that of the other variant choices, the `#else` preprocessor conditional is not generated for the default variant. Instead, an `#if !(<variant conditions>)` is generated.

## Represent Variant Source and Sink Blocks in Generated Code

<b>In this section...</b>
“Represent Variant Source and Variant Sink blocks in Simulink” on page 4-34
“Specify Conditions That Control Variant Choice Selection” on page 4-39
“Review the Generated Code” on page 4-39
“Generate Code with Zero Active Variant Controls” on page 4-41
“State Logging Limitation” on page 4-42

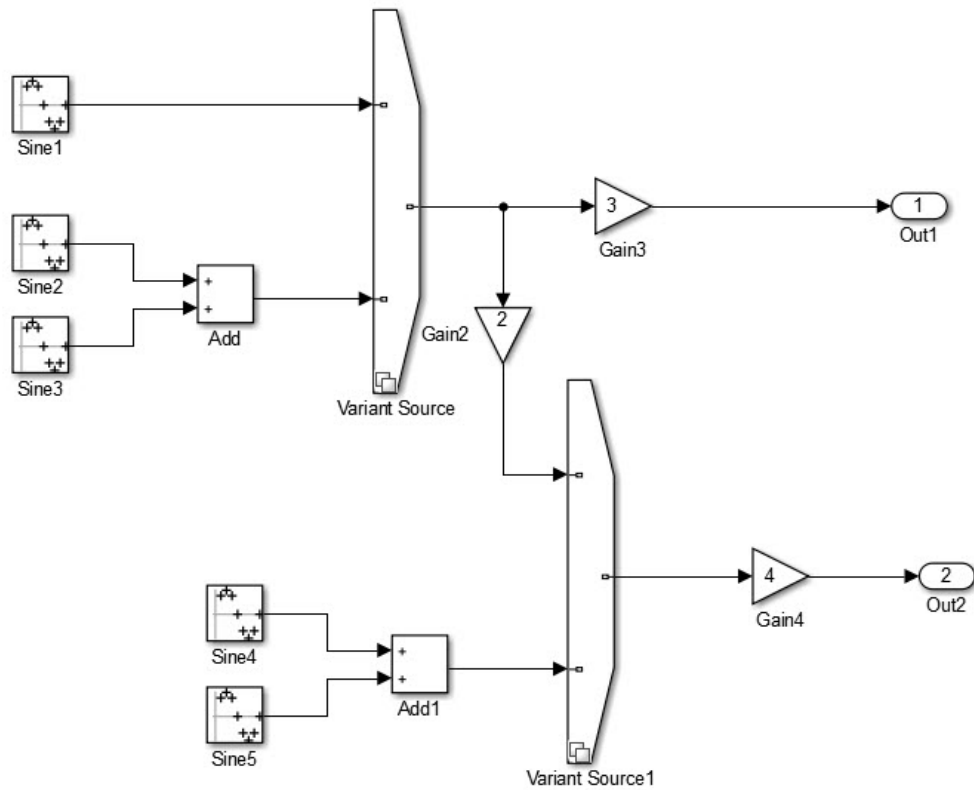
You can use **Variant Source** and **Variant Sink** blocks to perceive multiple implementations of a model in a single, unified block diagram. Each implementation depends on conditions that you set for **Variant Source** and **Variant Sink** blocks. Simulink propagates these conditions to upstream and downstream blocks including root input and root output ports.

You can generate code from a Simulink model containing **Variant Sink** and **Variant Source** blocks. Using Embedded Coder, you can generate code that contains preprocessor conditionals that control the activation of each variant choice. You can also generate preprocessor conditionals that allow for no active variant choice.

### Represent Variant Source and Variant Sink blocks in Simulink

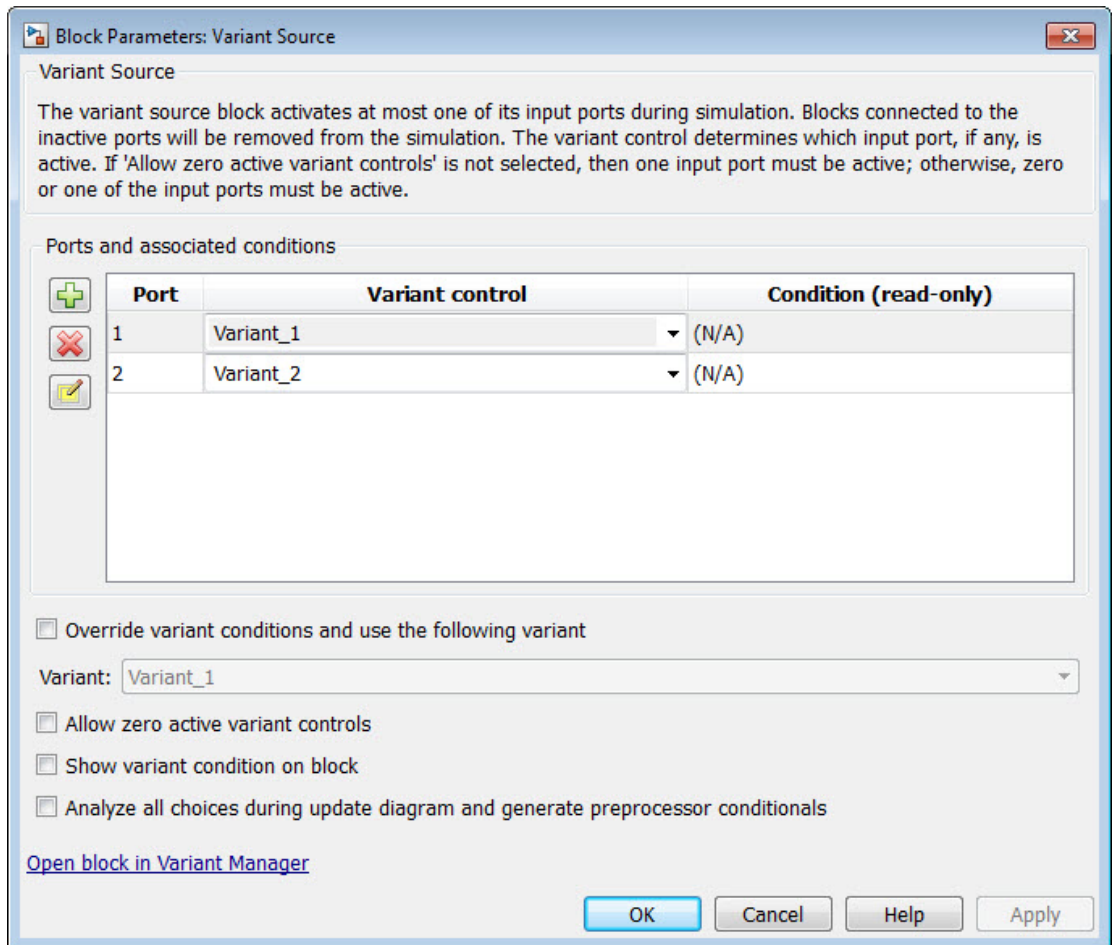
This example shows how **Variant Source** blocks make model elements conditional.

- 1 From the Simulink Block Library, add 1 **Sine Wave Function** block, two **Add** blocks, three **Gain** blocks, two **Outports**, and two **Variant Source** blocks into a new model.
- 2 Open the **Sine Wave Function** block. For the **Sine type** parameter, select **Sample based**. For the **Time (t)** parameter, select **Use simulation time**. For the **Sample time** parameter, insert a value of **0.2**.
- 3 Make four copies of the **Sine Wave Function** block.
- 4 Connect and name the blocks as shown.



Copyright 2015 The MathWorks Inc.  
MathWorks Confidential

- 5 Insert values of 2, 3, and 4 in the Gain2, Gain3, and Gain4 blocks, respectively.
- 6 Give the model the name `inline_variants_example`.
- 7 Open the Block Parameters dialog box for Variant Source.



- 8 In the **Variant control** column, for Port 1, replace `Variant_1` with `V==1`. For Port 2, replace `Variant_2` with `V==2`.
- 9 Open the Block Parameters dialog box for `Variant Source1`.
- 10 In the **Variant control** column, replace `Variant_1` with `W==1`. For Port 2, replace `Variant_2` with `W==2`.
- 11 In the MATLAB Command Window, to create `Simulink.Parameters` for the variant control variables `V` and `W`, use these commands:

```
V = Simulink.Parameter;
V.Value = 1;
V.DataType='int32';
V.CoderInfo.StorageClass = 'custom';
V.CoderInfo.CustomStorageClass = 'Define';
V.CoderInfo.CustomAttributes.HeaderFile='inline_importedmacro.h'

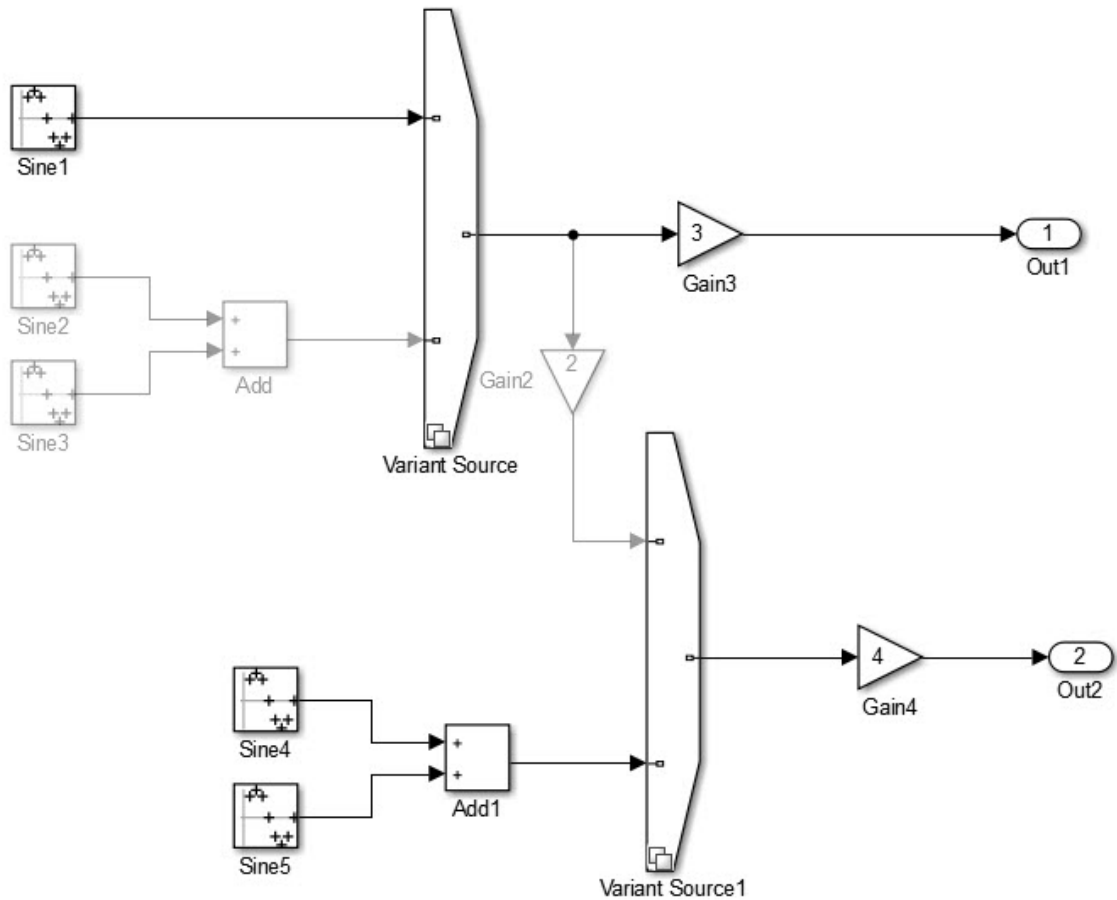
W = Simulink.Parameter;
W.Value = 2;
W.DataType='int32';
W.CoderInfo.StorageClass = 'custom';
W.CoderInfo.CustomStorageClass = 'Define';
W.CoderInfo.CustomAttributes.HeaderFile='inline_importedmacro.h'
```

In this example, the variant control variables are `Simulink.Parameter` objects. For code generation, if you use `Simulink.Variant` objects to specify variant controls, use `Simulink.Parameter` objects to specify their conditions. If you use scalar variant control variables to simulate the model, you can convert those variables into `Simulink.Parameters` objects. See “Convert Variant Control Variables into `Simulink.Parameter` Objects”.

Variant control variables defined as `Simulink.Parameter` objects can have one of these storage classes:

- `Define` with header file specified
- `ImportedDefine` with header file specified
- `CompilerFlag`
- `SystemConstant` (AUTOSAR)
- User-defined custom storage class that defines data as a macro in a specified header file

## 12 Simulate the model.



Copyright 2015 The MathWorks Inc.  
MathWorks Confidential

Input port 1 is the active choice for **Variant Source** because the value of variant control variable *V* is 1. Input port 2 is the active choice for **Variant Source1** because the value of variant control variable *W* is 2. The inactive choices are removed from execution, and their paths are grayed-out in the diagram.



## Specify Conditions That Control Variant Choice Selection

You can generate code in which each variant choice is enclosed within C preprocessor conditionals `#if` and `#endif`. The compiler chooses the active variant at compile time and the preprocessor conditionals determine which sections of the code to execute.

- 1 In the Simulink editor, select **Simulation > Model Configuration Parameters**.
- 2 Select the **Code Generation** pane, and set **System target file** to `ert.tlc`.
- 3 In the **Report** pane, select **Create code generation report**.
- 4 In your model, open the block parameters dialog box for **Variant Source**.
- 5 Select the **Analyze all choices during update diagram and generate preprocessor conditionals** parameter. During an update diagram or simulation, when you select this parameter, Simulink analyzes all variant choices. This analysis provides early validation of the code generation readiness of all variant choices. During code generation, when you select this parameter, the code generator generates preprocessor conditionals that control the activation of each variant choice.
- 6 Clear the **Override variant conditions and use the following variant** parameter.
- 7 Clear the **Allow zero active variant controls** parameter.
- 8 Open the Block Parameters dialog box for **Variant Source** 1. Repeat steps 5 through 7.
- 9 Build the model. When code generation is complete, the Code Generation Report is displayed.

## Review the Generated Code

- 1 In the code generation report, select the `inline_variants_example.c` file.
- 2 In the `inline_variants_example.c` file, calls to the `inline_variants_example_step` function and the `inline_variants_example_initialize` functions are conditionally compiled as shown:

```
/* Model step function */
void inline_variants_example_step(void)
{
    real_T rtb_Sine4;
    real_T rtb_VariantMerge_For_Variant_So;
```

```

    /* Sin: '<Root>/Sine1' */
    #if V == 1

        rtb_Sine4 = sin((real_T)inline_variants_example_DW.counter * 2.0 *
                       3.1415926535897931 / 10.0);

    #endif

    /* End of Sin: '<Root>/Sine1' */

    /* Sin: '<Root>/Sine2' incorporates:
     * Sin: '<Root>/Sine3'
     * Sum: '<Root>/Add'
     */
    #if V == 2

        rtb_Sine4 = sin((real_T)inline_variants_example_DW.counter_i * 2.0 *
                       3.1415926535897931 / 10.0) + sin((real_T)
                       inline_variants_example_DW.counter_f * 2.0 * 3.1415926535897931 / 10.0);

    #endif

    /* End of Sin: '<Root>/Sine2' */

    /* Outport: '<Root>/Out1' incorporates:
     * Gain: '<Root>/Gain3'
     */
    inline_variants_example_Y.Out1 = 3.0 * rtb_Sine4;

    /* Gain: '<Root>/Gain2' */
    #if W == 1

        rtb_VariantMerge_For_Variant_So = 2.0 * rtb_Sine4;

    #endif

    /* End of Gain: '<Root>/Gain2' */

    /* Sin: '<Root>/Sine4' incorporates:
     * Sin: '<Root>/Sine5'
     * Sum: '<Root>/Add1'
     */
    #if W == 2

```

```

    rtb_VariantMerge_For_Variant_So = sin((real_T)
        inline_variants_example_DW.counter_fe * 2.0 * 3.1415926535897931 / 10.0) *
        2.0 + sin((real_T)inline_variants_example_DW.counter_e * 2.0 *
            3.1415926535897931 / 10.0);

#endif                                     /* W == 2 */

    /* End of Sin: '<Root>/Sine4' */

/* Output: '<Root>/Out2' incorporates:
 * Gain: '<Root>/Gain4'
 */
    inline_variants_example_Y.Out2 = inline_variants_example_P.Gain4_Gain *
        rtb_VariantMerge_For_Variant_So;
...
}

```

The variables `rtb_Sine4` and `rtb_VariantMerge_For_Variant_So` hold the input values to the Variant Source blocks. Notice that the code for these variables is conditional. The variables `inline_variants_example_Y.Out1` and `inline_variants_example_Y.Out2` hold the output values of the Variant Source blocks. Notice that the code for these variables is not conditional.

## Generate Code with Zero Active Variant Controls

You can generate code in which all blocks connected to the input and the output of a Variant Source block are conditional.

- 1 For Variant Source, open the Block Parameters dialog box. Select the parameter **Allow zero active variant controls**.
- 2 For Variant Source 1, open the Block Parameters dialog box. Select the parameter **Allow zero active variant controls**.

When you select **Allow zero active variant controls** parameter, you can generate code for a model containing Variant Source and Variant Sink blocks even when you specify a value for a variant control variable that does not allow for an active variant. Choosing a value for a variant control variable that does not allow for an active variant and not selecting the **Allow zero active variant controls** parameter, produces an error.

Generate code for `inline_variants_example`. Notice in the `inline_variants_example.c` file, that the code for the variables

`inline_variants_example_Y.Out1` and `inline_variants_example_Y.Out2` is conditional.

```
/* Model step function */
void inline_variants_example_step(void)
{
    ...
    #if V == 1 || V == 2

        inline_variants_example_Y.Out1 = 3.0 * rtb_Sine4;

    #endif                                /* V == 1 || V == 2 */

    ...
    #if (V == 1 && W == 1) || (V == 2 && W == 1) || W == 2

        inline_variants_example_Y.Out2 = 4.0 * rtb_VariantMerge_For_Variant_So;

    #endif                                /* (V == 1 && W == 1) || (V == 2 && W == 1) || W == 2 */

    ...
}
```

## State Logging Limitation

For external ports, preprocessor conditionals (`#if` and `#endif`) surround global data variable declarations. Preprocessor conditionals do not surround all other global data variable declarations. For example, preprocessor conditionals do not surround state variable declarations because state variables are part of global data structures.

For models that contain Variant Source blocks or Variant Sink blocks and also contain blocks that maintain state information, such as Unit Delay blocks, the exclusion of preprocessor conditionals surrounding state variable declarations can lead to a mismatch between simulation and code generation results.

For example, suppose that a model has a Variant Source block with four variant choices. One of these choices contains blocks with state information. If you simulate the model with the active variant that is other than the variant choice that contains state information, there is no logged state data. In the `model.h` file, the generated code still initializes these global state variables to 0 because `#if` and `#endif` guards do not surround the state variable declarations. If you create a `model.mat` file from a `model.exe` file, and compare it to the simulation output, the results do not match. For

this example, the simulation output is empty because there is no logged state data. The *model.mat* file contains multiple values of 0.

If the active variant is the variant choice containing state information, the results do not match.

### **Related Examples**

- “Variant Condition Propagation with Variant Sources and Sinks”
- “Switch Between Variant Choices”

## Configure Dimension Variants for S-Function Blocks

To configure symbolic dimensions for S-function blocks, you can use the following C/C++ functions. You can configure S-functions to support forward propagation, backward propagation, or forward and backward propagation of symbolic dimensions during simulation.

Many of these functions return the variable `SymbDimsId`. A `SymbDimsId` is a unique integer value. This value corresponds to each symbolic dimension specification that you create or is the result of any mathematical operation that you perform with symbolic dimensions.

C/C++ S-Functions	Purpose
<code>ssSetSymbolicDimsSupport</code>	Specify whether or not an S-function supports symbolic dimensions.
<code>mdlSetInputPortSymbolicDimensions</code>	Specify the symbolic dimensions of an input port and how those dimensions propagate forward.
<code>mdlSetOutputPortSymbolicDimensions</code>	Specify the symbolic dimensions of an output port and how those dimensions propagate backward.
<code>ssRegisterSymbolicDimsExpr</code>	Create a <code>SymbDimsId</code> from an expression string ( <code>aExpr</code> ). The expression string must form a valid syntax in C.
<code>ssRegisterSymbolicDims</code>	Create a <code>SymbDimsId</code> from a vector of <code>SymbDimsIds</code> .
<code>ssRegisterSymbolicDimsString</code>	Create a <code>SymbDimsId</code> from an identifier string ( <code>aString</code> ).
<code>ssRegisterSymbolicDimsIntValue</code>	Create a <code>SymbDimsId</code> from an integer value ( <code>aIntValue</code> )
<code>ssRegisterSymbolicDimsPlus</code>	Create a <code>SymbDimsId</code> by adding two symbolic dimensions.
<code>ssRegisterSymbolicDimsMinus</code>	Create a <code>SymbDimsId</code> by subtracting two symbolic dimensions.

<b>C/C++ S-Functions</b>	<b>Purpose</b>
ssRegisterSymbolicDimsMultiply	Create a <code>SymbDimsId</code> by multiplying two symbolic dimensions.
ssRegisterSymbolicDimsDivide	Create a <code>SymbDimsId</code> by dividing two symbolic dimensions.
ssGetNumSymbolicDims	Get the number of dimensions for a <code>SymbDimsId</code> .
ssGetSymbolicDim	Get a <code>SymbDimsId</code> from a vector of <code>SymbDimsIds</code> .
ssSetInputPortSymbolicDimsId	Set the precompiled <code>SymbDimsId</code> of an input port. You can call this function from inside the <code>mdlInitializeSizes</code> function.
ssGetCompInputPortSymbolicDimsId	Get the compiled <code>SymbDimsId</code> of an input port.
ssSetCompInputPortSymbolicDimsId	Set the compiled <code>SymbDimsId</code> of an input port.
ssSetOutputPortSymbolicDimsId	Set the precompiled <code>SymbDimsId</code> of an output port. You can call this function from inside the <code>mdlInitializeSizes</code> function.
ssGetCompOutputPortSymbolicDimsId	Get the compiled <code>SymbDimsId</code> of an output port.
ssSetCompOutputPortSymbolicDimsId	Set the compiled <code>SymbDimsId</code> of an output port.
ssSetCompDWorkSymbolicDimsId	Set the compiled <code>SymbDimsId</code> of an index of a block's data type work ( <code>DWork</code> ) vector.

## S-Function That Supports Forward Propagation of Symbolic Dimensions

This S-function subtracts the symbolic dimension `B` from a symbolic input dimension. It does not support backward propagation of symbolic dimensions because the compiled symbolic dimensions of the `input port` are not set. Symbolic dimensions are set for the `output port`, so forward propagation occurs.

```
static void mdlInitializeSizes(SimStruct *S)
{
    // Enable symbolic dimensions for the s-function.
    ssSetSymbolicDimsSupport(S, true);
}

#if defined(MATLAB_MEX_FILE)
#define MDL_SET_INPUT_PORT_SYMBOLIC_DIMENSIONS
static void mdlSetInputPortSymbolicDimensions(SimStruct* S,
    int_T portIndex, SymbDimsId symbDimsId)
{
    assert(0 == portIndex);
    // Set the compiled input symbolic dimension.
    ssSetCompInputPortSymbolicDimsId(S, portIndex, symbDimsId);
    // Register "B" and get its symbolic dimensions id.
    const SymbDimsId symbolIdForB = ssRegisterSymbolicDimsString(S, "B");
    // Subtract "B" from the input symbolic dimension.
    const SymbDimsId outputDimsId =
        ssRegisterSymbolicDimsMinus(S, symbDimsId, symbolIdForB);
    //Set the resulting symbolic dimensions id as the output.
    ssSetCompOutputPortSymbolicDimsId(S, portIndex, outputDimsId);
}
#endif

#if defined(MATLAB_MEX_FILE)
#define MDL_SET_OUTPUT_PORT_SYMBOLIC_DIMENSIONS
static void mdlSetOutputPortSymbolicDimensions(SimStruct *S,
    int_T portIndex, SymbDimsId symbDimsId)
{
    assert(0 == portIndex);
    // The input dimensions are not set, so this S-function only
    // supports forward propagation.
    ssSetCompOutputPortSymbolicDimsId(S, portIndex, symbDimsId);
}
#endif
```

## S-Function That Supports Forward and Backward Propagation of Symbolic Dimensions

This S-function transposes two symbolic dimensions. It supports forward and backward propagation of symbolic dimensions because the compiled symbolic dimension of both the input and output ports are set.



```
static void mdlInitializeSizes(SimStruct *S)
{
    // Enable symbolic dimensions for the s-function.
    ssSetSymbolicDimsSupport(S, true);
}

#if defined(MATLAB_MEX_FILE)
#define MDL_SET_INPUT_PORT_SYMBOLIC_DIMENSIONS
static void mdlSetInputPortSymbolicDimensions(SimStruct* S,
    int_T portIndex, SymbDimsId symbDimsId)
{
    assert(0 == portIndex);

    ssSetCompInputPortSymbolicDimsId(S, portIndex, symbDimsId);

    assert(2U == ssGetNumSymbolicDims(S, symbDimsId));

    if (SL_INHERIT ==
        ssGetCompOutputPortSymbolicDimsId(S, portIndex)) {

        const SymbDimsId idVec[] = {
            ssGetSymbolicDim(S, symbDimsId, 1),
            ssGetSymbolicDim(S, symbDimsId, 0)};
        // Register the transposed dimensions.
        // Set the output symbolic dimension to the resulting id.
        const SymbDimsId outputDimsId =
            ssRegisterSymbolicDims(S, idVec, 2U);

        ssSetCompOutputPortSymbolicDimsId(S, portIndex,
            outputDimsId);
    }
}
#endif

#if defined(MATLAB_MEX_FILE)
#define MDL_SET_OUTPUT_PORT_SYMBOLIC_DIMENSIONS
static void mdlSetOutputPortSymbolicDimensions(SimStruct *S,
    int_T portIndex, SymbDimsId symbDimsId)
{
    assert(0 == portIndex);
    ssSetCompOutputPortSymbolicDimsId(S, portIndex, symbDimsId);

    assert(2U == ssGetNumSymbolicDims(S, symbDimsId));
}
```

```
if (SL_INHERIT ==
    ssGetCompInputPortSymbolicDimsId(S, portIndex)) {

    const SymbDimsId idVec[] = {
        ssGetSymbolicDim(S, symbDimsId, 1),
        ssGetSymbolicDim(S, symbDimsId, 0)};
    const SymbDimsId inputDimsId =
        ssRegisterSymbolicDims(S, idVec, 2U);
    // Register the transposed dimensions.
    // Set the input symbolic dimension to the resulting id.
    ssSetCompInputPortSymbolicDimsId(S, portIndex, inputDimsId);
}
}
#endif
```

# Scheduling Considerations

---

- “Use Discrete and Continuous Time” on page 5-2
- “Optimize Multirate Multitasking Operation on RTOS Targets” on page 5-4
- “Profile Real-Time Task Execution Using IDE Link Component” on page 5-7

## Use Discrete and Continuous Time

In this section...
“Support for Discrete and Continuous Time Blocks” on page 5-2
“Support for Continuous Solvers” on page 5-2
“Support for Stop Time” on page 5-2

### Support for Discrete and Continuous Time Blocks

The ERT target supports code generation for discrete and continuous time blocks. If the **Support continuous time** option is selected, you can use these blocks in your models, without restriction.

Note that use of certain blocks is not recommended for production code generation for embedded systems. The Simulink Block Data Type Support table summarizes characteristics of blocks in the Simulink and Fixed-Point Designer block libraries, including whether or not they are recommended for use in production code generation. To view this table, execute the following command and see the “Code Generation Support” column of the table that appears:

```
showblockdatatypetable
```

### Support for Continuous Solvers

The ERT target supports continuous solvers. In the **Solver** options dialog, you can select an available solver in the **Solver** menu. (Note that the solver **Type** must be **fixed-step** for use with the ERT target.)

---

**Note** Custom targets must be modified to support continuous time. The required modifications are described in “Custom Targets” in the Simulink Coder documentation.

---

### Support for Stop Time

The ERT target supports the stop time for a model. When generating host-based executables, the stop time value is honored if one of the following is true:

- **Classic call interface** is selected on the **Interface** pane

- **External mode** is selected in the **Data exchange** subpane of the **Interface** pane
- **MAT-file logging** is selected on the **All Parameters** tab

Otherwise, the executable runs indefinitely.

---

**Note:** The ERT target provides both generated and static examples of the `ert_main.c` file. The `ert_main.c` file controls the overall model code execution by calling the `model_step` function and optionally checking the `ErrorStatus/StopRequested` flags to terminate execution. For a custom target, if you provide your own custom static `main.c`, you should consider including support for checking these flags.

---

## Optimize Multirate Multitasking Operation on RTOS Targets

Using the `rtmStepTask` macro, targets that employ the task management mechanisms of an example RTOS (VxWorks®) can eliminate certain redundant scheduling calls during the execution of tasks in a multirate, multitasking model, thereby improving performance of the generated code. The following sections describe implementation details.

### In this section...

“Use `rtmStepTask`” on page 5-4

“Schedule Code for Real-time Model without an RTOS” on page 5-4

“Schedule Code for Multirate Multitasking on an RTOS” on page 5-5

“Suppress Redundant Scheduling Calls” on page 5-6

### Use `rtmStepTask`

The `rtmStepTask` macro is defined in `model.h` and its syntax is as follows:

```
boolean task_ready = rtmStepTask(rtm, idx);
```

The arguments are:

- `rtm`: pointer to the real-time model structure (`rtM`)
- `idx`: task identifier (`tid`) of the task whose scheduling counter is to be tested

`rtmStepTask` returns `TRUE` if the task's scheduling counter equals zero, indicating that the task should be scheduled for execution on the current time step. Otherwise, it returns `FALSE`.

If your target supports the **Generate an example main program** parameter, you can generate calls to `rtmStepTask` using the TLC function `RTMTaskRunsThisBaseStep`.

### Schedule Code for Real-time Model without an RTOS

To understand the optimization that is available for an RTOS target, consider how the ERT target schedules tasks for bareboard targets (where RTOS is not present). The ERT target maintains *scheduling counters* and *event flags* for each subrate task. The

scheduling counters are implemented within the real-time model (rtM) data structure as arrays, indexed on task identifier (`tid`).

The scheduling counters are updated by the base-rate task. The counters are clock rate dividers that count up the sample period associated with each subrate task. When a given subrate counter reaches a value that indicates it has a hit, the sample period for that rate has elapsed and the counter is reset to zero. When this occurs, the subrate task must be scheduled for execution.

The event flags indicate whether or not a given task is scheduled for execution. For a multirate, multitasking model, the event flags are maintained by code in the main program for the model. For each task, the code maintains a task counter. When the counter reaches 0, indicating that the task's sample period has elapsed, the event flag for that task is set.

On each time step, the counters and event flags are updated and the base-rate task executes. Then, the scheduling flags are checked in `tid` order, and tasks whose event flag is set is executed. Therefore, tasks are executed in order of priority.

For bareboard targets that cannot rely on an external RTOS, the event flags are mandatory to allow overlapping task preemption. However, an RTOS target uses the operating system itself to manage overlapping task preemption, making the maintenance of the event flags redundant.

## Schedule Code for Multirate Multitasking on an RTOS

The following task scheduling code, from `ertmainlib.tlc`, is designed for multirate multitasking operation on an example RTOS (VxWorks) target. The example uses the TLC function `RTMTaskRunsThisBaseStep` to generate calls to the `rtmStepTask` macro. A loop iterates over each subrate task, and `rtmStepTask` is called for each task. If `rtmStepTask` returns `TRUE`, the RTOS `semGive` function is called, and the RTOS schedules the task to run.

```
%assign ifarg = RTMTaskRunsThisBaseStep("i")
for (i = 1; i < %<FcnNumST>; i++) {
    if (%<ifarg>) {
        semGive(taskSemList[i]);
        if (semTake(taskSemList[i],NO_WAIT) != ERROR) {
            logMsg("Rate for SubRate task %d is too fast.\n",i,0,0,0,0,0);
            semGive(taskSemList[i]);
        }
    }
}
```

### Suppress Redundant Scheduling Calls

Redundant scheduling calls are still generated by default for backward compatibility. To change this setting and suppress them, add the following TLC variable definition to your system target file before the `%include "codegenentry.tlc"` statement:

```
%assign SuppressSetEventsForThisBaseRateFcn = 1
```



## Profile Real-Time Task Execution Using IDE Link Component

This model shows real-time task execution profiling feature using IDE Link component.

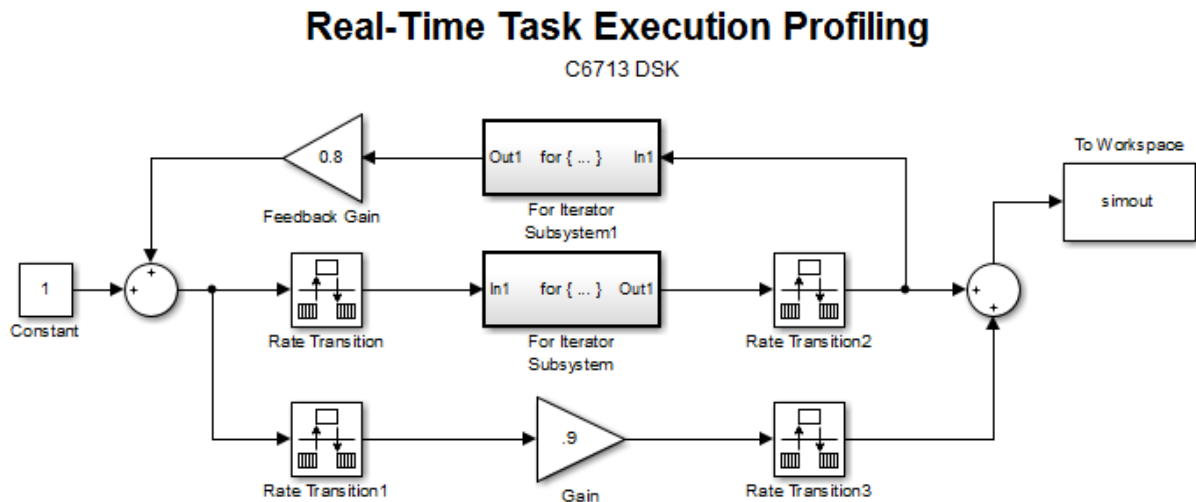
Available versions of this model:

- Spectrum Digital C6713 DSK: c6713profiler
- Spectrum Digital C2808 DSK: c2808profiler
- Spectrum Digital C2812 DSK: c2812profiler
- Spectrum Digital C5510 DSK: c5510profiler

### Model

The following figure shows the example model:

```
close
open_system('c6713profiler');
```

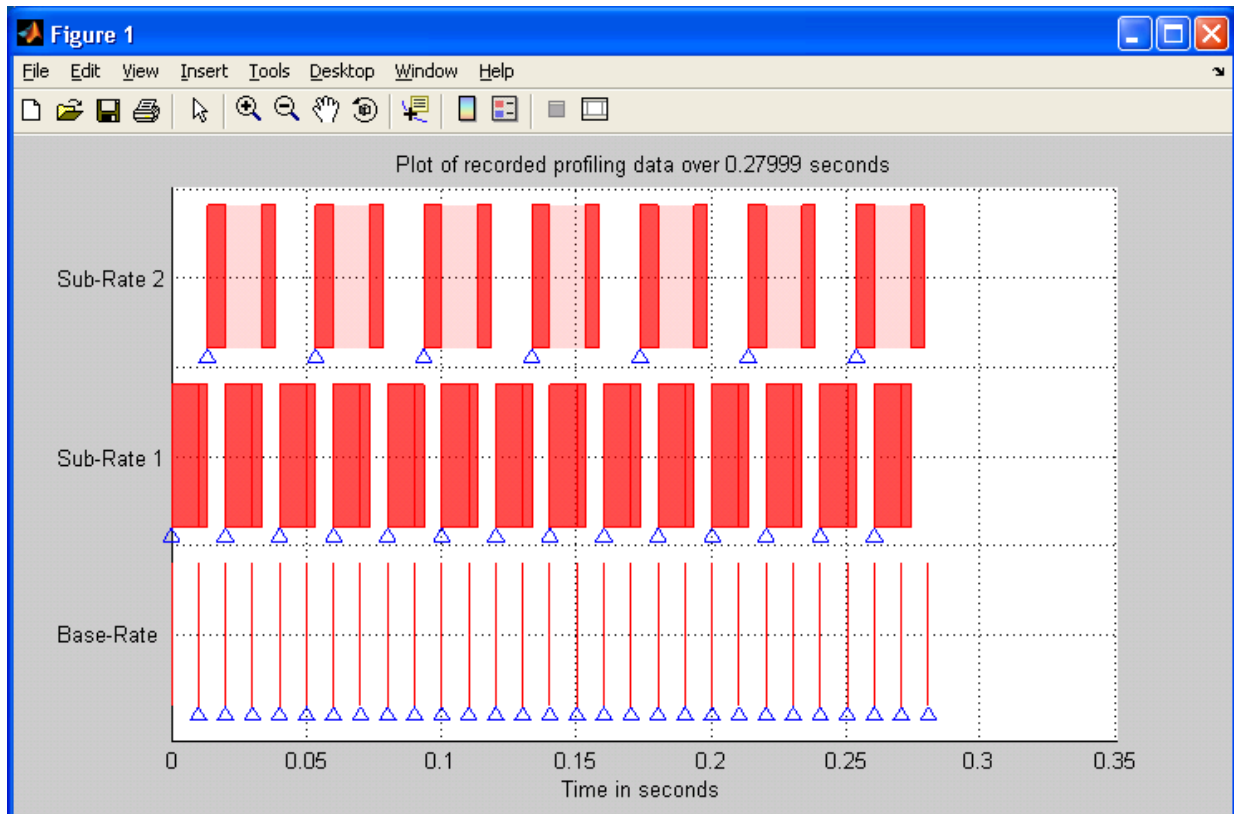


## Description

This model shows how to use the real-time task execution profiler. The profiler includes a set of utilities for recording, uploading, and analyzing execution profile data for synchronous and asynchronous tasks. The profiler displays when tasks are activated, preempted, resumed, and completed. In addition, the profiler generates an HTML report with statistical information about each synchronous task.

```
close_system('c6713profiler', 0);
```

The following figure shows the task execution graph. The graph shows three synchronous tasks. Each task completes successfully following the original schedule set in the model. However, tasks for each sub-rate are temporarily suspended at times to run higher-priority tasks.



## Required Hardware

One of the following boards:

- TMS320C6713-based board
- TMS320C2812-based board
- TMS320C2808-based board
- TMS320C5510-based board

## Hardware Connections

- None

## To Run the Example on the DSP Board

- Open the model.
- Open the Model Configuration Parameters dialog box and select **Code Generation > Coder Target**. Click **Target Hardware Resources** and verify that the settings match your target hardware.
- Build the model, to generate, build, load, and run the DSP code.
- Halt the execution of the program in Code Composer Studio™ (see the notes below).
- To obtain the task execution graph and the report, enter the following command in the MATLAB® command window:

```
profile(CCS_Obj, 'execution', 'report')
```

## Notes

- The code execution profiler uses an on-chip timer. If you use a processor simulator, select one that can simulate processor timers.
- The model needs to run long enough to collect sufficient profiling data. This time depends on the number of profiling samples specified and the sample rates of the model. If you use a simulator, data collection can take considerably longer than when you use hardware.
- Running the profiler while the target runs generates warnings and can give unexpected results. Halt the program before you run the profiler.

```
% LocalWords: DSK TMS
```



# **Data, Function, and File Definition**



# Data Representation

---

- “Access Data During Execution by Using Data Interfaces” on page 6-3
- “Default Data Structures in the Generated Code” on page 6-16
- “Use the Real-Time Model Data Structure” on page 6-19
- “Use Enumerated Data in Generated Code” on page 6-22
- “Structure Parameters and Generated Code” on page 6-31
- “Data Stores in Generated Code” on page 6-36
- “Generate Code for Data Store Memory Blocks” on page 6-42
- “Structures in Generated Code Using Data Stores” on page 6-43
- “Specify Single Precision” on page 6-47
- “Parameter Storage in the Generated Code” on page 6-48
- “Tunable Expressions” on page 6-53
- “Control Parameter Data Types in the Generated Code” on page 6-62
- “Control Parameter Representation and Declare Tunable Parameters in the Generated Code” on page 6-70
- “Parameter Object Configuration Quick Reference Diagram” on page 6-80
- “Switch Between Sets of Parameter Values During Simulation and Code Execution” on page 6-82
- “Signal Representation in Generated Code” on page 6-92
- “Control Signals and States in Code by Applying Storage Classes” on page 6-103
- “Group Signals into Structures in the Generated Code Using Buses” on page 6-113
- “Generate Efficient Code for Bus Signals” on page 6-117
- “Maximize Signal Storage Optimization” on page 6-121
- “Control Signal and State Initialization in the Generated Code” on page 6-122
- “Continuous Block State Naming in Generated Code” on page 6-133
- “Discrete Block State Naming in Generated Code” on page 6-135

- “Signal Processing with Fixed-Point Data” on page 6-140
- “Optimize Generated Code Using Fixed-Point Data with Simulink®, Stateflow®, and MATLAB®” on page 6-142



# Access Data During Execution by Using Data Interfaces

## Access Signal, State, and Parameter Data During Execution

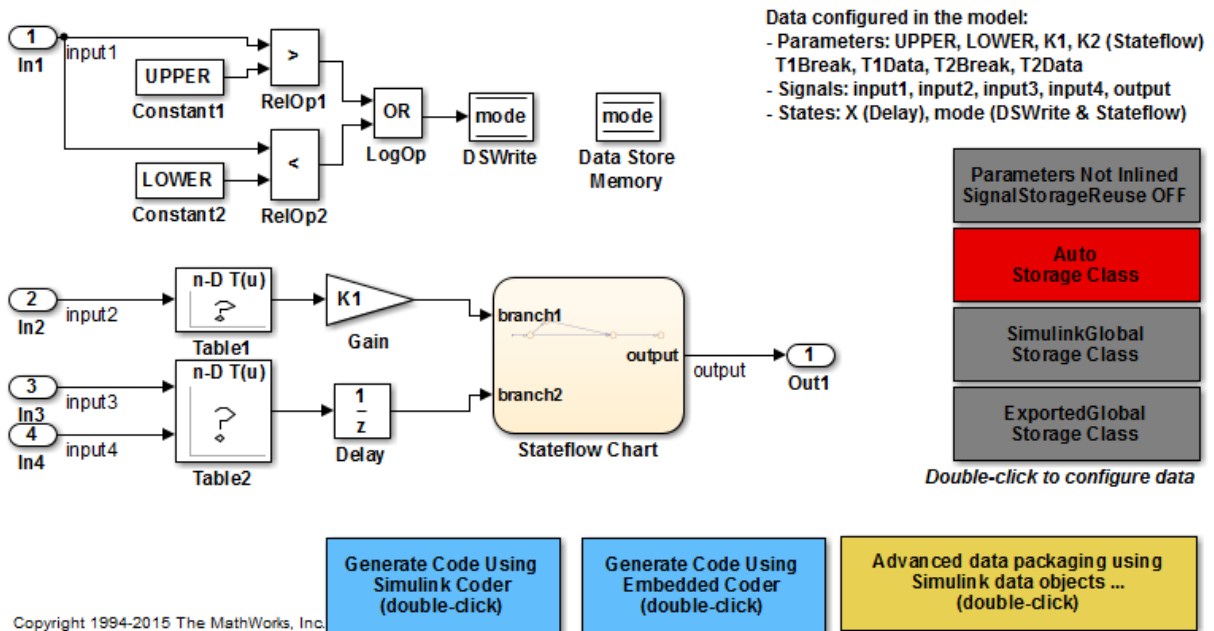
As you iteratively develop a model, you capture output signal and state data that model execution generates. You also tune parameter values during execution to observe the effect on the outputs. You can then base your design decisions upon analysis of these outputs. To access this signal, state, and parameter data in a rapid prototyping environment, you can configure the generated code to store the data in addressable memory.

By default, optimization settings make the generated code more efficient by eliminating unnecessary signal storage and inlining the numeric values of block parameters. To generate code that instead allocates addressable memory for this data, you can disable the optimizations or specify code generation settings for individual data items.

### Explore Example Model

Open the example model `rtwdemo_basicsc`.

```
rtwdemo_basicsc
```



The model loads numeric MATLAB variables, such as K1, into the base workspace.

In the model, open the block dialog box for the Gain block labeled Gain. The block uses the variable K1 to set the value of the Gain parameter.

### Disable Optimizations

In the model, clear the optimization **Configuration Parameters > Signal storage reuse**. When you clear this optimization and other optimizations such as **Eliminate superfluous local variables (expression folding)**, the generated code allocates memory for signal lines. Clearing **Signal storage reuse** disables most of the other optimizations.

```
set_param('rtwdemo_basicsc', 'OptimizeBlockIOStorage', 'off')
```

Set the optimization **Configuration Parameters > Optimization > Signals and Parameters > Default parameter behavior** to Tunable. When set to Tunable, this configuration parameter causes the generated code to allocate memory for block parameters and workspace variables.

```
set_param('rtwdemo_basicsc','DefaultParameterBehavior','Tunable')
```

Generate code from the model.

```
rtwbuild('rtwdemo_basicsc')
```

```
### Starting build procedure for model: rtwdemo_basicsc
### Successful completion of build procedure for model: rtwdemo_basicsc
```

In the code generation report, view the file `rtwdemo_basicsc.h`. This header file defines a structure type that contains signal data. The structure contains fields that each represent a signal line in the model. For example, the output signal of the Gain block labeled Gain appears as the field `Gain`.

```
file = fullfile('rtwdemo_basicsc_grt_rtw','rtwdemo_basicsc.h');
rtwdemodbtype(file,'/* Block signals (auto storage) */','B_rtwdemo_basicsc_T',1,1)

/* Block signals (auto storage) */
typedef struct {
    real32_T Table1;           /* '<Root>/Table1' */
    real32_T Gain;            /* '<Root>/Gain' */
    real32_T Delay;          /* '<Root>/Delay' */
    real32_T Table2;         /* '<Root>/Table2' */
    boolean_T RelOp1;        /* '<Root>/RelOp1' */
    boolean_T RelOp2;        /* '<Root>/RelOp2' */
    boolean_T LogOp;         /* '<Root>/LogOp' */
} B_rtwdemo_basicsc_T;
```

The file defines a structure type that contains block parameter data. The MATLAB variable `K1` appears as a field of the structure. The other fields of the structure represent other block parameters and workspace variables from the model, including initial conditions for signals.

```
rtwdemodbtype(file,'/* Parameters (auto storage) */','/* Real-time Model Data Structure
```

```
/* Parameters (auto storage) */
struct P_rtwdemo_basicsc_T_ {
    real_T K2;                /* Variable: K2
                             * Referenced by: '<Root>/Stateflow Chart'
                             */
    real32_T LOWER;          /* Variable: LOWER
                             * Referenced by: '<Root>/Constant2'
                             */
    real32_T T1Break[11];    /* Variable: T1Break
```

```

    * Referenced by: '<Root>/Table1'
    */
    real32_T T1Data[11];
    /* Variable: T1Data
    * Referenced by: '<Root>/Table1'
    */
    real32_T T2Break[3];
    /* Variable: T2Break
    * Referenced by: '<Root>/Table2'
    */
    real32_T T2Data[9];
    /* Variable: T2Data
    * Referenced by: '<Root>/Table2'
    */
    real32_T UPPER;
    /* Variable: UPPER
    * Referenced by: '<Root>/Constant1'
    */
    int8_T K1;
    /* Variable: K1
    * Referenced by: '<Root>/Gain'
    */
    real32_T Delay_InitialCondition;
    /* Computed Parameter: Delay_InitialCondition
    * Referenced by: '<Root>/Delay'
    */
    uint32_T Table2_maxIndex[2];
    /* Computed Parameter: Table2_maxIndex
    * Referenced by: '<Root>/Table2'
    */
    boolean_T DataStoreMemory_InitialValue; /* Computed Parameter: DataStoreMemory_InitialValue
    * Referenced by: '<Root>/Data Store Memory'
    */
};

```

View the file `rtwdemo_basicsc_data.c`. This source file allocates global memory for a parameter structure and initializes the field values based on the parameter values in the model.

View the source file `rtwdemo_basicsc.c`. The code allocates global memory for a structure variable that contains signal data.

```

file = fullfile('rtwdemo_basicsc_grt_rtw', 'rtwdemo_basicsc.c');
rtwdemodbtype(file, /* Block signals (auto storage) */, 'B_rtwdemo_basicsc_T rtwdemo_b

/* Block signals (auto storage) */
B_rtwdemo_basicsc_T rtwdemo_basicsc_B;

```

The code algorithm in the model `step` function calculates the signal values. It then assigns these values to the fields of the signal structure. To perform the calculations, the algorithm uses the parameter values from the fields of the parameter structure.

## Exclude Data Items from Optimizations

When you want to select code generation optimizations such as **Signal storage reuse**, you can preserve individual data items from the optimizations. The generated code then allocates addressable memory for the items.

Select the optimizations that you previously cleared.

```
set_param('rtwdemo_basicsc','OptimizeBlockIOStorage','on')
set_param('rtwdemo_basicsc','LocalBlockOutputs','on')
set_param('rtwdemo_basicsc','DefaultParameterBehavior','Inlined')
```

Right-click the output of the Gain block labeled **Gain** and select **Properties**. In the Signal Properties dialog box, select **Test point**.

```
portHandle = get_param('rtwdemo_basicsc/Gain','PortHandles');
portHandle = portHandle.Outport;
set_param(portHandle,'TestPoint','on')
```

Convert the MATLAB variable K1 to a `Simulink.Parameter` object. With parameter objects, you can create addressable parameters to tune during execution of the generated code.

```
K1 = Simulink.Parameter(K1);
```

Apply a storage class other than `Auto` to the parameter object K1. For example, use the storage class `SimulinkGlobal` to represent the parameter object as a field of the global parameter structure.

```
K1.StorageClass = 'SimulinkGlobal';
```

Generate code from the model.

```
rtwbuild('rtwdemo_basicsc')

### Starting build procedure for model: rtwdemo_basicsc
### Successful completion of build procedure for model: rtwdemo_basicsc
```

In the code generation report, view the file `rtwdemo_basicsc.h`. The structure that contains signal data now defines only one field, `Gain`, which represents the test-pointed output of the Gain block.

```
file = fullfile('rtwdemo_basicsc_grt_rtw','rtwdemo_basicsc.h');
rtwdemodbtype(file,'/* Block signals (auto storage) */','B_rtwdemo_basicsc_T;',1,1)

/* Block signals (auto storage) */
```

```
typedef struct {  
    real32_T Gain; /* '<Root>/Gain' */  
} B_rtwdemo_basicsc_T;
```

The structure that contains block parameter data defines one field, K1, which represents the parameter object K1.

```
rtwdemodbtype(file, /* Parameters (auto storage) */', /* Real-time Model Data Structure
```

```
/* Parameters (auto storage) */  
struct P_rtwdemo_basicsc_T_ {  
    int8_T K1; /* Variable: K1  
              * Referenced by: '<Root>/Gain'  
              */  
};
```

## Access Data Through Generated Interfaces

You can configure the generated code to contain extra code and files so that you can access model data through standardized interfaces. For example, use the C API to log signal data and tune parameters during execution.

For more information about data interfaces, including the C API, see “Data Exchange Interfaces”. For an example, see “Access Data During Execution by Using Data Interfaces”.

## Access Data Through C API

- 1 Copy this handwritten code into a new file `myHandCode.c` in your current folder:

```
#include "myHandHdr.h"  
  
#define paramIdx 0 /* Index of the target parameter,  
determined by inspecting the array of structures generated by the C API. */  
#define sigIdx 0 /* Index of the target signal,  
determined by inspecting the array of structures generated by the C API. */  
  
void tuneFcn(rtwCAPI_ModelMappingInfo *mmi, time_T *tPtr)  
{  
    /* Take action with the parameter value only at  
    the beginning of simulation and at the 5-second mark. */  
    if (*tPtr == 0 || *tPtr == 5) {
```

```

/* Local variables to store information extracted from
   the model mapping information (mmi). */
void** dataAddrMap;
const rtwCAPI_DataTypeMap *dataTypeMap;
const rtwCAPI_ModelParameters *params;
int_T addrIdx;
uint16_T dTypeIdx;
uint8_T slDataType;

/* Use built-in C API macros to extract information. */
dataAddrMap = rtwCAPI_GetDataAddressMap(mmi);
dataTypeMap = rtwCAPI_GetDataTypeMap(mmi);
params = rtwCAPI_GetModelParameters(mmi);
addrIdx = rtwCAPI_GetModelParameterAddrIdx(params,paramIdx);
dTypeIdx = rtwCAPI_GetModelParameterDataTypeIdx(params,paramIdx);
slDataType = rtwCAPI_GetDataTypeSLId(dataTypeMap, dTypeIdx);

/* Handle data types 'double' and 'int8'. */
switch (slDataType) {

    case SS_DOUBLE: {
        real_T* dataAddress;
        dataAddress = dataAddrMap[addrIdx];
        /* At the 5-second mark, increment the parameter value by 1. */
        if (*tPtr == 5) {
            (*dataAddress)++;
        }
        printf("Parameter value is %f\n", *dataAddress);
        break;
    }

    case SS_INT8: {
        int8_T* dataAddress;
        dataAddress = dataAddrMap[addrIdx];
        if (*tPtr == 5) {
            (*dataAddress)++;
        }
        printf("Parameter value is %i\n", *dataAddress);
        break;
    }

}
}
}
}
}
}
}

```

```
void logFcn(rtwCAPI_ModelMappingInfo *mmi, time_T *tPtr)
{
    /* Take action with the signal value only when
       the simulation time is an integer value. */
    if (*tPtr-(int_T)*tPtr == 0) {

        /* Local variables to store information extracted from
           the model mapping information (mmi). */
        void** dataAddrMap;
        const rtwCAPI_DataTypeMap *dataTypeMap;
        const rtwCAPI_Signals *sigs;
        int_T addrIdx;
        uint16_T dTypeIdx;
        uint8_T slDataType;

        /* Use built-in C API macros to extract information. */
        dataAddrMap = rtwCAPI_GetDataAddressMap(mmi);
        dataTypeMap = rtwCAPI_GetDataTypeMap(mmi);
        sigs = rtwCAPI_GetSignals(mmi);
        addrIdx = rtwCAPI_GetSignalAddrIdx(sigs, sigIdx);
        dTypeIdx = rtwCAPI_GetSignalDataTypeIdx(sigs, sigIdx);
        slDataType = rtwCAPI_GetDataTypeSLId(dataTypeMap, dTypeIdx);

        /* Handle data types 'double' and 'single'. */
        switch (slDataType) {

            case SS_DOUBLE: {
                real_T* dataAddress;
                dataAddress = dataAddrMap[addrIdx];
                printf("Signal value is %f\n", *dataAddress);
                break;
            }

            case SS_SINGLE: {
                real32_T* dataAddress;
                dataAddress = dataAddrMap[addrIdx];
                printf("Signal value is %f\n", *dataAddress);
                break;
            }

        }
    }
}
```

Copy this handwritten code into a new file `myHandHdr.h` in your current folder:



```

#include <stdio.h>
#include <string.h>
#include <math.h>
/* Include rtw_modelmap.h for definitions of C API macros. */
#include "rtw_modelmap.h"
#include "builtin_typeid_types.h"
#include "rtwtypes.h"
void tuneFcn(rtwCAPI_ModelMappingInfo *mmi, time_T *tPtr);
void logFcn(rtwCAPI_ModelMappingInfo *mmi, time_T *tPtr);

```

These files use the C API to access signal and parameter data in the code that you generate from the example model.

- 2 In the model, set **Configuration Parameters > Code Generation > Custom Code > Insert custom C code in generated > Header file** to `#include "myHandHdr.h"`. In the same pane in the Configuration Parameters dialog box, set **Additional Build Information > Source files** to `myHandCode.c`.

```

set_param('rtwdemo_basicsc','CustomHeaderCode','#include "myHandHdr.h"')
set_param('rtwdemo_basicsc','CustomSource','myHandCode.c')

```

- 3 Select **Configuration Parameters > All Parameters > MAT-File Logging**. The generated executable runs only until the simulation stop time (which you set in the model configuration parameters).

```

set_param('rtwdemo_basicsc','MatFileLogging','on')

```

- 4 Set **Configuration Parameters > Code Generation > Interface > Interface to C API**.

```

set_param('rtwdemo_basicsc','RTWCAPIParams','on')
set_param('rtwdemo_basicsc','RTWCAPISignals','on')
set_param('rtwdemo_basicsc','RTWCAPIStates','on')
set_param('rtwdemo_basicsc','RTWCAPIRootIO','on')

```

- 5 Load the Custom Code block library.

```

custcode

```

- 6 Add a System Outputs block to the model.

```

add_block('custcode/System Outputs','rtwdemo_basicsc/System Outputs')

```

- 7 In the System Outputs block dialog box, set **System Outputs Function Execution Code** to this custom code:

```

{
rtwdemo_basicsc_U.input2++;
rtwCAPI_ModelMappingInfo *MMI = &(rtmGetDataMapInfo(rtwdemo_basicsc_M).mmi);
tuneFcn(MMI, rtmGetTPtr(rtwdemo_basicsc_M));
}

```

- 8 In the block dialog box, set **System Outputs Function Exit Code** to this custom code:

```

{
rtwCAPI_ModelMappingInfo *MMI = &(rtmGetDataMapInfo(rtwdemo_basicsc_M).mmi);
logFcn(MMI, rtmGetTPtr(rtwdemo_basicsc_M));
}

```

Alternatively, to configure the **System Outputs** block, at the command prompt, use these commands:

```

temp.TLCFile = 'custcode';
temp.Location = 'System Outputs Function';
temp.Middle = sprintf(['\nrtwdemo_basicsc_U.input2++;'...
    '\nrtwCAPI_ModelMappingInfo *MMI = '...
    '&(rtmGetDataMapInfo(rtwdemo_basicsc_M).mmi);'...
    '\ntuneFcn(MMI, rtmGetTPtr(rtwdemo_basicsc_M));\n']);
temp.Bottom = sprintf(['\nrtwCAPI_ModelMappingInfo *MMI = '...
    '&(rtmGetDataMapInfo(rtwdemo_basicsc_M).mmi);'...
    '\nlogFcn(MMI, rtmGetTPtr(rtwdemo_basicsc_M));\n']);
set_param('rtwdemo_basicsc/System Outputs', 'RTWdata', temp)

```

- 9 Generate code from the model.

```
rtwbuild('rtwdemo_basicsc')
```

- 10 In the code generation report, view the interface file `rtwdemo_basicsc_capi.c`. This file initializes the arrays of structures that you can use to interact with data items through the C API. For example, in the array of structures `rtBlockSignals`, the first structure (index 0) describes the test-pointed output signal of the **Gain** block in the model.

```

/* Block output signal information */
static const rtwCAPI_Signals rtBlockSignals[] = {
    /* addrMapIndex, sysNum, blockPath,
     * signalName, portNumber, dataTypeIndex, dimIndex, fxpIndex, sTimeIndex
     */
    { 0, 0, TARGET_STRING("rtwdemo_basicsc/Gain"),
      TARGET_STRING(""), 0, 0, 0, 0, 0 },

```

```

    {
      0, 0, (NULL), (NULL), 0, 0, 0, 0, 0
    }
  };

```

The fields of the structure, such as `addrMapIndex`, indicate indices into other arrays of structures, such as `rtDataAddrMap`, that describe the characteristics of the signal. These characteristics include the address of the signal data (a pointer to the data), the numeric data type, and the dimensions of the signal.

- 11 In the file `rtwdemo_basicsc.c`, view the code algorithm in the model `step` function. The algorithm first executes the custom code that you specified in the `System Outputs` block.

```

/* user code (Output function Body) */

/* System '<Root>' */
{
  rtwdemo_basicsc_U.input2++;
  rtwCAPI_ModelMappingInfo *MMI = &(rtmGetDataMapInfo(rtwdemo_basicsc_M).mmi);
  tuneFcn(MMI, rtmGetTPtr(rtwdemo_basicsc_M));
}

```

This custom code first perturbs the input signal `input2` by incrementing the value of the signal each time the `step` function executes. The code then uses the built-in macro `rtmGetDataMapInfo` to extract model mapping information from the model data structure `rtwdemo_basicsc_M`. The pointer `MMI` points to the extracted mapping information, which allows the custom functions `tuneFcn` and `logFcn` to access the information contained in the arrays of structures that the C API file `rtwdemo_basicsc_capi.c` defines.

- 12 View the custom function `tuneFcn` in the file `myHandCode.c`. This function uses the C API (through the model mapping information `mmi`) and a pointer to the simulation time to print the value of the parameter `K1` at specific times during code execution. When the simulation time reaches 5 seconds, the function changes the parameter value in memory. By using a `switch case` block, the function can access the parameter data whether the data type is `int8` or `double`.
- 13 View the code algorithm in the model `step` function again. Near the end of the function, the algorithm executes the custom code that you specified in the `System Outputs` block. This code calls the custom function `logFcn`.

```

/* user code (Output function Trailer) */

```

```
/* System '<Root>' */
{
    rtwCAPI_ModelMappingInfo *MMI = &(rtmGetDataMapInfo(rtwdemo_bascisc_M).mmi);
    logFcn(MMI, rtmGetTPtr(rtwdemo_bascisc_M));
}
```

- 14 View the custom function `logFcn` in the file `myHandCode.c`. The function uses the C API to print the value of the test-pointed signal. The function can access the signal data whether the data type is `single` or `double`.
- 15 At the command prompt, run the generated executable `rtwdemo_bascisc.exe`.

```
system('rtwdemo_bascisc')

** starting the model **
Parameter value is 2
Signal value is 1.520000
Signal value is 1.920000
Signal value is 1.960000
Signal value is 1.980000
Signal value is 2.000000
Parameter value is 3
Signal value is 3.030000
Signal value is 3.060000
Signal value is 3.090000
Signal value is 3.120000
Signal value is 3.150000
Signal value is 3.180000
** created rtwdemo_bascisc.mat **
```

The parameter and signal values appear in the Command Window output.

For more information about data interfaces, including the C API, see “Data Exchange Interfaces”.

### See Also

[Simulink.Parameter](#) | [Simulink.Signal](#)

### Related Examples

- “Default Data Structures in the Generated Code” on page 6-16
- “Control Parameter Representation and Declare Tunable Parameters in the Generated Code” on page 6-70

- “Control Signals and States in Code by Applying Storage Classes” on page 6-103
- “Exchange Data Between Generated and External Code Using C API”

## Default Data Structures in the Generated Code

The generated code creates variables to represent model data such as signals, block parameters, and states. The code generation settings that you choose for a model determine the default scope of each datum. If the code generator applies a global scope to a datum, by default the datum appears as a field of a global data structure rather than a separate global variable. For example, the generated code creates default structures to contain block output signals, tunable parameters, and constant-valued nontunable parameters that the code generator cannot inline.

The table shows the most common global data structures in the generated code. The default name of each structure variable is *model\_structname*. *model* is the name of the model. *structname* is the structure name in the table.

### Global data structures generated for a standalone model

Structure Name	Data Represented in the Structure
U	Data from root Inport blocks
Y	Data from root Outport blocks
B	Block output signals
ConstB	Block outputs that have constant values
P	Block parameters
DefaultP	Default parameters in the system
ConstP	Constant parameters
DW	Discrete block states
X	Continuous block states
XDot	Derivatives of continuous states at each time step
XDis	Status of enabled subsystems
ZCV	Zero-crossing signals
PrevZCX	Previous zero-crossing signal states
Obj	Used by ERT C++ code generation to refer to referenced model objects

The table shows the most common global data structures generated for atomic subsystems and referenced models. The default name of each structure variable is *model\_structname* for referenced models and *model\_subsystem\_structname* for subsystems.

### Global data structures generated for subsystems and referenced models

Structure Name	Data Represented in the Structure
B	Block output signals
ConstB	Block outputs that have constant values
P	Block parameters
DW	Discrete block states
MdlRefDW	Discrete block states in referenced model
X	Continuous states in model reference
XDis	Status of enabled subsystems
ZCV	Zero-crossing signals
RTM	RT_Model structure

If you have an Embedded Coder license, you can control the names of these global structure variables. For more information, see “Global variables” and “System-generated identifiers”.

You can exclude data from appearing in these structures by using:

- Storage classes. For example, you can use storage classes to represent signals, tunable parameters, and states as individual global variables. For more information, see “Control Signals and States in Code by Applying Storage Classes” and “Control Parameter Representation and Declare Tunable Parameters in the Generated Code”.
- Configuration parameters, such as those on the **Optimization > Signals and Parameters** pane in the Configuration Parameters dialog box. You can adjust these configuration parameters to control the default representation of data. For more information, see “Optimization Pane: Signals and Parameters”.

### See Also

“Combine signal/state structures”

### **Related Examples**

- “Signal Representation in Generated Code”
- “Parameter Storage in the Generated Code”
- “Access Data During Execution by Using Data Interfaces” on page 6-3



## Use the Real-Time Model Data Structure

The real-time Simulink Coder targets and Embedded Coder targets use the real-time model (RT\_MODEL) data structure. This structure is also referred to as the `rtModel` data structure. You can access `rtModel` data by using a set of macros analogous to the `ssSetxxx` and `ssGetxxx` macros that S-functions use to access `SimStruct` data, including noninlined S-functions compiled by the Simulink Coder code generator.

You need to use the set of macros `rtmGetxxx` and `rtmSetxxx` to access the real-time model data structure, which is specific to the Simulink Coder product. The `rtModel` is an optimized data structure that replaces `SimStruct` as the top level data structure for a model. The `rtmGetxxx` and `rtmSetxxx` macros are used in the generated code as well as from the `main.c` or `main.cpp` module. If you are customizing `main.c` or `main.cpp` (either a static file or a generated file), you need to use `rtmGetxxx` and `rtmSetxxx` instead of the `ssSetxxx` and `ssGetxxx` macros.

Usage of `rtmGetxxx` and `rtmSetxxx` macros is the same as for the `ssSetxxx` and `ssGetxxx` versions, except that you replace `SimStruct S` by real-time model data structure `rtM`. The following table lists `rtmGetxxx` and `rtmSetxxx` macros that are used in `grt_main.c` and `grt_main.cpp`.

### Macros for Accessing the Real-Time Model Data Structure

rtm Macro Syntax	Description
<code>rtmGetdX(rtM)</code>	Get the derivatives of block continuous states
<code>rtmGetOffsetTimePtr(RT_MDL rtM)</code>	Return the pointer to vector that stores sample time offsets of the model associated with <code>rtM</code>
<code>rtmGetNumSampleTimes(RT_MDL rtM)</code>	Get the number of sample times that a block has
<code>rtmGetPerTaskSampleHitsPtr(RT_MDL)</code>	Return a pointer to <code>NumSampleTime × NumSampleTime</code> matrix
<code>rtmGetRTWExtModeInfo(RT_MDL rtM)</code>	Return an external mode information data structure of the model (used internally for External mode).
<code>rtmGetRTWLogInfo(RT_MDL)</code>	Return a data structure used by Simulink Coder logging (internal use only)
<code>rtmGetRTWRtModelMethodsInfo(RT_MDL)</code>	Return a data structure of Simulink Coder real-time model methods information (internal use only)

rtm Macro Syntax	Description
rtmGetRTWSolverInfo(RT_MDL)	Return data structure containing solver information of the model (internal use only)
rtmGetSampleHitPtr(RT_MDL)	Return a pointer to Sample Hit flag vector
rtmGetSampleTime(RT_MDL rtm, int TID)	Get task sample time
rtmGetSampleTimePtr(RT_MDL rtm)	Get pointer to a task sample time
rtmGetSampleTimeTaskIDPtr(RT_MDL rtm)	Get pointer to a task ID
rtmGetSimTimeStep(RT_MDL)	Return simulation step type ID (MINOR_TIME_STEP, MAJOR_TIME_STEP)
rtmGetStepSize(RT_MDL)	Return the fundamental step size of the model
rtmGetT(RT_MDL, t)	Get the current simulation time
rtmSetT(RT_MDL, t)	Set the time of the next sample hit
rtmGetTaskTime(RT_MDL, tid)	Get the current time for the current task
rtmGetTFinal(RT_MDL)	Get the simulation stop time
rtmSetTFinal(RT_MDL, finalT)	Set the simulation stop time
rtmGetTimingData(RT_MDL)	Return a data structure used by timing engine of the model (internal use only)
rtmGetTPtr(RT_MDL)	Return a pointer to the current time
rtmGetTStart(RT_MDL)	Get the simulation start time
rtmIsContinuousTask(rtm)	Determine whether a task is continuous
rtmIsMajorTimeStep(rtm)	Determine whether the simulation is in a major step
rtmIsSampleHit(RT_MDL, tid)	Determine whether the sample time is hit
rtmGetErrorStatus(rtm)	Get the current error status
rtmSetErrorStatus(rtm, val)	Set the current error status
rtmGetErrorStatusPointer(rtm)	Return a pointer to the current error status
rtmGetStopRequested(rtm)	Return whether a stop is requested
rtmGetBlockIO(rtm)	Get the block I/O data structure
rtmSetBlockIO(rtm, val)	Set the block I/O data structure
rtmGetContStates(rtm)	Get the continuous states data structure

rtm Macro Syntax	Description
<code>rtmSetContStates(rtm, val)</code>	Set the continuous states data structure
<code>rtmGetDefaultParam(rtm)</code>	Get the default parameters data structure
<code>rtmSetDefaultParam(rtm, val)</code>	Set the default parameters data structure
<code>rtmGetPrevZCSigState(rtm)</code>	Get the previous zero-crossing signal state data structure
<code>rtmSetPrevZCSigState(rtm, val)</code>	Set the previous zero-crossing signal state data structure
<code>rtmGetRootDWork(rtm)</code>	Get the DWork data structure
<code>rtmSetRootDWork(rtm, val)</code>	Set the DWork data structure
<code>rtmGetU(rtm)</code>	Get the root inputs data structure (when root inputs are passed as part of the model data structure)
<code>rtmSetU(rtm, val)</code>	Set the root inputs data structure (when root inputs are passed as part of the model data structure)
<code>rtmGetY(rtm)</code>	Get the root outputs data structure (when root outputs are passed as part of the model data structure)
<code>rtmSetY(rtm, val)</code>	Set the root outputs data structure (when root outputs are passed as part of the model data structure)

For additional details on usage, see “SimStruct Macros and Functions Listed by Usage”.

## Related Examples

- “SimStruct Macros and Functions Listed by Usage”
- “Targets and Generated Code Features”

## Use Enumerated Data in Generated Code

### In this section...

“Enumerated Data Types” on page 6-22

“Specify Integer Data Type for Enumeration” on page 6-22

“Customize Enumerated Data Type” on page 6-24

“Control Enumerated Type Implementation in Generated Code” on page 6-28

“Type Casting for Enumerations” on page 6-29

“Enumerated Type Limitations” on page 6-30

### Enumerated Data Types

*Enumerated data* is data that is restricted to a finite set of values. An *enumerated data type* is a MATLAB class that defines a set of *enumerated values*. Each enumerated value consists of an *enumerated name* and an *underlying integer* which the software uses internally and in generated code. The following is a MATLAB class definition for an enumerated data type named `BasicColors`, which is used in the examples in this section.

```
classdef BasicColors < Simulink.IntEnumType
    enumeration
        Red(0)
        Yellow(1)
        Blue(2)
    end
end
```

For basic information about enumerated data types and their use in Simulink models, see “Use Enumerated Data in Simulink Models”. For information about enumerated data types in Stateflow charts, see “Define Enumerated Data in a Chart”.

### Specify Integer Data Type for Enumeration

When you specify a data type for your enumeration, you can:

- Control the size of enumerated data types in the generated code by specifying a superclass.
- Reduce RAM/ROM usage.

- Improve code portability.
- Improve integration with legacy code.

You can specify any of these integer data types:

- `int8`
- `uint8`
- `int16`
- `uint16`
- `int32`
- `Simulink.IntEnumType`. Specify values in the range of the signed integer for your hardware platform.

### Use a Class Definition in a MATLAB File

To specify an integer data type size, derive your enumeration class from the integer data type.

```
classdef Colors < int8
    enumeration
        Red(0)
        Green(1)
        Blue(2)
    end
end
```

The code generator generates this code:

```
typedef int8_T Colors;

#define Red      ((Colors)0)
#define Green   ((Colors)1)
#define Blue     ((Colors)2)
```

### Use the Function `Simulink.defineIntEnumType`

To specify an integer data type size, specify the name-value pair `StorageType` as the integer data type.

```
Simulink.defineIntEnumType('Colors',{ 'Red', 'Green', 'Blue'},...
[0;1;2], 'StorageType', 'int8')
```

The code generator generates this code:

```
typedef int8_T Colors;

#define Red      ((Colors)0)
#define Green   ((Colors)1)
#define Blue     ((Colors)2)
```

## Customize Enumerated Data Type

When you generate code from a model that uses enumerated data, you can implement these static methods to customize the behavior of the type during simulation and in generated code:

- `getDefaultValue` — Specifies the default value of the enumerated data type.
- `getDescription` — Specifies a description of the enumerated data type.
- `getHeaderFile` — Specifies a header file where the type is defined for generated code.
- `getDataScope` — Specifies whether generated code exports or imports the enumerated data type definition to or from a separate header file.
- `addClassNameToEnumNames` — Specifies whether the class name becomes a prefix in generated code.

The first of these methods, `getDefaultValue`, is relevant to both simulation and code generation, and is described in “Specify a Default Enumerated Value” in the Simulink documentation. The other methods are relevant only to code generation. To customize the behavior of an enumerated type, include a version of the method in the `methods(Static)` section of the enumeration class definition. If you do not want to customize the type, omit the `methods(Static)` section. The table summarizes the methods and the data to supply for each one.

Static Method	Purpose	Default Value Without Implementing Method	Custom Return Value
<code>getDefaultValue</code>	Specifies the default enumeration member for the class.	First member specified in the enumeration definition	A string containing the name of an enumeration member in the class (see “Instantiate Enumerations”).

Static Method	Purpose	Default Value Without Implementing Method	Custom Return Value
<code>getDescription</code>	Specifies a description of the enumeration class.	' '	A string containing the description of the type.
<code>getHeaderFile</code>	Specifies the name of a header file. The method <code>getDataScope</code> determines the significance of the file.	' '	A string containing the name of the header file that defines the enumerated type.  By default, the generated <code>#include</code> directive uses the preprocessor delimiter <code>"</code> instead of <code>&lt;</code> and <code>&gt;</code> . To generate the directive <code>#include &lt;myTypes.h&gt;</code> , specify the custom return value as <code>'&lt;myTypes.h&gt;'</code> .
<code>getDataScope</code>	Specifies whether generated code exports or imports the definition of the enumerated data type. Use the method <code>getHeaderFile</code> to specify the generated or included header file that defines the type.	'Auto'	One of these strings: <code>'Auto'</code> , <code>'Exported'</code> , or <code>'Imported'</code> .
<code>addClassNameToEnumName</code>	Specifies whether to prefix the class name in generated code.	false	true or false.

### Specify a Description

To specify a description for an enumerated data type, include this method in the `methods(Static)` section of the enumeration class:

```
function retVal = getDescription()
% GETDESCRIPTION Optional string to describe the data type.
    retVal = 'description';
end
```

Substitute a MATLAB string for *description*. The generated code that defines the enumerated type includes the specified description.

### Import Type Definition in Generated Code

To prevent generated code from defining an enumerated data type, which allows you to provide the definition in an external file, include these methods in the `methods(Static)` section of the enumeration class:

```
function retVal = getHeaderFile()
% GETHEADERFILE Specifies the file that defines this type in generated code.
% The method getDataScope determines the significance of the specified file.
    retVal = 'imported_enum_type.h';
end

function retVal = getDataScope()
% GETDATASCOPE Specifies whether generated code imports or exports this type.
% Return one of these strings:
% 'Auto':    define type in model_types.h, or import if header file specified
% 'Exported': define type in a generated header file
% 'Imported': import type definition from specified header file
% If you do not define this method, DataScope is 'Auto' by default.
    retVal = 'Imported';
end
```

Instead of defining the type in `model_types.h`, which is the default behavior, generated code imports the definition from the specified header file using a `#include` statement like:

```
#include "imported_enum_type.h"
```

Generating code does not create the imported header file. You must provide the header file, using the file name specified by the method `getHeaderFile`, that defines the enumerated data type.

### Export Type Definition in Generated Code

To generate a separate header file that defines an enumerated data type, include these methods in the `methods(Static)` section of the enumeration class:



```

function retVal = getDataScope()
    % GETDATASCOPE Specifies whether generated code imports or exports this type.
    % Return one of these strings:
    % 'Auto':    define type in model_types.h, or import if header file specified
    % 'Exported': define type in a generated header file
    % 'Imported': import type definition from specified header file
    % If you do not define this method, DataScope is 'Auto' by default.
    retVal = 'Exported';
end

function retVal = getHeaderFile()
    % GETHEADERFILE Specifies the file that defines this type in generated code.
    % The method getDataScope determines the significance of the specified file.
    retVal = 'exported_enum_type.h';
end

```

Generated code exports the enumerated type definition to the generated header file `exported_enum_type.h`.

### Add Prefixes To Class Names

By default, enumerated values in generated code have the same names that they have in the enumeration class definition. Alternatively, your code can prefix every enumerated value in an enumeration class with the name of the class. You can use this technique to prevent identifier conflicts or to improve the readability of the code. To specify class name prefixing, include this method in the `methods(Static)` section of an enumeration class:

```

function retVal = addClassNameToEnumNames()
    % ADDCLASSNAMETOENUMNAMES Specifies whether to add the class name
    % as a prefix to enumeration member names in generated code.
    % Return true or false.
    % If you do not define this method, no prefix is added.
    retVal = true;
end

```

Specify the return value as `true` to enable class name prefixing or as `false` to suppress prefixing. If you specify `true`, each enumerated value in the class appears in generated code as `EnumTypeName_EnumName`. For the example enumeration class `BasicColors` in “Enumerated Data Types” on page 6-22, the data type definition in generated code might look like this:

```

#ifndef _DEFINED_TYPEDEF_FOR_BasicColors_
#define _DEFINED_TYPEDEF_FOR_BasicColors_

typedef enum {
    BasicColors_Red = 0,          /* Default value */
    BasicColors_Yellow = 1,
    BasicColors_Blue = 2,
} BasicColors;

```

```
#endif
```

The enumeration class name `BasicColors` appears as a prefix for each of the enumerated names.

## Control Enumerated Type Implementation in Generated Code

Suppose that you define an enumerated type `BasicColors`. You can specify that the generated code implement the type definition using:

- An `enum` block. The native integer type of your hardware is the underlying integer type for the enumeration members.
- A `typedef` statement and a series of `#define` macros. The `typedef` statement bases the enumerated type name on a specific integer data type, such as `int8`. The macros associate the enumeration members with the underlying integer values.

### Implement Enumerated Type Using `enum` Block

To implement the type definition using an `enum` block:

- In Simulink, define the enumerated type using a `classdef` block in a script file. Derive the enumeration from the type `Simulink.IntEnumType`.
- Alternatively, use the function `Simulink.defineIntEnumType`. Do not specify the property `StorageType`.

When you generate code, the type definition appears in an `enum` block.

```
#ifndef _DEFINED_TYPEDEF_FOR_BasicColors_  
#define _DEFINED_TYPEDEF_FOR_BasicColors_  
  
typedef enum {  
    Red = 0,           /* Default value */  
    Yellow,  
    Blue,  
} BasicColors;  
  
#endif
```

### Implement Enumerated Type Using a Specific Integer Type

To implement the type definition using a `typedef` statement and `#define` macros:

- In Simulink, define the enumerated type using a `classdef` block in a script file. Derive the enumeration from a specific integer type such as `int8`.
- Alternatively, use the function `Simulink.defineIntEnumType`. Specify the property `StorageType` using a specific integer type such as `int8`.

When you generate code, the type definition appears as a `typedef` statement and a series of `#define` macros.

```
#ifndef _DEFINED_TYPEDEF_FOR_BasicColors_
#define _DEFINED_TYPEDEF_FOR_BasicColors_

typedef int8_T BasicColors;

#define Red ((BasicColors)0)           /* Default value */
#define Yellow ((BasicColors)1)
#define Blue ((BasicColors)2)

#endif
```

By default, the generated file `model_types.h` contains enumerated type definitions.

## Type Casting for Enumerations

### Safe Casting

A Simulink Data Type Conversion block accepts a signal of integer type. The block converts the input to one of the underlying values of an enumerated type.

If the input value does not match any of the underlying values of the enumerated type values, Simulink inserts a safe cast to replace the input value with the enumerated type default value.

### Enable and Disable Safe Casting

You can enable or disable safe casting for enumerations during code generation for a Simulink Data Type Conversion block or a Stateflow block.

To control safe casting, enable or disable the **Saturate on integer overflow** block parameter. The parameter works as follows:

- **Enabled:** Simulink replaces a nonmatching input value with the default value of the enumerated values during simulation. The software generates a safe cast function during code generation.

- **Disabled:** For a nonmatching input value, Simulink generates an error during simulation. The software omits the safe cast function during code generation. In this case, the code is more efficient. However, the code may be more vulnerable to run-time errors.

### Safe Cast Function in Generated Code

This example shows how the safe cast function `int32_T ET08_safe_cast_to_BasicColors` for the enumeration `BasicColors` appears in generated code when generated for 32-bit hardware.

```
static int32_T ET08_safe_cast_to_BasicColors(int32_T input)
{
    int32_T output;
    /* Initialize output value to default value for BasicColors (Red) */
    output = 0;
    if ((input >= 0) && (input <= 2)) {
        /* Set output value to input value if it is a member of BasicColors */
        output = input;
    }
    return output;
}
```

Through this function, the enumerated type's default value is used if the input value does not match one of underlying values of the enumerated type's values.

If the block's **Saturate on integer overflow** parameter is disabled, this function does not appear in generated code.

### Enumerated Type Limitations

- Generated code does not support logging enumerated data.

### See Also

`enumeration` | `Simulink.data.getEnumTypeInfo` | `Simulink.defineIntEnumType`

### Related Examples

- “Use Enumerated Data in Simulink Models”
- “Simulink Enumerations”

## Structure Parameters and Generated Code

### In this section...

- “About Structure Parameters and Generated Code” on page 6-31
- “Configure Structure Parameters for Generated Code” on page 6-31
- “Create Tunable Structure Parameter” on page 6-32
- “Control Name of Structure Parameter Type” on page 6-32

### About Structure Parameters and Generated Code

You can improve the generated code by using compact, organized structure parameters rather than multiple separate variables. You have the option of configuring the appearance of a structure parameter in generated code.

For basic information about creating and using structure parameters, see “Organize Related Block Parameter Definitions in Structures” in the Simulink documentation. For an example of how to convert a model that uses unstructured workspace variables to a model that uses structure parameters, see `sldemo_applyVarStruct`.

### Configure Structure Parameters for Generated Code

By default, structure parameters do not appear in generated code. Structure parameters include numeric variables. The code generator inlines numeric values.

To make the structure type definition appear in generated code for a structure parameter:

- 1 Create a `Simulink.Parameter` object.
- 2 Define the object value to be the structure parameter.
- 3 Define the object storage class to be a value other than `Auto`.

The code generator places a structure type definition for the tunable structure parameter in `model_types.h`. By default, the code generator identifies the type with a nondescriptive, automatically generated name, such as `struct_z98c0D2qc4btL`.

For information on how to control the naming of the type, see “Control Name of Structure Parameter Type” on page 6-32. For an example, see `sldemo_applyVarStruct`

## Create Tunable Structure Parameter

Declare a structure parameter to be tunable using one of the following techniques:

- Set **Model Configuration Parameters > Optimization > Signals and Parameters > Default parameter behavior** to **Tunable**. Your structure parameter appears in the generated code as a substructure of a global structure that contains tunable parameters. See “Default parameter behavior”.
- Associate a `Simulink.Parameter` object with a structure parameter, and use a storage class other than `Auto`.

```
myStruct = Simulink.Parameter;  
myStruct.Value = struct('number',1,'units',24);  
myStruct.CoderInfo.StorageClass = 'ExportedGlobal';
```

To use `myStruct` in your model, specify a block parameter value as if `myStruct` were a MATLAB variable. For example, to use the field `number` as the value of a block parameter, specify the expression `myStruct.number`.

To access the field values at the command prompt, use the `Value` property of the parameter object.

```
myStruct.Value.number = 2;
```

When you use these methods to declare a structure parameter to be tunable, the numeric fields are tunable in the generated code. However, individual fields that contain nontunable entities, such as a multidimensional array, are not tunable in the code. A structure parameter that you declare to be tunable can contain nontunable numeric fields without affecting the tunability of the other fields.

You cannot use these methods to declare individual substructures or fields within a structure parameter to be tunable. Only the name of the root level of the structure can have a `Simulink.Parameter` object assigned to it.

Tunable structure parameters do not support context-sensitive data typing.

## Control Name of Structure Parameter Type

When you generate code for a model that uses a structure parameter, you can control the name of the corresponding structure type. This control helps you improve code readability and integrate the generated code with your own code.

Suppose that you create a structure parameter `ControlParam` whose fields you use to specify block parameter values in a model.

```
ControlParam = struct(...
    'Gain',15.27,...
    'Offset',127,...
    'InitValue',28.93...
);
```

- 1 Convert the variable `ControlParam` to a `Simulink.Parameter` object. To make `ControlParam` tunable in the generated code, use a storage class other than `Auto`.

```
ControlParam = Simulink.Parameter(ControlParam);
ControlParam.StorageClass = 'ExportedGlobal';
```

- 2 Use the function `Simulink.Bus.createObject` to create a bus object `ParamType` that has the same shape as the structure parameter.

```
busInfo = Simulink.Bus.createObject(ControlParam.Value);
ParamType = eval(busInfo.busName);
```

- 3 Use the bus object to specify the data type of the structure parameter.

```
ControlParam.DataType = 'Bus: ParamType';
```

- 4 Generate code from the model. View the generated file `model_types.h`. The code defines the structure type `ParamType`.

```
typedef struct {
    real_T Gain;
    real_T Offset;
    real_T InitValue;
} ParamType;
```

- 5 View the generated file `model.c`. The code defines the variable `ControlParam` by using the structure type `ParamType`.

```
/* Exported block parameters */
ParamType ControlParam = {
    15.27,
    127.0,
    28.93
};
```

### Import or Export Structure Type Definition

To import the `struct` definition from your own code or to export the definition from the generated code, use the `DataScope` and `HeaderFile` properties of the bus object.

#### Import Type Definition

Suppose that you define the structure type `ParamType` in a custom header file `myTypeHeader.h`. Configure the generated code to import the definition from the file.

- 1 Set the `DataScope` property of the bus object `ParamType` to `'Imported'`. Set the `HeaderFile` property to `'myTypeHeader.h'`.

```
ParamType.DataScope = 'Imported';  
ParamType.HeaderFile = 'myTypeHeader.h';
```

- 2 Generate code from the model. View the generated file `model_types.h`. The code uses a `#include` directive to import the type definition from the file `myTypeHeader.h`.

```
#include "myTypeHeader.h"
```

The generated code does not create a redundant definition of the structure type `ParamType`.

#### Export Type Definition

Export the definition of the structure type `ParamType` to a generated header file `ParamTypeDef.h`.

- 1 Set the `DataScope` property of the bus object `ParamType` to `'Exported'`. Set the `HeaderFile` property to `'ParamTypeDef.h'`.

```
ParamType.DataScope = 'Exported';  
ParamType.HeaderFile = 'ParamTypeDef.h';
```

- 2 Generate code from the model. View the generated file `ParamTypeDef.h`. The code defines the structure type `ParamType`.

```
typedef struct {  
    real_T Gain;  
    real_T Offset;  
    real_T InitValue;  
} ParamType;
```



- 3 View the generated file `model_types.h`. The code uses a `#include` directive to retain the definition of `ParamType`.

```
#include "ParamTypeDef.h"
```

### Related Examples

- “Control Parameter Representation and Declare Tunable Parameters in the Generated Code”
- “Organize Related Block Parameter Definitions in Structures”

## Data Stores in Generated Code

### In this section...

“About Data Stores” on page 6-36

“Storage Classes for Data Store Memory Blocks” on page 6-36

“Data Store Buffering in Generated Code” on page 6-38

### About Data Stores

A data store contains data that is accessible in a model hierarchy at or below the level in which the data store is defined. Data stores can allow subsystems and referenced models to share data without having to use I/O ports to pass the data from level to level. See “Data Stores with Data Store Memory Blocks” for information about data stores in Simulink. This section provides additional information about data store code generation.

### Storage Classes for Data Store Memory Blocks

You can control how Data Store Memory blocks in your model are stored and represented in the generated code by assigning storage classes and type qualifiers. You do this in almost exactly the same way you assign storage classes and type qualifiers for block states.

Data Store Memory blocks, like block states, have `Auto` storage class by default, and their memory is stored within the `DWork` vector. The symbolic name of the storage location is based on the data store name.

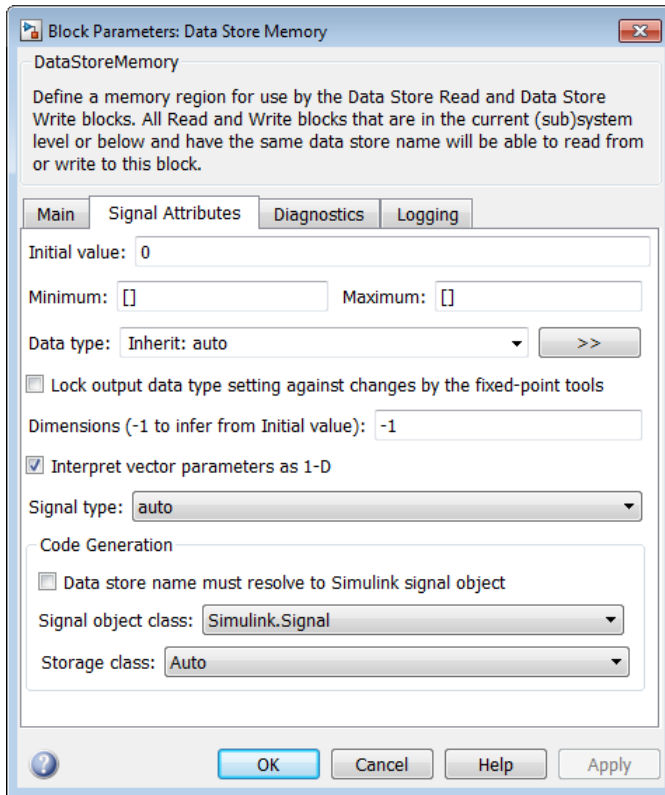
You can generate code from multiple Data Store Memory blocks that have the same data store name, subject to the following restriction: *at most one* of the identically named blocks can have a storage class other than `Auto`. An error is reported if this condition is not met.

For blocks with `Auto` storage class, the Simulink Coder product generates a unique symbolic name for each block to avoid name clashes. For Data Store Memory blocks with storage classes other than `Auto`, the generated code uses the data store name as the symbol.

In the following model, a Data Store Write block writes to memory declared by the Data Store Memory block `myData`:



To control the storage declaration for a Data Store Memory block, use the **Code Generation > Signal object class** and **Code Generation > Storage class** drop-down lists of the Data Store Memory block dialog box. Set **Signal object class** to `Simulink.Signal` (the default), and choose a storage class from the **Storage class** drop-down list. The next figure shows the Data Store Memory block dialog box for the preceding model.



Data Store Memory blocks are nonvirtual because code is generated for their initialization in `.c` and `.cpp` files and their declarations in header files. The following

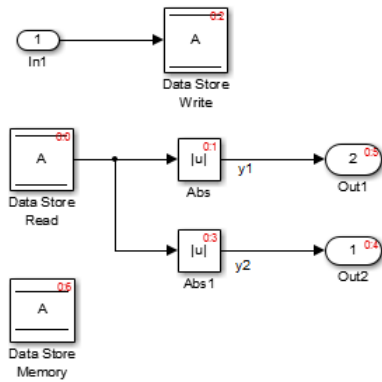
table shows how the code generated for the Data Store Memory block in the preceding model differs for different settings of **Code Generation > Storage class**. The table gives the variable declarations and MdlOutputs code generated for the myData block.

Storage Class	Declaration	Code
Auto or SimulinkGlobal	In <i>model.h</i>  <pre>typedef struct D_Work_tag {     real_T myData; } D_Work;</pre> In <i>model.c</i> or <i>model.cpp</i>  <pre>/* Block states (auto storage) */ D_Work model_DWork;</pre>	<pre>model_DWork.myData = rtb_SineWave;</pre>
ExportedGlobal	In <i>model.c</i> or <i>model.cpp</i>  <pre>/* Exported block states */ real_T myData;</pre> In <i>model.h</i>  <pre>extern real_T myData;</pre>	<pre>myData = rtb_SineWave;</pre>
ImportedExtern	In <i>model_private.h</i>  <pre>extern real_T myData;</pre>	<pre>myData = rtb_SineWave;</pre>
ImportedExternPointer	In <i>model_private.h</i>  <pre>extern real_T *myData;</pre>	<pre>(*myData) = rtb_SineWave;</pre>

## Data Store Buffering in Generated Code

A Data Store Read block is a nonvirtual block that copies the value of the data store to its output buffer when it executes. Since the value is buffered, downstream blocks connected to the output of the data store read utilize the same value, even if a Data Store Write block updates the data store in between execution of two of the downstream blocks.

The next figure shows a model that uses blocks whose priorities have been modified to achieve a particular order of execution:



```

/* local block i/o variables */
real_T rtb_DataStoreRead;

/* DataStoreRead: '<Root>/Data Store Read' */
rtb_DataStoreRead = A; Buffer the value of A

/* Abs: '<Root>/Abs1' incorporates:
 * DataStoreRead: '<Root>/Data Store Read'
 */
y1 = fabs(A); Use A (whose value equals
the buffered value at this point

/* DataStoreWrite: '<Root>/Data Store Write' incorporates:
 * Inport: '<Root>/In1'
 */
A = u1; Update the value of A

/* Abs: '<Root>/Abs' */
y2 = fabs(rtb_DataStoreRead); Consistently use the same buffered
value as before the update to A

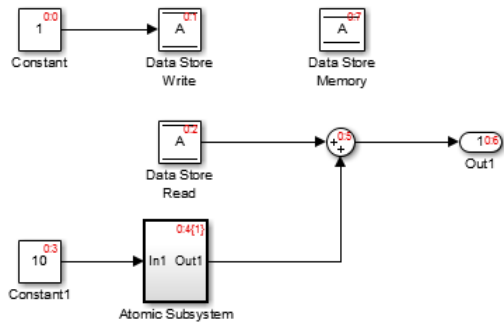
```

The following execution order applies:

- 1 The block Data Store Read buffers the current value of the data store A at its output.
- 2 The block Abs1 uses the buffered output of Data Store Read.
- 3 The block Data Store Write updates the data store.
- 4 The block Abs uses the buffered output of Data Store Read.

Because the output of Data Store Read is a buffer, both Abs and Abs1 use the same value: the value of the data store at the time that Data Store Read executes.

The next figure shows another example:



```

real_T rtb_DataStoreRead;

/* DataStoreWrite: '<Root>/Data Store Write' incorporates:
 * Constant: '<Root>/Constant'
 */
A = DoBufferDSMRead2_P.Constant_Value;

/* DataStoreRead: '<Root>/Data Store Read' */
rtb_DataStoreRead = A; Buffer the value of A

/* Outputs for atomic SubSystem: '<Root>/Atomic Subsystem' */
DoBufferDSMRead_AtomicSubsystem(); We don't do a global analysis to
detect if this function writes to A

/* end of Outputs for SubSystem: '<Root>/Atomic Subsystem' */

/* Output: '<Root>/Out1' incorporates:
 * Sum: '<Root>/Sum'
 */
DoBufferDSMRead2_Y.Out1 = rtb_DataStoreRead + DoBufferDSMRead2_B.Abs; Use the buffered value of A

```

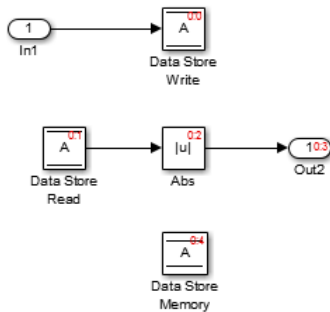
In this example, the following execution order applies:

- 1 The block Data Store Read buffers the current value of the data store A at its output.
- 2 Atomic Subsystem executes.
- 3 The Sum block adds the output of Atomic Subsystem to the output of Data Store Read.

Simulink assumes that Atomic Subsystem might update the data store, so Simulink buffers the data store. Atomic Subsystem executes after Data Store Read buffers its

output, and the buffer provides a way for the Sum block to use the value of the data store as it was when Data Store Read executed.

In some cases, the Simulink Coder code generator determines that it can optimize away the output buffer for a Data Store Read block, and the generated code refers to the data store directly, rather than a buffered value of it. The next figure shows an example:



```

/* Model step function */
void DONTbufferDSMRead_step(void)
{
    /* DataStoreWrite: '<Root>/Data Store Write' incorporates:
     * Inport: '<Root>/In1'
     */
    A = u1;

    /* Abs: '<Root>/Abs' incorporates:
     * DataStoreRead: '<Root>/Data Store Read'
     */
    y2 = fabs(A);
}

```

In the generated code, the argument of the `fabs()` function is the data store `A` rather than a buffered value.

## Related Examples

- “Generate Code for Data Store Memory Blocks” on page 6-42
- “Structures in Generated Code Using Data Stores” on page 6-43
- “When to Use a Data Store”

## Generate Code for Data Store Memory Blocks

If you are not familiar with Simulink data objects and signal objects, read “Signal Representation in Generated Code” on page 6-92 before reading this section.

You can associate a **Data Store Memory** block with a signal object, and control code generation for the block through the signal object. To do this:

- 1 Instantiate the desired signal object.
- 2 Set the object's `CoderInfo.StorageClass` property to indicate the desired storage class.
- 3 Open the block dialog box for the **Data Store Memory** block that you want to associate with the signal object.
- 4 Enter the name of the signal object in the **Data store name** field.
- 5 Select **Data store name must resolve to Simulink signal object**.
- 6 *Do not* set the storage class field to a value other than `Auto` (the default).
- 7 Click **OK** or **Apply**.

---

**Note** When a **Data Store Memory** block is associated with a signal object, the mapping between the **Data store name** and the signal object name must be one-to-one. If two or more identically named entities map to the same signal object, the name conflict is flagged as an error at code generation time. See “Resolve Conflicts in Configuration of Signal Objects” on page 6-110 for more information.

---

### See Also

`Simulink.Signal`

### Related Examples

- “Structures in Generated Code Using Data Stores” on page 6-43
- “Data Stores in Generated Code” on page 6-36
- “When to Use a Data Store”



## Structures in Generated Code Using Data Stores

If you use more than one data store to provide global access to multiple signals in generated code, you can combine the signals into a single structure variable by using one data store. This combination of signal data can help you integrate the code generated from a model with other existing code that requires the data in a structure format.

This example shows how to store several model signals in a structure in generated code using a single data store. To store multiple signals in a data store, you configure the data store to accept a composite signal, such as a nonvirtual bus signal or an array of nonvirtual bus signals.

### Explore Example Model

- 1 Open the example model `ex_bus_struct_in_code`.

The model contains three subsystems that perform calculations on the inputs from the top level of the model. In each subsystem, a `Data Store Memory` block stores an intermediate calculated signal.

- 2 Generate code with the model. In the code generation report, view the file `ex_bus_struct_in_code.c`. The code defines a global variable for each data store.

```
real_T BioBTURate;  
real_T CoalBTURate;  
real_T GasBTURate;
```

Suppose that you want to integrate code generated from the example model with other existing code. Suppose also that the existing code requires access to all of the data from the three data stores in a single structure variable. You can use a data store to assemble all of the target data in a structure in generated code.

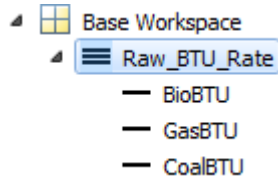
### Configure Data Store

Configure a data store to contain multiple signals by creating a bus type to use as the data type of the data store. Define the bus type using the same hierarchy of elements as the structure that you want to appear in generated code.

- 1 Open the Bus Editor tool.

```
buseditor
```

- 2 Define a new bus type `Raw_BTU_Rate` with one element for each of the three target signals. Name the elements `BioBTU`, `GasBTU`, and `CoalBTU`.

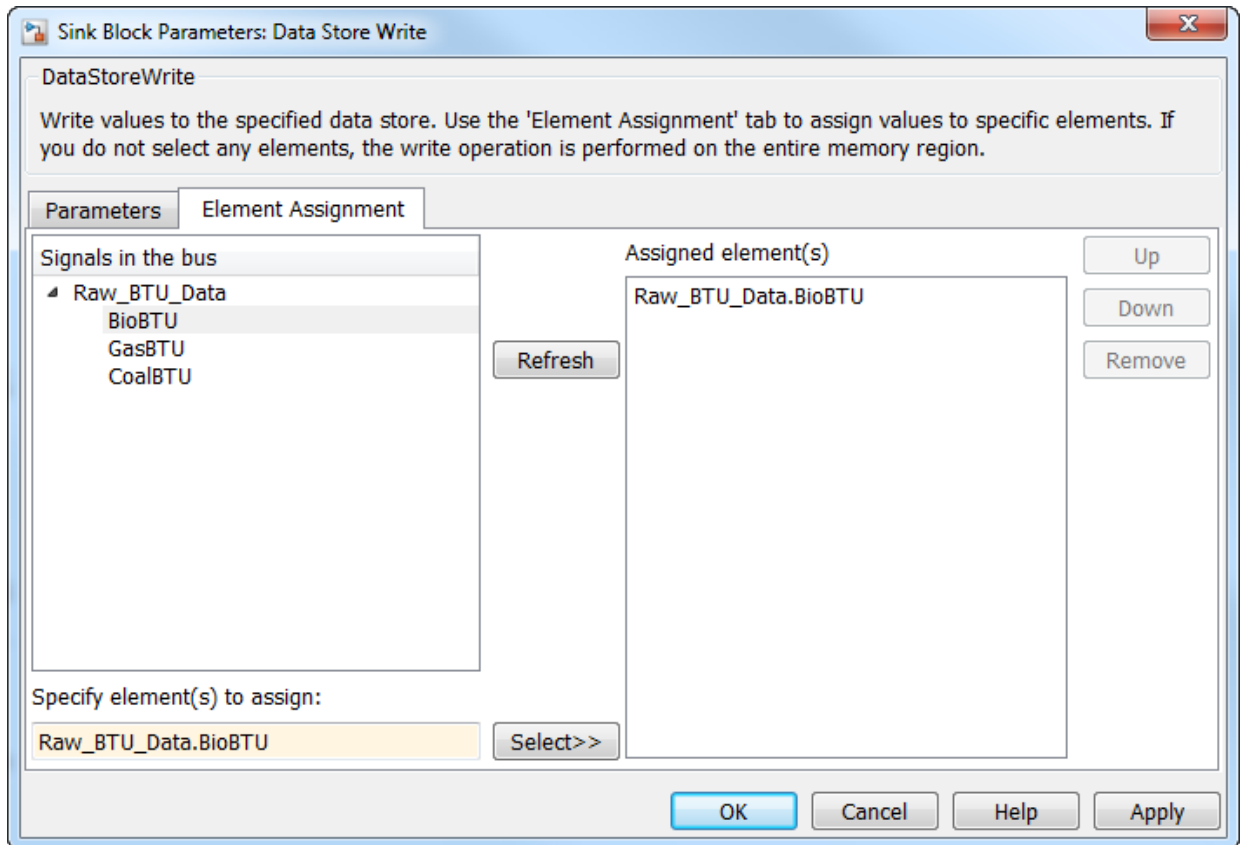


- 3 At the top level of the example model, add a `Data Store Memory` block.
- 4 In the block dialog box, set **Data store name** to `Raw_BTU_Data`. Click **Apply**.
- 5 On the **Signal Attributes** tab, set **Data type** to `Bus: Raw_BTU_Rate`.
- 6 Under **Code Generation**, set **Storage class** to `ExportedGlobal`.

### Write to Data Store Elements

To write to a specific element of a data store, use a `Data Store Write` block. On the **Element Assignment** tab in the dialog box, you can specify to write to a single element, a collection of elements, or the entire contents of a data store.

- 1 Open the **Biomass Calc** subsystem.
- 2 Delete the `Data Store Memory` block `BioBTURate`.
- 3 In the block dialog box for the `Data Store Write` block, set **Data store name** to `Raw_BTU_Data`.
- 4 On the **Element Assignment** tab, under **Signals in the bus**, expand the contents of the data store `Raw_BTU_Data`. Click the element `BioBTU`, and then click **Select**. Click **OK**.



- 5 Modify the **Gas Calc** and **Coal Calc** subsystems similarly.
  - Delete the **Data Store Memory** block in each subsystem.
  - In each **Data Store Write** block dialog box, set **Data store name** to `Raw_BTU_Data`.
  - In the **Gas Calc** subsystem, use the **Data Store Write** block to write to the data store element `GasBTU`. In the **Coal Calc** subsystem, write to the element `CoalBTU`.

## Generate Code with Data Store Structure

- 1 Generate code for the example model.
- 2 In the code generation report, view the file `ex_bus_struct_in_code_types.h`. The code defines a structure that corresponds to the bus type `Raw_BTU_Rate`.

```
typedef struct {  
    real_T BioBTU;  
    real_T GasBTU;  
    real_T CoalBTU;  
} Raw_BTU_Rate;
```

- 3 View the file `ex_bus_struct_in_code.c`. The code represents the data store with a global variable `Raw_BTU_Data` of the structure type `Raw_BTU_Rate`. In the model step function, the code assigns the data from the calculated signals to the fields of the global variable `Raw_BTU_Data`.

## See Also

[Data Store Read](#) | [Data Store Memory](#) | [Data Store Write](#) | [Simulink.Bus](#)

## Related Examples

- “Generate Code for Data Store Memory Blocks” on page 6-42
- “Data Stores with Buses and Arrays of Buses”
- “Access Data Stores with Simulink Blocks”
- “When to Use a Data Store”
- “About Data Stores” on page 6-36

## Specify Single Precision

When you want code that uses only single precision, such as when you are targeting a single-precision processor, in the Configuration Parameters dialog box, on the **Optimization** pane, set the **Default for underspecified data type** parameter to **single**. This setting prevents the introduction of **double** data types. When you do not specify a data type explicitly, both simulation and the code generator use **single**.

For more information, see “Default for underspecified data type”.

### Related Examples

- “Validate a Floating-Point Embedded Model”
- “Data Type Replacement” on page 8-29
- “About Data Types in Simulink”

## Parameter Storage in the Generated Code

This section discusses how the Simulink Coder product generates parameter storage declarations, and how you can generate the storage declarations you need to interface block parameters to your code. For information about defining block parameters in Simulink models, see “Set Block Parameter Values”.

If you are using S-functions in your model and intend to tune their run-time parameters in the generated code, see “Tuning Run-Time Parameters” in the Simulink documentation. Note that

- Parameters must be numeric, logical, or character arrays.
- Parameters may not be sparse.
- Parameter arrays must not be greater than 2 dimensions.

For guidance on implementing a parameter tuning interface using a C API, see “Exchange Data Between Generated and External Code Using C API”.

For information on ASAP2 parameter tuning, see “Export ASAP2 File for Data Measurement and Calibration”.

Simulink external mode offers a way to monitor signals and modify parameter values while generated model code executes. However, external mode might not be the optimal solution for your application. For example, the S-function target does not support external mode. For other targets, you might want your existing code to access parameters and signals of a model directly, rather than using the external mode communications mechanism. For information on external mode, see “Set Up and Use Host/Target Communication Channel”.

### Default Parameter Storage

When you set **Configuration Parameters > Optimization > Signals and parameters > Default parameter behavior** to **Tunable** (the default for GRT targets), the generated code allocates memory to represent numeric block parameters such as the **Gain** parameter of a **Gain** block. Therefore, you can tune the block parameter values during code execution.

If you use numeric expressions, such as **3.57** or **5/2**, to specify block parameter values in the model, each block parameter appears in the generated code as a tunable field of the

global parameters structure `model_P`. The code generator initializes each field by using the corresponding block parameter value from the model.

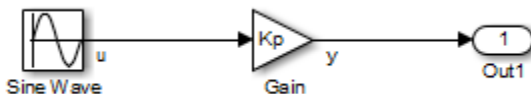
*Workspace variables* are variables that you use to specify block parameter values in a model. Workspace variables include numeric MATLAB variables and Simulink.Parameter objects that you store in a workspace, such as the base workspace, or a data dictionary.

When you set **Default parameter behavior** to **Tunable**, workspace variables that use the storage class **Auto** appear in the generated code as tunable fields of the global parameters structure. If you use such a variable to specify multiple block parameter values, the variable appears as a single field of the global parameters structure. The code does not create multiple fields to represent the block parameters. Therefore, tuning the field value during code execution changes the mathematical behavior of the model in the same way as tuning the value of the MATLAB variable or parameter object during simulation.

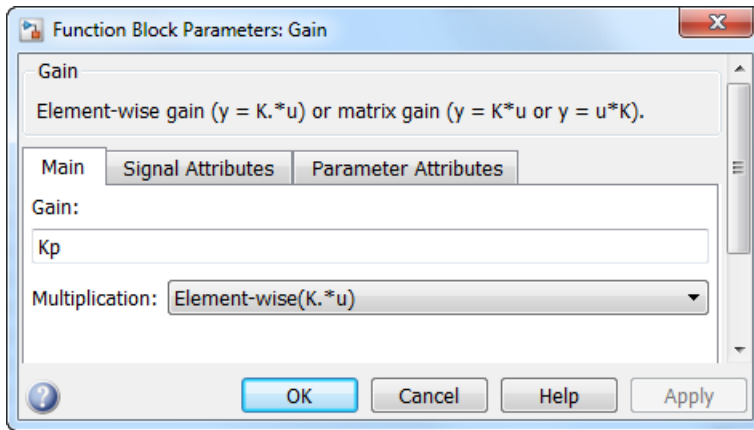
When you set **Default parameter behavior** to **Inlined** (the default for ERT targets), the generated code algorithm inlines the numeric values of block parameters. Therefore, you cannot tune the block parameters during code execution. Workspace variables that use the storage class **Auto**, such as numeric MATLAB variables, also appear in the generated code as inlined constants.

However, the code cannot represent some parameters, such as arrays, as inlined constants. These parameters appear as fields of a global structure that contains constant-valued, nontunable parameters.

As an example of default parameter storage, consider the following model.



The workspace variable `Kp` sets the gain of the `Gain` block.



Assume that `Kp` uses the storage class `Auto` and has a value of 5.0. The table shows the variable declarations and the code generated for `Kp` in the noninlined and inlined cases.

The noninlined code represents the gain of the `Gain` block as `model_P.Gain_Gain`. When `Kp` is noninlined, the parameter is tunable.

Default parameter behavior	Generated Variable Declaration and Code
Tunable	<pre> struct Parameters_non_tunable_sin {     real_T SineWave_Amp;     real_T SineWave_Bias;     real_T SineWave_Freq;     real_T SineWave_Phase;     real_T Kp; }; . . . Parameters_non_tunable_sin non_tunable_sin_P = {     1.0 , /* SineWave_Amp : '&lt;Root&gt;/Sine Wave' */     0.0 , /* SineWave_Bias : '&lt;Root&gt;/Sine Wave' */     1.0 , /* SineWave_Freq : '&lt;Root&gt;/Sine Wave' */     0.0 , /* SineWave_Phase : '&lt;Root&gt;/Sine Wave' */     5.0 /* Kp : '&lt;Root&gt;/Gain' */ }; . . </pre>



Default parameter behavior	Generated Variable Declaration and Code
	<pre> non_tunable_sin_Y.Out1 = rtb_u * non_tunable_sin_P.Kp; </pre>
Inlined	<pre> non_tunable_sin_Y.Out1 = rtb_u * 5.0; </pre>

## Tunable Parameter Storage

A *tunable parameter* is a MATLAB variable or `Simulink.Parameter` object that you declare to be tunable. When you use the variable or parameter object to specify block parameter values in a model, the block parameters are inherently noninlined in the generated code. Whether you set **Default parameter behavior** to **Tunable** or **Inlined**, tunable parameters appear in the generated code as global variables or structure fields that you can tune during code execution.

When you declare a parameter tunable, you control whether or not the parameter is stored within `model_P`. You also control the symbolic name of the parameter in the generated code.

When you declare a parameter tunable, you specify

- The *storage class* of the parameter.

The storage class property of a parameter specifies how the Simulink Coder product declares the parameter in generated code.

The term “storage class,” as used in the Simulink Coder product, is not synonymous with the term *storage class specifier*, as used in the C language.

- (Implicitly) the symbolic name of the variable or field in which the parameter is stored. The Simulink Coder product derives variable and field names from the names of tunable parameters.

The Simulink Coder product generates a variable or `struct` storage declaration for each tunable parameter. Your choice of storage class controls whether the parameter is declared as a member of `model_P` or as a separate global variable.

You can use the generated storage declaration to make the variable visible to external legacy code. You can also make variables declared in your code visible to the generated code. You are responsible for linking your code to generated code modules.

You can use tunable parameters or expressions in your root model and in masked or unmasked subsystems, subject to certain restrictions. (See “Tunable Expressions” on page 6-53.)

To declare tunable parameters by using parameter objects, see “Control Parameter Representation and Declare Tunable Parameters in the Generated Code”.

### **Related Examples**

- “Control Parameter Representation and Declare Tunable Parameters in the Generated Code” on page 6-70
- “Set Block Parameter Values”
- “Control Parameter Data Types in the Generated Code” on page 6-62
- “Inline Numeric Values of Block Parameters” on page 26-41
- “Default Data Structures in the Generated Code”
- “Tunable Expressions” on page 6-53
- “Parameter Object Configuration Quick Reference Diagram” on page 6-80
- “Switch Between Sets of Parameter Values During Simulation and Code Execution” on page 6-82

# Tunable Expressions

## In this section...

“Expression Tunability in Generated Code” on page 6-53

“Tunable Expressions in Masked Subsystems” on page 6-57

“Tunable Expression Limitations” on page 6-59

You can specify block parameter values as expressions that contain tunable workspace variables. An expression that contains one or more tunable variables is called a *tunable expression*. You can use tunable variables and expressions to control the behavior of the generated code during execution. For basic information about tunable parameters in the generated code, see “Tunable Parameter Storage”.

## Expression Tunability in Generated Code

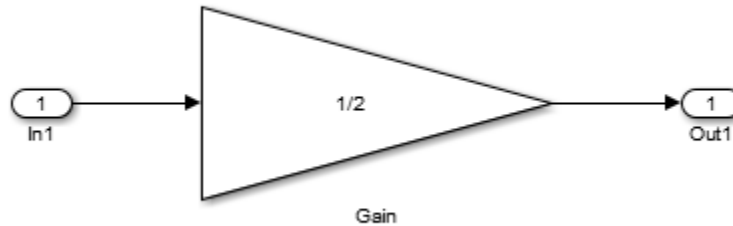
To control the tunability of expressions that you use to specify block parameter values, adjust these settings:

- **Configuration Parameters > Optimization > Signals and Parameters > Default parameter behavior.**
- The tunability of individual variables in the expressions.

## Numeric Expressions

An expression that does not contain any variables, such as  $1/2$ , is a *numeric expression*.

If you set **Default parameter behavior** to **Tunable**, the generated code represents block parameters as fields of the global parameters structure. If you use a numeric expression in a block parameter, the value of the structure field is the numeric result of the expression. For example, consider the model `ex_tunable_expressions`.



In the **Gain** block dialog box, the parameter **Gain** is specified as the expression  $1/2$ . In the generated code, the block parameter appears as a field of the global parameters structure with numeric value  $0.5$ . The algorithm in the model **step** function uses the structure field `ex_tunable_expressions_P.Gain_Gain`.

```
ex_tunable_expressions_Y.Out1 = ex_tunable_expressions_P.Gain_Gain *
ex_tunable_expressions_U.In1;
```

If you set **Default parameter behavior** to **Inlined**, the code represents block parameters as numeric values. In the generated code, the block parameter does not appear as a structure field, and the code algorithm uses the literal value  $0.5$ .

```
ex_tunable_expressions_Y.Out1 = 0.5 *
ex_tunable_expressions_U.In1;
```

### Expressions Containing Variables

The tunability of an expression that contains variables depends on the tunability of the individual variables.

#### Parameters with Storage Class **Auto**

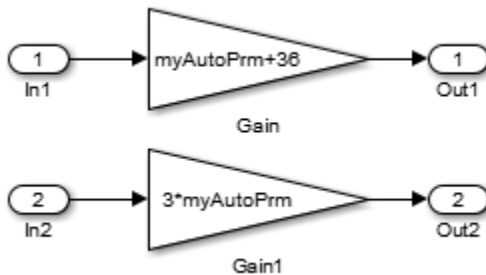
The tunability of expressions that contain variables that use the storage class **Auto**, including numeric MATLAB variables, depends on the setting that you choose for the configuration parameter **Configuration Parameters > Optimization > Signals and Parameters > Default parameter behavior**.

If you set **Default parameter behavior** to **Inlined**, the code generator replaces the variables in the expression with their numeric values. Therefore, the code generator

treats the expression as a numeric expression. The block parameter does not appear as a structure field, and the code algorithm uses the literal numeric result of the expression.

If you set **Default parameter behavior** to **Tunable**, each variable appears as a field of the global parameters structure. The code preserves the expression that you specify in the block parameter.

If you use one variable in multiple expressions in different block parameters, the code preserves the expressions and represents the variable as a single field of the global parameters structure. For example, consider the model `ex_Auto_exprs`.



`myAutoPrm` is a numeric MATLAB variable in the base workspace. If you set **Default parameter behavior** to **Tunable**, `myAutoPrm` appears as a field of the global parameters structure. The code algorithm preserves the expressions in the **Gain** block dialog boxes.

```
ex_Auto_exprs_Y.Out1 = (ex_Auto_exprs_P.myAutoPrm + 36.0) *
    ex_Auto_exprs_U.In1;
```

```
ex_Auto_exprs_Y.Out2 = 3.0 * ex_Auto_exprs_P.myAutoPrm *
    ex_Auto_exprs_U.In2;
```

For more information about storage of parameters that use the storage class `Auto`, see “Default Parameter Storage” on page 6-48.

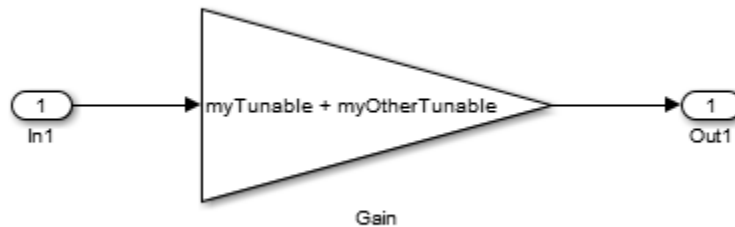
### Tunable Variables

*Tunable variables* include:

- Parameter objects that use a storage class other than `Auto`.

- Numeric MATLAB variables that you declare to be tunable through the Model Parameter Configuration dialog box.

If you use an expression that contains only tunable variables, the generated code preserves the expression in the code algorithm. For example, consider the model `ex_tunable_expressions`.



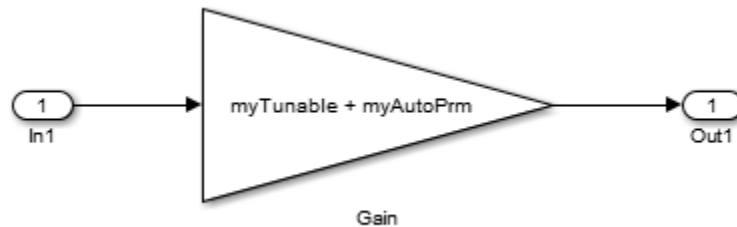
The variables `myTunable` and `myOtherTunable` are `Simulink.Parameter` objects that use these property values.

Parameter Object Name	StorageClass Property	Value Property
<code>myTunable</code>	<code>ExportedGlobal</code>	<code>0.75</code>
<code>myOtherTunable</code>	<code>ExportedGlobal</code>	<code>2.7</code>

The generated code represents the tunable parameter objects `myTunable` and `myOtherTunable` as individual variables. The algorithm preserves the expression `myTunable + myOtherTunable`.

```
ex_tunable_expressions_Y.Out1 = (myTunable + myOtherTunable) *
ex_tunable_expressions_U.In1;
```

If you use an expression that contains both tunable variables and variables that use the storage class `Auto`, the expression tunability depends on the setting that you specify for **Default parameter behavior**. For example, consider the model `ex_tunable_expressions`.



The variables `myTunable` and `myAutoPrm` are `Simulink.Parameter` objects that use these property values.

Parameter Object Name	StorageClass Property	Value Property
<code>myTunable</code>	<code>ExportedGlobal</code>	<code>0.75</code>
<code>myAutoPrm</code>	<code>Auto</code>	<code>1.3</code>

If you specify **Default parameter behavior** as `Tunable`, the generated code represents the tunable parameter object `myTunable` as a global variable. The code represents the variable `myAutoPrm` as a tunable field of the global parameters structure. The code algorithm preserves the expression `myTunable + myAutoPrm`.

```
ex_tunable_expressions_Y.Out1 = (myTunable +
    ex_tunable_expressions_P.myAutoPrm) * ex_tunable_expressions_U.In1;
```

If you specify **Default parameter behavior** as `Inlined`, the code represents `myTunable` as a global variable, and inlines the numeric value of `myAutoPrm`.

```
ex_tunable_expressions_Y.Out1 = (myTunable + 1.3) *
    ex_tunable_expressions_U.In1;
```

For more information about tunable variable storage, see “Tunable Parameter Storage” on page 6-51.

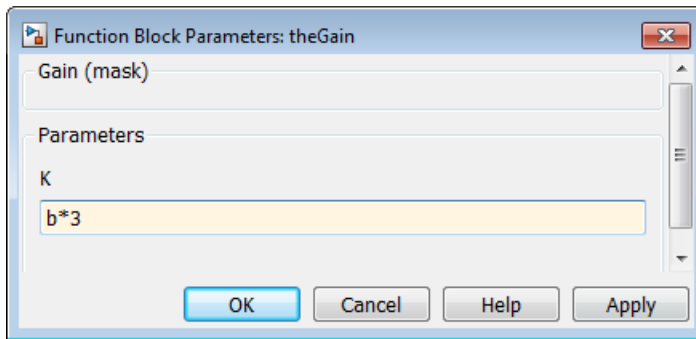
## Tunable Expressions in Masked Subsystems

Tunable expressions are allowed in masked subsystems. You can use tunable variable names or tunable expressions in a masked subsystem dialog box. When referenced in lower-level subsystems, such variables remain tunable.

As an example, consider the masked subsystem in the next figure. The masked variable `K` sets the **Gain** parameter of the `theGain` block.



Suppose that the base workspace variable `b` is declared tunable with `SimulinkGlobal (Auto)` storage class. The next figure shows the tunable expression `b*3` in the subsystem's mask dialog box.



### Tunable Expression in Subsystem Mask Dialog Box

The Simulink Coder product produces the following output computation for `theGain`. The variable `b` is represented as a member of the global parameters structure, `model_P`. (For clarity in showing the individual `Gain` block computation, expression folding is off in this example.)

```
/* Gain: '<S1>/theGain' */
rtb_theGain_C = rtb_SineWave_n * ((subsys_mask_P.b * 3.0));

/* Outputport: '<Root>/Out1' */
subsys_mask_Y.Out1 = rtb_theGain_C;
```

As this example shows, for GRT targets, the parameter structure is mangled to create the structure identifier `model_P` (subject to the identifier length constraint). This is done to avoid namespace clashes in combining code from multiple models using model reference. ERT-based targets provide ways to customize identifier names.



When expression folding is on, the above code condenses to

```
/* Output: '<Root>/Out1' incorporates:
 * Gain: '<S1>/theGain'
 */
subsys_mask_Y.Out1 = rtb_SineWave_n * ((subsys_mask_P.b * 3.0));
```

Expressions that include variables that were declared or modified in mask initialization code are *not* tunable.

As an example, consider the subsystem above, modified as follows:

- The mask initialization code is

```
t = 3 * K;
```

- The **Gain** parameter of the **theGain** block is  $4 + t$ .
- Workspace variable  $b = 2$ . The expression  $b * 3$  is plugged into the mask dialog box as in the preceding figure.

Since the mask initialization code can run only once, the **Gain** parameter of the **theGain** block is evaluated at code generation time as

```
4 + (3 * (2 * 3) )
```

The Simulink Coder product inlines the result. Therefore, despite the fact that **b** was declared tunable, the code generator produces the following output computation for **theGain**. (For clarity in showing the individual Gain block computation, expression folding is off in this example.)

```
/* Gain Block: <S1>/theGain */
rtb_temp0 *= (22.0);
```

## Tunable Expression Limitations

Currently, there are certain limitations on the use of tunable variables in expressions. When an unsupported expression is encountered during code generation a warning is issued and the equivalent numeric value is generated in the code. The limitations on tunable expressions are

- Complex expressions are not supported, except where the expression is simply the name of a complex variable.
- The use of certain operators or functions in expressions containing tunable operands is restricted. Restrictions are applied to four categories of operators or functions, classified in the following table:

Category	Operators or Functions
1	+ - .* ./ < > <= >= == ~= &
2	* /
3	abs, acos, asin, atan, atan2, boolean, ceil, cos, cosh, exp, floor, log, log10, sign, sin, sinh, sqrt, tan, tanh
4	single, int8, int16, int32, uint8, uint16, uint32
5	: .^ ^ [] {} . \ .\ ' .' , ;

The rules applying to each category are as follows:

- Category 1 is unrestricted. These operators can be used in tunable expressions with a combination of scalar or vector operands.
- Category 2 operators can be used in tunable expressions where at least one operand is a scalar. That is, scalar/scalar and scalar/matrix operand combinations are supported, but not matrix/matrix.
- Category 3 lists functions that support tunable arguments. Tunable arguments passed to these functions retain their tunability. Tunable arguments passed to other functions lose their tunability.
- Category 4 lists the casting functions that do not support tunable arguments. Tunable arguments passed to these functions lose their tunability.

---

**Note:** The Simulink Coder product casts values using MATLAB typecasting rules. The MATLAB typecasting rules are different from C code typecasting rules. For example, using the MATLAB typecasting rules, `int8(3.7)` returns the result 4, while in C code `int8(3.7)` returns the result 3.

---

- Category 5 operators are not supported.
- Mask parameters are not tunable if they are hidden or disabled.
- Expressions that include variables that were declared or modified in mask initialization code are *not* tunable.
- The Fcn and If blocks do not support tunable expressions in code generation or in referenced models.
- Model workspace parameters can take on only the `Auto` storage class, and thus are not tunable. See “Parameterize Model References” for tuning techniques that work with referenced models.

- Non-double expressions are not supported.
- Blocks that access parameters only by address support the use of tunable parameters, if the parameter expression is a simple variable reference. When an operation such as a data type conversion or a math operation is applied, the Simulink Coder product creates a nontrivial expression that cannot be accessed by address, resulting in an error during the build process.

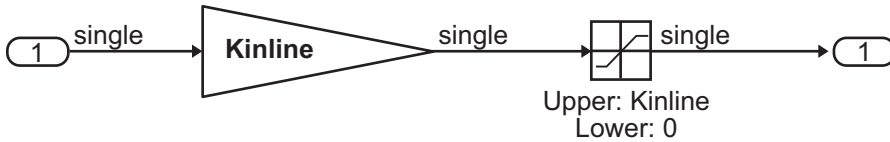
### **Related Examples**

- “Control Parameter Representation and Declare Tunable Parameters in the Generated Code” on page 6-70
- “Control Parameter Data Types in the Generated Code” on page 6-62
- “Parameter Storage in the Generated Code” on page 6-48
- “Parameter Object Configuration Quick Reference Diagram” on page 6-80

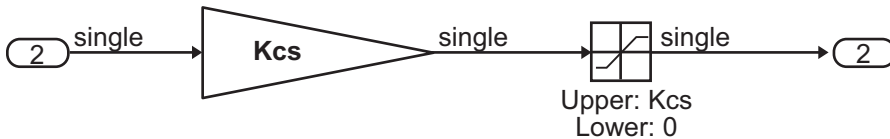
## Control Parameter Data Types in the Generated Code

For an example of the code generated from Simulink parameters with different data types, run the model `rtwdemo_paramdt`. This model shows options that are available for controlling the data type of tunable parameters in the generated code. The model's subsystem includes several instances of **Gain** blocks feeding **Saturation** blocks. Each pair of blocks uses a workspace variable of a particular data type, as shown in the next figure.

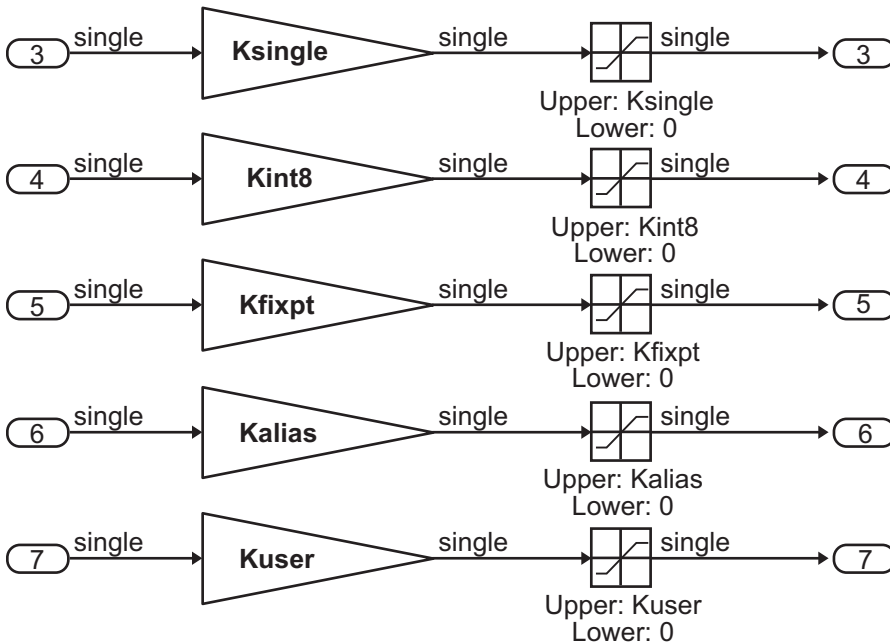
Inlined parameters (InLineParameters ON + Auto storage class)  
 ==> numeric value inlined



Double-precision (context-sensitive) parameters  
 ==> tunable parameter inherits data type from run-time parameter



Tunable parameters with explicit data type specification  
 ==> parameter is cast to run-time parameter data type in generated code



The Simulink engine initializes the parameters in the model by executing the script `rtwdemo_paramdt_data.m`. You can view the initialization script and inspect the workspace variables in Model Explorer by double-clicking the yellow boxes in the model.

In the model, on the Configuration Parameters dialog box **Optimization > Signals and Parameters** pane, **Default parameter behavior** is set to **Inlined**. The **Model Parameter Configuration** dialog box reveals that base workspace variables (with the exception of **Kinline**) have their **Storage class** property set to **ExportedGlobal**. Consequently, **Kinline** is a nontunable parameter while the remaining variables are tunable parameters.

To generate code for the model, double-click the blue boxes. The following table shows both the MATLAB code used to initialize parameters and the code generated for each parameter in the `rtwdemo_paramdt` model.

Parameter & MATLAB Code	Generated Variable Declaration and Code
<p><b>Kinline</b></p> <p><code>Kinline = 2;</code></p>	<pre> u0 = 2.0F * rtwdemo_paramdt_U.In1; . . if (u0 &gt; 2.0F) {     rtwdemo_paramdt_Y.Out1 = 2.0F; } else if (u0 &lt; 0.0F) {     rtwdemo_paramdt_Y.Out1 = 0.0F; } else {     rtwdemo_paramdt_Y.Out1 = u0; }                     </pre>
<p><b>Kcs</b></p> <p><code>Kcs = 3;</code></p>	<pre> real32_T Kcs = 3.0F; . . u0 = Kcs * rtwdemo_paramdt_U.In2; . . if (u0 &gt; Kcs) {     rtwdemo_paramdt_Y.Out2 = Kcs; } else if (u0 &lt; 0.0F) {     rtwdemo_paramdt_Y.Out2 = 0.0F; } else {     rtwdemo_paramdt_Y.Out2 = u0; }                     </pre>
<p><b>Ksingle</b></p> <p><code>Ksingle = single(4);</code></p>	<pre> real32_T Ksingle = 4.0F; . . u0 = Ksingle * rtwdemo_paramdt_U.In3; . . if (u0 &gt; Ksingle) {     rtwdemo_paramdt_Y.Out3 = Ksingle; } else if (u0 &lt; 0.0F) {     rtwdemo_paramdt_Y.Out3 = 0.0F; } else {     rtwdemo_paramdt_Y.Out3 = u0; }                     </pre>

Parameter & MATLAB Code	Generated Variable Declaration and Code
<b>Kint8</b> Kint8 = int8(5);	<pre> int8_T Kint8 = 5; . . u0 = (real32_T)Kint8 * rtwdemo_paramdt_U.In4; . . if (u0 &gt; Kint8) {     rtwdemo_paramdt_Y.Out4 = Kint8; } else if (u0 &lt; 0.0F) {     rtwdemo_paramdt_Y.Out4 = 0.0F; } else {     rtwdemo_paramdt_Y.Out4 = u0; } </pre>
<b>Kfixpt</b> Kfixpt = Simulink.Parameter; Kfixpt.Value = 6; Kfixpt.DataType = ... 'fixdt(true, 16, 2^-5, 0)'; Kfixpt.CoderInfo.StorageClass = ... 'ExportedGlobal';	<pre> int16_T Kfixpt = 192; . . u0 = (real32_T)Kfixpt * 0.03125F * rtwdemo_paramdt_U.In5; . . u2 = (real32_T)Kfixpt * 0.03125F; if (u0 &gt; u2) {     rtwdemo_paramdt_Y.Out5 = u2; } else if (u0 &lt; 0.0F) {     rtwdemo_paramdt_Y.Out5 = 0.0F; } else {     rtwdemo_paramdt_Y.Out5 = u0; } </pre>
<b>Kalias</b> aliasType = ... Simulink.AliasType('single'); Kalias = Simulink.Parameter; Kalias.Value = 7; Kalias.DataType = 'aliasType'; Kalias.CoderInfo.StorageClass = ... 'ExportedGlobal';	<pre> typedef real32_T aliasType; . . aliasType Kalias = 7.0F; . . u0 = Kalias * rtwdemo_paramdt_U.In6; . . if (u0 &gt; Kalias) {     rtwdemo_paramdt_Y.Out6 = Kalias; } else if (u0 &lt; 0.0F) {     rtwdemo_paramdt_Y.Out6 = 0.0F; } else {     rtwdemo_paramdt_Y.Out6 = u0; } </pre>

Parameter & MATLAB Code	Generated Variable Declaration and Code
<pre> <b>Kuser</b> userType = Simulink.NumericType; userType.DataTypeMode = ... 'Fixed-point: slope and bias scaling'; userType.Slope = 2^-3; userType.isAlias = true; Kuser = Simulink.Parameter; Kuser.Value = 8; Kuser.DataType = 'userType'; Kuser.CoderInfo.StorageClass = ... 'ExportedGlobal'; </pre>	<pre> typedef int16_T userType; . . userType Kuser = 64; . . u0 = (real32_T)Kuser * 0.125F * rtwdemo_paramdt_U.In7; . . u2 = (real32_T)Kuser * 0.125F; if (u0 &gt; u2) {     rtwdemo_paramdt_Y.Out7 = u2; } else if (u0 &lt; 0.0F) {     rtwdemo_paramdt_Y.Out7 = 0.0F; } else {     rtwdemo_paramdt_Y.Out7 = u0; } </pre>

The salient features of the code generated for this model are as follows:

- The Simulink Coder product inlines parameters that use the storage class `Auto`, for example, `Kinline`. However, the product does not inline tunable parameters, such as `Kcs`, `Ksingle`, and `Kint8`.
- The Simulink engine treats tunable parameters of data type `double` in a context-sensitive manner, such that the parameter inherits its data type from the context in which the block uses it. For example, `Kcs` inherits a `single` data type from the Gain block's input signal.
- If a parameter's data type matches that of the block's run-time parameter, the block can use the tunable parameter without transformation. Consequently, the Simulink Coder product need not cast the parameter from one data type to another, as illustrated by `Ksingle` and `Kalias`. However, if a parameter's data type does not match that of the block's run-time parameter, the block cannot readily compute its output. In this case, the product casts parameters to the relevant data type. For example, `Kint8`, `Kfixpt`, and `Kuser` require casts to a `single` data type for compatibility with the input signals to the Gain and Saturation blocks.
- If you are using an ERT target and a parameter specifies a data type alias, for example, created by an instance of the `Simulink.AliasType` class, its variable definition in the generated code uses the alias data type. For example, the Simulink Coder product declares `Kalias` and `Kuser` to be of data types `aliasType` and `userType`, respectively.
- If a parameter specifies a fixed-point data type, the Simulink Coder product initializes its value in the generated code to the value of  $Q$  computed from the expression  $V = SQ + B$  (see the Fixed-Point Designer documentation for more information about fixed-point semantics and notation), where



- V is a real-world value
- Q is an integer that encodes V
- S is the slope
- B is the bias

For example, `Kfixpt` has a real-world value of 6, slope of  $2^5$ , and bias of 0. Consequently, the product declares the value of `Kfixpt` to be 192.

## Tunable Parameter Data Type Considerations

If you are using tunable parameters, you need to be aware of potential issues regarding data types. A workspace variable is tunable when it uses a storage class other than `Auto`.

When generating code for tunable parameters, the Simulink Coder product checks and compares the data types used for a particular parameter in the workspace and in Block Parameter dialog boxes.

If...	The Simulink Coder Product...
The data types match	Uses that data type for the parameter in the generated code.
You do not explicitly specify a data type other than <code>double</code> in the workspace	Uses the data type specified by the block in the generated code. If multiple blocks share a parameter, they must specify the same data type. If the data type varies between blocks, the product generates an error similar to the following:  Variable 'K' is used in incompatible ways in the dialog fields of the following: cs_params/Gain, cs_params/Gain1. The variable 'value' is being used both directly and after a transformation. Only one of these usages is permitted for any given variable.
You explicitly specify a data type other than <code>double</code> in the workspace	Uses the data type from the workspace for the parameter. The block typecasts the parameter to the block specific data type before using it.

## Guidelines for Specifying Data Types

The following table provides guidelines on specifying data types for tunable workspace variables.

If You Want to	Then Specify Data Types in
Minimize memory usage ( <code>int8</code> instead of <code>single</code> )	The workspace explicitly
Avoid typecasting	Blocks only
Interface to legacy or custom code	The workspace explicitly
Use the same parameter for multiple blocks that specify different data types	The workspace explicitly

The Simulink Coder product enforces limitations on the use of data types other than `double` in the workspace, as described in “Limitations on Data Type Specifications in Workspace” on page 6-69.

## Tunable Parameters and Best-Precision Fixed-Point Scaling

To apply best-precision fixed-point scaling to a tunable block parameter or parameter object, you can use the Fixed-Point Tool to autoscale an entire system or use the Data Type Assistant to configure individual parameters or objects. See “Calculate Best-Precision Fixed-Point Scaling for Tunable Block Parameters”.

If a tunable parameter uses best-precision fixed-point scaling, Simulink chooses a data type based on the minimum and maximum values that you specify for the parameter. You can specify these values in the block dialog box that uses the parameter or in the properties of a `Simulink.Parameter` object.

If you do not specify a minimum or maximum, Simulink chooses a data type based on the value of the parameter. The chosen scaling might restrict the range of possible tuning values. Therefore, it is a best practice to specify minimum and maximum values for each tunable parameter.

A tunable parameter can use best-precision scaling even if you do not specify it in the parameter data type. For example, the `Gain` block can choose a best-precision scaling if the **Parameter data type** in the block dialog box is set to `Inherit: Inherit via internal rule`. This setting is the default for the block.

### Limitations on Data Type Specifications in Workspace

When you explicitly specify a data type other than `double` in the workspace, blocks typecast the parameter to a corresponding data type. This issue is an issue for blocks that use pointer access for their parameters. Blocks cannot use pointer access if they need to typecast the parameter before using it (because of a data type mismatch). Another case in which this issue occurs is for workspace variables with bias or fractional slope. Two possible solutions to these problems are:

- Remove the explicit data type specification in the workspace for parameters used in such blocks.
- Modify the block so that it uses the parameter with the same data type as specified in the workspace. For example, the Lookup Table block uses the data types of its input signal to determine the data type that it uses to access the `X-breakpoint` parameter. You can prevent the block from typecasting the run-time parameter by converting the input signal to the data type used for `X-breakpoints` in the workspace. (Similarly, the output signal is used to determine the data types used to access the lookup table `Y` data.)

### Related Examples

- “Control Parameter Representation and Declare Tunable Parameters in the Generated Code” on page 6-70
- “Create Data Type Alias in the Generated Code” on page 8-11
- “Block Parameter Data Types”
- “Parameter Storage in the Generated Code” on page 6-48

## Control Parameter Representation and Declare Tunable Parameters in the Generated Code

Numeric block parameters, such as the **Gain** parameter of a **Gain** block, appear in the generated code as variables. To specify code generation options for these variables, you can use *parameter objects*. You can control variable characteristics such as:

- Tunability
- Data type
- Declaration and definition file placement

Parameter objects are objects of the class `Simulink.Parameter`. If you create your own data class package, parameter objects are also objects of the subclass of `Simulink.Parameter` that your package defines. For basic information about data objects, see “Data Objects” in the Simulink documentation.

Alternatively, to declare tunable parameters, you can use the Model Parameter Configuration dialog box to identify MATLAB variables in a workspace.

If you have an Embedded Coder license, you can use and create custom storage classes to represent more complex data such as structures and macros. You can also use custom storage classes to export data definitions and declarations to specific generated files. For more information, see “Introduction to Custom Storage Classes” on page 10-2 and “Simulink Package Custom Storage Classes” on page 10-5.

### Tunable Parameter Storage Classes

To control the code generated for a block parameter, you apply a *storage class* to a parameter object or a numeric MATLAB variable. For example, you can import or export the corresponding generated variable to or from the code.

You can choose from these built-in storage classes:

- **Auto**: The default storage class. Control the parameter tunability in the generated code by setting the configuration parameter **Default parameter behavior**.
- **SimulinkGlobal**: Store the parameter as a field of the generated global parameters structure, `model_P`. You can tune the parameter during code execution.
- **ExportedGlobal**: Export the declaration and definition of the parameter from the generated code as an individual global variable. You can tune the parameter during execution, and interface the parameter to your external code.

- **ImportedExtern**: Import the definition of the parameter from your external code. You can tune the parameter during execution.
- **ImportedExternPointer**: Import the parameter as a pointer from your external code. You can tune the parameter during execution.

To control the code generated for parameters that use the storage class **Auto**, use the configuration parameter **Default parameter behavior** on the **Optimization > Signals and Parameters** pane of the Configuration Parameters dialog box. You can use this configuration parameter to control whether the generated code represents the parameters as tunable fields of a global parameters structure or as or inlined numeric values. For more information, see “Default Parameter Storage” on page 6-48.

To customize the code generation for an individual parameter, specify a storage class other than **Auto**. For each of the storage classes, the table shows the declaration and the code generated for the workspace variable, **gainParam**, in the example model **param\_examp**. The numeric value of **gainParam** is 15.23.



Storage Class	Declaration	Definition	Code
Auto (with <b>Default parameter behavior</b> set to <b>Inlined</b> )	None, because the parameter is inlined	None, because the parameter is inlined	<code>outSig = 15.23 * inSig;</code>
SimulinkG	In <i>model.h</i> <pre>struct P_param_examp_T_ {     real_T gainParam; };  extern P_param_examp_T param_examp_P;</pre>	In <i>model_data.c</i> <pre>P_param_examp_T param_examp_P =     15.23 };</pre>	<pre>outSig =     param_examp_P.gainParam *     inSig;</pre>

Storage Class	Declaration	Definition	Code
ExportedGlobal	In <i>model.h</i> extern real_T gainParam;	In <i>model.c</i> real_T gainParam = 15.23;	outSig = gainParam * inSig;
ImportedExtern	In <i>model_private.h</i> extern real_T gainParam;	None, because the parameter is imported	outSig = gainParam * inSig;
ImportedExtern	In <i>model_private.h</i> extern real_T *gainParam;	None, because the parameter is imported	outSig = *gainParam * inSig;

## Parameter Objects for Code Generation


To specify code generation options for one or more block parameters in a model by using a parameter object:

- 1 Create a parameter data object, which is an object of the class `Simulink.Parameter` or of a subclass of `Simulink.Parameter`. Assign the object a numeric value that you want to use in the block parameter.
- 2 Specify code generation options by modifying the `CoderInfo` property of the parameter object.
- 3 Associate the parameter object with one or more numeric block parameters in a model diagram. For example, in a block dialog box, specify a parameter by using the name of the object.
- 4 Generate code.

Parameter objects have a property `CoderInfo` that contains an object of the class `Simulink.CoderInfo`. You can use the `CoderInfo` property of the parameter object to specify code generation options for the corresponding block parameter.

## Create and Configure Parameter Object for Code Generation

To control the code generation of one or more block parameters by creating a parameter object, you can use Model Explorer.

- 1 In the Model Explorer **Model Hierarchy** pane, select a workspace to contain the parameter object. For example, select `Base Workspace`.
- 2 Click Add Parameter .

- A `Simulink.Parameter` object named `Param` appears in the base workspace.
- 3 In the **Contents** pane, change the name of the parameter object to a meaningful name. For example, name the object `myParam`.
  - 4 Select the parameter object in the **Contents** pane. In the **Dialog** pane, specify a numeric value for the parameter in the **Value** box.
  - 5 In the **Storage class** drop-down list, select a storage class such as `ExportedGlobal`. Click **Apply**.
  - 6 Open a block dialog box. Specify the value of a numeric block parameter as `myParam`.
  - 7 Optionally, use the same parameter object name to specify other numeric block parameters in the model.
  - 8 Generate code.

## Programmatically Create and Configure Parameter Object for Code Generation

You can use the command prompt to control the code generation of one or more block parameters by creating a parameter object.

- 1 At the command prompt, create a `Simulink.Parameter` object named `myParam` in the base workspace. Assign the parameter object a numeric value `15.23`.

```
myParam = Simulink.Parameter(15.23);
```

- 2 Specify a storage class for the object. For example, specify the storage class `ExportedGlobal`.

```
myParam.StorageClass = 'ExportedGlobal';
```

You can use the preceding syntax as a shortcut to access the storage class. You can also explicitly access the property by using the syntax `myParam.CoderInfo.StorageClass`, since `StorageClass` is a property of the `Simulink.CoderInfo` object that resides in the `CoderInfo` property of the parameter object.

- 3 Open a block dialog box. Specify the value of a numeric block parameter as `myParam`.
- 4 Optionally, use the same parameter object name to specify other numeric block parameters in the model.
- 5 Generate code.

## Declare Workspace Variables as Tunable Parameters Using the Model Parameter Configuration Dialog Box

You can use the Model Parameter Configuration dialog box to declare numeric MATLAB variables in the base workspace as tunable parameters. You can select code generation options, such as storage class, for each tunable parameter.

However, it is a best practice to instead use parameter objects to declare tunable parameters. Do not use the Model Parameter Configuration dialog box to select parameter objects in the base workspace. To use parameter objects, instead of the Model Parameter Configuration dialog box, to declare tunable parameters, see “Parameter Objects for Code Generation” on page 6-72.

---

**Note** You cannot use the Model Parameter Configuration dialog box to declare tunable parameters for a referenced model. For tuning techniques for referenced models, see “Tunable Parameters in the Generated Code for Referenced Models” on page 6-77.

---

### Declare Existing Workspace Variables as Tunable Parameters

Use the Model Parameter Configuration dialog box to declare existing workspace variables as tunable parameters for a model.

- 1 In the Configuration Parameters dialog box, on the **Optimization > Signals and Parameters** pane, click **Configure**.
- 2 In the Model Parameter Configuration dialog box, under **Source list**, select a method to populate the list of available workspace variables.
  - Select **MATLAB workspace** to view all of the numeric variables that are defined in the base workspace.
  - Select **Referenced workspace variables** to view only the numeric variables in the base workspace that the model uses. Selecting this option begins a diagram update and a search for used variables, which can take time for a large model.
- 3 In the Model Parameter Configuration dialog box, under **Source list**, select one or more workspace variables.
- 4 Click **Add to table**. The variables appear as tunable parameters under **Global (tunable) parameters**, and appear in italic font under **Source list**.
- 5 Optionally, select a parameter under **Global (tunable) parameters**, and adjust the code generation settings for the parameter. For more information about adjusting



the code generation options for tunable parameters, see “Set Tunable Parameter Code Generation Options” on page 6-75

- 6 Click **OK** to apply your selection of tunable parameters and close the dialog box.

### Declare New Tunable Parameters

Use the Model Parameter Configuration dialog box to declare new tunable parameters. You can use this technique to declare the names of tunable parameters, and to adjust their code generation settings, before you create the corresponding workspace variables.

- 1 In the Configuration Parameters dialog box, on the **Optimization > Signals and Parameters** pane, click **Configure**.
- 2 In the Model Parameter Configuration dialog box, under **Global (tunable) parameters**, click **New**.
- 3 Under the **Name** column, specify a name for the new tunable parameter.
- 4 Optionally, adjust the code generation settings for the new parameter. For more information about adjusting the code generation options for tunable parameters, see “Set Tunable Parameter Code Generation Options” on page 6-75
- 5 Click **OK** to apply your changes and close the dialog box.

### Set Tunable Parameter Code Generation Options

To set the properties of tunable parameters listed under **Global (tunable) parameters** in the Model Parameter Configuration dialog box, select a parameter and specify a storage class and, optionally, a storage type qualifier.

Property	Description
Storage class	<p>Select one of the following to use for code generation:</p> <ul style="list-style-type: none"> <li>• SimulinkGlobal (Auto)</li> <li>• ExportedGlobal</li> <li>• ImportedExtern</li> <li>• ImportedExternPointer</li> </ul> <p>For more information about tunable parameter storage classes, see “Tunable Parameter Storage Classes” on page 6-70.</p>

Property	Description
Storage type qualifier	For variables with a storage class other than <code>SimulinkGlobal (Auto)</code> , you can add a qualifier (such as <code>const</code> or <code>volatile</code> ) to the generated storage declaration. To do so, you can select a predefined qualifier from the list, or add qualifiers not in the list by typing them in. The code generator does not check the storage type qualifier for validity, and includes the qualifier string in the generated code without checking syntax .

## Programmatically Declare Workspace Variables as Tunable Parameters

### Tune Parameters from the Command Line

When parameters are MATLAB workspace variables, the Model Parameter Configuration dialog box is the recommended way to see or set the properties of tunable parameters. In addition to that dialog box, you can also use MATLAB `get_param` and `set_param` commands.

---

**Note** You can also use `Simulink.Parameter` objects for tunable parameters. See “Control Parameter Representation and Declare Tunable Parameters in the Generated Code” on page 6-70 for details.

---

The following commands return the tunable parameters and corresponding properties:

- `get_param(gcs, 'TunableVars')`
- `get_param(gcs, 'TunableVarsStorageClass')`
- `get_param(gcs, 'TunableVarTypeQualifier')`

The following commands declare tunable parameters or set corresponding properties:

- `set_param(gcs, 'TunableVars', str)`

The argument `str` (string) is a comma-separated list of variable names.

- `set_param(gcs, 'TunableVarsStorageClass', str)`

The argument `str` (string) is a comma-separated list of storage class settings.

The valid storage class settings are

- Auto
  - ExportedGlobal
  - ImportedExtern
  - ImportedExternPointer
- `set_param(gcs, 'TunableVarsTypeQualifier', str)`

The argument `str` (string) is a comma-separated list of storage type qualifiers.

The following example declares the variable `k1` to be tunable, with storage class `ExportedGlobal` and type qualifier `const`. The number of variables and number of specified storage class settings must match. If you specify multiple variables and storage class settings, separate them with a comma.

```
set_param(gcs, 'TunableVars', 'k1')
set_param(gcs, 'TunableVarsStorageClass', 'ExportedGlobal')
set_param(gcs, 'TunableVarsTypeQualifier', 'const')
```

## Set Tunable Parameter Minimum and Maximum Values

It is a best practice to specify minimum and maximum values for tunable parameters. You can specify these minimum and maximum values in the block dialog box that uses the parameter.

If you make a block parameter tunable by specifying a `Simulink.Parameter` object, you can specify minimum and maximum values using the properties of the object.

## Tunable Parameters in the Generated Code for Referenced Models

You can use numeric MATLAB variables and `Simulink.Parameter` objects to parameterize blocks in referenced models. During simulation, you can tune these parameters.

To achieve maximum parameter tunability in the code that you generate for a referenced model, set the configuration parameter **Default parameter behavior** to `Tunable` for the referenced model. As with a top model, block parameters, MATLAB variables, and parameter objects appear in the generated code as tunable global variables. However, you must also set **Default parameter behavior** to `Tunable` for the parent model.

If you set **Default parameter behavior** to **Inlined**, the generated code uses the literal numeric values of block parameters and MATLAB variables. The code does not create variables to store the parameters in memory. In this case, to preserve tunability by specifying individual parameters as noninlined, you can use parameter objects with any storage class other than **AUTO**. As with a top model, the generated code creates a tunable global variable for each parameter object. If you include more than one instance of the same referenced model, use this technique to specify the same tunable value in every instance.

To specify a different tunable parameter value for each instance of a referenced model, consider using model arguments. For more information, see “Model Arguments”.

You cannot use the Model Parameter Configuration dialog box to declare global tunable parameters for referenced models. To reference a model that uses tunable parameters that you identified with the Model Parameter Configuration dialog box, implement tunability for the referenced model by using parameter objects. To create these objects, use the function `tunablevars2parameterobjects`.

## Interfaces for Tuning Parameters

The Simulink Coder product includes

- Support for developing a Target Language Compiler API for tuning parameters independent of external mode. See “Parameter Functions” in the Target Language Compiler documentation for information.
- A C application program interface (API) for tuning parameters independent of external mode. See “Exchange Data Between Generated and External Code Using C API” for information.
- An interface for exporting ASAP2 files, which you customize to use parameter objects. For details, see “Export ASAP2 File for Data Measurement and Calibration”.

## Linear Block Parameter Tunability

The following blocks have a **Realization** parameter that affects the tunability of their parameters:

- Transfer Fcn
- State-Space
- Discrete State-Space

The `Realization` parameter must be set by using the MATLAB `set_param` function, as in the following example.

```
set_param(gcf, 'Realization', 'auto')
```

The following values are defined for the `Realization` parameter:

- **general**: The block's parameters are preserved in the generated code, permitting parameters to be tuned.
- **sparse**: The block's parameters are represented in the code by transformed values that increase the computational efficiency. Because of the transformation, the block's parameters are not tunable.
- **auto**: This setting is the default. A **general** realization is used if one or more of the block's parameters are tunable. Otherwise **sparse** is used.

---

**Note** To tune the parameter values of a block of one of the above types without restriction during an external mode simulation, you must set `Realization` to **general**.

---

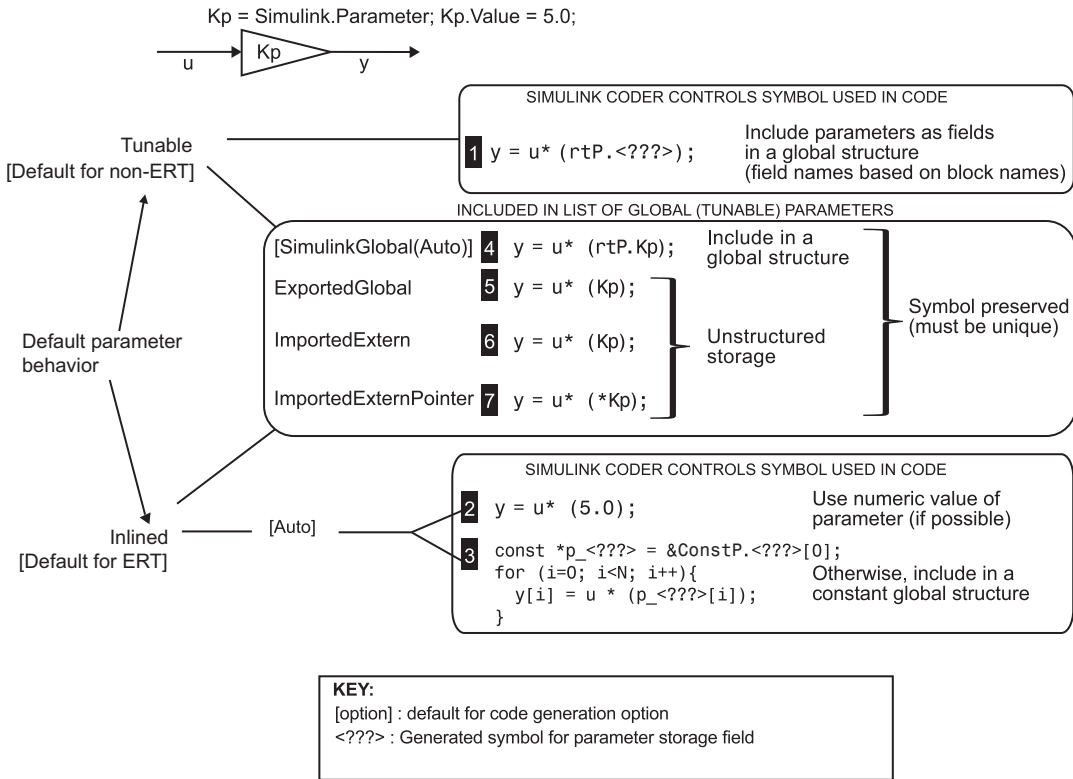
## Related Examples

- “Control Parameter Data Types in the Generated Code” on page 6-62
- “Set Block Parameter Values”
- “Inline Numeric Values of Block Parameters” on page 26-41
- “Parameter Storage in the Generated Code” on page 6-48
- “Access Data During Execution by Using Data Interfaces” on page 6-3
- “Tunable Expressions” on page 6-53
- “Storage Classes for Signals Used with Model Blocks”
- “Parameter Object Configuration Quick Reference Diagram” on page 6-80
- “Default Data Structures in the Generated Code”
- “Switch Between Sets of Parameter Values During Simulation and Code Execution” on page 6-82

# Parameter Object Configuration Quick Reference Diagram

The next figure shows the code generation and storage class options that control the representation of parameter objects in generated code.

```
const *p_<??> = &rtP.<??>[0];
          rtP
```



## Related Examples

- “Control Parameter Representation and Declare Tunable Parameters in the Generated Code” on page 6-70
- “Parameter Storage in the Generated Code” on page 6-48
- “Tunable Expressions” on page 6-53

- “Default Data Structures in the Generated Code”

## Switch Between Sets of Parameter Values During Simulation and Code Execution

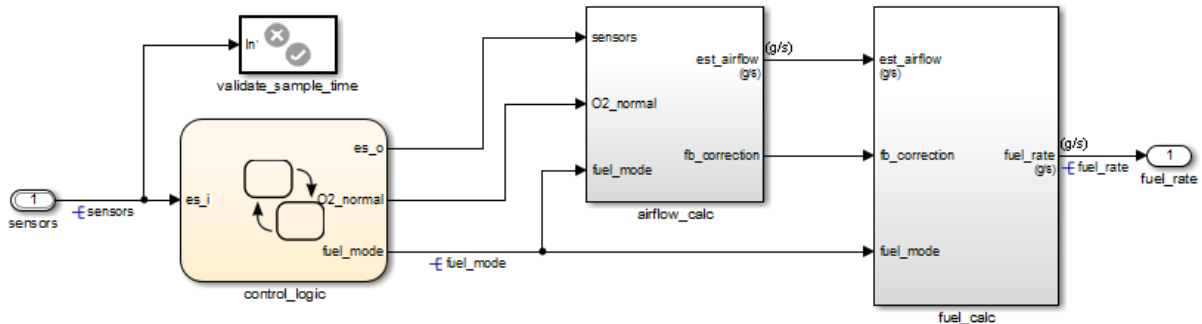
To store multiple independent sets of values for the same block parameters, you can use an array of structures. To switch between the parameter sets, create a variable that acts as an index into the array, and change the value of the variable. You can change the value of the variable during simulation and, if the variable is tunable, during execution of the generated code.

### Explore Example Model

Open this example model:

```
open_system('sldemo_fuelsys_dd_controller')
```

### Fuel Rate Controller



Copyright 1990-2015 The MathWorks, Inc.

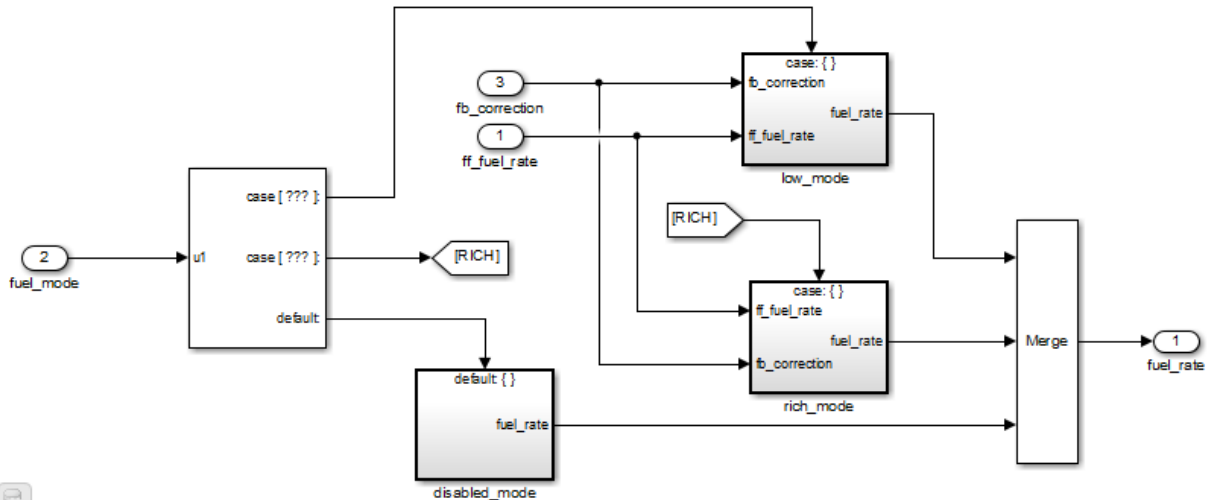
This model represents the fueling system of a gasoline engine. The output of the model is the rate of fuel flow to the engine.

Navigate to the `switchable_compensation` nested subsystem.

```
open_system(['sldemo_fuelsys_dd_controller/fuel_calc/', ...
            'switchable_compensation'])
```



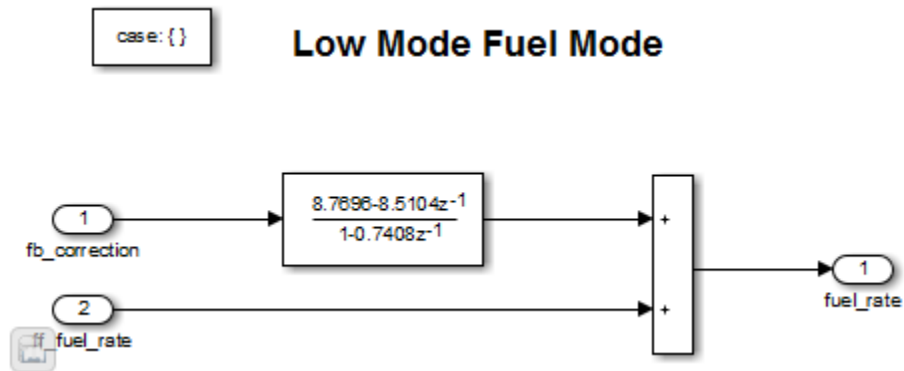
## Loop Compensation and Filtering



This subsystem corrects and filters noise out of the fuel rate signal. The subsystem uses different filter coefficients based on the fueling mode, which the control logic changes based on sensor failures in the engine. For example, the control algorithm activates the `low_mode` subsystem during normal operation. It activates the `rich_mode` subsystem in response to sensor failure.

Open the `low_mode` subsystem.

```
open_system(['sldemo_fuelsys_dd_controller/fuel_calc/',...
            'switchable_compensation/low_mode'])
```



The Discrete Filter block filters the fuel rate signal. In the block dialog box, the **Numerator** parameter sets the numerator coefficients of the filter.

The sibling subsystem `rich_mode` also contains a Discrete Filter block, which uses different coefficients.

Update the model diagram to display the signal data types. The input and output signals of the block use the single-precision, floating-point data type `single`.

In the lower-left corner of the model, click the data dictionary badge. The data dictionary for this model, `sldemo_fuelsys_dd_controller.sldd`, opens in the Model Explorer.

In the **Contents** pane, view the properties of the `Simulink.NumericType` objects, such as `s16En15`. All of these objects currently represent the single-precision, floating-point data type `single`. The model uses these objects to set signal data types, including the input and output signals of the Discrete Filter blocks.

Suppose that during simulation and execution of the generated code, you want each of these subsystems to switch between different numerator coefficients based on a variable whose value you control.

### Store Parameter Values in Array of Structures

Store the existing set of numerator coefficients in a `Simulink.Parameter` object whose value is a structure. Each field of the structure stores the coefficients for one of the Discrete Filter blocks.

```
lowBlock = ['sldemo_fuelsys_dd_controller/fuel_calc/'...
            'switchable_compensation/low_mode/Discrete Filter'];
```

```
richBlock = ['sldemo_fuelsys_dd_controller/fuel_calc/'...
            'switchable_compensation/rich_mode/Discrete Filter'];
params.lowNumerator = eval(get_param(lowBlock, 'Numerator'));
params.richNumerator = eval(get_param(richBlock, 'Numerator'));
params = Simulink.Parameter(params);
```

Copy the value of `params` into a temporary variable. Modify the field values in this temporary structure, and assign the modified structure as the second element of `params`.

```
temp = params.Value;
temp.lowNumerator = params.Value.lowNumerator * 2;
temp.richNumerator = params.Value.richNumerator * 2;
params.Value(2) = temp;
clear temp
```

The value of `params` is an array of two structures. Each structure stores one set of filter coefficients.

### Create Variable to Switch Between Parameter Sets

Create a `Simulink.Parameter` object named `Ctrl`.

```
Ctrl = Simulink.Parameter(2);
Ctrl.DataType = 'uint8';
```

In the `low_mode` subsystem, in the Discrete Filter block dialog box, set the **Numerator** parameter to the expression `params(Ctrl).lowNumerator`.

```
set_param(lowBlock, 'Numerator', 'params(Ctrl).lowNumerator');
```

In the Discrete Filter block in the `rich_mode` subsystem, set the value of the **Numerator** parameter to `params(Ctrl).richNumerator`.

```
set_param(richBlock, 'Numerator', 'params(Ctrl).richNumerator');
```

The expressions select one of the structures in `params` by using the variable `Ctrl`. The expressions then dereference one of the fields in the structure. The field value sets the values of the numerator coefficients.

To switch between the sets of coefficients, you change the value of `Ctrl` to the corresponding index in the array of structures.

### Use Bus Object as Data Type of Array of Structures

Optionally, create a `Simulink.BUS` object to use as the data type of the array of structures. You can:

- Control the shape of the structures.
- For each field, control characteristics such as data type and physical units.
- Control the name of the `struct` type in the generated code.

Use the function `Simulink.Bus.createObject` to create the object and rename the object as `paramsType`.

```
Simulink.Bus.createObject(params.Value)
paramsType = slBus1;
clear slBus1
```

You can use the `Simulink.NumericType` objects from the data dictionary to control the data types of the structure fields. In the bus object, use the name of a data type object to set the `DataType` property of each element.

```
paramsType.Elements(1).DataType = 's16En15';
paramsType.Elements(2).DataType = 's16En7';
```

Use the bus object as the data type of the array of structures.

```
params.DataType = 'Bus: paramsType';
```

### Use Enumerated Type for Switching Variable

Optionally, use an enumerated type as the data type of the switching variable. You can associate each of the parameter sets with a meaningful name and restrict the allowed values of the switching variable.

Create an enumerated type named `FilterCoeffs`. Create an enumeration member for each of the structures in `params`. Set the underlying integer value of each enumeration member to the corresponding index in `params`.

```
Simulink.defineIntEnumType('FilterCoeffs',{'Weak','Aggressive'},[1 2])
```

Use the enumerated type as the data type of the switching variable. Set the value of the variable to `Aggressive`, which corresponds to the index 2.

```
Ctrl.Value = FilterCoeffs.Aggressive;
```

### Add New Objects to Data Dictionary

Add the objects that you created to the data dictionary  
`sldemo_fuelsys_dd_controller.sldd`.

```
dictObj = Simulink.data.dictionary.open('sldemo_fuelsys_dd_controller.sldd');
sectObj = getSection(dictObj, 'Design Data');
addEntry(sectObj, 'Ctrl', Ctrl)
addEntry(sectObj, 'params', params)
addEntry(sectObj, 'paramsType', paramsType)
```

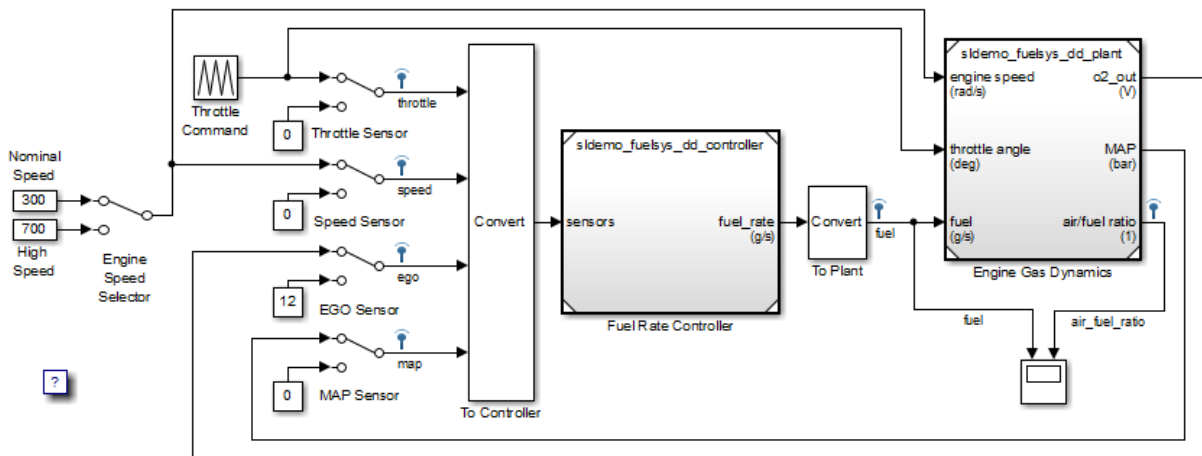
You can also store enumerated types in data dictionaries. However, you cannot import the enumerated type in this case because you cannot save changes to `sldemo_fuelsys_dd_controller.sldd`. For more information about storing enumerated types in data dictionaries, see “Enumerations in Data Dictionary”.

### Switch Between Parameter Sets During Simulation

Open the example model `sldemo_fuelsys_dd`, which references the controller model `sldemo_fuelsys_dd_controller`.

```
open_system('sldemo_fuelsys_dd')
```

## Fault-Tolerant Fuel Control System



The sensor switches simulate any combination of sensor failures.  
The Engine Speed Selector switch simulates different engine speeds (rad/s).

Copyright 1990-2015 The MathWorks, Inc.

Set the simulation stop time to `Inf` so that you can interact with the model during simulation.

Begin a simulation run and open the Scope block dialog box. The scope shows that the fuel flow rate (the `fuel` signal) oscillates with significant amplitude during normal operation of the engine.

In the Model Explorer, view the contents of the data dictionary `sldemo_fuelsys_dd_controller.sldd`. Set the value of `Ctrl` to `FilterCoeffs.Weak`.

Update the `sldemo_fuelsys_dd` model diagram. The scope shows that the amplitude of the fuel rate oscillations decreases due to the less aggressive filter coefficients.

Stop the simulation.

### Generate and Inspect Code

If you have Simulink Coder software, you can generate code that enables you to switch between the parameter sets during code execution.

In the Model Explorer, view the contents of the data dictionary `sldemo_fuelsys_dd_controller.sldd`. In the **Contents** pane, set **Column View** to **Storage Class**.

Use the **StorageClass** column to apply the storage class `ExportedGlobal` to `params` so that the array of structures appears as a tunable global variable in the generated code. Apply the same storage class to `Ctrl` so that you can change the value of the switching variable during code execution.

Alternatively, to configure the objects, use these commands:

```
tempEntryObj = getEntry(sectObj, 'params');
params = getValue(tempEntryObj);
params.StorageClass = 'ExportedGlobal';
setValue(tempEntryObj, params);

tempEntryObj = getEntry(sectObj, 'Ctrl');
Ctrl = getValue(tempEntryObj);
Ctrl.StorageClass = 'ExportedGlobal';
setValue(tempEntryObj, Ctrl);
```

Generate code from the controller model.

```
rtwbuild('sldemo_fuelsys_dd_controller')

### Starting build procedure for model: sldemo_fuelsys_dd_controller
```

```
### Successful completion of code generation for model: sldemo_fuelsys_dd_controller
```

In the code generation report, view the header file `sldemo_fuelsys_dd_controller_types.h`. The code defines the enumerated data type `FilterCoeffs`.

```
file = fullfile('sldemo_fuelsys_dd_controller_ert_rtw',...
    'sldemo_fuelsys_dd_controller_types.h');
rtwdemodbtype(file, '#ifndef DEFINED_TYPEDEF_FOR_FilterCoeffs_',...
    '/* Forward declaration for rtModel */',1,0)
```

```
#ifndef DEFINED_TYPEDEF_FOR_FilterCoeffs_
#define DEFINED_TYPEDEF_FOR_FilterCoeffs_

typedef enum {
    Weak = 1,                /* Default value */
    Aggressive
} FilterCoeffs;

#endif
```

The code also defines the structure type `paramType`, which corresponds to the `Simulink.Bus` object. The fields use the single-precision, floating-point data type from the model.

```
rtwdemodbtype(file, '#ifndef DEFINED_TYPEDEF_FOR_paramType_',...
    '#ifndef DEFINED_TYPEDEF_FOR_FilterCoeffs_',1,0)
```

```
#ifndef DEFINED_TYPEDEF_FOR_paramType_
#define DEFINED_TYPEDEF_FOR_paramType_

typedef struct {
    real32_T lowNumerator[2];
    real32_T richNumerator[2];
} paramType;

#endif
```

View the source file `sldemo_fuelsys_dd_controller.c`. The code uses the enumerated type to define the switching variable `Ctrl`.

```
file = fullfile('sldemo_fuelsys_dd_controller_ert_rtw',...
    'sldemo_fuelsys_dd_controller.c');
```

```
rtwdemodbtype(file, 'FilterCoeffs Ctrl = Aggressive;', ...
    /* Block signals (auto storage) */', 1, 0)

FilterCoeffs Ctrl = Aggressive;          /* Variable: Ctrl
                                          * Referenced by:
                                          *   '<S12>/Discrete Filter'
                                          *   '<S13>/Discrete Filter'
                                          */
```

The code also defines the array of structures `params`.

```
rtwdemodbtype(file, /* Exported block parameters */', ...
    /* Variable: params', 1, 1)

/* Exported block parameters */
paramsType params[2] = { {
    { 8.7696F, -8.5104F },

    { 0.0F, 0.2592F }
}, { { 17.5392F, -17.0208F },

    { 0.0F, 0.5184F }
} } ;                                     /* Variable: params
```

The code algorithm in the model `step` function uses the switching variable to index into the array of structures.

```
rtwdemodbtype(file, ...
    'fuel_rate = ', 'rtDWork.DiscreteFilter_states_g) + rtb_Product2;', 1, 1)

fuel_rate = (params[Ctrl - 1].lowNumerator[0] * rtb_MultiportSwitch +
    params[Ctrl - 1].lowNumerator[1] *
    rtDWork.DiscreteFilter_states_g) + rtb_Product2;
```

To switch between the parameter sets stored in the array of structures, change the value of `Ctrl` during code execution.

## Related Examples

- “Tune and Experiment with Block Parameter Values”
- “Control Parameter Representation and Declare Tunable Parameters in the Generated Code”



- “Organize Related Block Parameter Definitions in Structures”

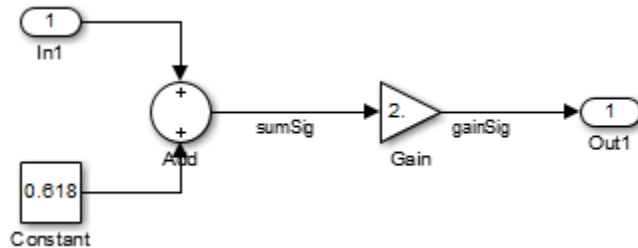
## Signal Representation in Generated Code

In this section...
“Signal Storage Concepts” on page 6-93
“Signals with Auto Storage Class” on page 6-95
“Signals with Test Points” on page 6-97
“Symbolic Naming Conventions for Signals” on page 6-98
“Summary of Signal Storage Class Options” on page 6-99
“Interfaces for Monitoring Signals” on page 6-100
“Share Data Between Code Generated from Simulink, Stateflow, and MATLAB” on page 6-100

The Simulink Coder product offers a number of options that let you control how signals in your model are stored and represented in the generated code.

- Control whether signal storage is declared in global memory space or locally in functions (that is, in stack variables).
- Control the allocation of stack space when using local storage.
- Declare signals as *test points* to store them in unique memory locations
- Reduce memory usage by instructing the Simulink Coder product to store signals in reusable buffers.
- Control whether or not signals declared in generated code are interfaceable (visible) to externally written code. You can also specify that signals are to be stored in locations declared by externally written code.
- Preserve the symbolic names of signals in generated code by using signal labels.

The discussion in the following sections refers to code generated from `signal_examp`, the model shown in the next figure.



### signal\_examp Model

## Signal Storage Concepts

This section discusses structures and concepts you must understand to choose the best signal storage options for your application:

- The global block I/O data structure `model_B`
- The concept of signal *storage classes* as used in the Simulink Coder product

### Global Block I/O Structure

By default, the Simulink Coder product attempts to optimize memory usage by sharing signal memory and using local variables.

However, under a number of circumstances you should place signals in global memory. For example,

- You might want a signal to be stored in a structure that is visible to externally written code.
- The number and/or size of signals in your model might exceed the stack space available for local variables.

In such cases, it is possible to override the default behavior and store selected signals in a model-specific *global block I/O data structure*. The global block I/O structure is called `model_B` (in earlier versions this was called `rtB`).

The following code shows how `model_B` is defined and declared in code generated (with signal storage optimizations off) from the `signal_examp` model shown in the `signal_examp` Model figure.

```
(in signal_examp.h)
/* Block signals (auto storage) */
extern B_signal_examp_T signal_examp_B;
```

```
(in signal_examp.c)
/* Block signals (auto storage) */
B_signal_examp_T signal_examp_B;
```

Field names for signals stored in *model\_B* are generated according to the rules described in “Symbolic Naming Conventions for Signals” on page 6-98.

In certain cases, Simulink Coder places signals in the block I/O structure, even when you specify the storage class for the signal object as `Auto` or if you enable the option to reuse the signal. This override occurs when the values of these signals need to be persistent across time step. In such cases, the only way to represent these signals locally in generated code is to change the semantics of your Simulink model.

### Signal Storage Class

In the Simulink Coder product, the *storage class* property of a signal specifies how the product declares and stores the signal. In some cases this specification is qualified by more options.

In the context of the Simulink Coder product, the term “storage class” is not synonymous with the term *storage class specifier*, as used in the C language.

### Default Storage Class

`Auto` is the default storage class and is the storage class you should use for signals that you do not need to interface to external code. Signals with `Auto` storage class can be stored in local and/or shared variables or in a global data structure. The form of storage depends on the **Signal storage reuse**, **Reuse local block outputs**, and **Enable local block outputs** options, and on available stack space. See “Signals with Auto Storage Class” on page 6-95 for a full description of code generation options for signals with `Auto` storage class.

### Explicitly Assigned Storage Classes

Signals with storage classes other than `Auto` are stored either as members of an appropriate global data structure, such as *model\_B* or *model\_U*, or in unstructured global variables, independent of the global data structures. These storage classes are for signals that you want to monitor and/or interface to external code.

The **Signal storage reuse**, **Enable local block outputs**, **Reuse local block outputs**, and **Eliminate superfluous local variables (expression folding)** optimizations do not apply to signals with storage classes other than `Auto`.

Use the Signal Properties dialog box to assign these storage classes to signals:

- `SimulinkGlobal(Test Point)`: Test points are stored as fields of a global structure that are not shared or reused by another signal. See “Signals with Test Points” on page 6-97 for more information.
- `ExportedGlobal`: The signal is stored in a global variable, independent of the global data structures. `model.h` exports the variable. Signals with `ExportedGlobal` storage class must have unique signal names. See “Control Signals and States in Code by Applying Storage Classes” on page 6-103 for more information.
- `ImportedExtern`: `model_private.h` declares the signal as an extern variable. Your code must supply the variable definition. Signals with `ImportedExtern` storage class must have unique signal names. See “Control Signals and States in Code by Applying Storage Classes” on page 6-103 for more information.
- `ImportedExternPointer`: `model_private.h` declares the signal as an extern pointer. Your code must define a valid pointer variable. Signals with `ImportedExtern` storage class must have unique signal names. See “Control Signals and States in Code by Applying Storage Classes” on page 6-103 for more information.

## Signals with Auto Storage Class

Options are available for signals with `Auto` storage class:

- **Signal storage reuse**
- **Enable local block outputs**
- **Reuse local block outputs**
- **Eliminate superfluous local variables (expression folding)**

Use these options to control signal memory reuse and choose local or global (`model_B`) storage for signals. These options are on the **All Parameters** tab of the Configuration Parameters dialog box.

These options interact. When the **Signal storage reuse** option is selected,

- The **Reuse local block outputs** option is enabled and selected, and signal memory is reused whenever possible, reducing stack size where signals are being buffered in local variables.
- The **Enable local block outputs** option is enabled and selected. This parameter lets you choose whether reusable signal variables are declared as local variables in functions or as members of *model\_B*.
- The **Eliminate superfluous local variables (expression folding)** is enabled and selected, and block computations collapse into single expressions.

The following code examples illustrate the effects of the **Signal storage reuse**, **Enable local block outputs**, and **Reuse local block outputs** options. The examples were generated from the `signal_examp` model (see figure `signal_examp Model`). For clarity in showing the individual `Gain` and `Sum` block computation, expression folding is off in this example.

This code example shows signal storage optimization, with **Signal storage reuse**, **Enable local block outputs**, and **Reuse local block outputs** selected. The local variable `rtb_gainSig` holds the outputs of the `Sum` and `Gain` blocks.

```
/* Model step function */
void signal_examp_step(void)
{
    real_T rtb_gainSig;

    /* Sum: '<Root>/Sum' incorporates:
     * Constant: '<Root>/Constant'
     * Inport: '<Root>/In1'
     */
    rtb_gainSig = signal_examp_U.In1 + signal_examp_P.Constant_Value;

    /* Gain: '<Root>/Gain' */
    rtb_gainSig *= signal_examp_P.Gain_Gain;

    /* Outport: '<Root>/Out1' */
    signal_examp_Y.Out1 = rtb_gainSig;
}
```

This example shows the code with **Signal storage reuse** cleared. The global variable `signal_example_B.sumSig` holds the output of the `Sum` block.

```
/* Model step function */
void signal_examp_step(void)
{
    /* Sum: '<Root>/Sum' incorporates:
     * Constant: '<Root>/Constant'
     * Inport: '<Root>/In1'
     */
    /* ... */
}
```

```

signal_examp_B.sumSig = signal_examp_P.Constant_Value + signal_examp_U.In1;

/* Outport: '<Root>/Out1' incorporates:
 * Gain: '<Root>/Gain'
 */
signal_examp_Y.Out1 = signal_examp_P.Gain_Gain * signal_examp_B.sumSig;
}

```

In large models, disabling **Signal storage reuse** can significantly increase RAM and ROM usage. Therefore, this approach is not recommended for code deployment; however it can be useful in rapid prototyping environments.

The following table summarizes the possible combinations of the **Signal storage reuse / Reuse block outputs** and **Enable local block outputs** options.

	Signal storage reuse and Reuse local block outputs ON	Signal storage reuse OFF (Reuse local block outputs disabled)
Enable local block outputs ON	Reuse signals in local memory (fully optimized)	N/A
Enable local block outputs OFF	Reuse signals in <i>model_B</i> structure	Individual signal storage in <i>model_B</i> structure

## Signals with Test Points

A *test point* is a signal that is stored in a unique location that other signals cannot share or reuse. See “Test Points” in the Simulink documentation for information about including test points in your model.

When you generate code for models that include test points, the Simulink Coder build process allocates a separate memory buffer for each test point. Test points are stored as members of an appropriate global data structure such as *model\_B* or *model\_U*.

Declaring a signal as a test point disables the following options for that signal. This can lead to increased code and data size. You do not lose the benefits of optimized storage for other signals in your model.

- **Signal storage reuse**
- **Enable local block outputs**
- **Reuse local block outputs**

- **Eliminate superfluous local variables (expression folding)**

For an example of storage declarations and code generated for a test point, see “Summary of Signal Storage Class Options” on page 6-99.

If you have an Embedded Coder license, you can specify that the Simulink Coder build process ignore test points in the model, allowing optimal buffer allocation, using the “Ignore test point signals” parameter. Ignoring test points facilitates transitioning from prototyping to deployment and avoids accidental degradation of generated code due to workflow artifacts. For more information, see “Ignore test point signals”.

## Symbolic Naming Conventions for Signals

When signals have a storage class other than `Auto`, the Simulink Coder product preserves symbolic information about the signals or their originating blocks in the generated code.

For labeled signals, field names in `model_B` derive from the signal names. In the following example, the field names `model_B.sumSig` and `model_B.gainSig` are derived from the corresponding labeled signals in the `signal_examp` model (shown in figure `signal_examp Model`).

```
/* Block signals (auto storage) */
typedef struct _BlockIO_signal_examp {
    real_T sumSig;                /* '<Root>/Add' */
    real_T gainSig;              /* '<Root>/Gain' */
} BlockIO_signal_examp;
```

When you clear the **Signal storage reuse** optimization, `sumSig` is not part of `model_B`, and a local variable is used for it instead. For unlabeled signals, `model_B` field names are derived from the name of the source block or subsystem.

The components of a generated signal label are

- The root model name, followed by
- The name of the generating signal object, followed by
- A unique *name mangling* string (if required)

The number of characters that a signal label can have is limited by the **Maximum identifier length** parameter specified on the **Symbols** pane of the Configuration Parameters dialog box. See “Construction of Generated Identifiers” for more detail.



When a signal has **Auto** storage class, the Simulink Coder build process controls generation of variable or field names without regard to signal labels.

## Summary of Signal Storage Class Options

The next table shows, for each signal storage class option, the variable declaration and the code generated for Sum (**sumSig**) and Gain (**gainSig**) block outputs of the model shown in figure `signal_examp Model`.

Storage Class	Declaration	Code
Auto  (with <b>Signal storage reuse</b> optimizations on)	In <code>model.c</code> or <code>model.cpp</code>  <code>real_T rtb_sumSig;</code>	<code>rtb_sumSig = signal_examp_U.In1 + signal_examp_P.Constant_Value; rtb_sumSig *= signal_examp_P.Gain_Gain; signal_examp_Y.Out1 = rtb_sumSig;</code>
Test point (for <code>sumSig</code> only)	In <code>model.h</code>  <code>typedef struct _BlockIO_signal_examp { real_T sumSig; } BlockIO_signal_examp;</code>  In <code>model.c</code> or <code>model.cpp</code>  <code>BlockIO_signal_examp signal_examp_B; real_T rtb_gainSig;</code>	<code>signal_examp_B.sumSig = signal_examp_U.In1 + signal_examp_P.Constant_Value; rtb_gainSig = signal_examp_B.sumSig * signal_examp_P.Gain_Gain; signal_examp_Y.Out1 = rtb_gainSig;</code>
ExportedGlobal (for <code>sumSig</code> only)	In <code>model.h</code>  <code>extern real_T sumSig;</code>  In <code>model.c</code> or <code>model.cpp</code>  <code>real_T sumSig; real_T rtb_gainSig;</code>	<code>sumSig = signal_examp_U.In1 + signal_examp_P.Constant_Value; rtb_gainSig = sumSig * signal_examp_P.Gain_Gain; signal_examp_Y.Out1 = rtb_gainSig;</code>
ImportedExtern	In <code>model_private.h</code>  <code>extern real_T sumSig;</code>  In <code>model.c</code> or <code>model.cpp</code>  <code>real_T rtb_gainSig;</code>	<code>sumSig = signal_examp_U.In1 + signal_examp_P.Constant_Value; rtb_gainSig = sumSig * signal_examp_P.Gain_Gain; signal_examp_Y.Out1 = rtb_gainSig;</code>
ImportedExternPointer	In <code>model_private.h</code>	<code>(*sumSig) = signal_examp_U.In1 + signal_examp_P.Constant_Value;</code>

Storage Class	Declaration	Code
	<pre>extern real_T *sumSig;</pre> <p>In <i>model.c</i> or <i>model.cpp</i></p> <pre>real_T rtb_gainSig;</pre>	<pre>rtb_gainSig = (*sumSig) *   signal_examp_P.Gain_Gain; signal_examp_Y.Out1 = rtb_gainSig;</pre>

## Interfaces for Monitoring Signals

The Simulink Coder product includes

- Support for developing a Target Language Compiler API for monitoring signals and states independent of external mode. See “Input Signal Functions” and “Output Signal Functions” in the Target Language Compiler documentation for information.
- A C application program interface (API) for monitoring signals and states independent of external mode. See “Exchange Data Between Generated and External Code Using C API” for information.
- An interface for exporting ASAP2 files, which you customize to use signal objects. For details, see “Export ASAP2 File for Data Measurement and Calibration”.

## Share Data Between Code Generated from Simulink, Stateflow, and MATLAB

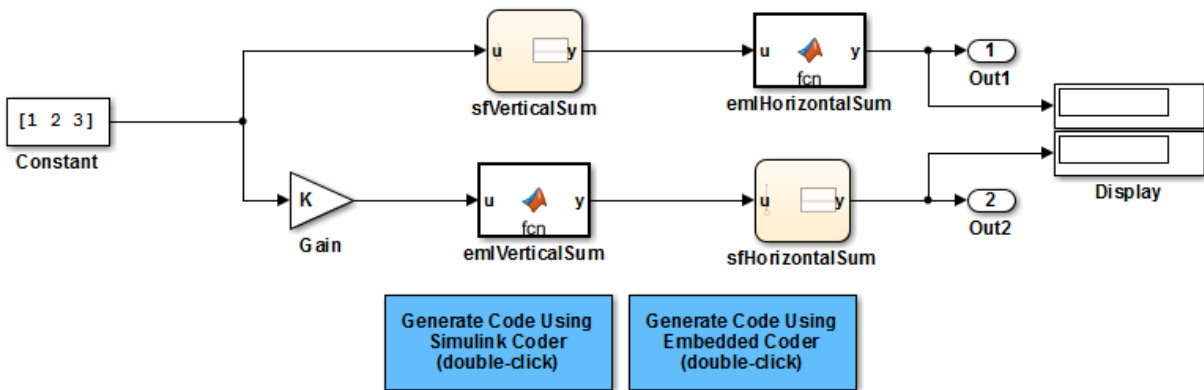
Stateflow and MATLAB Coder can fully define their data definitions, or they can inherit them from Simulink. Data definition capabilities include:

- Inheriting input/output data types and sizes from Simulink.
- Parameterized data types and sizes. That is, data type and size may be specified as a function of another data's type and size, e.g., `type(y)=type(u)` and `size(y)=size(u)`.
- Inferred output size and type from Simulink via signal attribute back propagation.
- Parameter scoped data, which allows referencing Simulink parameters in Stateflow and MATLAB.

### Open Example Model

Open the example model `rtwdemo_dynamicio`.

```
open_system('rtwdemo_dynamicio')
```



Copyright 1994-2015 The MathWorks, Inc.

### Instructions

- 1 Compile the model (**Simulation > Update Diagram**) and note the displayed signal types and sizes.
- 2 Change the data type and/or size of the Constant block and recompile the model. Note that the attributes of the signals automatically adapt to the Constant block specification.
- 3 Generate and inspect code using the blue buttons in the model. Note that K is shared by the Gain and sfVerticalSum block.

### Notes

- The data type and size of all Stateflow and MATLAB data is inherited from Simulink.
- The Gain block and the Stateflow chart sfVerticalSum share the Simulink parameter K, which is defined in the MATLAB workspace as a Simulink.Parameter with SimulinkGlobal storage class (i.e., rtP.K in the generated code).

### Related Examples

- “Control Signals and States in Code by Applying Storage Classes” on page 6-103
- “Control Signal and State Initialization in the Generated Code”

- “Maximize Signal Storage Optimization”
- “Default Data Structures in the Generated Code”
- “Storage Classes for Signals Used with Model Blocks”
- “Control Signal Data Types”

## Control Signals and States in Code by Applying Storage Classes

Signals and block states appear in the generated code as variables. For basic information about signal representation in the generated code, see “Signal Representation in Generated Code” on page 6-92. For basic information about state representation, see “Discrete Block State Naming in Generated Code” and “Continuous Block State Naming in Generated Code”.

In a model, you can assign each signal and state a *storage class* to determine the variable scope in the generated code. You can use storage classes to monitor signal and state data during execution and interface signals and states to externally written code.

To specify storage classes for signals and states, you can use *signal objects*, which you store in a workspace or data dictionary. Signal objects are objects of the class `Simulink.Signal`. If you create your own data class package, signal objects are also objects of the subclass of `Simulink.Signal` that your package defines. For basic information about data objects, see “Data Objects” in the Simulink documentation.

You can apply storage classes directly to signal lines and block states by using the Signal Properties dialog box or the **State Attributes** tab of a block dialog box. This technique does not require you to store a signal object in a workspace.

You can interface test points and other signals that are stored as members of `model_B`, or of another global data structure such as `model_U`, to your code. To do this, your code must know the address of the global data structure where the data is stored, and other information. This information is not automatically exported. The Simulink Coder product provides C/C++ and Target Language Compiler APIs that give your code access to `model_B` and other data structures. See “Interfaces for Monitoring Signals” on page 6-100 for more information.

If you have an Embedded Coder license, you can use and create custom storage classes to represent more complex data such as structures and macros. You can also use custom storage classes to export data declarations to specific generated files. For more information, see “Introduction to Custom Storage Classes” on page 10-2 and “Simulink Package Custom Storage Classes” on page 10-5.

### In this section...

“Storage Classes for Signals and States” on page 6-104

“Signal Objects for Code Generation” on page 6-107

**In this section...**

“Create and Configure Signal Object for Code Generation” on page 6-107

“Programmatically Create and Configure Signal Object for Code Generation” on page 6-108

“Apply Storage Classes Directly to Signal Lines and Block States” on page 6-109

“Programmatically Apply Storage Classes Directly to Signals and States” on page 6-109

“Resolve Conflicts in Configuration of Signal Objects” on page 6-110

## Storage Classes for Signals and States

To control the code generated for signals and states, use storage class. For example, you can import or export the corresponding variable to or from the code.

You can choose from these built-in storage classes:

- **Auto**, which is the default storage class. Simulink Coder determines signal or state storage based on optimization settings such as configuration parameters.
- **SimulinkGlobal**. The generated code contains a structured global variable for signals and another structured global variable for states that use this storage class. Each signal or state appears as a field of the appropriate structure.
- **ExportedGlobal**. Export the signal or state as a unique global variable in the generated code. The code contains an `extern` declaration for the variable.
- **ImportedExtern**. Import the signal or state as a unique global variable in the generated code. Your code must provide the variable definition.
- **ImportedExternPointer**. Import the signal or state as a unique global pointer variable in the generated code. Your code must provide the pointer variable definition.

### Storage Classes for Signal Lines

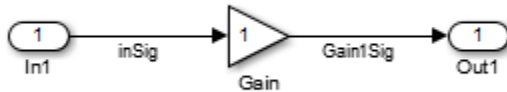
To control the code generated for signals that use **Auto** storage class, on the **All Parameters** tab of the Configuration Parameters dialog box, adjust these options:

- **Signal storage reuse**
- **Reuse block outputs**
- **Enable local block outputs**

- **Eliminate superfluous local variables (expression folding)**

These configuration parameters determine, for example, whether a signal appears in the code as a local variable or whether expression folding eliminates the signal altogether.

To customize the code generation for an individual signal, specify a storage class other than `Auto`. For each of the storage classes, the table shows the variable declaration and the code generated for the `Inport` signal, `inSig`, of the example model `signal_examp`.



Storage Class	Declaration and Definition	Code
Auto (with storage optimizations on)	In <code>signal_examp.h</code>  <pre>typedef struct {     real_T inSig; } ExtU_signal_examp_T;  extern ExtU_signal_examp_T signal_examp_U;</pre>	<code>Gain1Sig = signal_examp_P.Gain_Gain * signal_examp_U.inSig;</code>
SimulinkGlobal	In <code>signal_examp.h</code>  <pre>typedef struct {     real_T inSig; } ExtU_signal_examp_T;  extern ExtU_signal_examp_T signal_examp_U;</pre>	<code>Gain1Sig = signal_examp_P.Gain_Gain * signal_examp_U.inSig;</code>
ExportedGlobal	In <code>signal_examp.c</code>  <pre>real_T inSig;</pre> In <code>signal_examp.h</code>  <pre>extern real_T inSig;</pre>	<code>Gain1Sig = inSig * signal_examp_P.Gain_Gain;</code>
ImportedExtern	In <code>signal_examp_private.h</code>  <pre>extern real_T inSig;</pre>	<code>Gain1Sig = inSig * signal_examp_P.Gain_Gain;</code>
ImportedExternPointer	In <code>signal_examp_private.h</code>	<code>Gain1Sig = (*inSig) * signal_examp_P.Gain_Gain;</code>

Storage Class	Declaration and Definition	Code
	<code>extern real_T *inSig;</code>	

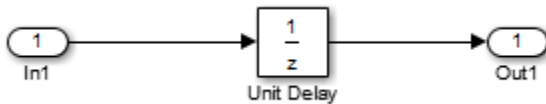
### Storage Classes for Block States

Use the `Auto` storage class for states that you do not need to interface to external code. States with `Auto` and `SimulinkGlobal` storage class are typically stored as members of the `DWork` vector in the generated code.

You can assign a symbolic name to states that use the `Auto` or `SimulinkGlobal` storage classes. If you do not supply a state name, Simulink Coder generates one, as described in “Discrete Block State Naming in Generated Code” on page 6-135.

Block states with storage classes other than `Auto` or `SimulinkGlobal` are stored in unstructured global variables, independent of the `DWork` vector. Use these storage classes for states that you want to interface to external code.

For each of the storage classes, the table shows the variable declaration and initialization code generated for the `Unit Delay` block state in the example model `state_examp`. The block state name is specified as `udx`. The initial value is 0.



Storage Class	Declaration and Definition	Initialization Code
<code>Auto</code>	In <code>state_examp.h</code>  <pre>typedef struct {     real_T udx; } DW_state_examp_T;</pre>	<code>state_examp_DW.udx = 0.0;</code>
<code>SimulinkGlobal</code>	In <code>state_examp.h</code>  <pre>typedef struct {     real_T udx; } DW_state_examp_T;</pre>	<code>state_examp_DW.udx = 0.0;</code>
<code>ExportedGlobal</code>	In <code>state_examp.c</code>	<code>udx = 0.0;</code>



Storage Class	Declaration and Definition	Initialization Code
	<pre>real_T udx;</pre> <p>In <code>state_examp.h</code></p> <pre>extern real_T udx;</pre>	
ImportedExtern	<p>In <code>state_examp_private.h</code></p> <pre>extern real_T udx;</pre>	<code>udx = 0.0;</code>
ImportedExternPointer	<p>In <code>state_examp_private.h</code></p> <pre>extern real_T *udx;</pre>	<code>*udx = state_examp_U.In1;</code>

## Signal Objects for Code Generation


To specify code generation options for a signal or state in a model by using a data object:

- 1 Create a signal data object, which is an object of the class `Simulink.Signal` or of a subclass of `Simulink.Signal`.
- 2 Specify code generation options by modifying the `CoderInfo` property of the signal object.
- 3 Associate the signal object with a signal or state in a model diagram. For example, in a Signal Properties dialog box, or the **State Attributes** tab of a block dialog box, specify the object name as the name of the target signal or state.
- 4 Generate code and build your target executable.

Signal objects have a property `CoderInfo` that contains an object of the class `Simulink.CoderInfo`. You can use the properties of the `Simulink.CoderInfo` object to specify code generation options for the target model signal or state.

## Create and Configure Signal Object for Code Generation

To control the code generation of a signal by creating a signal object, you can use Model Explorer.

- 1 In the Model Explorer **Model Hierarchy** pane, select a workspace to contain the signal object. For example, select `Base Workspace`.
- 2 Click Add Signal .

- A `Simulink.Signal` object named `Sig` appears in the base workspace.
- 3 In the **Contents** pane, change the name of the signal object to a meaningful name. For example, name the object `mySignal` or `myState`.
  - 4 Select the signal object in the **Contents** pane. In the **Dialog** pane, in the **Storage class** drop-down list, select a storage class such as `ExportedGlobal`. Click **Apply**.
  - 5 Open the Signal Properties dialog box for a signal in a model, or open the **State Attributes** tab of a block dialog box. Specify **Signal name** or **State name** as `mySignal` or `myState` and click **Apply**.
  - 6 Select the check box next to **Signal name must resolve to Simulink signal object** or **State name must resolve to Simulink signal object**. Click **OK**.
  - 7 Generate code.

## Programmatically Create and Configure Signal Object for Code Generation

At the command prompt, you can control the code generation of a signal by creating a signal object.

- 1 Create a `Simulink.Signal` object named `mySignal` or `myState` in the base workspace.

```
mySignal = Simulink.Signal;
```

- 2 Specify a storage class for the object. For example, specify the storage class `ExportedGlobal`.

```
mySignal.StorageClass = 'ExportedGlobal';
```

The `StorageClass` property is a property of the `Simulink.CoderInfo` object that resides in the `CoderInfo` property of the signal object. However, you can use the preceding syntax to access the storage class property. You can also explicitly access the property by using the syntax `mySignal.CoderInfo.StorageClass`.

- 3 Open the Signal Properties dialog box for a signal in a model, or open the **State Attributes** tab of a block dialog box. Specify **Signal name** or **State name** as `mySignal` or `myState` and click **Apply**.
- 4 Select the check box next to **Signal name must resolve to Simulink signal object** or **State name must resolve to Simulink signal object**. Click **OK**.

- 5 Generate code.

## Apply Storage Classes Directly to Signal Lines and Block States

Through dialog boxes, you can apply storage classes directly to signal lines and block states. You do not need a data object that you store in a workspace or data dictionary. However, if you specify a storage class for a signal or state with this technique, you cannot use a signal object in a workspace to specify other characteristics of the signal or state, such as data type.

To apply a storage class directly to a signal line, use the Signal Properties dialog box. For a block state, use the **State Attributes** tab in the block dialog box.

- 1 Open the **Code Generation** tab in a Signal Properties dialog box, or the **State Attributes** tab in a block dialog box.
- 2 Specify a name in the **Signal name** box or the **State name** box. Click **Apply**.
- 3 In the **Storage class** drop-down list, select a storage class.

## Programmatically Apply Storage Classes Directly to Signals and States

To programmatically apply storage classes to signal lines and block states, use the function `set_param`. You can apply a storage class without creating a `Simulink.Signal` object in a workspace or data dictionary. The storage class specification is saved in the model file.

However, you can use this technique to specify only a storage class for the object. You must specify other signal or state characteristics, such as data type, in the source block dialog box. You cannot use a signal object in a workspace to specify these other characteristics.

This example shows how to programmatically apply a storage class to a signal line.

- 1 Open the example model `rtwdemo_secondOrderSystem`.

```
rtwdemo_secondOrderSystem
```

- 2 Get a handle to the output of the block named Force: `f(t)`.

```
portHandles = get_param('rtwdemo_secondOrderSystem/Force: f(t)', 'PortHandles');
```

```
outportHandle = portHandles.Output;
```

- 3 Set the name of the corresponding signal to ForceSignal.

```
set_param(outportHandle, 'Name', 'ForceSignal')
```

- 4 Set the storage class of the signal to ExportedGlobal.

```
set_param(outportHandle, 'StorageClass', 'ExportedGlobal')
```

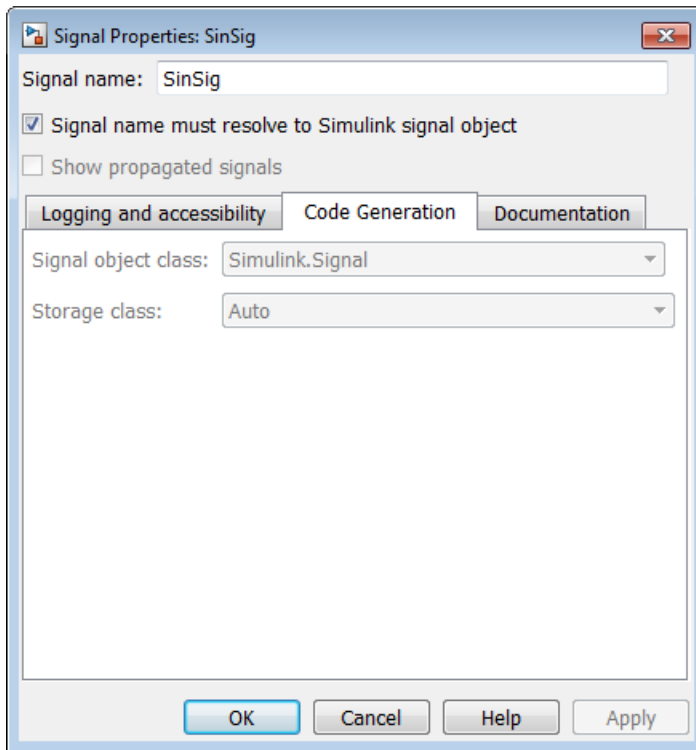
- 5 Generate code from the model. The code declares and defines a global variable ForceSignal to represent the signal.

To apply a storage class to a block state, using the function `set_param`, specify the block parameter `StateIdentifier` to name the state. Use the parameter `StateStorageClass` to specify a storage class.

To programmatically apply a custom storage class to a signal or state, use embedded signal objects. Custom storage classes do not affect the generated code unless you use an ERT-based code generation target, which requires Embedded Coder. You can also use this technique to set storage classes. See “Apply Custom Storage Classes Directly to Signal Lines and Block States” on page 10-38.

### Resolve Conflicts in Configuration of Signal Objects

If a signal is defined in the Signal Properties dialog box and a signal object of the same name is defined by using the command line or in the Model Explorer, the potential exists for ambiguity when the Simulink engine attempts to resolve the symbol representing the signal name. One way to resolve the ambiguity is to specify that a signal resolve to a Simulink data object. Select the **Signal name must resolve to Simulink signal object** option in the Signal Properties dialog box. You cannot specify the **Storage class** property on the **Code Generation** tab in the Signal Properties dialog box.



As the preceding figure shows, the **Storage class** menu is disabled because it is up to the `SinSig Simulink.Signal` object to specify its own storage class.

The signal and signal objects `SinSig` both have `SimulinkGlobal` storage class. Therefore, `SinSig` resolves to the signal object `SinSig`.

---

**Note** The rules for compatibility between block states/signal objects are identical to those given for signals/signal objects.

---

## Related Examples

- “Control Signal and State Initialization in the Generated Code”
- “Access Data During Execution by Using Data Interfaces” on page 6-3
- “Maximize Signal Storage Optimization”

- “Group Signals into Structures in the Generated Code Using Buses” on page 6-113
- “Control Signal Data Types”
- “Signal Representation in Generated Code”
- “Storage Classes for Signals Used with Model Blocks”
- “Default Data Structures in the Generated Code”

## Group Signals into Structures in the Generated Code Using Buses

Buses in a model represent multiple signals as a single signal line. You can use nonvirtual buses to create signal structures in the generated code.

To generate a flat structure, see “Structures for Signals” on page 3-79. To generate a nested structure, see “Nested Structures of Signals” on page 3-83.

For basic information about buses in models, see “Buses”.

### Import or Export Structure Variable and Definition

This example shows how to export the definition of a bus type and the declaration of a nonvirtual bus signal in generated code. You can control the bus type definition and the bus signal declaration in the generated code independently of each other.

#### Explore Example Model

- 1 Open the model `rtwdemo_slbus`.

The model creates a `Simulink.Bus` object `BusObject` in the base workspace.

- 2 Update the model diagram to display thick lines for composite signals, including buses.

The bus signal `S1` uses the bus type that `BusObject` defines.

#### Control Scope of Bus Type

To control code generated for a bus type that a `Simulink.Bus` object defines, adjust the code generation settings for the object.

The generated code represents nonvirtual bus types with `struct` definitions. The `struct` definitions contain fields corresponding to the elements of the bus.

- 1 At the command prompt, specify the `DataScope` property of `BusObject` as `'Exported'`.

```
BusObject.DataScope = 'Exported';
```

- 2 Specify the `HeaderFile` property of the object as `'myBusTypeHdr.h'`.

```
BusObject.HeaderFile = 'myBusTypeHdr.h';
```

### Control Scope of Bus Signal

You can use a `Simulink.Signal` object to control code generated for signals in a model, including composite signals such as buses. To control code generated for a nonvirtual bus signal, apply a storage class to the bus.

- 1 View the model in the Simulink Editor.
- 2 In the signal properties dialog box for the bus signal `S1`, select the option **Signal name must resolve to Simulink.Signal object**.
- 3 At the command prompt, create a `Simulink.Signal` object to represent the bus signal `S1`. Specify the data type of the object as `BusObject`.

```
S1 = Simulink.Signal;  
S1.DataType = 'Bus: BusObject';
```

- 4 Specify the storage class of the object as `ExportedGlobal`.

```
S1.StorageClass = 'ExportedGlobal';
```

For more information about applying storage classes to signals, see “Control Signals and States in Code by Applying Storage Classes” on page 6-103.

### Generate and Inspect Code

- 1 In the Simulink Editor, double-click the blue box labeled **Generate Code Using Simulink Coder**.
- 2 In the code generation report, view the generated file `myBusTypeHdr.h`. The code in the header file represents the bus type `BusObject` with a `struct` definition.

```
typedef struct {  
    real_T temperature;  
    real_T heat;  
    real_T pressure[20];  
} BusObject;
```

- 3 View the file `rtwdemo_slbus.c`. The code exports the declaration of the signal `S1` and uses the structure type `BusObject` in the declaration.

```
/* Exported block signals */  
BusObject S1;
```



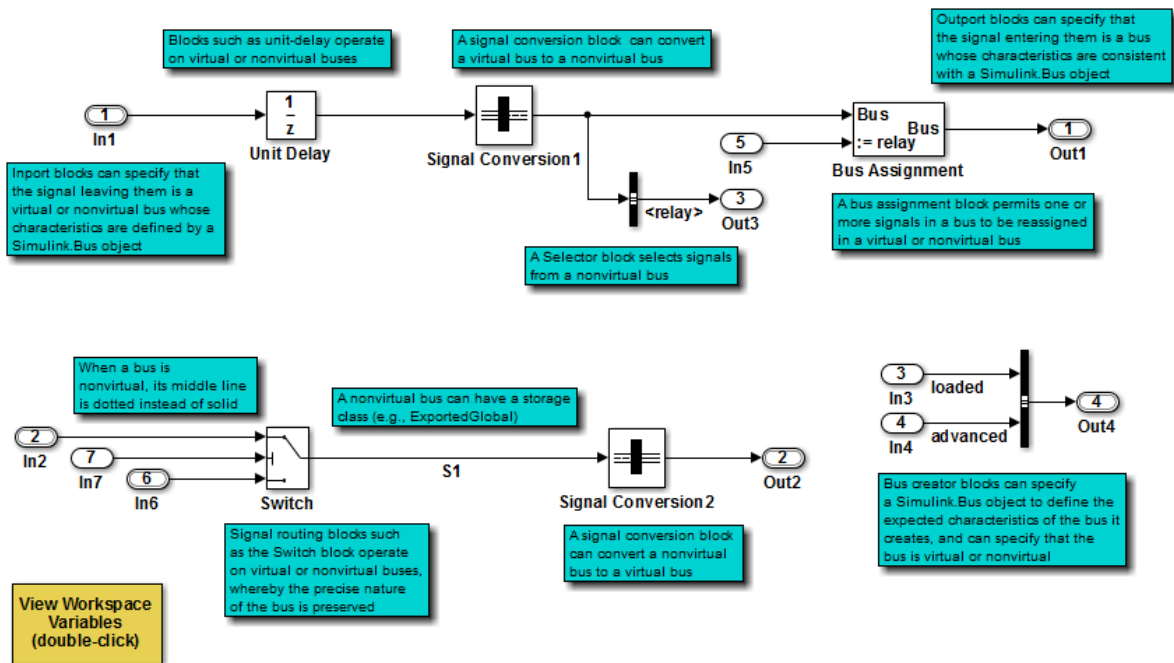
## Model Data Specifications with Bus Signals

Simulink® buses and bus objects are powerful modeling constructs that provide excellent data specification capabilities, particularly to specify system interfaces.

### Open Example Model

Open the example model `rtwdemo_slbus`.

```
open_system('rtwdemo_slbus');
```



Simulink buses and bus objects are powerful modeling constructs that provide excellent data specification capabilities, particularly to specify system interfaces.

To view the signal attributes for this model, choose Simulation > Update Diagram from the model toolbar, or press Ctrl+D. To view the Simulink bus objects in the base workspace, double-click the yellow button above.

Generate Code Using Simulink Coder (double-click)

Generate Code Using Embedded Coder (double-click)

To view the signal attributes for this model, on the model toolbar, choose **Simulation > Update Diagram**, or press **Ctrl+D**. To view the Simulink bus objects in the base workspace, double-click the yellow button in the model.

### See Also

`Simulink.Bus` | `Simulink.Signal`

### Related Examples

- “Generate Efficient Code for Bus Signals” on page 6-117
- “Use Different Sample Times for Signal Elements in a Bus”
- “Signal Representation in Generated Code” on page 6-92
- “Control Signals and States in Code by Applying Storage Classes” on page 6-103
- “Buses”

## Generate Efficient Code for Bus Signals

### In this section...

“Code Efficiency for Bus Signals” on page 6-117

“Set Bus Diagnostics” on page 6-118

“Optimize Virtual and Nonvirtual Buses” on page 6-118

In a model, you use bus signals to package multiple signals together into a single signal line. You can create virtual or nonvirtual bus signals. The representation in the generated code depends on:

- For a virtual bus, the generated code appears as if the bus did not exist.
- Generated code for a nonvirtual bus represents the bus data with a structure. When you want to trace the correspondence between the model and the code, the use of a structure in the generated code can be helpful. To generate structures using nonvirtual bus signals, see “Group Signals into Structures in the Generated Code Using Buses” on page 6-113.

For general information about buses, see “Virtual and Nonvirtual Buses”.

To generate efficient code from models that contain bus signals, eliminate unnecessary data copies by following best practices as you construct the model.

### Code Efficiency for Bus Signals

When you use buses in a model for which you intend to generate code:

- Setting bus diagnostic configuration parameters can make model development easier.
- The bus implementation techniques, and the choice of a nonvirtual or virtual bus, can influence the speed, size, and clarity of the generated code.
- Some useful bus implementation techniques are not immediately obvious.

When you work with buses, these guidelines help you to improve the results. The guidelines describe techniques to:

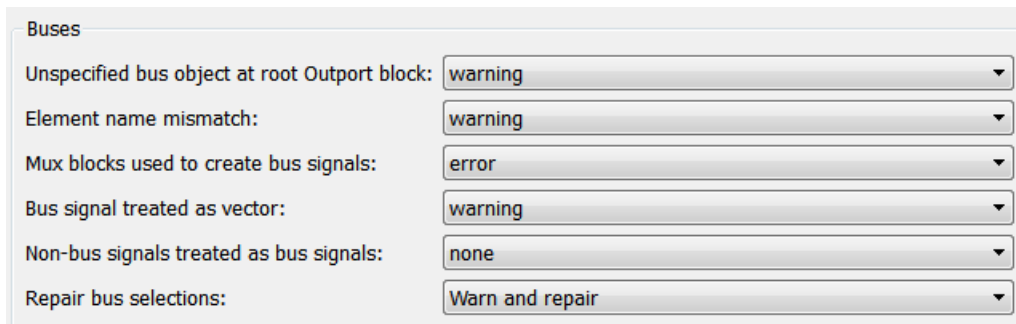
- Simplify the layout of the model.
- Increase the efficiency of generated code.
- Define data structures for function (subsystem) interfaces.

- Define data structures that match existing data structures in external C code.

There are some trade-offs among speed, size, and clarity. For example, the code for nonvirtual buses is easier to read because the buses appear in the code as structures, but the code for virtual buses is faster because virtual buses do not require copying signal data. Apply some of the guidelines based on where you are in the application development process.

### Set Bus Diagnostics

Simulink provides diagnostics that you can use to optimize bus usage. Set the following values on the **Configuration Parameters > Diagnostics > Connectivity** pane.



Buses	
Unspecified bus object at root Output block:	warning
Element name mismatch:	warning
Mux blocks used to create bus signals:	error
Bus signal treated as vector:	warning
Non-bus signals treated as bus signals:	none
Repair bus selections:	Warn and repair

**Bus signal treated as vector** is enabled only when **Mux blocks used to create bus signals** is set to **error**. For more information, see “Prevent Bus and Mux Mixtures”.

### Optimize Virtual and Nonvirtual Buses

Virtual buses are graphical conveniences that do not affect generated code. As a result, the code generation engine is able to fully optimize the signals in the bus. Use virtual buses rather than nonvirtual buses wherever possible. You can convert between virtual and nonvirtual buses by using **Signal Conversion** blocks. In some cases, Simulink automatically converts a virtual bus to a nonvirtual bus when required. For example, a Stateflow chart converts an input virtual bus to a nonvirtual bus.

To bundle function-call signals, you must use a virtual bus.

You must use nonvirtual buses for:

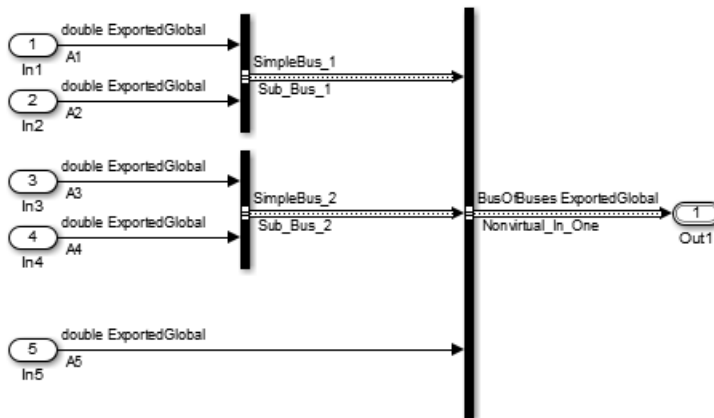
- Nonauto storage classes
- Generating a specific structure from the bus
- Root-level Inport or Outport blocks when the bus has mixed data types

### Avoid Nonlocal Nested Buses in Nonvirtual Buses

Buses can contain subordinate buses. To generate efficient code, set the storage classes of subordinate buses to **Auto**. Setting the storage class to **Auto** eliminates:

- Allocation of redundant memory for the subordinate bus signal and for the parent bus signal
- Additional copy operations (copying data to the subordinate bus, and then copying from the subordinate bus to the final bus)

This model contains nonvirtual bus signals. The subordinate bus signals **Sub\_Bus\_1** and **Sub\_Bus\_2** use the storage class **Auto**.



The generated code algorithm efficiently assigns the input signal data to the bus signals.

```
void ex_nonvirtual_buses_step(void)
{
    Nonvirtual_In_One.SimpleBus_1.A1 = A1;
    Nonvirtual_In_One.SimpleBus_1.A2 = A2;
    Nonvirtual_In_One.SimpleBus_2.A3 = A3;
    Nonvirtual_In_One.SimpleBus_2.A4 = A4;
    Nonvirtual_In_One.A5 = A5;
}
```

```
}
```

### **See Also**

`Simulink.Bus`

### **Related Examples**

- “Group Signals into Structures in the Generated Code Using Buses” on page 6-113
- “Use Different Sample Times for Signal Elements in a Bus”

## Maximize Signal Storage Optimization

The value of the “Maximum stack size (bytes)” parameter, on the **Optimization > Signals and Parameters** pane of the Configuration Parameters dialog box constrains the use of stack space used by local block output variables. The command-line equivalent for this parameter is `MaxStackSize`. If the accumulated size of variables in local memory exceeds `MaxStackSize`, the product places subsequent local variables in global memory space.

If it is important that you maximize potential for signal storage optimization, then set `MaxStackSize` to accommodate the size and number of signals in your model. This minimizes overflow into global memory space and maximizes use of local memory. Local variables offer more optimization potential through mechanisms such as expression folding and buffer reuse. See “Customize Stack Space Allocation” for more information.

### Related Examples

- “Customize Stack Space Allocation”
- “Signal Representation in Generated Code”

## Control Signal and State Initialization in the Generated Code

To initialize signals and discrete states with custom values for simulation and code generation, you can use signal objects and block parameters. Data initialization increases application reliability and is a requirement of safety critical applications. Initializing signals for both simulation and code generation can expedite transitions between phases of Model-Based Design.

For basic information about specifying initial values for signals and discrete states in a model, see “Initialize Signals and Discrete States”.

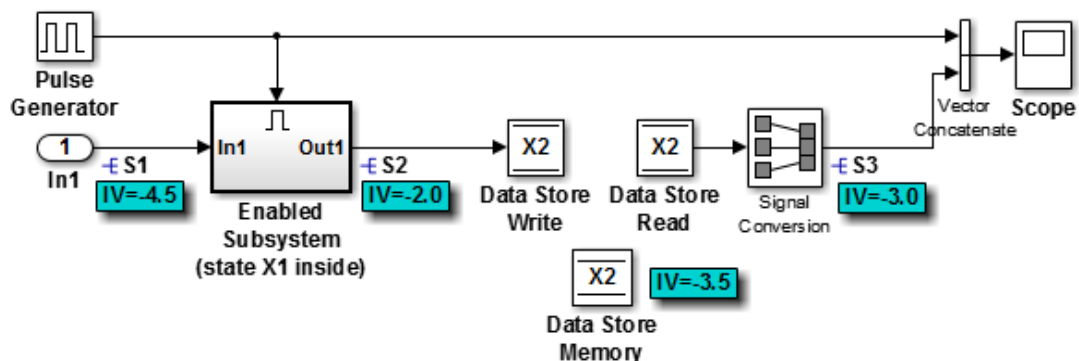
### Signal and State Initialization in the Generated Code

The initialization behavior for code generation is the same as that for model simulation with the following exceptions:

- RSim executables can use the **Data Import/Export** pane of the Configuration Parameters dialog box to load input values from MAT-files. GRT and ERT executables cannot load input values from MAT-files.
- The initial value for a block output signal or root level input or output signal can be overwritten by an external (calling) program.
- Setting the initial value for persistent signals is relevant if the value is used or viewed by an external application.

When you generate code, initialization statements are placed in *model.c* or *model.cpp* in the model's initialize code.

For example, consider the model *rtwdemo\_sigobj\_iv*.





If you create and initialize signal objects in the base workspace, the Simulink Coder product places initialization code for the signals in the file `rtwdemo_sigobj_iv.c` under the `rtwdemo_sigobj_iv_initialize` function, as shown below.

```
/* Model initialize function */
void rtwdemo_sigobj_iv_initialize(void)
{
    .
    .
    .
    /* exported global signals */
    S3 = -3.0;
    S2 = -2.0;
    .
    .
    /* exported global states */
    X1 = 0.0;
    X2 = 0.0;
    /* external inputs */
    S1 = -4.5;
    .
    .
    .
}
```

The following code shows the initialization code for the enabled subsystem's Unit Delay block state `X1` and output signal `S2`.

```
void MdlStart(void) {
    .
    .
    .
    /* InitializeConditions for UnitDelay: '<S2>/Unit Delay' */
    X1 = aa1;
    /* Start for enable system: '<Root>/Enabled Subsystem (state X1 inside)' */
    /* virtual outports code */
    /* (Virtual) Output Block: '<S2>/Out1' */
    S2 = aa2;
}
}
```

For an enabled subsystem, the initial value is also used as a reset value if the subsystem's Output block parameter **Output when disabled** is set to **reset**. The following code from `rtwdemo_sigobj_iv.c` shows the assignment statement for `S3` as it appears in the model output function `rtwdemo_sigobj_iv_output`.

```
/* Model output function */
static void rtwdemo_sigobj_iv_output(void)
```

```
{
    :
    :
    /* Disable for enable system: '<Root>/Enabled Subsystem (state X1 inside)' */
    /* (Virtual) Outport Block: '<S2>/Out1' */
    S2 = aa2;
```

### Generate Tunable Initial Conditions

You can represent initial conditions for signals and states by creating tunable global variables in the generated code. These variables allow you to restart an application by using initial conditions that are stored in memory.

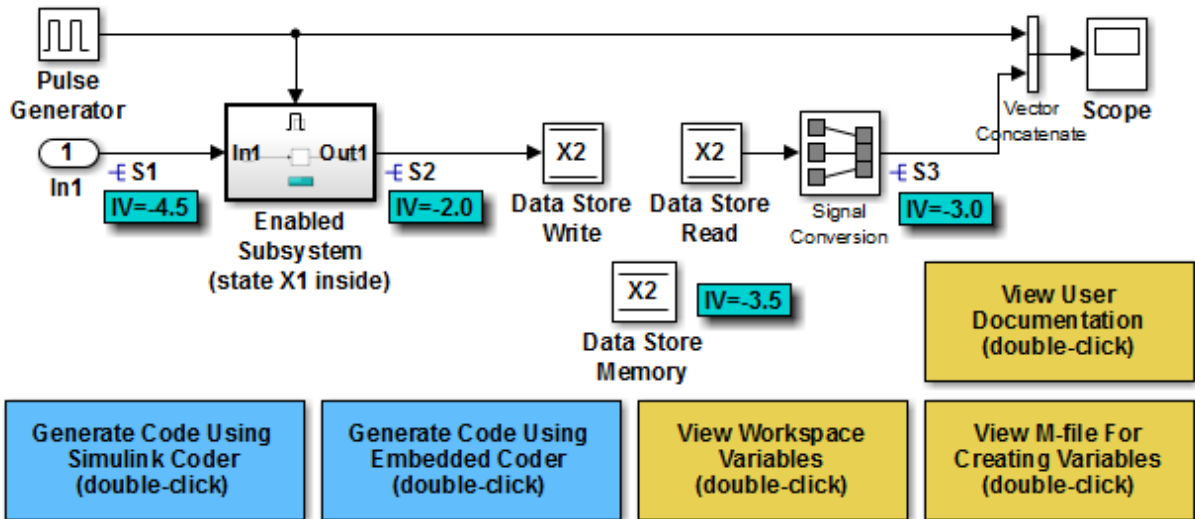
If you set **Configuration Parameters > Optimization > Signals and Parameters > Default parameter behavior** to **Tunable**, initial conditions appear as tunable fields of the global parameters structure.

Whether you set **Default parameter behavior** to **Tunable** or **Inlined**, you can use a tunable parameter to specify the **InitialValue** property of a signal object or the **Initial condition** parameter of a block. For basic information about tunable parameters, see “Control Parameter Representation and Declare Tunable Parameters in the Generated Code”.

This example shows how to use tunable parameters to specify initial conditions for signals and states.

#### Explore Example Model

Open the example model `rtwdemo_sigobj_iv`. The signal `S2` uses a `Simulink.Signal` object in the base workspace.



Copyright 1994-2015 The MathWorks, Inc.

Double-click the `Simulink.Signal` object `S2` to view its properties. The **Initial value** property is set to `aa2`. The object uses the variable `aa2` to specify an initial condition for the signal `S2`. The **Storage class** property is set to `ExportedGlobal`. To use a `Simulink.Signal` object to initialize a signal, the signal object must use a storage class other than `Auto` or `SimulinkGlobal`.

On the **Optimization > Signals and Parameters** pane in the Configuration Parameters dialog box, click **Configure**. The variable `aa2` is a tunable parameter that uses the storage class `ExportedGlobal`.

In the model, open the Enabled Subsystem. In the Outport block dialog box, the parameter **Output when disabled** is set to `reset`. When the subsystem becomes disabled, the output signal `S2` resets to the initial value `aa2`.

Open the Unit Delay block dialog box. On the **State Attributes** tab, the **State name** box is set to `X1`.

Open the Enable block dialog box. The parameter **States when enabling** is set to `reset`. When the subsystem transitions from a disabled state to an enabled state, it resets internal block states, such as `X1`, to their initial values.

In the base workspace, double-click the `Simulink.Signal` object `X1` to view its properties. The **Initial value** property is set to `aa1`.

Double-click the `Simulink.Parameter` object `aa1` to view its properties. The **Storage class** property is set to `ExportedGlobal`. You can generate tunable initial conditions for block states by using tunable parameters such as `aa1` and `Simulink.Signal` objects such as `X1`.

### Generate and Inspect Code

Generate code with the example model.

```
### Starting build procedure for model: rtwdemo_sigobj_iv
### Successful completion of build procedure for model: rtwdemo_sigobj_iv
```

In the code generation report, view the file `rtwdemo_sigobj_iv.c`. The code uses global variables to represent the block state `X1` and the signal `S2`.

```
/* Exported block states */
real_T X1;                               /* '<S2>/Unit Delay' */

/* Exported block signals */
real_T S1;                               /* '<Root>/In1' */
real_T S3;                               /* '<Root>/Signal Conversion' */
real_T S2;                               /* '<S2>/Unit Delay' */
```

The code uses global variables to represent the tunable parameters `aa1` and `aa2`.

```
/* Exported block parameters */
real_T aa1 = -2.5;                       /* Variable: aa1

real_T aa2 = -2.0;                       /* Variable: aa2
```

The model initialization function uses the tunable parameter `aa1` to initialize the state `X1`. The function also uses the tunable parameter `aa2` to initialize the signal `S2`.

```
/* SystemInitialize for Enabled SubSystem: '<Root>/Enabled Subsystem (state X1 inside
/* InitializeConditions for UnitDelay: '<S2>/Unit Delay' */
X1 = aa1;

/* SystemInitialize for Output: '<S2>/Out1' */
S2 = aa2;
```

In the model step function, when the Enabled Subsystem transitions from a disabled state to an enabled state, the Unit Delay block state X1 resets to its initial value.

```
if (rtb_PulseGenerator > 0) {
    if (!rtwdemo_sigobj_iv_DW.EnabledSubsystemstateX1inside_M) {
        /* InitializeConditions for UnitDelay: '<S2>/Unit Delay' */
        X1 = aa1;
        rtwdemo_sigobj_iv_DW.EnabledSubsystemstateX1inside_M = true;
    }
}
```

If the Enabled Subsystem becomes disabled during code execution, the algorithm uses the tunable initial condition **aa2** to set the value of the signal **S2**.

```
} else {

    if (rtwdemo_sigobj_iv_DW.EnabledSubsystemstateX1inside_M) {
        /* Disable for Output: '<S2>/Out1' */
        S2 = aa2;
        rtwdemo_sigobj_iv_DW.EnabledSubsystemstateX1inside_M = false;
    }
}
```

## Generate Tunable Initial Condition Structure for Bus Signal

When you use a MATLAB® structure to specify initialization values for the signal elements in a bus, you can create a tunable global structure in the generated code.

If you set **Configuration Parameters > Optimization > Signals and Parameters > Default parameter behavior** to **Tunable**, the initial condition appears as a tunable substructure of the global parameters structure.

Whether you set **Default parameter behavior** to **Tunable** or **Inlined**, you can specify the initial condition by using a tunable `Simulink.Parameter` object whose value is a structure. If you apply a storage class other than `Auto` to the parameter object, the structure is tunable in the generated code.

To generate efficient code by avoiding data type mismatches between the structure and the bus signal, use either:

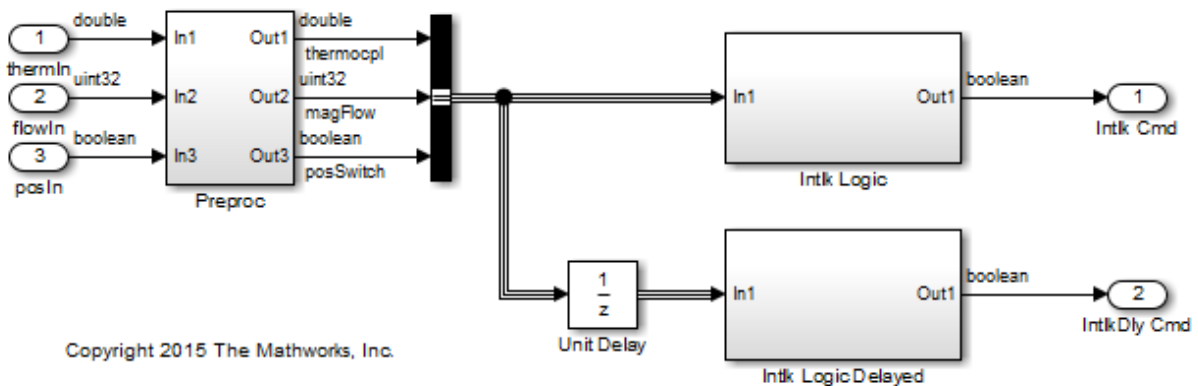
- Typed expressions to specify the values of the structure fields. Match the data type of each field with the data type of the corresponding signal element.
- A `Simulink.Bus` object to control the data types of the structure fields and the signal elements.

For basic information about using structures to initialize bus signals, and to decide how to control field data types, see “Specify Initial Conditions for Bus Signals”.

### Generate Tunable Initial Condition Structure

This example shows how to use a tunable structure parameter to initialize a virtual bus signal.

Open the example model `rtwdemo_tunable_init_struct`.



In the Inport block dialog boxes, open the **Signal Attributes** tab. Each Inport uses a different output data type.

Open the Bus Creator block dialog box. The block output is a virtual bus.

In the Configuration Parameters dialog box, open the **Optimization > Signals and Parameters** pane. The configuration parameter **Default parameter behavior** is set to **Tunable**. By default, block parameters, including initial conditions, appear in the generated code as tunable fields of the global parameters structure.

Open the Unit Delay block dialog box. Set **Initial condition** to a structure that specifies an initial condition for each of the three signal elements. To generate efficient code,

match the data types of the structure fields with the data types of the corresponding signal elements.

```
set_param('rtwdemo_tunable_init_struct/Unit Delay','InitialCondition',...
'struct(''thermocpl'',15.23,'magFlow',uint32(79),'posSwitch',false)')
```

Generate code from the example model.

```
### Starting build procedure for model: rtwdemo_tunable_init_struct
### Successful completion of build procedure for model: rtwdemo_tunable_init_struct
```

In the code generation report, view the file `rtwdemo_tunable_init_struct_types.h`. The code defines a structure type whose fields use the data types that you specified in the `struct` expression.

```
#ifndef DEFINED_TYPEDEF_FOR_struct_mqGi1jsItE0G7cf1bNqMu_
#define DEFINED_TYPEDEF_FOR_struct_mqGi1jsItE0G7cf1bNqMu_

typedef struct {
    real_T thermocpl;
    uint32_T magFlow;
    boolean_T posSwitch;
} struct_mqGi1jsItE0G7cf1bNqMu;
```

View the file `rtwdemo_tunable_init_struct.h`. The `struct` type definition of the global parameters structure contains a substructure, `UnitDelay_InitialCondition`, which represents the **Initial condition** parameter of the Unit Delay block.

```
struct P_rtwdemo_tunable_init_struct_T {
    struct_mqGi1jsItE0G7cf1bNqMu UnitDelay_InitialCondition; /* Mask Parameter: UnitDelay_
```

View the file `rtwdemo_tunable_init_struct_data.c`. This source file allocates memory for the global parameters structure. The substructure `UnitDelay_InitialCondition` appears.

```
/* Block parameters (auto storage) */
P_rtwdemo_tunable_init_struct_T rtwdemo_tunable_init_struct_P = {
    {
        15.23,
        79U,
        0
    },
    /* Mask Parameter: UnitDelay_InitialCondition
```

View the file `rtwdemo_tunable_init_struct.c`. The model initialization function uses the fields of the substructure to initialize the block states.

```

/* InitializeConditions for UnitDelay: '<Root>/Unit Delay' */
rtwdemo_tunable_init_struct_DW.UnitDelay_1_DSTATE =
    rtwdemo_tunable_init_struct_P.UnitDelay_InitialCondition.thermocpl;

/* InitializeConditions for UnitDelay: '<Root>/Unit Delay' */
rtwdemo_tunable_init_struct_DW.UnitDelay_2_DSTATE =
    rtwdemo_tunable_init_struct_P.UnitDelay_InitialCondition.magFlow;

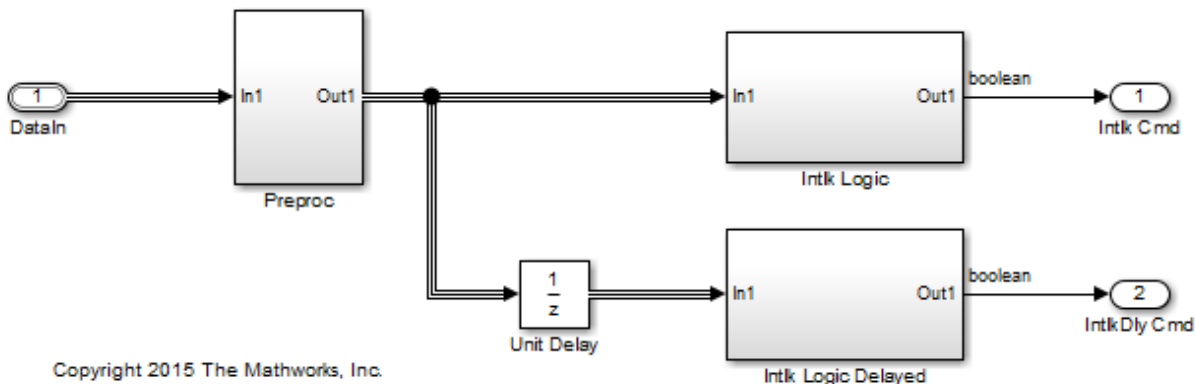
/* InitializeConditions for UnitDelay: '<Root>/Unit Delay' */
rtwdemo_tunable_init_struct_DW.UnitDelay_3_DSTATE =
    rtwdemo_tunable_init_struct_P.UnitDelay_InitialCondition.posSwitch;

```

### Use Bus Object to Specify Data Types

If you create a bus object, you can use it to specify the data type of the bus signal and the tunable initial condition structure. Before code generation, the `Simulink.Parameter` object casts the values of the structure fields to the data types of the signal elements. For basic information about creating bus objects and using them in models, see “Bus Objects”.

Open the example model `rtwdemo_init_struct_busobj`.



In the base workspace, double-click the `Simulink.Bus` object `ComponentData`. The object defines three signal elements: `thermocpl`, `magFlow`, and `posSwitch`. The elements each use a different data type.



Open the block dialog box for the Inport block DataIn. The output data type is set to Bus: ComponentData.

Create the tunable structure parameter `initStruct`. You can specify the field values by using untyped expressions. To improve readability, specify the field `posSwitch` with a Boolean value. Specify the `DataType` property of the parameter object as `'Bus: ComponentData'`.

```
initStruct = struct(...
    'thermocpl',15.23,...
    'magFlow',79,...
    'posSwitch',false ...
);

initStruct = Simulink.Parameter(initStruct);
initStruct.StorageClass = 'ExportedGlobal';
initStruct.DataType = 'Bus: ComponentData';
```

In the Unit Delay block dialog box, specify **Initial condition** as `initStruct`.

Generate code from the example model.

```
### Starting build procedure for model: rtwdemo_init_struct_busobj
### Successful completion of build procedure for model: rtwdemo_init_struct_busobj
```

In the code generation report, view the file `rtwdemo_init_struct_busobj_types.h`. The code creates a structure type `ComponentData` whose fields use the data types in the bus object.

```
#ifndef DEFINED_TYPEDEF_FOR_ComponentData_
#define DEFINED_TYPEDEF_FOR_ComponentData_

typedef struct {
    real_T thermocpl;
    uint32_T magFlow;
    boolean_T posSwitch;
} ComponentData;
```

View the file `rtwdemo_init_struct_busobj.c`. The code creates a global variable to represent the tunable parameter object `initStruct`.

```
/* Exported block parameters */
```

```
ComponentData initStruct = {  
    15.23,  
    79U,  
    0  
}; /* Variable: initStruct
```

The model initialization function uses the structure fields to initialize the block states.

```
/* InitializeConditions for UnitDelay: '<Root>/Unit Delay' */  
rtwdemo_init_struct_busobj_DW.UnitDelay_1_DSTATE = initStruct.thermocpl;  
  
/* InitializeConditions for UnitDelay: '<Root>/Unit Delay' */  
rtwdemo_init_struct_busobj_DW.UnitDelay_2_DSTATE = initStruct.magFlow;  
  
/* InitializeConditions for UnitDelay: '<Root>/Unit Delay' */  
rtwdemo_init_struct_busobj_DW.UnitDelay_3_DSTATE = initStruct.posSwitch;
```

To change the data type of any of the three signal elements, specify the new type in the bus object. The signal element in the model uses the new type. Before simulation and code generation, the parameter object `initStruct` casts the corresponding structure field to the new type.

## Related Examples

- “Initialization Behavior Summary for Signal Objects”
- “Specify Initial Conditions for Bus Signals”
- “Control Signals and States in Code by Applying Storage Classes” on page 6-103
- “Parameter Storage in the Generated Code”
- “Signal Representation in Generated Code” on page 6-92

## Continuous Block State Naming in Generated Code

### In this section...

“Default Block State Naming Convention” on page 6-133

“Define User Block State Names” on page 6-134

To determine the variable or field name generated for a continuous block state, do one of the following:

- Use a default name created by the code generator.
- In the block parameter dialog box, in the **State name** field, specify a name.

These names apply to the following continuous blocks:

- Integrator
- Integrator Limited
- Second-Order Integrator
- Second-Order Integrator Limited
- PID Controller
- PID Controller (2DOF)
- State Space
- Transfer Fcn
- Variable Time Delay
- Variable Transport Delay
- Zero-Pole

To name states for other types of blocks, see “Discrete Block State Naming in Generated Code” on page 6-135.

### Default Block State Naming Convention

If you do not define a symbolic name for a block state, the code generator uses the following default naming convention:

Name#\_CSTATE

- **Name** is the name of the block type, such as `Integrator`. If you edit the block type name displayed in the model, the code generator uses that name in the identifier.
- **#** is a unique ID number (#) assigned by the code generator if multiple instances of the same block type appear in the model. The ID number is appended to **Name**.
- **\_CSTATE** is a string that is appended to the name and ID number.

For example, if you do not specify a state name for an `Integrator` block, the code generator creates the identifier:

```
rtX.Integrator_CSTATE = rtP.Integrator_IC;
```

If you specify, in the **State Name** field, 'myintegratorblockname' for an `Integrator` block, the code generator creates this identifier:

```
rtX.myintegratorblockname = rtP.Integrator_IC;
```

### Define User Block State Names

In the block parameters dialog box, you can define your own symbolic name for a block state.

- 1 In your model, double-click the block.
- 2 At the bottom of the block parameters dialog box, in the **State Name** field, enter the string that you want to use for the state name. Use single quotes around the state name.
- 3 Click **OK** or **Apply** to accept the value.
- 4 Generate code and examine it to see the new identifier name.

### Related Examples

- “Control Signals and States in Code by Applying Storage Classes”
- “Discrete Block State Naming in Generated Code” on page 6-135

## Discrete Block State Naming in Generated Code

In this section...
“Default Block State Naming Convention” on page 6-136
“Define User Block State Names” on page 6-137

To determine the variable or field name generated for a block's state, you can:

- Use a default name generated by the Simulink Coder product
- Define a symbolic name by using the **State name** field of the **State Attributes** tab in a block dialog box

To name states for certain continuous blocks, see “Continuous Block State Naming in Generated Code” on page 6-133.

For certain discrete block types, you can control how block states in your model are stored and represented in the generated code. In a block dialog box, using the **State Attributes** tab, you can:

- Assign symbolic names to block states in generated code.
- Control whether states declared in generated code are interfaceable (visible) to externally written code.
- Specify that states be stored in locations declared by externally written code.

Discrete blocks that you can control how block states are stored and represented in the generated code are:

- Discrete Filter
- Discrete PID Controller
- Discrete PID Controller (2DOF)
- Discrete State-Space
- Discrete-Time Integrator
- Discrete Transfer Fcn
- Discrete Zero-Pole
- Memory
- Unit Delay
- Delay

These blocks require persistent memory to store values representing the state of the block between consecutive time intervals. By default, such values are stored in a *data type work vector*. This vector is usually referred to as the *DWork* vector. It is represented in generated code as *model\_DWork*, a global data structure.

If you want to interface a block state to your handwritten code, you can specify that the state is stored to a location other than the *DWork* vector. You do this by assigning a storage class to the block state.

## Default Block State Naming Convention

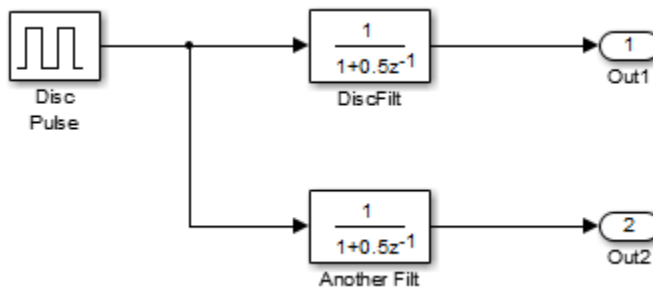
If you do not define a symbolic name for a block state, the Simulink Coder product uses the following default naming convention:

`BlockType#_DSTATE`

where

- `BlockType` is the name of the block type (for example, `Discrete_Filter`). If you edit the block type name displayed in the model, the code generator uses that name in the identifier.
- `#` is a unique ID number (`#`) assigned by the Simulink Coder product if multiple instances of the same block type appear in the model. The ID number is appended to `BlockType`.
- `_DSTATE` is a string that is appended to the block type and ID number.

For example, consider the model shown in the next figure.



**Model with Two Discrete Filter Block States**

Examine the code generated for the states of the two `Discrete Filter` blocks. Assume that:

- Neither blocks state has a user-defined name.
- The upper `Discrete Filter` block has `Auto` storage class (and is therefore stored in the `DWork` vector).
- The lower `Discrete Filter` block has `ExportedGlobal` storage class.

The states of the two `Discrete Filter` blocks are stored in `DWork` vectors, initialized as shown in the code:

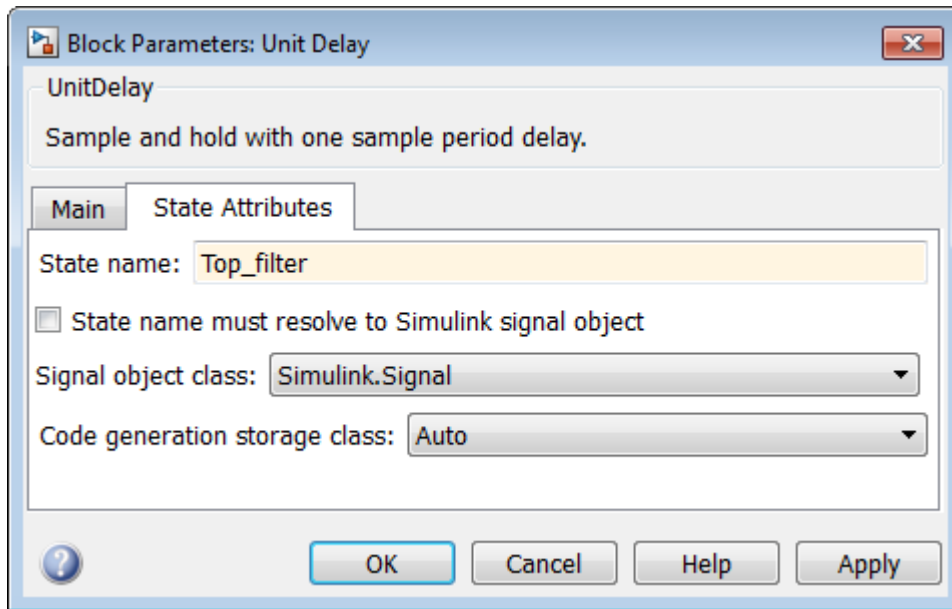
```
/* data type work */
disc_filt_states_M->Work.dwork = ((void *)
&disc_filt_states_DWork);
(void)memset((char_T *) &disc_filt_states_DWork, 0,
sizeof(D_Work_disc_filt_states));
{
    int_T i;
    real_T *dwork_ptr = (real_T *)
&disc_filt_states_DWork.DiscFilt_DSTATE;

    for (i = 0; i < 2; i++) {
        dwork_ptr[i] = 0.0;
    }
}
```

## Define User Block State Names

Using the **State Attributes** tab of a block dialog box, you can define your own symbolic name for a block state:

- 1 In your block diagram, double-click the desired block. This action opens the block dialog box, containing two or more tab, which includes **State Attributes**.
- 2 Click the **State Attributes** tab.
- 3 Enter the symbolic name in the **State name** field. For example, enter the state name `Top_filter`.
- 4 Click **Apply**.



5 Click **OK**.

The following state initialization code was generated from the example model shown in “Default Block State Naming Convention” on page 6-136, under the following conditions:

- The upper `Discrete Filter` block has the state name `Top_filter`, and `Auto` storage class (and is therefore stored in the `DWork` vector).
- The lower `Discrete Filter` block has the state name `Lower_filter`, and storage class `ExportedGlobal`.

`Top_filter` is placed in the `DWork` vector.

```

/* data type work */
    disc_filt_states_M->Work.dwork = ((void *)
&disc_filt_states_DWork);
    (void)memset((char_T *) &disc_filt_states_DWork, 0,
    sizeof(D_Work_disc_filt_states));
    disc_filt_states_DWork.Top_filter = 0.0;

    /* exported global states */

```



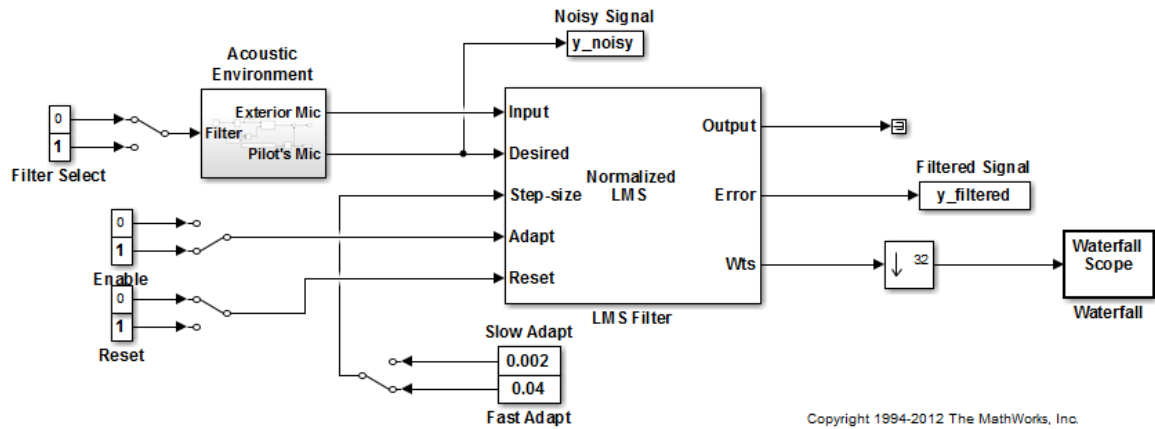
```
Lower_filter = 0.0;
```

## **Related Examples**

- “Control Signals and States in Code by Applying Storage Classes”
- “Continuous Block State Naming in Generated Code” on page 6-133

## Signal Processing with Fixed-Point Data

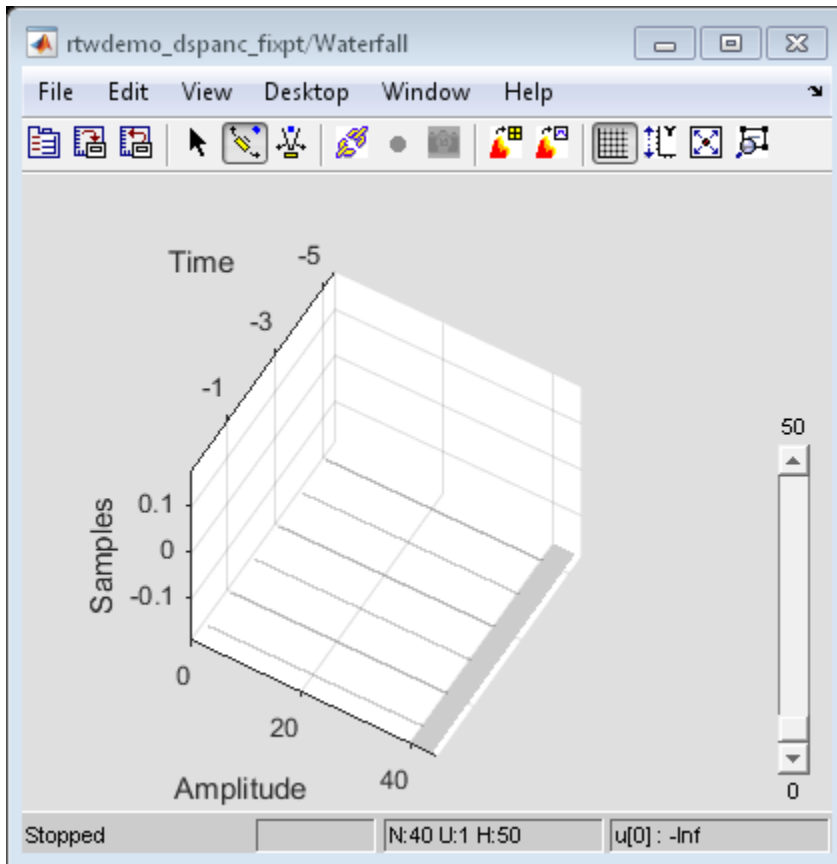
This model shows a fixed-point version of an acoustic noise canceller.



Generate Code Using  
Simulink Coder  
(double-click)

Generate Code Using  
Embedded Coder  
(double-click)

Acoustic Noise Canceler (Fixed-Point Version). See the Signal Processing Blockset documentation for details on the dspanc example.

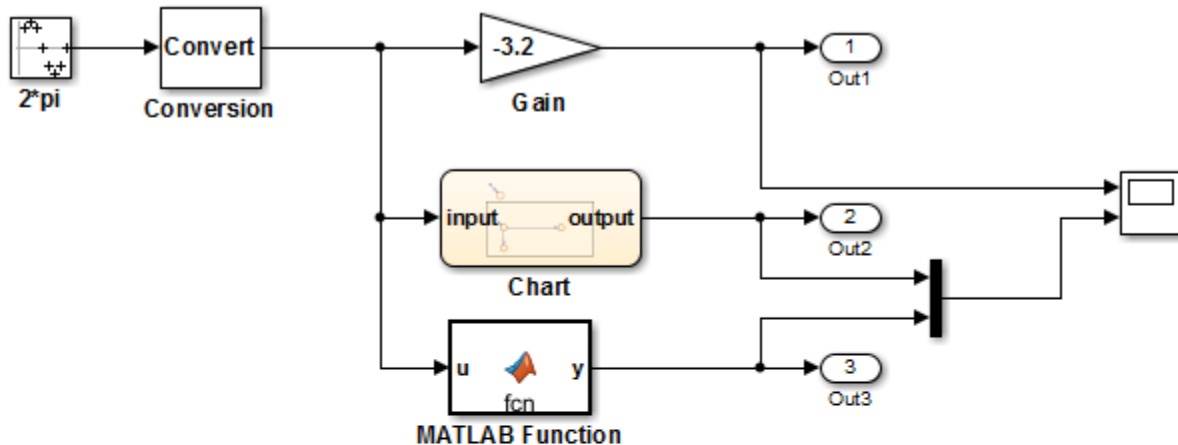


## More About

- “Fixed Point”
- “Acoustic Noise Cancellation (LMS)”

## Optimize Generated Code Using Fixed-Point Data with Simulink®, Stateflow®, and MATLAB®

This model shows fixed-point code generation in Simulink®, Stateflow®, and MATLAB®.



This introductory model shows fixed-point code generation in Simulink, Stateflow, and MATLAB. To generate and inspect the code, double-click the blue buttons below. An HTML report detailing the code is displayed automatically.

Generate Code Using  
Simulink Coder  
(double-click)

Generate Code Using  
Embedded Coder  
(double-click)

Copyright 1994-2012 The MathWorks, Inc.

### More About

- “Fixed Point”

# Data Definition and Declaration Management

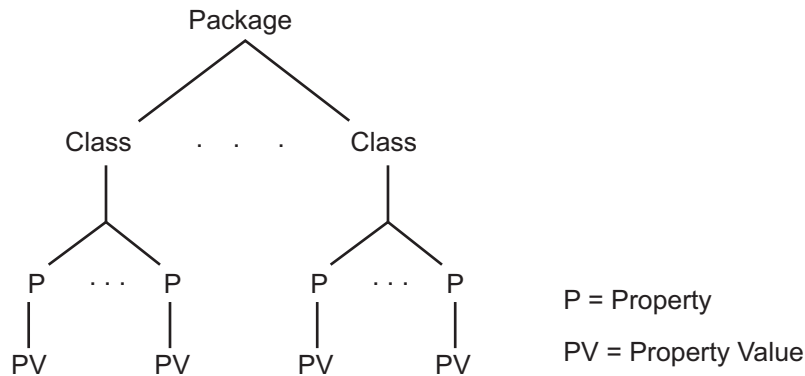
---

- “Overview of Data Objects” on page 7-2
- “Define Global Data Objects in Separate File” on page 7-3
- “Define Global Data Objects in Separate Files” on page 7-4

## Overview of Data Objects

Data objects include the parameters and signals that the source code uses, and a description of their properties. Data objects appear in the middle pane of the Model Explorer. They also appear in the MATLAB workspace. You can control the property values for each data object, thereby determining how each parameter and signal is defined and declared in generated code.

Simulink uses a hierarchy of terms that are drawn from object-oriented programming. For details, see “Data Objects” in the Simulink documentation. The sketch below summarizes this hierarchy.



You can use the `Simulink.Parameter` class to declare a data object for a parameter, where `Simulink` is the package name and `Parameter` is the class name. Likewise, an instance of a `Simulink.Signal` class, creates a data object for a signal. Signal data objects have a different set of properties than a parameter data objects. When you create a data object, you specify a values for each of the properties, which defines that object. For more information, see `Simulink.Parameter` and `Simulink.Signal`.

### Related Examples

- “Create Data Objects for Code Generation with Data Object Wizard” on page 11-2

## Define Global Data Objects in Separate File

In “Create Data Objects for Code Generation with Data Object Wizard” on page 11-2, you can place a model's data objects in the model source file. In this example, you can place global data objects in a file separate from the model source file:

- 1 Configure the model's generated code to include Simulink data objects (signal and parameter) in a separate definition file. Set **Diagnostics > Data Validity > Signal resolution** to **Explicit** and **implicit**.
- 2 Specify that data be defined in a separate file. Set **Code Generation > Code Placement > Data definition** to **Data defined in single separate source file**. Accept the default for **Data definition filename**, `global.c`
- 3 Specify that data be declared in a separate file. Set **Data declaration** to **Data declared in a single separate header file** and accept the default for **Data declaration filename**, `global.h`. Then, click **Apply**.
- 4 In the model, select **Code > C/C++ Code > Build Model**. Notice that the code generation report lists `global.c` and `global.h` files.
- 5 Inspect the code generation report. Notice that
  - The data objects formerly initialized in `rtwdemo_mpf.c` now are initialized in `global.c`.
  - The file `rtwdemo_mpf.c` includes `rtwdemo_mpf.h`.
  - The file `rtwdemo_mpf.h` includes `global.h`.

### Related Examples

- “Define Global Data Objects in Separate Files” on page 7-4
- “Control Signals and States in Code by Applying Storage Classes”
- “Control Parameter Representation and Declare Tunable Parameters in the Generated Code”
- “Data Objects”

# Define Global Data Objects in Separate Files

In “Define Global Data Objects in Separate File” on page 7-3, you placed global data objects in a separate definition file. You named that file `global.c` and the corresponding declaration file `global.h`. You can override this and place a specific data object in its own definition file. In the following example, you move the `Final` signal to a file called `finalsig.c`, and keep the other data objects defined in `global.c`:

- 1 In the Model Explorer, display the base workspace and select the `Final` signal object. The **Simulink.Signal** properties appear in the right pane.
- 2 In the **Code generation options** section, set **Storage class** to `ExportToFile`. Type `finalsig.h` in the **HeaderFile** text box, type `finalsig.c` in the **DefinitionFile** text box, and click **Apply**.
- 3 In the model, select **Code > C/C++ Code > Build Model**. The code generation report still lists `global.c` and `global.h`, but adds `finalsig.c` and `finalsig.h`.
- 4 Open the files to inspect them. Notice that the `Final` signal is defined in `finalsig.c`. Other data objects are defined in `global.c`.

## Related Examples

- “Define Global Data Objects in Separate File” on page 7-3
- “Control Signals and States in Code by Applying Storage Classes”
- “Control Parameter Representation and Declare Tunable Parameters in the Generated Code”
- “Data Objects”



# Data Types

---

- “What Are User-Defined Data Types?” on page 8-2
- “Control File Placement of User-Defined Types” on page 8-5
- “Create and Apply User-Defined Data Types” on page 8-8
- “Create Data Type Alias in the Generated Code” on page 8-11
- “Create a Named Fixed-Point Data Type in the Generated Code” on page 8-16
- “Use single Data Type as Default for Underspecified Types” on page 8-19
- “Specify Persistence Level for Signals and Parameters” on page 8-22
- “Register mpt User Object Types” on page 8-25
- “Data Type Replacement” on page 8-29
- “Specify Boolean and Data Type Limit Identifiers” on page 8-40

## What Are User-Defined Data Types?

User-defined data types are objects of the following data type classes.

- `Simulink.AliasType`
- `Simulink.Bus`
- `Simulink.NumericType`

You can apply user-defined data types to achieve the following objectives in generated code.

- Specify custom data type names for individual block parameters and signals by creating aliases of the built-in Simulink types. The aliases appear in the model diagram and in generated code. For more information, see “Create Data Type Alias in the Generated Code” on page 8-11.
- Map your own data type definitions to the built-in data types, and specify that your data types are to be used in generated code. For more information, see “Data Type Replacement” on page 8-29.
- Optionally, generate `#include` directives to import header files that contain your data type definitions. This technique allows you to use legacy data types in generated code.

In general, code generated from user-defined data objects conforms to the properties and attributes of the objects as defined for use in simulation. When generating code from user-defined data objects, the name of the object is the name of the data type that is used in the generated code. For `Simulink.NumericType` objects whose `IsAlias` property is false, the name of the functionally equivalent built-in or fixed-point Simulink data type is used instead.

To define and name your own fixed-point data type, create an object of the class `Simulink.NumericType`. To create your own data type as an alias of a built-in data type or an enumerated data type, use an object of the class `Simulink.AliasType`.

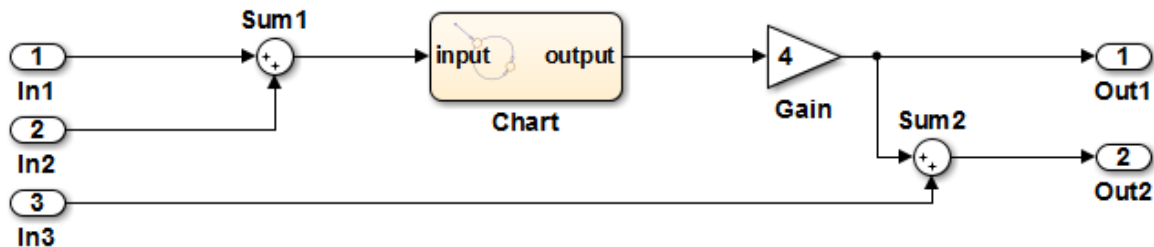
### Define Abstract Numeric Types and Rename Types

This model shows user-defined types, consisting of numeric and alias types. Numeric types allow you to define abstract numeric types, which is particularly useful for fixed-point types. Alias types allow you to rename types, which allows you create a relationship for types.

## Explore Example Model

Open the example model.

```
open_system('rtwdemo_udt')
```



View Data  
Type Objects  
(double-click)

View Data Type  
Replacements  
(double-click)

Generate Code Using  
Embedded Coder  
(double-click)

Copyright 1994-2015 The MathWorks, Inc.

## Key Features of User-Defined Types

- Displayed and propagated on signal lines
- Used to parameterize a model by type (e.g., In1 specifies its **Output data type** as ENG\_SPEED)
- Types with a common ancestor can be mixed, whereby the common ancestor is propagated (e.g., output of Sum1)
- Intrinsically supported by the Simulink Model Explorer
- Include an optional header file attribute that is ideal for importing legacy types (ignored for GRT targets)
- Types used in the generated code (ignored for GRT targets)

## Instructions

- 1 Inspect the user-defined types in the Model Explorer by double-clicking the first yellow button below.
- 2 Inspect the replacement data type mapping by double-clicking the second yellow button below.

- 3 Compile the diagram to display the types in this model (Simulation > Update Diagram or **Ctrl+D**).
- 4 Generate code with the blue button below and inspect model files to see how user-defined types appear in the generated code.
- 5 Modify the attributes of `ENG_SPEED` and `ENG_SPEED_OFFSET` and repeat steps 1-4.

### Notes

- User-defined types are a feature of Simulink that facilitate parameterization of the data types in a model. Embedded Coder preserves alias data type names (e.g., `ENG_SPEED`) in the generated code, whereas Simulink Coder implements user-defined types as their base type (e.g., `real32_T`).
- Embedded Coder also enables you to replace the built-in data types with user-defined data types in the generated code.

### See Also

“Data Objects”

### Related Examples

- “Create Data Type Alias in the Generated Code” on page 8-11
- “Data Type Replacement” on page 8-29

## Control File Placement of User-Defined Types

### In this section...

“Data Scope and Header File” on page 8-5

“Macro Guards” on page 8-6

When you use data type objects such as `Simulink.AliasType` to specify data types for signals and block parameters, the code generated from the model defines the types with `typedef` statements. To ease integration of the generated code with other existing code, you can control the file placement of the `typedef` statements by adjusting the properties of the objects.

### Data Scope and Header File

To control the file placement of a `typedef` statement in generated code, set the `DataScope` and `HeaderFile` properties of the data type object according to the table.

- *typename* is the name of the custom data type.
- *filename* is the name of a header file.
- *model* is the name of the model.

Goal	Specify DataScope as	Specify HeaderFile as
Export type definition to <i>model_types.h</i>	Auto	Empty
Import type definition from a header file that you create, <i>filename.h</i>	Auto or Imported	<i>filename.h</i>
Export type definition to a generated header file, <i>filename.h</i>	Exported	<i>filename.h</i>
Import type definition from a header file that you create, <i>typename.h</i>	Imported	Empty
Export type definition to a generated header file, <i>typename.h</i>	Exported	Empty

When you import a data type definition, the generated model code creates an `#include` directive for your header file in place of a `typedef` statement. You must supply the header file that contains the `typedef` statement.

By default, the generated `#include` directives use the preprocessor delimiter `"` instead of `<` and `>`. To generate the directive `#include <myTypes.h>`, specify the `HeaderFile` property as `<myTypes.h>`.

### Data Type Replacement

If you use Data Type Replacement to replace a built-in Simulink data type with your own data type in generated code, `typedef` statements and `#include` directives appear in `rtwtypes.h` instead of `model_types.h`.

### Macro Guards

When you export one or more data type definitions to a generated header file, the file contains a file-level macro guard of the form `RTW_HEADER_filename_h`.

Suppose you use several `Simulink.AliasType` objects: `mySingleAlias`, `myDoubleAlias`, and `myIntAlias` with these properties:

- `DataScope` set to `Exported`
- `HeaderFile` set to `myTypes.h`

When you generate code, the guarded file `myTypes.h` contains the `typedef` statements:

```
#ifndef RTW_HEADER_myTypes_h_
#define RTW_HEADER_myTypes_h_
#include "rtwtypes.h"

typedef real_T myDoubleAlias;
typedef real32_T mySingleAlias;
typedef int16_T myIntAlias;

#endif
```

When you export data type definitions to `model_types.h`, the file contains a macro guard of the form `_DEFINED_TYPEDEF_FOR_typename_` for each `typedef` statement. Suppose you use a `Simulink.AliasType` object `mySingleAlias` with these properties:

- `DataScope` set to `Auto`

- `HeaderFile` not specified

When you generate code, the file `model_types.h` contains the guarded `typedef` statement:

```
#ifndef _DEFINED_TYPEDEF_FOR_mySingleAlias_  
#define _DEFINED_TYPEDEF_FOR_mySingleAlias_  
  
typedef real32_T mySingleAlias;  
  
#endif
```

## See Also

[Simulink.AliasType](#) | [Simulink.Bus](#) | [Simulink.NumericType](#)

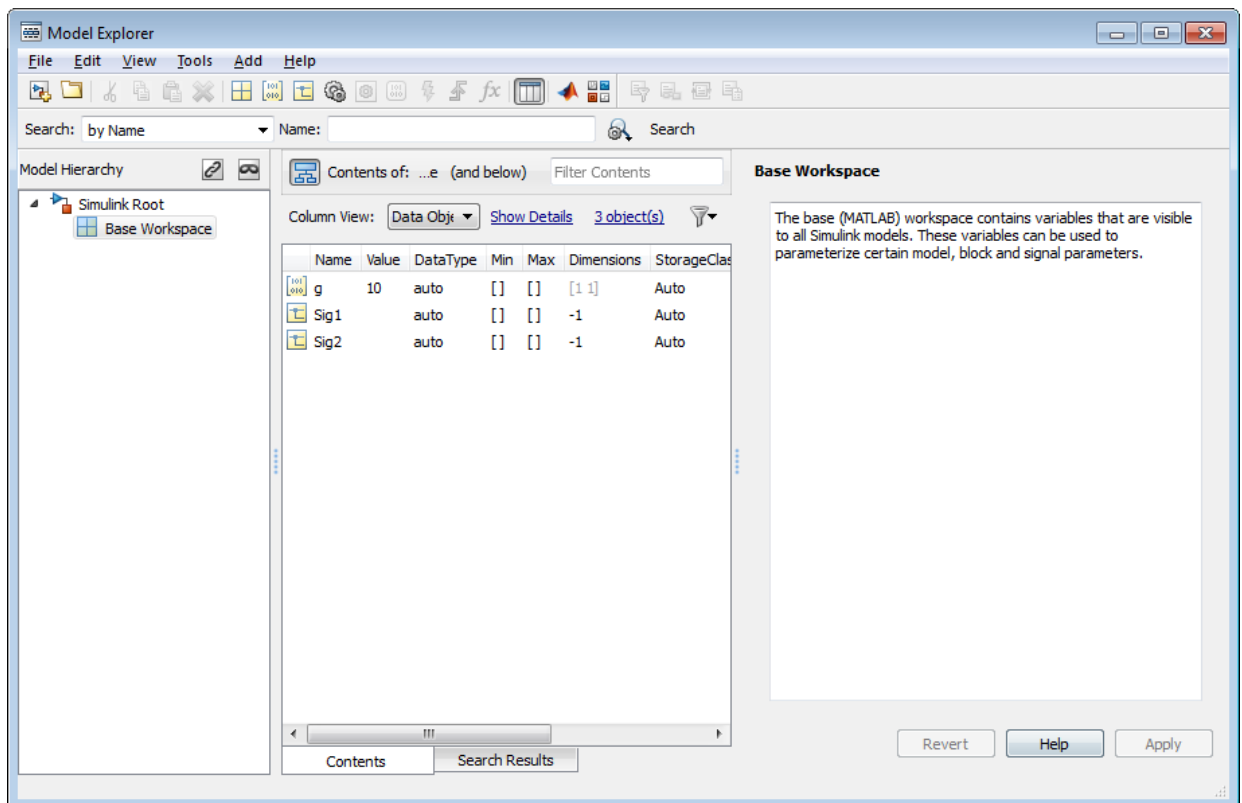
## Related Examples

- “Create Data Type Alias in the Generated Code” on page 8-11
- “Data Type Replacement” on page 8-29
- “What Are User-Defined Data Types?” on page 8-2

## Create and Apply User-Defined Data Types

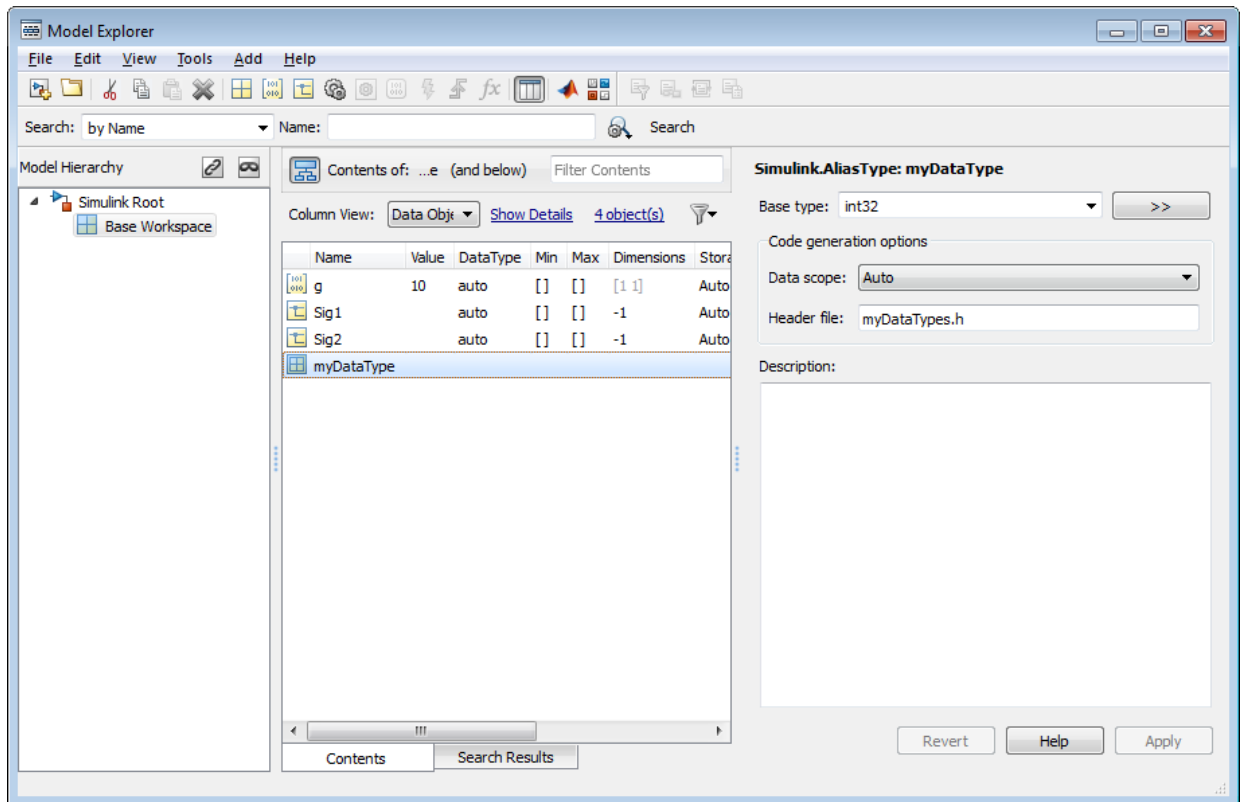
This example shows how to create user-defined data types and specify them for data objects.

- 1 Open the Model Explorer and create `Simulink.Signal` and `Simulink.Parameter` objects in the base workspace.



- 2 Click **Add** > **Simulink.AliasType** to create a data type object.
- 3 Name the object and set its **Base type** to `int32` and **Header file** to `myDataTypes.h`.

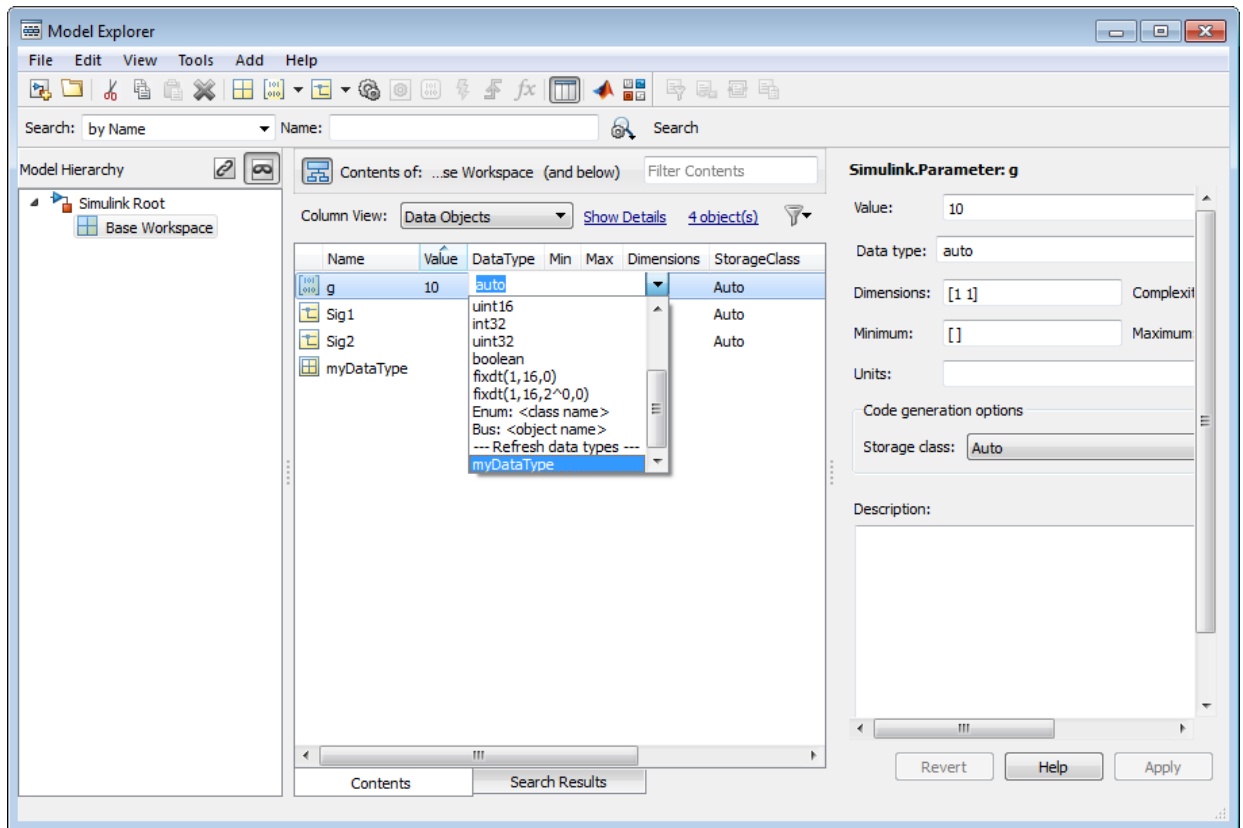




- 4 Select the data object for which you want to specify the user-defined data type. Click its **Data Type** field and from the drop down select **Refresh data types**.

This action updates the data type list with the user-defined data type you created.

- 5 Select the user-defined data type.



## See Also

Simulink.AliasType

## Related Examples

- “Create Data Type Alias in the Generated Code” on page 8-11
- “Data Objects”
- “Create Data Objects for Code Generation with Data Object Wizard” on page 11-2
- “Data Type Replacement” on page 8-29
- “Create a Named Fixed-Point Data Type in the Generated Code” on page 8-16

## Create Data Type Alias in the Generated Code

You can create your own data type in code that a model generates by using an alias of an existing type. You can use the alias to specify parameter and signal data types throughout a model diagram and in generated code.

You can use an alias for the built-in Simulink data types, custom enumerated types that you create, and fixed-point data types that you create. To create a data type alias, you use an object of the class `Simulink.AliasType`.

You can also rename a built-in Simulink type in code generated from a model without using a data type alias in the model diagram. For more information, see “Data Type Replacement”.

### Export Type Definition

When you integrate code generated from a model with code from other sources, your model code can create an exported `typedef` statement. Therefore, all of the integrated code can use the type. This example shows how to export the definition of a data type to a generated header file.

Create a `Simulink.AliasType` object named `mySingleAlias` that acts as an alias for the built-in data type `single`.

```
mySingleAlias = Simulink.AliasType('single')
```

```
mySingleAlias =
```

```
  AliasType with properties:
```

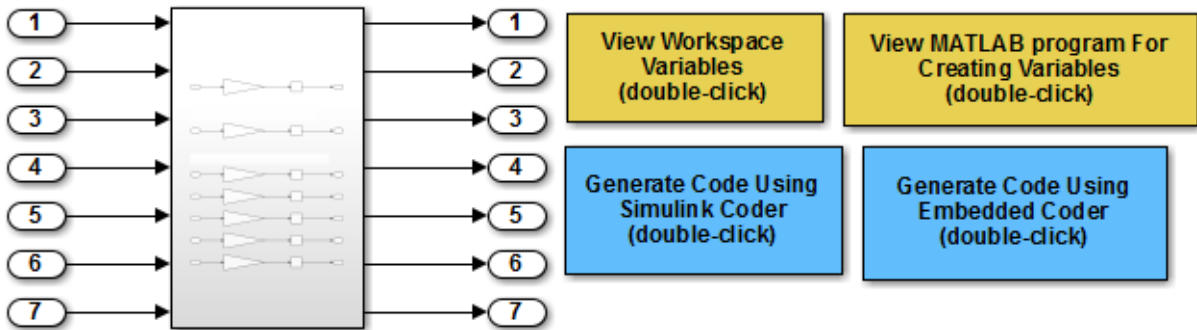
```
  Description: ''
  DataScope: 'Auto'
  HeaderFile: ''
  BaseType: 'single'
```

Configure the object to export its definition to a header file called `myHdrFile.h`.

```
mySingleAlias.DataScope = 'Exported';
mySingleAlias.HeaderFile = 'myHdrFile.h';
```

Open the model `rtwdemo_paramdt`.

```
open_system('rtwdemo_paramdt')
```



Copyright 1994-2015 The MathWorks, Inc.

The model creates a `Simulink.Parameter` object `Kuser` in the base workspace. The model uses `Kuser` as a parameter in a Gain block.

Set the data type of `Kuser` to the alias `mySingleAlias`.

```
Kuser.DataType = 'mySingleAlias';
```

At the model root, double-click the blue button labeled **Generate Code Using Embedded Coder**.

```
rtwconfiguredemo(bdroot,'noop',false,{});
rtwbuilddemomodel(bdroot)
```

In the code generation report, view the file `rtwdemo_paramdt.h`. The code creates a `#include` directive for the generated file `myHdrFile.h`.

```
file = fullfile('rtwdemo_paramdt_ert_rtw','rtwdemo_paramdt.h');
rtwdemodbtype(file,'#include "myHdrFile.h"',...
    '/* Macros for accessing real-time model data structure */',1,0)
```

```
#include "myHdrFile.h"
```

View the file `myHdrFile.h`. The code uses the identifier `mySingleAlias` as an alias for the data type `real32_T`. By default, generated code represents the Simulink data type `single` using the identifier `real32_T`.

The code also provides a macro guard of the form `RTW_HEADER_filename_h_`. When you export a data type definition to integrate generated code with code from other sources, you can use macro guards of this form to prevent identifier clashes.

```
file = fullfile('slprj','ert','_sharedutils','myHdrFile.h');
rtwdemodbtype(file,'#ifndef RTW_HEADER_myHdrFile_h_',...
    '/* RTW_HEADER_myHdrFile_h_ */',1,1)
```

```
#ifndef RTW_HEADER_myHdrFile_h_
#define RTW_HEADER_myHdrFile_h_
#include "rtwtypes.h"
```

```
typedef real32_T mySingleAlias;
```

View the file `rtwdemo_paramdt.c`. The code uses the data type alias `mySingleAlias` to define the variable `Kuser`.

```
file = fullfile('rtwdemo_paramdt_ert_rtw','rtwdemo_paramdt.c');
rtwdemodbtype(file,'mySingleAlias Kuser = 8.0F',...
    'mySingleAlias Kuser = 8.0F',1,1)
```

```
mySingleAlias Kuser = 8.0F;          /* Variable: Kuser
```

### Import Type Definition

When you integrate code generated from a model with code from other sources, to avoid redundant `typedef` statements, you can import a data type definition to the model code. This example shows how to import your own definition of a data type from a header file that you create.

Use a text editor to create a header file to import. Name the file `myHdrFile.h`. Place it in your working folder. Copy the following code into the file.

```
#ifndef HEADER_myHdrFile_h_
#define HEADER_myHdrFile_h_

typedef float myTypeAlias;

#endif
```

The code uses the identifier `myTypeAlias` to create an alias for the data type `float`. The code also uses a macro guard of the form `HEADER_filename_h`. When you import a data type definition to integrate generated code with code from other sources, you can use macro guards of this form to prevent identifier clashes.

At the command prompt, create a `Simulink.AliasType` object named `myTypeAlias` that creates an alias for the built-in type `single`. The Simulink data type `single` corresponds to the data type `float` in generated code.

```
myTypeAlias = Simulink.AliasType('single')
```

```
myTypeAlias =
```

```
  AliasType with properties:
```

```
  Description: ''
  DataScope: 'Auto'
  HeaderFile: ''
  BaseType: 'single'
```

Configure the object so that generated code imports the type definition from the header file `myImportedHdrFile.h`.

```
myTypeAlias.DataScope = 'Imported';
myTypeAlias.HeaderFile = 'myImportedHdrFile.h';
```

Open the model `rtwdemo_paramdt`.

```
open_system('rtwdemo_paramdt')
```

The model creates a `Simulink.Parameter` object `Kuser` in the base workspace. The model uses `Kuser` as a parameter in a Gain block.

Set the data type of `Kuser` to the alias `myTypeAlias`.

```
Kuser.DataType = 'myTypeAlias';
```

At the model root, double-click the blue button labeled **Generate Code Using Embedded Coder**.

```
rtwconfiguredemo(bdroot,'noop',false,{});
rtwbuilddemomodel(bdroot)
```

In the code generation report, view the file `rtwdemo_paramdt.h`. The code creates a `#include` directive for your header file `myImportedHdrFile.h`.

```
file = fullfile('rtwdemo_paramdt_ert_rtw','rtwdemo_paramdt.h');
rtwdemodbtype(file,'#include "myImportedHdrFile.h',...
    '/* Macros for accessing real-time model data structure */',1,0)
```

```
#include "myImportedHdrFile.h"
```

View the file `rtwdemo_paramdt.c`. The code uses the data type alias `myTypeAlias` to define the variable `Kuser`.

```
file = fullfile('rtwdemo_paramdt_ert_rtw','rtwdemo_paramdt.c');
rtwdemodbtype(file,'myTypeAlias Kuser = 8.0F','myTypeAlias Kuser = 8.0F',1,1)
```

```
myTypeAlias Kuser = 8.0F;          /* Variable: Kuser
```

## See Also

[Simulink.AliasType](#) | [Simulink.NumericType](#)

## Related Examples

- “Create and Apply User-Defined Data Types” on page 8-8
- “Data Type Replacement” on page 8-29
- “Use single Data Type as Default for Underspecified Types” on page 8-19
- “Create a Named Fixed-Point Data Type in the Generated Code” on page 8-16
- “What Are User-Defined Data Types?” on page 8-2
- “Data Objects”

## Create a Named Fixed-Point Data Type in the Generated Code

This example shows how to create and name a fixed-point data type in generated code. You can use the name of the type to specify parameter and signal data types throughout a model and in generated code.

Create a `Simulink.NumericType` object that defines a fixed-point data type. Name the object `myFixType`.

```
myFixType = fixdt(1,16,3)
```

```
myFixType =
```

```
    NumericType with properties:
```

```
        DataTypeMode: 'Fixed-point: binary point scaling'  
        Signedness: 'Signed'  
        WordLength: 16  
        FractionLength: 3  
        IsAlias: 0  
        DataScope: 'Auto'  
        HeaderFile: ''  
        Description: ''
```

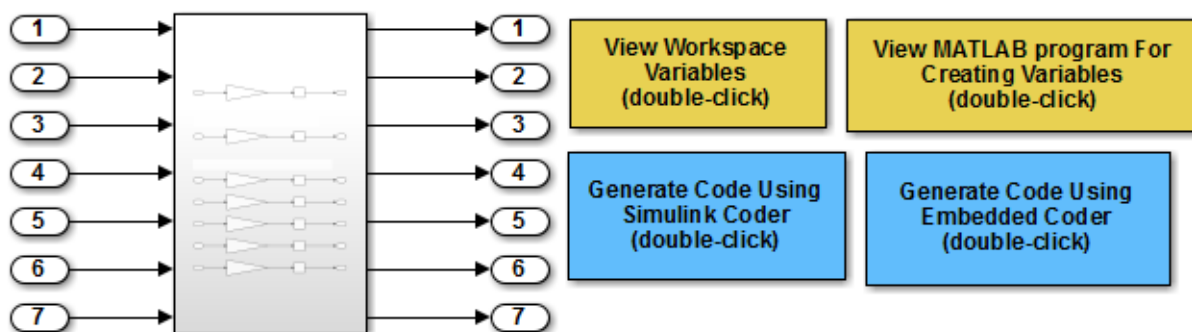
Use the name of the object as an alias for the fixed-point type in models and in generated code.

```
myFixType.IsAlias = true;
```

Open the model `rtwdemo_paramdt`.

```
open_system('rtwdemo_paramdt')
```





Copyright 1994-2015 The MathWorks, Inc.

The model creates a `Simulink.Parameter` object `Kuser` with value 8 in the base workspace. The model uses `Kuser` as a parameter in a Gain block.

Set the data type of `Kuser` to the fixed-point data type.

```
Kuser.DataType = 'myFixType';
```

At the top level of the model, set the output data type of the Inport block labeled 7 to `myFixType`.

```
set_param('rtwdemo_paramdt/In7', 'OutDataTypeStr', 'myFixType')
```

Open the subsystem.

Set the output data type of the Inport block labeled 7 to `myFixType`.

```
set_param('rtwdemo_paramdt/Subsystem/In7', 'OutDataTypeStr', 'myFixType')
```

At the top level of the model, double-click the blue button labeled **Generate Code Using Embedded Coder**.

```
rtwconfiguredemo(bdroot, 'noop', false, {})
rtwbuilddemomodel(bdroot)
```

In the code generation report, view the file `rtwdemo_paramdt.h`. The code defines the type `myFixType` based on an integer type of the specified word length.

```
file = fullfile('rtwdemo_paramdt_ert_rtw', 'rtwdemo_paramdt.h');
rtwdemodbtype(file, '#ifndef DEFINED_TYPEDEF_FOR_myFixType_', ...
```

```
    '#ifndef DEFINED_TYPEDEF_FOR_aliasType_',1,0)

#ifndef DEFINED_TYPEDEF_FOR_myFixType_
#define DEFINED_TYPEDEF_FOR_myFixType_

typedef int16_T myFixType;

#endif
```

View the file `rtwdemo_paramdt.c`. The code uses the type `myFixType`, which is an alias of the integer type `int16`, to define the variable `Kuser`.

```
file = fullfile('rtwdemo_paramdt_ert_rtw','rtwdemo_paramdt.c');
rtwdemodbtype(file,'myFixType Kuser = 64;', 'myFixType Kuser = 64;',1,1)

myFixType Kuser = 64;                                /* Variable: Kuser
```

The stored integer value **64** of `Kuser` is not the same as the real-world value **8** because of the scaling that the fixed-point data type `myFixType` specifies. For more information, see “Scaling” in the Fixed-Point Designer documentation.

The line of code that represents the Gain block applies a right bit shift corresponding to the fraction length specified by `myFixType`.

```
rtwdemodbtype(file,'rtY.Out7 = (myFixType)(Kuser * rtU.In7 >> 3);',...
    'rtY.Out7 = (myFixType)(Kuser * rtU.In7 >> 3);',1,1)

    rtY.Out7 = (myFixType)(Kuser * rtU.In7 >> 3);
```

## See Also

`fixdt` | `Simulink.NumericType`

## Related Examples

- “Create and Apply User-Defined Data Types” on page 8-8
- “What Are User-Defined Data Types?” on page 8-2
- “Data Objects”

## Use single Data Type as Default for Underspecified Types

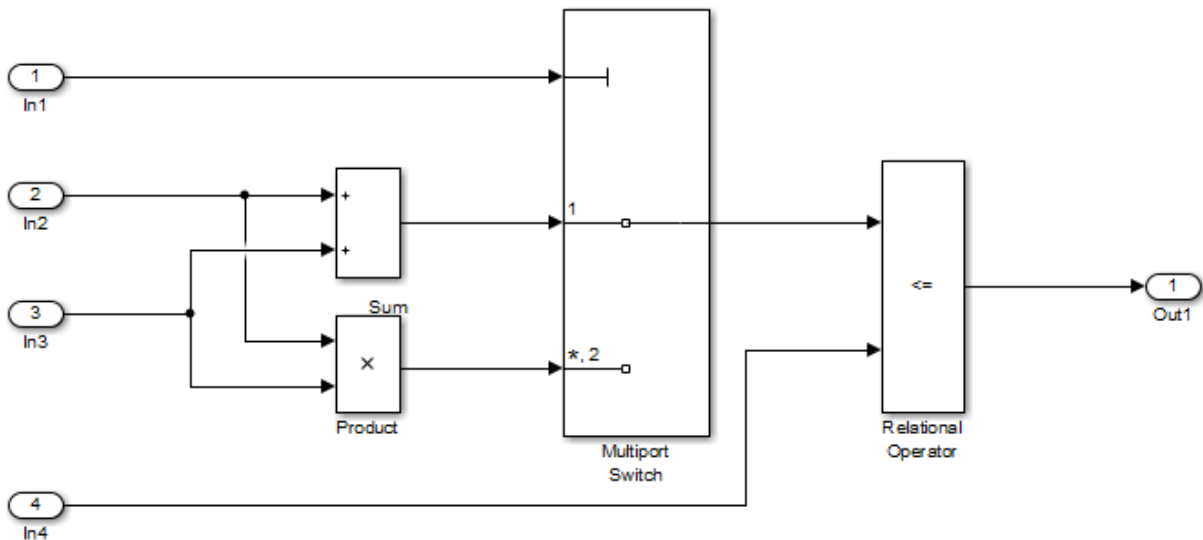
This example shows how to avoid introducing a double-precision data type in code generated for a single-precision hardware target.

If you specify an inherited data type for signals, but data type propagation rules cannot determine data types for the signals, the signal data types default to `double`. You can use a model configuration parameter to specify the default data type as `single`.

### Explore Example Model

Open the example model `rtwdemo_underspecified_datatype`.

```
model = 'rtwdemo_underspecified_datatype';
open_system(model);
```



Copyright 2014 The MathWorks, Inc.

The root inports `In2`, `In3`, and `In4` specify `Inherit: Auto` for the **Data type** block parameter. The downstream blocks also use inherited data types.

### Generate Code with `double` as Default Data Type

Create a temporary folder to contain the build files and folders.

```
currentDir = pwd;  
[~,cgDir] = rtwdemodir();
```

Build the model using Embedded Coder.

```
rtwbuild(model)  
  
### Starting build procedure for model: rtwdemo_underspecified_datatype  
### Successful completion of build procedure for model: rtwdemo_underspecified_datatype
```

In the code generation report, view the file `rtwdemo_underspecified_datatype.h`. The code uses the `double` data type to define the variables `In2`, `In3`, and `In4` because the Inport data types are underspecified in the model.

```
cfile = fullfile(cgDir,'rtwdemo_underspecified_datatype_ert_rtw',...  
    'rtwdemo_underspecified_datatype.h');  
rtwmodbtype(cfile,...  
    '/* External inputs (root inport signals with auto storage) */',...  
    '/* External outputs (root outports fed by signals with auto storage) */', 1, 0);  
  
/* External inputs (root inport signals with auto storage) */  
typedef struct {  
    int8_T In1;           /* '<Root>/In1' */  
    real_T In2;          /* '<Root>/In2' */  
    real_T In3;          /* '<Root>/In3' */  
    real_T In4;          /* '<Root>/In4' */  
} ExtU_rtwdemo_underspecified_d_T;
```

### Generate Code with `single` as Default Data Type

Open the Configuration Parameters dialog box. On the **Optimization** pane, select `single` in the **Default for underspecified data type** drop-down list.

Alternatively, enable the optimization at the command prompt.

```
set_param(model, 'DefaultUnderspecifiedDataType', 'single');
```

Build the model using Embedded Coder.

```
rtwbuild(model)
```

```
### Starting build procedure for model: rtwdemo_underspecified_datatype
### Successful completion of build procedure for model: rtwdemo_underspecified_datatype
```

In the code generation report, view the file `rtwdemo_underspecified_datatype.h`.  
The code uses the `single` data type to define the variables `In2`, `In3`, and `In4`.

```
rtwdemodbtype(cfile,...
    /* External inputs (root inport signals with auto storage) */,...
    /* External outputs (root outports fed by signals with auto storage) */', 1, 0);

/* External inputs (root inport signals with auto storage) */
typedef struct {
    int8_T In1;           /* '<Root>/In1' */
    real32_T In2;        /* '<Root>/In2' */
    real32_T In3;        /* '<Root>/In3' */
    real32_T In4;        /* '<Root>/In4' */
} ExtU_rtwdemo_underspecified_d_T;
```

Close the model and delete build files.

```
bdclose(model)
rtwdemoclean;
cd(currentDir)
```

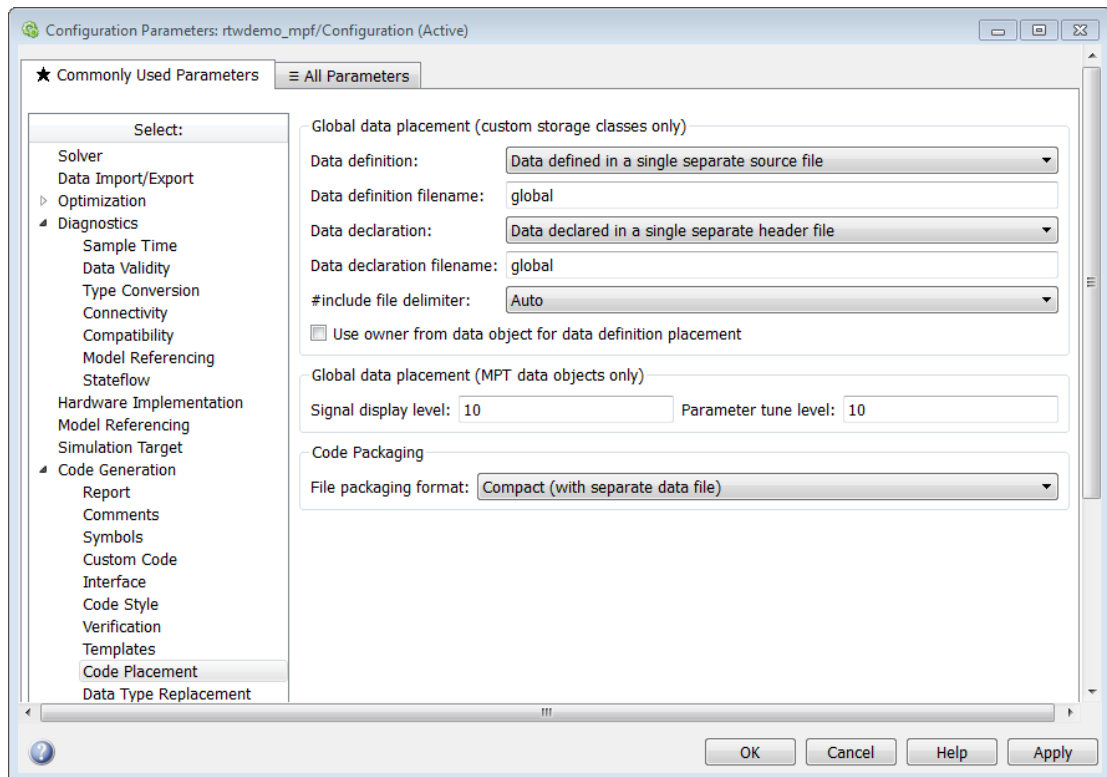
## See Also

“Default for underspecified data type” | “Underspecified data types”

## Specify Persistence Level for Signals and Parameters

With this procedure, you can control the persistence level of signal and parameter objects associated with a model. Persistence level allows you to make intermediate variables or parameters global during initial development. At the later stages of development, you can use this procedure to remove these signals and parameters for efficiency. Use the **Persistence Level** property of `mpt.Signal` and `mpt.Parameter` data objects. For descriptions of the properties on the Model Explorer, see “MPT Data Object Properties” on page 9-2.

Notice also the **Signal display level** and **Parameter tune level** fields on the **Code Placement** pane of the Configuration Parameters dialog box, as illustrated in the next figure.



The **Signal display level** field allows you to specify whether or not the code generator defines a signal data object as global data in the generated code. The number you specify in this field is relative to the number you specify in the **Persistence level** field. The **Signal display level** number is for `mpt` (module packaging tool) signal data objects in the model. The **Persistence level** number is for a *particular* `mpt` signal data object. If the data object's **Persistence level** is equal to or less than the **Signal display level**, the signal appears in the generated code as global data with the custom attributes that you specified. For example, this would occur if **Persistence level** is 2 and **Signal display level** is 5.

Otherwise, the code generator automatically determines how the particular signal data object appears in the generated code. Depending on the settings on the **Optimization** pane of the Configuration Parameters dialog box, the signal data object could appear in the code as local data without the custom attributes you specified for that data object. Or, based on expression folding, the code generator could remove the data object so that it does not appear in the code. For more information, see “Code Optimization Basics”.

The **Parameter tune level** field allows you to specify whether or not the code generator declares a parameter data object as tunable global data in the generated code.

The number you specify in this field is relative to the number you specify in the **Persistence level** field. The **Parameter tune level** number is for `mpt` parameter data objects in the model. The **Persistence level** number is for a *particular* `mpt` parameter data object. If the data object's **Persistence level** is equal to or less than the **Parameter tune level**, the parameter appears tunable in the generated code with the custom attributes that you specified. For example, this would occur if **Persistence level** is 2 and **Parameter tune level** is 5.

Otherwise, the parameter is inlined in the generated code, and the code generation settings determine its exact form.

Note that, in the initial stages of development, you might be more concerned about debugging than code size. Or, you might want one or more particular data objects to appear in the code so that you can analyze intermediate calculations of an equation. In this case, you might want to specify the **Parameter tune level (Signal display level for signals)** to be higher than **Persistence level** for some `mpt` parameter (or signal) data objects. This results in larger code size, because the code generator defines the parameter (or signal) data objects as global data, which have the custom properties you specified. As you approach production code generation, however, you might have more concern about reducing the size of the code and less need for debugging or intermediate analyses. In this stage of the tradeoff, you could make the **Parameter tune level (Signal display**

**level** for signals) greater than **Persistence level** for one or more data objects, generate code and observe the results. Repeat until satisfied.

- 1 With the model open, in the Configuration Parameters dialog box, select **Code Generation > Code Placement**.
- 2 Type the desired number in the **Signal display level** or **Parameter tune level** field, and click **Apply**.
- 3 In the Model Explorer, type the desired number in the **Persistence** field for the selected signal or parameter, and click **Apply**.
- 4 Save the model and generate code.



## Register mpt User Object Types

### In this section...

“Introduction” on page 8-25

“Register mpt User Object Types Using `sl_customization.m`” on page 8-25

“mpt User Object Type Customization Using `sl_customization.m`” on page 8-27

### Introduction

Embedded Coder software allows you to create custom mpt object types and specify properties and property values to be associated with them. Once created, a user object type can be applied to data objects displayed in Model Explorer. When you apply a user object type to a data object, by selecting a type name in the **User object type** pull-down list in Model Explorer, the data object is automatically populated with the properties and property values that you specified for the user object type.

To register mpt user object type customizations, use the Simulink customization file `sl_customization.m`. This file is a mechanism that allows you to use MATLAB code to perform customizations of the standard Simulink user interface. The Simulink software reads the `sl_customization.m` file, if present on the MATLAB path, when it starts and the customizations specified in the file are applied to the Simulink session. For more information on the `sl_customization.m` customization file, see “Registering Customizations”.

### Register mpt User Object Types Using `sl_customization.m`

To register mpt user object type customizations, you create an instance of `sl_customization.m` and include it on the MATLAB path of the Simulink installation that you want to customize. The `sl_customization` function accepts one argument: a handle to a customization manager object. For example,

```
function sl_customization(cm)
```

As a starting point for your customizations, the `sl_customization` function must first get the default (factory) customizations, using the following assignment statement:

```
hObj = cm.slDataObjectCustomizer;
```

You then invoke methods to register your customizations. The customization manager object includes the following methods for registering `mpt` user object type customizations:

- `addMPTObjectType(hObj, objectTypeName, classtype, propName1, propValue1, propName2, propValue2, ...)`

```
addMPTObjectType(hObj, objectTypeName, classtype, {propName1,
propName2, ...}, {propValue1, propValue2, ...})
```

Registers the specified user object type, along with specified values for object properties, and adds the object type to the top of the user object type list, as displayed in the **User object type** pull-down list in the Model Explorer.

- `objectTypeName` — Name of the user object type
  - `classType` — Class to which the user object type applies: 'Signal', 'Parameter', or 'Both'
  - `propName` — Name of a property of an `mpt` or `mpt`-derived data object to be populated with a corresponding `propValue` when the registered user object type is selected
  - `propValue` — Specifies the value for a corresponding `propName`
- `moveMPTObjectTypeToTop(hObj, objectTypeName)`

Moves the specified user object type to the top of the user object type list, as displayed in the **User object type** pull-down list in the Model Explorer.

- `moveMPTObjectTypeToEnd(hObj, objectTypeName)`

Moves the specified user object type to the end of the user object type list, as displayed in the **User object type** pull-down list in the Model Explorer.

- `removeMPTObjectType(hObj, objectTypeName)`

Removes the specified user object type from the user object type list.

Your instance of the `sl_customization` function should use these methods to register `mpt` object type customizations for your Simulink installation.

The Simulink software reads the `sl_customization.m` file when it starts. If you subsequently change the file, to use the changes, you must restart your MATLAB session.

## mpt User Object Type Customization Using `sl_customization.m`

The `sl_customization.m` file shown in `sl_customization.m` for mpt Object Type Customizations uses the `addMPTObjectType` method to register the user signal types `EngineType` and `FuelType` for mpt objects.

### `sl_customization.m` for mpt Object Type Customizations

```
function sl_customization(cm)
% Register user customizations

% Get default (factory) customizations
hObj = cm.slDataObjectCustomizer;

% Add commonly used signal types
hObj.addMPTObjectType(...
    'EngineType', 'Signal', ...
    'DataType', 'uint8', ...
    'Min', 0, ...
    'Max', 255, ...
    'Unit', 'm/s');

hObj.addMPTObjectType(...
    'FuelType', 'Signal', ...
    'DataType', 'int16', ...
    'Min', -12, ...
    'Max', 3000, ...
    'Unit', 'mg/hr');

end
```

If you include the above file on the MATLAB path of the Simulink installation that you want to customize, the specified customizations will appear in Model Explorer. For example, you could view the customizations as follows:

- 1 Start a MATLAB session.
- 2 Open Model Explorer, for example, by entering the MATLAB command `daexplr`.
- 3 Select **Base Workspace**.
- 4 Add an mpt signal, for example, by selecting **Add > Add Custom**.
- 5 In the right-hand pane display for the added mpt signal, examine the **User object type** drop-down list, noting the impact of the changes specified in `sl_customization.m` for mpt Object Type Customizations.

- 6 From the **User object type** drop-down list, select one of the registered user signal types, for example, `FuelType`, and verify that the displayed settings are consistent with the arguments specified to the `addMPTObjectType` method in `sl_customization.m`.

# Data Type Replacement

## In this section...

“Replace Names of Built-In Types in Code” on page 8-29

“Replace Built-In Data Types” on page 8-33

“Programmatically Replace Built-In Data Types” on page 8-37

“Data Type Replacement Limitations” on page 8-38

When you generate code for a model, you can replace the default Simulink Coder data type names, such as `real_T` and `boolean_T`, with your own custom names. The model code creates `typedef` statements to define your replacement names. It uses your replacement names instead of the default type names to, for example, define variables and functions.

You can specify many-to-one data type replacement to replace multiple built-in data types with one name in the generated code. For example, you can replace the built-in data types `uint8` and `boolean` with a single data type name that you specify.

In generated code, data type replacement uses the replacements that you specify instead of the default Simulink Coder data type names. If you want to create custom data type names for individual block parameters and signals in generated code and in a model diagram, see “Create Data Type Alias in the Generated Code” on page 8-11.

## Replace Names of Built-In Types in Code

- “Explore Example Model” on page 8-30
- “Replace Data Type Names” on page 8-30
- “Replace Data Type Limit Identifiers” on page 8-32
- “Generate Code with Replacement Names” on page 8-32

This example shows how to replace the built-in Simulink data type names in the code that you generate from a model.

When you integrate the code that you generate from a model with existing code from another source, you can control the data type identifiers that the model code uses. For ERT-based hardware targets, you can replace the built-in data type names in the generated code. To avoid generating `typedef` statements in the model code, configure the code to import the type names from a header file that you create.

You can also specify custom names for the numeric data type limits that the generated code uses. For example, the code might use the limits to handle data type saturation as a result of a math operation.

### Explore Example Model

- 1 Open the example model `ex_data_type_replacement`.
- 2 Generate code for the example model.
- 3 In the code generation report, view the shared file `rtwtypes.h`. The code uses `typedef` statements to rename the basic C data types using standard Simulink Coder identifiers. For example, the code renames the basic type `double` using the identifier `real_T`.

The code also creates identifiers to represent the numeric limits of the data types, such as `MAX_int16_T` and `MIN_int16_T`.

```
#define MAX_int16_T ((int16_T)(32767))
#define MIN_int16_T ((int16_T)(-32768))
```

- 4 View the file `ex_data_type_replacement.c`. The code uses the Simulink Coder data type identifiers to declare and define variables. For example, the code uses the data types `real_T`, `int16_T`, and `boolean_T` to declare the variables `flowIn`, `temp`, and `int1k`.

The code also uses the data type limit identifiers `MAX_int16_T` and `MIN_int16_T` to handle a potential division by zero.

```
if (denominator == 0) {
    quotient = numerator >= 0 ? (int32_T)MAX_int16_T : (int32_T)MIN_int16_T;
}
```

- 5 Close the code generation report. Delete the generated files and folders from your current folder.

Suppose that you want to interface the code that you generate from the example model with existing code from another source. If the existing code uses `typedef` statements to define several custom data type names and data type limit identifiers, use data type replacement to generate code with the custom names.

### Replace Data Type Names

- 1 Save the following C code into a text file named `my_types.h` in your current folder. This file represents a header file in your existing code that defines custom data

type names using `typedef` statements. The file uses a macro guard of the form `HEADER_filename_h`.

```
#ifndef HEADER_my_types_h_
#define HEADER_my_types_h_

typedef double my_dblPrecision;
typedef short my_int16;
typedef unsigned char my_bool;

#endif
```

- At the command prompt, create a `Simulink.AliasType` object for each data type that you want to replace. Name the objects using the data type names that you want to appear in the generated code.

```
my_dblPrecision = Simulink.AliasType;
my_int16 = Simulink.AliasType;
my_bool = Simulink.AliasType;
```

- Set the `BaseType` property of each object to the data type that you want to replace.

```
my_dblPrecision.BaseType = 'double';
my_int16.BaseType = 'int16';
my_bool.BaseType = 'boolean';
```

- Set the `DataScope` property of each object to `Imported`. Set the `HeaderFile` property of each object to the name of your header file.

```
my_dblPrecision.DataScope = 'Imported';
my_dblPrecision.HeaderFile = 'my_types.h';
```

```
my_int16.DataScope = 'Imported';
my_int16.HeaderFile = 'my_types.h';
```

```
my_bool.DataScope = 'Imported';
my_bool.HeaderFile = 'my_types.h';
```

- In the Configuration Parameters dialog box, on the **Code Generation > Data Type Replacement** pane, select **Replace data type names in the generated code**.
- Specify the fields in the **Replacement Name** column according to the table.

Simulink Name	Replacement Name
double	my_dblPrecision

Simulink Name	Replacement Name
int16	my_int16
boolean	my_bool

### Replace Data Type Limit Identifiers

- 1 Save the following C code into a text file named `my_type_limits.h` in your current folder. This file represents a header file in your existing code. The file defines custom data type limit identifiers using `#define` directives.

```
#ifndef MAX_my_int16
#define MAX_my_int16          ((int16_T)(32767))
#endif

#ifndef MIN_my_int16
#define MIN_my_int16          ((int16_T)(-32768))
#endif
```

- 2 At the command prompt, point the example model to the new header file that contains the custom limit identifiers.

```
set_param(gcs, 'TypeLimitIdReplacementHeaderFile', 'my_type_limits.h');
```

- 3 Specify the minimum and maximum identifiers for the data type `int16` as the custom names `MIN_my_int16` and `MAX_my_int16`.

```
set_param(gcs, 'MinIdInt16', 'MIN_my_int16');
set_param(gcs, 'MaxIdInt16', 'MAX_my_int16');
```

### Generate Code with Replacement Names

- 1 Generate code for the example model.
- 2 In the code generation report, view the shared file `rtwtypes.h`. The code creates an `#include` directive for the header file `my_types.h`, which contains the data type names. The code imports the custom type definitions from the header file instead of generating `typedef` statements.

The code also creates an `#include` directive for the header file `my_type_limits.h`, which contains the data type limit identifiers. The code imports the definitions of the `int16` numeric limits from the header file instead of generating `#define` directives.



- 3 View the file `ex_data_type_replacement.c`. The code uses the custom data type names `my_db1Precision`, `my_int16`, and `my_bool` to declare and define variables such as `flowIn`, `temp`, and `int1k`.

The code uses the custom data type limit identifiers `MIN_my_int16` and `MAX_my_int16` to handle a potential division by zero.

```
if (denominator == 0) {
    quotient = numerator >= 0 ? (int32_T)MAX_my_int16 : (int32_T)MIN_my_int16;
}
```

## Replace Built-In Data Types

To configure replacement data type names:

- 1 In the Configuration Parameters dialog box, select **Code Generation > Data Type Replacement** and **Replace data type names in the generated code**. The **Data type names** table lists each Simulink built-in data type name with the corresponding code generation name.

Replace data type names in the generated code

Data type names

Simulink Name	Code Generation Name	Replacement Name
double	real_T	<input type="text"/>
single	real32_T	<input type="text"/>
int32	int32_T	<input type="text"/>
int16	int16_T	<input type="text"/>
int8	int8_T	<input type="text"/>
uint32	uint32_T	<input type="text"/>
uint16	uint16_T	<input type="text"/>
uint8	uint8_T	<input type="text"/>
boolean	boolean_T	<input type="text"/>
int	int_T	<input type="text"/>
uint	uint_T	<input type="text"/>
char	char_T	<input type="text"/>

- 2 Specify the **Replacement Name** column with values that replace the default names in the **Code Generation Name** column. Specify one of these options:

- The name of a `Simulink.AliasType` object that is in the base workspace or a data dictionary. When you use a `Simulink.AliasType` object, you can replace a data type name with the name of the object.

Set the `BaseType` property of the object to the corresponding **Simulink Name** data type. Set the `DataScope` property of the object to `Auto` (default) or `Imported`. If you want to use your own header file to define replacement names, set the `HeaderFile` property of the object to the header file name and set `DataScope` to `Imported`.

- The data type name from the **Simulink Name** column. This name replaces the data type name in the generated code. Using the **Simulink Name**, you can replace all of the data types except `real_T` and `real32_T`. To specify replacement names for `boolean_T`, `int_T`, `uint_T`, and `char_T`, see the following table.
- The name of a `Simulink.NumericType` object that is in the base workspace or a data dictionary. When you use a `Simulink.NumericType` object, you can define replacement names for `real_T`, `real32_T`, and `boolean_T`.

Set the `DataTypeMode` property of the object to the corresponding data type name from the **Simulink Name** column.

## Specify the Replacement Name for a Data Type

To replace the Code Generation Name	Specify a Simulink.AliasType object with BaseType	Specify the corresponding Simulink Name	Specify a Simulink.NumericType object with DataTypeMode
real_T	double	–	Double
real32_T	single	–	Single
int32_T	int32	int32	–
int16_T	int16	int16	–
int8_T	int8	int8	–
uint32_T	uint32	uint32	–
uint16_T	uint16	uint16	–
uint8_T	uint8	uint8	–
boolean_T	uint8 or int8 or int $n$ *	uint8 or int8 or int $n$ *	Boolean
int_T	int $n$ *	int $n$ *	–
uint_T	uint $n$ *	uint $n$ *	–
char_T	int $n$ *	int $n$ *	–

\* Replace  $n$  with the number of bits displayed in the Configuration Parameters dialog box **Hardware Implementation** pane in either **Number of bits: int** or **Number of bits: char**, depending on the data type that you want to replace.

---

**Note:** The boolean\_T BaseType must promote to a signed int.

---

Suppose that in the base workspace you define these replacement data types as Simulink.AliasType objects.

Replacement Name	Description
FLOAT64	64-bit floating point
FLOAT32	32-bit floating point
S32	32-bit integer

Replacement Name	Description
S16	16-bit integer
S8	8-bit integer
U32	Unsigned 32-bit integer
U16	Unsigned 16-bit integer
U8	Unsigned 8-bit integer
CHAR	Character data

You can specify data type replacements with a one-to-one replacement mapping as shown.

Replace data type names in the generated code

Data type names

Simulink Name	Code Generation Name	Replacement Name
double	real_T	FLOAT64
single	real32_T	FLOAT32
int32	int32_T	S32
int16	int16_T	S16
int8	int8_T	S8
uint32	uint32_T	U32
uint16	uint16_T	U16
uint8	uint8_T	U8
boolean	boolean_T	
int	int_T	
uint	uint_T	
char	char_T	CHAR

You can also apply a many-to-one data type replacement mapping. For example, you can replace these data types:

- `int32` and `int` with the name `S32`.
- `uint32` and `uint` with the name `U32`.
- `uint8` and `boolean` with the name `U8`.

---

**Note:** Many-to-one data type replacement does not support the char (char\_T) built-in data type. Use char only in one-to-one data type replacements.

---

Data type names		
Simulink Name	Code Generation Name	Replacement Name
double	real_T	<input type="text"/>
single	real32_T	<input type="text"/>
int32	int32_T	S32
int16	int16_T	<input type="text"/>
int8	int8_T	<input type="text"/>
uint32	uint32_T	U32
uint16	uint16_T	<input type="text"/>
uint8	uint8_T	U8
boolean	boolean_T	U8
int	int_T	S32
uint	uint_T	U32
char	char_T	<input type="text"/>

## Programmatically Replace Built-In Data Types

To programmatically replace the built-in data type names for your model, adjust the `ReplacementTypes` model parameter, which is a structure. This example code shows how to modify the `ReplacementTypes` parameter to replace the built-in data type names `int8`, `uint8`, and `boolean` with the custom data type names `my_T_S8`, `my_T_U8`, and `my_T_BOOL`.

```
model = bdroot;
cs = getActiveConfigSet(model);
set_param(cs, 'EnableUserReplacementTypes', 'on');

struc = get_param(cs, 'ReplacementTypes');
struc.int8 = 'my_T_S8';
struc.uint8 = 'my_T_U8';
struc.boolean = 'my_T_BOOL';

set_param(cs, 'ReplacementTypes', struc);
```

## Data Type Replacement Limitations

When you select the model configuration parameter **Replace data type names in the generated code** on the **Code Generation > Data Type Replacement** pane of the Configuration Parameters dialog box, these limitations apply.

- Data type replacement does not support multiple levels of mapping. Each replacement data type name maps directly to one or more built-in data types.
- Data type replacement is not supported for simulation target code generation for referenced models.
- If you select the **Classic call interface** configuration parameter for your model, data type replacement is not supported.
- Code generation performs data type replacements while generating `.c`, `.cpp`, and `.h` files. Code generation places these files in build folders (including top and referenced model build folders) and in the `_sharedutils` folder. *Exceptions* are as follows:
  - `rtwtypes.h`
  - `multiword_types.h`
  - `model_reference_types.h`
  - `builtin_typeid_types.h`
  - `model_sf.c` or `.cpp` (ERT S-function wrapper)
  - `model_dt.h` (C header file supporting external mode)
  - `model_capi.c` or `.cpp`
  - `model_capi.h`
- Data type replacement is not supported for complex data types.
- Many-to-one data type replacement is not supported for the `char` data type. Attempting to use `char` as part of a many-to-one mapping to a custom data type represents a violation of the MISRA C specification. For example, if you map `char` (`char_T`) and either `int8` (`int8_T`) or `uint8` (`uint8_T`) to the same replacement type, the result is a MISRA C violation. If you try to generate C++ code, the code generator makes invalid implicit type casts, resulting in compile-time errors. Use `char` only in one-to-one data type replacements.
- For ERT S-functions, replace the `boolean` data type with only an 8-bit integer, `int8`, or `uint8`.
- Set the `DataScope` property of a `Simulink.AliasType` object to `Auto` (default) or `Imported`.

### See Also

`Simulink.AliasType` | `Simulink.NumericType`

## **Related Examples**

- “Replace boolean with Specific Integer Data Type” on page 31-13
- “Create Data Type Alias in the Generated Code” on page 8-11
- “What Are User-Defined Data Types?” on page 8-2

## Specify Boolean and Data Type Limit Identifiers

You can use command-line parameters to replace the default Boolean and data type limit identifiers. If you want to associate the data type limit identifiers with the data type names, consider replacing the default identifiers. You can also use command-line parameters to import a header file with the Boolean and data type limit identifier definitions.

### Data Type Limit Identifiers

You can control the data type limit identifiers in the generated code by using the command-line parameters in this table.

Data Type Limit	Default Identifier	Command-Line Parameter
8-bit integer maximum	MAX_int8_T	MaxIdInt8
16-bit integer maximum	MAX_int16_T	MaxIdInt16
32-bit integer maximum	MAX_int32_T	MaxIdInt32
8-bit unsigned integer maximum	MAX_uint8_T	MaxIdUInt8
16-bit unsigned integer maximum	MAX_uint16_T	MaxIdUInt16
32-bit unsigned integer maximum	MAX_uint32_T	MaxIdUInt32
8-bit integer minimum	MIN_int8_T	MinIdInt8
16-bit integer minimum	MIN_int16_T	MinIdInt16
32-bit integer minimum	MIN_int32_T	MinIdInt32

For example, to change the default identifiers for the 8-bit integer data limit minimum and maximum to `s4g_S4MIN` and `s4g_S4MAX`, respectively:

```
set_param(gcs, 'MinIdInt8', 's4g_S4MIN');
set_param(gcs, 'MaxIdInt8', 's4g_S4MAX');
```

If you do not import a header file, the generated file `rtwtypes.h` defines the 8-bit integer data minimum and maximum identifiers:

```
#define s4g_S4MAX ((int8_T)(127))
#define s4g_S4MIN ((int8_T)(-128))
```



If you do import a header file defining the data type limit identifiers, the header file is included in `rtwtypes.h`.

## Boolean Identifiers

You can control the Boolean identifiers in the generated code by using the command-line parameters in this table. When changing boolean identifiers, you must define `false` to be numerically equivalent to 0, and `true` to be numerically equivalent to 1.

Boolean	Default Identifier	Command-Line Parameter
True	<code>true</code>	<code>BooleanTrueId</code>
False	<code>false</code>	<code>BooleanFalseId</code>

For example, to change the default Boolean true and false identifiers:

```
set_param(gcs, 'BooleanTrueId', 'bTrue');
set_param(gcs, 'BooleanFalseId', 'bFalse');
```

If you do not import a header file, the generated file `rtwtypes.h` defines the Boolean identifiers:

```
#define bFalse (0U)
#define bTrue (1U)
```

If you do import a header file defining the Boolean identifiers, the header file is included in `rtwtypes.h`.

---

**Note:** When changing boolean identifiers, you must define `false` to be numerically equivalent to 0, and `true` to be numerically equivalent to 1.

---

## Boolean and Data Type Limit Identifier Header Files

You can import a header file that defines Boolean and data type limit identifiers using the command-line parameter `TypeLimitIdReplacementHeaderFile`. The header file is included in `rtwtypes.h`. You must use the command-line parameters to specify the Boolean and data type limit identifiers that are included in the imported header file.

For example, if you have a header file `myfile.h` with data type limit definitions, use `TypeLimitIdReplacementHeaderFile` to include the definitions in the generated code:

```
set_param(gcs, 'TypeLimitIdReplacementHeaderFile', 'myfile.h');
```

The generated file `rtwtypes.h` includes `myfile.h`.

```
/* Import type limit identifier replacement definitions. */  
#include "myfile.h"
```

### Related Examples

- “Data Type Replacement” on page 8-29

# Module Packaging Tool (MPT) Data Objects

---

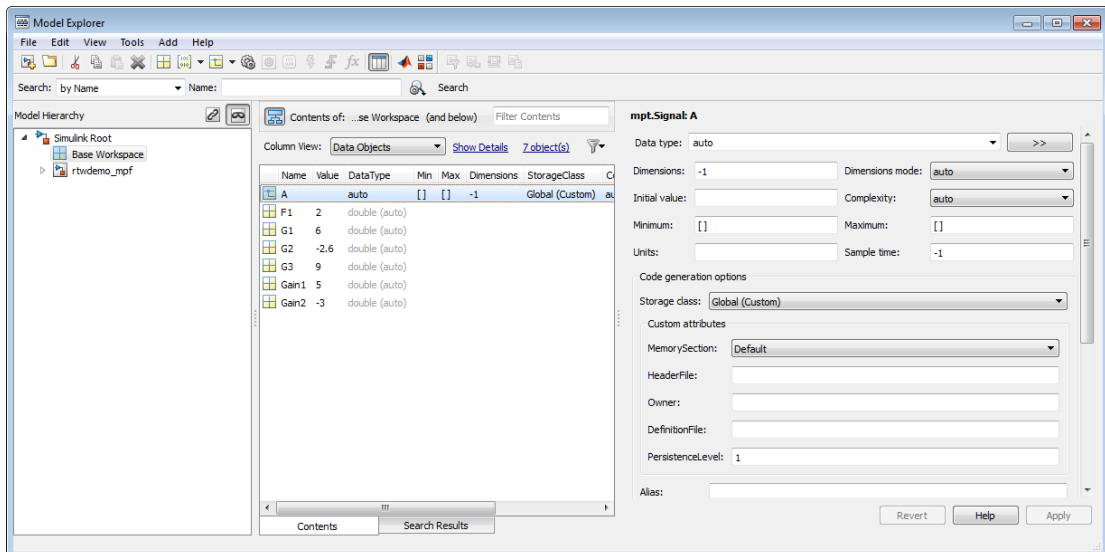
## MPT Data Object Properties

The following table describes the properties and property values for `mpt.Parameter` and `mpt.Signal` data objects that appear in the Model Explorer.

**Note:** You can create `mpt.Signal` and `mpt.Parameter` objects in the base MATLAB or model workspace. However, if you create the object in a model workspace, the object's storage class must be set to `auto`.

The figure below shows an example of the Model Explorer. When you select an `mpt.Parameter` or `mpt.Signal` data object in the middle pane, its properties and property values display in the rightmost pane.

In the Properties column, the table lists the properties in the order in which they appear on the Model Explorer.



### Parameter and Signal Property Values

Class: Parameter, Signal, or Both	Property	Available Property Values (* Indicates Default)	Description
Both	User object type	*auto	<p>Prenamed and predefined property sets that are registered in the <code>sl_customization.m</code> file. (See “Register mpt User Object Types” on page 8-25.) This field is active when a user object type is registered.</p> <p>Select <code>auto</code> if this field is available but you do not want to apply the properties of a user object type to a selected data object. The fields on the Model Explorer are populated with default values.</p>
		Listed user object type name	Select a user object type name to apply the properties and values that you associated with this name in the <code>sl_customization.m</code> file. The fields on the Model Explorer are automatically populated with those values.
Parameter	Value	*0	The data type and numeric value of the data object. For example, <code>int8(5)</code> . The numeric value is used as an initial parameter value in the generated code.
Both	Data type		Used to specify the data type for an <code>mpt.Signal</code> data object, but not for an <code>mpt.Parameter</code> data object. The data type for an <code>mpt.Parameter</code> data object is specified in the <b>Value</b> field above. See “About Data Types in Simulink” in the Simulink documentation.
Both	Unit	*null	Units of measurement of the signal or parameter. (Enter text in this field.)
Both	Dimensions	* - 1	The dimension of the signal or parameter. For a parameter, the dimension is derived from its value.

Class: Parameter, Signal, or Both	Property	Available Property Values (* Indicates Default)	Description
Both	Complexity	*auto  real  complex	Complexity specifies whether the signal or parameter is a real or complex number. Select <b>auto</b> for the code generator to decide. For a parameter, the complexity is derived from its value.
Signal	Sample time	* - 1	Model or block execution rate.
Signal	Sample mode	*auto	Determines how the signal propagates through the model. Select <b>auto</b> for the code generator to decide.
		Sample based	The signal propagates through the model one sample at a time.
		Frame based	The signal propagates through the model in batches of samples.
Both	Minimum	*0.0	The minimum value to which the parameter or signal is expected to be bound.
		Number within the minimum range of the parameter or signal. (Based on the data type and resolution of the parameter or signal.)	
Both	Maximum	*0.0	Maximum value to which the parameter or signal is expected to be bound. (Enter information using a dialog box.)
	Code generation options		
	Storage class		Note that an <b>auto</b> selection for a storage class tells the build process to decide how to declare and store the selected parameter or signal.

Class: Parameter, Signal, or Both	Property	Available Property Values (* Indicates Default)	Description
Both	Default (Custom)		Code generation decides how to declare the data object.
Both	Global (Custom)	Global (Custom) is the default storage class for mpt data objects.	Specifies that a code generator not place a qualifier in the data object's declaration.
Both	Memory section	*Default	<b>Memory section</b> allows you to specify storage directives for the data object. <b>Default</b> specifies that the code generator not place a type qualifier and <b>pragma</b> statement with the data object's declaration.
Parameter		MemConst	Places the <b>const</b> type qualifier in the declaration.
Both		MemVolatile	Places the <b>volatile</b> type qualifier in the declaration.
Parameter		MemConstVolatile	Places the <b>const volatile</b> type qualifier in the declaration.
Both	Header file		Name of the file used to import or export the data object. This file contains the declaration ( <b>extern</b> ) to the data object.  Also, you can specify this header filename between the double-quotation or angle-bracket delimiter. You can specify the delimiter with or without the <b>.h</b> extension. For example, specify <b>"object.h"</b> or <b>"object"</b> . For the selected data object, this overrides the general delimiter selection in the <b>#include file delimiter</b> field on the Configuration Parameters dialog box.
Both	Owner	*Blank	The name of the module that owns this signal or parameter. This is used to help

Class: Parameter, Signal, or Both	Property	Available Property Values (* Indicates Default)	Description
			determine the ownership of a definition. For details, see “Ownership Settings” on page 16-96 and the table “Ownership Settings” on page 16-106.
Both	Definition file	*Blank	Name of the file that defines the data object.
		Valid string	
Both	Persistence level		The number you specify is relative to <b>Signal display level</b> or <b>Parameter tune level</b> on the <b>Code Placement</b> pane of the Configuration Parameters dialog box. For a signal, allows you to specify whether or not the code generator declares the data object as global data. For a parameter, allows you to specify whether or not the code generator declares the data object as tunable global data. See <b>Signal display level</b> and <b>Parameter tune level</b> in “Code Generation Pane: Code Placement”.
Both	Bitfield (Custom)		Embeds Boolean data in a named bit field.
	Struct name		Name of the <b>struct</b> into which the object's data will be packed.
Parameter	Const (Custom)		Places the <b>const</b> type qualifier in the declaration.
Parameter	Header file		See above.
Parameter	Owner		See above.
Parameter	Definition file		See above.
Parameter	Persistence level		See above.
Both	Volatile (Custom)		Places the <b>volatile</b> type qualifier in the declaration.



Class: Parameter, Signal, or Both	Property	Available Property Values (* Indicates Default)	Description
Both	Header file		See above.
Both	Owner		See above.
Both	Definition file		See above.
Both	Persistence level		See above.
Parameter	ConstVolatile (Custom)		Places the <code>const volatile</code> type qualifier in declaration.
Parameter	Header file		See above.
Parameter	Owner		See above.
Parameter	Definition file		See above.
Parameter	Persistence level		See above.
Parameter	Define (Custom)		Represents parameters with a <code>#define</code> macro.
Parameter	Header file		See above.
Both	ExportToFile (Custom)		Generates global variable definition, and generates a user-specified header (.h) file that contains the declaration ( <code>extern</code> ) to that variable.
Both	Memory section		See above.
Both	Header file		See above.
Both	Definition file		See above.
Both	ImportFromFile (Custom)		Includes predefined header files containing global variable declarations, and places the <code>#include</code> in a corresponding file. Assumes external code defines (allocates memory) for the global variable.
Both	Data access	*Direct	Allows you to specify whether the identifier that corresponds to the selected

Class: Parameter, Signal, or Both	Property	Available Property Values (* Indicates Default)	Description
			data object stores data of a data type ( <b>Direct</b> ) or stores the address of the data (a pointer).
Both		Pointer	If you select <b>Pointer</b> , the code generator places * before the identifier in the generated code.
	Header file		See above.
Both	Struct (Custom)		Embeds data in a named <b>struct</b> to encapsulate sets of data.
Both	Struct name		See above.
Signal	GetSet (Custom)		Reads (gets) and writes (sets) data using functions.
Signal	Header file		See above.
Signal	Get function		Specify the Get function.
Signal	Set function		Specify the Set function.
Both	Alias	*null	As explained in detail in “Override Data Object Naming Rules” on page 16-18, for a Simulink or <b>mpt</b> data object (identifier), specifying a name in the <b>Alias</b> field overrides the global naming rule selection you make on the Configuration Parameters dialog box.
		Valid ANSI <sup>®</sup> C/C++ variable name	
Both	Description	*null	Text description of the parameter or signal. Appears as a comment beside the signal or parameter's identifier in the generated code.
		String	
Signal	Reusable (Custom)		Allows the code generator to reuse a pair of root I/O signals when you specify the

Class: Parameter, Signal, or Both	Property	Available Property Values (* Indicates Default)	Description
			same name and the same custom storage class for both. The custom storage class is either <b>Reusable (Custom)</b> or derived from <b>Reusable (Custom)</b> .
Signal	Data Scope	*Auto	You can specify the scope of symbols code generation generates for a data object of this class by selecting a value for <b>DataScope</b> . When you take the default of <b>Auto</b> , code generation determines the symbol scope internally. If possible, symbols have <b>File</b> scope. Otherwise, they have <b>Exported</b> scope.
		File	Code generation defines the scope of each symbol as the file that defines it. File scope requires each symbol to be used in a single file. If the same symbol is referenced in multiple files, code generation reports an error.
		Exported	Code generation exports symbols to external code in the header file specified by the <b>HeaderFile</b> field. If a <b>HeaderFile</b> is not specified, symbols are exported to external code in <i>model.h</i> .
		Imported	Code generation imports symbols from external code in the header file specified by the <b>HeaderFile</b> field. If you do not specify a header file, code generation generates an <b>extern</b> directive in <i>model_private.h</i> .
Signal	Header file		See above.
Signal	Owner		See above.
Signal	Definition file		See above.

a. ANSI is a registered trademark of the American National Standards Institute, Inc.

**mpt Package Custom Storage Classes**

<b>CSC Name</b>	<b>Purpose</b>	<b>Signals?</b>	<b>Parameters?</b>
BitField	Generate a <code>struct</code> declaration that embeds Boolean data in named bit fields.	Y	Y
CompilerFlag	Supports preprocessor conditionals defined via compiler flag. See “Generate Preprocessor Conditionals for Subsystem and Model Variants” on page 4-30.	N	Y
Const	Generate a constant declaration with the <code>const</code> type qualifier.	N	Y
ConstVolatile	Generate declaration of volatile constant with the <code>const volatile</code> type qualifier.	N	Y
Default	The default custom storage class for the Simulink package. Export the declaration of all data objects to a default generated header file.	Y	Y
Define	Generate <code>#define</code> directive.	Y	Y
ExportToFile	Generate header (.h) file, with user-specified name, containing global variable declarations.	Y	Y
FileScope	Generate a static qualifier suffix for a variable declaration so that the scope of the variable is limited to the current file.	Y	Y
GetSet	Supports specialized function calls to read and write the memory associated with a <b>Data Store Memory</b> block. See “Access Data Through Functions with Custom Storage Class <code>GetSet</code> ” on page 10-58.	Y	Y

CSC Name	Purpose	Signals?	Parameters?
Global	The default custom storage class for the <code>mpt</code> package. Generate the declaration and definition of a data object in specified files, and use the specified memory section.	Y	Y
ImportedDefine	Supports preprocessor conditionals defined via legacy header file. See “Generate Preprocessor Conditionals for Subsystem and Model Variants” on page 4-30.	N	Y
ImportFromFile	Generate directives to include predefined header files containing global variable declarations.	Y	Y
Reusable	Allows the code generator to reuse a pair of root I/O signals when you specify the same name and the same custom storage class for both. The custom storage class is either <code>Reusable (Custom)</code> or derived from <code>Reusable (Custom)</code> .	Y	N
Struct	Generate a <code>struct</code> declaration encapsulating parameter or signal object data.	Y	Y
StructConst	Generate a <code>struct</code> declaration, with a <code>const</code> type qualifier, encapsulating parameter object data.	N	Y
StructVolatile	Generate a <code>struct</code> declaration, with a <code>volatile</code> type qualifier, encapsulating parameter or signal object data.	Y	Y
Volatile	Use <code>volatile</code> type qualifier in declaration.	Y	Y

## Examples of Property Value Changes on Generated Code

What I noticed when inspecting the <code>.c/.cpp</code> file	Change I made to property value settings	What I noticed after regenerating and reinspecting the file
<p>Example 1: Parameter data objects can be declared or defined as constants. I know that the data object <code>GAIN</code> is a parameter. I want this to be declared or defined in the <code>.c</code> file as a variable. But I notice that <code>GAIN</code> is declared as a constant by the statement <code>const real_T GAIN = 5.0;</code>. Also, this statement is in the constant section of the file.</p>	<p>In the Model Explorer, I clicked the data object <code>GAIN</code>. I noticed that the property value for its <b>Memory section</b> property is set at <code>MemConst</code>. I changed this to <code>Default</code>.</p>	<p>I notice two differences. One is that now <code>GAIN</code> is declared as a variable with the statement <code>real_T GAIN = 5.0;</code>. The second difference is that the declaration now is located in the <code>MemConst</code> memory section in the <code>.c</code> or <code>.cpp</code> file.</p>
<p>Example 2: I notice again the declaration of <code>GAIN</code> in the <code>.c</code> file mentioned in Example 1. It appears as <code>real_T GAIN = 5.0;</code>. But I have changed my mind. I want data object <code>GAIN</code> to be <code>#define</code>.</p>	<p>I changed the <b>Storage class</b> selection to <code>Define (Custom)</code>.</p>	<p><code>GAIN</code> is not declared in the <code>.c</code> file as a <code>MemConst</code> parameter. Rather, it is defined as a <code>#define</code> macro by the code <code>#define GAIN 5.0</code>, and this is located near the top of the <code>.c</code> file with the other preprocessor directives.</p>
<p>Example 3: I changed my mind again after doing Example 2. I do want <code>GAIN</code> defined using the <code>#define</code> preprocessor directive. But I do not want to include the <code>#define</code> in this file. I know it exists in another file and I want to reference that file.</p>	<p>On the Model Explorer, I notice that the property value for the <b>Header file</b> property is blank. I changed this to <code>filename.h</code>. (I chose the ANSI C/C++ double quote mechanism for the <code>#include</code>, but could have chosen the angle bracket mechanism.) Also, I must make the user-defined <code>filename.h</code> available to the compiler, placing it either in the system path or local directory.</p>	<p><code>#define GAIN 5.0</code> is not present in this <code>.c</code> file. Instead, the <code>#include filename.h</code> code appears as a preprocessor directive at the top of the file.</p>

<b>What I noticed when inspecting the .c/.cpp file</b>	<b>Change I made to property value settings</b>	<b>What I noticed after regenerating and reinspectng the file</b>
<p>Example 4: I have one more change I want to make. Let us say that we have declared the data object <code>data_in</code>, and that its declaration statement in the <code>.c</code> file reads <code>real_T data_in = 0.0;</code>. I want to replace this statement with an alias in the <code>.c</code> file.</p>	<p>In the Model Explorer, I selected the data object <code>data_in</code>. I noticed that the <b>Alias</b> field is blank. I changed this to <code>data_in_alias</code>, which I know is a valid ANSI C/C++ variable name.</p>	<p>The identifier <code>data_in_alias</code> now appears in the <code>.c</code> file everywhere <code>data_in</code> appeared.</p>





# Custom Storage Classes

---

- “Introduction to Custom Storage Classes” on page 10-2
- “Simulink Package Custom Storage Classes” on page 10-5
- “Design Custom Storage Classes and Memory Sections” on page 10-9
- “Control Data Representation by Applying Custom Storage Classes” on page 10-35
- “Control Data Code by Creating Custom Storage Class” on page 10-48
- “Define Advanced Custom Storage Classes Types” on page 10-53
- “Access Data Through Functions with Custom Storage Class `GetSet`” on page 10-58

## Introduction to Custom Storage Classes

### In this section...

“Custom Storage Class Memory Sections” on page 10-3

“Custom Storage Classes and Data Class Packages” on page 10-3

“Custom Storage Class Examples” on page 10-3

During the build process, the *storage class* specification of a signal, tunable parameter, block state, or data object specifies how that entity is declared, stored, and represented in generated code. Note that in the context of the build process, the term “storage class” is not synonymous with the term “storage class specifier”, as used in the C language.

The Simulink Coder software defines four built-in storage classes for use with targets: `Auto`, `ExportedGlobal`, `ImportedExtern`, and `ImportedExternPointer`. These storage classes provide limited control over the form of the code generated for references to the data. For example, data of storage class `Auto` is typically declared and accessed as an element of a structure, while data of storage class `ExportedGlobal` is declared and accessed as unstructured global variables. For information about built-in storage classes, see “Control Signals and States in Code by Applying Storage Classes” and “Control Parameter Representation and Declare Tunable Parameters in the Generated Code” in the Simulink Coder documentation.

If the built-in storage classes do not provide data representation required by your application, you can define *custom storage classes* (CSCs). Embedded Coder (CSCs) extend the built-in storage classes provided by the Simulink Coder software. CSCs can provide application-specific control over the constructs required to represent data in an embedded algorithm. For example, you can use CSCs to:

- Define structures for storage of parameter or signal data.
- Conserve memory by storing Boolean data in bit fields.
- Integrate generated code with legacy software whose interfaces cannot be modified.
- Generate data structures and definitions that comply with your organization's software engineering guidelines for safety-critical code.

Custom storage classes affect only code generated for ERT targets. When **Configuration Parameters > Code Generation > Target Selection > System target file** specifies a GRT target, the names of custom storage classes sometimes appear in dialog boxes, but selecting a CSC is functionally the same as selecting `Auto`. See “Targets and Generated Code Features” for information about ERT and GRT targets.

## Custom Storage Class Memory Sections

Every custom storage class has an associated *memory section* definition. A memory section is a named collection of properties related to placement of an object in memory; for example, in RAM, ROM, or flash memory. Memory section properties let you specify storage directives for data objects. For example, you can specify `const` declarations, or compiler-specific `#pragma` statements for allocation of storage in ROM or flash memory sections.

See “Create and Edit Memory Section Definitions” on page 10-29 for details about using the Custom Storage Class designer to define memory sections. While memory sections are often used with data in custom storage classes, they can also be used with various other constructs. See “Control Data and Function Placement in Memory by Inserting Pragmas” on page 13-2 for more information about using memory sections with custom storage classes, and complete information about using memory sections with other constructs.

## Custom Storage Classes and Data Class Packages

CSCs are associated with Simulink data class packages (such as the `Simulink` package) and with classes within packages (such as the `Simulink.Parameter` and `Simulink.Signal` classes). A custom storage class is available only to data classes that are defined by the associated package.

You cannot add or change CSCs associated with built-in packages and classes, but you can create your own packages and subclasses, then associate customized CSCs with those packages. To create your own packages and custom storage classes, see “Design Custom Storage Classes and Memory Sections” on page 10-9.

## Custom Storage Class Examples

Three examples show Custom Storage Class capabilities:

`rtwdemo_cscpredef` — Shows predefined custom storage classes and embedded signal objects

`rtwdemo_importstruct` — Shows custom storage classes used to access imported data efficiently

`rtwdemo_advsc` — Shows how custom storage classes can support data-object-driven modeling

Click the links above, or type the name in the MATLAB Command Window.

### **Related Examples**

- “Simulink Package Custom Storage Classes” on page 10-5
- “Control Data Representation by Applying Custom Storage Classes” on page 10-35
- “Signal Representation in Generated Code”
- “Parameter Storage in the Generated Code”

## Simulink Package Custom Storage Classes

The `Simulink` package includes a set of built-in custom storage classes. These are categorized as custom storage classes, even though they are built-in, because they:

- Extend the storage classes provided by the Simulink Coder software
- Are functionally the same as if you had defined them yourself using the CSC Designer

You cannot change the CSCs built into the `Simulink` package, but you can subclass the package and add CSCs to the subclass, following the steps in “Resources for Defining Custom Storage Classes” on page 10-9.

Some CSCs in the `Simulink` package are valid for parameter objects but not signal objects and vice versa. For example, you can assign the storage class `Const` to a parameter but not to a signal, because signal data is not constant. The next table defines the CSCs built into the `Simulink` package and shows where each of the CSCs can be used.

The Simulink Coder software defines four built-in storage classes for use with targets: `Auto`, `ExportedGlobal`, `ImportedExtern`, and `ImportedExternPointer`. These storage classes provide limited control over the form of the code generated for references to the data. For example, data of storage class `Auto` is typically declared and accessed as an element of a structure, while data of storage class `ExportedGlobal` is declared and accessed as unstructured global variables. For information about built-in storage classes, see “Control Signals and States in Code by Applying Storage Classes” and “Control Parameter Representation and Declare Tunable Parameters in the Generated Code” in the Simulink Coder documentation.

CSC Name	Purpose	Signals?	Parameters?
<code>BitField</code>	Generate a <code>struct</code> declaration that embeds Boolean data in named bit fields. For an example, see “Bitfields” on page 3-87.	Y	Y
<code>CompilerFlag</code>	Supports preprocessor conditionals defined via compiler flag. See “Generate Preprocessor Conditionals for Subsystem and Model Variants” on page 4-30.	N	Y

CSC Name	Purpose	Signals?	Parameters?
	To specify the compiler option, use the model configuration parameter <b>Configuration Parameters &gt; Code Generation &gt; Custom Code &gt; Additional Build Information &gt; Defines</b> . See Code Generation Pane: Custom Code: Additional Build Information: Defines.		
Const	Generate a constant declaration with the <code>const</code> type qualifier.	N	Y
ConstVolatile	Generate declaration of volatile constant with the <code>const volatile</code> type qualifier. For an example, see “Type Qualifiers” on page 3-13.	N	Y
Default	<code>Default</code> is a placeholder CSC that the code generator assigns to the <code>CoderInfo.CustomStorageClass</code> property of signal and parameter objects when they are created. The signal, state, or parameter appears in the generated code as a global variable.	Y	Y
Define	Generate <code>#define</code> directive. The generated code defines the macro value. For an example, see “Macro Definitions ( <code>#define</code> )” on page 3-71. Also supports generation of preprocessor conditionals for variant systems. See “Generate Preprocessor Conditionals for Subsystem and Model Variants” on page 4-30.	Y	Y
ExportToFile	Generate header ( <code>.h</code> ) file, with user-specified name, containing global variable declarations.	Y	Y

CSC Name	Purpose	Signals?	Parameters?
FileScope	Generate a static qualifier suffix for a variable declaration so that the scope of the variable is limited to the current file.	Y	Y
GetSet	Supports specialized function calls to read and write memory. You can use this custom storage class with data stores. For examples, see “Access Data Through Functions with Custom Storage Class GetSet” on page 10-58.	Y	Y
ImportedDefine	Generate <code>#define</code> directive. You supply the macro definition in a legacy header file. For an example, see “Macro Definitions ( <code>#define</code> )” on page 3-71. Also supports preprocessor conditionals, for variant systems, defined via legacy header file. See “Generate Preprocessor Conditionals for Subsystem and Model Variants” on page 4-30.	N	Y
ImportFromFile	Generate directives to include predefined header files containing global variable declarations.	Y	Y
Reusable	Allows the code generator to reuse a pair of root I/O signals when you specify the same name and the same custom storage class for both. The custom storage class is either <code>Reusable (Custom)</code> or derived from <code>Reusable (Custom)</code> . For examples, see “Buffer Reuse for Model Block Boundary and Unit Delay” on page 30-21 and “Buffer Reuse Around a Block or Subsystem Boundary” on page 30-24.	Y	N

CSC Name	Purpose	Signals?	Parameters?
Struct	Generate a <code>struct</code> declaration encapsulating parameter or signal object data. For examples, see “Structures for Parameters” on page 3-77 and “Structures for Signals” on page 3-79.	Y	Y
Volatile	Use <code>volatile</code> type qualifier in declaration.	Y	Y

### Related Examples

- “Control Data Code by Creating Custom Storage Class” on page 10-48
- “Control Data Representation by Applying Custom Storage Classes” on page 10-35
- “Generate Code with Custom Storage Classes” on page 10-43
- “Design Custom Storage Classes and Memory Sections” on page 10-9
- “Data Objects”
- “Define Advanced Custom Storage Classes Types” on page 10-53



# Design Custom Storage Classes and Memory Sections

## In this section...

- “Resources for Defining Custom Storage Classes” on page 10-9
- “Create Packages for Custom Storage Class Definitions” on page 10-10
- “Use Custom Storage Class Designer” on page 10-10
- “Edit Custom Storage Class Properties” on page 10-16
- “Use Custom Storage Class References” on page 10-22
- “Protect Custom Storage Class Definitions” on page 10-26
- “Import Externally Defined Parameters into Simulink” on page 10-27
- “Create and Edit Memory Section Definitions” on page 10-29
- “Use Memory Section References” on page 10-32

## Resources for Defining Custom Storage Classes

The resources for working with custom storage class definitions are:

- Use MATLAB class syntax to create a data class in a package. You can assign properties to the data class and add initialization code to enable custom storage class definition. For complete instructions, see “Define Data Classes” in Simulink documentation.
- A set of ready-to-use CSCs. These CSCs are designed to be useful in code generation for embedded systems development. CSC functionality is integrated into the `Simulink.Signal` and `Simulink.Parameter` classes; you do not need to use special object classes to generate code with CSCs.
- The Custom Storage Class Designer (`cscdesigner`) tool, which is described in this chapter. This tool lets you define CSCs that are tailored to your code generation requirements. The Custom Storage Class Designer provides a graphical user interface that you can use to implement CSCs. You can use your CSCs in code generation immediately, without a Target Language Compiler (TLC) or other programming. See “Design Custom Storage Classes and Memory Sections” on page 10-9 for details.

## Create Packages for Custom Storage Class Definitions

Use MATLAB class syntax to create a data class in a package. You can assign properties to the data class and add initialization code to enable custom storage class definition. For complete instructions, see “Define Data Classes” in the Simulink documentation.

## Use Custom Storage Class Designer

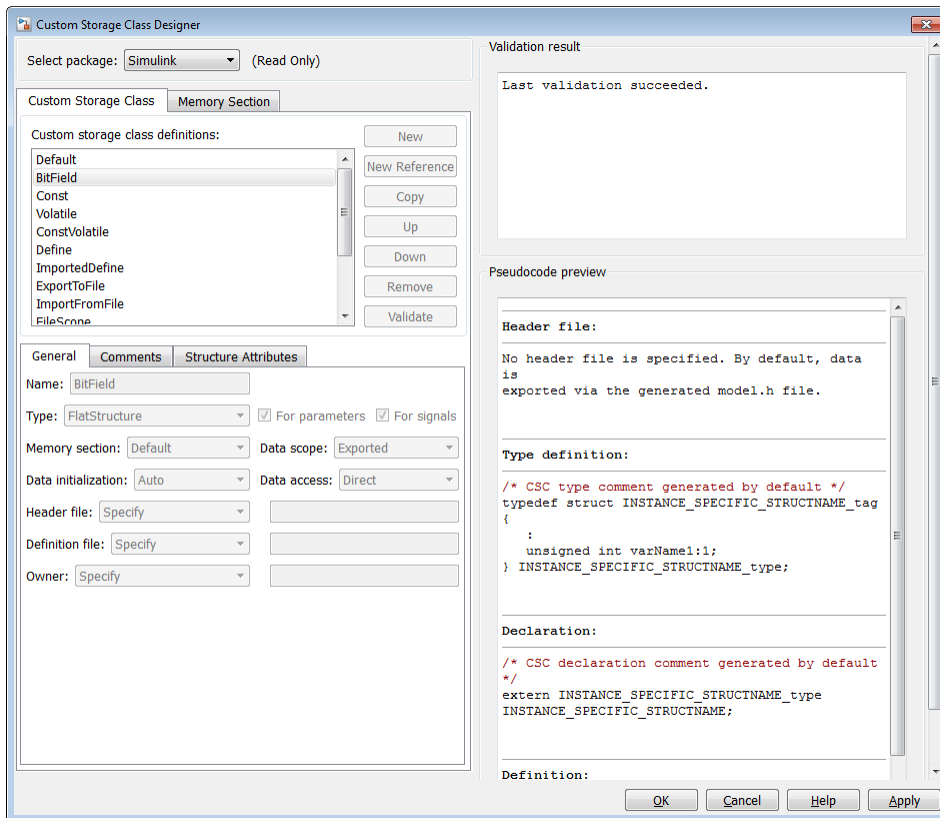
The Custom Storage Class Designer (`cscdesigner`) is a tool for creating and managing custom storage classes and memory sections. You can use the Custom Storage Class Designer to:

- Load existing custom storage classes and memory sections and view and edit their properties
- Create new custom storage classes and memory sections
- Create references to custom storage classes and memory sections defined in other packages
- Copy and modify existing custom storage class and memory section definitions
- Check a custom storage class and memory section definitions
- Preview pseudocode generated from custom storage class and memory section definitions
- Save custom storage class and memory section definitions

To open the Custom Storage Class Designer for a particular package, type the following command at the MATLAB prompt:

```
cscdesigner ('mypkg')
```

When first opened, the Custom Storage Class Designer scans data class packages on the MATLAB path to detect packages that have a CSC registration file. A message is displayed while scanning proceeds. When the scan is complete, the Custom Storage Class Designer window appears:



The Custom Storage Class Designer window is divided into several panels:

- **Select package:** Lets you select from a menu of data class packages that have CSC definitions associated with them. See “Select Data Class Package” on page 10-12 for details.
- **Custom Storage Class / Memory Section** properties: Lets you select, view, edit, copy, verify, and perform other operations on CSC definitions or memory section definitions. The common controls in the **Custom Storage Class / Memory Section** properties panel are described in “Manipulate Custom Storage Classes and Memory Sections” on page 10-13.

- When the **Custom Storage Class** tab is selected, you can select a CSC definition or reference from a list and edit its properties. See “Edit Custom Storage Class Properties” on page 10-16 for details.
- When the **Memory Section** tab is selected, you can select a memory section definition or reference from a list and edit its properties. See “Create and Edit Memory Section Definitions” on page 10-29 for details.
- **Filename:** Displays the filename and location of the current CSC registration file, and lets you save your CSC definition to that file. See “Save Definitions” on page 10-15 for details.
- **Pseudocode preview:** Displays a preview of code that is generated from objects of the given class. The preview is pseudocode, since the actual symbolic representation of data objects is not available until code generation time. See “Preview Generated Code” on page 10-31 for details.
- **Validation result:** Displays errors encountered when the currently selected CSC definition is validated. See “Validate Definitions Category” on page 10-22 for details.

### Select Data Class Package

A CSC or memory section definition or reference is uniquely associated with a Simulink data class package. The link between the definition/reference and the package is formed when a CSC registration file (`csc_registration.m`) is located in the package directory.

You need not search for or edit a CSC registration file directly: the Custom Storage Class Designer locates available CSC registration files. The **Select package** menu contains names of data class packages that have a CSC registration file on the MATLAB search path.

When you select a package, the CSCs and memory section definitions belonging to the package are loaded into memory and their names are displayed in the scrolling list in the **Custom storage class** panel. The name and location of the CSC registration file for the package is displayed in the **Filename** panel.

If you select a user-defined package, by default you can use the Custom Storage Class Designer to edit its custom storage classes and memory sections. If you select a built-in package, you cannot edit its custom storage classes or memory sections.

## Manipulate Custom Storage Classes and Memory Sections

The **Custom Storage Class / Memory Section** panel lets you select, view, and (if the CSC is writable) edit CSC and memory section definitions and references. In the next figure and the subsequent examples, the selected package is `mypkg`. Instructions for creating a user-defined package like `mypkg` appear in “Design Custom Storage Classes and Memory Sections” on page 10-9.

Select package: `mypkg`

Custom Storage Class    **Memory Section**

Custom storage class definitions:

- Default
- BitField**
- Const
- Volatile
- ConstVolatile
- Define
- ImportedDefine
- ExportToFile
- ImportFromFile
- FileScope

New  
New Reference  
Copy  
Up  
Down  
Remove  
Validate

General    **Comments**    Structure Attributes

Name: `BitField`

Type: `FlatStructure`     For parameters     For signals

Memory section: `Default`    Data scope: `Exported`

Data initialization: `Auto`    Data access: `Direct`

Header file: `Specify`

Definition file: `Specify`

Owner: `Specify`

The list at the top of the panel displays the definitions/references for the currently selected package. To select a definition/reference for viewing and editing, click on the desired list entry. The properties of the selected definition/reference appear in the area below the list. The number and type of properties vary for different types of CSC and memory section definitions. See:

- “Edit Custom Storage Class Properties” on page 10-16 for information about the properties of the predefined CSCs.
- “Create and Edit Memory Section Definitions” on page 10-29 for information about the properties of the predefined memory section definitions.

The buttons to the right of the list perform these functions, which are common to both custom storage classes and memory definitions:

- **New:** Creates a new CSC or memory section with default values.
- **New Reference:** Creates a reference to a CSC or memory section definition in another package. The default initially has a default name and properties. See “Use Custom Storage Class References” on page 10-22 and “Use Memory Section References” on page 10-32.
- **Copy:** Creates a copy of the selected definition / reference. The copy initially has a default name using the convention:

`definition_name_n`

where `definition_name` is the name of the original definition, and `n` is an integer indicating successive copy numbers (for example: `BitField_1`, `BitField_2`, ...)

- **Up:** Moves the selected definition one position up in the list.
- **Down:** Moves the selected definition one position down in the list
- **Remove:** Removes the selected definition from the list.
- **Validate:** Performs a consistency check on the currently selected definition. Errors are reported in the **Validation result** panel.

For example, if you click **New**, a new custom storage class is created with a default name:

Select package: mypkg

Custom Storage Class Memory Section

Custom storage class definitions:

- Default
- NewCSC\_1
- BitField
- Const
- Volatile
- ConstVolatile
- Define
- ImportedDefine
- ExportToFile
- ImportFromFile

New  
New Reference  
Copy  
Up  
Down  
Remove  
Validate

General Comments

Name: NewCSC\_1

Type: Unstructured  For parameters  For signals

Memory section: Default Data scope: Auto

Data initialization: Auto Data access: Direct

Header file: Specify

Definition file: Specify

Owner: Specify

You can now rename the new class by typing the desired name into the **Name** field, and specify other fields.

---

**Note:** The class name must be a valid MATLAB variable name. See “Variable Names”

---

Click **Apply** or **OK**.

### Save Definitions

After you have created or edited a CSC or memory section definition or reference, you must save the changes to the CSC registration file. To do this, click **Save** in the **Filename** panel. When you click **Save**, the current CSC and memory section definitions that are in memory are validated, and the definitions are written out.

If errors occur, they are reported in the **Validation result** panel. The definitions are saved whether or not errors exist. However, you should resolve validation errors and resave your definitions. Trying to use definitions that were saved with validation errors can cause additional errors. Such problems can occur even if you do not try to use the specific parts of the definition that contain the validation errors, making the problems difficult to diagnose.

### **Restart MATLAB After Changing Definitions**

If you add, change, or delete custom storage class or memory section definitions for a user-defined class, and objects of that class already exist, you must restart MATLAB to use the changed definitions and to eliminate obsolete objects. When you save the changed definitions, a message appears indicating that you must restart MATLAB.

### **Edit Custom Storage Class Properties**

To view and edit the properties of a CSC, click the **Custom Storage Class** tab in the **Custom Storage Class / Memory Section** panel. Then, select a CSC name from the **Custom storage class definitions** list.

The CSC properties are divided into several categories, selected by tabs. Selecting a class, and setting property values for that class, can change the available tabs, properties, and values. As you change property values, the changes in the generated code is immediately displayed in the **Pseudocode preview** panel. In most cases, you can define your CSCs quickly and easily by selecting the **Pseudocode preview** panel and using the **Validate** button frequently.

The property categories and corresponding tabs are as follows:

#### **General Category**

Properties in the **General** category are common to CSCs. In the next figure and the subsequent examples, the selected custom storage class is `ByteField`. Instructions for creating a user-defined custom storage class like `ByteField` appear in “Manipulate Custom Storage Classes and Memory Sections” on page 10-13.



The screenshot shows a configuration window with two tabs: 'General' (selected) and 'Comments'. The 'General' tab contains the following fields and values:

- Name: ByteField
- Type: Unstructured (dropdown menu)
- For parameters:
- For signals:
- Memory section: Default (dropdown menu)
- Data scope: Auto (dropdown menu)
- Data initialization: Auto (dropdown menu)
- Data access: Direct (dropdown menu)
- Header file: Specify (dropdown menu)
- Definition file: Specify (dropdown menu)
- Owner: Specify (dropdown menu)

Properties in the **General** category, and the possible values for each property, are as follows:

- **Name:** The CSC name, selected from the **Custom storage class definitions** list. The name cannot be a TLC keyword. Violating this rule causes an error.
- **Type:** Specifies how objects of this class are stored. Values:
  - **Unstructured:** Objects of this class generate unstructured storage declarations (for example, scalar or array variables), for example:
 

```
datatype dataname[dimension];
```
  - **FlatStructure:** Objects of this class are stored as members of a struct. A **Structure Attributes** tab is also displayed, allowing you to specify additional properties such as the struct name. See “Structure Attributes Category” on page 10-20.
  - **AccessFunction:** The generated code accesses objects of this class by calling custom **get** and **set** functions whose definitions you provide. See “Access Function Attributes Category” on page 10-21.
  - **Other:** Used for certain data layouts, such as nested structures, that cannot be generated using the standard **Unstructured** and **FlatStructure** custom storage class types. If you want to generate other types of data, you can create a new custom storage class from scratch by writing TLC code. See “Define Advanced Custom Storage Classes Types” on page 10-53 for more information.

- **For parameters** and **For signals**: These options let you enable a CSC for use with only certain classes of data objects. For example, it does not make sense to assign storage class `Const` to a `Simulink.Signal` object. Accordingly, the **For signals** option for the `Const` class is deselected, while the **For parameters** is selected.
- **Memory section**: Selects one of the memory sections defined in the **Memory Section** panel. See “Create and Edit Memory Section Definitions” on page 10-29.
- **Data scope**: Controls the scope of symbols generated for data objects of this class. Values:
  - **Auto**: Symbol scope is determined internally by code generation. If possible, symbols have `File` scope. Otherwise, they have `Exported` scope.
  - **Exported**: Symbols are exported to external code in the header file specified by the **Header File** field. If a **Header File** is not specified, symbols are exported to external code in `model.h`.
  - **Imported**: Symbols are imported from external code in the header file specified by the **Header File** field. If you do not specify a header file, an `extern` directive is generated in `model_private.h`.
  - **File**: The scope of each symbol is the file that defines it. File scope requires each symbol to be used in a single file. If the same symbol is referenced in multiple files, an error occurs at code generation time.
  - **Instance specific**: Symbol scope is defined by the **Data scope** field of the `CoderInfo.CustomAttributes` property of each data object.
- **Data initialization**: Controls how storage is initialized in generated code. Values:
  - **Auto**: Storage initialization is determined internally by the code generation. Parameters have `Static` initialization, and signals have `Dynamic` initialization.
  - **None**: Initialization code is not generated.
  - **Static**: A static initializer of the following form is generated:

```
datatype dataname[dimension] = {...};
```
  - **Dynamic**: Variable storage is initialized at runtime, in the `model_initialize` function.
  - **Macro**: A macro definition of the following form is generated:

```
#define data numeric_value
```

The **Macro** initialization option is available only for use with unstructured parameters. It is not available when the class is configured for generation of structured data, or for signals. If you set **Data scope** to **Imported**:

- To import a macro that you define by creating a preprocessor directive (**#define**), use the option **Header file** to configure the name of the header file that contains the directive.
- To import a macro that you define by configuring a compiler option, omit the header file.

To specify the compiler option, use the model configuration parameter **Configuration Parameters > Code Generation > Custom Code > Additional Build Information > Defines**. See Code Generation Pane: Custom Code: Additional Build Information: Defines.

- **Instance specific**: Initialization is defined by the **Data initialization** property of each data object.

---

**Note:** The code generator might include dynamic initialization code for signals and states even if the CSC has **Data initialization** set to **None** or **Static**, if the initialization is required.

---

- **Data access**: Controls whether imported symbols are declared as variables or pointers. This field is enabled only when **Data scope** is set to **Imported** or **Instance-specific**. Values:
  - **Direct**: Symbols are declared as simple variables, such as

```
extern myType myVariable;
```
  - **Pointer**: Symbols are declared as pointer variables, such as

```
extern myType *myVariable;
```
  - **Instance specific**: Data access is defined by the **Data access** property of each data object.
- **Header file**: Defines the name of a header file that contains exported or imported variable declarations for objects of this class. If you set **Type** to **AccessFunction**, **Header file** defines the name of the header file that contains your **get** and **set** function prototypes. Values:

- **Specify:** An edit field is displayed to the right of the property. This lets you specify a header file for exported or imported storage declarations. Specify the full filename, including the filename extension (such as `.h`). Use quotes or brackets as in C code to specify the location of the header file. Leave the edit field empty to not specify a header file.
- **Instance specific:** The header file for each data object is defined by the **Header file** property of the object. Leave the property undefined to not specify a header file for that object.

If the **Data scope** is **Exported**, specifying a header file is optional. If you specify a header file name, the custom storage class generates a header file containing the storage declarations to be exported. Otherwise, the storage declarations are exported in `model.h`.

If the **Data scope** of the class is **Imported**, a `#include` directive for the header file is generated.

## Comments Category

### Comments

The **Comments** panel lets you specify comments to be generated with definitions and declarations.

Comments must conform to the ANSI C standard (`/*...*/`). Use `\n` to specify a new line.

Properties in the **Comments** tab are as follows:

- **Comment rules:** If **Specify** is selected, edit fields are displayed for entering comments. If **Default** is selected, comments are generated under control of the code generation software.
- **Type comment:** The comment entered in this field precedes the `typedef` or `struct` definition for structured data.
- **Declaration comment:** Comment that precedes the storage declaration.
- **Definition comment:** Comment that precedes the storage definition.

## Structure Attributes Category

The **Structure Attributes** panel gives you detailed control over code generation for structs (including bitfields). The **Structure Attributes** tab is displayed for CSCs whose

**Type** parameter is set to `FlatStructure`. The following figure shows the **Structure Attributes** panel.

The **Structure Attributes** properties are as follows:

- **Struct name:** If you select `Instance specific`, specify the struct name when configuring each instance of the class.

If you select `Specify`, an edit field appears for entry of the name of the structure to be used in the `struct` definition. Edit fields **Type tag**, **Type token**, and **Type name** are also displayed.

- **Is typedef:** When this option is selected a `typedef` is generated for the struct definition, for example:

```
typedef struct {
    ...
} SignalDataStruct;
```

Otherwise, a simple struct definition is generated.

- **Bit-pack booleans:** When this option is selected, signals and/or parameters that have Boolean data type are packed into bit fields in the generated struct.
- **Type tag:** Specifies a tag to be generated after the `struct` keyword in the struct definition.
- **Type name:** Specifies the string to be used in `typedef` definitions. This field is visible if **Is typedef** is selected.
- **Type token:** Some compilers support an additional token (which is simply another string) after the type tag. To generate such a token, enter the string in this field.

### Access Function Attributes Category

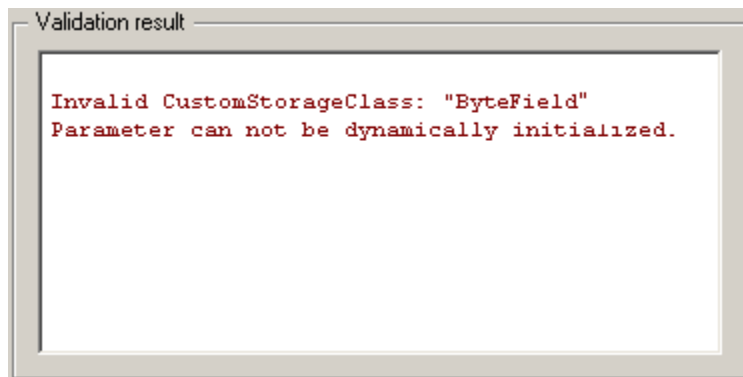
When you set **Type** to `AccessFunction` in the **General** panel, use the **Access Function Attributes** panel to control the `get` and `set` function names.

To apply the same `get` or `set` function naming scheme to all data items that use the custom storage class, set **Get function** or **Set function** to `Specify`. Then, in the new box, specify the function naming scheme, for example `get_myData_$$N`. Use the token `$$N` in each naming scheme to represent the name of each data item. If you do not use the token, each data item uses the same `get` or `set` function name, so the model generates an error when you generate code.

To specify a **get** or **set** function for each data item, set **Get function** or **Set function** to **Instance specific**. Later, when you create a data item and apply the custom storage class, specify the function name by configuring the custom attributes of the data item.

### Validate Definitions Category

To validate a CSC definition, select the definition on the **Custom Storage Class** panel and click **Validate**. The Custom Storage Class Designer then checks the definition for consistency. The **Validation result** panel displays a errors encountered when the selected CSC definition is validated. The next figure shows the **Validation result** panel with a typical error message:



Validation is also performed whenever CSC definitions are saved. In this case, all CSC definitions are validated. (See “Save Definitions” on page 10-15.)

### Use Custom Storage Class References

Packages can access and use custom storage classes that are defined in other packages, including both user-defined packages and predefined packages such as **Simulink**. Only one copy of the storage class exists, in the package that first defined it. Other packages refer to it by pointing to it in its original location. Changes to the class, including changes to a predefined class in later MathWorks product releases, are immediately available in every referencing package.

To configure a package to use a custom storage class that is defined in another package:

- 1 Type `cscdesigner` to launch the Custom Storage Class Designer.

The screenshot shows the configuration dialog for a Custom Storage Class in Simulink. At the top, the package is set to 'Simulink' and is read-only. The 'Memory Section' tab is selected. A list of custom storage class definitions is shown, with 'Default' selected. To the right of the list are buttons for 'New', 'New Reference', 'Copy', 'Up', 'Down', 'Remove', and 'Validate'. Below the list, the 'General' tab is active, showing configuration options for the selected class: Name (Default), Type (Unstructured), Memory section (Default), Data scope (Exported), Data initialization (Auto), Data access (Direct), Header file (Specify), Owner (Specify), and Definition file (Specify). Checkboxes for 'For parameters' and 'For signals' are also present.

- 2 Select the **Custom Storage Class** tab.
- 3 Use **Select Package** to select the package in which you want to reference a class or section defined in some other package. The selected package must be writable.
- 4 In the **Custom storage class definitions** pane, select the existing definition below which you want to insert the reference. For example:

Select package: mypkg

Custom Storage Class Memory Section

Custom storage class definitions:

- Default
- BitField
- Const
- Volatile
- ConstVolatile
- Define
- ImportedDefine
- ExportToFile
- ImportFromFile
- FileScope

New  
New Reference  
Copy  
Up  
Down  
Remove  
Validate

General Comments Structure Attributes

Name: BitField

Type: FlatStructure  For parameters  For signals

Memory section: Default Data scope: Exported

Data initialization: Auto Data access: Direct

Header file: Specify

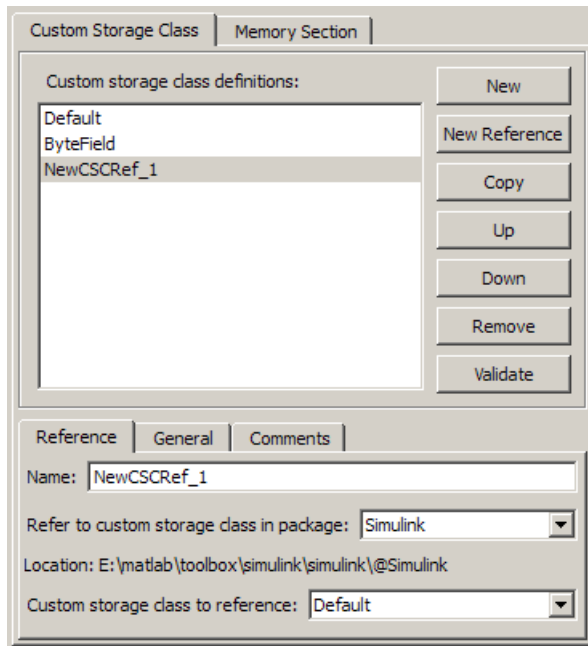
Definition file: Specify

Owner: Specify

5 Click **New Reference**.

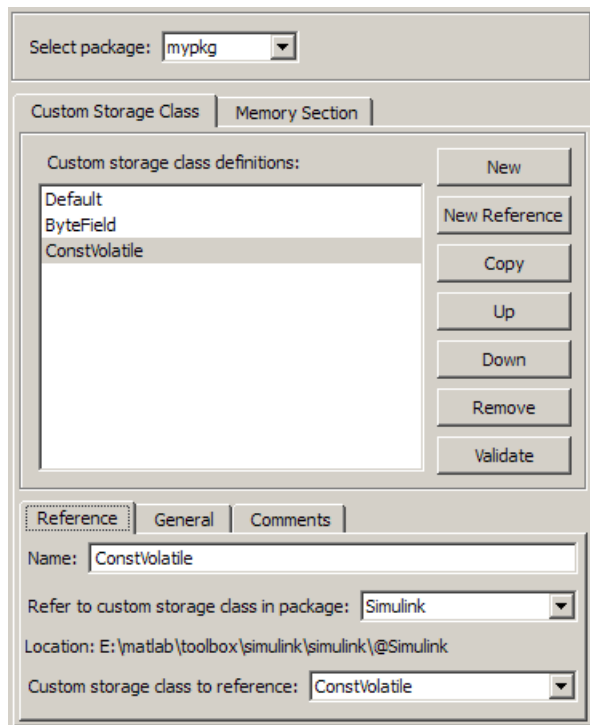
A new reference with a default name and properties appears below the previously selected definition. The new reference is selected, and a **Reference** tab appears that shows the reference's initial properties. A typical appearance is:





- 6 Use the **Name** field to enter a name for the new reference. The name must be unique in the importing package, but can duplicate the name in the source package. The name cannot be a TLC keyword. Violating this rule causes an error.
- 7 Set **Refer to custom storage class in package** to specify the package that contains the custom storage class you want to reference.
- 8 Set **Custom storage class to reference** to specify the custom storage class to be referenced. Trying to create a circular reference generates an error and leaves the package unchanged.
- 9 Click **OK** or **Apply** to save the changes to memory. See “Save Definitions” on page 10-15 for information about saving changes permanently.

For example, the next figure shows the custom storage class `ConstVolatile` imported from the `Simulink` package into `mypkg`, and given the same name that it has in the source package. Other names could have been used without affecting the properties of the storage class.



You can use Custom Storage Class Designer capabilities to copy, reorder, validate, and otherwise manage classes that have been added to a class by reference. However, you cannot change the underlying definitions. You can change a custom storage class only in the package where it was originally defined.

### Change Existing Custom Storage Class References

To change an existing CSC reference, select it in the **Custom storage class definitions** pane. The **Reference** tab appears, showing the current properties of the reference. Make changes, then click **OK** or **Apply** to save the changes to memory. See “Save Definitions” on page 10-15 for information about saving changes permanently.

### Protect Custom Storage Class Definitions

You can prevent changes to the custom storage class definitions of an entire data class package by converting the package CSC registration file from a MATLAB file to a P-file.

To learn more about CSC registration files, see “Custom Storage Class Implementation” on page 10-56.

## **Import Externally Defined Parameters into Simulink**

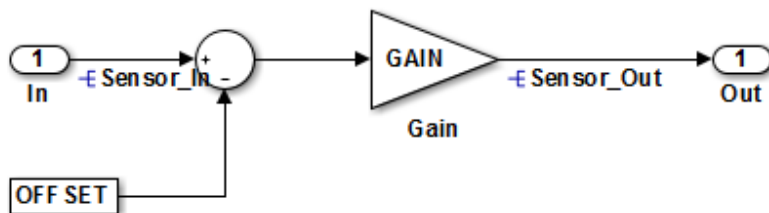
This model shows how to generate code that accesses the fields of a data structure. The data structure is defined in hand-written (legacy) code and accessed via pointer.

This technique enables users to switch between complete sets of parameters at run-time (e.g., reference & working versions).

### **Open Example Model**

Open the example model `rtwdemo_importstruct`.

```
open_system('rtwdemo_importstruct')
```



View User C-files  
Containing Imported Struct  
(double-click)

View Custom Code  
Configuration  
(double-click)

Custom Storage Class  
Definition  
(double-click)

View MATLAB program For  
Creating Variables  
(double-click)

View Workspace  
Variables  
(double-click)

Generate Code Using  
Embedded Coder  
(double-click)

Copyright 2006-2015 The MathWorks, Inc.

### Instructions

- 1 Inspect the handwritten user C-files containing the struct by double-clicking "View User C-files" in the model. Look at the header file `rtwdemo_importstruct_user.h` and the source file `rtwdemo_importstruct_user.c`.
- 2 Look at the **Custom Code** configuration by double-clicking the corresponding button in the model. Inspect the **Initialize function** of the **Include custom c-code in**

**generated** section to see how to add custom initialization function calls to the generated code. To see how to include custom C-files, look at **Source files** in the **Include list of additional** section.

- 3 View the custom storage class of the **ECoderDemos** package used in the model by double-clicking "Custom Storage Class Definition" in the model, and then selecting **StructPointer**. Inspect the settings of the tabs **General** and **Structure Attributes**. Change the attributes and watch the changes in the preview window. Note that you can specify the pointer name within the data object itself by setting the struct name to **Instance specific**.
- 4 Open the MATLAB program used to generate the data objects by double-clicking "View MATLAB code for Generating Variables" in the model. This file is executed by referencing it in the **PostLoadFcn** Callback of the Model Properties dialog box.
- 5 Look at the workspace variables by clicking the "View Workspace Variables" button in the model.
- 6 Generate code for the model by double-clicking "Generate Code." The code generation report appears. Open the model C-file `rtwdemo_importstruct.c`. Inspect the model step function `rtwdemo_importstruct_step`. Notice the user-specific code in the model initialization function `rtwdemo_importstruct_initialize`.

## Create and Edit Memory Section Definitions

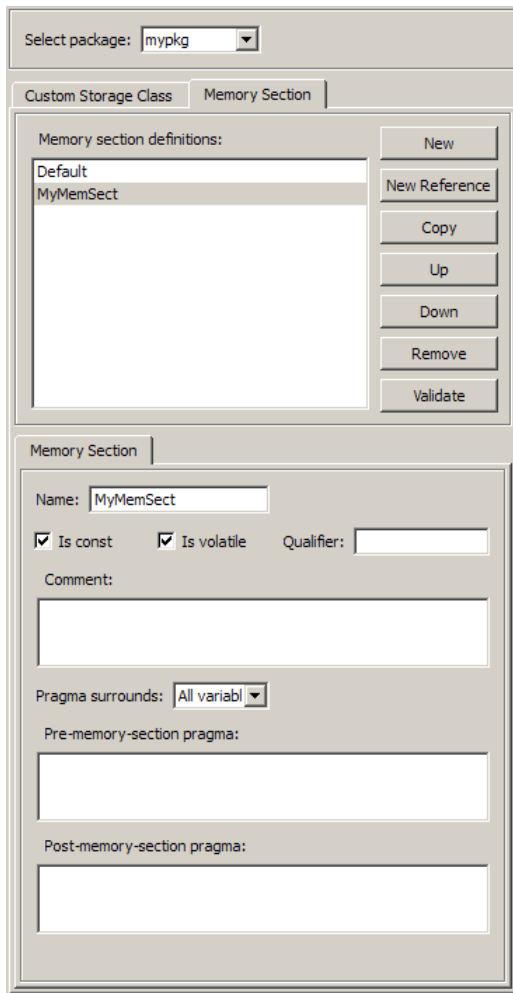
Memory section definitions add comments, qualifiers, and `#pragma` directives to generated symbol declarations. The **Memory Section** tab lets you create, view, edit, and verify memory section definitions. The steps for creating a memory section definition are essentially the same as for creating a custom storage class definition:

- 1 Select a writable package in the **Select package** field.
- 2 Select the **Memory Section** tab. In a new package, only a **Default** memory section initially appears.
- 3 Select the existing memory section below which you want to create a new memory section.
- 4 Click **New**.

A new memory section definition with a default name appears below the selected memory section.

- 5 Set the name and other properties of the memory section.
- 6 Click **OK** or **Apply**.

The next figure shows `mypkg` with a memory section called `MyMemSect`:



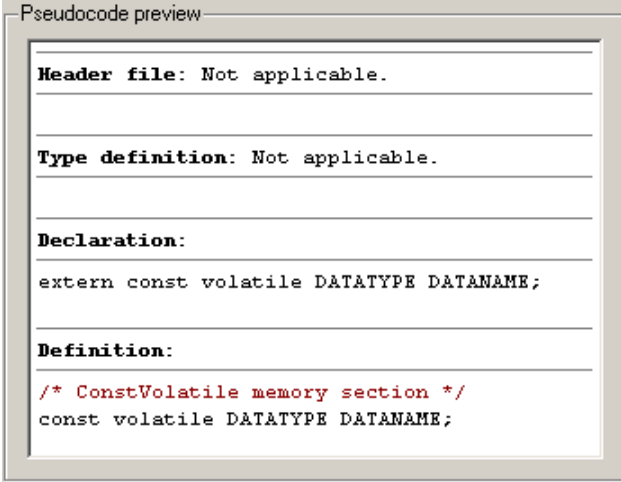
The **Memory section definitions** list lets you select a memory section definition to view or edit. The available memory section definitions also appear in the **Memory section name** menu in the **Custom Storage Class** panel. The properties of a memory section definition are as follows:

- **Memory section name:** Name of the memory section (displayed in **Memory section definitions** list).

- **Is const:** If selected, a `const` qualifier is added to the symbol declarations.
- **Is volatile:** If selected, a `volatile` qualifier is added to the symbol declarations.
- **Qualifier:** The string entered into this field is added to the symbol declarations as a further qualifier. Note that verification is not performed on this qualifier.
- **Memory section comment:** Comment inserted before declarations belonging to this memory section. Comments must conform to the ANSI C standard (`/* . . . */`). Use `\n` to specify a new line.
- **Pragma surrounds:** Specifies whether the pragma should surround `All variables` or `Each variable`. When **Pragma surrounds** is set to `Each variable`, the `%<identifier>` token is allowed in pragmas and will be replaced by the variable or function name.
- **Pre-memory section pragma:** pragma directive that precedes the storage definition of data belonging to this memory section. The directive must begin with `#pragma`.
- **Post-memory section pragma:** pragma directive that follows the storage definition of data belonging to this memory section. The directive must begin with `#pragma`.

### Preview Generated Code

If you click **Validate** on the **Memory Section** panel, the **Pseudocode preview** panel displays a preview of code that is generated from objects of the given class. The panel also displays messages (in blue) to highlight changes as they are made. The code preview changes dynamically as you edit the class properties. The next figure shows a code preview for the `MemConstVolatile` memory section.



```

Pseudocode preview
Header file: Not applicable.

Type definition: Not applicable.

Declaration:
extern const volatile DATATYPE DATANAME;

Definition:
/* ConstVolatile memory section */
const volatile DATATYPE DATANAME;

```

## Use Memory Section References

Packages can access and use memory sections that are defined in other packages, including both user-defined packages and predefined packages such as `Simulink`. Only one copy of the section exists, in the package that first defined it; other packages refer to it by pointing to it in its original location. Changes to the section, including changes to a predefined section in later MathWorks product releases, are immediately available in every referencing package.

To configure a package to use a memory section that is defined in another package:

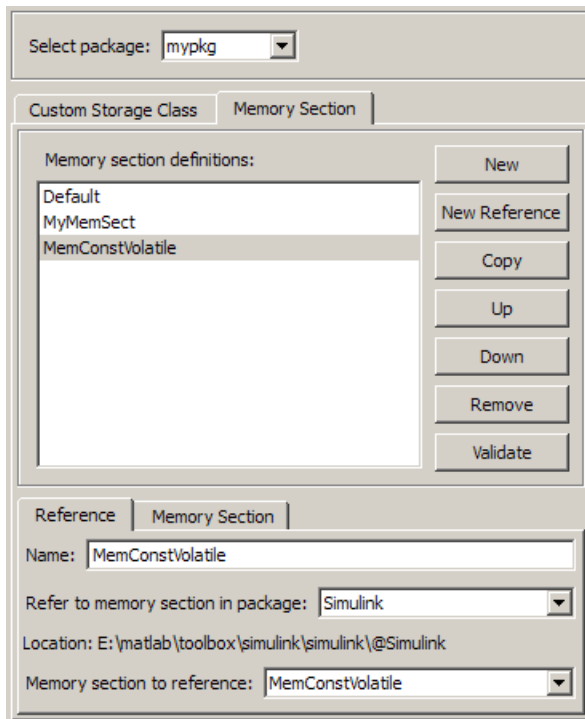
- 1 Type `cscdesigner` to launch the Custom Storage Class Designer.
- 2 Select the **Memory Section** tab.
- 3 Use **Select Package** to select the package in which you want to reference a class or section defined in some other package.
- 4 In the **Memory section definitions** pane, select the existing definition below which you want to insert the reference.
- 5 Click **New Reference**.

A new reference with a default name and properties appears below the previously selected definition. The new reference is selected, and a **Reference** tab appears that shows the reference's initial properties.

- 6 Use the **Name** field to enter a name for the new reference. The name must be unique in the importing package, but can duplicate the name in the source package.
- 7 Set **Refer to memory section in package** to specify the package that contains the memory section you want to reference.
- 8 Set **Memory section to reference** to specify the memory section to be referenced. Trying to create a circular reference generates an error and leaves the package unchanged.
- 9 Click **OK** or **Apply** to save the changes to memory. See “Save Definitions” on page 10-15 for information about saving changes permanently.

For example, the next figure shows the memory section `MemConstVolatile` imported from the `Simulink` package into `mypkg`, and given the same name that it has in the source package. Other names could have been used without affecting the properties of the memory section.





You can use Custom Storage Class Designer capabilities to copy, reorder, validate, and otherwise manage memory sections that have been added to a class by reference. However, you cannot change the underlying definitions. You can change a memory section only in the package where it was originally defined.

### Change Existing Memory Section References

To change an existing memory section reference, select it in the **Memory section definitions** pane. The **Reference** tab appears, showing the current properties of the reference. Make changes, then click **OK** or **Apply** to save the changes to memory. See “Save Definitions” on page 10-15 for information about saving changes permanently.

### Related Examples

- “Control Data Code by Creating Custom Storage Class” on page 10-48
- “Control Data Representation by Applying Custom Storage Classes” on page 10-35

- “Generate Code with Custom Storage Classes” on page 10-43
- “Data Objects”
- “Introduction to Custom Storage Classes” on page 10-2
- “Define Advanced Custom Storage Classes Types” on page 10-53

## Control Data Representation by Applying Custom Storage Classes

To control the declaration and definition of variables in the generated code, use the custom storage classes available with Embedded Coder. You can use custom storage classes to, for example, export multiple definitions or declarations to a single generated file, create structures and bit fields, and append storage type qualifiers to declarations.

To use custom storage classes, you can:

- Apply them to data objects, such as `Simulink.Parameter` and `Simulink.Signal`, that you associate with signal lines, block parameters, and states.
- Specify them for signal lines and block states through dialog boxes and embedded signal objects. These techniques do not require you to store a data object in a workspace.

The custom storage classes then determine how the generated code represents the signals, parameters, and states.

To achieve a range of goals such as grouping variables into flat structures, or controlling declaration and definition file placement, use the custom storage classes from the built-in package `Simulink`. For more information about the capabilities of these custom storage classes, see “Simulink Package Custom Storage Classes” on page 10-5.

If the custom storage classes from the `Simulink` package do not satisfy your requirements, you can define your own custom storage classes. For basic information about defining your own custom storage class, see “Design Custom Storage Classes and Memory Sections” on page 10-9.

### In this section...

“Apply a Custom Storage Class from the `Simulink` Package Using Data Objects” on page 10-36

“Create and Apply Your Own Custom Storage Class Using Data Objects” on page 10-37

“Apply Custom Storage Classes Directly to Signal Lines and Block States” on page 10-38

“Apply Custom Storage Classes Directly to Signals and States Using Embedded Signal Objects” on page 10-39

“Specify Instance-Specific Attributes” on page 10-41

**In this section...**

“Generate Code with Custom Storage Classes” on page 10-43

“Declare and Interface with Data Using Custom Storage Classes” on page 10-45


“Custom Storage Class Limitations” on page 10-46

## Apply a Custom Storage Class from the Simulink Package Using Data Objects

To apply a custom storage class from the built-in package `Simulink` to a signal, block parameter, or state:

- 1 Create a data object such as `Simulink.Parameter` or `Simulink.Signal`.
- 2 Configure the data object properties, including code generation settings. Specify the custom storage class.
- 3 Associate the data object with a signal, block parameter, or state in a model. For example:
  - In a block parameter dialog box, specify the name of a parameter data object.
  - Use the name of a signal data object to name a signal in a model. In the Signal Properties dialog box, select **Signal name must resolve to Simulink signal object**.

### Specify Custom Storage Class for Data Object

- 1 In the Model Explorer **Model Hierarchy** pane, select the workspace that you want to contain the data object.
- 2 Click Add Parameter  to create a `Simulink.Parameter` object.
- 3 In the **Contents** pane, click the new data object, which is named `Param` by default.
- 4 In the **Dialog** pane, in the drop-down list **Storage class**, select `ExportToFile (Custom)`.
- 5 Under **Custom attributes**, specify additional code generation settings that the custom storage class requires. For example, specify **HeaderFile** as `myDataHdr.h`.

### Programmatically Specify Custom Storage Class for Data Object

`% Create a data object. For example, create a`

```

% Simulink.Parameter object.
myParam = Simulink.Parameter(15.23);

% Specify the custom storage class called ExportToFile.
myParam.CoderInfo.StorageClass = 'Custom';
myParam.CoderInfo.CustomStorageClass = 'ExportToFile';

% Specify custom attributes for this data object.
myParam.CoderInfo.CustomAttributes.HeaderFile = 'myDataHdr.h';

```

## Create and Apply Your Own Custom Storage Class Using Data Objects


To create your own custom storage class, you must create a data class package and define the custom storage class in the package. Afterward, you can apply the custom storage class to signals, block parameters, and states:

- 1 Create a data object from your data class package. For example, if you name your package `myPackage`, you create data objects such as `myPackage.Parameter` and `myPackage.Signal`.
- 2 Configure the data object properties, including code generation settings. Specify the custom storage class that you defined.
- 3 Associate the data object with a signal, block parameter, or state in a model. For example, specify the name of a parameter object in a block parameter dialog box, or use the name of a signal object to name a signal in a model.

For an example that shows how to control the generated code by creating and applying a custom storage class, see “Control Data Code by Creating Custom Storage Class” on page 10-48.

### Specify Custom Storage Class for Data Object

Suppose that you define a data class package `myPackage` and a custom storage class `ExportDefToFile` in that package.

- 1 In the Model Explorer **Model Hierarchy** pane, select the workspace that you want to contain the data object.
- 2 Click the arrow next to Add Parameter . In the drop-down list, select **Customize class lists**.
- 3 In the dialog box, under **Parameter classes**, select the check box next to `myPackage.Parameter`. Click **OK**.

- 4 Click the arrow next to Add Parameter again. In the drop-down list, select **myPackage Parameter**.

A new data object appears in the workspace. The default object name is `Param`.

- 5 In the **Contents** pane, select the new data object. In the **Dialog** pane, in the drop-down list **Storage class**, select `ExportDefToFile (Custom)`.
- 6 Under **Custom attributes**, specify additional code generation settings that the custom storage class requires. For example, suppose that data objects that use `ExportDefToFile` require you to specify a definition file. You can specify **DefinitionFile** as `myDataSrc.c`.

### Programmatically Specify Custom Storage Class for Data Object

Suppose that you define a data class package `myPackage` and a custom storage class `ExportDefToFile` in that package.

```
% Create a data object from your package. For example, create a  
% myPackage.Parameter object.
```

```
myParam = myPackage.Parameter(15.23);
```

```
% Specify the custom storage class ExportDefToFile.
```

```
myParam.CoderInfo.StorageClass = 'Custom';  
myParam.CoderInfo.CustomStorageClass = 'ExportDefToFile';
```

```
% Specify custom attributes for this data object. For example, suppose that  
% ExportDefToFile requires a definition file for each data object.
```

```
myParam.CoderInfo.CustomAttributes.DefinitionFile = 'myDataSrc.c';
```

### Apply Custom Storage Classes Directly to Signal Lines and Block States

Through dialog boxes, you can apply custom storage classes directly to signal lines and block states. You do not need a data object that you store in a workspace or data dictionary. However, you cannot use a signal object in a workspace to specify other characteristics of the signal or state, such as data type.

To apply a storage class directly to a signal line, use the Signal Properties dialog box. For a block state, use the **State Attributes** tab in the block dialog box.

To apply a custom storage class from the built-in package `Simulink`:

- 1 Open the **Code Generation** tab in a Signal Properties dialog box, or the **State Attributes** tab in a block dialog box.

- 2 Specify a name in the **Signal name** box or the **State name** box. Click **Apply**.
- 3 In the **Storage class** drop-down list, select a custom storage class.

To apply a custom storage class from a different package:

- 1 Open the **Code Generation** tab in a Signal Properties dialog box or the **State Attributes** tab in a block dialog box.
- 2 Specify a name in the **Signal name** box or the **State name** box. Click **Apply**.
- 3 In the **Signal object class** drop-down list, choose a package by selecting a signal object class that the target package defines. For example, to apply custom storage classes from the built-in package `Simulink`, select `Simulink.Signal`.

If the class that you want does not appear in the list:

- a From the drop-down list, select `Customize class lists`.
- b In the dialog box, under **Signal classes**, select the check box next to the class that you want. For example, to use custom storage classes from the built-in package `mpt`, select the check box next to `mpt.Signal`. Click **OK**.

If you created your own package, the classes that the package defines appear in the dialog box only if you put the package folder in your current folder or on the MATLAB path.

- c From the drop-down list, select the option that corresponds to what you selected. For example, select `mpt.Signal`.
- 4 In the **Storage class** drop-down list, select a custom storage class.

## Apply Custom Storage Classes Directly to Signals and States Using Embedded Signal Objects

You can use *embedded signal objects* to apply custom storage classes to signal lines and block states. The embedded signal object does not appear in a workspace, so you do not need to save the object in a separate file. However, you can use embedded signal objects to specify only a custom storage class, the associated custom attributes, and an alias for the object. You must specify other signal or state characteristics, such as data type, in the source block dialog box.

If you create an embedded signal object for a signal or state, you cannot use a signal object in a workspace to specify other characteristics of the signal or state. The signal or state name resolves only to the embedded signal object.

To attach an embedded signal object to a signal or state:

- 1 Create a temporary signal object in a workspace such as the base workspace.
- 2 Specify a custom storage class and associated custom attributes.
- 3 Programmatically assign the object to:
  - The corresponding block output if the target is a signal
  - The corresponding block state if the target is a state
- 4 Optionally, delete the temporary signal object from the workspace.

This example shows how to attach an embedded signal object to a signal in a model.

- 1 Open the example model `rtwdemo_secondOrderSystem`.

```
rtwdemo_secondOrderSystem
```

- 2 Create a handle to the output of the block named Force: `f(t)`.

```
portHandles = get_param('rtwdemo_secondOrderSystem/Force: f(t)', 'PortHandles');  
outputHandle = portHandles.Output;
```

- 3 Set the name of the corresponding signal to `ForceSignal`.

```
set_param(outputHandle, 'Name', 'ForceSignal')
```

- 4 In the base workspace, create a signal object and specify a custom storage class and relevant custom attributes.

```
tempObj = Simulink.Signal;  
tempObj.CoderInfo.StorageClass = 'Custom';  
tempObj.CoderInfo.CustomStorageClass = 'ExportToFile';  
tempObj.CoderInfo.CustomAttributes.HeaderFile = 'myHdrFile.h';
```

You can create the object from the data class package `Simulink`, or from any other package, such as a package that you create.

- 5 Embed the signal object in the target signal line by attaching a copy of the temporary workspace object.

```
set_param(outputHandle, 'SignalObject', tempObj);
```

- 6 Clear the object from the base workspace. The signal now uses an embedded copy of the object.

```
clear tempObj
```



To modify an existing embedded signal object, copy the object into the base workspace, modify the copy, and reattach the copy. For example, to change the custom storage class of the embedded signal object attached to the signal `ForceSignal`:

- 1 Copy the existing embedded signal object into the base workspace.

```
tempObj = get_param(outportHandle, 'SignalObject');
```

- 2 Modify the properties of the object in the workspace.

```
tempObj.CoderInfo.CustomStorageClass='ImportFromFile';
tempObj.CoderInfo.CustomAttributes.HeaderFile = 'myOtherHdrFile.h';
```

- 3 Reattach a copy of the signal object.

```
set_param(outportHandle, 'SignalObject', tempObj);
clear tempObj
```

To attach an embedded signal object to a block state, using the `set_param` function, specify the block parameter `StateIdentifier` to name the state. Use the parameter `StateSignalObject` to embed the signal object.

## Specify Instance-Specific Attributes

A custom storage class can have properties that define attributes that are specific to that CSC. Such properties are called *instance-specific attributes*. For example, if you specify the `Struct` custom storage class, you must specify the name of the C language structure that will store the data. That name is an instance-specific attribute of the `Struct` CSC.

Data objects have a property called `CoderInfo`, which stores an object of the class `Simulink.CoderInfo`. Instance-specific attributes are stored in the `Simulink.CoderInfo` property `CustomAttributes`. This property is initially defined as follows:

```
SimulinkCSC.AttribClass_Simulink_Default
1x1 struct array with no fields
```

When you specify a custom storage class, Simulink automatically populates `CoderInfo.CustomAttributes` with fields to represent instance-specific attributes of that CSC. For example, if you set the storage class of a data object `MyObj` to `Struct`, then enter:

```
MyObj.CoderInfo.CustomAttributes
```

MATLAB displays:

```
SimulinkCSC.AttribClass_Simulink_Struct
  StructName: ''
```

To specify that `StructName` is `MyStruct`, enter:

```
MyObj.CoderInfo.CustomAttributes.StructName='MyStruct'
```

MATLAB displays:

```
SimulinkCSC.AttribClass_Simulink_Struct
  StructName: 'MyStruct'
```

The table lists instance-specific attributes that the custom storage classes from the built-in package `Simulink` define. When a data object uses one of these custom storage classes, you can specify the corresponding instance-specific attribute values in the object.

Custom Storage Class Name	Instance-Specific Attribute	Purpose
BitField	CustomAttributes.StructName	Name of the bitfield <code>struct</code> into which the code generator packs the object's Boolean data.
ExportToFile	CustomAttributes.HeaderFile	Name of header ( <code>.h</code> ) file that contains exported variable declarations and export directives for the object.
GetSet	CustomAttributes.HeaderFile	Name of header ( <code>.h</code> ) file to <code>#include</code> in the generated code. See “Access Data Through Functions with Custom Storage Class <code>GetSet</code> ” on page 10-58.
	CustomAttributes.GetFunction	String that specifies the name of a function call to read data.
	CustomAttributes.SetFunction	String that specifies the name of a function call to write data.
ImportedDefine	CustomAttributes.HeaderFile	The header file that defines the values of code variant preprocessor conditionals. See “Generate Preprocessor Conditionals for Subsystem and Model Variants” on page 4-30.

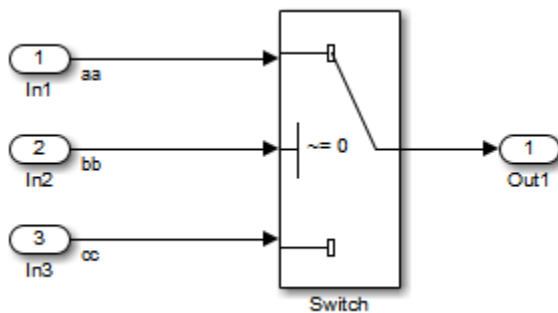
Custom Storage Class Name	Instance-Specific Attribute	Purpose
ImportFromFile	CustomAttributes.HeaderFile	Name of header (.h) file containing global variable declarations the code generator imports for the object.
Struct	CustomAttributes.StructName	Name of the <code>struct</code> into which the code generator packs the object's data.

If you use a *grouped* custom storage class, you cannot specify many of its properties on an instance-specific basis. A grouped custom storage class combines multiple pieces of data into a single data structure. Data that use this format must have the same properties such as **Header file**, **Data scope**, and **Data initialization**. For example, the custom storage classes `BitField` and `Struct` represent multiple data objects in the generated code by using a single structure variable.

## Generate Code with Custom Storage Classes

This example shows how to control data representation in the generate code by using custom storage classes and data objects.

Before you generate code for a model that uses custom storage classes, clear the **Configuration Parameters > All Parameters > Ignore custom storage classes** model option. Otherwise, the code generator ignores custom storage class specifications and treats data objects as if their **Storage Class** were `SimulinkGlobal`.

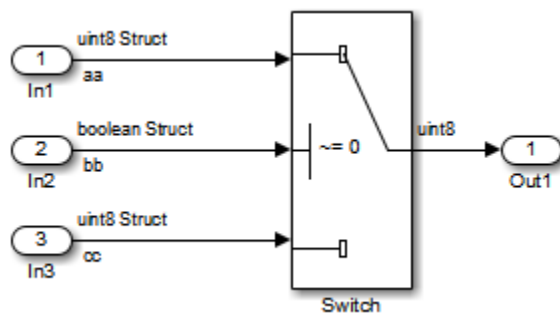


The model above contains three named signals: **aa**, **bb**, and **cc**. Using the **Struct** custom storage class, the example generates code that packs these signals into a **struct** named **mySignals**. The **struct** declaration is then exported to externally written code.

To specify the **struct**, you provide **Simulink.Signal** objects that specify the **Struct** custom storage class, and associate the objects with the signals as described in “Apply a Custom Storage Class from the Simulink Package Using Data Objects” on page 10-36. The three objects have the same properties. To view the properties, double-click one of the objects in the workspace browser (base workspace).

The association between identically named model signals and signal objects is formed as described in “Symbol Resolution”. In this example, the symbols **aa**, **bb**, and **cc** resolve to the signal objects **aa**, **bb**, and **cc**, which have custom storage class **Struct**. In the generated code, storage for the three signals will be allocated within a **struct** named **mySignals**.

To display the storage class of the signals in the model, select **Display > Signals & Ports > Storage Class** in the Simulink editor. The figure below shows the block diagram with signal data types and signal storage classes displayed.



With the model’s signal objects defined and associated with signals, you can generate code that uses the custom storage classes to generate the desired data structure for the signals. After code generation, the relevant definitions and declarations are located in three files:

- *model\_types.h* defines the following **struct** type for storage of the three signals:

```
typedef struct MySignals_tag {
    boolean_T bb;
```

```

    uint8_T aa;
    uint8_T cc;
} mySignals_type;

```

- *model.c* (or *.cpp*) defines the variable `mySignals`, as specified in the object's instance-specific `StructName` attribute. The code generated for the Switch block references the variable:

```

/* Definition for Custom Storage Class: Struct */

```

```

mySignals_type mySignals = {
/* cc */
FALSE,
/* bb */
0,
/* aa */
0
};
...
/* Switch: '<Root>/Switch1' */
if(mySignals.cc) {
    rtb_Switch1 = mySignals.aa;
} else {
    rtb_Switch1 = mySignals.bb;
}

```

- *model.h* exports the `mySignals` Struct variable:

```

/* Declaration for Custom Storage Class: Struct */

```

```

extern mySignals_type mySignals;

```

## Declare and Interface with Data Using Custom Storage Classes

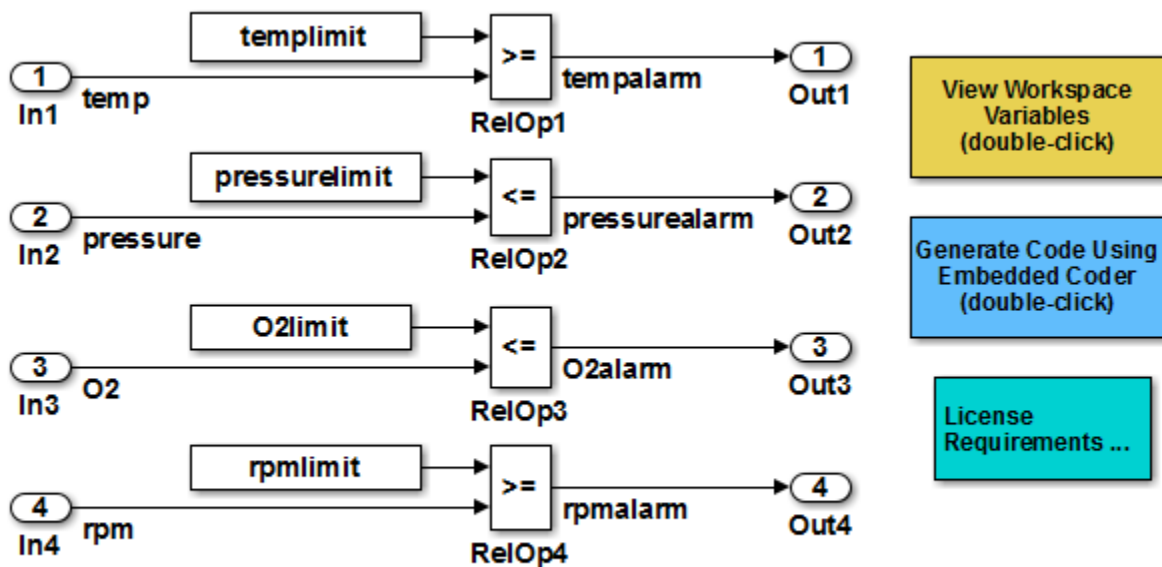
Custom storage classes allow you to declare and interface with virtually any type of data. This model shows three of the several predefined custom storage classes provided with Embedded Coder. In this example, custom storage classes are specified for signals via the "Signal Properties..." dialog of a line and for parameters via Simulink parameter objects in the MATLAB Workspace.

Open the example model `rtwdemo_cscpredef`.

```

open_system('rtwdemo_cscpredef')

```



Copyright 1994-2015 The MathWorks, Inc.

- The input signals use the custom storage class `Struct`.
- The constant parameters use the custom storage class `ConstVolatile`.
- The output signals use the custom storage class `BitField`.

You can use the Custom Storage Class Designer to:

- Create new custom storage classes
- Reference custom storage classes from other packages

To launch the Custom Storage Class Designer, type `cscdesigner` at the command prompt.

## Custom Storage Class Limitations

- Data objects cannot have a custom storage class and a multi-word data type.
- The `FCn` block does not support parameters with custom storage class in code generation.

- For custom storage classes in models that use referenced models:
  - If you apply a grouped custom storage class to data, the custom storage class' **Data scope** property must be **Imported** and the data declaration must be provided in a user-supplied header file. Grouped custom storage classes use a single variable in the generated code to represent multiple data objects. For example, the custom storage classes **BitField** and **Struct** are grouped custom storage classes.
  - You cannot apply the custom storage class **FileScope** to parameters that referenced models use.
  - If data is assigned an ungrouped CSC, such as **Const**, and the data's **Data scope** property is **Exported**, its **Header file** property must be unspecified. This results in the data being exported with the standard header file, *model.h*. Note that for ungrouped data, the **Data scope** and **Header file** properties are either specified by the selected CSC, or as one of the data object's instance-specific properties.
- You cannot apply the custom storage class **FileScope** to data items used by a data exchange interface (C API, external mode, or ASAP2) or MAT-file logging. File-scoped data are not externally accessible.

## Related Examples

- “Control Data Code by Creating Custom Storage Class” on page 10-48
- “Design Custom Storage Classes and Memory Sections” on page 10-9
- “Data Objects”
- “Introduction to Custom Storage Classes” on page 10-2
- “Define Advanced Custom Storage Classes Types” on page 10-53

## Control Data Code by Creating Custom Storage Class

When you integrate code generated from a model with existing code from another source, you can design custom storage classes to control the declaration and definition of model signals and block parameters. This example shows how to control code generated from a model by creating and applying your own custom storage class.

### In this section...

“Explore Example Model” on page 10-48

“Create Data Class Package” on page 10-48

“Create Custom Storage Class” on page 10-49

“Apply Custom Storage Class” on page 10-50

“Generate Code” on page 10-51

### Explore Example Model

Open the model `rtwdemo_cscpredef`. You can control code generated from this model by defining your own data classes and creating your own custom storage classes.

This example shows you how to export the declarations and definitions of multiple signals and parameters in the model to one declaration header file and one definition file.

### Create Data Class Package

To create custom storage classes, you first create a data class package to contain the custom storage class definitions. Data objects created from your package can use all of the custom storage classes that the package defines.

- 1 Create your own data class package by copying the example package folder `+SimulinkDemos`. Navigate to the example package folder.

```
% Remember the current folder path
currentPath = pwd;
```

```
% Navigate to the example package folder
demoPath = '\toolbox\simulink\simdemos\dataclasses';
cd([matlabroot,demoPath])
```

- 2 Copy the `+SimulinkDemos` folder to your clipboard.



- 3 Return to your working folder.

```
cd(currentPath)
```

- 4 Paste the +SimulinkDemos folder from your clipboard into your working folder. Rename the copied folder to +myPackage.
- 5 Navigate inside the +myPackage folder to the file Signal.m to edit the definition of the Signal class.
- 6 Uncomment the methods section that defines the method setupCoderInfo. In the call to the function useLocalCustomStorageClasses, replace 'packageName' with 'myPackage'. When you finish, the section appears as follows:

```
methods
    function setupCoderInfo(h)
        % Use custom storage classes from this package
        useLocalCustomStorageClasses(h, 'myPackage');
    end
end % methods
```

The function useLocalCustomStorageClasses allows you to apply the custom storage classes that myPackage defines to data objects that you create from myPackage.

- 7 Save and close the file.
- 8 Navigate inside the +myPackage folder to the file Parameter.m to edit the definition of the Parameter class. Uncomment the methods section that defines the method setupCoderInfo and replace 'packageName' with 'myPackage'.
- 9 Save and close the file.

## Create Custom Storage Class

You can use the Custom Storage Class Designer to create or to edit the custom storage classes that a data class package defines.

- 1 Set your current folder to the folder that contains the package myPackage.
- 2 Open the Custom Storage Class Designer.
 

```
cscdesigner('myPackage')
```
- 3 Select the custom storage class ExportToFile.
- 4 In the **Name** field, rename the custom storage class to ExportToGlobal.

- 5 In the **Header file** drop-down list, change the selection from **Instance specific** to **Specify**. In the new field, provide the header file name `global.h`.
- 6 In the **Definition file** drop-down list, change the selection from **Instance specific** to **Specify**. In the new field, provide the definition file name `global.c`.
- 7 Click **OK**. Click **Yes** to save changes to the data class package `myPackage`.

## Apply Custom Storage Class

To apply your own custom storage class, you create data objects from your package and configure the objects to use your custom storage class.

- 1 Create data objects to represent some of the parameters and signals in the example model. Create the objects using the data class package `myPackage`.

```
% Parameters
```

```
templimit = myPackage.Parameter(202);  
pressurelimit = myPackage.Parameter(45.2);  
O2limit = myPackage.Parameter(0.96);  
rpmlimit = myPackage.Parameter(7400);
```

```
% Signals
```

```
tempalarm = myPackage.Signal;  
pressurealarm = myPackage.Signal;  
O2alarm = myPackage.Signal;  
rpmalarm = myPackage.Signal;
```

- 2 Set the custom storage class of each object to `ExportToGlobal`.

```
% Parameters
```

```
templimit.CoderInfo.StorageClass = 'Custom';  
templimit.CoderInfo.CustomStorageClass = 'ExportToGlobal';  
pressurelimit.CoderInfo.StorageClass = 'Custom';  
pressurelimit.CoderInfo.CustomStorageClass = 'ExportToGlobal';  
O2limit.CoderInfo.StorageClass = 'Custom';  
O2limit.CoderInfo.CustomStorageClass = 'ExportToGlobal';  
rpmlimit.CoderInfo.StorageClass = 'Custom';  
rpmlimit.CoderInfo.CustomStorageClass = 'ExportToGlobal';
```

```
% Signals
```

```
tempalarm.CoderInfo.StorageClass = 'Custom';  
tempalarm.CoderInfo.CustomStorageClass = 'ExportToGlobal';  
pressurealarm.CoderInfo.StorageClass = 'Custom';  
pressurealarm.CoderInfo.CustomStorageClass = 'ExportToGlobal';
```

```
O2alarm.CoderInfo.StorageClass = 'Custom';
O2alarm.CoderInfo.CustomStorageClass = 'ExportToGlobal';
rpmalarm.CoderInfo.StorageClass = 'Custom';
rpmalarm.CoderInfo.CustomStorageClass = 'ExportToGlobal';
```

- 3 Select the **Signal name must resolve to Simulink signal object** option for each of the target signals in the model. You can select the option by using the Signal Properties dialog box or by using the command prompt.

```
% Signal tempalarm
portHandles = get_param('rtwdemo_cscpredef/RelOp1', 'PortHandles');
outputPortHandle = portHandles.Outport;
set_param(outputPortHandle, 'MustResolveToSignalObject', 'on')
```

```
% Signal pressurealarm
portHandles = get_param('rtwdemo_cscpredef/RelOp2', 'PortHandles');
outputPortHandle = portHandles.Outport;
set_param(outputPortHandle, 'MustResolveToSignalObject', 'on')
```

```
% Signal O2alarm
portHandles = get_param('rtwdemo_cscpredef/RelOp3', 'PortHandles');
outputPortHandle = portHandles.Outport;
set_param(outputPortHandle, 'MustResolveToSignalObject', 'on')
```

```
% Signal rpmalarm
portHandles = get_param('rtwdemo_cscpredef/RelOp4', 'PortHandles');
outputPortHandle = portHandles.Outport;
set_param(outputPortHandle, 'MustResolveToSignalObject', 'on')
```

## Generate Code

- 1 Generate code for the example model.

```
rtwbuild('rtwdemo_cscpredef')
```

- 2 In the code generation report, view the generated header file `global.h`. The file contains the `extern` declarations of all of the model signals and parameters that use the custom storage class `ExportToGlobal`.

```
/* Declaration for custom storage class: ExportToGlobal */
extern boolean_T O2alarm;
extern real_T O2limit;
extern boolean_T pressurealarm;
extern real_T pressurelimit;
extern boolean_T rpmalarm;
```

```
extern real_T rpmlimit;  
extern boolean_T tempalarm;  
extern real_T templimit;
```

- 3 View the generated file `global.c`. The file contains the definitions of the model signals and parameters that use the custom storage class `ExportToGlobal`.

```
/* Definition for custom storage class: ExportToGlobal */  
boolean_T O2alarm;  
real_T O2limit = 0.96;  
boolean_T pressurealarm;  
real_T pressurelimit = 45.2;  
boolean_T rpmalarm;  
real_T rpmlimit = 7400.0;  
boolean_T tempalarm;  
real_T templimit = 202.0;
```

## Related Examples

- “Generate Code with Custom Storage Classes” on page 10-43
- “Control Data Representation by Applying Custom Storage Classes” on page 10-35
- “Design Custom Storage Classes and Memory Sections” on page 10-9
- “Data Objects”
- “Introduction to Custom Storage Classes” on page 10-2
- “Define Advanced Custom Storage Classes Types” on page 10-53

## Define Advanced Custom Storage Classes Types

### In this section...

“Introduction” on page 10-53

“Create Your Own Parameter and Signal Classes” on page 10-53

“Create Custom Attributes Classes for Custom Storage Classes” on page 10-53

“Write TLC Code for Custom Storage Classes” on page 10-54

“Register Custom Storage Class Definitions” on page 10-54

“Custom Storage Class Implementation” on page 10-56

### Introduction

Certain data layouts, such as nested structures, cannot be generated using the standard `Unstructured` and `FlatStructure` custom storage class types. You can define an *advanced custom storage class* if you want to generate other types of data. Creating advanced CSCs requires understanding TLC programming and using a special advanced mode of the Custom Storage Class Designer. These sections explain how to define advanced CSC types. For more information about TLC programming, see “Why Use the Target Language Compiler?”.

### Create Your Own Parameter and Signal Classes

The first step is to create your own package containing classes derived from `Simulink.Parameter` or `Simulink.Signal`. This procedure is described in “Define Data Classes” in the Simulink documentation.

### Create Custom Attributes Classes for Custom Storage Classes

If you have instance-specific properties that are relevant only to your CSC, you should create a *custom attributes class* for the package. A custom attributes class is a subclass of `Simulink.CustomStorageClassAttributes`. The name, type, and default value properties you set for the custom attributes class define the user view of instance-specific properties. For instructions, see “Define Data Classes” in the Simulink documentation.

For example, the `ExportToFile` custom storage class requires that you set the `CoderInfo.CustomAttributes.HeaderFile` property to specify a `.h` file used for

exporting each piece of data. See “Simulink Package Custom Storage Classes” on page 10-5 for further information on instance-specific properties.

---

**Note:** If you rename or remove custom attributes, you may need to manually edit the `csc_registration` file for the associated package to remove references to the custom attributes that you renamed or removed.

---

## Write TLC Code for Custom Storage Classes

The next step is to write TLC code that implements code generation for data of your new custom storage class. A template TLC file is provided for this purpose. To create your TLC code, follow these steps:

- 1 Create a `tlc` directory inside your package's `+directory` (if it does not already exist). The naming convention to follow is  
`+PackageName/tlc`
- 2 Copy `TEMPLATE_v1.tlc` (or another CSC template) from the folder `matlabroot/toolbox/rtw/targets/ecoder/csc_templates` (open) into your `tlc` directory to use as a starting point for defining your custom storage class.
- 3 Write your TLC code, following the comments in the CSC template file. Comments describe how to specify code generation for data of your custom storage class (for example, how data structures are to be declared, defined, and whether they are accessed by value or by reference).

Alternatively, you can copy a custom storage class TLC file from another existing package as a starting point for defining your custom storage class.

## Register Custom Storage Class Definitions

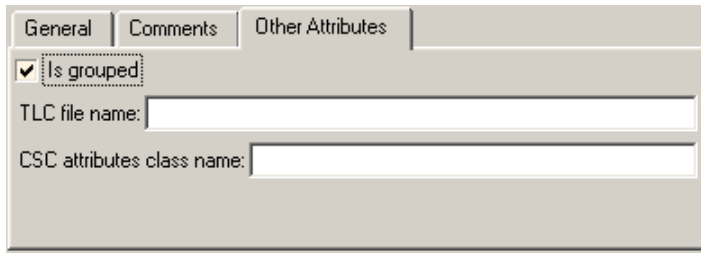
After you have created a package for your new custom storage class and written its associated TLC code, you must register your class definitions with the Custom Storage Class Designer, using its advanced mode.

The advanced mode supports selection of an additional storage class **Type**, designated **Other**. The **Other** type is designed to support special CSC types that cannot be accommodated by the standard **Unstructured** and **FlatStructure** custom storage class types. The **Other** type cannot be assigned to a CSC except when the Custom Storage Class Designer is in advanced mode.

To register your class definitions:

- 1 Launch the Custom Storage Class Designer in advanced mode by typing the following command at the MATLAB prompt:
 

```
cscdesigner -advanced
```
- 2 Select your package and create a new custom storage class.
- 3 Set the **Type** of the custom storage class to **Other**. Note that when you do this, the **Other Attributes** pane is displayed. This pane is visible only for CSCs whose **Type** is set to **Other**.



If you specify a customized package, additional options, as defined by the package, also appear on the **Other Attributes** pane.

- 4 Set the properties shown on the **Other Attributes** pane. The properties are:
  - **Is grouped:** Select this option if you intend to combine multiple data objects of this CSC into a single variable in the generated code. For example, the built-in custom storage classes **BitField** and **Struct** are grouped because they can represent multiple data objects in the generated code by using a single structure variable.
  - **TLC file name:** Enter the name of the TLC file corresponding to this custom storage class. The location of the file is assumed to be in the `/tlc` subdirectory for the package, so you should not enter the path to the file.
  - **CSC attributes class name:** (optional) If you created a custom attributes class corresponding to this custom storage class, enter the full name of the custom attributes class. (see “Create Custom Attributes Classes for Custom Storage Classes” on page 10-53).
- 5 Set the remaining properties on the **General** and **Comments** panes based on the layout of the data that you wish to generate (as defined in your TLC file).

## Custom Storage Class Implementation

The file that defines a package's custom storage classes is called a *CSC registration file*. The file is named `csc_registration` and resides in the `+package` directory that defines the package. A CSC registration file can be a P-file (`csc_registration.p`) or a MATLAB file (`csc_registration.m`). A built-in package defines custom storage classes in both a P-file and a functionally equivalent MATLAB file. A user-defined package initially defines custom storage classes only in a MATLAB file.

P-files take precedence over MATLAB files, so when MATLAB looks for a package's CSC registration file and finds both a P-file and a MATLAB file, MATLAB loads the P-file and ignores the MATLAB file. The capabilities and tools, including the Custom Storage Class Designer, then use the CSC definitions stored in the P-file. P-files cannot be edited, so CSC Designer editing capabilities are disabled for CSCs stored in a P-file. If a P-file does not exist, MATLAB loads CSC definitions from the MATLAB file. MATLAB files are editable, so CSC Designer editing capabilities are enabled for CSCs stored in a MATLAB file.

Because CSC definitions for a built-in package exist in both a P-file and a MATLAB file, they are uneditable. You can make the definitions editable by deleting the P-file, but it is not recommended to modify built-in CSC registration files or other files under `matlabroot`. The preferred technique is to create packages, data classes, and custom storage classes, as described in “Define Data Classes” in the Simulink documentation.

The CSC Designer saves CSC definitions for user-defined packages in a MATLAB file, so the definitions are editable. You can make the definitions uneditable by using the `pcode` function to create an equivalent P-file, which will then shadow the MATLAB file. However, you should preserve the MATLAB file if you may need to make further changes, because you cannot modify CSC definitions that exist only in a P-file.

You can also use tools or techniques other than the Custom Storage Class Designer to create and edit MATLAB files that define CSCs. However, that practice is vulnerable to syntax errors and can give unexpected results. When MATLAB finds an older P-file that shadows a newer MATLAB file, it displays a warning in the MATLAB Command Window.

## Related Examples

- “Introduction to the Target Language Compiler”
- “Control Data Code by Creating Custom Storage Class” on page 10-48



- “Control Data Representation by Applying Custom Storage Classes” on page 10-35
- “Generate Code with Custom Storage Classes” on page 10-43
- “Design Custom Storage Classes and Memory Sections” on page 10-9
- “Data Object Information in model.rtw”

## Access Data Through Functions with Custom Storage Class `GetSet`

To integrate the generated code with legacy code that uses specialized functions to read from and write to data, you can use the custom storage class `GetSet`. Signals, block parameters, and states that use `GetSet` appear in the generated code as calls to accessor functions. You provide the function definitions.

### Access Legacy Data Using `Get` and `Set` Functions

This example shows how to generate code that interfaces with legacy code by using specialized `get` and `set` functions to access data.

View the example legacy header file `ComponentDataHdr.h`. The file defines a large structure type `ComponentData`.

```
rtwdemodbtype('ComponentDataHdr.h', '/* ComponentData */', 'ComponentData;', 1, 1)

/* ComponentData */

typedef struct {
    ScalarData scalars;
    VectorData vectors;
    StructData structs;
    MatricesData matrices;
} ComponentData;
```

The field `scalars` is a substructure that uses the structure type `ScalarData`. The structure type `ScalarData` defines three scalar fields: `inSig`, `scalarParam`, and `outSig`.

```
rtwdemodbtype('ComponentDataHdr.h', '/* ScalarData */', 'ScalarData;', 1, 1)

/* ScalarData */

typedef struct {
    double inSig;
    double scalarParam;
    double outSig;
} ScalarData;
```

View the example legacy source file `getsetSrc.c`. The file defines and initializes a global variable `ex_getset_data` that uses the structure type `ComponentData`. The initialization includes values for the substructure `scalars`.

```
rtwdemodbtype('getsetSrc.c', /* Field "scalars" */, /* End of "scalars" */, 1, 1)

    /* Field "scalars" */
    {
    3.9,

    12.3,

    0.0
    },
    /* End of "scalars" */
```

The file also defines functions that read from and write to the fields of the substructure `scalars`. The functions simplify data access by dereferencing the leaf fields of the global structure variable `ex_getset_data`.

```
rtwdemodbtype('getsetSrc.c', ...
    /* Scalar get() and set() functions */, /* End of scalar functions */, 1, 1)

/* Scalar get() and set() functions */

double get_inSig(void)
{
    return ex_getset_data.scalars.inSig;
}

void set_inSig(double value)
{
    ex_getset_data.scalars.inSig = value;
}

double get_scalarParam(void)
{
    return ex_getset_data.scalars.scalarParam;
}

void set_scalarParam(double value)
{
    ex_getset_data.scalars.scalarParam = value;
```

```

}

double get_outSig(void)
{
    return ex_getset_data.scalars.outSig;
}

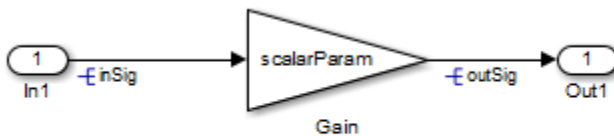
void set_outSig(double value)
{
    ex_getset_data.scalars.outSig = value;
}

```

View the example legacy header file `getsetHdrScalar.h`. The file contains the `extern` prototypes for the `get` and `set` functions defined in `getsetSrc.c`.

Open the example model `rtwdemo_getset_scalar`. The model creates the data objects `inSig`, `outSig`, and `scalarParam` in the base workspace. The objects correspond to the signals and parameter in the model.

```
open_system('rtwdemo_getset_scalar')
```



Copyright 2015 The Mathworks, Inc.

In the base workspace, double-click the object `inSig` to view its properties. The object uses the custom storage class `GetSet`. The `GetFunction` and `SetFunction` properties are set to the defaults, `get_$$N` and `set_$$N`. The generated code uses the function names that you specify in `GetFunction` and `SetFunction` to read from and write to the data. The code replaces the token `$$N` with the name of the data object. For example, for the data object `inSig`, the generated code uses calls to the legacy functions `get_inSig` and `set_inSig`.

For the data object `inSig`, the `HeaderFile` property is set to `getsetHdrScalar.h`. This legacy header file contains the `get` and `set` function prototypes. The data objects `outSig` and `scalarParam` also use the custom storage class `GetSet` and the header file `getsetHdrScalar.h`.

In the model Configuration Parameters dialog box, on the **Code Generation > Custom Code** pane, under **Include list of additional**, select **Source files**. The **Source files** box identifies the source file `getsetSrc.c` for inclusion during the build process. This legacy source file contains the `get` and `set` function definitions and the definition of the global structure variable `ex_getset_data`.

Generate code with the example model.

```
rtwbuild('rtwdemo_getset_scalar');

### Starting build procedure for model: rtwdemo_getset_scalar
### Successful completion of build procedure for model: rtwdemo_getset_scalar
```

In the code generation report, view the file `rtwdemo_getset_scalar.c`. The model **step** function uses the legacy `get` and `set` functions to execute the algorithm. The generated code accesses the legacy signal and parameter data by calling the custom, handwritten `get` and `set` functions.

```
rtwdemodbtype(fullfile('rtwdemo_getset_scalar_ert_rtw','rtwdemo_getset_scalar.c'),...
    /* Model step function */,'}',1,1)

/* Model step function */
void rtwdemo_getset_scalar_step(void)
{
    /* Gain: '<Root>/Gain' incorporates:
     *   Inport: '<Root>/In1'
     */
    set_outSig(get_scalarParam() * get_inSig());
}
```

You can generate code that calls your custom `get` and `set` functions as long as the functions that you write accept and return the expected values. For scalar data, the functions must have these characteristics:

- The `get` function must return a single scalar numeric value of the appropriate data type, and must not accept any arguments (`void`).
- The `set` function must not return anything (`void`), and must accept a single scalar numeric value of the appropriate data type.

## Use GetSet with Vector Data

This example shows how to apply the custom storage class `GetSet` to signals and parameters that are vectors.

View the example legacy header file `ComponentDataHdr.h`. The file defines a large structure type `ComponentData`.

```
rtwdemodbtype('ComponentDataHdr.h', '/* ComponentData */', '}' ComponentData;', 1, 1)

/* ComponentData */

typedef struct {
    ScalarData scalars;
    VectorData vectors;
    StructData structs;
    MatricesData matrices;
} ComponentData;
```

The field `vectors` is a substructure that uses the structure type `VectorData`. The structure type `VectorData` defines three vector fields: `inVector`, `vectorParam`, and `outVector`. The vectors each have five elements.

```
rtwdemodbtype('ComponentDataHdr.h', '/* VectorData */', '}' VectorData;', 1, 1)

/* VectorData */

typedef struct {
    double inVector[5];
    double vectorParam[5];
    double outVector[5];
} VectorData;
```

View the example legacy source file `getsetSrc.c`. The file defines and initializes a global variable `ex_getset_data` that uses the structure type `ComponentData`. The initialization includes values for the substructure `vectors`.

```
rtwdemodbtype('getsetSrc.c', '/* Field "vectors" */', '/* End of "vectors" */', 1, 1)

/* Field "vectors" */
{
    {5.7, 6.8, 1.2, 3.5, 10.1},
    {12.3, 18.7, 21.2, 28, 32.9},
    {0.0, 0.0, 0.0, 0.0, 0.0}
}
```

```
},  
/* End of "vectors" */
```

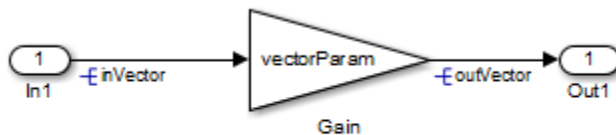
The file also defines functions that read from and write to the fields of the substructure **vectors**. The functions simplify data access by dereferencing the leaf fields of the global structure variable **ex\_getset\_data**. To access the vector data, all of the functions accept an integer index argument. The **get** function returns the vector value at the input index. The **set** function assigns the input **value** to the input index.

```
rtwdemodbtype('getsetSrc.c',...  
    /* Vector get() and set() functions */,'/* End of vector functions */',1,1)  
  
/* Vector get() and set() functions */  
  
double get_inVector(int index)  
{  
    return ex_getset_data.vectors.inVector[index];  
}  
  
void set_inVector(int index, double value)  
{  
    ex_getset_data.vectors.inVector[index] = value;  
}  
  
double get_vectorParam(int index)  
{  
    return ex_getset_data.vectors.vectorParam[index];  
}  
  
void set_vectorParam(int index, double value)  
{  
    ex_getset_data.vectors.vectorParam[index] = value;  
}  
  
double get_outVector(int index)  
{  
    return ex_getset_data.vectors.outVector[index];  
}  
  
void set_outVector(int index, double value)  
{  
    ex_getset_data.vectors.outVector[index] = value;  
}
```

View the example legacy header file `getsetHdrVector.h`. The file contains the extern prototypes for the `get` and `set` functions defined in `getsetSrc.c`.

Open the example model `rtwdemo_getset_vector`. The model creates the data objects `inVector`, `outVector`, and `vectorParam` in the base workspace. The objects correspond to the signals and parameter in the model.

```
open_system('rtwdemo_getset_vector')
```



Copyright 2015 The Mathworks, Inc.

In the base workspace, double-click the object `inVector` to view its properties. The object uses the custom storage class `GetSet`. The property `HeaderFile` is specified as `getsetHdrVector.h`. This legacy header file contains the `get` and `set` function prototypes.

In the model Configuration Parameters dialog box, on the **Code Generation > Custom Code** pane, the example legacy source file `getsetSrc.c` is identified for inclusion during the build process. This legacy source file contains the `get` and `set` function definitions and the definition of the global structure variable `ex_getset_data`.

Generate code with the example model.

```
rtwbuild('rtwdemo_getset_vector');

### Starting build procedure for model: rtwdemo_getset_vector
### Successful completion of build procedure for model: rtwdemo_getset_vector
```

In the code generation report, view the file `rtwdemo_getset_vector.c`. The model step function uses the legacy `get` and `set` functions to execute the algorithm.

```
rtwdemodbtype(fullfile('rtwdemo_getset_vector_ert_rtw','rtwdemo_getset_vector.c'),...
    /* Model step function */,'}',1,1)
```



```

/* Model step function */
void rtwdemo_getset_vector_step(void)
{
    int32_T i;

    /* Gain: '<Root>/Gain' incorporates:
     * Inport: '<Root>/In1'
     */
    for (i = 0; i < 5; i++) {
        set_outVector( i , get_vectorParam( i ) * get_inVector( i ));
    }
}

```

When you use the custom storage class `GetSet` with vector data, the `get` and `set` functions that you provide must accept an index input. The `get` function must return a single element of the vector. The `set` function must write to a single element of the vector.

## Use GetSet with Structured Data

This example shows how to apply the custom storage class `GetSet` to nonvirtual bus signals and structure parameters in a model.

View the example legacy header file `ComponentDataHdr.h`. The file defines a large structure type `ComponentData`.

```

rtwdemodbtype( 'ComponentDataHdr.h', '/* ComponentData */', '}' ComponentData;', 1,1)

/* ComponentData */
typedef struct {
    ScalarData scalars;
    VectorData vectors;
    StructData structs;
    MatricesData matrices;
} ComponentData;

```

The field `structs` is a substructure that uses the structure type `StructData`. The structure type `StructData` defines three fields: `inStruct`, `structParam`, and `outStruct`.

```

rtwdemodbtype( 'ComponentDataHdr.h', '/* StructData */', '}' StructData;', 1,1)

```

```
/* StructData */  
  
typedef struct {  
    SigBus inStruct;  
    ParamBus structParam;  
    SigBus outStruct;  
} StructData;
```

The fields `inStruct`, `structParam`, and `outStruct` are also substructures that use the structure types `SigBus` and `ParamBus`. Each of these two structure types define three scalar fields.

```
rtwdemodbtype('ComponentDataHdr.h', '/* SigBus */', ' ParamBus', 1, 1)
```

```
/* SigBus */  
  
typedef struct {  
    double cmd;  
    double sensor1;  
    double sensor2;  
} SigBus;  
  
/* ParamBus */  
  
typedef struct {  
    double offset;  
    double gain1;  
    double gain2;  
} ParamBus;
```

View the example legacy source file `getsetSrc.c`. The file defines and initializes a global variable `ex_getset_data` that uses the structure type `ComponentData`. The initialization includes values for the substructure `structs`.

```
rtwdemodbtype('getsetSrc.c', '/* Field "structs" */', '/* End of "structs" */', 1, 1)
```

```
/* Field "structs" */  
{  
    {1.3, 5.7, 9.2},  
  
    {12.3, 9.6, 1.76},  
}
```

```

        {0.0, 0.0, 0.0}
    },
    /* End of "structs" */

```

The file also defines functions that read from and write to the fields of the substructure **structs**. The functions simplify data access by dereferencing the fields of the global structure variable `ex_getset_data`. The functions access the data in the fields `inStruct`, `structParam`, and `outStruct` by accepting and returning complete structures of the types `SigBus` and `ParamBus`.

```

rtwdemodbtype('getsetSrc.c',...
    /* Structure get() and set() functions */,'/* End of structure functions */',1,1)

/* Structure get() and set() functions */

SigBus get_inStruct(void)
{
    return ex_getset_data.structs.inStruct;
}

void set_inStruct(SigBus value)
{
    ex_getset_data.structs.inStruct = value;
}

ParamBus get_structParam(void)
{
    return ex_getset_data.structs.structParam;
}

void set_structParam(ParamBus value)
{
    ex_getset_data.structs.structParam = value;
}

SigBus get_outStruct(void)
{
    return ex_getset_data.structs.outStruct;
}

void set_outStruct(SigBus value)
{
    ex_getset_data.structs.outStruct = value;
}

```

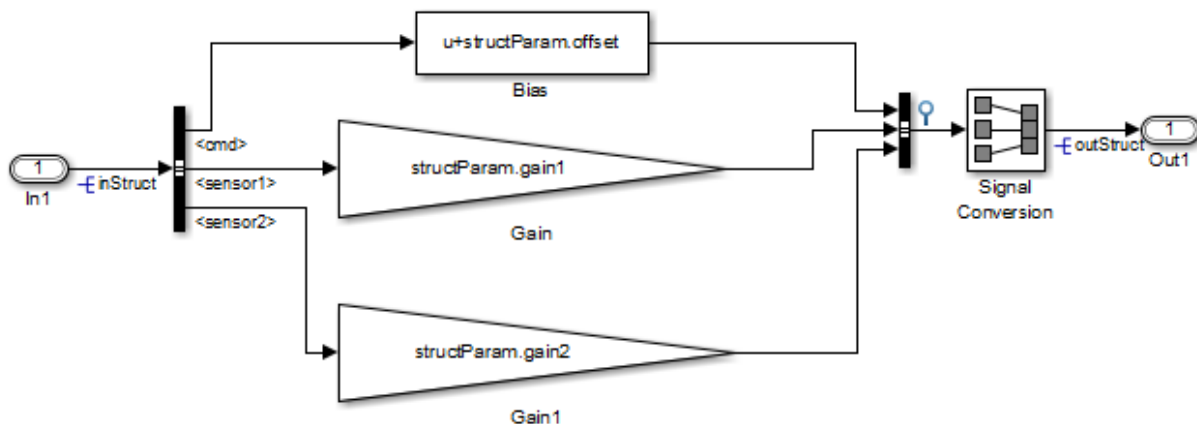
```
}

```

View the example legacy header file `getsetHdrStruct.h`. The file contains the `extern` prototypes for the `get` and `set` functions defined in `getsetSrc.c`.

Open the example model `rtwdemo_getset_struct`. The model creates the data objects `inStruct`, `structParam`, and `outStruct` in the base workspace. The objects correspond to the signals and parameter in the model.

```
open_system('rtwdemo_getset_struct')
```



Copyright 2015 The Mathworks, Inc.

In the base workspace, double-click the object `inStruct` to view its properties. The object uses the custom storage class `GetSet`. The property `HeaderFile` is specified as `getsetHdrStruct.h`. This legacy header file contains the `get` and `set` function prototypes.

The model also creates the bus objects `ParamBus` and `SigBus` in the base workspace. The signals and parameter in the model use the bus types that these objects define. The property `DataScope` of each bus object is set to `Imported`. The property `HeaderFile` is set to `ComponentDataHdr.h`. The generated code imports these structure types from the legacy header file `ComponentDataHdr.h`.

In the model Configuration Parameters dialog box, on the **Code Generation > Custom Code** pane, the example legacy source file `getsetSrc.c` is identified for inclusion during the build process. This legacy source file contains the `get` and `set` function definitions and the definition of the global structure variable `ex_getset_data`.

Generate code with the example model.

```
rtwbuild('rtwdemo_getset_struct');

### Starting build procedure for model: rtwdemo_getset_struct
### Successful completion of build procedure for model: rtwdemo_getset_struct
```

In the code generation report, view the file `rtwdemo_getset_struct.c`. The model step function uses the legacy `get` and `set` functions to execute the algorithm.

```
rtwdemodbtype(fullfile('rtwdemo_getset_struct_ert_rtw','rtwdemo_getset_struct.c'),...
    /* Model step function */,'}',1,1)

/* Model step function */
void rtwdemo_getset_struct_step(void)
{
    /* Bias: '<Root>/Bias' incorporates:
     * Inport: '<Root>/In1'
     */
    rtDW.BusCreator.cmd = get_inStruct().cmd + get_structParam().offset;

    /* Gain: '<Root>/Gain' incorporates:
     * Inport: '<Root>/In1'
     */
    rtDW.BusCreator.sensor1 = get_structParam().gain1 * get_inStruct().sensor1;

    /* Gain: '<Root>/Gain1' incorporates:
     * Inport: '<Root>/In1'
     */
    rtDW.BusCreator.sensor2 = get_structParam().gain2 * get_inStruct().sensor2;

    /* SignalConversion: '<Root>/Signal Conversion' */
    set_outStruct(rtDW.BusCreator);
}
```

When you use the custom storage class `GetSet` with structured data, the `get` and `set` functions that you provide must return and accept complete structures. The generated code dereferences individual fields of the structure that the `get` function returns.

The output signal of the Bus Creator block is a test point. This signal is the input for a Signal Conversion block. The test point and the Signal Conversion block exist so that the generated code defines a variable for the output of the Bus Creator block. To provide a complete structure argument for the function `set_outStruct`, you must configure the model to create this variable.

## Use GetSet with Matrix Data

This example shows how to apply the custom storage class `GetSet` to signals and parameters that are matrices.

View the example legacy header file `ComponentDataHdr.h`. The file defines a large structure type `ComponentData`.

```
rtwdemodbtype('ComponentDataHdr.h',...
    /* ComponentData */,'} ComponentData;',1,1)

/* ComponentData */

typedef struct {
    ScalarData scalars;
    VectorData vectors;
    StructData structs;
    MatricesData matrices;
} ComponentData;
```

The field `matrices` is a substructure that uses the structure type `MatricesData`. The structure type `MatricesData` defines three fields: `matrixInput`, `matrixParam`, and `matrixOutput`. The fields store matrix data as serial arrays. In this case, the input and parameter fields each have 15 elements. The output field has nine elements.

```
rtwdemodbtype('ComponentDataHdr.h'...
    , /* MatricesData */,'} MatricesData;',1,1)

/* MatricesData */

typedef struct {
    double matrixInput[15];
    double matrixParam[15];
    double matrixOutput[9];
} MatricesData;
```

View the example legacy source file `getsetSrc.c`. The file defines and initializes a global variable `ex_getset_data` that uses the structure type `ComponentData`. The initialization includes values for the substructure matrices.

```
rtwdemodbtype('getsetSrc.c',...
  /* Field "matrices" */,'/* End of "matrices" */',1,1)

  /* Field "matrices" */
  {
    {12.0, 13.9, 7.4,
     0.5, 11.8, 6.4,
     4.7, 5.3, 13.0,
     0.7, 16.1, 13.5,
     1.6, 0.5, 3.1},

    {8.3, 12.0, 11.5, 2.0, 5.7,
     7.5, 12.8, 11.1, 8.4, 9.9,
     10.9, 4.6, 2.7, 16.3, 3.8},

    {0.0, 0.0, 0.0,
     0.0, 0.0, 0.0,
     0.0, 0.0, 0.0}
  }
  /* End of "matrices" */
```

The input matrix has five rows and three columns. The matrix parameter has three rows and five columns. The matrix output has three rows and three columns. The file defines macros that indicate these dimensions.

```
rtwdemodbtype('getsetSrc.c',...
  /* Matrix dimensions */,'/* End of matrix dimensions */',1,1)

  /* Matrix dimensions */

#define MATRIXINPUT_NROWS 5
#define MATRIXINPUT_NCOLS 3

#define MATRIXPARAM_NROWS 3
#define MATRIXPARAM_NCOLS 5

#define MATRIXOUTPUT_NROWS MATRIXPARAM_NROWS
#define MATRIXOUTPUT_NCOLS MATRIXINPUT_NCOLS
```

The file also defines functions that read from and write to the fields of the substructure matrices.

```
rtwdemodbtype('getsetSrc.c',...
    /* Matrix get() and set() functions */,'/* End of matrix functions */',1,1)

/* Matrix get() and set() functions */

double get_matrixInput(int colIndex)
{
    int rowIndexGetInput = MATRIXINPUT_NCOLS * (colIndex % MATRIXINPUT_NROWS) + colIndex;
    return ex_getset_data.matrices.matrixInput[rowIndexGetInput];
}

void set_matrixInput(int colIndex, double value)
{
    int rowIndexSetInput = MATRIXINPUT_NCOLS * (colIndex % MATRIXINPUT_NROWS) + colIndex;
    ex_getset_data.matrices.matrixInput[rowIndexSetInput] = value;
}

double get_matrixParam(int colIndex)
{
    int rowIndexGetParam = MATRIXPARAM_NCOLS * (colIndex % MATRIXPARAM_NROWS) + colIndex;
    return ex_getset_data.matrices.matrixParam[rowIndexGetParam];
}

void set_matrixParam(int colIndex, double value)
{
    int rowIndexSetParam = MATRIXPARAM_NCOLS * (colIndex % MATRIXPARAM_NROWS) + colIndex;
    ex_getset_data.matrices.matrixParam[rowIndexSetParam] = value;
}

double get_matrixOutput(int colIndex)
{
    int rowIndexGetOut = MATRIXOUTPUT_NCOLS * (colIndex % MATRIXOUTPUT_NROWS) + colIndex;
    return ex_getset_data.matrices.matrixOutput[rowIndexGetOut];
}

void set_matrixOutput(int colIndex, double value)
{
    int rowIndexSetOut = MATRIXOUTPUT_NCOLS * (colIndex % MATRIXOUTPUT_NROWS) + colIndex;
    ex_getset_data.matrices.matrixOutput[rowIndexSetOut] = value;
}
```



```
}

```

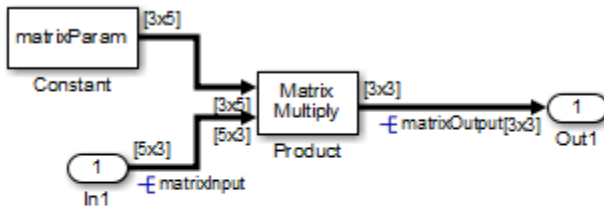
The code that you generate from a model represents matrices as serial arrays. Therefore, each of the `get` and `set` functions accept a single scalar index argument.

The generated code uses column-major format to store and to access matrix data. However, many C applications use row-major indexing. To integrate the generated code with the example legacy code, which stores the matrices `matrixInput` and `matrixParam` using row-major format, the custom `get` functions use the column-major index input to calculate an equivalent row-major index. The generated code algorithm, which interprets matrix data using column-major format by default, performs the correct matrix math because the `get` functions effectively convert the legacy matrices to column-major format. The `set` function for the output, `matrixOutput`, also calculates a row-major index so the code writes the algorithm output to `matrixOutput` using row-major format. Alternatively, to integrate the column-major generated code with your row-major legacy code, you can manually convert the legacy code to column-major format by transposing your matrix data and algorithms.

View the example legacy header file `getsetHdrMatrix.h`. The file contains the `extern` prototypes for the `get` and `set` functions defined in `getsetSrc.c`.

Open the example model `rtwdemo_getset_matrix`. The model creates the data objects `matrixInput`, `matrixParam`, and `matrixOutput` in the base workspace. The objects correspond to the signals and parameter in the model.

```
load_system('rtwdemo_getset_matrix')
set_param('rtwdemo_getset_matrix','SimulationCommand','Update')
open_system('rtwdemo_getset_matrix')
```



In the base workspace, double-click the object `matrixInput` to view its properties. The object uses the custom storage class `GetSet`. The property `HeaderFile` is specified as `getsetHdrMatrix.h`. This legacy header file contains the `get` and `set` function prototypes.

In the model Configuration Parameters dialog box, on the **Code Generation > Custom Code** pane, the example legacy source file `getsetSrc.c` is identified for inclusion during the build process. This legacy source file contains the `get` and `set` function definitions and the definition of the global structure variable `ex_getset_data`.

Generate code with the example model.

```
rtwbuild('rtwdemo_getset_matrix');

### Starting build procedure for model: rtwdemo_getset_matrix
### Successful completion of build procedure for model: rtwdemo_getset_matrix
```

In the code generation report, view the file `rtwdemo_getset_matrix.c`. The model step function uses the legacy `get` and `set` functions to execute the algorithm.

```
rtwdemodbtype(fullfile('rtwdemo_getset_matrix_ert_rtw',...
    'rtwdemo_getset_matrix.c'),'/* Model step function */','}',1,1)

/* Model step function */
void rtwdemo_getset_matrix_step(void)
{
    int32_T i;
    int32_T i_0;
    int32_T i_1;

    /* Product: '<Root>/Product' incorporates:
     * Constant: '<Root>/Constant'
     * Inport: '<Root>/In1'
     */
    for (i = 0; i < 3; i++) {
        for (i_0 = 0; i_0 < 3; i_0++) {
            set_matrixOutput( i + 3 * i_0 , 0.0);
            for (i_1 = 0; i_1 < 5; i_1++) {
                set_matrixOutput( i + 3 * i_0 , get_matrixParam( 3 * i_1 + i ) *
                    get_matrixInput( 5 * i_0 + i_1 ) + get_matrixOutput( 3 *
                    i_0 + i ));
            }
        }
    }
}
```

```
}
```

## Specify Header File or Function Naming Scheme for All Data Items

By default, you specify a header file name, `get` function name, and `set` function name for each data item, such as a signal or parameter, that uses the custom storage class `GetSet`.

To configure a single header file, `get` function naming scheme, or `set` function naming scheme to use for every data item, you can use the Custom Storage Class Designer to create your own copy of `GetSet`. You can specify the header file or function names in a single location.

Follow these steps to create your own custom storage class by creating your own data class package, creating a copy of `GetSet`, and applying the new custom storage class to data items in your model.

- 1 Create your own data class package, `myPackage`, by copying the example package folder `+SimulinkDemos` and renaming the copied folder as `+myPackage`. Modify the `Parameter` and `Signal` class definitions so that they use the custom storage class definitions from `myPackage`. For an example, see “Create Data Class Package” on page 10-48.
- 2 Set your current folder to the folder that contains the package folder. Alternatively, add the folder to your MATLAB path.
- 3 Open the Custom Storage Class Designer.  

```
cscdesigner('myPackage')
```
- 4 Select the custom storage class `GetSet`. Click **Copy** to create a copy called `GetSet_1`.
- 5 Select the new custom storage class `GetSet_1`. In the **General** tab, set **Name** to `myGetSet`.
- 6 Set the drop-down list **Header file** to `Specify`. In the new text box, set **Header file** to `myFcnHdr.h`. Click **Apply**.
- 7 On the **Access Function Attributes** tab, set the drop-down lists **Get function** and **Set function** to `Specify`.
- 8 In the new boxes, set **Get function** to `myGetFcn_$$N` and **Set function** to `mySetFcn_$$N`. Click **OK**. Click **Yes** in response to the message about saving changes.

When you generate code, the token \$N expands into the name of the data item that uses this custom storage class.

- 9 Apply the custom storage class `myGetSet` from your package to a data item. For example, create a `myPackage.Parameter` object in the base workspace.

```
myParam = myPackage.Parameter(15.23);  
myParam.StorageClass = 'Custom';  
myParam.CoderInfo.CustomStorageClass = 'myGetSet';
```

- 10 Use the object to set a parameter value in your model. When you generate code, the code algorithm accesses the parameter through the functions that you specified. The code uses a `#include` directive to include the header file that you specified.

## GetSet Custom Storage Class Restrictions

- `GetSet` does not support complex signals.
- Multiple data in the same model cannot use the same `GetFunction` or `SetFunction`.
- Some blocks do not directly support `GetSet`.
- Custom S-functions do not directly support `GetSet`.

To use `GetSet` with an unsupported block or a custom S-function:

- 1 Insert a `Signal Conversion` block at the output of the block or function.
- 2 In the `Signal Conversion` block dialog box, select **Exclude this block from 'Block reduction' optimization**.
- 3 Assign the custom storage class `GetSet` to the output of the `Signal Conversion` block.

## Related Examples

- “Control Data Code by Creating Custom Storage Class” on page 10-48
- “Control Data Representation by Applying Custom Storage Classes” on page 10-35
- “Generate Code with Custom Storage Classes” on page 10-43
- “Design Custom Storage Classes and Memory Sections” on page 10-9
- “Introduction to Custom Storage Classes” on page 10-2
- “Define Advanced Custom Storage Classes Types” on page 10-53

# Data Object Wizard

---

## Create Data Objects for Code Generation with Data Object Wizard

<b>In this section...</b>
“Create and Configure Data Objects for Code Generation” on page 11-2
“Create Data Objects Using Data Object Wizard” on page 11-6

To specify code generation options for signal lines, block parameters, and states in a model, you can use data objects that you store in a workspace or data dictionary. For basic information about data objects, see “Data Objects”.

You can use the Data Object Wizard to create data objects for:

- New or existing models that do not use data objects.
- Existing models to which you have added signal lines or blocks.

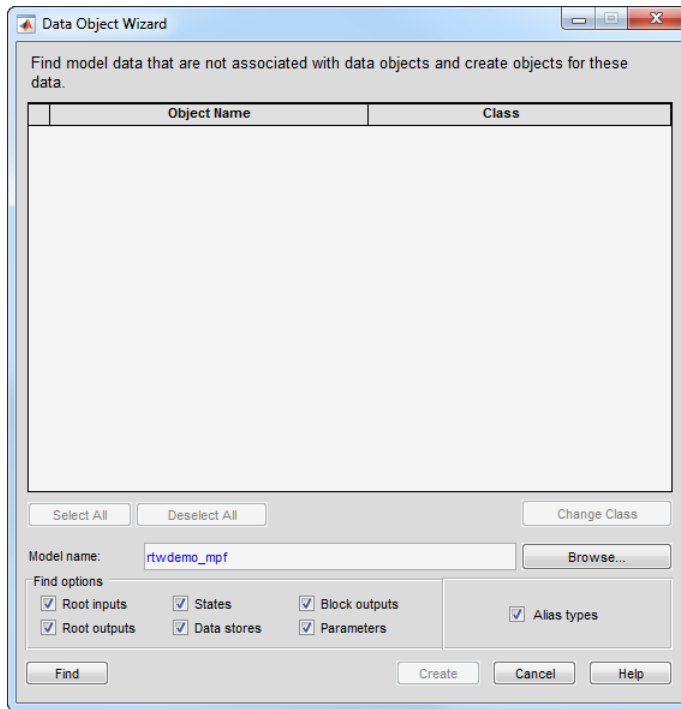
You can then use the data objects to control the code generated for the corresponding signals, parameters, and states.

### Create and Configure Data Objects for Code Generation

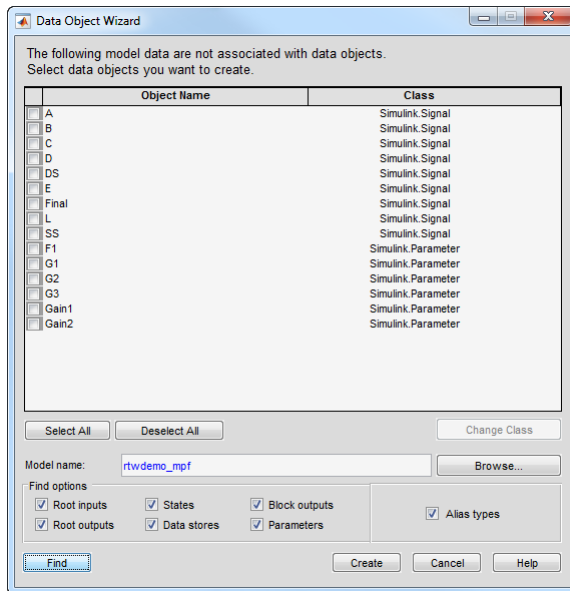
This example shows how to use the Data Object Wizard to create and configure data objects for code generation from the built-in package `Simulink`.

#### Create Data Objects

- 1 Open the example model `rtwdemo_mpf`.
- 2 In the Simulink Editor, select **Code > Data Objects > Data Object Wizard**.



- 3 In the Data Object Wizard, click **Find**. The data object table displays proposed data objects.



The Data Object Wizard finds only signals, parameters, data stores, and states whose storage class is set to `Auto`. For example, if you use the Signal Properties dialog box to specify a storage class other than `Auto` for a signal line, the Data Object Wizard does not propose a data object.

- 4 Click **Select All**.
- 5 Click **Create**. The data objects appear in the base workspace.

For detailed information about the options that you can choose in the Data Object Wizard, see “Create Data Objects for a Model Using Data Object Wizard”.

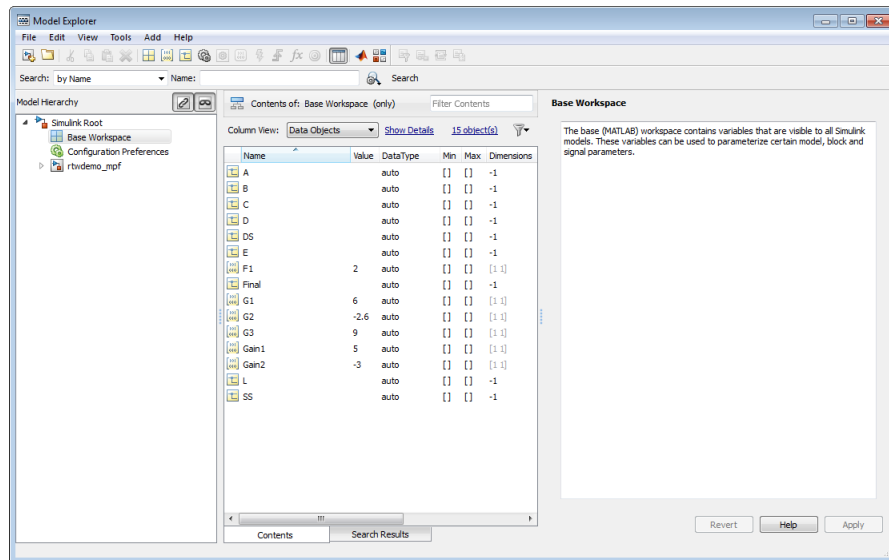
### Set Storage Class for Data Objects

Storage classes determine how the generated code uses variables to represent signals, parameters, and states. For data objects from the built-in package `Simulink`, the default storage class is `Auto`.

To specify storage classes for the new data objects, you can use Model Explorer.

- 1 Open Model Explorer.
- 2 In the **Model Hierarchy** pane, select **Base Workspace**.





- 3 In the **Contents** pane, from the drop-down list **Column View**, select **Storage Class**.
- 4 Select all of the new data objects. For example, select the object A, hold **Shift**, and select the object SS.
- 5 Set the property **StorageClass** for all of the data objects to **ExportToFile**. To change the storage class for all of the selected objects, in the column **StorageClass**, click any of the objects. In the drop-down list, select **ExportToFile**. The change that you make propagates to all of the selected objects.
- 6 Specify the **HeaderFile** property for all of the objects as `myExportedHdrFile.h`.

### Generate and Inspect Code

- 1 Generate code with the example model.
- 2 In the code generation report, view the generated file `myExportedHdrFile.h`. The file contains `extern` declarations for global variables that correspond to the data objects.

```
/* Exported data declaration */
/* Declaration for custom storage class: ExportToFile */
extern real_T A;
```

```
extern real_T B;  
extern real_T C;  
extern real_T D;  
extern real_T DS;  
extern real_T E;  
extern real_T F1;  
extern real_T Final;  
extern real_T G1;  
extern real_T G2;  
extern real_T G3;  
extern real_T Gain1;  
extern real_T Gain2;  
extern real_T L;  
extern real_T SS;
```

- 3 View the file `rtwdemo_mpf.c`. The file contains the definitions for the global variables. The code assigns numeric values to the variables that correspond to parameter objects.

```
/* Exported data definition */  
/* Definition for custom storage class: ExportToFile */  
real_T A;  
real_T B;  
real_T C;  
real_T D;  
real_T DS;  
real_T E;  
real_T F1 = 2.0;  
real_T Final;  
real_T G1 = 6.0;  
real_T G2 = -2.6;  
real_T G3 = 9.0;  
real_T Gain1 = 5.0;  
real_T Gain2 = -3.0;  
real_T L;  
real_T SS;
```

## Create Data Objects Using Data Object Wizard

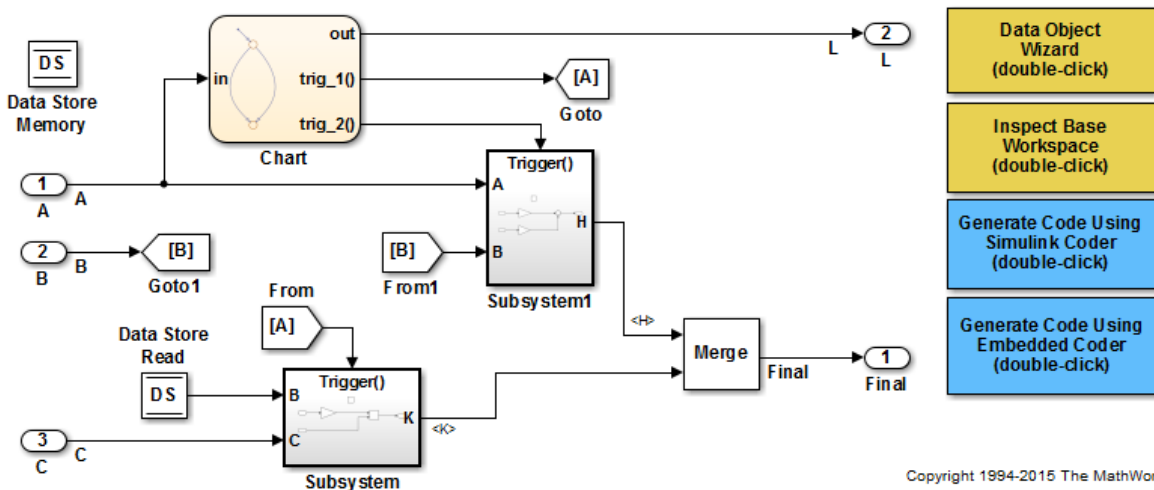
Many organizations need a fully specified set of data that is model-independent. The above model shows how the Data Object Wizard can be used to automate the creation of data from a model. The Data Object Wizard analyzes a model and detects the signals, parameters, states, and data stores that support Simulink data objects. Once the analysis is complete, a list of permissible Simulink data objects is presented. You then

select the objects of interest and the Data Object Wizard creates the corresponding Simulink data objects.

### Open Example Model

Open the example model `rtwdemo_dow`.

```
open_system('rtwdemo_dow')
```



### Instructions

- 1 Double-click the yellow Data Object Wizard button in the upper right of the diagram.
- 2 Click the Find button to get a list of all signals and parameters that support Simulink Data Objects.
- 3 Click the Check All button to select all objects.
- 4 Click the Create button to create the corresponding Simulink data objects.
- 5 Double-click the yellow Inspect Base Workspace button in the upper right to inspect the data objects.
- 6 Change the storage class of the data objects to `ExportedGlobal` (batch edit from the spreadsheet view).
- 7 Generate and inspect the code using the blue buttons in the upper right of the diagram.

## Notes

- Signals H and K are not presented in the Data Object Wizard because the inputs to the Merge block do not support Simulink data objects. Only the output of a Merge block supports data objects.
- Goto and From blocks are supported, as shown by signal B.
- If a MATLAB variable already exists in the base workspace, the Data Object Wizard transfers its value to the `Value` property of the corresponding Simulink parameter object.

## See Also

Data Object Wizard | `Simulink.Parameter` | `Simulink.Signal`

## Related Examples

- “Data Objects”
- “Control Signals and States in Code by Applying Storage Classes”
- “Control Parameter Representation and Declare Tunable Parameters in the Generated Code”
- “Control Data Representation by Applying Custom Storage Classes” on page 10-35

# Function and Class Interfaces

---

- “Control Generation of Function Prototypes” on page 12-2
- “Control Generation of C++ Class Interfaces” on page 12-23
- “Combine I/O Arguments in Model Step Interface” on page 12-53
- “Generate Modular Function Code” on page 12-56

## Control Generation of Function Prototypes

### In this section...

“About Function Prototype Control” on page 12-2

“Configure Function Prototypes Using Graphical Interfaces” on page 12-3

“Sample Procedure for Configuring Function Prototypes” on page 12-11

“Configure Function Prototypes Programmatically” on page 12-16

“Sample Script for Configuring Function Prototypes” on page 12-20

“Verify Generated Code for Customized Functions” on page 12-21

“Function Prototype Control Limitations” on page 12-21

### About Function Prototype Control

The Embedded Coder software provides a **Configure Model Functions** button, located on the **Code Generation > Interface** pane of the Configuration Parameters dialog box, that allows you to control the model function prototypes that are generated for ERT-based Simulink models.

By default, the function prototype of an ERT-based model's generated *model\_step* function resembles the following:

```
void model_step(void);
```

The function prototype of an ERT-based model's generated *model\_initialize* function resembles the following:

```
void model_initialize(void);
```

(For more detailed information about the default calling interface for the *model\_step* function, see the *model\_step* reference page.)

The **Configure Model Functions** button on the **Interface** pane provides you flexible control over the model function prototypes that are generated for your model. Clicking **Configure Model Functions** launches a Model Interface dialog box (see “Configure Function Prototypes Using Graphical Interfaces” on page 12-3). Based on the **Function specification** value you specify for your model function (supported values include `Default model initialize` and `step` functions and `Model specific C` prototypes), you can preview and modify the function prototypes. Once you validate

and apply your changes, you can generate code based on your function prototype modifications.

For more information about using the **Configure Model Functions** button and the Model Interface dialog box, see “Sample Procedure for Configuring Function Prototypes” on page 12-11 and the model `rtwdemo_fcnprotoctrl`, which is preconfigured to demonstrate function prototype control.

Alternatively, you can use function prototype control functions to programmatically control model function prototypes. For more information, see “Configure Function Prototypes Programmatically” on page 12-16.

You can also control model function prototypes for nonvirtual subsystems, if you generate subsystem code using right-click build. To launch the **Model Interface for subsystem** dialog box, use the `RTW.configSubsystemBuild` function.

Right-click building the subsystem generates the step and initialization functions according to the customizations you make. For more information, see “Configure Function Prototypes for Nonvirtual Subsystems” on page 12-9.

For limitations that apply, see “Function Prototype Control Limitations” on page 12-21.

## Configure Function Prototypes Using Graphical Interfaces

- “Launch the Model Interface Dialog Boxes” on page 12-3
- “Default Model Initialize and Step Functions View” on page 12-4
- “Model Specific C Prototypes View” on page 12-5
- “Configure Function Prototypes for Nonvirtual Subsystems” on page 12-9

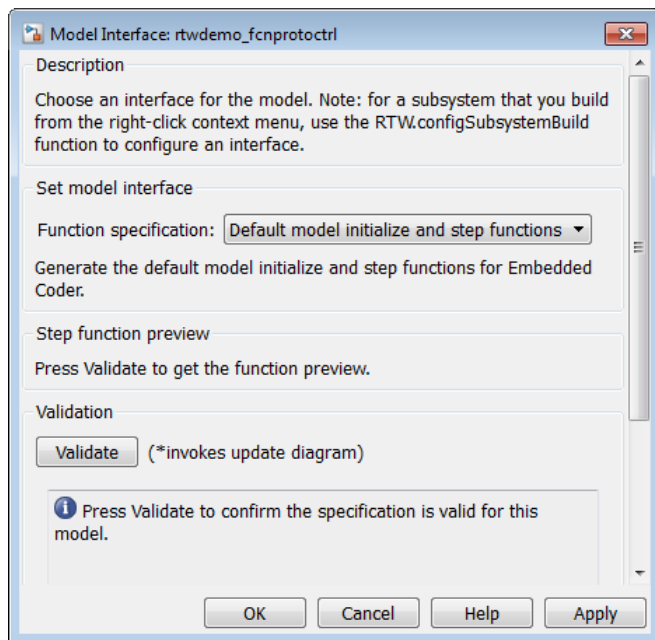
### Launch the Model Interface Dialog Boxes

Clicking the **Configure Model Functions** button on the **Interface** pane of the Configuration Parameters dialog box launches the Model Interface dialog box. This dialog box is the starting point for configuring the model function prototypes that are generated during code generation for ERT-based Simulink models. Based on the **Function specification** value you select for your model function (supported values include `Default model initialize and step functions` and `Model specific C prototypes`), you can preview and modify the function prototype. Once you validate and apply your changes, you can generate code based on your function prototype modifications.

To configure function prototypes for a right-click build of a nonvirtual subsystem, invoke the `RTW.configSubsystemBuild` function, which launches the Model Interface for subsystem dialog box. For more information, see “Configure Function Prototypes for Nonvirtual Subsystems” on page 12-9

### Default Model Initialize and Step Functions View

The figure below shows the Model Interface dialog box in the `Default model initialize and step functions` view.



The `Default model initialize and step functions` view allows you to validate and preview the predicted default model step and initialization function prototypes. To validate the default function prototype configuration against your model, click the **Validate** button. If the validation succeeds, the predicted step function prototype appears in the **Step function preview** subpane.

---

**Note:** You cannot use the `Default model initialize and step functions` view to modify the function prototype configuration.

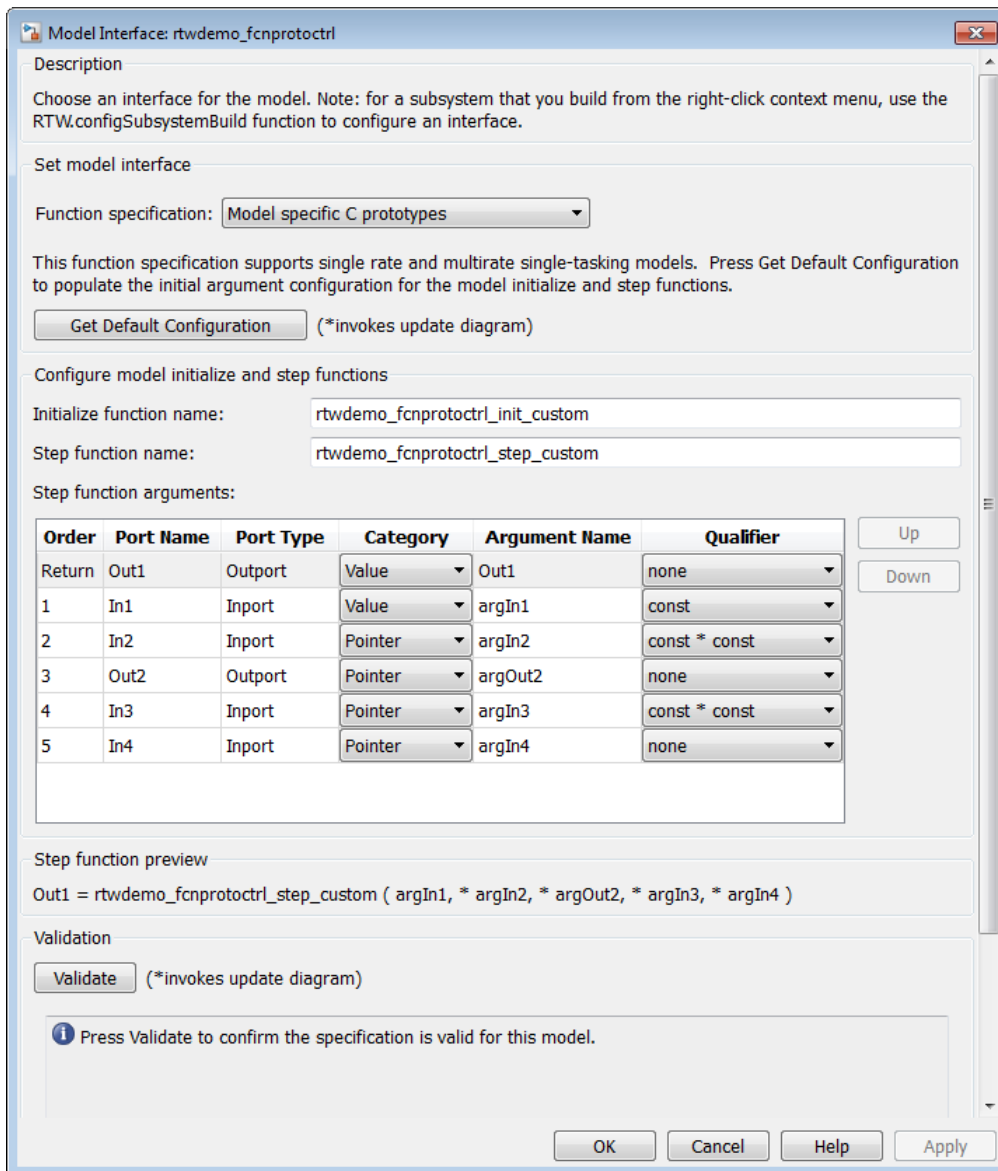
---



### **Model Specific C Prototypes View**

Selecting **Model specific C prototypes** for the **Function specification** parameter displays the **Model specific C prototypes** view of your model function prototypes. This view provides controls that you can use to customize the function names, the order of arguments, and argument attributes including name, passing mechanism, and type qualifier for each of the model's root-level I/O ports.

To begin configuring your function control prototype configuration, click the **Get Default Configuration** button. This activates and initializes the function names and properties in the **Configure model initialize and step functions** subpane, as shown below. If you click **Get Default Configuration** again later, only the properties of the step function arguments are reset to default values.



In the **Configure model initialize and step functions** subpane:

Parameter	Description
<b>Step function name</b>	Name of the <i>model_step</i> function.
<b>Initialize function name</b>	Name of the <i>model_initialize</i> function.  <b>Note:</b> A referenced model contains at least one initialization function. This parameter controls the name of the function that initializes states to nonzero values. A model generates this function only if it contains such states or requires the function for some other less common reason. The code generator determines the names of the other initialization functions.
<b>Order</b>	Order of the argument. A return argument is listed as <b>Return</b> .
<b>Port Name</b>	Name of the port.
<b>Port Type</b>	Type of the port.
<b>Category</b>	Specifies how an argument is passed in or out from the customized step function, either by copying a value ( <b>Value</b> ) or by a pointer to a memory space ( <b>Pointer</b> ).
<b>Argument Name</b>	Name of the argument.

Parameter	Description
<b>Qualifier</b> (optional)	<p>Specifies a <b>const</b> type qualifier for a function argument. The available values are dependent on the <b>Category</b> specified. When you change the <b>Category</b>, if the specified type is not available, the <b>Qualifier</b> changes to <b>none</b>. The possible values are:</p> <ul style="list-style-type: none"> <li>• <b>none</b></li> <li>• <b>const</b> (value)</li> <li>• <b>const*</b> (value referenced by the pointer)</li> <li>• <b>const*const</b> (value referenced by the pointer and the pointer itself)</li> </ul> <hr/> <p><b>Note:</b> When a model includes a referenced model, the <b>const</b> type qualifier for the root input argument of the referenced model's specified step function interface is set to <b>none</b>, and the qualifier for the source signal in the referenced model's parent is set to a value other than <b>none</b>, code generation honors the referenced model's interface specification by generating a type cast that discards the <b>const</b> type qualifier from the source signal. To override this behavior, add a <b>const</b> type qualifier to the referenced model.</p>

The **Step function preview** subpane provides a preview of how your step function prototype is interpreted in generated code. The preview is updated dynamically as you make modifications.

An argument **foo** whose **Category** is **Pointer** is previewed as **\* foo**. If its **Category** is **Value**, it is previewed as **foo**. Notice that argument types and qualifiers are not represented in the **Step function preview** subpane.

---

**Note:** The list of step function arguments has an entry for each of the model's root-level I/O ports. This list does not include model parameter arguments that can appear in the generated code when the model is used as a referenced model. For example, a model `sldemo_mdref_counter_paramargs` has an inport with argument name `arg_input`, an outport with argument name `arg_output`, and a saturation block whose

limits have workspace parameter argument names `lower_saturation_limit` and `upper_saturation_limit`.

The step function preview for this model is:

```
sldemo_mdhref_counter_paramargs_custom ( arg__input, * arg_output )
```

The function prototype in the generated code differs from the preview. The prototype in the generated code (with the additional model parameter arguments) is:

```
sldemo_mdhref_counter_paramargs_custom(  
    real_T arg__input,  
    real_T *arg_output,  
    real_T rtp_lower_saturation_limit,  
    real_T rtp_upper_saturation_limit)
```

---

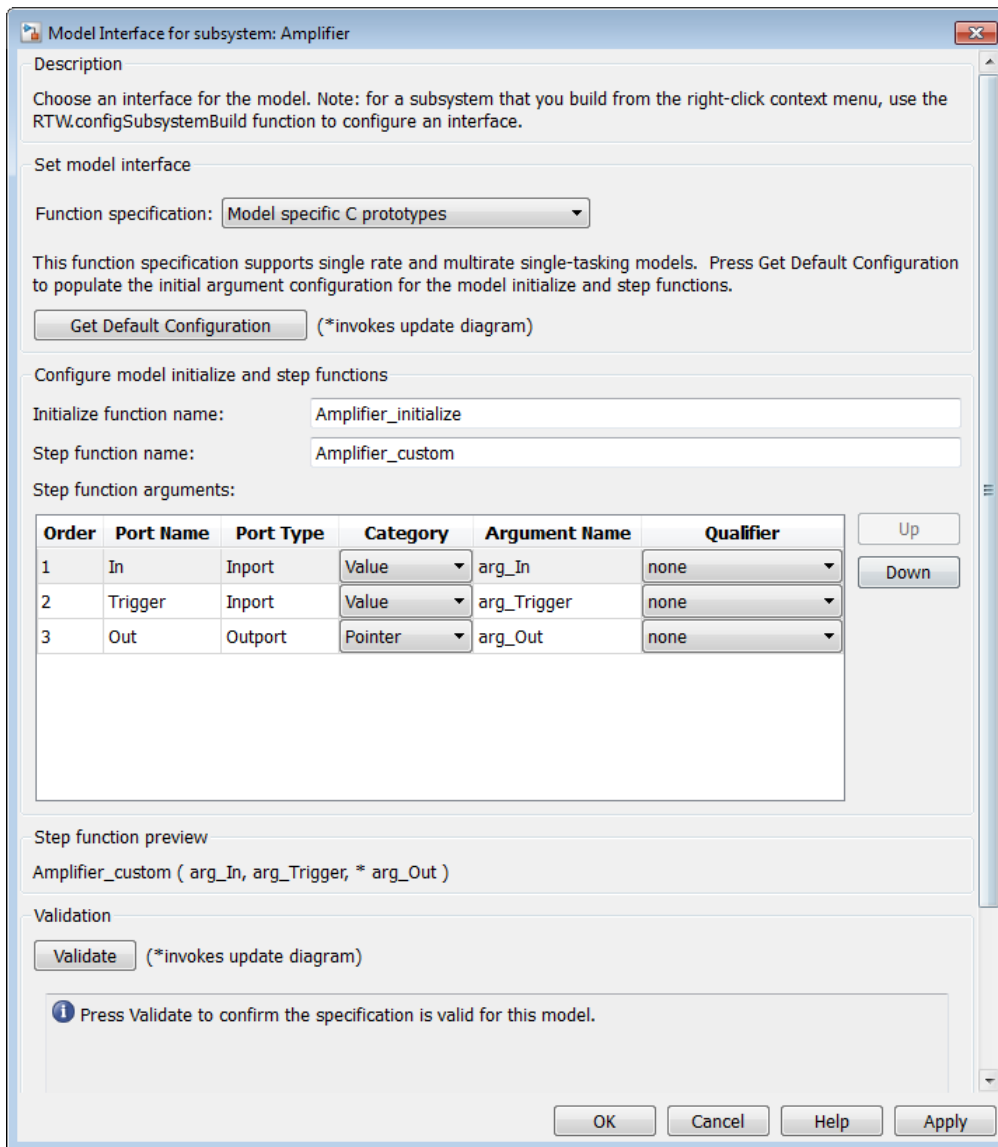
### Configure Function Prototypes for Nonvirtual Subsystems

You can control step and initialization function prototypes for nonvirtual subsystems in ERT-based Simulink models, if you generate subsystem code using right-click build. Function prototype control is supported for the following types of nonvirtual blocks:

- Triggered subsystems
- Enabled subsystems
- Enabled trigger subsystems
- While subsystems
- For subsystems
- Stateflow blocks
- MATLAB function block

To launch the Model Interface for Subsystem dialog box, open the model containing the subsystem and invoke the `RTW.configSubsystemBuild` function.

The Model Interface dialog box for modifying the model-specific C prototypes for the `rtwdemo_counter/Amplifier` subsystem appears as follows:



Right-click building the subsystem generates the step and initialization functions according to the customizations you make.

## Sample Procedure for Configuring Function Prototypes

The following procedure shows how to use the **Configure Model Functions** button on the **Code Generation > Interface** pane of the Configuration Parameters dialog box to control the model function prototypes when generating code for your Simulink model.

- 1 Open a MATLAB session and launch the `rtwdemo_counter` model.
- 2 In the `rtwdemo_counter` Model Editor, double-click the **Generate Code Using Embedded Coder (double-click)** button to generate code for an ERT-based version of `rtwdemo_counter`. The code generation report for `rtwdemo_counter` appears.
- 3 In the code generation report, click the link for `rtwdemo_counter.c`.
- 4 In the `rtwdemo_counter.c` code display, locate and examine the generated code for the `rtwdemo_counter_step` and the `rtwdemo_counter_initialize` functions:

```
/* Model step function */
void rtwdemo_counter_step(void)
{
    ...
}

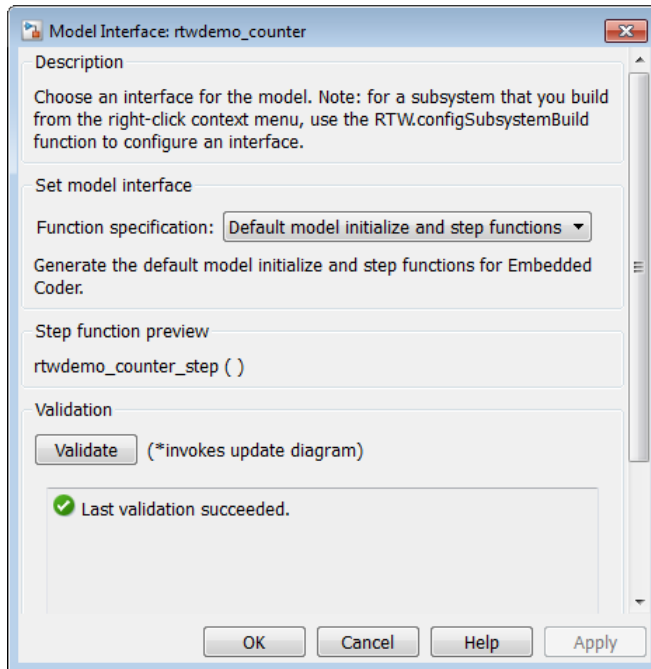
/* Model initialize function */
void rtwdemo_counter_initialize(void)
{
    ...
}
```

You can close the report window after you have examined the generated code. Optionally, you can save `rtwdemo_counter.c` and other generated files to a different location for later comparison.

- 5 From the `rtwdemo_counter` model, open the Configuration Parameters dialog box.
- 6 Navigate to the **Code Generation > Interface** pane and click the **Configure Model Functions** button. The Model Interface dialog box appears.
- 7 In the initial (Default model initialize and step functions) view of the Model Interface dialog box, click the **Validate** button to validate and preview the default function prototype for the `rtwdemo_counter_step` function. The function prototype arguments under **Step function preview** should correspond to the default prototype in step 4.

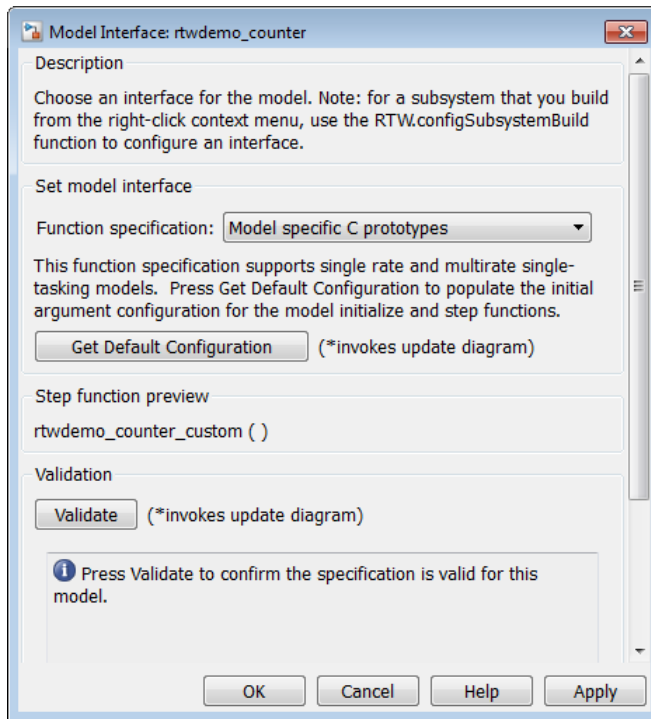
**Note:** Validation errors in this context prevent successful preview of the default function prototype. Resolve any validation errors to display the preview.

---

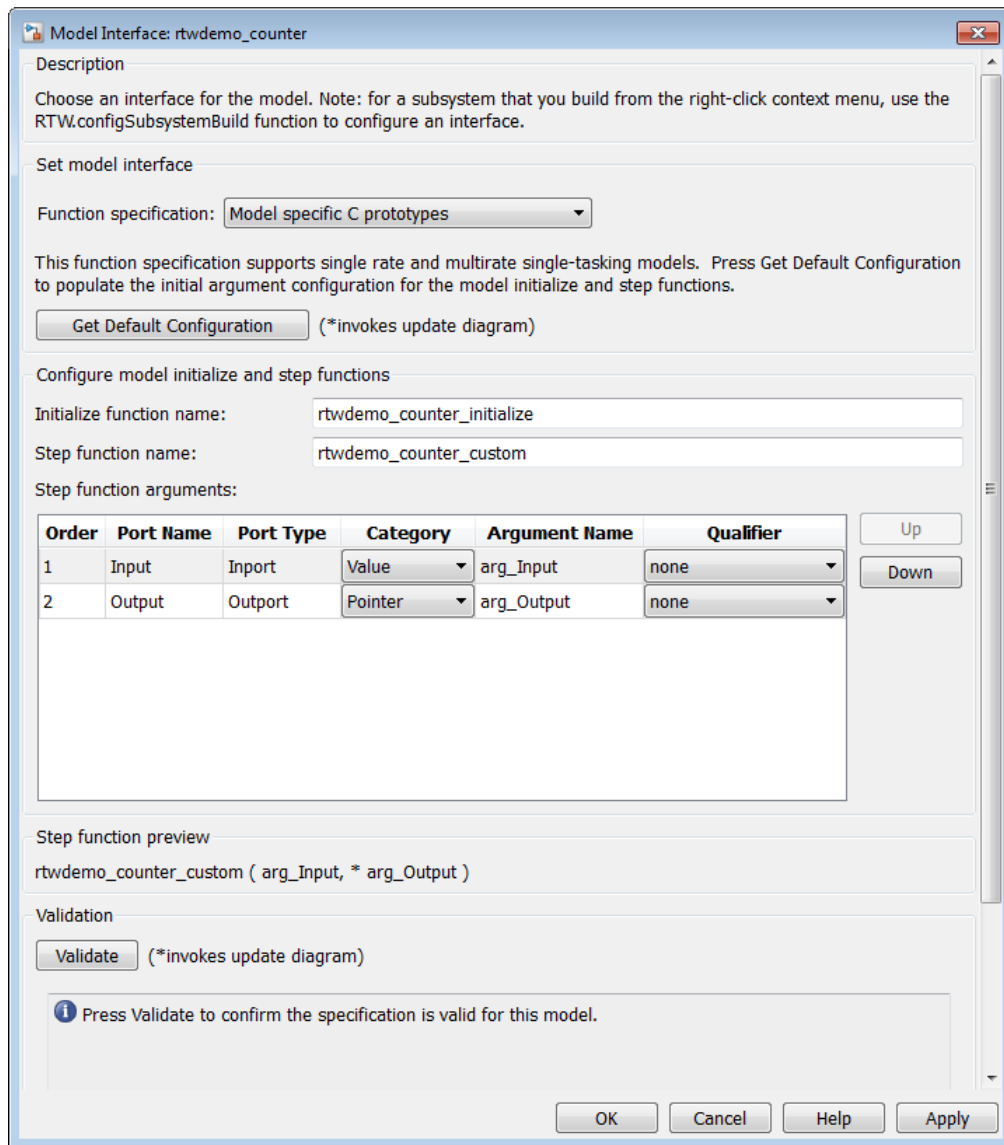


- 8 In the Model Interface dialog box, set **Function specification** field to **Model specific C prototypes**. Making this selection switches the dialog box from the **Default model initialize and step functions** view to the **Model specific C prototypes** view.



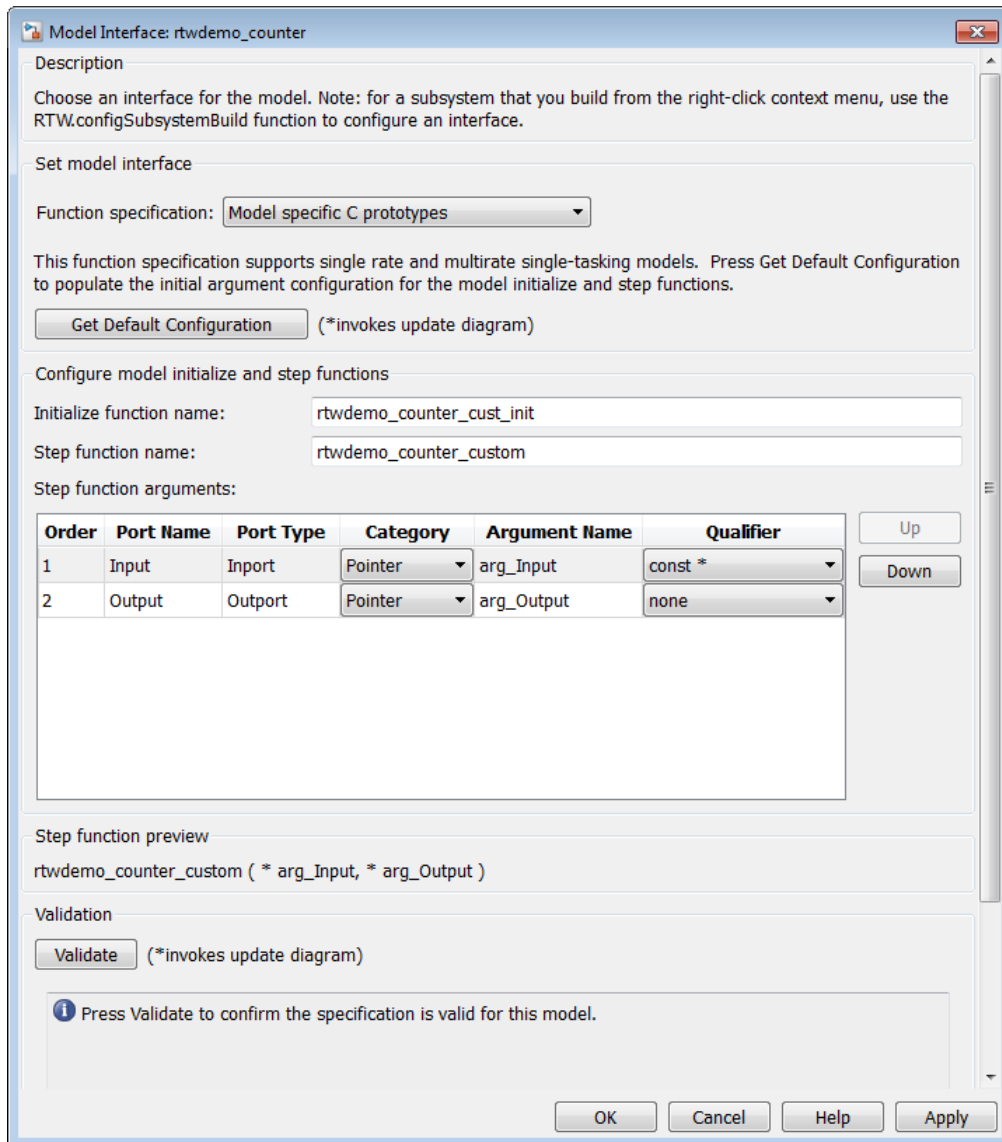


- 9 In the Model specific C prototypes view, click the **Get Default Configuration** button to activate the **Configure model initialize and step functions** subpane.



**10** In the **Configure model initialize and step functions** subpane, change **Initialize function name** to `rtwdemo_counter_cust_init`.

- 11 In the **Configure model initialize and step functions** subpane, in the row for the **Input** argument, change the value of **Category** from **Value** to **Pointer** and change the value of **Qualifier** from **none** to **const \***. The preview reflects your changes.



- 12 Click the **Validate** button to validate the modified function prototype. The **Validation** subpane displays a message that the validation succeeded.

---

**Note:** Validation errors in this context prevent successful code generation. Resolve any validation errors before proceeding. Or, if resolution is not possible, set the **Function specification** field to `Default model initialize and step functions` before proceeding.

---

- 13 Click **OK** to exit the Model Interface dialog box.
- 14 Generate code for the model. When the build completes, the code generation report for `rtwdemo_counter` appears.
- 15 In the code generation report, click the link for `rtwdemo_counter.c`.
- 16 Locate and examine the generated code for the `rtwdemo_counter_custom` and `rtwdemo_counter_cust_init` functions:

```
/* Model step function */
void rtwdemo_counter_custom(const int32_T *arg_Input, int32_T *arg_Output)
{
    ...
}

/* Model initialize function */
void rtwdemo_counter_cust_init(void)
{
    ...
}
```

- 17 Verify that the generated code is consistent with the function prototype modifications that you specified in the Model Interface dialog box.

## Configure Function Prototypes Programmatically

You can use the function prototype control functions (listed in Function Prototype Control Functions), to programmatically control model function prototypes. Typical uses of these functions include:

- **Create and validate a new function prototype**
  - 1 Create a model-specific C function prototype with `obj = RTW.ModelSpecificCPrototype`, where `obj` returns a handle to a newly created, empty function prototype.
  - 2 Add argument configuration information for your model ports using `RTW.ModelSpecificCPrototype.addArgConf`.

- 3 Attach the function prototype to your loaded ERT-based Simulink model using `RTW.ModelSpecificCPrototype.attachToModel`.
  - 4 Validate the function prototype using `RTW.ModelSpecificCPrototype.runValidation`.
  - 5 If validation succeeds, save your model and then generate code using the `rtwbuild` function.
- **Modify and validate an existing function prototype**
    - 1 Get the handle to an existing model-specific C function prototype that is attached to your loaded ERT-based Simulink model with `obj = RTW.getFunctionSpecification(modelName)`, where `modelName` is a string specifying the name of a loaded ERT-based Simulink model, and `obj` returns a handle to a function prototype attached to the specified model.

You can use other function prototype control functions on the returned handle only if the test `isa(obj, 'RTW.ModelSpecificCPrototype')` returns 1. If the model does not have a function prototype configuration, the function returns []. If the function returns a handle to an object of type `RTW.FcnDefault`, you cannot modify the existing function prototype.
    - 2 Use the **Get** and **Set** functions listed in Function Prototype Control Functions to test and reset such items as the function names, argument names, argument positions, argument categories, and argument type qualifiers.
    - 3 Validate the function prototype using `RTW.ModelSpecificCPrototype.runValidation`.
    - 4 If validation succeeds, save your model and then generate code using the `rtwbuild` function.
  - **Create and validate a new function prototype, starting with default configuration information from your Simulink model**
    - 1 Create a model-specific C function prototype using `obj = RTW.ModelSpecificCPrototype`, where `obj` returns a handle to a newly created, empty function prototype.
    - 2 Attach the function prototype to your loaded ERT-based Simulink model using `RTW.ModelSpecificCPrototype.attachToModel`.
    - 3 Get default configuration information from your model using `RTW.ModelSpecificCPrototype.getDefaultConf`.

- 4 Use the **Get** and **Set** functions listed in Function Prototype Control Functions to test and reset such items as the function names, argument names, argument positions, argument categories, and argument type qualifiers.
  - 5 Validate the function prototype using `RTW.ModelSpecificCPrototype.runValidation`.
  - 6 If validation succeeds, save your model and then generate code using the `rtwbuild` function.
- **Reset the model function prototype to the default ERT function configuration** Create an object of the ERT default function signature. Reset the model function prototype and undo any custom settings, by calling the `RTW.FcnDefault` method, `attachToModel`, as follows:

```
obj = RTW.FcnDefault;
obj.attachToModel(model);
model must be a loaded ERT-based model.
```

---

**Note:** You should not use the same model-specific C function prototype object across multiple models. If you do, changes that you make to the step and initialization function prototypes in one model are propagated to other models, which is usually not desirable.

---

### Function Prototype Control Functions

Function	Description
<code>RTW.ModelSpecificCPrototype.addArgConf</code>	Add step function argument configuration information for Simulink model port to model-specific C function prototype
<code>RTW.ModelSpecificCPrototype.attachToModel</code>	Attach model-specific C function prototype to loaded ERT-based Simulink model
<code>RTW.ModelSpecificCPrototype.getArgCategory</code>	Get step function argument category for Simulink model port from model-specific C function prototype
<code>RTW.ModelSpecificCPrototype.getArgName</code>	Get step function argument name for Simulink model port from model-specific C function prototype

Function	Description
RTW.ModelSpecificCPrototype.getArgPosition	Get step function argument position for Simulink model port from model-specific C function prototype
RTW.ModelSpecificCPrototype.getArgQualifier	Get step function argument type qualifier for Simulink model port from model-specific C function prototype
RTW.ModelSpecificCPrototype.getDefaultConf	Get default configuration information for model-specific C function prototype from Simulink model to which it is attached
RTW.ModelSpecificCPrototype.getFunctionName	Get function names from model-specific C function prototype
RTW.ModelSpecificCPrototype.getNumArgs	Get number of step function arguments from model-specific C function prototype
RTW.ModelSpecificCPrototype.getPreview	Get model-specific C function prototype code previews
RTW.configSubsystemBuild	Launch GUI to configure C function prototype or C++ class interface for right-click build of specified subsystem
RTW.getFunctionSpecification	Get handle to model-specific C function prototype object
RTW.ModelSpecificCPrototype.runValidation	Validate model-specific C function prototype against Simulink model to which it is attached
RTW.ModelSpecificCPrototype.setArgCategory	Set step function argument category for Simulink model port in model-specific C function prototype
RTW.ModelSpecificCPrototype.setArgName	Set step function argument name for Simulink model port in model-specific C function prototype
RTW.ModelSpecificCPrototype.setArgPosition	Set step function argument position for Simulink model port in model-specific C function prototype

Function	Description
RTW.ModelSpecificCPrototype.setArgQualifier	Set step function argument type qualifier for Simulink model port in model-specific C function prototype
RTW.ModelSpecificCPrototype.setFunctionName	Set function names in model-specific C function prototype

## Sample Script for Configuring Function Prototypes

The following sample MATLAB script configures the model function prototypes for the `rtwdemo_counter` model, using the Function Prototype Control Functions.

```

%% Open the rtwdemo_counter model
rtwdemo_counter

%% Select ert.tlc as the System Target File for the model
set_param(gcs,'SystemTargetFile','ert.tlc')

%% Create a model-specific C function prototype
a=RTW.ModelSpecificCPrototype

%% Add argument configuration information for Input and Output ports
addArgConf(a,'Input','Pointer','inputArg','const *')
addArgConf(a,'Output','Pointer','outputArg','none')

%% Attach the model-specific C function prototype to the model
attachToModel(a,gcs)

%% Rename the initialization function
setFunctionName(a,'InitFunction','init')

%% Rename the step function and change some argument attributes
setFunctionName(a,'StepFunction','step')
setArgPosition(a,'Output',1)
setArgCategory(a,'Input','Value')
setArgName(a,'Input','InputArg')
setArgQualifier(a,'Input','none')

%% Validate the function prototype against the model
[status,message]=runValidation(a)

%% if validation succeeded, generate code and build
if status
    rtwbuild(gcs)
end

```



## Verify Generated Code for Customized Functions

You can use software-in-the-loop (SIL) testing to verify the generated code for your customized step and initialization functions. This involves creating a SIL block with your generated code, which then can be integrated into a Simulink model to verify that the generated code provides the same result as the original model or nonvirtual subsystem. For more information, see “Choose a SIL or PIL Approach” on page 36-8.

## Function Prototype Control Limitations

The following limitations apply to controlling model function prototypes:

- Function prototype control supports only step and initialization functions generated from a Simulink model.
- Function prototype control supports only single-instance implementations. For standalone targets, you must set **Code interface packaging** to **Nonreusable function** (on the **Code Generation > Interface** pane of the Configuration Parameters dialog box). For model reference targets, you must select **One** for the **Total number of instances allowed per top model** parameter (on the **Model Referencing** pane of the Configuration Parameters dialog box).
- For model reference targets, if **Code interface packaging** is set to **Reusable function**, the code generator ignores the setting.
- You must select the **Single output/update function** parameter (on the **All Parameters** tab of the Configuration Parameters dialog box).
- Function prototype control does not support multitasking models. Multirate models are supported, but you must configure the models for single-tasking.
- You must configure root-level inports and outports to use **Auto** storage classes.
- Do not control function prototypes with the static `ert_main.c` provided by MathWorks. Specifying a function prototype control configuration other than the default creates a mismatch between the generated code and the default static `ert_main.c`.
- The code generator removes the data structure for the root inports of the model unless a subsystem implemented by a nonreusable function uses the value of one or more of the inports.
- The code generator removes the data structure for the root outports of the model except when you enable MAT-file logging, or if the sample time of one or more of the outports is not the fundamental base rate (including a constant rate).

- If you copy a subsystem block and paste it to create a new block in either a new model or the same model, the function prototype control interface information from the original subsystem block does not copy to the new subsystem block.
- If you have a Stateflow license, for a Stateflow chart that uses a model root inport value, or that calls a subsystem that uses a model root inport value, you must do one of the following to generate code:
  - Clear the **Execute (enter) Chart At Initialization** check box in the Stateflow chart.
  - Make the Stateflow function a nonreusable function.
  - Insert a Simulink **Signal Conversion** block immediately after the root inport. In the **Signal Conversion** block parameters dialog box, select **Exclude this block from 'Block reduction' optimization**.
- If a model root inport value connects to a Simscape conversion block, you must insert a Simulink **Signal Conversion** block between the root inport and the Simscape conversion block. In the **Signal Conversion** block parameters dialog box, select **Exclude this block from 'Block reduction' optimization**.
- When building a referenced model that is configured for function prototype control, do not use virtual buses as inputs or outputs to the referenced model. When bus signals cross referenced model boundaries, use nonvirtual buses.
- If the C function prototype control is not the default, the value is ignored for the **Configuration Parameters > Model Referencing > Pass fixed-size scalar root inputs by value for code generation** parameter. For more information, see “Pass fixed-size scalar root inputs by value for code generation”.

### Related Examples

- “Combine I/O Arguments in Model Step Interface” on page 12-53

## Control Generation of C++ Class Interfaces

Using the **Code interface packaging** option `C++ class`, on the **Code Generation** > **Interface** pane of the Configuration Parameters dialog box, you can generate a C++ class interface to model code. The generated interface encapsulates required model data into C++ class attributes and model entry point functions into C++ class methods. The benefits of C++ class encapsulation include:

- Greater control over access to model data
- Ability to multiply instantiate model classes
- Easier integration of model code into C++ programming environments

C++ class encapsulation also works for right-click builds of nonvirtual subsystems. (For information on requirements that apply, see “Configure C++ Class Interfaces for Nonvirtual Subsystems” on page 12-44.)

The general procedure for generating C++ class interfaces to model code is as follows:

- 1 Configure your model to use an `ert.tlc` system target file provided by MathWorks.
- 2 Select the C++ language for your model.
- 3 Select `C++ class` code interface packaging for your model.
- 4 Optionally, configure related C++ class interface settings for your model code, using either a graphical user interface (GUI) or application programming interface (API).
- 5 Generate model code and examine the results.

To get started with an example, see “Simple Use of C++ Class Control” on page 12-24. For more details about configuring C++ class interfaces for your model code, see “Customize C++ Class Interfaces Using Graphical Interfaces” on page 12-30 and “Customize C++ Class Interfaces Programmatically” on page 12-45. For limitations that apply, see “C++ Class Interface Control Limitations” on page 12-50.

---

**Note:** For an example of C++ class code generation, see the example model `rtwdemo_cppclass`.

---

### In this section...

“Simple Use of C++ Class Control” on page 12-24

“Customize C++ Class Interfaces Using Graphical Interfaces” on page 12-30

**In this section...**

“Customize C++ Class Interfaces Programmatically” on page 12-45

“Configure Step Method for Model Class” on page 12-47

“Specify Custom Storage Class for C++ Class Code Generation” on page 12-48

“Model Class Copy Constructor and Assignment Operator” on page 12-49

“C++ Class Interface Control Limitations” on page 12-50

## Simple Use of C++ Class Control

This example illustrates a simple use of C++ `class` code interface packaging. It generates C++ class code interfaces from an example model, without extensive modifications to default settings.

---

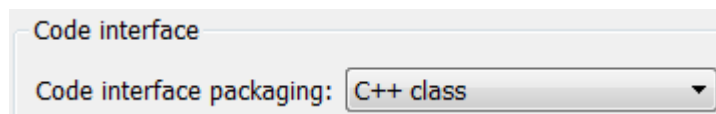
**Note:** For details about setting C++ class parameters, see the sections that follow this example, beginning with “Customize C++ Class Interfaces Using Graphical Interfaces” on page 12-30.

---

To generate C++ class interfaces for a Simulink model:

- 1 Open a model for which you would like to generate C++ class code interfaces. This example uses the model `rtwdemo_counter`.
- 2 Configure the model to use an `ert.tlc` system target file provided by MathWorks. For example, open the Configuration Parameters dialog box, go to the **Code Generation** pane, select a target value from the **System target file** menu, and click **Apply**.
- 3 On the **Code Generation** pane of the Configuration Parameters dialog box, set the **Language** parameter to C++.

On the **Code Generation > Interface** pane, check that the **Code interface packaging** parameter is set to C++ `class`.



Click **Apply**.

**Note:** To immediately generate the default style of C++ class code, without exploring the related model configuration options, skip steps 4–8 and go directly to step 9.

- 4 Go to the **Interface** pane of the Configuration Parameters dialog box and examine the **Code interface** subpane.

Code interface

Code interface packaging: **C++ class** Multi-instance code error diagnostic: **Error**

Suppress error status in real-time model data structure

Data Member Visibility/Access Control

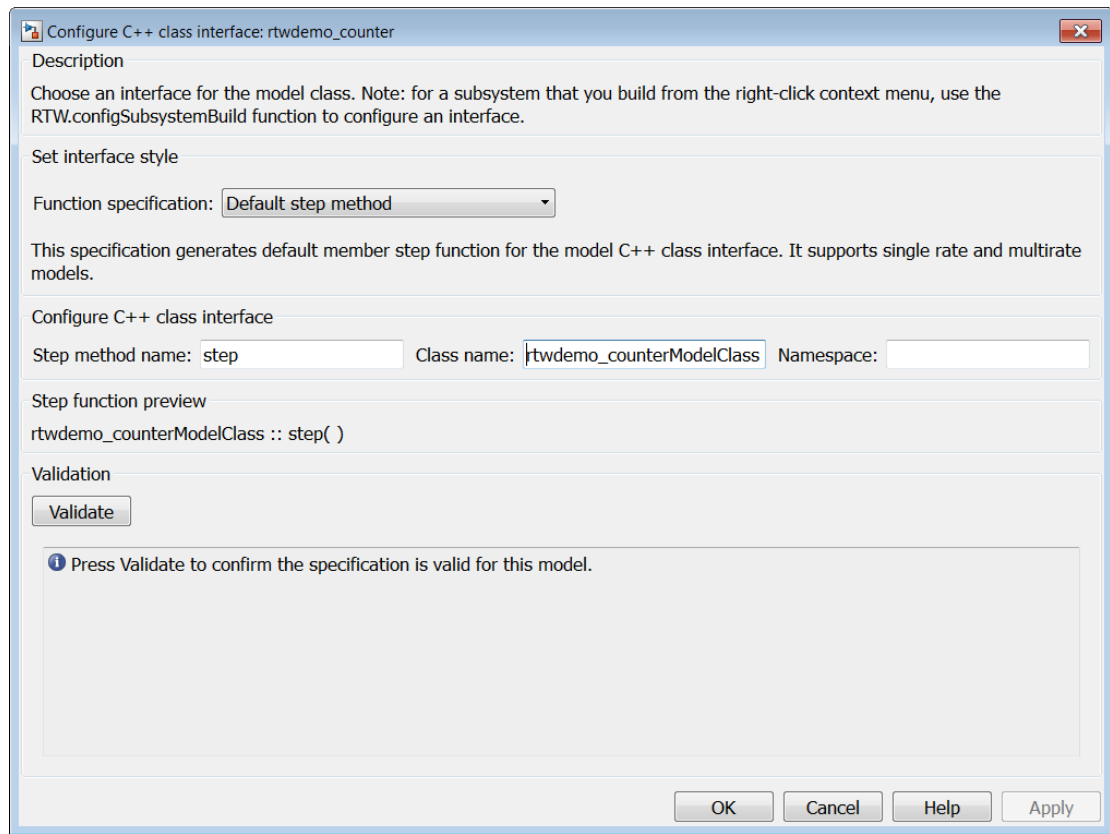
Parameter visibility **private** Parameter access **None**

External I/O access **None**

**Configure C++ Class Interface**

When you select **C++ class** code interface packaging for your model, additional C++ class interface controls become available in the **Code interface** subpane. See “Configure Code Interface Options” on page 12-31 for descriptions of these controls. You might want to modify the default settings according to your application.

- 5 Click the **Configure C++ Class Interface** button. This action opens the Configure C++ class interface dialog box, which allows you to configure the step method for your generated model class. The dialog box initially displays a view for configuring a **Default step method** for the model class. In this view, you can specify the model class name, step method name, and namespace for your model.

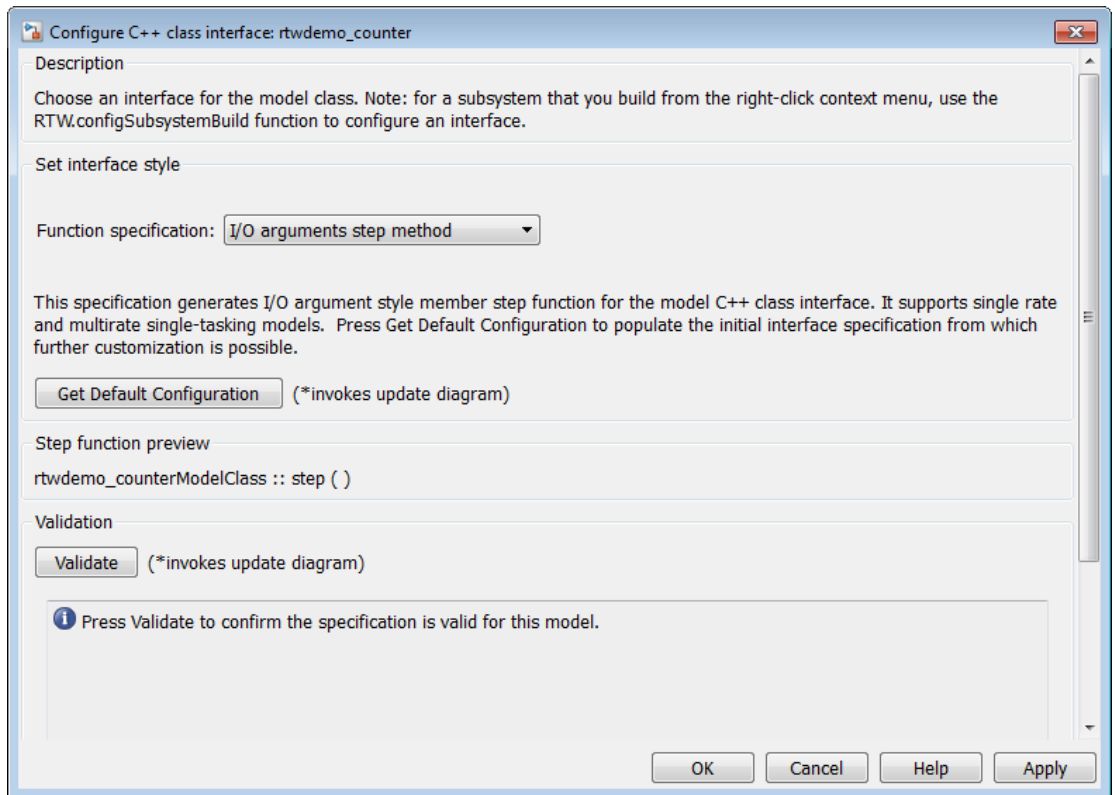


See “Configure Step Method for Your Model Class” on page 12-34 for descriptions of these controls.

---

**Note:** If the default interface style meets your needs, you can skip steps 6–8 and go directly to step 9.

- 6 If you want root-level model input and output to be arguments on the step method, select the value **I/O arguments step method** from the **Function specification** menu. The dialog box displays a view for configuring an I/O arguments style step method for the model class.



See “Configure Step Method for Your Model Class” on page 12-34 for descriptions of these controls.

- 7 Click the **Get Default Configuration** button. This action causes a **Configure C++ class interface** subpane to appear in the dialog box. The subpane displays the initial interface configuration for your model, which provides a starting point for further customization.

Configure C++ class interface

Step method name:  Class name:  Namespace:

Order	Port Name	Port Type	Category	Argument Name	Qualifier
1	Input	Inport	Value	arg_Input	none
2	Output	Output	Pointer	arg_Output	none

Up  
Down

- See “Passing I/O Arguments” on page 12-37 for descriptions of these controls.
- 8 Perform this optional step only if you want to customize the configuration of the I/O arguments generated for your model step method.

---

**Note:** If you choose to skip this step, you should click **Cancel** to exit the dialog box.

---

If you choose to perform this step, first you must check that the required option **Remove root level I/O zero initialization** is selected on the **Optimization** pane, and then navigate back to the I/O arguments step method view of the Configure C++ class interface dialog box.

Now you can use the dialog box controls to configure I/O argument attributes. For example, in the **Configure C++ class interface** subpane, in the row for the **Input** argument, you can change the value of **Category** from **Value** to **Pointer** and change the value of **Qualifier** from **none** to **const \***. The preview updates to reflect your changes. Click the **Validate** button to validate the modified interface configuration.

Continue modifying and validating until you are satisfied with the step method configuration.



Configure C++ class interface

Step method name:  Class name:  Namespace:

Order	Port Name	Port Type	Category	Argument Name	Qualifier
1	Input	Inport	Pointer	arg_Input	const *
2	Output	Output	Pointer	arg_Output	none

Up


Down

Step function preview

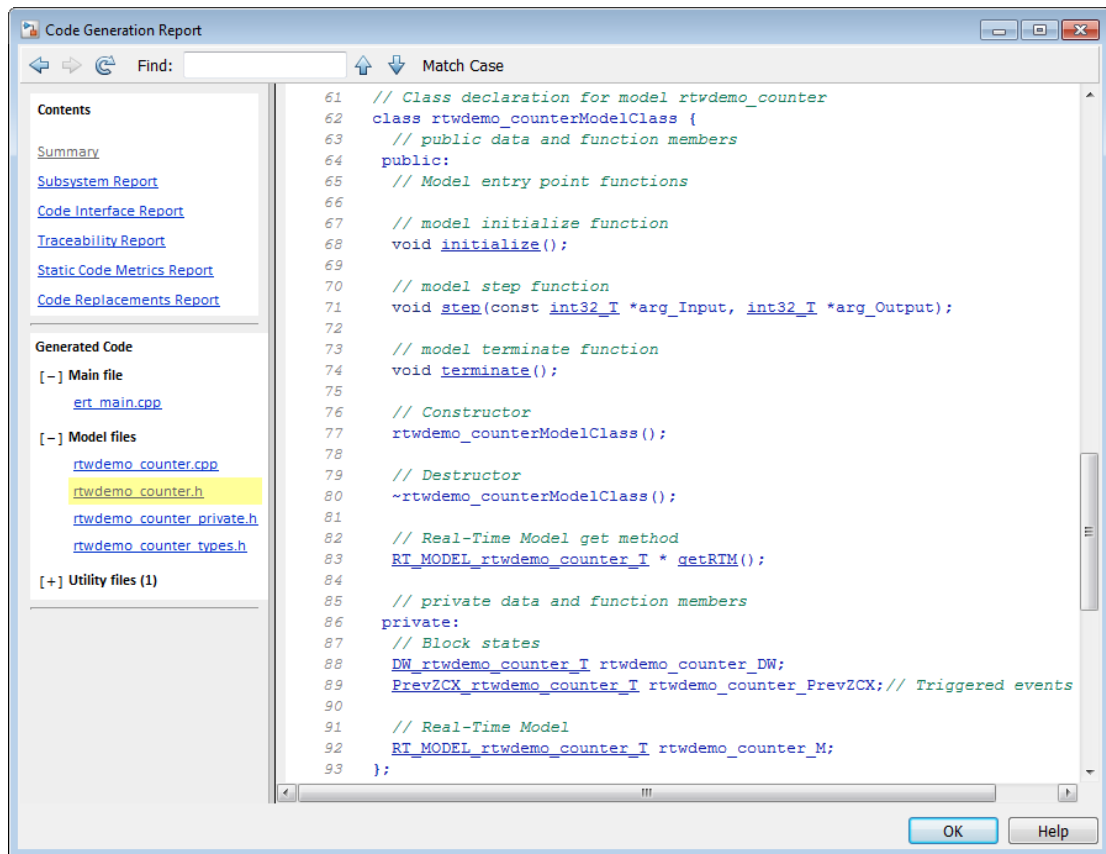
```
rtwdemo_counterModelClass :: step ( * arg_Input, * arg_Output )
```

Validation

(\*invokes update diagram)

 Last validation succeeded.

- Click **Apply** and **OK**.
- 9 Generate code for the model. When the build completes, the code generation report for `rtwdemo_counter` appears. Examine the report and observe that required model data is encapsulated into C++ class attributes and model entry point functions are encapsulated into C++ class methods. For example, click the link for `rtwdemo_counter.h` to see the class declaration for the model.



**Note:** If you configured custom I/O arguments for the model step method (optional step 8), examine the generated code for the step method in `rtwdemo_counter.h` and `rtwdemo_counter.cpp`. The arguments should reflect your changes. For example, if you performed the Input argument modifications in step 8, the input argument should appear as `const int32_T *arg_Input`.

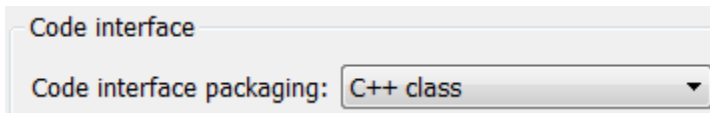
## Customize C++ Class Interfaces Using Graphical Interfaces

- “Select C++ Class Code Interface Packaging” on page 12-31
- “Configure Code Interface Options” on page 12-31

- “Configure Step Method for Your Model Class” on page 12-34
- “Use Namespaces to Scope C++ Model Classes” on page 12-40
- “Combine I/O Arguments in Model Step Interface” on page 12-42
- “Configure C++ Class Interfaces for Nonvirtual Subsystems” on page 12-44

### Select C++ Class Code Interface Packaging

To select C++ class code interface packaging, in the Configuration Parameters dialog box, on the **Code Generation** pane, set the **Language** parameter to C++. Then, in the **Code Generation > Interface** pane, check that the **Code interface packaging** parameter is set to C++ class:

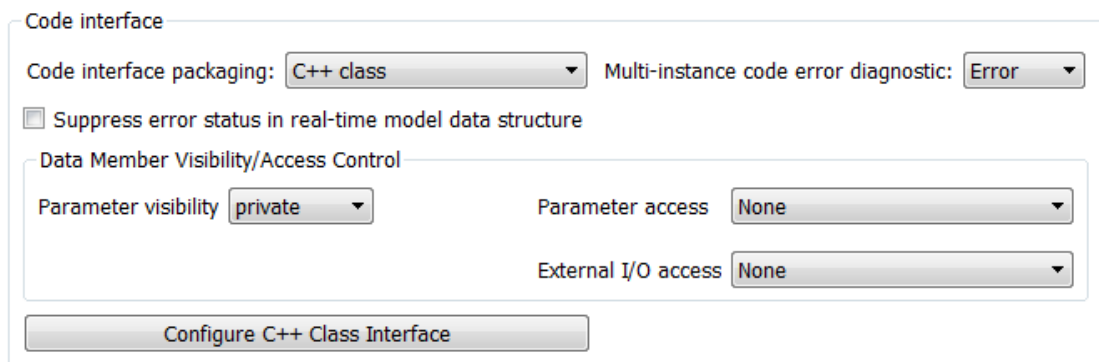


Selecting this value:

- Disables model configuration options that C++ class does not support. For details, see “C++ Class Interface Control Limitations” on page 12-50.
- Adds additional C++ class interface parameters, which are described in the next section.

### Configure Code Interface Options

When you select C++ class code interface packaging for your model, the **Code interface** parameters shown below are displayed on the **Interface** pane.



- **Multi-instance code error diagnostic**

Specifies the severity level for diagnostics displayed when a model violates requirements for generating multi-instance code.

- **None** — Proceed with build without displaying a diagnostic message.
- **Warning** — Proceed with build after displaying a warning message.
- **Error (default)** — Abort build after displaying an error message.

- **Suppress error status in real-time model data structure**

Specifies whether to omit the error status field from the generated real-time model data structure `rtModel` (off by default). Selecting this option reduces memory usage.

Be aware that selecting this option can cause the code generator to omit the `rtModel` data structure from generated code.

- **Parameter visibility**

Specifies whether to generate the block parameter structure as a `public`, `private`, or `protected` data member of the C++ model class (`private` by default).

- **Parameter access**

Specifies whether to generate access methods for block parameters for the C++ model class (`None` by default). You can select noninlined access methods (`Method`) or inlined access methods (`Inlined method`).

- **External I/O access**

Specifies whether to generate access methods for root-level I/O signals for the C++ model class (`None` by default). If you want to generate access methods, you have the following options:

- Generate either noninlined or inlined access methods.
- Generate either *per-signal* or *structure-based* access methods. That is, you can generate a series of set and get methods on a per-signal basis, or generate just one set method that takes the address of an external input structure as an argument and, for external outputs (if applicable), just one get method that returns a reference to an external output structure. The generated code for structure-based access methods has the following general form:

```
class ModelClass {  
    ...  
    // Root inports set method  
    void setExternalInputs(const ExternalInputs* pExternalInputs);  
};
```

```

// Root outputs get method
const ExternalOutputs & getExternalOutputs() const;
}

```

---

**Note:** This parameter affects generated code only if you are using the default style step method for your model class; *not* if you are explicitly passing arguments for root-level I/O signals using an I/O arguments style step method. For more information, see “Passing Default Arguments” on page 12-35 and “Passing I/O Arguments” on page 12-37.

---

- **Configure C++ Class Interface**

Opens the Configure C++ class interface dialog box, which allows you to configure the step method for your model class. For more information, see “Configure Step Method for Your Model Class” on page 12-34.

Interface parameters that are related, but are less commonly used, are displayed in the **All Parameters** tab:

- **Terminate function required**

Specifies whether to generate the `model_terminate` method (on by default). This function contains model termination code and should be called as part of system shutdown.

- **Combine signal/state structures**

Specifies whether to combine global block signals and global state data into one data structure in the generated code (off by default). Selecting this option reduces RAM and improves readability of the generated code.

- **Internal data visibility**

Specifies whether to generate internal data structures, such as Block I/O, DWork vectors, Runtime model, Zero-crossings, and continuous states, as `public`, `private`, or `protected` data members of the C++ model class (`private` by default).

- **Internal data access**

Specifies whether to generate access methods for internal data structures, such as Block I/O, DWork vectors, Runtime model, Zero-crossings, and continuous states, for the C++ model class (`None` by default). You can select noninlined access methods (`Method`) or inlined access methods (`Inlined method`).

- **Generate destructor**

Specifies whether to generate a destructor for the C++ model class (on by default).

- **Use dynamic memory allocation for model block instantiation**

For a model containing `Model` blocks, specifies whether generated code should use dynamic memory allocation, during model object registration, to instantiate objects for referenced models configured with a C++ class interface (off by default). If you select this option, during instantiation of an object for the top model in a model reference hierarchy, the generated code uses the operator `new` to instantiate objects for referenced models.

Selecting this option frees a parent model from having to maintain information about referenced models beyond its direct children. Clearing this option means that a parent model maintains information about its referenced models, including its direct and indirect children.

---

**Note:**

- If you select this option, be aware that a `bad_alloc` exception might be thrown, per the C++ standard, if an out-of-memory error occurs during the use of `new`. You must provide code to catch and process the `bad_alloc` exception in case an out-of-memory error occurs for a `new` call during construction of a top model object.
  - If **Use dynamic memory allocation for model block instantiation** is selected and the base model contains a `Model` block, the build process might generate copy constructor and assignment operator functions in the private section of the model class. The purpose of the functions is to prevent pointer members within the model class from being copied by other code. For more information, see “Model Class Copy Constructor and Assignment Operator” on page 12-49.
- 

### Configure Step Method for Your Model Class

To configure the step method for your model class, on the **Code Generation > Interface** pane, click the **Configure C++ Class Interface** button, which is available when you select `C++ class` code interface packaging for your model. This action opens the Configure C++ class interface dialog box, where you can configure the step method for your model class in either of two styles:

- “Passing Default Arguments” on page 12-35
- “Passing I/O Arguments” on page 12-37

---

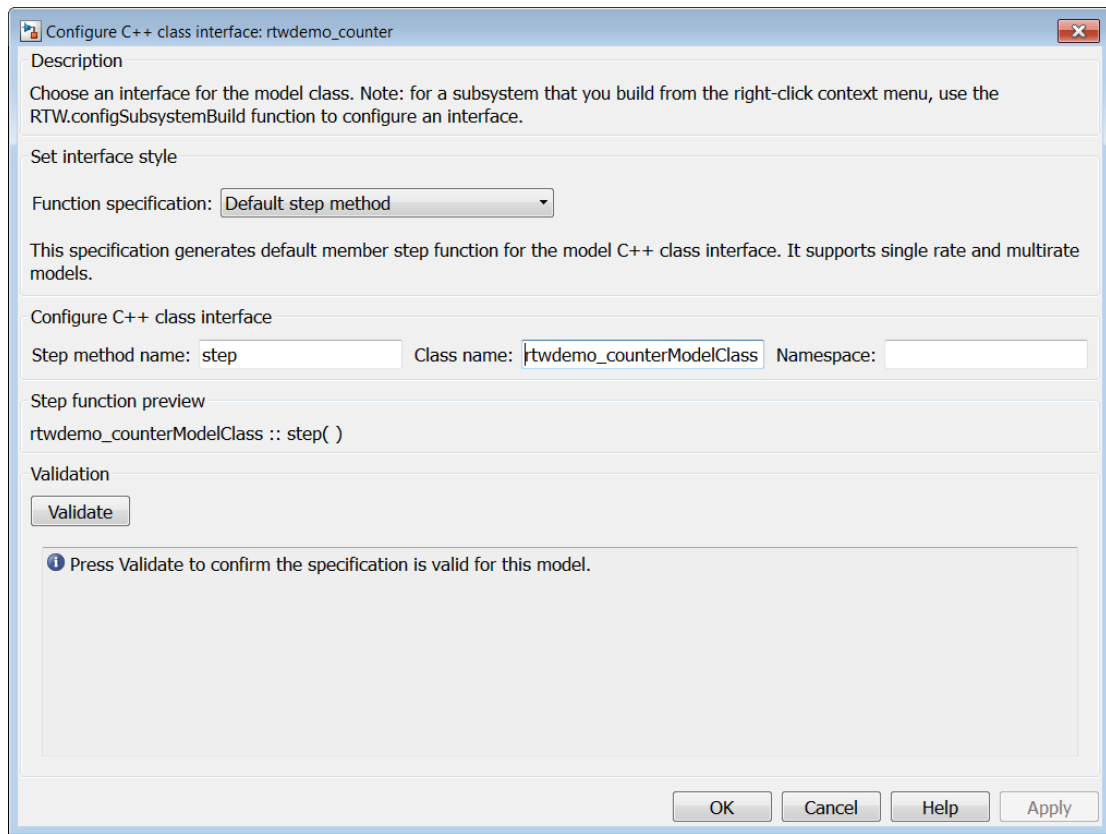
**Note:** The **Default step method** supports single-rate models and multirate models. The model can be configured for single-tasking operation or multi-tasking operation. This method also supports virtual bus crossing boundaries.

The **I/O arguments step method** supports single-rate models and multirate models. The model can be configured for single-tasking operation.

---

### **Passing Default Arguments**

The Configure C++ class interface dialog box initially displays a view for configuring a **Default step method** for the model class.



- **Step method name**

Allows you to specify a step method name other than the default, `step`.

- **Class name**

Allows you to specify a model class name other than the default, `modelModelClass`.

- **Namespace**

Allows you to specify a namespace for the model class. If specified, the namespace is emitted in the generated code for the model class. The **Namespace** parameter provides a means of scoping C++ model classes. In a model reference hierarchy, you can specify a different namespace for each referenced model.



- **Step function preview**

Displays a preview of the model step function prototype as currently configured. The preview display is dynamically updated after you validate your current configuration.

- **Validate**

Validates your current model step function configuration. The **Validation** pane displays the status and an explanation of any failure.

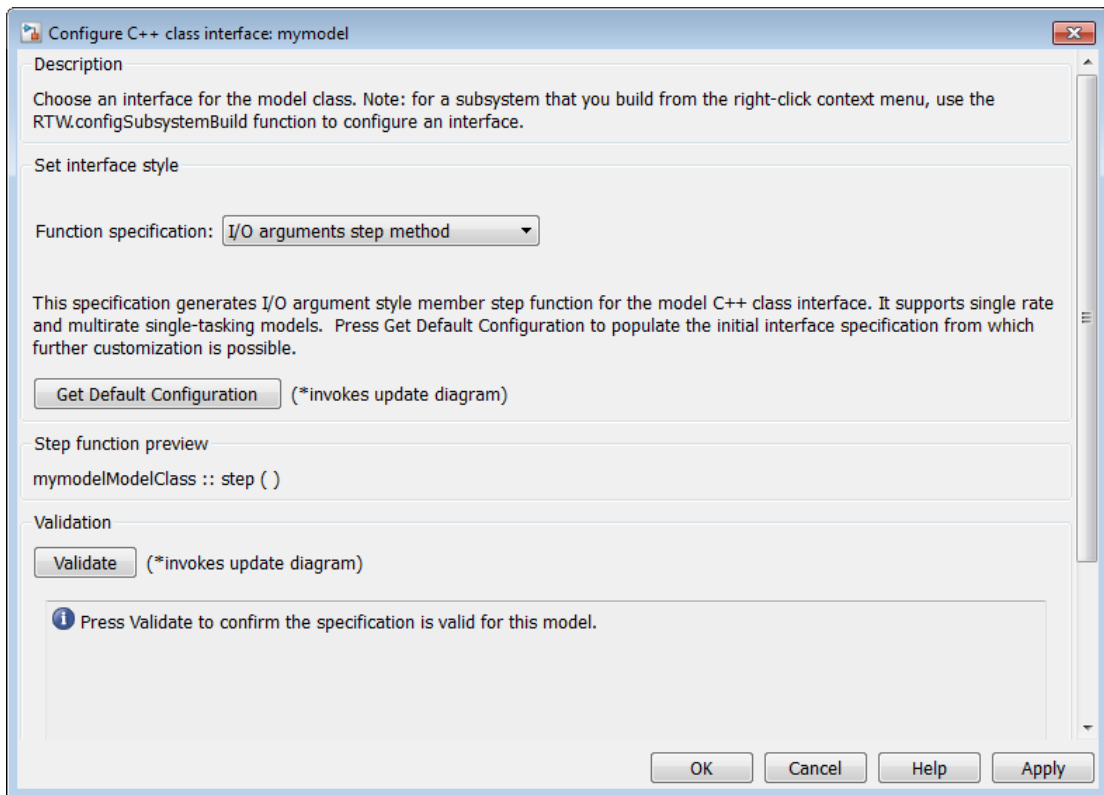
### **Passing I/O Arguments**

If you select **I/O arguments step method** from the **Function specification** menu, the dialog box displays a view for configuring an I/O arguments style step method for the model class.

---

**Note:** To use the I/O arguments style step method, you must select the option **Remove root level I/O zero initialization** on the **Optimization** pane of the Configuration Parameters dialog box.

---



- **Get Default Configuration**

Click this button to get the initial interface configuration that provides a starting point for further customization.

- **Step function preview**

Displays a preview of the model step function prototype as currently configured. The preview dynamically updates as you make configuration changes.

- **Validate**

Validates your current model step function configuration. The **Validation** pane displays the status and an explanation of any failure.

When you click **Get Default Configuration**, the **Configure C++ class interface** subpane appears in the dialog box, displaying the initial interface configuration. For example:

Configure C++ class interface

Step method name:  Class name:  Namespace:

Order	Port Name	Port Type	Category	Argument Name	Qualifier
1	In1	Inport	Value	arg_In1	none
2	In2	Inport	Value	arg_In2	none
3	In3	Inport	Value	arg_In3	none
4	Out1	Outport	Pointer	arg_Out1	none
5	Out2	Outport	Pointer	arg_Out2	none

Up  
Down

- **Step method name**

Allows you to specify a step method name other than the default, `step`.

- **Class name**

Allows you to specify a model class name other than the default, `modelModelClass`.

- **Namespace**

Allows you to specify a namespace for the model class. If specified, the namespace is emitted in the generated code for the model class. The **Namespace** parameter provides a means of scoping C++ model classes. In a model reference hierarchy, you can specify a different namespace for each referenced model.

- **Order**

Displays the numerical position of each argument. Use the **Up** and **Down** buttons to change argument order.

- **Port Name**

Displays the port name of each argument (not configurable using this dialog box).

- **Port Type**

Displays the port type, `Inport` or `Outport`, of each argument (not configurable using this dialog box).

- **Category**

Displays the passing mechanism for each argument. To change the passing mechanism for an argument, select **Value**, **Pointer**, or **Reference** from the argument's **Category** menu.

- **Argument Name**

Displays the name of each argument. To change an argument name, click in the argument's **Argument name** field, position the cursor for text entry, and enter the new name.

- **Qualifier**

Displays the **const** type qualifier for each argument. To change the qualifier for an argument, select an available value from the argument's **Qualifier** menu. The possible values are:

- none
- **const** (value)
- **const\*** (value referenced by the pointer)
- **const\*const** (value referenced by the pointer and the pointer itself)
- **const &** (value referenced by the reference)

---

**Tip** When a model includes a referenced model, the **const** type qualifier for the root input argument of the referenced model's specified step function interface is set to **none** and the qualifier for the source signal in the referenced model's parent is set to a value other than **none**, code generation honors the referenced model's interface specification by generating a type cast that discards the **const** type qualifier from the source signal. To override this behavior, add a **const** type qualifier to the referenced model.

---

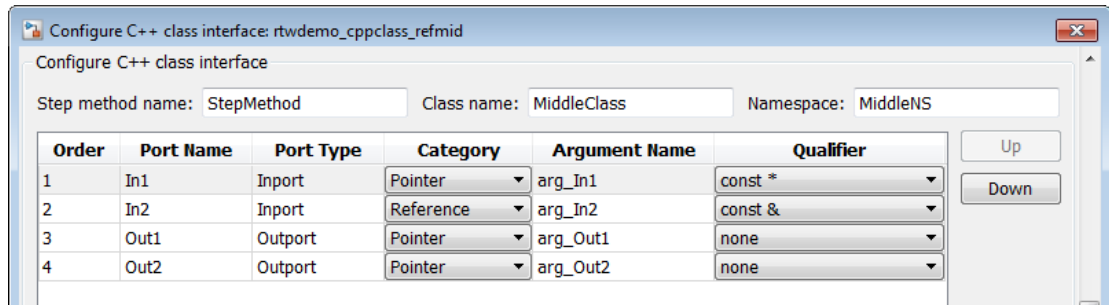
### Use Namespaces to Scope C++ Model Classes

Embedded Coder provides namespace control for scoping model classes generated using C++ class code interface packaging. In the Configure C++ class interface dialog box, use the **Namespace** parameter to specify a namespace for a model class. If specified, the namespace is emitted in the generated code for the model class. To scope the C++ model classes in a model reference hierarchy, you can specify a different namespace for each referenced model.

For an example of namespace control, see the example model `rtwdemo_cppclass`. This model assigns namespaces as follows:

- `TopNS` for top-level model `rtwdemo_cppclass`
- `MiddleNS` for referenced model `rtwdemo_cppclass_refmid`
- `BottomNS` for referenced model `rtwdemo_cppclass_refbot`

If you build the model with its default settings, you can examine the generated header and source files for each model to see where the namespace is emitted. For example, the **Namespace** setting for the model `rtwdemo_cppclass_refmid` is shown below, followed by excerpts of the emitted namespace code in the model header and source files.



```

42 // Class declaration for model rtwdemo_cppclass_refmid
43 namespace MiddleNS {
44     class MiddleClass {
45         // public data and function members
46     public:
47         // Model entry point functions
48     ...
49     // model step function
50     void StepMethod(const real_T *arg_In1, const real_T &arg_In2, real_T
51         *arg_Out1, real_T *arg_Out2);
52     ...
53     };
54 }

15 #include "rtwdemo_cppclass_refmid.h"
16 #include "rtwdemo_cppclass_refmid_private.h"
17
18 namespace MiddleNS
19 {
20     // Model step function
21     void MiddleClass::StepMethod(const real_T *arg_In1, const real_T &arg_In2,
22         real_T *arg_Out1, real_T *arg_Out2)

```

```
23    {  
...  
43    }  
...  
83    }
```

### Combine I/O Arguments in Model Step Interface

When using C function prototype control or C++ class interface control, you can combine a pair of model step function arguments, an input and an output. This merging of input and output allows the code generator to reuse buffers, which can eliminate buffers in the generated code.

The following requirements apply to combining model step function input and output arguments:

- The input and output arguments must be assigned the same argument name.
- The corresponding inport and outport blocks must have the same data type and sampling rate.

Additionally, the following limitations apply to combining model step function input and output arguments:

- The sample rate of the inport and outport blocks must be the same as the base rate of the model.
- A conditionally executed subsystem cannot drive the outport.
- A single, nonvirtual block output must drive the outport. For example, a Mux block, which merges multiple buffers, cannot drive the outport.

To configure model step function I/O arguments to allow buffer reuse:

- 1 In the Configuration Parameters dialog box, select the **Code Generation > Interface** pane. To initiate C function prototype control, click the **Configure Model Functions** button. To initiate C++ class interface control, click the **Configure C++ Class Interface** button.
- 2 Navigate to the view that allows you to modify model step function I/O arguments – **Model specific C prototypes** view for C function prototype control or **I/O arguments step method** for C++ class interface control.
- 3 Select an inport/outport pair, configure their **Category** and **Argument Name** settings to match, and make sure that **Category** is not set to Value. Set **Qualifier** to **none** for both ports.

Configure model initialize and step functions

Initialize function name:

Step function name:

Step function arguments:

Order	Port Name	Port Type	Category	Argument Name	Qualifier
1	In1	Inport	Value	argIn1	const
2	Out2	Output	Pointer	arg_Out2	none
3	Out1	Output	Pointer	sharedArg	none
4	In2	Inport	Pointer	sharedArg	none

Up  
Down

Step function preview

model\_step\_custom ( argIn1, \* arg\_Out2, \* sharedArg )

Validation

(\*invokes update diagram)

✓ Last validation succeeded.

When you generate code from the model, the arguments are combined in the function prototype. For example:

```

35 // Model step function
36 void model_step_custom(const real_T argIn1, boolean_T *arg_Out2, boolean_T
37 *sharedArg)
38 {

```

The shared argument appears in inport read code and outport write code. For example:

```

54
55  *arg_Out2 = !*sharedArg;
56
57  // Update for UnitDelay: '<Root>/Unit_Delay' incorporates:
58  //   Update for Inport: '<Root>/In1'
59
60  rtDWork.UnitDelay_DSTATE = argIn1;
61
62  // Logic: '<Root>/LogOp'
63  *sharedArg = (rtb_RelOp1 || rtb_RelOp2);
64 }

```

### Configure C++ Class Interfaces for Nonvirtual Subsystems

You can configure C++ class interfaces for right-click builds of nonvirtual subsystems in Simulink models, if the following requirements are met:

- The model is configured for the C++ language and C++ class code interface packaging.
- The subsystem is convertible to a Model block using the function `Simulink.SubSystem.convertToModelReference`. For referenced model conversion requirements, see the Simulink reference page `Simulink.SubSystem.convertToModelReference`.

To configure C++ class interfaces for a subsystem that meets the requirements:

- 1 Open the containing model and select the subsystem block.
- 2 Enter the following MATLAB command:

```
RTW.configSubsystemBuild(gcb)
```

where `gcb` is the Simulink function `gcb`, returning the full block path name of the current block.

This command opens a subsystem equivalent of the Configure C++ class interface dialog sequence that is described in detail in the preceding section, “Configure Step Method for Your Model Class” on page 12-34. (For more information about using the MATLAB command, see `RTW.configSubsystemBuild`.)

- 3 Use the Configure C++ class interface dialog boxes to configure C++ class settings for the subsystem.
- 4 Right-click the subsystem and select **C/C++ Code > Build This Subsystem**.



- 5 When the subsystem build completes, you can examine the C++ class interfaces in the generated files and the HTML code generation report.

## Customize C++ Class Interfaces Programmatically

If you select the **Code interface packaging** option `C++ class` for your model, you can use the C++ class interface control functions (listed in C++ Class Interface Control Functions) to programmatically configure the step method for your model class.

Typical uses of these functions include:

- **Create and validate a new step method interface, starting with default configuration information from your Simulink model**
  - 1 Create a model-specific C++ class interface with `obj = RTW.ModelCPPDefaultClass` or `obj = RTW.ModelCPPArgsClass`, where `obj` returns a handle to an newly created, empty C++ class interface.
  - 2 Attach the C++ class interface to your loaded ERT-based Simulink model using `attachToModel`.
  - 3 Get default C++ class interface configuration information from your model using `getDefaultConf`.
  - 4 Use the `Get` and `Set` functions listed in C++ Class Interface Control Functions to test or reset the model class name and model step method name. Additionally, if you are using the I/O arguments style step method, you can test and reset argument names, argument positions, argument categories, and argument type qualifiers.
  - 5 Validate the C++ class interface using `runValidation`. (If validation fails, use the error message information that `runValidation` returns to address the issues.)
  - 6 Save your model and then generate code using the `rtwbuild` function.
- **Modify and validate an existing step method interface for a Simulink model**
  - 1 Get the handle to an existing model-specific C++ class interface that is attached to your loaded ERT-based Simulink model using `obj = RTW.getClassInterfaceSpecification(modelName)`, where `modelName` is a string specifying the name of a loaded ERT-based Simulink model, and `obj` returns a handle to a C++ class interface attached to the specified model. If the model does not have an attached C++ class interface configuration, the function returns `[]`.

- 2 Use the `Get` and `Set` functions listed in C++ Class Interface Control Functions to test or reset the model class name and model step method name. Additionally, if the returned interface uses the I/O arguments style step method, you can test and reset argument names, argument positions, argument categories, and argument type qualifiers.
- 3 Validate the C++ class interface using `runValidation`. (If validation fails, use the error message information that `runValidation` returns to address the issues.)
- 4 Save your model and then generate code using the `rtwbuild` function.

---

**Note:** You should not use the same model-specific C++ class interface control object across multiple models. If you do, changes that you make to the step method configuration in one model propagate to other models, which is usually not desirable.

---

### C++ Class Interface Control Functions

Function	Description
<code>attachToModel</code>	Attach model-specific C++ class interface to loaded ERT-based Simulink model
<code>getArgCategory</code>	Get argument category for Simulink model port from model-specific C++ class interface
<code>getArgName</code>	Get argument name for Simulink model port from model-specific C++ class interface
<code>getArgPosition</code>	Get argument position for Simulink model port from model-specific C++ class interface
<code>getArgQualifier</code>	Get argument type qualifier for Simulink model port from model-specific C++ class interface
<code>getClassName</code>	Get class name from model-specific C++ class interface
<code>getDefaultConf</code>	Get default configuration information for model-specific C++ class interface from Simulink model to which it is attached
<code>getNamespace</code>	Get namespace from model-specific C++ class interface
<code>getNumArgs</code>	Get number of step method arguments from model-specific C++ class interface
<code>getStepMethodName</code>	Get step method name from model-specific C++ class interface

Function	Description
RTW.configSubsystemBuild	Open GUI to configure C function prototype or C++ class interface for right-click build of specified subsystem
RTW.getClass-InterfaceSpecification	Get handle to model-specific C++ class interface control object
runValidation	Validate model-specific C++ class interface against Simulink model to which it is attached
setArgCategory	Set argument category for Simulink model port in model-specific C++ class interface
setArgName	Set argument name for Simulink model port in model-specific C++ class interface
setArgPosition	Set argument position for Simulink model port in model-specific C++ class interface
setArgQualifier	Set argument type qualifier for Simulink model port in model-specific C++ class interface
setClassName	Set class name in model-specific C++ class interface
setNamespace	Set namespace in model-specific C++ class interface
setStepMethodName	Set step method name in model-specific C++ class interface

## Configure Step Method for Model Class

The following sample MATLAB script configures the step method for the `rtwdemo_counter` model class, using the C++ Class Interface Control Functions.

```

%% Open the rtwdemo_counter model
rtwdemo_counter

%% Select ert.tlc as the System Target File for the model
set_param(gcs,'SystemTargetFile','ert.tlc')

%% Select C++ as the target language for the model
set_param(gcs,'TargetLang','C++')

%% Select C++ class as the code interface packaging for the model
set_param(gcs,'CodeInterfacePackaging','C++ class')

%% Set required option for I/O arguments style step method (cmd off = GUI on)
set_param(gcs,'ZeroExternalMemoryAtStartup','off')

%% Create a C++ class interface using an I/O arguments style step method
a=RTW.ModelCPPArgsClass

```

```

%% Attach the C++ class interface to the model
attachToModel(a,gcs)

%% Get the default C++ class interface configuration from the model
getDefaultConf(a)

%% Move the Output port argument from position 2 to position 1
setArgPosition(a,'Output',1)

%% Reset the model step method name from step to StepMethod
setStepMethodName(a,'StepMethod')

%% Change the Input port argument name, category, and qualifier
setArgName(a,'Input','inputArg')
setArgCategory(a,'Input','Pointer')
setArgQualifier(a,'Input','const *')

%% Validate the function prototype against the model
[status,message]=runValidation(a)

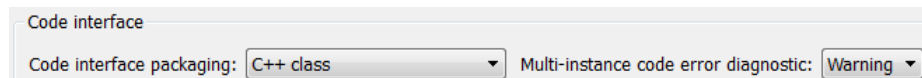
%% if validation succeeded, generate code and build
if status
    rtwbuild(gcs)
end

```

## Specify Custom Storage Class for C++ Class Code Generation

To configure a Simulink parameter, signal, or state to use a custom storage class (CSC) with C++ class code generation:

- 1 Open an ERT-based model for which **Language** is set to C++ and **Code interface packaging** is set to C++ class.
- 2 Open the Configuration Parameters dialog box.
- 3 On the **Code Generation > Interface** pane, set the **Multi-instance code error diagnostic** parameter to a value other than Error.



- 4 On the **All Parameters** tab, if the option **Ignore custom storage classes** is selected, clear the option.

Apply the changes.

- 5 In the model, select a custom storage class for a parameter, signal, or state. For example, select a signal, open its Properties dialog box, and view its code generation

options. In the **Storage class** drop-down list, select a custom storage class, and then configure its attributes. Apply the changes.

---

**Note:** C++ class code generation does not support the following CSCs:

- CSCs with `Volatile` specifications.
  - CSCs of type `Other`, except `GetSet`.
- 

- 6 Build the model.
- 7 In the code generation report, examine the files `model.h` and `model.cpp` to observe the use of CSCs in the generated C++ code.

## Model Class Copy Constructor and Assignment Operator

Code generation automatically adds a copy constructor and an assignment operator to C++ class declarations when required to securely handle pointer members. The constructor and operator are added as private member functions when both of the following conditions exist:

- The model option **Use dynamic memory allocation for model block instantiation** is set to `on`.
- The base model contains a `Model` block. The `Model` block is not directly or indirectly within a subsystem for which **Function packaging** is set to `Reusable function`.

Under these conditions, the software generates a private copy constructor and assignment operator to prevent pointer members within the model class from being copied by other code.

---

**Note:** To prevent generation of these functions, consider clearing the option **Use dynamic memory allocation for model block instantiation**.

---

The code excerpt below shows generated `model.h` code for a model class that has a pointer member. (Look for instances of `MiddleClass_ptr`). The copy constructor and assignment operator declarations are shown in **bold**.

```
class MiddleClass;    // class forward declaration for <S1>/Bottom model instance
typedef MiddleClass* MiddleClass_ptr;
```

```
...  
  
// Class declaration for model cppclass_top  
class Top {  
...  
    // private data and function members  
private:  
    // Block signals  
    BlockIO_cppclass_top cppclass_top_B;  
  
    // Block states  
    D_Work_cppclass_top cppclass_top_DWork;  
  
    // Real-Time Model  
    RT_MODEL_cppclass_top cppclass_top_M;  
  
    // private member function(s) for subsystem '<Root>/Subsystem'  
    void cppclass_top_Subsystem_Init();  
    void cppclass_top_Subsystem_Start();  
    void cppclass_top_Subsystem();  
  
    //Copy Constructor  
    Top(const Top &rhs);  
  
    //Assignment Operator  
    Top& operator= (const Top &rhs);  
  
    // model instance variable for '<S1>/Bottom model instance'  
    MiddleClass_ptr Bottom_model_instanceMDLOBJ1;  
};
```

### C++ Class Interface Control Limitations

- The C++ class code interface packaging option does not support some Simulink model configuration options. Selecting C++ class disables the following items in the Configuration Parameters dialog box:
  - **Identifier format control** subpane on the **Symbols** pane
  - **File customization template** parameter on the **Templates** pane

---

**Note:** The code and data templates on the **Templates** pane are supported for C++ class code generation. However, the following template file features that are supported for other language selections are not supported for C++ class generated code:

- Free-form text outside template sections
- Custom tokens

- TLC commands (<! > tokens)
- 
- **Global data placement (custom storage classes only)** subpane on the **Code Placement** pane
  - **Memory Sections** pane
  - Among the data exchange interfaces available on the **Interface** pane of the Configuration Parameters dialog box, only the **C API** interface is supported for **C++ class** code generation. If you select **External mode** or **ASAP2**, code generation fails with a validation error.
  - The **I/O arguments** style of step method specification supports single-rate models and multirate single-tasking models, but not multirate multitasking models.
  - If you have a Stateflow license, for a Stateflow chart that resides in a root model configured to use the **I/O arguments step method** function specification, and that uses a model root inport value or calls a subsystem that uses a model root inport value, you must do one of the following to generate code:
    - Clear the **Execute (enter) Chart At Initialization** check box in the Stateflow chart.
    - Insert a **Simulink Signal Conversion** block immediately after the root inport. In the **Signal Conversion** block parameters dialog box, select **Exclude this block from 'Block reduction' optimization**.
  - If a model root inport value connects to a Simscape conversion block, you must insert a **Simulink Signal Conversion** block between the root inport and the Simscape conversion block. In the **Signal Conversion** block parameters dialog box, select **Exclude this block from 'Block reduction' optimization**.
  - When building a referenced model that is configured to generate a C++ class interface:
    - Do not use a C++ class interface in cases when a referenced model cannot have a combined output/update function. Cases include a model that has a continuous sample time or saves states.
    - Do not use virtual buses as inputs or outputs to the referenced model when the referenced model uses the **I/O arguments step method**. When bus signals cross referenced model boundaries, either use nonvirtual buses or use the **Default step method**.
  - If the C++ encapsulation interface is not the default, the value is ignored for the **Configuration Parameters > Model Referencing > Pass fixed-size scalar root**

**inputs by value for code generation** parameter. For more information, see “Pass fixed-size scalar root inputs by value for code generation”.

### See Also

“Code interface packaging”

### Related Examples

- “Combine I/O Arguments in Model Step Interface” on page 12-53



## Combine I/O Arguments in Model Step Interface

When using C function prototype control or C++ class interface control, you can combine a pair of model step function arguments, an input and an output. This merging of input and output allows the code generator to reuse buffers, which can eliminate buffers in the generated code.

The following requirements apply to combining model step function input and output arguments:

- The input and output arguments must be assigned the same argument name.
- The corresponding inport and outport blocks must have the same data type and sampling rate.

Additionally, the following limitations apply to combining model step function input and output arguments:

- The sample rate of the inport and outport blocks must be the same as the base rate of the model.
- A conditionally executed subsystem cannot drive the outport.
- A single, nonvirtual block output must drive the outport. For example, a Mux block, which merges multiple buffers, cannot drive the outport.

To configure model step function I/O arguments to allow buffer reuse:

- 1 In the Configuration Parameters dialog box, select the **Code Generation > Interface** pane. To initiate C function prototype control, click the **Configure Model Functions** button. To initiate C++ class interface control, click the **Configure C++ Class Interface** button.
- 2 Navigate to the view that allows you to modify model step function I/O arguments – **Model specific C prototypes** view for C function prototype control or **I/O arguments step method** for C++ class interface control.
- 3 Select an inport/outport pair, configure their **Category** and **Argument Name** settings to match, and make sure that **Category** is not set to **Value**. Set **Qualifier** to **none** for both ports.

Configure model initialize and step functions

Initialize function name:

Step function name:

Step function arguments:

Order	Port Name	Port Type	Category	Argument Name	Qualifier
1	In1	Inport	Value	argIn1	const
2	Out2	Output	Pointer	arg_Out2	none
3	Out1	Output	Pointer	sharedArg	none
4	In2	Inport	Pointer	sharedArg	none

Up  
Down

Step function preview

model\_step\_custom ( argIn1, \* arg\_Out2, \* sharedArg )

Validation

(\*invokes update diagram)

✓ Last validation succeeded.

When you generate code from the model, the arguments are combined in the function prototype. For example:

```

35 // Model step function
36 void model_step_custom(const real_T argIn1, boolean_T *arg_Out2, boolean_T
37 *sharedArg)
38 {

```

The shared argument appears in inport read code and outport write code. For example:

```
54
55  *arg_Out2 = !*sharedArg;
56
57  // Update for UnitDelay: '<Root>/Unit Delay' incorporates:
58  //   Update for Inport: '<Root>/In1'
59
60  rtDWork.UnitDelay_DSTATE = argIn1;
61
62  // Logic: '<Root>/LogOp'
63  *sharedArg = (rtb_RelOp1 || rtb_RelOp2);
64 }
```

## Generate Modular Function Code

The Embedded Coder software provides a Subsystem Parameters dialog box option, **Function with separate data**, that allows you to generate modular function code for nonvirtual subsystems, including atomic subsystems and conditionally executed subsystems.

By default, the generated code for a nonvirtual subsystem does not separate a subsystem's internal data from the data of its parent Simulink model. This can make it difficult to trace and test the code, particularly for nonreusable subsystems. Also, in large models containing nonvirtual subsystems, data structures can become large and potentially difficult to compile.

### In this section...

“About Nonvirtual Subsystem Code Generation” on page 12-56

“Configure Subsystem for Generating Modular Function Code” on page 12-57

“Modular Function Code for Nonvirtual Subsystems” on page 12-62

“Nonvirtual Subsystem Modular Function Code Limitations” on page 12-68

## About Nonvirtual Subsystem Code Generation

**Function with separate data** allows you to generate subsystem function code in which the internal data for a nonvirtual subsystem is separated from its parent model and is owned by the subsystem. The subsystem data structure is declared independently from the parent model data structures. A subsystem with separate data has its own block I/O and DWork data structure. As a result, the generated code for the subsystem is easier to trace and test. The data separation also tends to reduce the maximum size of global data structures throughout the model, because they are split into multiple data structures.

To use the **Function with separate data** parameter,

- Your model must use an ERT-based system target file (requires a Embedded Coder license).
- Your subsystem must be configured to be atomic or conditionally executed. For more information, see “Systems and Subsystems”.
- Your subsystem must use the Nonreusable function setting for **Code Generation > Function packaging**.

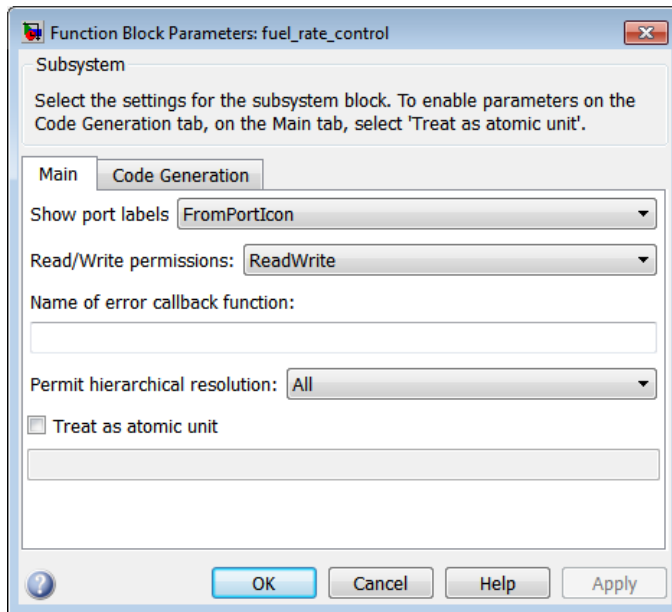
To configure your subsystem for generating modular function code, you invoke the Subsystem Parameters dialog box and make a series of selections to display and enable the **Function with separate data** option. See “Configure Subsystem for Generating Modular Function Code” on page 12-57 and “Modular Function Code for Nonvirtual Subsystems” on page 12-62 for details. For limitations that apply, see “Nonvirtual Subsystem Modular Function Code Limitations” on page 12-68.

For more information about generating code for atomic subsystems, see the sections “Code Generation of Subsystems” and “Generate Code and Executables for Individual Subsystem” in the Simulink Coder documentation.

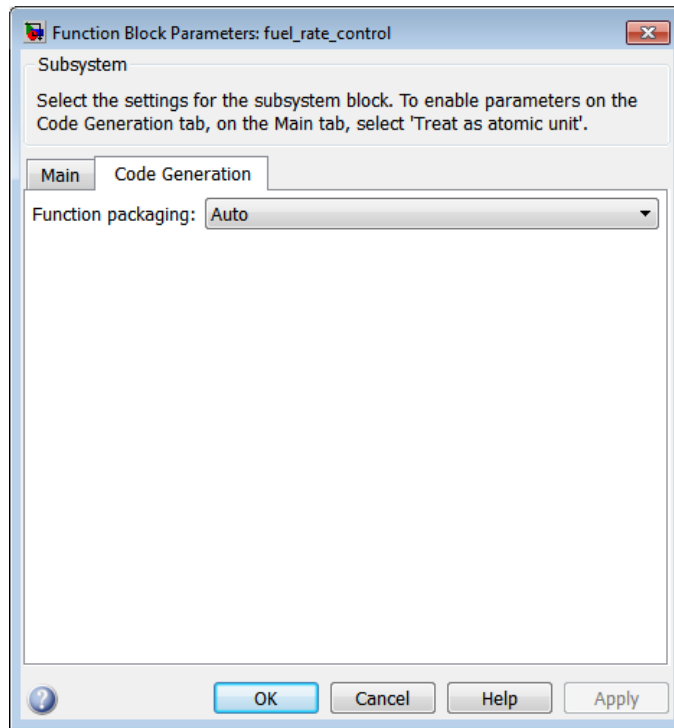
## Configure Subsystem for Generating Modular Function Code

This section summarizes the steps to configure a nonvirtual subsystem in a Simulink model for modular function code generation.

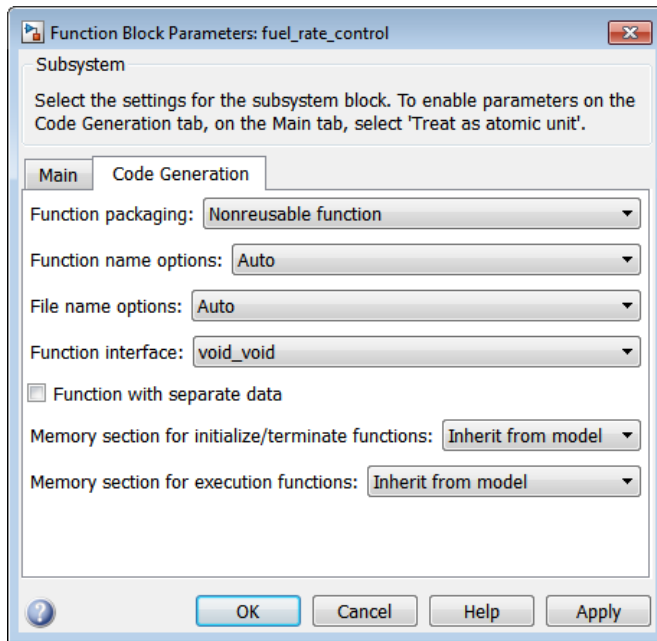
- 1 Verify that the Simulink model containing the subsystem uses an ERT-based system target file (see the **System target file** parameter on the **Code Generation** pane of the Configuration Parameters dialog box).
- 2 In your Simulink model, select the subsystem for which you want to generate modular function code and launch the Subsystem Parameters dialog box (for example, right-click the subsystem and select **Block Parameters (Subsystem)**). The dialog box for an atomic subsystem is shown below. (In the dialog box for a conditionally executed subsystem, the dialog box option **Treat as atomic unit** is greyed out, and you can skip Step 3.)



- 3 If the Subsystem Parameters dialog box option **Treat as atomic unit** is available for selection but not selected, the subsystem is neither atomic nor conditionally executed. Select the option **Treat as atomic unit**, which enables **Function packaging** on the **Code Generation** tab. Select the **Code Generation** tab.



- 4 For the **Function packaging** parameter, select the value **Nonreusable function**. After you make this selection, the **Function with separate data** option is displayed.



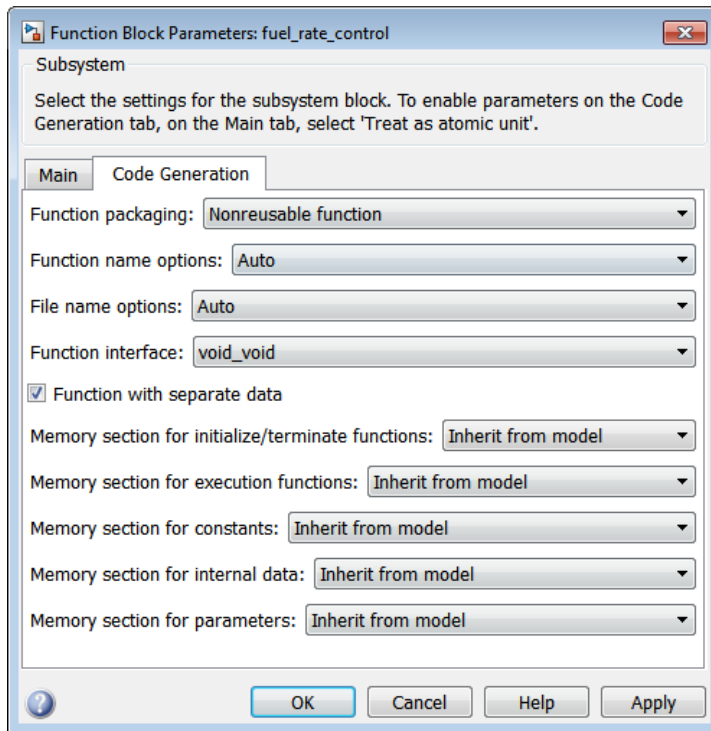
---

**Note:** Before you generate nonvirtual subsystem function code with the **Function with separate data** option selected, you might want to generate function code with the option *deselected* and save the generated function `.c` and `.h` files in a separate directory for later comparison.

---

- 5 Select the **Function with separate data** option. After you make this selection, additional configuration parameters are displayed.





---

**Note:** To control the naming of the subsystem function and the subsystem files in the generated code, you can modify the subsystem parameters **Function name options** and **File name options**.

---

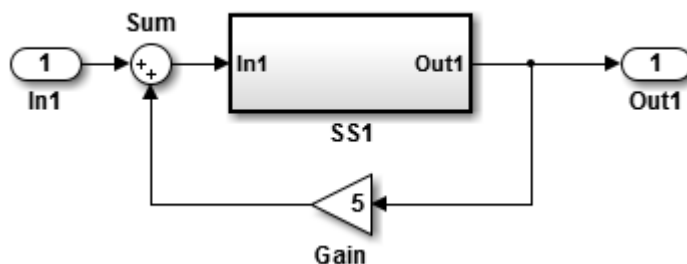
- 6 To save your subsystem parameter settings and exit the dialog box, click **OK**.

This completes the subsystem configuration for generating modular function code. You can now generate the code for the subsystem and examine the generated files, including the function `.c` and `.h` files named according to your subsystem parameter specifications. For more information on generating code for nonvirtual subsystems, see “Code Generation of Subsystems”. For examples of generated subsystem function code, see “Modular Function Code for Nonvirtual Subsystems” on page 12-62.

## Modular Function Code for Nonvirtual Subsystems

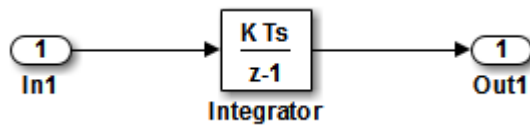
To illustrate the selection of the **Function with separate data** option for a nonvirtual subsystem, the following procedure generates atomic subsystem function code with and without the option selected and compares the results.

- 1 Open MATLAB and launch the model `rtwdemo_atomic` using the MATLAB command `rtwdemo_atomic`.



Examine the Simulink model. This model shows how to preserve the boundary of a virtual subsystem. By selecting the Subsystem Parameters option **Treat as atomic unit**, you guarantee that the code for that subsystem executes as an atomic unit. When a system is marked as atomic, you can specify how the subsystem is represented in code with the Subsystem Parameters option **Code Generation Function Packaging**. You can specify that the subsystem is translated to any of the following types of implementation:

- **Inline**: Inline the subsystem code at the call sites
  - **Function**: A void/void function with I/O and internal data in global data structure
  - **Reusable Function**: A re-entrant function with data passed in as part of function arguments
  - **Auto**: Let Simulink Coder optimize the implementation based on context
- 2 Double-click the SS1 subsystem and examine the contents.



Close the subsystem window when you are finished.

- 3 Right-click the SS1 subsystem, select **Block Parameters (Subsystem)** from the context menu, and examine the settings. Simulink and Simulink Coder can avoid "artificial" algebraic loops when the subsystem is made atomic with the subsystem option **Minimize algebraic loop occurrences**.

Close the Block Parameters dialog box when you are finished.

- 4 Change the **System target file** for the mode from `grt.tlc` to `ert.tlc`. Select the **Configuration Parameters > Code Generation** tab and specify `ert.tlc` for the **System target file** parameter. Click **OK** twice to confirm the change. Using the ERT target provides more code generation options for the atomic subsystem.
- 5 Create a variant of `rtwdemo_atomic` that illustrates function code *without* data separation.
  - a In the `rtwdemo_atomic` model, right-click the SS1 subsystem and select **Block Parameters (Subsystem)**. In the Subsystem Parameters dialog box that appears, verify that
    - On the **Main** tab, **Treat as atomic unit** is selected
    - On the **Code Generation** tab, `User specified` is selected for **Function name options**
    - On the **Code Generation** tab, `myfun` is specified for **Function name**
  - b In the Subsystem Parameters dialog box, on the **Code Generation** tab verify that
    - i `Nonreusable function` is selected for the **Function packaging** parameter. After this selection, additional parameters and options appear.
    - ii `Use function name` is selected for the **File name options** parameter. This selection is optional but simplifies the later task of code comparison by causing the atomic subsystem function code to be generated into the files `myfun.c` and `myfun.h`.

Do *not* select the option **Function with separate data**. Click **Apply** to apply the changes and click **OK** to exit the dialog box.

- c Save this model variant to a personal work directory, for example, `rtwdemo_atomic1` in `d:/atomic`.
- 6 Create a variant of `rtwdemo_atomic` that illustrates function code *with* data separation.
  - a In the `rtwdemo_atomic1` model (or `rtwdemo_atomic` with step 3 reapplied), right-click the SS1 subsystem and select **Block Parameters (Subsystem)**. In the Subsystem Parameters dialog box, verify that
    - On the **Main** tab, **Treat as atomic unit** is selected
    - On the **Code Generation** tab, **Function** is selected for **Function packaging**
    - On the **Code Generation** tab, **User specified** is selected for **Function name options**
    - On the **Code Generation** tab, **myfun** is specified for **Function name**
    - On the **Code Generation** tab, **Use function name** is specified for **File name options**
  - b In the Subsystem Parameters dialog box, on the **Code Generation** tab, select the option **Function with separate data**. Click **Apply** to apply the change and click **OK** to exit the dialog box.
  - c Save this model variant, using a different name than the first variant, to a personal work directory, for example, `rtwdemo_atomic2` in `d:/atomic`.
- 7 Generate code for each model, `rtwdemo_atomic1` and `rtwdemo_atomic2`.
- 8 In the generated code directories, compare the `model.c/.h` and `myfun.c/.h` files generated for the two models. For code comparison discussion, see “H File Differences for Nonvirtual Subsystem Function Data Separation” on page 12-65 and “H File Differences for Nonvirtual Subsystem Function Data Separation” on page 12-65“C File Differences for Nonvirtual Subsystem Function Data Separation” on page 12-66.

In this example, there are not significant differences in the generated variants of `ert_main.c`, `model_private.h`, `model_types.h`, or `rtwtypes.h`.

## H File Differences for Nonvirtual Subsystem Function Data Separation

The differences between the H files generated for `rtwdemo_atomic1` and `rtwdemo_atomic2` help illustrate the selection of the **Function with separate data** option for nonvirtual subsystems.

- 1 Selecting **Function with separate data** causes typedefs for subsystem data to be generated in the `myfun.h` file for `rtwdemo_atomic2`:

```
/* Block signals for system '<Root>/SS1' */
typedef struct {
    real_T Integrator;          /* '<S1>/Integrator' */
} rtB_myfun;

/* Block states (auto storage) for system '<Root>/SS1' */
typedef struct {
    real_T Integrator_DSTATE;  /* '<S1>/Integrator' */
} rtDW_myfun;
```

By contrast, for `rtwdemo_atomic1`, typedefs for subsystem data belong to the model and appear in `rtwdemo_atomic1.h`:

```
/* Block signals (auto storage) */
typedef struct {
    ...
    real_T Integrator;          /* '<S1>/Integrator' */
} BlockIO_rtwdemo_atomic1;

/* Block states (auto storage) for system '<Root>' */
typedef struct {
    real_T Integrator_DSTATE;  /* '<S1>/Integrator' */
} D_Work_rtwdemo_atomic1;
```

- 2 Selecting **Function with separate data** generates the following external declarations in the `myfun.h` file for `rtwdemo_atomic2`:

```
/* Extern declarations of internal data for 'system '<Root>/SS1' */
extern rtB_myfun rtwdemo_atomic2_myfunB;

extern rtDW_myfun rtwdemo_atomic2_myfunDW;

extern void myfun_initialize(void);
```

By contrast, the generated code for `rtwdemo_atomic1` contains model-level external declarations for the subsystem's `BlockIO` and `D_Work` data, in `rtwdemo_atomic1.h`:

```
/* Block signals (auto storage) */
extern BlockIO_rtwdemo_atomic1 rtwdemo_atomic1_B;

/* Block states (auto storage) */
extern D_Work_rtwdemo_atomic1 rtwdemo_atomic1_DWork;
```

### C File Differences for Nonvirtual Subsystem Function Data Separation

The differences between the C files generated for `rtwdemo_atomic1` and `rtwdemo_atomic2` illustrate the selection of the **Function with separate data** option for nonvirtual subsystems.

- 1 Selecting **Function with separate data** causes a separate subsystem initialize function, `myfun_initialize`, to be generated in the `myfun.c` file for `rtwdemo_atomic2`:

```
void myfun_initialize(void) {
    {
        ((real_T*)&rtwdemo_atomic2_myfunB.Integrator)[0] = 0.0;
    }
    rtwdemo_atomic2_myfunDW.Integrator_DSTATE = 0.0;
}
```

The subsystem initialize function in `myfun.c` is invoked by the model initialize function in `rtwdemo_atomic2.c`:

```
/* Model initialize function */

void rtwdemo_atomic2_initialize(void)
{
    ...

    /* Initialize subsystem data */
    myfun_initialize();
}
```

By contrast, for `rtwdemo_atomic1`, subsystem data is initialized by the model initialize function in `rtwdemo_atomic1.c`:

```
/* Model initialize function */

void rtwdemo_atomic1_initialize(void)
{
```

```

...
  /* block I/O */
  {
    ...
    ((real_T*)&rtwdemo_atomic1_B.Integrator)[0] = 0.0;
  }

  /* states (dwork) */

  rtwdemo_atomic1_DWork.Integrator_DSTATE = 0.0;
  ...
}

```

- 2** Selecting **Function with separate data** generates the following declarations in the `myfun.c` file for `rtwdemo_atomic2`:

```

/* Declare variables for internal data of system '<Root>/SS1' */
rtB_myfun rtwdemo_atomic2_myfunB;

rtDW_myfun rtwdemo_atomic2_myfunDW;

```

By contrast, the generated code for `rtwdemo_atomic1` contains model-level declarations for the subsystem's `BlockIO` and `D_Work` data, in `rtwdemo_atomic1.c`:

```

/* Block signals (auto storage) */
BlockIO_rtwdemo_atomic1 rtwdemo_atomic1_B;

/* Block states (auto storage) */
D_Work_rtwdemo_atomic1 rtwdemo_atomic1_DWork;

```

- 3** Selecting **Function with separate data** generates identifier naming that reflects the subsystem orientation of data items. Notice the references to subsystem data in subsystem functions such as `myfun` and `myfun_update` or in the model's `model_step` function. For example, compare this code from `myfun` for `rtwdemo_atomic2`

```

/* DiscreteIntegrator: '<S1>/Integrator' */
rtwdemo_atomic2_myfunB.Integrator = rtwdemo_atomic2_myfunDW.Integrator_DSTATE;

```

to the corresponding code from `myfun` for `rtwdemo_atomic1`.

```

/* DiscreteIntegrator: '<S1>/Integrator' */
rtwdemo_atomic1_B.Integrator = rtwdemo_atomic1_DWork.Integrator_DSTATE;

```

## Nonvirtual Subsystem Modular Function Code Limitations

The nonvirtual subsystem option **Function with separate data** has the following limitations:

- The **Function with separate data** option is available only in ERT-based Simulink models (requires a Embedded Coder license).
- The nonvirtual subsystem to which the option is applied cannot have multiple sample times or continuous sample times; that is, the subsystem must be single-rate with a discrete sample time.
- The nonvirtual subsystem cannot contain continuous states.
- The nonvirtual subsystem cannot output function call signals.
- The nonvirtual subsystem cannot contain noninlined S-functions.
- The generated files for the nonvirtual subsystem will reference model-wide header files, such as *model.h* and *model\_private.h*.
- The **Function with separate data** option is incompatible with the **Classic call interface** option, located on the **Code Generation > Interface** pane of the Configuration Parameters dialog box. Selecting both generates an error.
- The **Function with separate data** option is incompatible with setting **Code interface packaging** to Reusable function (**Code Generation > Interface** pane). Selecting both generates an error.



# Memory Sections

---

- “Control Data and Function Placement in Memory by Inserting Pragmas” on page 13-2
- “Declare Constant Data as Volatile Using Memory Sections” on page 13-18

## Control Data and Function Placement in Memory by Inserting Pragmas

### In this section...

“Define Memory Sections” on page 13-3

“Apply Memory Sections” on page 13-6

“Generated Code with Memory Sections” on page 13-13

“Insert Pragmas for Functions and Data in Generated Code” on page 13-16

Some hardware targets run code more efficiently if different kinds of data and functions are stored in specific locations in computer memory. A *memory section* is a named collection of properties related to placement of an object in memory; for example, in RAM, ROM, or flash memory. Memory section properties let you specify storage directives for model signals, block parameters, and states. For example, you can specify `const` declarations, or compiler-specific `#pragma` statements for allocation of storage in ROM or flash memory sections.

The Embedded Coder software provides a memory section capability that allows you to insert comments and pragmas and to qualify constants as `volatile` in the generated code for:

- Data in custom storage classes
- Model-level functions
- Model-level internal data
- Subsystem functions
- Subsystem internal data

Pragmas inserted into the generated code can surround:

- A contiguous block of function or data definitions
- Each function or data definition separately

When pragmas surround each function or data definition separately, the text of each pragma can contain the name of the definition to which it applies.

To apply a memory section to groups of data or to model functions such as `initialize` and `step`, you use the Configuration Parameters dialog box. To apply a memory

section to individual signals and parameters, you must associate the memory section with a custom storage class. For more information about custom storage classes, see “Introduction to Custom Storage Classes” on page 10-2.

## Define Memory Sections

- “Edit Memory Section Properties” on page 13-3
- “Specify the Memory Section Name” on page 13-4
- “Specify Comment and Pragma Text” on page 13-5
- “Surround Individual Definitions with Pragmas” on page 13-5
- “Include Identifier Names in Pragmas” on page 13-5
- “Specify a Qualifier for Custom Storage Class Data Definitions” on page 13-6

To define memory sections, you must create a data class package using MATLAB class syntax. For more information about creating a data class package, see “Define Data Classes” in the Simulink documentation.

### Edit Memory Section Properties

To create new memory sections or specify memory section properties:

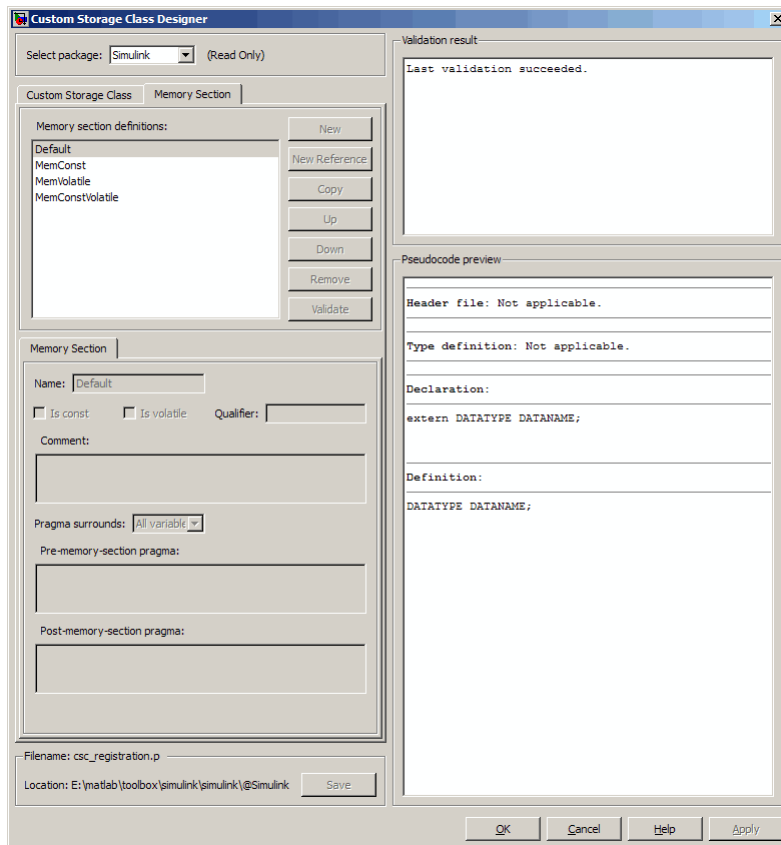
- 1 Choose **View > Model Explorer** in the model window.

The Model Explorer appears.

- 2 Choose **Tools > Custom Storage Class Designer** in the Model Explorer window.

A notification box appears that states **Please Wait ... Finding Packages**. After a brief pause, the notification box closes and the Custom Storage Class Designer appears.

- 3 Click the **Memory Section** tab of the Custom Storage Class Designer. The **Memory Section** pane initially looks like this:



- 4 If you intend to create or change memory section definitions, use the **Select package** field to select a writable package.

For more detailed information about the controls on the **Memory Section** pane, see “Design Custom Storage Classes and Memory Sections” on page 10-9.

### Specify the Memory Section Name

To specify the name of a memory section, use the **Name** field. A memory section name must be a legal MATLAB identifier.

### Specify Comment and Pragma Text

To specify a comment, prepragma, or postpragma for a memory section, enter the comment in the text boxes on the left side of the Custom Storage Class Designer. In the text boxes, you can type multiple lines separated by ordinary Returns.

### Surround Individual Definitions with Pragma

If the **Pragma surrounds** field for a memory section specifies **Each variable**, the code generator will surround each definition in a contiguous block of definitions with the comment, prepragma, and postpragma defined for the section.

If the **Pragma surrounds** field for a memory section specifies **All variables**, the code generator will insert the comment and prepragma for the section before the first definition in a contiguous block of custom storage class data definitions, and the postpragma after the last definition in the block.

---

**Note:** Specifying **All variables** affects only custom storage class data definitions. For other definition categories, the code generator surrounds each definition separately regardless of the value of **Pragma surrounds**.

---

### Include Identifier Names in Pragma

When pragmas surround each separate definition in a contiguous block, you can include the string `%<identifier>` in a pragma. The string must appear without surrounding quotes.

- When `%<identifier>` appears in a prepragma, the code generator will substitute the identifier from the subsequent function or data definition.
- When `%<identifier>` appears in a postpragma, the code generator will substitute the identifier from the previous function or data definition.

You can use `%<identifier>` with pragmas *only* when pragmas to surround each variable. The **Validate** phase will report an error if you violate this rule.

---

**Note:** Although `%<identifier>` looks like a TLC variable, it is not: it is just a keyword that directs the code generator to substitute the applicable data definition identifier when it outputs a pragma. TLC variables cannot appear in pragma specifications in the **Memory Section** pane.

---

### Specify a Qualifier for Custom Storage Class Data Definitions

To specify a qualifier for custom storage class data definitions in a memory section, enter the components of the qualifier below the **Name** field.

- To specify `const`, check **Is const**.
- To specify `volatile`, check **Is volatile**.
- To specify anything else (e.g., `static`), enter the text in the **Qualifier** field.

The qualifier will appear in generated code with its components in the same left-to-right order in which their definitions appear in the dialog box. A preview appears in the **Pseudocode preview** subpane on the lower right.

---

**Note:** Specifying a qualifier affects only custom storage class data definitions. The code generator omits the qualifier from other definition categories.

---

### Apply Memory Sections

- “Assign Memory Sections to Custom Storage Classes” on page 13-6
- “Apply Memory Sections to Model-Level Functions and Internal Data” on page 13-8
- “Apply Memory Sections to Atomic Subsystems” on page 13-10

### Assign Memory Sections to Custom Storage Classes

To assign a memory section to a custom storage class,

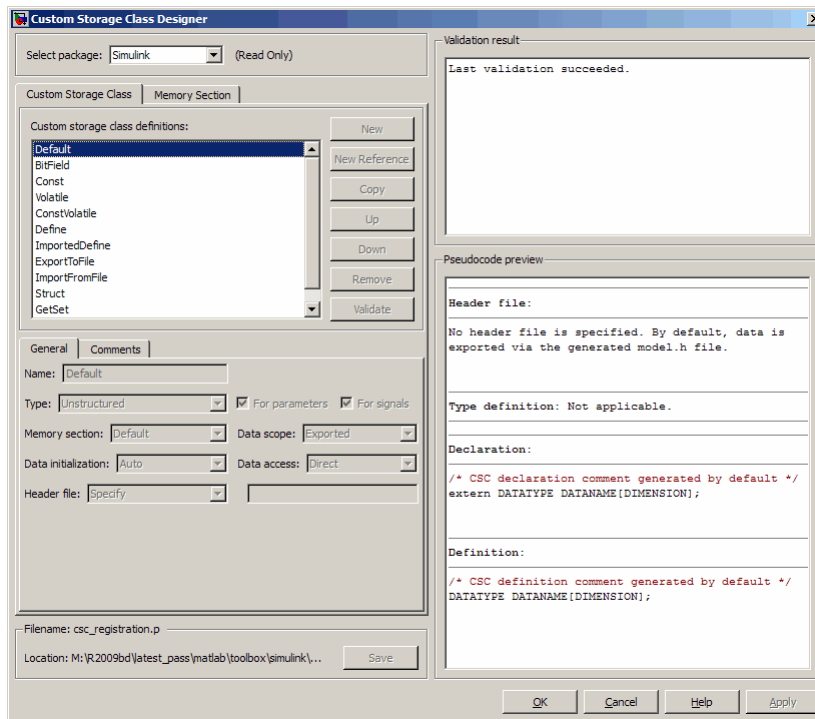
- 1** Choose **View > Model Explorer** in the model window.

The Model Explorer appears.

- 2** Choose **Tools > Custom Storage Class Designer** in the Model Explorer window.

A notification box appears that states **Please Wait ... Finding Packages**. After a brief pause, the notification box closes and the Custom Storage Class Designer appears.

- 3** Select the **Custom Storage Class** tab. The **Custom Storage Class** pane initially looks like this:



- 4 Use the **Select package** field to select a writable package. The rest of this section assumes that you have selected a writable package.
- 5 Select the desired custom storage class in the **Custom storage class definitions** pane.
- 6 Select the desired memory section from the **Memory section** pull-down.
- 7 Click **Apply** to apply changes to the open copy of the model; **Save** to apply changes and save them to disk; or **OK** to apply changes, save changes, and close the Custom Storage Class Designer.

Generated code for data definitions in the specified custom storage class are enclosed in the pragmas of the specified memory section. The pragmas can surround contiguous blocks of definitions or each definition separately, as described in “Surround Individual Definitions with Pragmas” on page 13-5. For more information, see “Design Custom Storage Classes and Memory Sections” on page 10-9.

---

**Note:** The code generator does not generate a `pragma` around definitions or declarations for data that has the following built-in storage classes:

- `ExportedGlobal`
- `ImportedExtern`
- `ImportedExternPointer`

The code generator treats data with these built-in storage classes like custom storage classes without a specified memory section.

---

### Apply Memory Sections to Model-Level Functions and Internal Data

The table shows the categories of model-level functions to which you can apply memory sections.

Function Category	Functions Included in Memory Section
Initialize/Terminate functions	Initialize/Start
	Terminate
Execution functions	Step functions
	Run-time initialization
	Derivative
	Enable
	Disable
Shared utility functions	Shared utility functions, such as those generated for model references

The table shows the categories of internal data to which you can apply memory sections. The specified memory section applies to the corresponding global data structures in the generated code. For basic information about the global data structures, see “Default Data Structures in the Generated Code”.

Data Category	Data Included in Memory Section
Constants	Constant block parameters
	Block inputs and outputs that have constant values

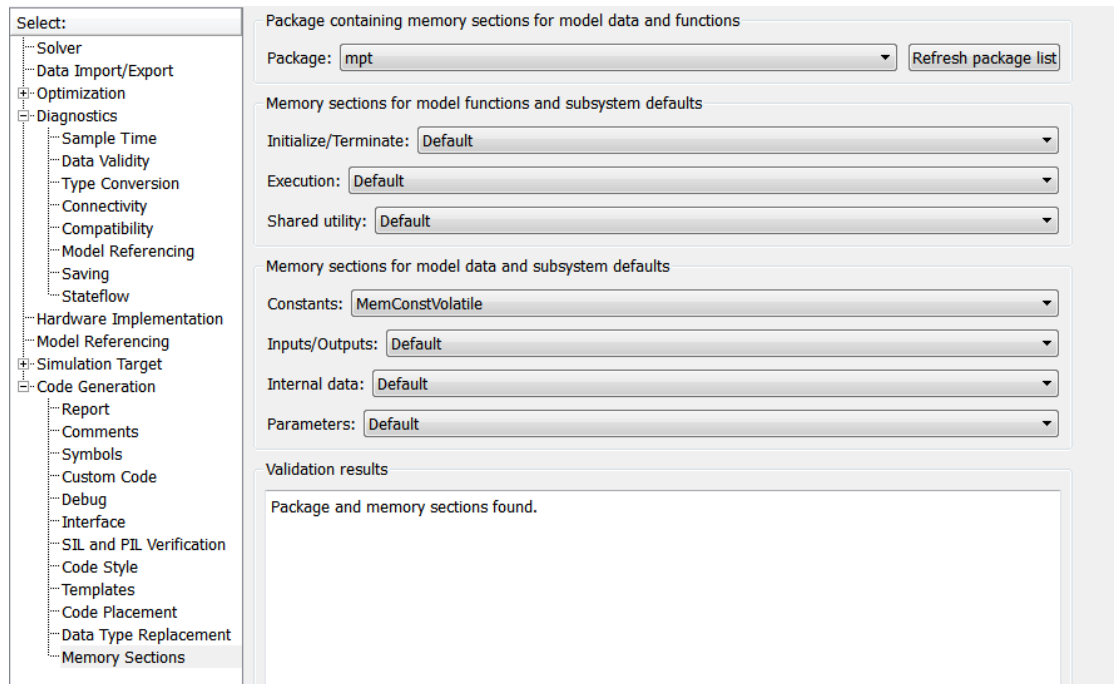


Data Category	Data Included in Memory Section
Input/Output	Root inputs
	Root outputs
Internal data	Block input and output signals
	DWork vectors
	Zero-crossings
Parameters	Block parameters

Memory section specifications for model-level functions and internal data apply to the top level of the model and to its subsystems. However, these specifications are not applicable to atomic subsystems that contain overriding memory section specifications, as described in “Apply Memory Sections to Atomic Subsystems” on page 13-10.

To specify memory sections for model-level functions or internal data,

- 1 Open the Configuration Parameters dialog box and select **Code Generation > General**.
- 2 Specify the **System target file** as an ERT target, such as `ert.tlc`.
- 3 Select **Memory Sections**. The **Memory Sections** pane looks like this:



- 4 Initially, the **Package** field specifies - - -None - - - and the pull-down lists only built-in packages. If you have defined packages of your own, click **Refresh package list**. This action adds user-defined packages on your search path to the package list.
- 5 In the **Package** pull-down, select the package that contains the memory sections that you want to apply.
- 6 In the pull-down for each category of internal data and model-level function, specify the memory section that you want to apply to that category. Accepting or specifying **Default** omits specifying memory section for that category.
- 7 Click **Apply** to save changes to the package and memory section selections.

### Apply Memory Sections to Atomic Subsystems

For atomic subsystem whose **Function packaging** is **Nonreusable function** or **Reusable function**, you can specify memory sections for functions and internal data that exist in that code interface packaging. Such specifications override model-level memory section specifications. Such overrides apply only to the atomic subsystem itself,

not to subsystems within it. Subsystems of an atomic subsystem inherit memory section specifications from the containing model, *not* from the containing atomic subsystem.

The memory section that you specify for internal data applies to the corresponding global data structures in the generated code. For basic information about the global data structures generated for atomic subsystems, see “Default Data Structures in the Generated Code”.

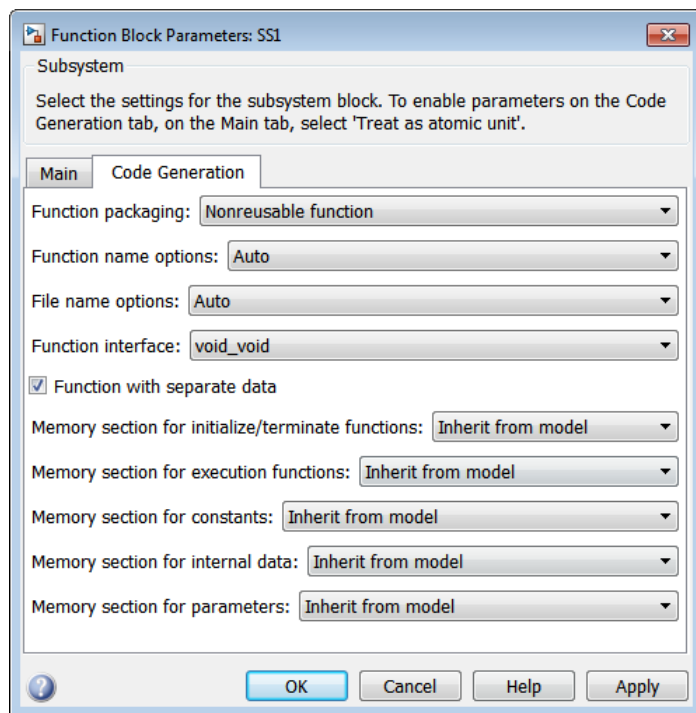
To specify memory sections for an atomic subsystem,

- 1 Right-click the subsystem in the model window.
- 2 Choose **Subsystem Parameters** from the context menu. The Function Block Parameters: *Subsystem* dialog box appears.
- 3 Select the **Treat as atomic unit** checkbox. If it is not selected, you cannot specify memory sections for the subsystem.

For an atomic system, on the **Code Generation** tab, you can use the **Function packaging** field to control the format of the generated code.

- 4 Specify **Function packaging** as **Nonreusable function** or **Reusable function**. Otherwise, you cannot specify memory sections for the subsystem.
- 5 If the **Function packaging** is **Reusable function** and you want separate data, check **Function with separate data**.

The **Code Generation** tab now shows applicable memory section options. The available options depend on the values of **Function packaging** and the **Function with separate data** check box. When the former is **Nonreusable function** and the latter is checked, the pane looks like this:



- 6 In the pull-down for each available definition category, specify the memory section that you want to apply to that category.
  - Selecting **Inherit from model** inherits the corresponding selection from the model level (not parent subsystem).
  - Selecting **Default** specifies that the category does not have an associated memory section, overriding model-level specifications for that category.
- 7 Click **Apply** to save changes, or **OK** to save changes and close the dialog box.

---

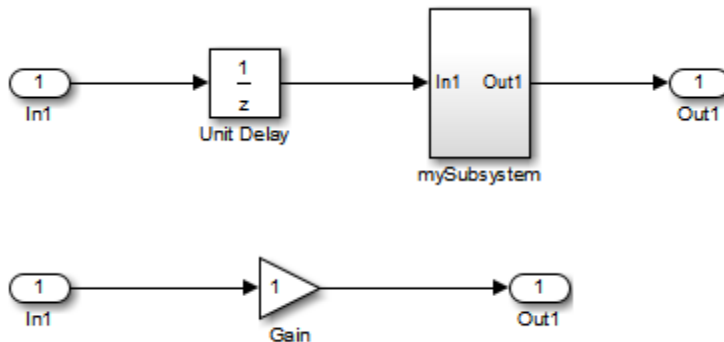
**Caution** If you use **Build This Subsystem** or **Build Selected Subsystem** to generate code for an atomic subsystem that specifies memory sections, the code generator ignores the subsystem-level specifications and uses the model-level specifications instead. The generated code is the same as if the atomic subsystem specified **Inherit from model** for every category of definition. For information about building subsystems, see “Generate Code and Executables for Individual Subsystem”.

---

It is not possible to specify the memory section for a subsystem in a library. However, you can specify the memory section for the subsystem after you have copied it into a Simulink model. This is because in the library it is unknown what code generation target will be used. You can copy a library block into many different models with different code generation targets and different memory sections available.

## Generated Code with Memory Sections

The next figures show an ERT-based Simulink model that defines one subsystem, `mySubsystem`, and then the contents of that subsystem.



Assume that the subsystem is atomic. On the **Code Generation** tab, the **Function packaging** parameter is **Reusable function**. Memory sections have been created and assigned as shown in the next two tables; here, data memory sections specify **Pragma surrounds** to be **Each variable**.

### Model-Level Memory Section Assignments and Definitions

Section Assignment	Section Name	Field Name	Field Value
Input/Output	MemSect1	Prepragma	#pragma IO-begin
		Postpragma	#pragma IO-end
Internal data	MemSect2	Prepragma	#pragma InData-begin(%<identifier>)
		Postpragma	#pragma InData-end
Parameters	MemSect3	Prepragma	#pragma Parameters-begin
		Postpragma	#pragma Parameters-end

Section Assignment	Section Name	Field Name	Field Value
Initialize/ Terminate	MemSect4	Prepragma	#pragma InitTerminate-begin
		Postpragma	#pragma InitTerminate-end
Execution functions	MemSect5	Prepragma	#pragma ExecFunc-begin(%<identifier>)
		Postpragma	#pragma ExecFunc-end(%<identifier>)

### Subsystem-Level Memory Section Assignments and Definitions

Section Assignment	Section Name	Field Name	Field Value
Execution functions	MemSect6	Prepragma	#pragma DATA_SEC(%<identifier>, "FAST_RAM")
		Postpragma	

Given the preceding specifications and definitions, the code generator would create the following code, with minor variations depending on the current version of the Target Language Compiler.

#### Model-Level Data Structures

```
#pragma IO-begin
ExternalInputs_mySample mySample_U;
#pragma IO-end

#pragma IO-begin
ExternalOutputs_mySample mySample_Y;
#pragma IO-end

#pragma InData-begin(mySample_B)
BlockIO_mySample mySample_B;
#pragma InData-end

#pragma InData-begin(mySample_DWork)
D_Work_mySample mySample_DWork;
#pragma InData-end

#pragma InData-begin(mySample_M_)
RT_MODEL_mySample mySample_M_;
#pragma InData-end

#pragma Parameters-begin
```

```
Parameters_mySample mySample_P = {
    1.0 , {2.3}
};
#pragma Parameters-end
```

### Model-Level Functions

```
#pragma ExecFunc-begin(mySample_step)
void mySample_step(void)
{
    mySample_B.UnitDelay = mySample_DWork.UnitDelay_DSTATE;
    mySample_mySubsystem();
    mySample_DWork.UnitDelay_DSTATE = mySample_U.In1;
}
#pragma ExecFunc-end(mySample_step)

#pragma InitTerminate-begin
void mySample_initialize(void)
{
    mySample_U.In1 = 0.0;
    mySample_Y.Out1 = 0.0;
    mySample_DWork.UnitDelay_DSTATE = mySample_P.UnitDelay_InitialCondition;
}
#pragma InitTerminate-end
```

### Subsystem Function

Because the subsystem specifies a memory section for execution functions that overrides that of the parent model, subsystem code looks like this:

```
#pragma DATA_SEC(mySample_mySubsystem, "FAST_RAM")
void mySample_mySubsystem(void)
{
    mySample_Y.Out1 = mySample_P.Gain_Gain * mySample_B.UnitDelay;
}
```

If the subsystem had not defined its own memory section for execution functions, but inherited that of the parent model, the subsystem code would have looked like this:

```
#pragma ExecFunc-begin(mySample_mySubsystem)
void mySample_mySubsystem(void)
{
    mySample_Y.Out1 = mySample_P.Gain_Gain * mySample_B.UnitDelay;
}
```

```
#pragma ExecFunc-end(mySubsystem)
```

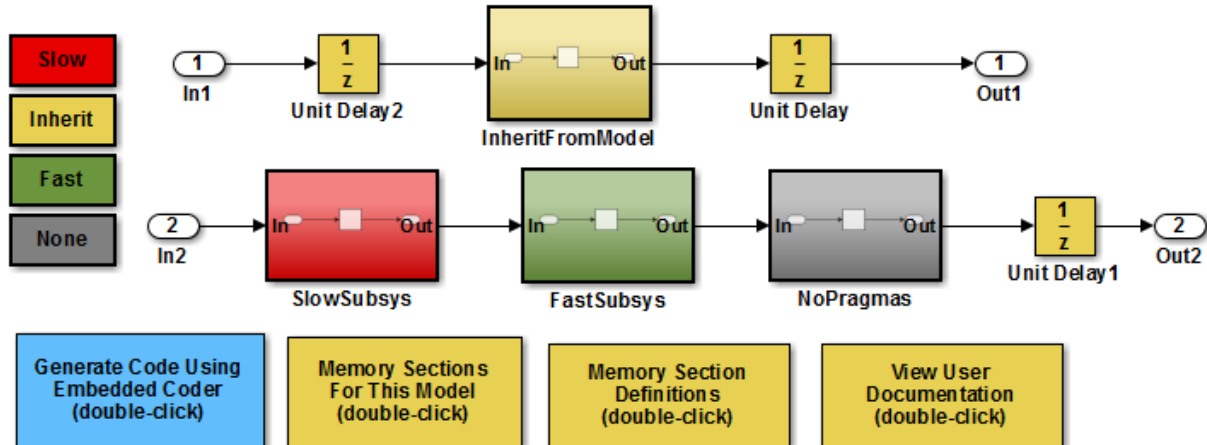
## Insert Pragmas for Functions and Data in Generated Code

This model shows how to insert pragmas for functions and data in generated code.

### Explore Example Model

Open the example model.

```
open_system('rtwdemo_memsec')
```



Copyright 1994-2015 The MathWorks, Inc.

### Instructions

- 1 Learn about memory sections by clicking the documentation link in the model.
- 2 View the memory sections in the ECoderDemos package by clicking the button in the model and then selecting the **Memory Sections** tab.
- 3 View the memory sections selected for this model by clicking the button in the model. The model-level settings are also the default settings for atomic subsystems.
- 4 Open the SubSystem Parameters dialog for the subsystems to see the memory section settings for each of the atomic subsystems in the model.



- 5 Generate code by clicking the button in the model. An HTML report is displayed automatically. Inspect the data and function definitions in the .c files and observe how the generated pragmas correspond to the specified memory sections.

### **Related Examples**

- “Control Data Representation by Applying Custom Storage Classes” on page 10-35
- “Design Custom Storage Classes and Memory Sections” on page 10-9
- “Declare Constant Data as Volatile Using Memory Sections” on page 13-18
- “Default Data Structures in the Generated Code”

## Declare Constant Data as Volatile Using Memory Sections

In the C language, the value of data declared with the storage type qualifier, `volatile`, can be read from memory and written back to memory when changed without compiler control or detection. Examples of use include variables for initialization at system power-up or for system clock updates.

You can add the `volatile` qualifier to type definitions generated in code for model constant block I/O, constant parameters, and ground data (zero representation).

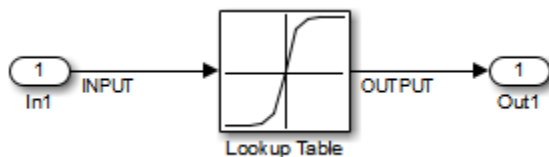
To add the `volatile` qualifier to type definitions, you must configure your model as follows:

- Specify an ERT target
- Set the memory section for constant data to `MemVolatile` or `MemConstVolatile`

If you choose to add the `volatile` qualifier to type definitions in your generated code, note the following:

- If constant data that is qualified with `volatile` is passed by pointer, the code generator casts away the volatility. This occurs because generated functions assume that data values do not change during execution and, therefore, pass their arguments as `const *` (not `const volatile *`).
- If a variable must be declared `const` and you specify `MemVolatile`, the code generator declares the variable with the `const` and `volatile` qualifiers.
- If you set `Constants` to `MemConst` or `MemConstVolatile`, and a variable cannot be declared as constant data, a TLC warning appears and the code generator does not qualify the variable with `const`.

Consider the following simple lookup table model.



- 1 On the Configuration Parameters dialog box, In the **Code Generation** pane, set **System target file** to `ert.tlc`.

- 2 In the **Code Generation > Memory Sections** pane, set **Package** to Simulink, and **Constants** to MemConstVolatile.
- 3 Open the Signal Properties dialog box for signal INPUT. On the **Code Generation** tab, set **Storage class** to ExportedGlobal for storing state in a global variable.
- 4 Generate code. You should see the `volatile` qualifier in the generated files `model_data.c` and `model.h`.

`model_data.c`

```

/* Constant parameters (auto storage) */
/* ConstVolatile memory section */
const volatile ConstParam_simple_lookup simple_lookup_ConstP = {
  /* Expression: [-5:5]
   * Referenced by: '<Root>/Lookup Table'
   */
  { -5.0, -4.0, -3.0, -2.0, -1.0, 0.0, 1.0, 2.0, 3.0, 4.0, 5.0 },

  /* Expression: tanh([-5:5])
   * Referenced by: '<Root>/Lookup Table'
   */
  { -0.99990920426259511, -0.999329299739067,
    -0.99505475368673046, -0.9640275800758169,
    -0.76159415595576485, 0.0, 0.76159415595576485,
    0.9640275800758169, 0.99505475368673046,
    0.999329299739067, 0.99990920426259511 }
};

```

`model.h`

```

/* Real-time Model Data Structure */
struct RT_MODEL_simple_lookup {
  const char_T * volatile errorStatus;
};

/* Constant parameters (auto storage) */
extern const volatile ConstParam_simple_lookup simple_lookup_ConstP;

```

Also note in the `model.c` file that a typecast is inserted in the `rt_Lookup` function call, removing the `volatile` qualifier.

```

/* Lookup: '<Root>/Lookup Table' incorporates:
 * Inport: '<Root>/In1'
 */

```

```
OUTPUT = rt_Lookup(((const real_T*)
    &simple_lookup_ConstP.LookupTable_XData[0]), 11, INPUT, ((
    const real_T*) &simple_lookup_ConstP.LookupTable_YData[0]));
```

### Related Examples

- “Control Data Representation by Applying Custom Storage Classes” on page 10-35
- “Default Data Structures in the Generated Code”

# Code Generation



# Configuration

---

- “Configure Model for Code Generation Objectives Using Code Generation Advisor” on page 14-2
- “Configure Code Generation Objectives Programmatically” on page 14-9
- “Check Model and Configuration for Code Generation” on page 14-10
- “Embedded Coder Model Advisor Checks for Standards, Guidelines, and Code Efficiency” on page 14-12
- “Create Custom Code Generation Objectives” on page 14-14
- “Configuration Variations” on page 14-20
- “Configure and Optimize Model with Configuration Wizard Blocks” on page 14-21
- “Create a Model Configured for Code Generation Using Embedded Coder Templates” on page 14-31

## Configure Model for Code Generation Objectives Using Code Generation Advisor

### In this section...

“High-Level Code Generation Objectives” on page 14-3

“Specify Objectives in Referenced Models” on page 14-4

“Configure Model Using Code Generation Advisor” on page 14-4

“Configure Model for Code Generation Objectives Using Configuration Parameters Dialog Box” on page 14-7

Consider how your application objectives, such as efficiency, traceability, and safety, map to code generation options in a model configuration set. Parameters that you set in the **Solver**, **Data Import/Export**, **Diagnostics**, and **Code Generation** panes of the Configuration Parameters dialog box specify the behavior of a model in simulation and the code generated for the model.

You can use the Code Generation Advisor to review a model before generating code, or as part of the code generation process. When you choose to review a model before generating code, you specify which model, subsystem, or referenced model the Code Generation Advisor reviews. When you choose to review a model as part of the code generation process, the Code Generation Advisor reviews the entire system. The Code Generation Advisor uses the information presented in “Recommended Settings Summary” to determine the values. When there is a conflict due to multiple objectives, the higher-priority objective takes precedence.

Setting code generation objectives and running the Code Generation Advisor provides information on how to meet code generation objectives for your model. The Code Generation Advisor does not alter the generated code. You can use the Code Generation Advisor to make the suggested changes to your model. The generated code is changed only after you modify your model and regenerate code. If you use the Code Generation Advisor to set code generation objectives and check your model, the generated code includes comments identifying which objectives you specified, the checks the Code Generation Advisor ran on the model, and the results of running the checks.

If a model uses a configuration reference, you can run the Code Generation Advisor to review your configuration parameter settings, but the Code Generation Advisor cannot modify the configuration parameter settings.



## High-Level Code Generation Objectives

Depending on the type of application that your model represents, you are likely to have specific high-level code generation objectives. For example, safety and traceability might be more critical than efficient use of memory. If you have specific objectives, you can quickly configure your model to meet those objectives by selecting and prioritizing from these code generation objectives:

- Execution efficiency (all targets) — Configure code generation settings to achieve fast execution time.
- ROM efficiency (ERT-based targets) — Configure code generation settings to reduce ROM usage.
- RAM efficiency (ERT-based targets) — Configure code generation settings to reduce RAM usage.
- Traceability (ERT-based targets) — Configure code generation settings to provide mapping between model elements and code.
- Safety precaution (ERT-based targets) — Configure code generation settings to increase clarity, determinism, robustness, and verifiability of the code.
- Debugging (all targets) — Configure code generation settings to debug the code generation build process.
- MISRA C:2012 guidelines (ERT-based targets) — Configure code generation settings to increase compliance with MISRA C:2012 guidelines.
- Polyspace (ERT-based targets) — Configure code generation settings to prepare the code for Polyspace® analysis.

---

**Note:** If you select the MISRA C:2012 guidelines code generation objective, the Code Generation Advisor checks:

- The model configuration settings for compliance with the MISRA C:2012 configuration setting recommendations.
  - For blocks that are not supported or recommended for MISRA C:2012 compliant code generation.
-


## Specify Objectives in Referenced Models

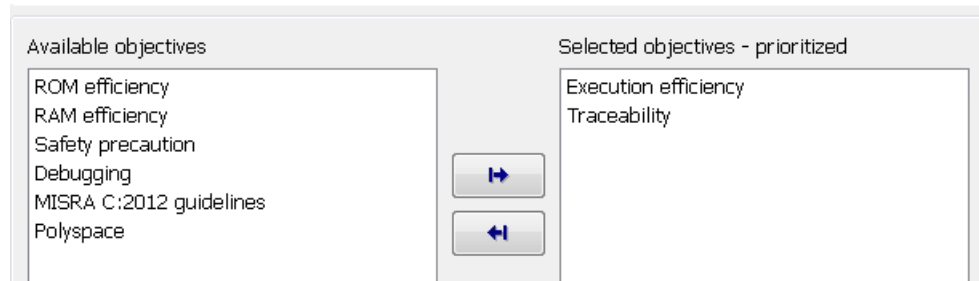
When you check a model during the code generation process, you must specify the same objectives in the top model and referenced models. If you specify different objectives for the top model and referenced model, the build process generates an error.

To specify different objectives for the top model and each referenced model, review the models separately without generating code.

## Configure Model Using Code Generation Advisor

This example shows how to use the Code Generation Advisor to check and configure your model to meet code generation objectives:

- 1 On the menu bar, select **Code > C/C++ Code > Code Generation Advisor**.  
Alternatively:
  - On the toolbar  drop-down list, select **Code Generation Advisor**.
  - Right-click a subsystem, and then select **C/C++ Code > Code Generation Advisor**. Go to step 3.
- 2 In the System Selector window, select the model or subsystem that you want to review, and then click **OK**.
- 3 In the Code Generation Advisor, on the **Code Generation Objectives** pane, select the code generation objectives. As you select objectives, on the left pane, the Code Generation Advisor updates the list of checks it will run on your model. If your model is configured with an ERT-based target, more objectives are available. For this example, the model is configured with an ERT-based target. If your objectives are execution efficiency and traceability, in that priority, do the following:
  - a In **Available objectives**, double-click **Execution efficiency**. **Execution efficiency** is added to **Selected objectives - prioritized**.
  - b In **Available objectives**, double-click **Traceability**. **Traceability** is added to **Selected objectives - prioritized** below **Execution efficiency**.



- 4 Click **Run Selected Checks** to run the checks listed in the left pane of the Code Generation Advisor.
- 5 In the Code Generation Advisor window, review the results for **Check model configuration settings against code generation objectives** by selecting it from the left pane. The results for that check are displayed in the right pane.

**Check model configuration settings against code generation objectives** triggers a warning for either of these reasons:

- Parameters are set to values other than the value recommended for the specified code generation objectives.
- Selected code generation objectives differ from the objectives set in the model.


Click **Modify Parameters** to set:

- Parameter to the value recommended for the specified code generation objectives.
- Code generation objectives in the model to the objectives specified in the Code Generation Advisor.

**Check model configuration settings against code generation objectives**

Analysis

Check model configuration settings against the code generation objectives. Successfully passing this check may take multiple iterations since a change to one option can impact other options.

Result:  Warning

**Current Objectives:** [Execution efficiency](#), [Traceability](#)

The code generation objectives differ from the objectives set in the model (Unspecified). Click the 'Modify Parameters' button to store the current objectives in the model.

The following parameter values are not optimized for the selected objectives.

To automatically fix the warning, click the 'Modify Parameters' button and then rerun the check. To manually fix the warning, click the parameter hyperlink to open the Configuration Parameters dialog box, and manually apply the recommended value.

Parameter	Current Value	Recommended Value
<a href="#">Suppress error status in real-time model data structure</a>	off	on
<a href="#">non-finite numbers</a>	on	off
<a href="#">Remove root level I/O zero initialization</a>	off	on

- 6 In the Code Generation Advisor window, review the results for the remaining checks by selecting them from the left pane. The right pane populates the results for the checks.
- 7 After reviewing the check results, you can choose to fix warnings and failures, as described in “Fix a Model Check Warning or Failure”.

---

**Note:** When you specify an efficiency or Safety precaution objective, the Code Generation Advisor includes additional checks.

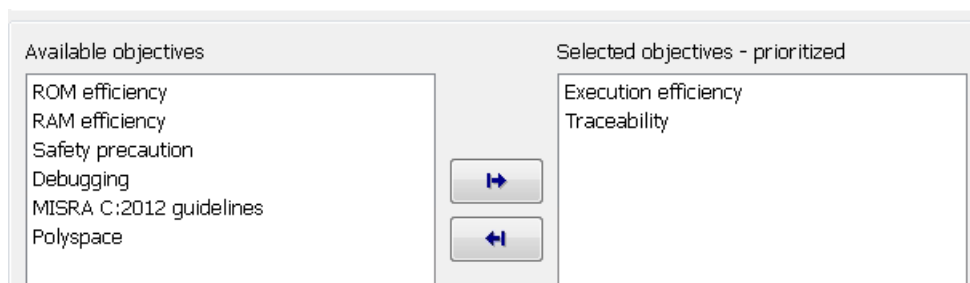
When you make changes to one check, the other check results could become invalid. You must run the checks again.

---

## Configure Model for Code Generation Objectives Using Configuration Parameters Dialog Box

This example shows how to configure and check your model to meet code generation objectives using the Configuration Parameters dialog box:

- 1 Open the Configuration Parameters dialog box. Select **Code Generation**.
- 2 Specify a system target file. If you specify an ERT-based target, more objectives are available. For this example, choose an ERT-based target such as `ert.tlc`.
- 3 Click **Set Objectives**.
- 4 In the “Set Objectives — Code Generation Advisor Dialog Box”, specify your objectives. For example, if your objectives are execution efficiency and traceability, in that priority, do the following:
  - a In **Available objectives**, double-click **Execution efficiency**. **Execution efficiency** is added to **Selected objectives - prioritized**.
  - b In **Available objectives**, double-click **Traceability**. **Traceability** is added to **Selected objectives - prioritized** below **Execution efficiency**.




- c Click **OK** to accept the objectives. In the Configuration Parameters dialog box, **Code Generation > General > Prioritized objectives** is updated.
- 5 On the **Configuration Parameters > Code Generation > General** pane, click **Check Model**.
  - 6 In the System Selector window, select the model or subsystem that you want to review, and then click **OK**. The Code Generation Advisor opens and reviews the model or subsystem that you specified.
  - 7 In the Code Generation Advisor window, review the results by selecting a check from the left pane. The right pane populates the results for that check.

**Check model configuration settings against code generation objectives**

Analysis

Check model configuration settings against the code generation objectives. Successfully passing this check may take multiple iterations since a change to one option can impact other options.

Result:  Warning

**Current Objectives:** [Execution efficiency](#), [Traceability](#)

The code generation objectives differ from the objectives set in the model (Unspecified). Click the 'Modify Parameters' button to store the current objectives in the model.

The following parameter values are not optimized for the selected objectives.

To automatically fix the warning, click the 'Modify Parameters' button and then rerun the check. To manually fix the warning, click the parameter hyperlink to open the Configuration Parameters dialog box, and manually apply the recommended value.

Parameter	Current Value	Recommended Value
<a href="#">Suppress error status in real-time model data structure</a>	off	on
<a href="#">non-finite numbers</a>	on	off
<a href="#">Remove root level I/O zero initialization</a>	off	on

- After reviewing the check results, you can choose to fix warnings and failures, as described in “Fix a Model Check Warning or Failure”.

---

**Note:** When you specify an efficiency or Safety precaution objective, the Code Generation Advisor includes additional checks. When you make changes to one check, the other check results could become invalid and you must run the checks again.

---

For more information, see “Set Objectives — Code Generation Advisor Dialog Box”

## Configure Code Generation Objectives Programmatically

This example shows how to configure code generation objectives by writing a MATLAB script or entering commands at the command line.

- 1 Specify a system target file. If you specify an ERT-based target, more objectives are available. For this example, specify `ert.tlc`. *model\_name* is the name or handle to the model.

```
set_param(model_name, 'SystemTargetFile', 'ert.tlc');
```

- 2 Specify your objectives. For example, if your objectives are execution efficiency and traceability, in that priority, enter:

```
set_param(model_name, 'ObjectivePriorities', ...  
{'Execution efficiency', 'Traceability'});
```

---

**Note:** When you specify a GRT-based system target file, you can specify an objective at the command line. If you specify ROM efficiency, RAM efficiency, Traceability, MISRA C:2012 guidelines, Polyspace, or Safety precaution, the build process changes the objective to `Unspecified` because you have specified a value that is invalid when using a GRT-based target.

---

## Check Model and Configuration for Code Generation

You can use the Model Advisor checks to assess model readiness to generate code. To check and configure your model for code generation application objectives such as traceability or debugging, use the Code Generation Advisor.

For information about	See
Model Advisor	“Run Model Checks”
Code Generation Advisor	“Configure Model for Code Generation Objectives Using Code Generation Advisor” on page 14-2
Checks available with Simulink Coder	“Simulink Coder Checks”
Checks available with Embedded Coder	“Embedded Coder Checks”

This example shows how to use the Model Advisor to check model `rtwdemo_throttlenctrl` for code efficiency.

- 1 Open `rtwdemo_throttlenctrl`. Save a copy as `throttlenctrl` in a writable location on your MATLAB path.
- 2 To start the Model Advisor, select **Analysis > Model Advisor > Model Advisor**. A dialog box opens showing the model system hierarchy.
- 3 Click `throttlenctrl` and then click **OK**. The Model Advisor window opens.
- 4 Expand **By Task > Code Generation Efficiency**. You can use the checks in the folder to check your model for code generation efficiency. By default, checks that do not trigger an Update Diagram are selected.

Checks for code generation efficiency depend on the availability of Simulink Coder and Embedded Coder licenses.

- 5 In the left pane, select the remaining checks, and then select **Code Generation Efficiency**.
- 6 In the right pane, select **Show report after run** and click **Run Selected Checks**. The report shows a **Run Summary** that flags check warnings.
- 7 Review the report. The warnings highlight issues that impact code efficiency. For more information about the report, see “View Model Advisor Reports” in the Simulink documentation.



## Check Model During Code Generation

This example shows how to use the Code Generation Advisor to review a model as part of the code generation process.

- 1 Specify your code generation objectives.
- 2 On the **Configuration Parameters > Code Generation > General** pane, select one of the following from **Check model before generating code**:
  - On (proceed with warnings)
  - On (stop for warnings)
- 3 If you only want to generate code, select **Generate code only**; otherwise clear the check box to build an executable.
- 4 Apply your changes. In the model window, press **Ctrl+B** to generate code or build the model.

If the Code Generation Advisor issues failures or warnings, and you specified:

- **On (proceed with warnings)** — The Code Generation Advisor window opens while the build process proceeds. After the build process is complete, you can review the results.
  - **On (stop for warnings)** — The build process halts and displays the Diagnostic Viewer. To continue, you must review and resolve the Code Generation Advisor results or change the **Check model before generating code** selection.
- 5 In the Code Generation Advisor window, review the results by selecting a check from the left pane. The right pane populates the results for that check.
  - 6 After reviewing the check results, you can choose to fix warnings and failures as described in “Fix a Model Check Warning or Failure”.

---

**Note:** When you specify an efficiency or Safety precaution objective, the Code Generation Advisor includes additional checks. When you make changes to one of these checks, the other check results could become invalid and you must run the check again.

---

For more information, see “Set Objectives — Code Generation Advisor Dialog Box”

## Embedded Coder Model Advisor Checks for Standards, Guidelines, and Code Efficiency

You can use the Model Advisor checks available with Embedded Coder to check that your model meets guidelines, standards, and is ready to generate code.

- To start the Model Advisor, in the model window, select **Analysis > Model Advisor > Model Advisor**.
- In the Model Advisor window, expand the **By Task** folder. The folder contains Model Advisor checks that you can run to help accomplish the task.

For more information about the Model Advisor, see “Run Model Checks”.

The table summarizes the Embedded Coder Model Advisor checks that are available in the **By Task** folders.

By Task folder	Model Advisor checks
<b>Modeling Standards for</b> <ul style="list-style-type: none"> <li>• <b>IEC 61508, IEC 62304, ISO 26262, and EN 50128</b></li> <li>• <b>Modeling Standards for MAAB</b></li> </ul>	“Check for blocks not recommended for C/C++ production code deployment”
<b>Code Generation Efficiency</b>	“Identify lookup table blocks that generate expensive out-of-range checking code” “Check output types of logic blocks” “Identify questionable software environment specifications” “Identify questionable code instrumentation (data I/O)” “Identify blocks that generate expensive fixed-point and saturation code” “Identify blocks that generate expensive rounding code”

By Task folder	Model Advisor checks
	“Identify questionable fixed-point operations”
<b>Modeling Standards for DO-178C/DO-331</b>	“Check for blocks not recommended for C/C++ production code deployment” “Check the hardware implementation” “Identify questionable subsystem settings”
<b>Modeling Guidelines for MISRA C:2012</b>	“Check configuration parameters for MISRA C:2012” “Check for blocks not recommended for MISRA C:2012” “Check for unsupported block names” “Check usage of Assignment blocks” “Check for bitwise operations on signed integers” “Check for recursive function calls” “Check for switch case expressions without a default case” “Check for equality and inequality operations on floating-point values”

## Create Custom Code Generation Objectives

### In this section...

“Specify Parameters in Custom Objectives” on page 14-14

“Specify Checks in Custom Objectives” on page 14-15

“Determine Checks and Parameters in Existing Objectives” on page 14-15

“How to Create Custom Objectives” on page 14-16

The Code Generation Advisor reviews your model based on objectives that you specify. If the predefined efficiency, traceability, Safety precaution, and debugging objectives do not meet your requirements, you can create custom objectives.

You can create custom objectives by:

- Creating a new objective and adding parameters and checks to a new objective.
- Creating a new objective based on an existing objective, then adding, modifying, and removing the parameters and checks within the new objective.

### Specify Parameters in Custom Objectives

When you create a custom objective, you specify the values of configuration parameters that the Code Generation Advisor reviews. You can use the following methods:

- `addParam` — Add parameters and specify the values that the Code Generation Advisor reviews in **Check model configuration settings against code generation objectives**.
- `modifyInheritedParam` — Modify inherited parameter values that the Code Generation Advisor reviews in **Check model configuration settings against code generation objectives**.
- `removeInheritedParam` — Remove inherited parameters from a new objective that is based on an existing objective. When a user selects multiple objectives, if another selected objective includes this parameter, the Code Generation Advisor reviews the parameter value in **Check model configuration settings against code generation objectives**.

## Specify Checks in Custom Objectives

Objectives include the **Check model configuration settings against code generation objectives** check by default. When you create a custom objective, you specify the list of additional checks that are associated with the custom objective. You can use the following methods:

- **addCheck** — Add checks to the Code Generation Advisor. When a user selects the custom objective, the Code Generation Advisor displays the check, unless the user specifies an additional objective with a higher priority that excludes the check.

For example, you might add a check to the Code Generation Advisor to include a custom check in the automatic model checking process.

- **excludeCheck** — Exclude checks from the Code Generation Advisor. When a user selects multiple objectives, if the user specifies an additional objective that includes this check as a higher priority objective, the Code Generation Advisor displays this check.

For example, you might exclude a check from the Code Generation Advisor when a check takes a long time to process.

- **removeInheritedCheck** — Remove inherited checks from a new objective that is based on an existing objective. When a user selects multiple objectives, if another selected objective includes this check, the Code Generation Advisor displays the check.

For example, you might remove an inherited check, rather than exclude the check, when the check takes a long time to process, but the check is important for another objective.

## Determine Checks and Parameters in Existing Objectives

When you base a new objective on an existing objective, you can determine what checks and parameters the existing objective contains. The Code Generation Advisor contains the list of checks in each objective.

For example, the **Efficiency** objective includes checks which you can see in the Code Generation Advisor. To see the checks in the Code Generation Advisor:

- 1 Open the `rtwdemo_rtweintro` model.
- 2 Specify an ERT-based target.
- 3 On the model toolbar, select **Code > C/C++ Code > Code Generation Advisor**.

- 4 In the System Selector window, select the model or subsystem that you want to review, and then click **OK**.
- 5 In the Code Generation Advisor, on the **Code Generation Objectives** pane, select the code generation objectives. As you select objectives, on the left pane, the Code Generation Advisor updates the list of checks it will run on your model. For this example, select **Execution efficiency**.
  - In **Available objectives**, double-click **Execution efficiency**. **Execution efficiency** is added to **Selected objectives - prioritized**.

In the left pane, the Code Generation Advisor lists the checks for the **Execution efficiency** objective. The first check, **Check model configuration settings against code generation objectives**, lists parameters and values specified by the objective. For example, the Code Generation Advisor displays the list of parameters and the recommended values in the **Execution efficiency** objective. To see the list of parameters and values:

- 1 Run **Check model configuration settings against code generation objectives**.
- 2 Click **Modify Parameters**.
- 3 Rerun the check.

In the check results, the Code Generation Advisor displays the list of parameters and recommended values for the **Execution efficiency** objective.

Passed

**Current Objectives:** [Execution efficiency](#)

The following parameters have been checked and confirmed with the recommended value

Parameter	Value
<a href="#">non-inlined S-functions</a>	off
<a href="#">Suppress error status in real-time model data structure</a>	on
<a href="#">MAT-file logging</a>	off
<a href="#">Classic call interface</a>	off
<a href="#">continuous time</a>	off
<a href="#">non-finite numbers</a>	off
<a href="#">Single output/update function</a>	on
<a href="#">Minimize algebraic loop occurrences</a>	off

## How to Create Custom Objectives

To create a custom objective:

- 1 Create an `sl_customization.m` file.

- Specify custom objectives in a single `sl_customization.m` file only, or the software generates an error. This issue is true even if you have more than one `sl_customization.m` file on your MATLAB path.
  - Except for the `matlabroot/work` folder, do not place an `sl_customization.m` file in your root MATLAB folder, or its subfolders. Otherwise, the software ignores the customizations that the file specifies.
- 2** Create an `sl_customization` function that takes a single argument. When the software invokes the function, the value of this argument is the Simulink customization manager. In the function:
- a** Create a handle to the code generation objective, using the `ObjectiveCustomizer` constructor.
  - b** Register a callback function for the custom objectives, using the `ObjectiveCustomizer.addCallbackObjFcn` method.
  - c** Add a call to execute the callback function, using the `ObjectiveCustomizer.callbackFcn` method.

For example:

```
function sl_customization(cm)
%SL_CUSTOMIZATION objective customization callback

objCustomizer = cm.ObjectiveCustomizer;
index = objCustomizer.addCallbackObjFcn(@addObjectives);
objCustomizer.callbackFcn{index}();

end
```

- 3** Create a MATLAB callback function that:
- Creates code generation objective objects using the `rtw.codegenObjectives.Objective` constructor.
  - Adds, modifies, and removes configuration parameters for each objective using the `addParam`, `modifyInheritedParam`, and `removeInheritedParam` methods.
  - Includes and excludes checks for each objective using the `addCheck`, `excludeCheck`, and `removeInheritedCheck` methods.
  - Registers objectives using the `register` method.

The following example shows how to create an objective, `Reduce RAM Example`. `Reduce RAM Example` includes five parameters and three checks that the Code Generation Advisor reviews.

```

function addObjectives

% Create the custom objective
obj = rtw.codegenObjectives.Objective('ex_ram_1');
setObjectiveName(obj, 'Reduce RAM Example');

% Add parameters to the objective
addParam(obj, 'DefaultParameterBehavior', 'Inlined');
addParam(obj, 'BooleanDataType', 'on');
addParam(obj, 'OptimizeBlockIOStorage', 'on');
addParam(obj, 'EnhancedBackFolding', 'on');
addParam(obj, 'BooleansAsBitfields', 'on');

% Add additional checks to the objective
% The Code Generation Advisor automatically includes 'Check model
% configuration settings against code generation objectives' in every
% objective.
addCheck(obj, 'mathworks.design.UnconnectedLinesPorts');
addCheck(obj, 'mathworks.design.Update');

%Register the objective
register(obj);

end

```

The following example shows you how to create an objective, **My Traceability Example**, based on the existing Traceability objective. The custom objective modifies, removes, and adds parameters that the Code Generation Advisor reviews. It also adds and removes checks from the Code Generation Advisor.

```

function addObjectives

% Create the custom objective from an existing objective
obj = rtw.codegenObjectives.Objective('ex_my_trace_1', 'Traceability');
setObjectiveName(obj, 'My Traceability Example');

% Modify parameters in the objective
modifyInheritedParam(obj, 'GenerateTraceReportSf', 'Off');
removeInheritedParam(obj, 'ConditionallyExecuteInputs');
addParam(obj, 'MatFileLogging', 'On');

% Modify checks in the objective
addCheck(obj, 'mathworks.codegen.SWEnvironmentSpec');
removeInheritedCheck(obj, 'mathworks.codegen.CodeInstrumentation');

%Register the objective
register(obj);

end

```

- 4 If you previously opened the Code Generation Advisor, close the model from which you opened the Code Generation Advisor.



- 5** Refresh the customization manager. At the MATLAB command line, enter the `sl_refresh_customizations` command.
- 6** Open your model and review the new objectives.

## Configuration Variations

Every model contains one or more named configuration sets that specify model parameters such as solver options, code generation options, and other choices. A model can contain multiple configuration sets, but only one configuration set is active at a time. For more information on configuration sets and how to view and edit them in the Configuration Parameters dialog box, see “About Model Configurations”.

A configuration set includes options that specify code generation in general. For more information, see “Configure a Model for Code Generation”. With Embedded Coder, and an ERT target more parameters are available for fine-tuning the generated code with respect to customizing the appearance and optimizing the generated code.

Multiple configuration sets can be useful in embedded systems development. By defining multiple configuration sets in a model, you can easily retarget code generation from that model. For example, one configuration set might specify the default ERT target with external mode support enabled for rapid prototyping, while another configuration set might specify the ERT-based target for Visual C++<sup>®</sup> to generate production code for deployment of the application. Activation of either configuration set fully reconfigures the model for that type of code generation.

## Configure and Optimize Model with Configuration Wizard Blocks

The Embedded Coder software provides a library of *Configuration Wizard* blocks and scripts to help you configure and optimize code generation from your models quickly and easily.

### In this section...

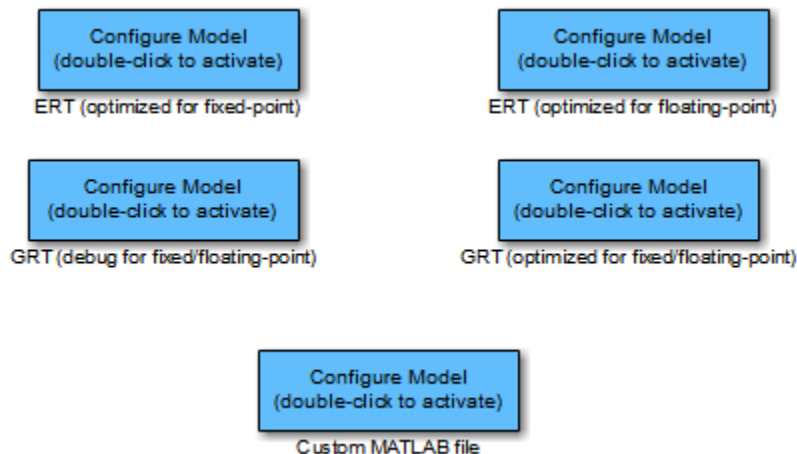
- “Configuration Wizard Block Library” on page 14-21
- “Add a Configuration Wizard Block” on page 14-22
- “Use Configuration Wizard Blocks” on page 14-24
- “Create a Custom Configuration Wizard Block” on page 14-24

### Configuration Wizard Block Library

The library provides a Configuration Wizard block you can customize, and four preset Configuration Wizard blocks.

Block	Description
Custom MATLAB file	Automatically update active configuration parameters of parent model using a custom file
ERT (optimized for fixed-point)	Automatically update active configuration parameters of parent model for ERT fixed-point code generation
ERT (optimized for floating-point)	Automatically update active configuration parameters of parent model for ERT floating-point code generation
GRT (debug for fixed/floating-point)	Automatically update active configuration parameters of parent model for GRT fixed- or floating-point code generation with debugging enabled
GRT (optimized for fixed/floating-point)	Automatically update active configuration parameters of parent model for GRT fixed- or floating-point code generation

These are shown in the figure below.



When you add one of the preset Configuration Wizard blocks to your model and double-click it, a predefined MATLAB file script executes and configures parameters of the model's active configuration set without manual intervention. The preset blocks configure the options optimally for one of the following cases:

- Fixed-point code generation with the ERT target
- Floating-point code generation with the ERT target
- Fixed/floating-point code generation with TLC debugging options enabled, with the GRT target.
- Fixed/floating-point code generation with the GRT target

The Custom block is associated with an example MATLAB file script that you can adapt to your requirements.

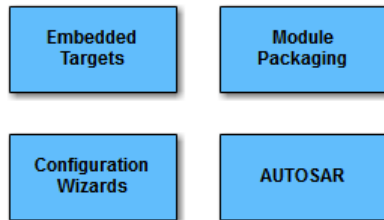
You can also set up the Configuration Wizard blocks to invoke the build process after configuring the model.

## Add a Configuration Wizard Block

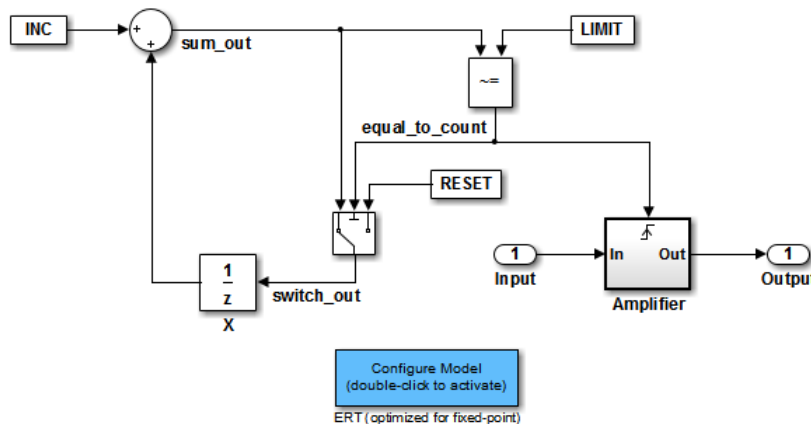
This section describes how to add one of the preset Configuration Wizard blocks to a model.

The Configuration Wizard blocks are available in the Embedded Coder block library. To use a Configuration Wizard block:

- 1 Open the model that you want to configure.
- 2 Open the Embedded Coder library by typing the command `rtweclib`.
- 3 The top level of the library is shown below.



- 4 Double-click the Configuration Wizards icon. The Configuration Wizards sublibrary opens.
- 5 Select the Configuration Wizard block you want to use and drag and drop it into your model. In the figure below, the ERT (optimized for fixed-point) Configuration Wizard block has been added to the model.



- 6 You can set up the Configuration Wizard block to invoke the build process after executing its configuration script. If you do not want to use this feature, skip to the next step.

If you want the Configuration Wizard block to invoke the build process, right-click on the Configuration Wizard block in your model, and select **Mask > Mask Parameters...** from the context menu. Then, select the **Invoke build process after configuration** parameter.

- 7 Click **Apply**, and close the Mask Parameters dialog box.

---

**Note** You should not change the **Configure the model for** option, unless you want to create a custom block and script. In that case, see “Create a Custom Configuration Wizard Block” on page 14-24.

---

- 8 Save the model.
- 9 You can now use the Configuration Wizard block to configure the model, as described in the next section.

### Use Configuration Wizard Blocks

Once you have added a Configuration Wizard block to your model, just double-click the block. The script associated with the block automatically sets parameters of the active configuration set that are relevant to code generation (including selection of the target). You can verify that the options have changed by opening the Configuration Parameters dialog box and examining the settings.

If the **Invoke build process after configuration** option for the block was selected, the script also initiates the code generation and build process.

---

**Note:** You can add more than one Configuration Wizard block to your model. This provides a quick way to switch between configurations.

---

### Create a Custom Configuration Wizard Block

The Custom Configuration Wizard block is shipped with an associated MATLAB file script, `matlabroot/toolbox/rtw/rtw/rtwsampleconfig.m`.

Both the block and the script are intended to provide a starting point for customization. This section describes:

- How to create a custom Configuration Wizard block linked to a custom script.

- Operation of the example script, and programming conventions and requirements for a customized script.
- How to run a configuration script from the MATLAB command line (without a block).

### Setting Up a Configuration Wizard Block

This section describes how to set up a custom Configuration Wizard block and link it to a script. If you want to use the block in more than one mode, it is advisable to create a Simulink library to contain the block.

To begin, make a copy of the example script for later customization:

- 1 Create a folder to store your custom script. This folder should not be anywhere inside the MATLAB folder structure (that is, it should not be under *matlabroot*).

The discussion below refers to this folder as */my\_wizards*.

- 2 Add the folder to the MATLAB path. Save the path for future sessions.
- 3 Copy the example script *rtwsampleconfig.m* in the folder *matlabroot/toolbox/rtw/rtw* (open) to the */my\_wizards* folder you created in the previous steps. Then, rename the script as desired. The discussion below uses the name *my\_configscript.m*.
- 4 Open the example script into the MATLAB editor. Scroll to the end of the file and enter the following line of code:

```
disp('Custom Configuration Wizard Script completed.');
```

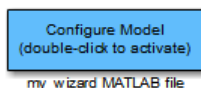
This statement is used later as a test to verify that your custom block has executed the script.

- 5 Save your script and close the MATLAB editor.

The next step is to create a Simulink library and add a custom block to it. Do this as follows:

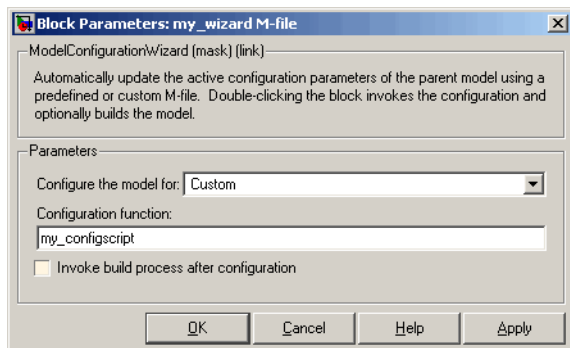
- 1 Open the Embedded Coder library and the Configuration Wizards sublibrary, as described in “Add a Configuration Wizard Block” on page 14-22.
- 2 Select **New > Library** from the **File** menu of the Configuration Wizards sublibrary window. An empty library window opens.
- 3 Select the **Custom MATLAB file** block from the Configuration Wizards sublibrary and drag and drop it into the empty library window.

- 4 To distinguish your custom block from the original, edit the **Custom MATLAB file** label under the block as desired.
- 5 Select **Save as** from the **File** menu of the new library window; save the library to the `/my_wizards` folder, under your library name of choice. In the figure below, the library has been saved as `ex_custom_button`, and the block has been labeled `my_wizard MATLAB-file`.



The next step is to link the custom block to the custom script:

- 1 Right-click on the block in your model, and select **Mask > Mask Parameters** from the context menu. Notice that the **Configure the model for** menu is set to **Custom**. When **Custom** is selected, the **Configuration function** edit field is enabled, so that you can enter the name of a custom script.
- 2 Enter the name of your custom script into the **Configuration function** field. (Do not enter the `.m` filename extension, which is implicit.) In the figure below, the script name `my_configscript` has been entered into the **Configuration function** field. This establishes the linkage between the block and script.



- 3 Note that by default, the **Invoke build process after configuration** option is deselected. You can change the default for your custom block by selecting this option. For now, leave this option deselected.
- 4 Click **Apply** and close the Mask Parameters dialog box.
- 5 Save the library.



- 6 Close the Embedded Coder library and the Configuration Wizards sublibrary. Leave your custom library open for use in the next step.

Now, test your block and script in a model. Do this as follows:

- 1 Open the `vdp` model by typing the command:

```
vdp
```

- 2 Open the Configuration Parameters dialog box and view the options by clicking on **Code Generation** in the list in the left pane of the dialog box.
- 3 Observe that `vdp` is configured, by default, for the GRT target. Close the Configuration Parameters dialog box.
- 4 Select your custom block from your custom library. Drag and drop the block into the `vdp` model.
- 5 In the `vdp` model, double-click your custom block.
- 6 In the MATLAB window, you should see the test message you previously added to your script:

```
Custom Configuration Wizard Script completed.
```

This indicates that the custom block executed the script.

- 7 Reopen the Configuration Parameters dialog box and view the **Code Generation** pane again. You should now see that the model is configured for the ERT target.

Before applying further edits to your custom script, proceed to the next section to learn about the operation and conventions of Configuration Wizard scripts.

## Create a Configuration Wizard Script

You should create your custom Configuration Wizard script by copying and modifying the example script, `rtwsampleconfig.m`. This section provides guidelines for modification.

### The Configuration Function

The example script implements a single function without a return value. The function takes a single argument `CS`:

```
function rtwsampleconfig(cs)
```

The argument `CS` is a handle to a proprietary object that contains information about the model's active configuration set. The Simulink software obtains this handle and passes it in to the configuration function when the user double-clicks a Configuration Wizard block.

Your custom script should conform to this prototype. Your code should use `CS` as a “black box” object that transmits information to and from the active configuration set, using the accessor functions described below.

### Access Configuration Set Parameters

To set parameters or obtain parameter values, use the Simulink `set_param` and `get_param` functions.

Option names are passed in to `set_param` and `get_param` as strings specifying an *internal option name*. The internal option name may not correspond to the option label on the GUI (for example, the Configuration Parameters dialog box). The example configuration accompanies each `set_param` and `get_param` call with a comment that correlates internal option names to GUI option labels. For example:

```
set_param(cs, 'LifeSpan', '1'); % Application lifespan (days)
```

To obtain the current setting of an option in the active configuration set, call `get_param`. Pass in the `CS` object as the first argument, followed by the internal option name. For example, the following code excerpt tests the setting of the **Create code generation report** option:

```
if strcmp(get_param(cs, 'GenerateReport'), 'on')
    ...
```

To set an option in the active configuration set, call `set_param`. Pass in the `CS` object as the first argument, followed by one or more parameter/value pairs that specify the

internal option name and its value. For example, the following code excerpt turns off the **Support absolute time** option:

```
set_param(cs, 'SupportAbsoluteTime', 'off');
```

### Select a Target

A Configuration Wizard script must select a target configuration. The example script uses the ERT target as a default. The script first stores string variables that correspond to the required **System target file**, **Template makefile**, and **Make command** settings:

```
stf = 'ert.tlc';  
tmf = 'ert_default_tmf';  
mc = 'make_rtw';
```

The system target file is selected by passing the `cs` object and the `stf` string to the `switchTarget` function:

```
switchTarget(cs, stf, []);
```

The template makefile and make command options are set by `set_param` calls:

```
set_param(cs, 'TemplateMakefile', tmf);  
set_param(cs, 'MakeCommand', mc);
```

To select a target, your custom script needs only to set up the string variables `stf`, `tmf`, and `mc` and pass them to the calls, as above.

### Obtain Target and Configuration Set Information

The following utility functions and properties are provided so that your code can obtain information about the current target and configuration set, with the `cs` object:

- `isValidParam(cs, 'option')`: The `option` argument is an internal option name. `isValidParam` returns true if `option` is a valid option in the context of the active configuration set.
- `getPropEnabled(cs, 'option')`: The `option` argument is an internal option name. Returns true if this `option` is enabled (that is, writable).
- `IsERTTarget` property: Your code can detect whether or not the currently selected target is derived from the ERT target is selected by checking the `IsERTTarget` property, as follows:

```
isERT = strcmp(get_param(cs, 'IsERTTarget'), 'on');
```

This information can be used to determine whether or not the script should configure ERT-specific options, for example:

```
if isERT
    set_param(cs, 'ZeroExternalMemoryAtStartup', 'off');
    set_param(cs, 'ZeroInternalMemoryAtStartup', 'off');
    set_param(cs, 'InitFltsAndDblsToZero', 'off');
    set_param(cs, 'InlinedParameterPlacement', ...
              'NonHierarchical');
    set_param(cs, 'NoFixptDivByZeroProtection', 'on')
end
```

### **Invoke a Configuration Wizard Script from the MATLAB Command Prompt**

Configuration Wizard scripts can be run from the MATLAB command prompt. (The Configuration Wizard blocks are provided as a graphical convenience, but are not essential.)

Before invoking the script, you must open a model and instantiate a `CS` object to pass in as an argument to the script. After running the script, you can invoke the build process with the `rtwbuild` command. The following example opens, configures, and builds a model.

```
open my_model;
cs = getActiveConfigSet ('my_model');
rtwsampleconfig(cs);
rtwbuild('my_model');
```

## Create a Model Configured for Code Generation Using Embedded Coder Templates

Embedded Coder templates provide you with a starting point for quickly developing models for code generation. Embedded Coder templates provide starting models for the following applications:

- Code Generation System. Create a model to get started with code generation.
- Exported functions. Create a model for generating code from function-call subsystems.
- Fixed-step, multirate. Create a fixed-step model with multiple rates for production code generation.
- Fixed-step, single-rate. Create a fixed-step model with a single rate for production code generation.

In the templates, traceability and reporting are turned on so that you can easily evaluate your generated code. The model has **System target file** set to `ert.tlc` and is configured to meet code generation objectives prioritized in the following order:

- 1 Execution efficiency
- 2 Traceability

To create a model using an Embedded Coder template:

- 1 On the MATLAB home tab, click **Simulink**.
- 2 In the Simulink start page, expand **Embedded Coder**.
- 3 Select a template.
- 4 Click **Create**. A new model that uses the template contents and settings appears in the Simulink Editor window.

For more information, for example to create and use a template as a reference design, see “Create a Template from a Model”.



# System Target File Configuration

---

- “About System Target File Selection” on page 15-2
- “Select an ERT System Target File” on page 15-3
- “Customize an ERT System Target File” on page 15-5
- “Configure Support for Numeric Data” on page 15-6
- “Configure Support for Time Values” on page 15-7
- “Support for Non-inlined S-Functions” on page 15-8
- “Configure Model Function Generation and Argument Passing” on page 15-9
- “Set Up Support for Code Reuse” on page 15-11
- “Configure a Code Replacement Library” on page 15-12

## About System Target File Selection

The first step to configuring a model for code generation is to choose a system target file. When you select a system target file, other model configuration parameters change automatically to best serve requirements of the execution environment. For example:

- Code interface parameters
- Build process parameters, such as the template make file
- Target hardware parameters, such as word size and byte ordering

Use the **Browse** button on the **Code Generation** pane to open the System Target File Browser (see “Select a System Target File”). The browser lets you select a preset system target file.

If you select a system target file by using the System Target File Browser, your selection appears in the **System target file** field (*target.tlc*).

If you are using a system target file that does not appear in the System Target File Browser, enter the name of your system target file in the **System target file** field. Click **Apply** or **OK**.

“Targets and Generated Code Features” describes the use of the browser and includes a complete list of available target configurations.

You also can select a system target file programmatically from MATLAB code, as described in “Select a System Target File Programmatically”.

After selecting a system target file, you can modify model configuration parameter settings.

If you want to switch between different targets in a single workflow for different code generation purposes (for example, rapid prototyping versus product code deployment), set up different configuration sets for the same model and switch the active configuration set for the current operation. For more information on how to set up configuration sets and change the active configuration set, see “Manage a Configuration Set”.



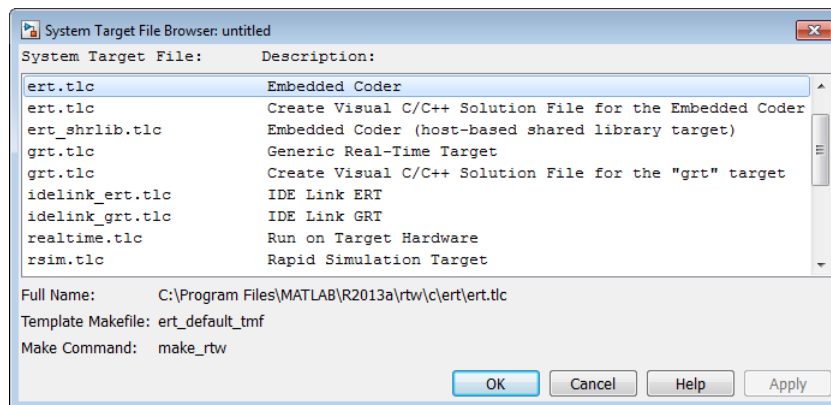
## Select an ERT System Target File

The **Browse** button in the **Target Selection** subpane of the **Code Generation > General** pane lets you select an ERT system target file with the System Target File Browser. See “Targets and Generated Code Features” for a general discussion of system target file selection.

The code generator provides variants of the ERT system target file including the following:

- Default ERT system target file
- ERT system target file for generating and building a Visual C++ Solution (.sln) file for the Visual C++ IDE
- ERT system target file for generating a Windows® or UNIX® host-based shared library

These system target files are based on, `ert.tlc`. They are displayed in the System Target File Browser as shown in the figure below.



You can use the `ert.tlc` (Create Visual C++® Solution File for Embedded Coder) system target file to generate a Microsoft® Visual Studio® compatible solution (.sln) from your Simulink model. This feature eases working with C++ code from your model in Visual Studio.

You can use the `ert_shrplib.tlc` system target file to generate a host-based shared library from your Simulink model. Selecting this system target file allows you to generate a shared library version of your model code for your host platform, either a Windows

dynamic link library (.dll) file or a UNIX shared object (.so) file. This feature can be used to package your source code securely for easy distribution and shared use.

## Customize an ERT System Target File

For information on developing custom ERT system target files, see “Target Development”.

## Configure Support for Numeric Data

By default, ERT system target files support code generation for integer, floating-point, nonfinite, and complex numbers.

To Generate Code that Supports...	Do...
Integer data only	Deselect <b>Support floating-point numbers</b> . If noninteger data or expressions are encountered during code generation, an error message reports the offending blocks and parameters.
Floating-point data	Select <b>Support floating-point numbers</b> .
Nonfinite values (for example, NaN, Inf)	Select <b>Support floating-point numbers</b> and <b>Support non-finite numbers</b> .
Complex data	Select <b>Support complex numbers</b> .

For more information, see “Code Generation Pane: Interface”.

## Configure Support for Time Values

Certain blocks require the value of absolute time (that is, the time from the start of program execution to the present time) , elapsed time (for example, the time elapsed between two trigger events), or continuous time. Depending on the blocks used, you might need to adjust the configuration settings for supported time values.

To...	Select...
Generate code that creates and maintains integer counters for blocks that use absolute or elapsed time values (default)	<b>Support absolute time.</b> For further information on the allocation and operation of absolute and elapsed timers, see “Absolute and Elapsed Time Computation” in the Simulink Coder documentation. If you do not select this parameter and the model includes block that use absolute or elapsed time values, the build process generates an error.
Generate code for blocks that rely on continuous time	<b>Support continuous time.</b> If you do not select this parameter and the model includes continuous-time blocks, the build process generates an error.

For more information, see “Code Generation Pane: Interface”.

## Support for Non-inlined S-Functions

To generate code for noninlined S-Functions in a model, select **Support noninlined S-functions**. The generation of noninlined S-functions requires floating-point and nonfinite numbers. Thus, when you select **Support non-inlined S-functions**, the ERT target automatically selects **Support floating-point numbers** and **Support non-finite numbers**.

When you select **Support non-finite numbers**, the build process generates an error if the model includes a C MEX S-function that does not have a corresponding TLC implementation (for inlining code generation).

Note that inlining S-functions is highly advantageous in production code generation, for example in implementing device drivers. To enforce the use of inlined S-functions for code generation, clear **Support non-inlined S-functions**.

When generating code for a model that contains non-inlined S-functions with an ERT target and either of the following is true:

- Model configuration parameter `GenCodeOnly` is set to `off` or **Configuration Parameters > Code Generation > Generate code only** is cleared.
- Model configuration parameter `ProdEqTarget` is set to `off`.

There might be a mismatch between the simulation and code generation results. To avoid such a mismatch set `ProdEqTarget` to `on` or select **Configuration Parameters > Code Generation > Generate code only** (or set `GenCodeOnly` to `on`).

## Configure Model Function Generation and Argument Passing

For ERT system target files, you can configure how a model's functions are generated and how arguments are passed to the functions.

To...	Do...
Generate model function calls that are compatible with the main program module of the pre-R2012a GRT system target file ( <code>grt_main.c</code> or <code>.cpp</code> )	Select <b>Classic call interface</b> and <b>MAT-file logging</b> . In addition, deselect <b>Suppress error status in real-time model data structure</b> . <b>Classic call interface</b> provides a quick way to use code generated in R2012a or higher with a pre-R2012a GRT-based custom system target file by generating wrapper function calls that interface to the generated code.
Reduce overhead and use more local variables by combining the output and update functions in a single <code>model_step</code> function	Select <b>Single output/update function</b>  Errors or unexpected behavior can occur if a <code>Model</code> block is part of a cycle and “Single output/update function” is enabled (the default). See “Model Blocks and Direct Feed through” for details.
Generate a <code>model_terminate</code> function for a model not designed to run indefinitely	Select <b>Terminate function required</b> . For more information, see the description of <code>model_terminate</code> .
Generate reusable, reentrant code from a model or subsystem	Select <b>Generate reusable code</b> . See “Set Up Support for Code Reuse” on page 15-11 for details.
Statically allocate model data structures and access them directly in the model code	Deselect <b>Generate reusable code</b> . The generated code is not reusable or reentrant. See “Entry-Point Functions and Scheduling” for information on the calling interface generated for model functions in this case.
Suppress the generation of an error status field in the real-time model data structure, <code>rtModel</code> , for example, if you do not need to log or monitor error messages	Select <b>Suppress error status in real-time model data structure</b> . Selecting this parameter can also cause the <code>rtModel</code> structure to be omitted completely from the generated code.  When generating code for multiple integrated models, set this parameter the same for all of the models. Otherwise, the integrated application might exhibit unexpected behavior. For example, if you select the option in one

To...	Do...
	<p>model but not in another, the error status might not be registered by the integrated application.</p> <p>Do not select this parameter if you select the <b>MAT-file logging</b> option. The two options are incompatible.</p>
Open the Model Step Functions dialog box preview and modify the model's <i>model_step</i> function prototype (see “Entry-Point Functions and Scheduling”)	Click <b>Configure Step Function</b> . Based on the <b>Function specification</b> value you select for your <i>model_step</i> function (supported values include <code>Default model-step function</code> and <code>Model specific C prototype</code> ), you can preview and modify the function prototype. Once you validate and apply your changes, you can generate code based on your function prototype modifications. For more information about using the <b>Configure Step Function</b> button and the Model Step Functions dialog box, see “Control Generation of Function Prototypes” on page 12-2.

For more information, see “Code Generation Pane: Interface”.



## Set Up Support for Code Reuse

For ERT system target files, you can configure how a model reuses code using the **Generate reusable code** parameter.

**Pass root-level I/O as** provides options that control how model inputs and outputs at the root level of the model are passed to the `model_step` function.

To...	Select...
Pass each root-level model input and output argument to the <code>model_step</code> function individually (the default)	<b>Generate reusable code</b> and <b>Pass root-level I/O as</b> > Individual arguments.
Pack root-level input arguments and root-level output arguments into separate structures that are then passed to the <code>model_step</code> function	<b>Generate reusable code</b> and <b>Pass root-level I/O as</b> > Structure reference

In some cases, selecting **Generate reusable code** can generate code that compiles but is not reentrant. For example, if a signal, `DWork` structure, or parameter data has a storage class other than `Auto`, global data structures are generated. To handle such cases, use the **Reusable code error diagnostic** parameter to choose the severity levels for diagnostics.

In some cases, the Embedded Coder software is unable to generate valid and compilable code. For example, if the model contains one of the following, the code generated would be invalid.

- An S-function that is not code-reuse compliant
- A subsystem triggered by a wide function-call trigger

In these cases, the build terminates after reporting the problem.

For more information, see “Code Generation Pane: Interface”.

## Configure a Code Replacement Library

You can configure the code generator to change the code that it generates for functions and operators such that the code meets application requirements. Configure the code generator to apply a code replacement library (CRL) during code generation. If you have an Embedded Coder license, you can develop and apply custom code replacement libraries.

For more information about replacing code, using code replacement libraries that MathWorks provides, see “What Is Code Replacement?” on page 20-2 and “Code Replacement Libraries”. For information about developing code replacement libraries, see “What Is Code Replacement Customization?” on page 24-3 in the Embedded Coder documentation.

# Code Appearance

---

- “Add Custom Comments to Generated Code” on page 16-3
- “Add Custom Comments for Variables in the Generated Code” on page 16-5
- “Add Global Comments” on page 16-8
- “Specify Comment Style” on page 16-14
- “Customize Generated Identifier Naming Rules” on page 16-15
- “Identifier Format Control” on page 16-22
- “Control Name Mangling in Generated Identifiers” on page 16-26
- “Avoid Identifier Name Collisions with Referenced Models” on page 16-28
- “Maintain Traceability for Generated Identifiers” on page 16-30
- “Exceptions to Identifier Formatting Conventions” on page 16-31
- “Identifier Format Control Parameters Limitations” on page 16-32
- “Control Code Style” on page 16-34
- “Customize Code Organization and Format” on page 16-44
- “Specify Templates For Code Generation” on page 16-46
- “Code Generation Template (CGT) Files” on page 16-47
- “Custom File Processing (CFP) Templates” on page 16-53
- “Change the Organization of a Generated File” on page 16-55
- “Generate Source and Header Files with a Custom File Processing (CFP) Template” on page 16-57
- “Comparison of a Template and Its Generated File” on page 16-65
- “Code Template API Summary” on page 16-69
- “Generate Custom File and Function Banners” on page 16-72
- “Template Symbols and Rules” on page 16-80
- “Annotate Code for Justifying Polyspace Checks” on page 16-88
- “Manage Placement of Data Definitions and Declarations” on page 16-90

- “Specify Delimiter for #Includes” on page 16-116
- “Enhance Readability of Code for Flow Charts” on page 16-117
- “Generate Inlined Subsystem Code” on page 16-133

## Add Custom Comments to Generated Code

You can include auto-generated comments in the generated code as described in “Configure Code Comments”. For ERT targets, include additional custom comments by setting parameters on the **Code Generation > Comments** pane in the Configuration Parameters dialog box. With these parameters, you can enable or suppress generation of descriptive information in comments for blocks and other model elements.

Goal	Specify
Include the text specified in the <b>Description</b> field of a block's Block Properties dialog box as comments in the code generated for each block.	<b>Simulink block descriptions</b>
Add a comment that includes the block name at the start of the code for each block.	<b>Simulink block descriptions</b>
Include the text specified in the <b>Description</b> field of a Simulink data object (such as a signal, parameter, data type, or bus) in the Simulink Model Explorer as comments in the code generated for each object.	<b>Simulink data object descriptions</b>
Include comments just above signals and parameter identifiers in the generated code as specified in the MATLAB or TLC function.	<b>Custom comments (MPT objects only)</b>
Include the text specified in the <b>Description</b> field in the Properties dialog box for a Stateflow object as comments just above the code generated for each object.	<b>Stateflow object descriptions</b>
Include requirements assigned to Simulink blocks in the generated code comments (for more information, see “Generate Code for Models with Requirements Links”).	<b>Requirements in block comments</b>

When you select **Simulink block descriptions**:

- The code generator includes strings for model parameters, block names, signal names, and Stateflow object names in the generated code comments. If those strings are unrepresented in the character set encoding for the model, the code generator replaces the strings with XML escape sequences. For example, the code generator replaces the

Japanese full-width Katakana letter `ア` with the escape sequence `&#x30A2`; . For more information, see “Internationalization and Code Generation”.

- The code generation software automatically inserts comments into the generated code for custom blocks. Therefore, you do not need to include block comments in the associated TLC file for a custom block.

---

**Note:** If you have existing TLC files with manually inserted comments for block descriptions, the code generation process emits these comments instead of the automatically generated comments. Consider removing existing block comments from your TLC files. Manually inserted comments might be poorly formatted in the generated code and code-to-model traceability might not work.

---

- For virtual blocks or blocks that have been removed due to block reduction, comments are not generated.

For more information, see “Code Generation Pane: Comments”.

## Add Custom Comments for Variables in the Generated Code

To control code generation options for signals, states, and parameters in a model, you can create data objects in a workspace or data dictionary. You can generate comments in the code that help you to document the purpose and properties of the data in each object. Associate handwritten comments with each object, or write a function that generates comments based on the properties of the object.

For more information about data objects, see “Data Objects”.

### In this section...

“Embed Handwritten Comments for Signals or Parameters” on page 16-5

“Generate Dynamic Comments Based on Data Properties” on page 16-6

### Embed Handwritten Comments for Signals or Parameters

To embed handwritten comments in the generated code near the definition of a signal, state, or parameter:

- 1 Create a data object to represent a signal, state, or parameter. You can use a data object from any package. For example, use a data object of the classes `Simulink.Signal` or `Simulink.Parameter`, which are defined in the package `Simulink`.

```
myParam = Simulink.Parameter(15.23);
```

- 2 Set the storage class of the data object so that optimizations do not eliminate the signal or parameter from the generated code. For example, use the storage class `ExportedGlobal`.

```
myParam.StorageClass = 'ExportedGlobal';
```

- 3 Set the `Description` property of the object. The description that you specify appears in the generated code as lines of comments.

```
myParam.Description = 'This parameter represents wind speed.';
```

- 4 Set **Configuration Parameters > Code Generation > System target file** to an ERT-based target such as `ert.tlc`.

To generate comments from data object descriptions, you must use an ERT-based target.

- 5 Select **Configuration Parameters > Code Generation > Comments > Simulink data object descriptions**.
- 6 Generate code from the model. In the code, the data object description appears near the definition of the corresponding variable.

```
/* Exported block parameters */
real_T myParam = 15.23;      /* Variable: myParam
                             * Referenced by: '<S1>/Gain'
                             * This parameter represents wind speed.
                             */
```

## Generate Dynamic Comments Based on Data Properties

You can generate dynamic comments that include the properties of the data object such as data type, units, and dimensions. If you change the properties of the data object in Simulink, the code generator maintains the accuracy of the comments. For example, this comment displays some of the property values for a data object named MAP:

```
/*      Unit:          psi                      */
/*      Owner:         */                      */
/*      DefinitionFile: specialDef            */
real_T MAP = 0.0;
```

- 1 Create a data object from the package `mpt` and apply a custom storage class to the object. The default storage class for objects that you create from the package `mpt` is the custom storage class `Global (Custom)`.

```
MAP = mpt.Signal;
```

To generate dynamic comments, you must use a data object from the package `mpt`, and you must apply a custom storage class to the object.

- 2 Write a MATLAB or TLC function that generates the comment text. For an example MATLAB function, see the function `matlabroot/toolbox/rtw/rtwdemos/rtwdemo_comments_mptfun.m`.

The function must accept three input arguments that correspond to `objectName`, `modelName`, and `request`. If you write a TLC file, you can use the library function `LibGetSLDataObjectInfo` to get all of the property values of the data object.

- 3 Save the function as a MATLAB file or a TLC file, and place the file in a folder that is on your MATLAB path.



- 4 In the model, select **Configuration Parameters > Code Generation > Comments > Custom comments (MPT objects only)**.
- 5 Set **Custom comments function** to the name of the MATLAB file or TLC file that you created.
- 6 Generate code from the model. The comments that your function generates appear near the code that represents each data object.

### Limitations

- To generate comments by using the **Custom comments (MPT objects only)** and **Custom comments function** options, you must create data objects from the package `mpt`. The data objects must use a custom storage class.
- Only the custom storage classes from the `mpt` package that create unstructured variables support a custom comments function.

### Related Examples

- “Add Custom Comments to Generated Code” on page 16-3
- “Control Data Representation by Applying Custom Storage Classes” on page 10-35

### More About

- “Data Objects”
- “Introduction to Custom Storage Classes” on page 10-2
- “MPT Data Object Properties” on page 9-2

## Add Global Comments

### In this section...

“Use a Simulink DocBlock to Add a Comment” on page 16-8

“Use a Simulink Annotation to Add a Comment” on page 16-11

“Use a Stateflow Note to Add a Comment” on page 16-11

“Use Sorted Notes to Add Comments” on page 16-12

The following examples show how to add a global comment to a Simulink model so that the comment text appears in the generated file or files where you want. Specify a template symbol name with a Simulink `DocBlock`, a Simulink annotation, or a Stateflow note. You can also use a sorted-notes capability that works with Simulink annotations or Stateflow notes (but not `DocBlocks`). For more information about template symbols, see “Template Symbols and Rules” on page 16-80.

---

**Note** Template symbol names `Description` and `ModifiedHistory` also are fields in the Model Properties dialog box. If you use one of these symbol names for global comment text, and its Model Properties field also has text in it, both names appear in the generated files.

---

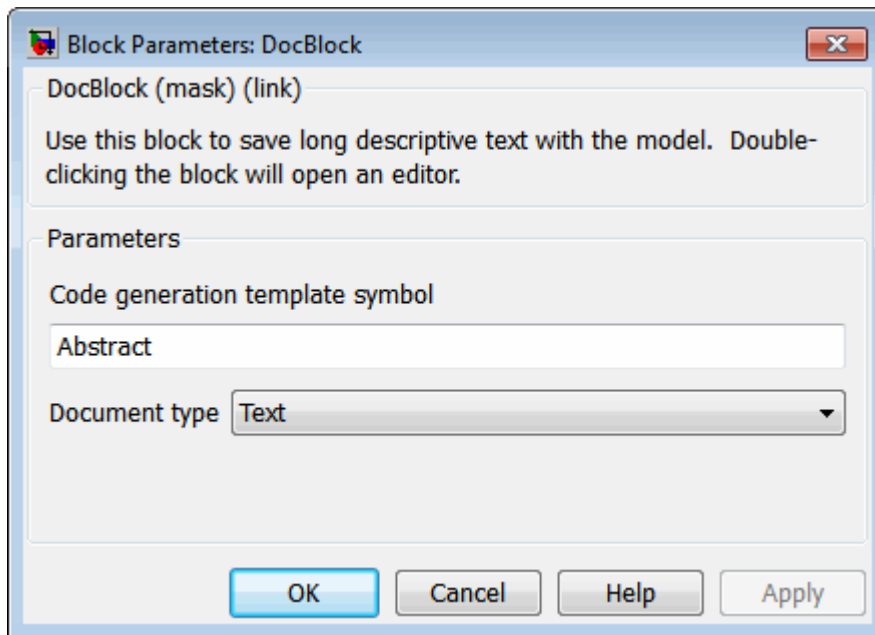
### Use a Simulink DocBlock to Add a Comment

- 1 With the model open, from the **View** menu, select **Library Browser**.
- 2 Drag the `DocBlock` from **Model-Wide Utilities** in the Simulink library into the model.
- 3 Double-click the `DocBlock` and type the comment that you want in the editor. Save and close the editor.
- 4 Right-click the `DocBlock` and select **Mask > Mask Parameters**.
- 5 In the **Code generation template symbol** box, type one of the following:
  - `Abstract`
  - `Description`
  - `History`
  - `ModifiedHistory`

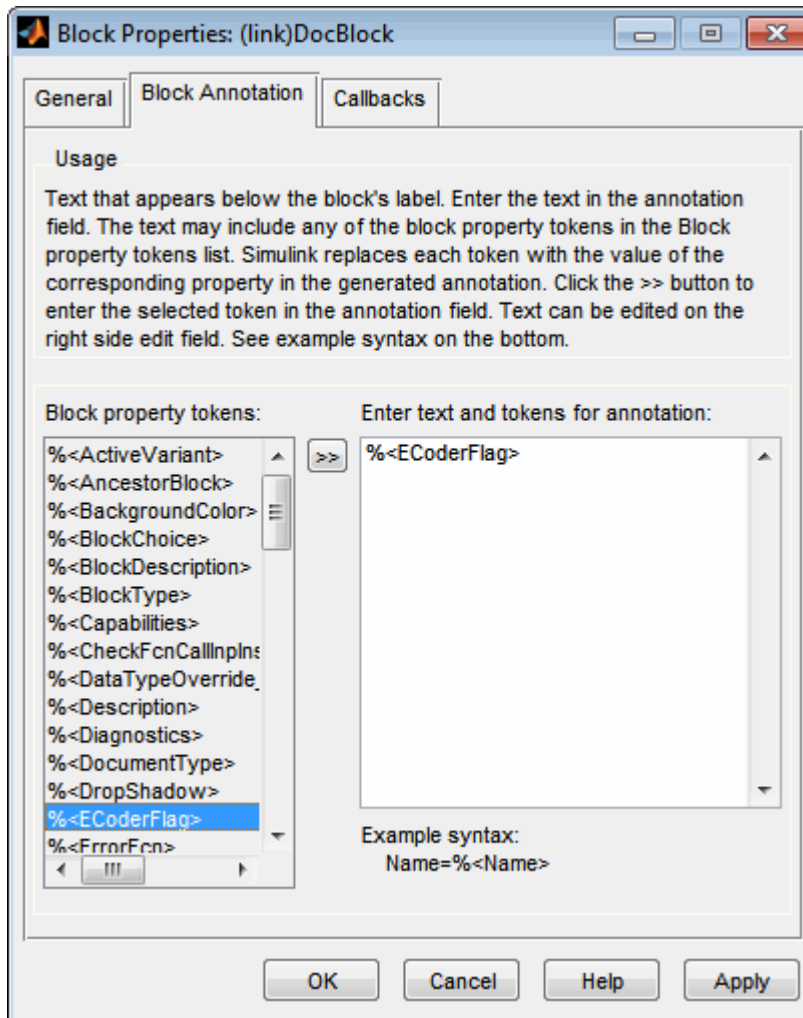
- Notes

Click **OK**. Template symbol names are case sensitive.

If you are using a DocBlock to add comments to your code, set the **Document type** to **Text**. If you set **Document type** to **RTF** or **HTML**, your comments will not appear in the code.



- 6 In the Block Properties dialog box, on the **Block Annotation** tab, select `%<ECoderFlag>` and click **OK**. The symbol name that you typed in the previous step now appears under the **DocBlock** in the model.



- 7 Save the model. After you generate code, the code generator places the comment in each generated file whose template has the symbol name that you typed. The code generator places the comment in the generated file at the location that corresponds to where the symbol name is located in the template file.
- 8 To add more comments to the generated files, repeat steps 1–7.

## Use a Simulink Annotation to Add a Comment

- 1 Double-click the unoccupied area on the model where you want to place the comment. See “Annotations”.
- 2 Type `<S:Symbol_name>` followed by the comment. `Symbol_name` is one of the following:
  - Abstract
  - Description
  - History
  - ModifiedHistory
  - Notes

For example, type `<S:Description>This is the description I want.` Template symbol names are case sensitive. (The "S" before the colon indicates "symbol.") If you want the code generator to sort multiple comments for the **Notes** symbol name, replace the next step with “Use Sorted Notes to Add Comments” on page 16-12.

- 3 Click outside the rectangle and save the model. After you generate code, the code generator places the comment in each generated file whose template has the symbol name that you typed. The code generator places the comment in the generated file at the location that corresponds to where the symbol name is located in the template file. If you want the code generator to sort multiple comments for the **Notes** symbol name, replace the next step with “Use Sorted Notes to Add Comments” on page 16-12.
- 4 To add one or more other comments to the generated files, repeat steps 1–3.

## Use a Stateflow Note to Add a Comment

- 1 Right-click the unoccupied area on the Stateflow chart where you want to place the comment.
- 2 Select the annotation icon from the palette.
- 3 Type `<S:Symbol_name>` followed by the comment. `Symbol_name` is one of the following:
  - Abstract
  - Description

- History
- ModifiedHistory
- Notes

For example, type `<S:Description>This is the description I want.` Template symbol names are case sensitive. If you want the code generator to sort multiple comments for the `Notes` symbol name, replace the next step with “Use Sorted Notes to Add Comments” on page 16-12.

- 4 Click outside the note and save the model. After you generate code, the code generator places the comment in each generated file whose template has the symbol name that you typed. The code generator places the comment in the generated file at the location that corresponds to where the symbol name is located in the template file.
- 5 To add one or more other comments to the generated files, repeat steps 1–4.

## Use Sorted Notes to Add Comments

The sorted-notes capability allows you to add automatically sorted comments to the generated files. The code generator places these comments in each generated file at the location that corresponds to where the `Notes` symbol is located in the template file.

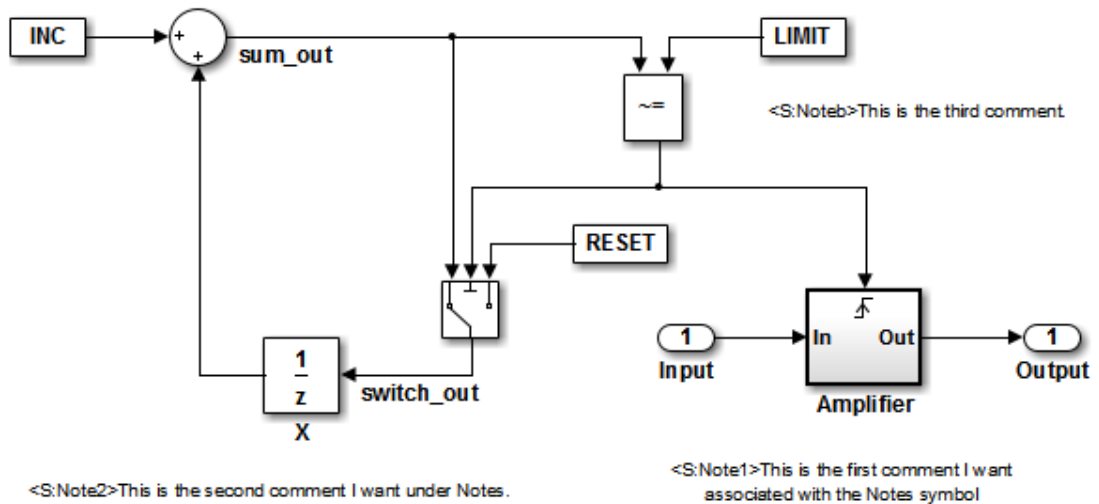
The code generator uses the following sorting order:

- Numbers before letters.
- Among numbers, 0 is first.
- Among letters, uppercase are before lowercase.

You can use sorted notes with a Simulink annotation or a Stateflow note, but not with a DocBlock.

- In the Simulink annotation or the Stateflow note, type `<S:NoteY>` followed by the first comment. Y is a number or a letter.
- Repeat for as many additional comments you want. Replace Y with a subsequent number or letter.

The figure illustrates sorted notes on a model, and where the code generator places each note in a generated file.



The relevant fragment from the generated file for this model is:

\*\* NOTES

\*\* Note1: This is the first comment I want associated with the Notes symbol.  
 Note2: This is the second comment I want under Notes.  
 Noteb: This is the third comment.

\*\*

## Specify Comment Style

For ERT-based models, the comment style used in generated code is determined by the programming language selected for the model:

- C code uses `/* . . . */` notation for both single-line and multiple-line comments.
- C++ code uses `// . . .` notation and contains only single-line comments.

If you have an Embedded Coder license, you can modify the comment style for generated code using the command-line parameter `CommentStyle`. The parameter takes the following values:

Value	Description
Auto (default)	For C, generate single or multiple-line comments delimited by <code>/*</code> and <code>*/</code> . For C++, generate single-line comments preceded by <code>//</code> .
Multi-line	Generate single or multiple-line comments delimited by <code>/*</code> and <code>*/</code> .
Single-line	Generate single-line comments preceded by <code>//</code> .

For example, the following command sets the comment style to single-line comments:

```
>> set_param('rtwdemo_counter','CommentStyle','Single-line')
```

Here is an example of code generated using the single-line comment style:

```
// Sum: '<Root>/Sum' incorporates:  
//   Constant: '<Root>/INC'  
//   UnitDelay: '<Root>/X'  
  
rtb_sum_out = (uint8_T)(1U + rtwdemo_counter_DW.X);
```

---

**Note:** For C code generation, select `Single-line` only if your compiler supports it

---



## Customize Generated Identifier Naming Rules

### In this section...

“Apply Naming Rules to Identifiers Globally” on page 16-15

“Apply Naming Rules to Simulink Data Objects” on page 16-16

For GRT and RSim targets, the code generator constructs identifiers for variables and functions in the generated code. For ERT targets, you can customize the naming of identifiers in the generated code by specifying parameters on the **Code Generation > Symbols** pane in the Configuration Parameters dialog box. You can also specify parameters that control identifiers generated from Simulink data objects. For detailed information about these parameters, see “Code Generation Pane: Symbols”.

### Apply Naming Rules to Identifiers Globally

Goal	Specify
Set the maximum number of characters that the code generator uses for function, <code>typedef</code> , and variable names (default 31) .	An integer value for the “Maximum identifier length” parameter. For more information, see “Specify Identifier Length to Avoid Naming Collisions”. If you expect your model to generate lengthy identifiers (due to use of long signal or parameter names, for example), or if identifiers are mangled more than you expect, increase the value of this parameter.
Define a macro string that specifies certain substrings included within generated identifiers for: <ul style="list-style-type: none"> <li>• Global variables</li> <li>• Global types</li> <li>• Field names of global types</li> <li>• Subsystem methods</li> <li>• Subsystem method arguments</li> <li>• Local temporary variables</li> <li>• Local block output variables</li> <li>• Constant macros</li> </ul>	A macro string for the <b>Identifier format control</b> parameters. For more information, see “Identifier Format Control” on page 16-22. See also “Exceptions to Identifier Formatting Conventions” on page 16-31 and “Identifier Format Control Parameters Limitations” on page 16-32.

Goal	Specify
<ul style="list-style-type: none"> <li>Shared utilities</li> </ul>	
Set the minimum number of characters that the code generator uses for the mangling string.	An integer value for the “Minimum mangle length” parameter. For more information, see “Control Name Mangling in Generated Identifiers” on page 16-26
Control whether the software uses shortened names for system-generated identifiers.	<p>Shortened for the “System-generated identifiers” parameter. This setting:</p> <ul style="list-style-type: none"> <li>Provides more space for user names.</li> <li>Provides a more predictable and consistent naming system that uses camel case.</li> <li>Does not include underscores or plurals.</li> <li>Provides consistent abbreviations for both a type and a variable.</li> </ul>
Control whether the generated code expresses scalar inlined parameter values as literal values or as macros.	<p>The value <b>Literals</b> or <b>Macros</b> for the “Generate scalar inlined parameter as” parameter.</p> <ul style="list-style-type: none"> <li><b>Literals:</b> If you set <b>Default parameter behavior</b> to <b>Inlined</b>, parameters are expressed as numeric constants.</li> <li><b>Macros:</b> Parameters are expressed as variables (with <code>#define</code> macros). This setting makes code more readable.</li> </ul>

## Apply Naming Rules to Simulink Data Objects

When your model uses Simulink data objects from the `Simulink` package, identifiers in generated code copy the names of the objects by default. For example, a `Simulink.Signal` object named `Speed` appears as the identifier `Speed` in generated code.

You can control these identifiers by specifying naming rules that are specific to Simulink data objects. On the **Code Generation > Symbols** pane of the Configuration Parameters dialog box, adjust the settings in the **Simulink data object naming rules** section .

When you specify naming rules for generated code, follow ANSI C<sup>3</sup>/C++ rules for naming identifiers.

### Specify Naming Rule Using a Function

This example shows how to customize identifiers in generated code by defining a MATLAB function.

- 1 Write a MATLAB function that returns an identifier by modifying a data object name, and save the function in your working folder. For example, the following function returns an identifier name by appending the string `_param` to a data object name.

```
function revisedName = append_string(name, object)
% APPEND_STRING: Returns an identifier for generated
% code by appending a string to a data object name.
%
% Input arguments:
% name: data object name as spelled in model
% object: target data object
%
% Output arguments:
% revisedName: altered identifier returned for use in
% generated code.
%
%
string = '_param';

revisedName = [name,string];
```

- 2 Open the model `rtwdemo_namerules`.
- 3 Double-click the yellow box labeled **View Symbols Configuration** to open the **Code Generation > Symbols** pane in the Configuration Parameters dialog box.
- 4 From the **Parameter naming** drop-down list, select **Custom M-function**.

---

3. ANSI is a registered trademark of the American National Standards Institute, Inc.



- 5 In the **M-function** field, type the name of the file that defines the MATLAB function, `append_string.m`.
- 6 Click **Apply**.
- 7 Generate code for the model.
- 8 Inspect the code generation report to confirm the parameter object naming rule. For example, the generated file `rtwdemo_namerules.h` represents the parameter objects `G1`, `G2`, and `G3` with the variables `G1_param`, `G2_param`, and `G3_param`.

### Specify Naming Rule for Storage Class Define

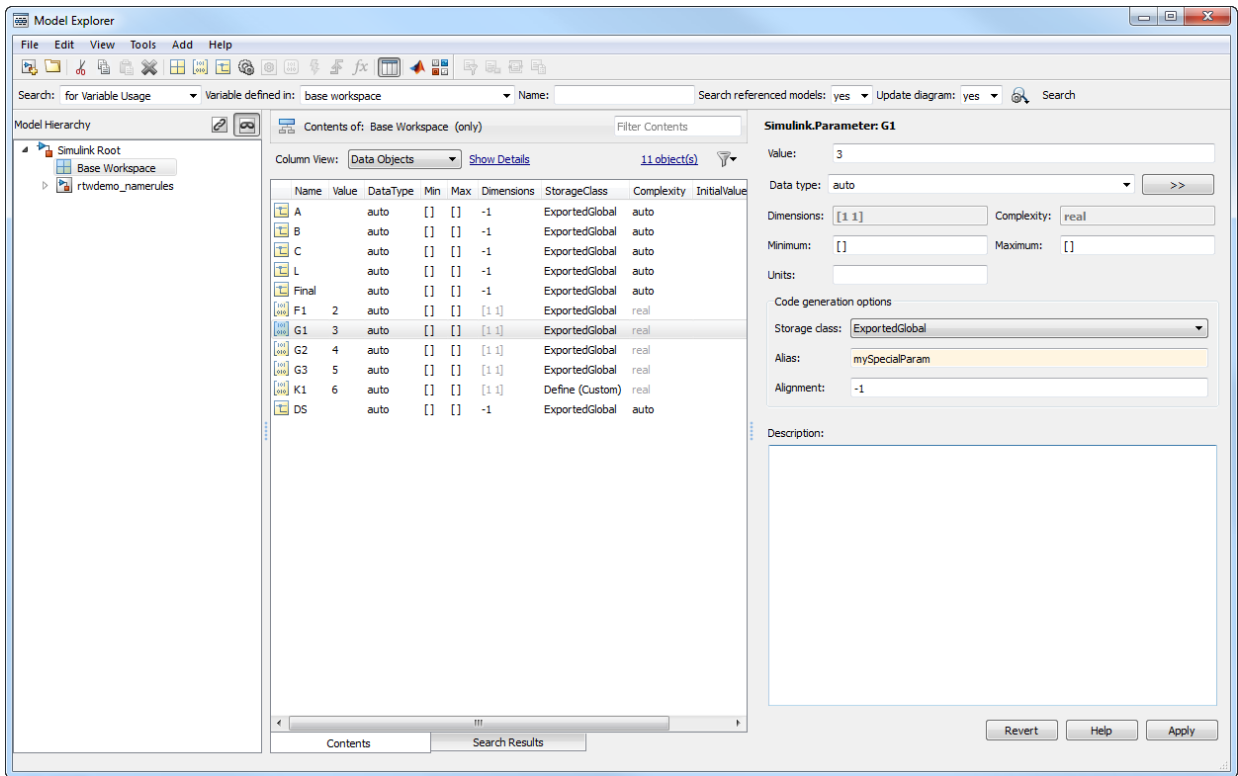
You can specify a naming rule that applies only to Simulink data objects whose storage class you set to **Define**. For these data objects, the specified naming rule overrides the other parameter and signal object naming rules. On the **Code Generation > Symbols** pane in the Configuration Parameters dialog box, adjust the **#define naming** setting.

### Override Data Object Naming Rules

This example shows how to override a data object naming rule for a single data object.

You can override data object naming rules by specifying the **Alias** property of an individual Simulink data object. Generated code uses the string that you specify as the identifier to represent the data object, regardless of naming rules.

- 1 Open the model `rtwdemo_namerules`.
- 2 Open Model Explorer and navigate to the base workspace.
- 3 Click the parameter object `G1` and specify the **Alias** property as `mySpecialParam`. Click **Apply**.

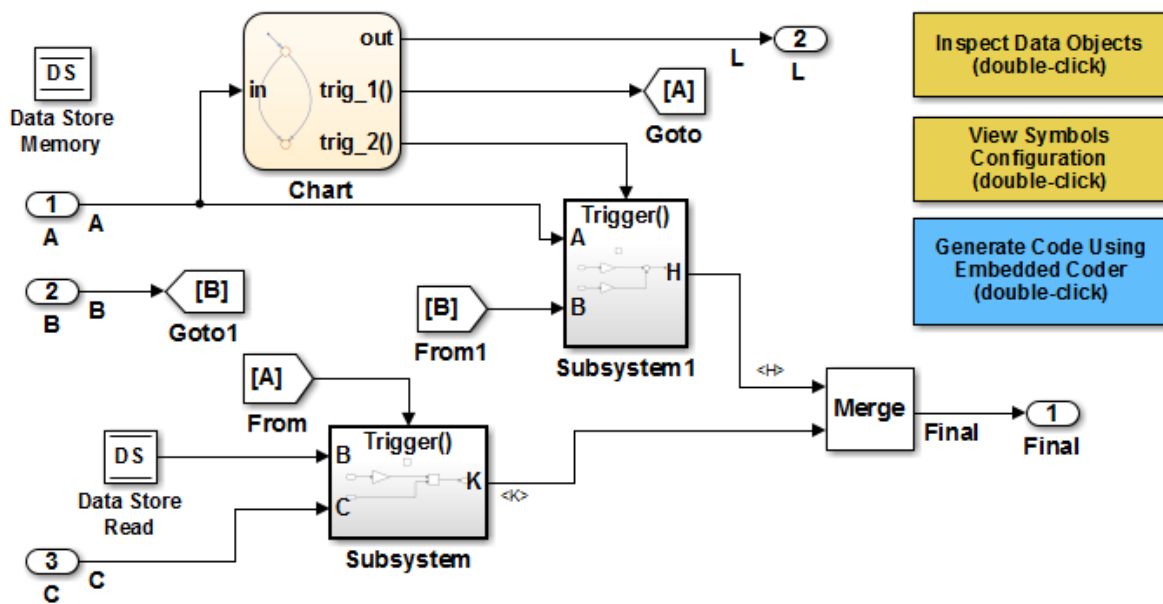


- 4 Generate code for the model.
- 5 In the code generation report, confirm the alias for the parameter object G1. The generated file `rtwdemo_namerules.h` represents G1 with the variable `mySpecialParam`.

### Apply Custom Naming Conventions to Identifiers

This example shows how to apply uniform naming rules for Simulink® data objects, including signals, parameters, and data store memory variables.

```
model='rtwdemo_namerules';
open_system(model)
```

**Description**

Many organizations employ coding standards that include naming rules for variables. This model shows how to apply uniform naming rules for Simulink data objects, including signals, parameters, and data store memory variables. Predefined conventions exist to apply upper and lower case naming, and arbitrary custom rules can be defined in a user-supplied MATLAB script.

**Instructions**

1. Double-click the yellow View Symbols Configuration button to inspect the "Simulink data object naming rules."
2. Double-click the yellow Inspect Data Objects button to inspect the data objects for this model.
3. Generate code using the blue button in the upper right of the diagram. An HTML report automatically appears.
4. Inspect the data that is defined toward the top of `rtwdemo_namerules.c`.

**Note**

The model is configured to "Force lower case." Therefore, the variables in the code are defined in lower case even though the data is declared upper case in the model.

Copyright 1994-2012 The MathWorks, Inc.

```
% Cleanup
rtwdemoclean;
```

```
close_system(model,0)
```

## **See Also**

“Signal naming”

## Identifier Format Control

You can customize generated identifiers by specifying the **Identifier format control** parameters on the **Code Generation > Symbols** pane in the Configuration Parameters dialog box. For each parameter, you can enter a macro string that specifies whether, and in what order, certain substrings are included within generated identifiers. For example, you can specify that the root model name be inserted into each identifier using the **\$R** token.

The macro string can include:

- Valid tokens, which are listed in Identifier Format Tokens. You can use or omit tokens depending on what you want to include in the identifier name. The **Shared utilities** parameter requires you to specify the checksum string token, **\$C**. The other parameters require the mangling string token, **\$M**. For more information, see “Control Name Mangling in Generated Identifiers” on page 16-26. The mangling string token is subject to the use and ordering restrictions noted in Identifier Format Control Parameter Values.
- Valid C or C++ language identifier characters (**a-z**, **A-Z**, **\_**, **0-9**).

The build process generates each identifier by expanding tokens and inserting the resultant strings into the identifier. The tokens are expanded in the order listed in Identifier Format Tokens. Character strings are inserted in the positions that you specify around tokens directly into the identifier. Contiguous token expansions are separated by the underscore (**\_**) character.

### Identifier Format Tokens

Token	Description
\$M	This token is required. If necessary, the code generator inserts a name mangling string to avoid naming collisions. The position of the <b>\$M</b> token in the <b>Identifier format control</b> parameter specification determines the position of the name mangling string in the generated identifier. For example, if you use the specification <b>\$R\$N\$M</b> , the name mangling string is appended (if required) to the end of the identifier. For more information, see “Control Name Mangling in Generated Identifiers” on page 16-26.
\$F	Insert method name (for example, <b>_Update</b> for update method). This token is available only for subsystem methods.



Token	Description
\$N	Insert name of object (block, signal or signal object, state, parameter, shared utility function or parameter object) for which identifier is being generated.
\$R	Insert root model name into identifier, replacing unsupported characters with the underscore ( _ ) character. When you use referenced models, this token is required in addition to \$M (see “Avoid Identifier Name Collisions with Referenced Models” on page 16-28).  <b>Note:</b> This token replaces the <b>Prefix model name to global identifiers</b> option in previous releases.
\$H	Insert tag indicating system hierarchy level. For root-level blocks, the tag is the string <code>root_</code> . For blocks at the subsystem level, the tag is of the form <code>sN_</code> . N is a unique system number assigned by the Simulink software. This token is available only for subsystem methods and field names of global types.  <b>Note:</b> This token replaces the <b>Include System Hierarchy Number in Identifiers</b> option in previous releases.
\$A	Insert data type acronym (for example, <code>i32</code> for integers) to signal and work vector identifiers. This token is available for local block output variables, local temporary variables, and field names of global types.  <b>Note:</b> This token replaces the <b>Include data type acronym in identifier</b> option in previous releases.
\$I	Insert <code>u</code> if the argument is an input or <code>y</code> if the argument is an output. (For example, <code>rtu_</code> for an input argument and <code>rty_</code> for an output argument). This token is available only for subsystem method arguments.
\$C	This token is required for <b>Shared utilities</b> . If the identifier exceeds the <b>Maximum identifier length</b> , the code generator inserts an 8-character checksum to avoid naming collisions. The position of the \$C token in the <b>Identifier format control</b> parameter specification determines the position of the checksum in the generated identifier. For example, if you use the specification <code>\$N\$C</code> , the checksum is appended to the end of the identifier. This token is available only for shared utilities.

Identifier Format Control Parameter Values lists the default macro string, the supported tokens, and the applicable restrictions for each **Identifier format control** parameter.

### Identifier Format Control Parameter Values

Parameter	Default Value	Supported Tokens	Restrictions
Global variables	rt\$N\$M	\$R, \$N, \$M	\$F, \$H, \$A, and \$I are not allowed.
Global types	\$N\$R\$M_T	\$N, \$R, \$M	\$F, \$H, \$A, and \$I are not allowed.
Field name of global types	\$N\$M	\$N, \$M, \$H, \$A	\$R, \$F, and \$I are not allowed.
Subsystem methods	\$F\$N\$M	\$R, \$N, \$M, \$F, \$H	\$F and \$H are empty for Stateflow functions; \$A and \$I are not allowed.
Subsystem method arguments	rt\$I\$N\$M	\$N, \$M, \$I	\$R, \$F, \$H, and \$A are not allowed.
Local temporary variables	\$N\$M	\$N, \$M, \$R, \$A	\$F, \$H, and \$I are not allowed.
Local block output variables	rtb_ \$N\$M	\$N, \$M, \$A	\$R, \$F, \$H, and \$I are not allowed.
Constant macros	\$R\$N\$M	\$R, \$N, \$M	\$F, \$H, \$A, and \$I are not allowed.
Shared utilities	\$N\$C	\$N, \$C, \$R	\$C is required. \$M, \$F, \$H, \$A, and \$I are not allowed.

Non-ERT-based targets (such as the GRT target) implicitly use a default `$R$N$M` specification. This default specification consists of the root model name, followed by the name of the generating object (signal, parameter, state, and so on), followed by a name mangling string.

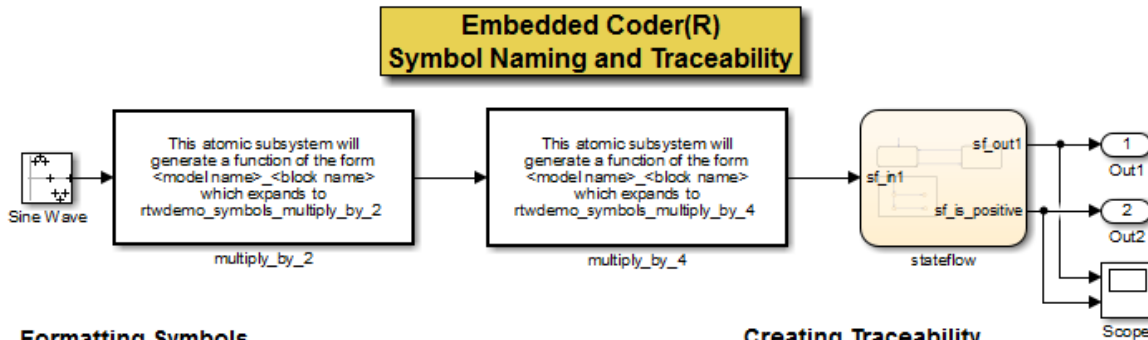
For limitations that apply to **Identifier format control** parameters, see “Exceptions to Identifier Formatting Conventions” on page 16-31 and “Identifier Format Control Parameters Limitations” on page 16-32.

### Control Formatting of Identifiers

This example shows how you can customize generated identifiers by specifying the **Identifier format control** parameters on the **Code Generation > Symbols** pane in the Configuration Parameters dialog box.

```
model='rtwdemo_symbols';
```

```
open_system(model)
```



## Formatting Symbols

Symbols in Embedded Coder(R) can be formatted via the "Identifier format control" option group. These options can be composed of predefined macros and C-language literal characters.

Common macros include

- \$R** = Root model name
- \$N** = Name of object (block, signal, state, etc.)
- \$M** = Mangle used to uniquely symbol

For a complete list of macros and the rules by which they are expanded, see the Symbol format help link below.

Different identifier format control strings control different types of identifiers. Double-click the yellow buttons at the bottom to modify the format control strings for global variable names and global type names. Double-click the blue button to generate and inspect code for the change.

▶ [Double-click to view symbol format](#)

▶ [Double-click to view symbol format help](#)

Global variable names  
contain model name.  
(double-click to toggle)

Global structure type names  
contain model name.  
(double-click to toggle)

Generate Code Using  
Embedded Coder  
(double-click)

Copyright 1994-2012 The MathWorks, Inc.

```
% Cleanup
rtwdemoclean;
close_system(model,0)
```

## Creating Traceability

One aspect of traceability is making sure that incremental revisions to a model have minimal impact on the symbol names that appear in generated code. There are two ways of achieving this in Simulink:

- 1) Name objects in Simulink (blocks, signals, states, etc.) as uniquely as possible.
- 2) Make use of name mangling when conflicts cannot be avoided.

For a complete discussion of how name mangling can be used to create traceable code, see the help link below.

▶ [Double-click to view mangle settings](#)

▶ [Double-click to view traceability help](#)

## Control Name Mangling in Generated Identifiers

The position of the \$M token in the **Identifier format control** parameter specification determines the position of the name mangling string in the generated identifiers. For example, if you use the specification \$R\$N\$M, the name mangling string is appended (if required) to the end of the identifier. For more information, see “Identifier Format Control” on page 16-22.

### Name Mangling String Per Object

Object Type	Source of Mangling String
Block diagram	Name of block diagram
Simulink block	Simulink identifier (for details, see “Locate Diagram Components Using Simulink Identifiers”)
Simulink parameter	Full name of parameter owner (model or block) and parameter name
Simulink signal	Signal name, full name of source block, and port number
Stateflow objects	Complete path to Stateflow block and Stateflow computed name (unique within chart)

The length of the name mangling string is specified by the **Minimum mangle length** parameter. The default value is 1, but this automatically increases during code generation as a function of the number of collisions. To minimize disturbance to the generated code during development, specify a larger **Minimum mangle length**. A **Minimum mangle length** of 4 is a conservative value. A value of 4 allows for over 1.5 million collisions for a particular identifier before the mangle length is increased.

### Minimize Name Mangling

The length of generated identifiers is limited by the **Maximum identifier length** parameter. When a name collision exists, the \$M token is expanded to the minimum number of characters required to avoid the collision. Other tokens and character strings are expanded in the order listed in Identifier Format Tokens. If the **Maximum identifier length** is not large enough to accommodate full expansions of the other tokens, partial expansions are used. To avoid partial expansions, it is good practice to:

- Avoid name collisions. One way to avoid name collisions is to not use default block names (for example, Gain1, Gain2...) when there are many blocks of the same type in the model.

- Where possible, increase the **Maximum identifier length** to accommodate the length of the identifiers that you expect to generate.
- Set the **Maximum identifier length** parameter to reserve at least three characters for the name mangling string. The length of the name mangling string increases as the number of name collisions increases.

If changes to the model create more or fewer collisions, an existing name mangling string increases or decreases in length. If the length of the name mangling string increases, additional characters are appended to the existing string. For example, the mangling string 'xyz' can change to 'xyzQ'. For fewer collisions, the name mangling string 'xyz' changes to 'xy'.

## Avoid Identifier Name Collisions with Referenced Models

Within a model that uses referenced models, collisions between the names of the models are not allowed. When generating code from a model that uses model referencing:

- You must include the **\$R** token in the **Identifier format control** parameter specifications (in addition to the **\$M** token).
- The **Maximum identifier length** must be large enough to accommodate full expansions of the **\$R** and **\$M** tokens. If **Maximum identifier length** is too small, a code generation error occurs.

When a name conflict occurs between an identifier within the scope of a higher-level model and an identifier within the scope of a referenced model, the identifier from the referenced model is preserved. Name mangling is performed on the identifier from the higher-level model.

If your model contains two referenced models with the same input or output port names, and one of the referenced models contains an atomic subsystem with “Function packaging” set to `Nonreuseable function`, a name conflict can occur and the build process produces an error.

## Use Model Advisor to Detect Identifier Names Changed During Code Generation

For a referenced model, if the following **Configuration Parameters > Code Generation > Symbols** parameters have settings that do not contain a **\$R** token (which represents the name of the reference model), code generation prepends the **\$R** token to the identifier format.

- **Global variables**
- **Global types**
- **Subsystem methods**
- **Constant macros**

You can use the Model Advisor to identify referenced models in a model referencing hierarchy for which code generation changes these configuration parameter settings.

- 1 In the Simulink Editor, select **Analysis > Model Advisor**.
- 2 Select **By Task**.

- 3** Run the **Check code generation identifier formats used for model reference** check.

## Maintain Traceability for Generated Identifiers

To verify your model, you can trace back and forth between generated identifiers and corresponding entities within the model. To maintain traceability, it is important that incremental revisions to a model have minimal impact on the identifier names that appear in generated code. There are two ways to minimally impact the identifier names:

- Choose unique names for Simulink objects (blocks, signals, states, and so on) as much as possible.
- Use name mangling when conflicts cannot be avoided.

The position of the name mangling string is specified by the placement of the **\$M** token in the **Identifier format control** parameters. Mangle characters consist of alphanumeric characters that are unique to each object. For more information, see “Control Name Mangling in Generated Identifiers” on page 16-26.



## Exceptions to Identifier Formatting Conventions

There are some exceptions to the identifier formatting conventions described in “Identifier Format Control” on page 16-22.

- Type name generation: name mangling conventions do not apply to type names (that is, `typedef` statements) generated for global data types. If the `$R` token is included in the **Identifier format control** parameter specification, the model name is included in the `typedef`. When generating type definitions, the **Maximum identifier length** parameter is not respected.
- Non-`Auto` storage classes: the **Identifier format control** parameters specification does not affect objects (such as signals and parameters) that have a storage class other than `Auto` (such as `ImportedExtern` or `ExportedGlobal`).
- For shared utilities, code generation inserts the checksum specified by `$C` to prevent name collisions in the following situations:
  - `$C` is specified without `$N`.
  - The length of `$N` plus the length of the text that you specify exceeds the **Maximum identifier length**. Code generation truncates `$N` and inserts an 8-character checksum where you specified `$C` in the formatting string.

## Identifier Format Control Parameters Limitations

The following limitations apply to the **Identifier format control** parameters:

- The following autogenerated identifiers currently do not fully comply with the setting of the **Maximum identifier length** parameter on the **Code Generation > Symbols** pane of the Configuration Parameters dialog box.
  - Model methods
    - The applicable format string is `$R$F`, and the longest `$F` is `_derivatives`, which is 12 characters long. The model name can be up to 19 characters without exceeding the default **Maximum identifier length** of 31.
  - Local functions generated by S-functions or by add-on products such as DSP System Toolbox that rely on S-functions
  - Local variables generated by S-functions or by add-on products such as DSP System Toolbox that rely on S-functions
  - DW identifiers generated by S-functions in referenced models
  - Fixed-point shared utility macros or shared utility functions
  - Simulink `rtm` macros
    - Most are within the default **Maximum identifier length** of 31, but some exceed the limit. Examples are `RTMSpecAccsGetStopRequestedValStoredAsPtr`, `RTMSpecAccsGetErrorStatusPointer`, and `RTMSpecAccsGetErrorStatusPointerPointer`.
  - Define protection guard macros
    - Header file guards, such as `_RTW_HEADER_$(filename)_h_`, which can exceed the default **Maximum identifier length** of 31 given a filename such as `$R_private.h`.
    - Include file guards, such as `_$R_COMMON_INCLUDES_`.
    - `typedef` guards, such as `_CSCI_$R_CHARTSTRUCT_`.
- In some situations, the following identifiers potentially can conflict with others.
  - Model methods
  - Reentrant model function arguments

- Local functions generated by S-functions or by add-on products such as DSP System Toolbox that rely on S-functions
- Local variables generated by S-functions or by add-on products such as DSP System Toolbox that rely on S-functions
- Fixed-point shared utility macros or shared utility functions
- Include header guard macros
- The following external identifiers that are unknown to the Simulink software might conflict with autogenerated identifiers.
  - Identifiers defined in custom code
  - Identifiers defined in custom header files
  - Identifiers introduced through a non-ANSI C standard library
  - Identifiers defined by custom TLC code
- Identifiers generated for simulation targets might exceed the **Maximum identifier length**. Simulation targets include the model reference simulation target, the accelerated simulation target, the RSim target, and the S-function target.
- Identifiers generated using a model name and bus object data type name, which are both long names, might exceed the **Maximum identifier length**. For example, a ground value variable name is generated as `<model_name>_rtZ<bus_name>`. If the *model\_name* and *bus\_name* are close to the maximum identifier length, the name exceeds the maximum identifier length.

## Control Code Style

### In this section...

“Control Parentheses in Generated Code” on page 16-35

“Control Indentation Style in Generated Code” on page 16-37

“Control Cast Expressions in Generated Code” on page 16-38

You can change the code style, cast expressions, and indentation of your generated code to conform to certain coding standards. Modify style options by setting parameters on the **Code Generation > Code Style** pane.

In the generated code, you can control the following style aspects:

- Level of parenthesization, see “Control Parentheses in Generated Code” on page 16-35.
- Order of operands in expressions, see “Preserve operand order in expression”.
- Empty primary condition expressions in `if` statements, see “Preserve condition expression in if statement”.
- Whether to generate code for `if-elseif-else` decision logic as `switch-case` statements, see “Convert if-elseif-else patterns to switch-case statements”.
- Whether to include the `extern` keyword in function declarations, see “Preserve extern keyword in function declarations”.
- Whether to generate `default` cases for `switch-case` statements in the code for Stateflow charts, see “Suppress generation of default cases for Stateflow switch statements if unreachable”.
- Whether to replace multiplications by powers of two with signed bitwise shifts, see “Replace multiplications by powers of two with signed bitwise shifts”. Some coding standards, such as MISRA, do not allow bitwise operations on signed integers. Clearing this option increases the likelihood of generating MISRA C:2012 compliant code.
- Cast expressions, see “Control Cast Expressions in Generated Code” on page 16-38.
- Indentation style, see “Control Indentation Style in Generated Code” on page 16-37.

## Control Parentheses in Generated Code

C code contains some syntactically required parentheses, and can contain additional parentheses that change semantics by overriding default operator precedence. C code can also contain optional parentheses that have no functional significance, but only increase the readability of the code. Optional C parentheses vary between two stylistic extremes:

- Include the minimum parentheses required by C syntax and precedence overrides so that C precedence rules specify all semantics unless overridden by parentheses.
- Include the maximum parentheses that can exist without duplication so that C precedence rules become irrelevant. Parentheses alone completely specify all semantics.

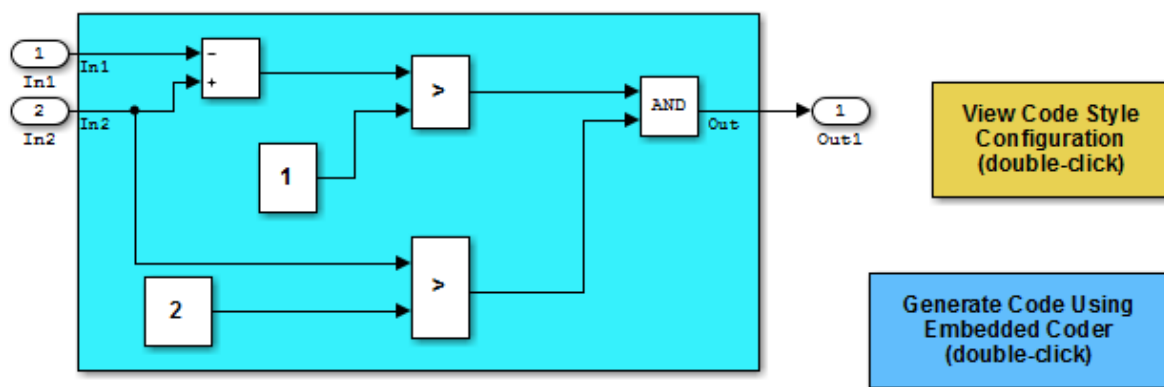
Understanding code with minimum parentheses can require applying nonobvious precedence rules. Maximum parentheses can hinder code reading by belaboring obvious precedence rules. Various parenthesization standards exist that specify one or the other extreme, or define an intermediate style useful to people who read code.

For more information on this parameter, see “Parentheses level”.

### Control Use of Parentheses

This example shows that Embedded Coder® provides three levels of control for parentheses in the generated code.

```
model='rtwdemo_parentheses';  
open_system(model)
```



Parentheses level "Minimum": `Out = In2 - In1 > 1.0 && In2 > 2.0;`

Parentheses level "Nominal": `Out = ((In2 - In1 > 1.0) && (In2 > 2.0));`

Parentheses level "Maximum": `Out = (((In2 - In1) > 1.0) && (In2 > 2.0));`

### Description

Embedded Coder(R) provides three levels of control for parentheses in the generated code. The control level "Minimum" generates the most compact code, with the smallest number of parentheses allowed under C syntax rules. The control level "Nominal" adds parentheses as needed to optimize readability. The control level "Maximum" generates the largest number of parentheses. The parentheses explicitly define the sequence of operations in an expression without relying on C precedence rules. Specifying control level "Maximum" provides full compliance with the MISRA-C(TM) standard.

### Instructions

1. View and set the parentheses level by double-clicking the yellow button to the right.
2. Generate code by double-clicking the blue button to the right.  
An HTML report is displayed automatically.
3. Inspect the generated source files, comparing them with the three code examples above.

Copyright 2006-2012 The MathWorks, Inc.

```
rtwdemoclean;
```

```
close_system(model,0)
```

## Control Indentation Style in Generated Code

For code indentation, you can set the following parameters:

- “Indent style” controls the placement of braces in generated code.
- “Indent size” controls the number of characters per indent level in generated code (2–8 characters).

You can set **Indent style** to K&R or Allman style.

### K&R

K&R stands for Kernighan and Ritchie. Each function has the opening and closing brace on its own line at the same level of indentation as the function header. Code within the function is indented according to the **Indent size**.

For blocks within a function, opening braces are on the same line as the control statement. Closing braces are on a new line at the same level of indentation as the control statement. Code within the block is indented according to the **Indent size**.

For example, here is generated code with the **Indent style** set to K&R with an **Indent size** of 2:

```
void rt_OneStep(void)
{
    static boolean_T OverrunFlag = 0;
    if (OverrunFlag) {
        rtmSetErrorStatus(rtwdemo_counter_M, "Overrun");
        return;
    }

    OverrunFlag = TRUE;
    rtwdemo_counter_step();
    OverrunFlag = FALSE;
}
```

### Allman

Each function has the opening and closing brace on its own line at the same level of indentation as the function header. Code within the function is indented according to the **Indent size**.

For blocks within a function, opening and closing braces for control statements are on a new line at the same level of indentation as the control statement. This is the key difference between K&R and Allman styles. Code within the block is indented according to the **Indent size**.

For example, here is generated code with the **Indent style** set to Allman with an **Indent size** of 4:

```
void rt_OneStep(void)
{
    static boolean_T OverrunFlag = 0;
    if (OverrunFlag)
    {
        rtmSetErrorStatus(rtwdemo_counter_M, "Overrun");
        return;
    }

    OverrunFlag = TRUE;
    rtwdemo_counter_step();
    OverrunFlag = FALSE;
}
```

## Control Cast Expressions in Generated Code

You can choose how the code generator specifies data type casts in the generated code. In the Configuration Parameters dialog box, select **Code Generation > Code Style**. From the **Casting modes** drop-down list, three parameter options control how the code generator casts data types.

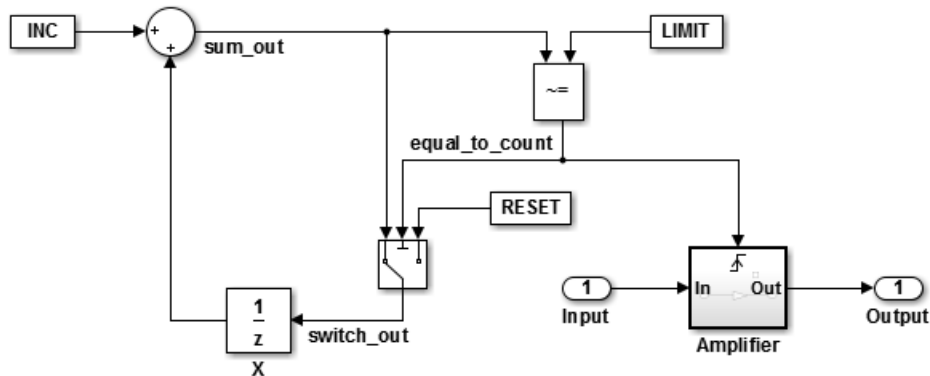
- **Nominal** instructs the code generator to generate code that has minimal data type casting. When you do not have special data type information requirements, choose **Nominal**.
- **Standards Compliant** instructs the code generator to cast data types to conform to MISRA standards when it generates code. The MISRA data type casting eliminates common MISRA standard violations, including address arithmetic and assignment. It reduces 10.1, 10.2, 10.3, and 10.4 violations.

For more information, see “MISRA C Guidelines” on page 2-5.

- **Explicit** instructs the code generator to cast data type values explicitly when it generates code. You can see how a value is stored, which tells you how much memory space the code uses for the variable. The data type informs you how much precision is possible in calculations involving the variable.



Open the example model `rtwdemo_rtweccintro`.



### Enable Nominal Casting Mode and Generate Code

When you choose `Nominal` casting mode, the code generator does not create data type casts for variables in the generated code.

- 1 On the **Code Generation > Code Style** pane, from the **Casting modes** drop-down list, select `Nominal`.
- 2 On the **Code Generation > Report** pane, select **Create code generation report**.
- 3 On the **Code Generation** pane, select **Generate code only**.
- 4 Click **Apply**.
- 5 In the model window, press **Ctrl+B** to generate code.
- 6 In the Code Generation report left pane, click `rtwdemo_rtweccintro.c` to see the code.

```

/* Model step function */
void rtwdemo_rtweccintro_step(void)
{
    boolean_T rtb_equal_to_count;

    /* Sum: 'XRootX/Sum' incorporates:
     * Constant: 'XRootX/INC'
     * UnitDelay: 'XRootX/X'
     */
    rtDWork.X++;

```

```
/* RelationalOperator: 'XRootX/RelOpt' incorporates:
 * Constant: 'XRootX/LIMIT'
 */
rtb_equal_to_count = (rtDWork.X != 16);

/* Outputs for Triggered SubSystem: 'XRootX/Amplifier' incorporates:
 * TriggerPort: 'XS1X/Trigger'
 */
if (rtb_equal_to_count && (rtPrevZCSigState.Amplifier_Trig_ZCE != POS_ZCSIG))
{
    /* Output: 'XRootX/Output' incorporates:
     * Gain: 'XS1X/Gain'
     * Inport: 'XRootX/Input'
     */
    rtY.Output = rtU.Input << 1;
}

rtPrevZCSigState.Amplifier_Trig_ZCE = (uint8_T)(rtb_equal_to_count ? (int32_T)
    POS_ZCSIG : (int32_T)ZERO_ZCSIG);

/* End of Outputs for SubSystem: 'XRootX/Amplifier' */

/* Switch: 'XRootX/Switch' */
if (!rtb_equal_to_count) {
    /* Update for UnitDelay: 'XRootX/X' incorporates:
     * Constant: 'XRootX/RESET'
     */
    rtDWork.X = 0U;
}

/* End of Switch: 'XRootX/Switch' */
}
```

### Enable Standards Compliant Casting Mode and Generate Code

When you choose **Standards Compliant** casting mode, the code generator creates MISRA standards compliant data type casts for variables in the generated code.

- 1 On the **Code Style** pane, from the **Casting modes** drop-down list, select **Standards Compliant**.
- 2 On the **Code Generation** pane, click **Apply**.
- 3 In the model window, press **Ctrl+B** to generate code.

- 4 In the Code Generation report left pane, click `rtwdemo_rtwecintro.c` to see the code.

```

void rtwdemo_rtwecintro_step(void)
{
    boolean_T rtb_equal_to_count;

    /* Sum: '<Root>/Sum' incorporates:
     * Constant: '<Root>/INC'
     * UnitDelay: '<Root>/X'
     */
    rtDWork.X++;

    /* RelationalOperator: '<Root>/RelOpt' incorporates:
     * Constant: '<Root>/LIMIT'
     */
    rtb_equal_to_count = (boolean_T)(int32_T)((int32_T)rtDWork.X != (int32_T)16);

    /* Outputs for Triggered SubSystem: '<Root>/Amplifier' incorporates:
     * TriggerPort: '<S1>/Trigger'
     */
    if (((int32_T)rtb_equal_to_count) && (rtPrevZCSigState.Amplifier_Trig_ZCE !=
        POS_ZCSIG)) {
        /* Output: '<Root>/Output' incorporates:
         * Gain: '<S1>/Gain'
         * Inport: '<Root>/Input'
         */
        rtY.Output = (int32_T)(uint32_T)((uint32_T)rtU.Input << (uint32_T)(int8_T)1);
    }

    rtPrevZCSigState.Amplifier_Trig_ZCE = (uint8_T)(int32_T)(rtb_equal_to_count ?
        (int32_T)(uint8_T)POS_ZCSIG : (int32_T)(uint8_T)ZERO_ZCSIG);

    /* End of Outputs for SubSystem: '<Root>/Amplifier' */

    /* Switch: '<Root>/Switch' */
    if (!rtb_equal_to_count) {
        /* Update for UnitDelay: '<Root>/X' incorporates:
         * Constant: '<Root>/RESET'
         */
        rtDWork.X = 0U;
    }

    /* End of Switch: '<Root>/Switch' */
}

```

```
}

```

### Enable Explicit Casting Mode and Generate Code

When you choose `Explicit` casting mode, the code generator creates explicit data type casts for variables in the generated code.

- 1 On the **Code Style** pane, from the **Casting modes** drop-down list, select `Explicit`.
- 2 On the **Code Generation** pane, click **Apply**.
- 3 In the model window, press **Ctrl+B** to generate code.
- 4 In the Code Generation report left pane, click `rtwdemo_rtweccintro.c` to see the code.

```
/* Model step function */
void rtwdemo_rtweccintro_step(void)
{
    boolean_T rtb_equal_to_count;

    /* Sum: '<Root>/Sum' incorporates:
     * Constant: '<Root>/INC'
     * UnitDelay: '<Root>/X'
     */
    rtDWork.X = (uint8_T)(1U + (uint32_T)(int32_T)rtDWork.X);

    /* RelationalOperator: '<Root>/RelOpt' incorporates:
     * Constant: '<Root>/LIMIT'
     */
    rtb_equal_to_count = (boolean_T)((int32_T)rtDWork.X != 16);

    /* Outputs for Triggered SubSystem: '<Root>/Amplifier' incorporates:
     * TriggerPort: '<S1>/Trigger'
     */
    if (((int32_T)rtb_equal_to_count) && ((int32_T)((int32_T)
        rtPrevZCSigState.Amplifier_Trig_ZCE != (int32_T)POS_ZCSIG)) {
        /* Output: '<Root>/Output' incorporates:
         * Gain: '<S1>/Gain'
         * Inport: '<Root>/Input'
         */
        rtY.Output = rtU.Input << 1;
    }

    rtPrevZCSigState.Amplifier_Trig_ZCE = (uint8_T)(rtb_equal_to_count ? (int32_T)
        POS_ZCSIG : (int32_T)ZERO_ZCSIG);
}

```

```
/* End of Outputs for SubSystem: '<Root>/Amplifier' */

/* Switch: '<Root>/Switch' */
if (!(int32_T)rtb_equal_to_count) {
    /* Update for UnitDelay: '<Root>/X' incorporates:
       * Constant: '<Root>/RESET'
       */
    rtDWork.X = 0U;
}

/* End of Switch: '<Root>/Switch' */
}
```

## More About

- “Code Generation Pane: Code Style”

## Customize Code Organization and Format

### In this section...

“Custom File Processing Components” on page 16-44

“Custom File Processing Configuration” on page 16-45

Custom file processing (CFP) tools allow you to customize the organization and formatting of your generated code. With these tools, you can:

- Generate a source (.c or .cpp) or header (.h) file. Using a *custom file processing template* (CFP template), you can control how code emits to the standard generated model files (for example, *model.c* or *model.cpp*, *model.h*) or generate files that are independent of model code.
- Organize generated code into sections (such as includes, **typedefs**, functions, and more). Your CFP template can emit code (for example, functions), directives (such as **#define** or **#include** statements), or comments into each section.
- Generate custom *file banners* (comment sections) at the start and end of generated code files and custom *function banners* that precede functions in the generated code.
- Generate code to call model functions, such as *model\_initialize*, *model\_step*, and so on.
- Generate code to read and write model inputs and outputs.
- Generate a main program module.
- Obtain information about the model and the generated files from the model.

### Custom File Processing Components

The custom file processing features are based on the following interrelated components:

- *Code generation template* (CGT) files: a CGT file defines the top-level organization and formatting of generated code. See “Code Generation Template (CGT) Files” on page 16-47.
- The *code template API*: a high-level Target Language Compiler (TLC) API that provides functions with which you can organize code into named sections and subsections of generated source and header files. The code template API also provides utilities that return information about generated files, generate standard model calls, and perform other functions. See “Code Template API Summary” on page 16-69.

- *Custom file processing (CFP) templates*: a CFP template is a TLC file that manages the process of custom code generation. A CFP template assembles code to be generated into buffers. A CFP template also calls the code template API to emit the buffered code into specified sections of generated source and header files. A CFP template interacts with a CGT file, which defines the ordering of major sections of the generated code. See “Custom File Processing (CFP) Templates” on page 16-53.

To use CFP templates, you must understand TLC programming, for more information, see “Target Language Compiler”.

## Custom File Processing Configuration

Customize generated code by specifying code and data templates on the **Code Generation > Templates** pane:

Goal	Action
Specify a template that defines the top-level organization and formatting of generated source code (.c or .cpp) files	Enter a code generation template (CGT) file for the <b>Source file (*.c) template</b> parameter.
Specify a template that defines the top-level organization and formatting of generated header (.h) files	Enter a CGT file for the <b>Header file (*.h) template</b> parameter. This template file can be the same template file that you specify for <b>Source file (.c) template</b> . If you use the same template file, source and header files contain identical banners. The default template is <code>matlabroot/toolbox/rtw/targets/ecoder/ert_code_template.cgt</code> .
Specify a template that organizes generated code into sections (such as includes, typedefs, functions, and more)	Enter a custom file processing (CFP) template file for the “File customization template” parameter. A CFP template can emit code, directives, or comments into each section. For more information, see “Custom File Processing (CFP) Templates” on page 16-53.
Generate a model-specific example main program module	Select <b>Generate an example main program</b> . For more information, see “Generate a Standalone Program” on page 22-2.

---

**Note:** Place the template files that you specify on the MATLAB path.

---

## Specify Templates For Code Generation

To use custom file processing features, create CGT files and CFP templates. These files are based on default templates provided by the code generation software. Once you have created your templates, you must integrate them into the code generation process.

Select and edit CGT files and CFP templates, and specify their use in the code generation process in the **Code Generation > Templates** pane of a model configuration set. The following figure shows options configured for their defaults.

The options related to custom file processing are:

- The **Source file (.c) template** field in the **Code templates** and **Data templates** sections. This field specifies the name of a CGT file to use when generating source (.c or .cpp) files. You must place this file on the MATLAB path.
- The **Header file (.h) template** field in the **Code templates** and **Data templates** sections. This field specifies the name of a CGT file to use when generating header (.h) files. You must place this file on the MATLAB path.

By default, the template for both source and header files is matlabroot/toolbox/rtw/targets/ecoder/ert\_code\_template.cgt.

- The **File customization template** edit field in the **Custom templates** section. This field specifies the name of a CFP template file to use when generating code files. You must place this file on the MATLAB path. The default CFP template is matlabroot/toolbox/rtw/targets/ecoder/example\_file\_process.tlc.

In each of these fields, click **Browse** to navigate to and select an existing CFP template or CGT file. Click **Edit** to open the specified file into the MATLAB editor where you can customize it.



## Code Generation Template (CGT) Files

Code Generation Template (CGT) files define the top-level organization and formatting of generated source code and header files. CGT files have the following applications:

- Generation of custom banners (comments sections) in code files. See “Generate Custom File and Function Banners” on page 16-72.
- Generation of custom code using a CFP template requires a CGT file. To use CFP templates, you must understand the CGT file structure. In many cases, however, you can use the default CGT file without modifying it.

### Default CGT file

The code generation software provides a default CGT file, `matlabroot/toolbox/rtw/targets/ecoder/ert_code_template.cgt`. Base your custom CGT files on the default file.

### CGT File Structure

A CGT file consists of one required section and four optional sections:

#### Code Insertion Section

(Required) This section contains tokens that define an ordered partitioning of the generated code into a number of sections (such as `Includes` and `Defines` sections). Tokens have the form of:

```
%<SectionName>
```

For example,

```
%<Includes>
```

The code generation software defines a minimal set of required tokens. These tokens generate C or C++ source or header code. They are *built-in* tokens (see “Built-In Tokens and Sections” on page 16-48). You can also define custom tokens and custom sections.

Each token functions as a placeholder for a corresponding section of generated code. The ordering of the tokens defines the order in which the corresponding sections appear in the generated code. If you do not include a token, then the corresponding section is not

generated. To generate code into a given section, explicitly call the code template API from a CFP template, as described in “Custom File Processing (CFP) Templates” on page 16-53.

The CGT tokens define the high-level organization of generated code. Using the code template API, you can partition each code section into named subsections, as described in “Subsections” on page 16-50.

In the code insertion section, you can also insert C or C++ comments between tokens. Such comments emit directly into the generated code.

### **File Banner Section**

(Optional) This section contains comments and tokens you use in generating a custom file banner.

### **Function Banner Section**

(Optional) This section contains comments and tokens for use in generating a custom function banner.

### **Shared Utility Function Banner Section**

(Optional) This section contains comments and tokens for use in generating a custom shared utility function banner.

### **File Trailer Section**

(Optional) This section contains comments for use in generating a custom trailer banner.

For more information on these sections, see “Generate Custom File and Function Banners” on page 16-72.

## **Built-In Tokens and Sections**

The following code extract shows the required code insertion section of the default CGT file with the required built-in tokens.

```
%%%%%%%%%%%%%%%%%%%%%%%%%%%%%%%%%%%%%%%%%%%%%%%%%%%%%%%%%%  
%% Code insertion section (required)  
%% These are required tokens. You can insert comments and other tokens in  
%% between them, but do not change their order or remove them.  
%%
```

```

%<Includes>
%<Defines>
%<Types>
%<Enums>
%<Definitions>
%<Declarations>
%<Functions>

```

Note the following requirements for customizing a CGT file:

- Do not remove required built-in tokens.
- Built-in tokens must appear in the order shown because each successive section has dependencies on previous sections.
- Only one token per line.
- Do not repeat tokens.
- You can add custom tokens and comments to the code insertion section as long as you do not violate the previous requirements.

---

**Note:** If you modify a CGT file and then rebuild your model, the code generation process does not force a top model build. To regenerate the code, see “Force Regeneration of Top Model Code”.

---

The following table summarizes the built-in tokens and corresponding section names, and describes the code sections.

### Built-In CGT Tokens and Corresponding Code Sections

Token and Section Name	Description
Includes	<code>#include</code> directives section
Defines	<code>#define</code> directives section
Types	<code>typedef</code> section. <code>Typedefs</code> can depend on a previously defined type
Enums	Enumerated types section
Definitions	Data definitions (for example, <code>double x = 3.0;</code> )
Declarations	Data declarations (for example, <code>extern double x;</code> )
Functions	C or C++ functions

## Subsections

You can define one or more named subsections for any section. Some of the built-in sections have predefined subsections summarized in table Subsections Defined for Built-In Sections.

---

**Note:** Sections and subsections emit to the source or header file in the order listed in the CGT file.

---

Using the custom section feature, you can define additional sections. See “Generate a Custom Section” on page 16-62.

### Subsections Defined for Built-In Sections

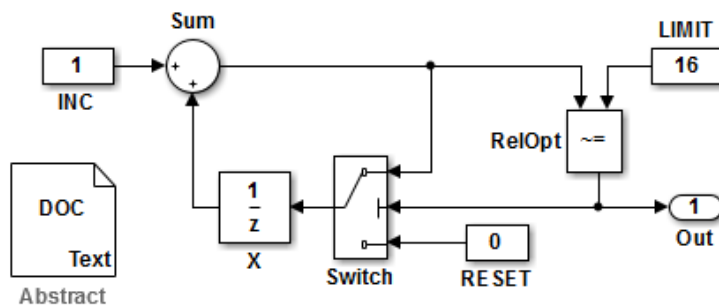
Section	Subsections	Subsection Description
Includes	N/A	
Defines	N/A	
Types	IntrinsicTypes	Intrinsic typedef section. Intrinsic types depend only on intrinsic C or C++ types.
Types	PrimitiveTypedefs	Primitive typedef section. Primitive typedefs depend only on intrinsic C or C++ types and on typedefs previously defined in the IntrinsicTypes section.
Types	UserTop	You can place any type of code in this section, including code that has dependencies on the previous sections.
Types	Typedefs	typedef section. Typedefs can depend on previously defined types
Enums	N/A	
Definitions	N/A	
Declarations	N/A	
Functions		C or C++ functions
Functions	CompilerErrors	#error directives
Functions	CompilerWarnings	#warning directives

Section	Subsections	Subsection Description
Functions	Documentation	Documentation (comment) section
Functions	UserBottom	You can place any code in this section.

## Format Generated Code Files Using Templates

This example shows how to use code generation templates to add custom code banners, rearrange data and functions, and insert additional code segments and documentation into generated code files.

```
model='rtwdemo_codetemplate';  
open_system(model)
```



Generate Code Using  
Embedded Coder  
(double-click)

View Templates  
Configuration  
(double-click)

<S:Note>This Simulink annotation maps to the code template %<Note> symbol.

### Description

This model extracts text from the Model Description, a DOC block, and a Simulink annotation. The Simulink annotation maps to the code template %<Note> symbol. Many symbols are available that extract information from a model automatically. Refer to Module Packaging Features in the Embedded Coder documentation to see a complete list.

Many organizations employ coding standards that include consistent file layout and elaboration. Embedded Coder provides extensible code generation templates for formatting generated code. The layout and format of the code template file controls the output of the generated code.

Code generation templates (.cgt files) allow you to add custom code banners, rearrange data and functions, and insert additional code segments and documentation into generated code files. Code generation templates are picked up automatically from the MATLAB path and employed during the code generation process. For this model, the code generation template "rtwdemocodetemplate.cgt" is used.

### Instructions

1. Double-click the yellow View Templates Configuration button to view the templates configuration.
2. Click the Edit button to the right of the "rtwdemocodetemplate.cgt" template, and inspect the code template.
3. Double-click the blue button in the upper right to generate code. An HTML report appears automatically.
4. Open `rtwdemo_codetemplate.c` to inspect the generated code for this model.

Copyright 1994-2012 The MathWorks, Inc.

```
rtwdemoclean;
close_system(model,0)
```

## Custom File Processing (CFP) Templates

The files provided to support custom file processing are:

- `matlabroot/rtw/c/tlc/mw/codetemplatelib.tlc`: A TLC function library that implements the code template API. `codetemplatelib.tlc` also provides the comprehensive documentation of the API in the comments headers preceding each function.
- `matlabroot/toolbox/rtw/targets/ecoder/example_file_process.tlc`: An example custom file processing (CFP) template, which you should use as the starting point for creating your own CFP templates. Guidelines and examples for creating a CFP template are provided in “Generate Source and Header Files with a Custom File Processing (CFP) Template” on page 16-57.
- TLC files supporting generation of single-rate and multirate main program modules (see “Customizing Main Program Module Generation” on page 16-61).

Once you have created a CFP template, you must integrate it into the code generation process, using the **File customization template** edit field. See “Specify Templates For Code Generation” on page 16-46.

### Custom File Processing (CFP) Template Structure

A custom file processing (CFP) template imposes a simple structure on the code generation process. The template, a code generation template (CGT) file, partitions the code generated for each file into a number of sections. These sections are summarized in Built-In CGT Tokens and Corresponding Code Sections and Subsections Defined for Built-In Sections.

Code for each section is assembled in buffers and then emitted, in the order listed, to the file being generated.

To generate a file section, your CFP template must first assemble the code to be generated into a buffer. Then, to emit the section, your template calls the TLC function

```
LibSetSourceFileSection(fileH, section, tmpBuf)
```

where

- `fileH` is a file reference to a file being generated.
- `section` is the code section or subsection to which code is to be emitted. `section` must be one of the section or subsection names listed in Subsections Defined for Built-In Sections.

Determine the `section` argument as follows:

- If Subsections Defined for Built-In Sections does not define subsections for a given section, use the section name as the `section` argument.
- If Subsections Defined for Built-In Sections defines one or more subsections for a given section, you can use either the section name or a subsection name as the `section` argument.
- If you have defined a custom token denoting a custom section, do not call `LibSetSourceFileSection`. Special API calls are provided for custom sections (see “Generate a Custom Section” on page 16-62).
- `tmpBuf` is the buffer containing the code to be emitted.

There is no requirement to generate all of the available sections. Your template need only generate the sections you require in a particular file.

Note that legality or syntax checking is not performed on the custom code within each section.

See “Generate Source and Header Files with a Custom File Processing (CFP) Template” on page 16-57, for typical usage examples.



## Change the Organization of a Generated File

The files created during code generation are organized according to the general code generation template. This template has the filename `ert_code_template.cgt`, and is specified by default in **Code Generation > Templates** pane of the Configuration Parameters dialog box.

The following fragment shows the `rtwdemo_mpf.c` file header that is generated using this default template:

```
/*
 * File: rtwdemo_mpf.c
 *
 * Code generated for Simulink model 'rtwdemo_mpf'.
 *
 * Model version           : 1.88
 * Simulink Coder version  : 8.0 (R2011a) 26-Aug-2010
 * TLC version            : 7.6 (Sep 3 2010)
 * C/C++ source code generated on : Thu Sep 09 10:10:14 2010
 *
 * Target selection: ert.tlc
 * Embedded hardware selection: Generic->32-bit Embedded Processor
 * Code generation objectives: Unspecified
 * Validation result: Not run
 */
```

You can change the organization of generated files using code templates and data templates. Code templates organize the files that contain functions, primarily. Data templates organize the files that contain identifiers. In this procedure, you organize the generated files, using the supplied code and data templates:

- 1 Display the active **Templates** configuration parameters.
- 2 In the **Code templates** section of the **Templates** pane, type `code_c_template.cgt` into the **Source file (\*.c) templates** text box.
- 3 Type `code_h_template.cgt` into the **Header file (\*.h) templates** text box.
- 4 In the **Data templates** section, type `data_c_template.cgt` into the **Source file (\*.c) templates** text box.
- 5 Type `data_h_template.cgt` into the **Header file (\*.h) templates** text box, and click **Apply**.
- 6 In the model window, press **Ctrl+B**. Now the files are organized using the templates you specified. For example, the `rtwdemo_mpf.c` file header now is organized like this:

```
/**
```

```
*****
** FILE INFORMATION:
** Filename:          rtwdemo_mpf.c
** File Creation Date: 09-Sep-2010
**
** ABSTRACT:
**
**
** NOTES:
**
**
** MODEL INFORMATION:
** Model Name:        rtwdemo_mpf
** Model Description: Data packaging examples
** Model Version:     1.89
** Model Author:      The MathWorks Inc. - Mon Mar 01 11:23:00 2004
**
** MODIFICATION HISTORY:
** Model at Code Generation: ssulliva - Thu Sep 09 10:19:35 2010
**
** Last Saved Modification: ssulliva - Thu Sep 09 10:19:13 2010
**
**
*****
** /
```

## Generate Source and Header Files with a Custom File Processing (CFP) Template

### In this section...

“Generate Code with a CFP Template” on page 16-57

“Analysis of the Example CFP Template and Generated Code” on page 16-59

“Generate a Custom Section” on page 16-62

“Custom Tokens” on page 16-64

This example shows you the process of generating a simple source (`.c` or `.cpp`) and header (`.h`) file using the example CFP template. Then, it examines the template and the code generated by the template.

The example CFP template, `matlabroot/toolbox/rtw/targets/ecoder/example_file_process.tlc`, demonstrates some of the capabilities of the code template API, including

- Generation of simple source (`.c` or `.cpp`) and header (`.h`) files
- Use of buffers to generate file sections for includes, functions, and so on
- Generation of includes, defines, into the standard generated files (for example, `model.h`)
- Generation of a main program module

### Generate Code with a CFP Template

This section sets up a CFP template and configures a model to use the template in code generation. The template generates (in addition to the standard model files) a source file (`timestwo.c` or `.cpp`) and a header file (`timestwo.h`).

Follow the steps below to become acquainted with the use of CFP templates:

- 1 Copy the example CFP template, `matlabroot/toolbox/rtw/targets/ecoder/example_file_process.tlc`, to a folder outside of the MATLAB folder structure (that is, not under *matlabroot*). If the folder is not on the MATLAB path or the TLC path, then add it to the MATLAB path. It is good practice to locate the CFP template in the same folder as your system target file, which is on the TLC path.

- 2 Rename the copied `example_file_process.tlc` to `test_example_file_process.tlc`.
- 3 Open `test_example_file_process.tlc` into the MATLAB editor.
- 4 Uncomment the following line:

```
%% %assign ERTCustomFileTest = TLC_TRUE
```

It now reads:

```
%assign ERTCustomFileTest = TLC_TRUE
```

If `ERTCustomFileTest` is not assigned as shown, the CFP template is ignored in code generation.

- 5 Save your changes to the file. Keep `test_example_file_process.tlc` open, so you can refer to it later.
- 6 Open the `rtwdemo_udt` model.
- 7 Open the Simulink Model Explorer. Select the active configuration set of the model, and open the **Code Generation** pane of the active configuration set.
- 8 On the **Templates** tab, in the **File customization template** field, specify `test_example_file_process.tlc`. This is the file you previously edited and is now the specified CFP template for your model.
- 9 On the **General** tab, select the **Generate code only** check box.
- 10 Click **Apply**.
- 11 In the model window, press **Ctrl+B**. During code generation, notice the following message in the **Diagnostic Viewer**:

```
Warning: Overriding example ert_main.c!
```

This message is displayed because `test_example_file_process.tlc` generates the main program module, overriding the default action of the ERT target. This is explained in greater detail below.

- 12 The `rtwdemo_udt` model is configured to generate an HTML code generation report. After code generation is complete, view the report.

Notice that the **Generated Code** list contains the following files:

- Under **Main file**, `ert_main.c`.
- Under **Other files**, `timestwo.c` and `timestwo.h`.

The files were generated by the CFP template. The next section examines the template to learn how this was done.

- 13 Keep the model, the code generation report, and the `test_example_file_process.tlc` file open so you can refer to them in the next section.

## Analysis of the Example CFP Template and Generated Code

This section examines excerpts from `test_example_file_process.tlc` and some of the code it generates. Refer to the comments in `matlabroot/rtw/c/tlc/mw/codetemplatelib.tlc` while reading the following discussion.

### Generating Code Files

Source (`.c` or `.cpp`) and header (`.h`) files are created by calling `LibCreateSourceFile`, as in the following excerpts:

```
%assign cFile = LibCreateSourceFile("Source", "Custom", "timestwo")
...
%assign hFile = LibCreateSourceFile("Header", "Custom", "timestwo")
```

Subsequent code refers to the files by the file reference returned from `LibCreateSourceFile`.

### File Sections and Buffers

The code template API lets you partition the code generated to each file into sections, tagged as `Definitions`, `Includes`, `Functions`, `Banner`, and so on. You can append code to each section as many times as required. This technique gives you a great deal of flexibility in the formatting of your custom code files.

`Subsections Defined for Built-In Sections` describes the available file sections and their order in the generated file.

For each section of a generated file, use `%openfile` and `%closefile` to store the text for that section in temporary buffers. Then, to write (append) the buffer contents to a file section, call `LibSetSourceFileSection`, passing in the desired section tag and file reference. For example, the following code uses two buffers (`typesBuf` and `tmpBuf`) to generate two sections (tagged `"Includes"` and `"Functions"`) of the source file `timestwo.c` or `.cpp` (referenced as `cFile`):

```
%openfile typesBuf
#include "rtwtypes.h"
%closefile typesBuf
%<LibSetSourceFileSection(cFile,"Includes",typesBuf)>

%openfile tmpBuf

/* Times two function */
real_T timestwofcn(real_T input) {
    return (input * 2.0);
}

%closefile tmpBuf

%<LibSetSourceFileSection(cFile,"Functions",tmpBuf)>
```

These two sections generate the entire `timestwo.c` or `.cpp` file:

```
#include "rtwtypes.h"

/* Times two function */
FLOAT64 timestwofcn(FLOAT64 input)
{
    return (input * 2.0);
}
```

### Adding Code to Standard Generated Files

The `timestwo.c` or `.cpp` file generated in the previous example was independent of the standard code files generated from a model (for example, `model.c` or `.cpp`, `model.h`, and so on). You can use similar techniques to generate custom code within the model files. The code template API includes functions to obtain the names of the standard models files and other model-related information. The following excerpt calls `LibGetMdlPubHdrBaseName` to obtain the name for the `model.h` file. It then obtains a file reference and generates a definition in the `Defines` section of `model.h`:

```
%% Add a #define to the model's public header file model.h

%assign pubName = LibGetMdlPubHdrBaseName()
%assign modelH = LibCreateSourceFile("Header", "Simulink", pubName)

%openfile tmpBuf
```

```
#define ACCELERATION 9.81

%closefile tmpBuf

%<LibSetSourceFileSection(modelH, "Defines", tmpBuf)>
```

Examine the generated `rtwdemo_udd.h` file to see the generated `#define` directive.

### Customizing Main Program Module Generation

Normally, the ERT target determines whether and how to generate an `ert_main.c` or `.cpp` module based on the settings of the **Generate an example main program** and **Target operating system** options on the **Templates** pane of the Configuration Parameters dialog box. You can use a CFP template to override the normal behavior and generate a main program module customized for your target environment.

To support generation of main program modules, two TLC files are provided:

- `bareboard_srmain.tlc`: TLC code to generate an example single-rate main program module for a bareboard target environment. Code is generated by a single TLC function, `FcnSingleTaskingMain`.
- `bareboard_mrmain.tlc`: TLC code to generate a multirate main program module for a bareboard target environment. Code is generated by a single TLC function, `FcnMultiTaskingMain`.

In the example CFP template file `matlabroot/toolbox/rtw/targets/ecoder/example_file_process.tlc`, the following code generates either a single- or multitasking `ert_main.c` or `.cpp` module. The logic depends on information obtained from the code template API calls `LibIsSingleRateModel` and `LibIsSingleTasking`:

```
%% Create a simple main. Files are located in MATLAB/rtw/c/tlc/mw.

#if LibIsSingleRateModel() || LibIsSingleTasking()
    %include "bareboard_srmain.tlc"
    %<FcnSingleTaskingMain(>
#else
    %include "bareboard_mrmain.tlc"
    %<FcnMultiTaskingMain(>
#endif
```

Note that `bareboard_srmain.tlc` and `bareboard_mrmain.tlc` use the code template API to generate `ert_main.c` or `.cpp`.

When generating your own main program module, you disable the default generation of `ert_main.c` or `.cpp`. The TLC variable `GenerateSampleERTMain` controls generation

of `ert_main.c` or `.cpp`. You can directly force this variable to `TLC_FALSE`. The examples `bareboard_mrmain.tlc` and `bareboard_srmain.tlc` use this technique, as shown in the following excerpt from `bareboard_srmain.tlc`.

```
%if GenerateSampleERTMain
    %assign CompiledModel.GenerateSampleERTMain = TLC_FALSE
    %warning Overriding example ert_main.c!
%endif
```

Alternatively, you can implement a `SelectCallback` function for your target. A `SelectCallback` function is a MATLAB function that is triggered during model loading, and also when the user selects a target with the System Target File browser. Your `SelectCallback` function should deselect and disable the **Generate an example main program** option. This prevents the TLC variable `GenerateSampleERTMain` from being set to `TLC_TRUE`.

See the “`rtwgensettings` Structure” section for information on creating a `SelectCallback` function.

The following code illustrates how to deselect and disable the **Generate an example main program** option in the context of a `SelectCallback` function.

```
slConfigUISetVal(hDlg, hSrc, 'GenerateSampleERTMain', 'off');
slConfigUISetEnabled(hDlg, hSrc, 'GenerateSampleERTMain', 0);
```

---

**Note** Creation of a main program for your target environment requires some customization; for example, in a bareboard environment you need to attach `rt_OneStep` to a timer interrupt. It is expected that you will customize either the generated code, the generating TLC code, or both. See “Guidelines for Modifying the Main Program” on page 22-4 and “Guidelines for Modifying `rt_OneStep`” on page 22-9 for further information.

---

## Generate a Custom Section

You can define custom tokens in a CGT file and direct generated code into an associated built-in section. This feature gives you additional control over the formatting of code within each built-in section. For example, you could add subsections to built-in sections that do not already define subsections. Custom sections must be associated with one of the built-in sections: `Includes`, `Defines`, `Types`, `Enums`, `Definitions`, `Declarations`, or `Functions`. To create custom sections, you must



- Add a custom token to the code insertion section of your CGT file.
- In your CFP file:
  - Assemble code to be generated to the custom section into a buffer.
  - Declare an association between the custom section and a built-in section, with the code template API function `LibAddSourceFileCustomSection`.
  - Emit code to the custom section with the code template API function `LibSetSourceFileCustomSection`.

The following code examples illustrate the addition of a custom token, `Myincludes`, to a CGT file, and the subsequent association of the custom section `Myincludes` with the built-in section `Includes` in a CFP file.

---

**Note:** If you have not already created custom CGT and CFP files for your model, copy the default template files `matlabroot/toolbox/rtw/targets/ecoder/ert_code_template.cgt` and `matlabroot/toolbox/rtw/targets/ecoder/example_file_process.tlc` to a work folder that is outside the MATLAB folder structure but on the MATLAB or TLC path, rename them (for example, add the prefix `test_` to each file), and update the **Templates** pane of the Configuration Parameters dialog box to reference them.

---

First, add the token `Myincludes` to the code insertion section of your CGT file. For example:

```
%<Includes>
%<Myincludes>
%<Defines>
%<Types>
%<Enums>
%<Definitions>
%<Declarations>
%<Functions>
```

Next, in the CFP file, add code to generate `include` directives into a buffer. For example, in your copy of the example CFP file, you could insert the following section between the `Includes` section and the `Create a simple main` section:

```
%% Add a custom section to the model's C file model.c

%openfile tmpBuf
#include "moretables1.h"
```

```
#include "moretables2.h"
%closefile tmpBuf

%<LibAddSourceFileCustomSection(modelC, "Includes", "Myincludes")>
%<LibSetSourceFileCustomSection(modelC, "Myincludes", tmpBuf)>
```

The `LibAddSourceFileCustomSection` function call declares an association between the built-in section `Includes` and the custom section `Myincludes`. `Myincludes` is a subsection of `Includes`. The `LibSetSourceFileCustomSection` function call directs the code in the `tmpBuf` buffer to the `Myincludes` section of the generated file. `LibSetSourceFileCustomSection` is syntactically identical to `LibSetSourceFileSection`.

In the generated code, the include directives generated to the custom section appear after other code directed to `Includes`.

```
#include "rtwdemo_udt.h"
#include "rtwdemo_udt_private.h"

/* #include "mytables.h" */
#include "moretables1.h"
#include "moretables2.h"
```

---

**Note:** The placement of the custom token in this example CGT file is arbitrary. By locating `%<Myincludes>` after `%<Includes>`, the CGT file specifies only that the `Myincludes` code appears after `Includes` code.

---

## Custom Tokens

Custom tokens are automatically translated to TLC syntax as a part of the build process. To escape a token, that is to prepare it for normal TLC expansion, use the `!` character. For example, the token `%<!TokenName>` is expanded to `%<TokenName>` by the template conversion program. You can specify valid TLC code, including TLC function calls: `%<!MyTLCFcn()>`.

## Comparison of a Template and Its Generated File

This figure shows part of a user-modified custom file processing (CFP) template and the resulting generated code. The figure illustrates how you can use a template to:

- Define what code the code generation software should add to the generated file
- Control the location of code in the file
- Optionally insert comments in the generated file

Notice %<Includes>, for example, on the template. The term **Includes** is a symbol name. A percent sign and brackets (%< >) must enclose every symbol name. You can add the desired symbol name (within the %< > delimiter) at a particular location in the template. This is how you control where the code generator places an item in the generated file.

## Template and Generated File



### Mapping Template Specification to Code Generation

This part of the template...	Generates in the file...		Explanation
	Line	Description	
(1) <code>/*#INCLUDES*/ %&lt;Includes&gt;</code>	26–28	An <code>/*#INCLUDES*/</code> comment, followed by <code>#include</code> statements	The code generator adds the C/C++ comment as a header, and then interprets the <code>%&lt;Includes&gt;</code> template symbol to list the required <code>#include</code> statements in the file. This code is first in this section of the file because the template entries are first.
(2) <code>/*#DEFINES*/ %&lt;Defines&gt;</code>	30	A <code>/*#DEFINES*/</code> comment, but no <code>#define</code> statements	Next, the code generator places the comment as a header for <code>#define</code> statements, but the file does not need <code>#define</code> . No code is added.
(3) <code>#pragma string1</code>	31	<code>#pragma</code> statements	While the code generator requires <code>%&lt;&gt;</code> delimiters for template symbols, it can also interpret C/C++ statements in the template without delimiters. In this case, the generator adds the specified statements to the code, following the order in which the statements appear in the template.
(5) <code>#pragma string2</code>	42		
(4) <code>/*DEFINITIONS*/ %&lt;Definitions&gt;</code>	32–41	<code>/*DEFINITIONS*/</code> comment, followed by definitions	The code generator places the comment and definitions in the file between the <code>#pragma</code> statements, according to the order in the template. It also inserts comments (lines 33 and 36) that are preset in the model's Configuration Parameters dialog box.
(6) <code>%&lt;Declarations&gt;</code>	43	No declarations	The file needs no declarations, so the code generator does not generate declarations for this file. The template does not have

This part of the template...		Generates in the file...		Explanation
		Line	Description	
				a comment to provide a header. Line 43 is left blank.
(7)	%<Functions>	44-74	Functions	Finally, the code generator adds functions from the model, plus comments that are preset in the Configuration Parameters dialog box. But it adds no comments as a header for the functions, because the template does not have one. This code is last because the template entry is last.

For a list of template symbols and the rules for using them, see “Template Symbol Groups” on page 16-80, “Template Symbols” on page 16-83, and “Rules for Modifying or Creating a Template” on page 16-86. To set comment options, from the **Simulation** menu, select **Model Configuration Parameters**. On the Configuration Parameters dialog box, select the **Code Generation > Comments** pane. For details, see “Configure Code Comments”.

## Code Template API Summary

Code Template API Functions summarizes the code template API. See the source code in `matlabroot/rtw/c/tlc/mw/codetemplatelib.tlc` for detailed information on the arguments, return values, and operation of these calls.

### Code Template API Functions

Function	Description
<code>LibGetNumSourceFiles</code>	Returns the number of created source files (.c or .cpp and .h).
<code>LibGetSourceFileTag</code>	Returns <code>&lt;filename&gt;_h</code> and <code>&lt;filename&gt;_c</code> for header and source files, respectively, where <code>filename</code> is the name of the model file.
<code>LibCreateSourceFile</code>	Creates a new C or C++ file and returns its reference. If the file already exists, simply returns its reference.
<code>LibGetFileRecordName</code>	Returns a model file name (including the path) without the extension.
<code>LibGetSourceFileFromIdx</code>	Returns a model file reference based on its index. This is useful for a common operation on all files, such as to set the leading file banner of all files.
<code>LibSetSourceFileSection</code>	Adds to the contents of a specified section within a specified file (see also “Custom File Processing (CFP) Template Structure” on page 16-53).
<code>LibIndentSourceFile</code>	Indents a file (from within the TLC environment).
<code>LibCallModelInitialize</code>	Returns code for calling the model's <code>model_initialize</code> function (valid for ERT only).
<code>LibCallModelStep</code>	Returns code for calling the model's <code>model_step</code> function (valid for ERT only).

Function	Description
LibCallModelTerminate	Returns code for calling the model's <i>model_terminate</i> function (valid for ERT only).
LibCallSetEventForThisBaseStep	Returns code for calling the model's set events function (valid for ERT only).
LibWriteModelData	Returns data for the model (valid for ERT only).
LibSetRTModelErrorStatus	Returns the code to set the model error status.
LibGetRTModelErrorStatus	Returns the code to get the model error status.
LibIsSingleRateModel	Returns true if model is single rate and false otherwise.
LibGetModelName	Returns name of the model (without an extension).
LibGetMdlSrcBaseName	Returns the name of model's main source file (for example, <i>model.c</i> or <i>.cpp</i> ).
LibGetMdlPubHdrBaseName	Returns the name of model's public header file (for example, <i>model.h</i> ).
LibGetMdlPrvHdrBaseName	Returns the name of the model's private header file (for example, <i>model_private.h</i> ).
LibIsSingleTasking	Returns <b>true</b> if the model is configured for single-tasking execution.
LibWriteModelInput	Returns the code to write to a particular root input (that is, a model inport block). (valid for ERT only).
LibWriteModelOutput	Returns the code to write to a particular root output (that is, a model outport block). (valid for ERT only).
LibWriteModelInputs	Returns the code to write to root inputs (that is, all model inport blocks). (valid for ERT only)



Function	Description
<code>LibWriteModelOutputs</code>	Returns the code to write to root outputs (that is, all model output blocks). (valid for ERT only).
<code>LibNumDiscreteSampleTimes</code>	Returns the number of discrete sample times in the model.
<code>LibSetSourceFileCodeTemplate</code>	Set the code template to be used for generating a specified source file.
<code>LibSetSourceFileOutputDirectory</code>	Set the folder into which a specified source file is to be generated.
<code>LibAddSourceFileCustomSection</code>	Add a custom section to a source file. The custom section must be associated with one of the built-in (required) sections: <b>Includes</b> , <b>Defines</b> , <b>Types</b> , <b>Enums</b> , <b>Definitions</b> , <b>Declarations</b> , or <b>Functions</b> .
<code>LibSetSourceFileCustomSection</code>	Adds to the contents of a specified custom section within a specified file. The custom section must have been previously created with <code>LibAddSourceFileCustomSection</code> .
<code>LibGetSourceFileCustomSection</code>	Returns the contents of a specified custom section within a specified file.

## Generate Custom File and Function Banners

Using code generation template (CGT) files, you can specify custom file banners and function banners for the generated code files. File banners are comment sections in the header and trailer sections of a generated file. Function banners are comment sections for each function in the generated code. Use these banners to add a company copyright statement, specify a special version symbol for your configuration management system, remove time stamps, and for many other purposes. These banners can contain characters, which propagate to the generated code.

To specify banners, create a custom CGT file with customized banner sections. The build process creates an executable TLC file from the CGT file. The code generation process then invokes the TLC file.

You do not need to be familiar with TLC programming to generate custom banners. You can modify example files that are supplied with the ERT target.

---

**Note** Prior releases supported direct use of customized TLC files as banner templates. You specified these with the **Source file (.c) banner template** and **Header file (.h) banner template** options of the ERT target. You can still use a custom TLC file banner templates, however, you can now use CGT files instead.

---

ERT template options on the **Code Generation > Templates** pane of a configuration set, in the **Code templates** section, support banner generation.

The options for function and file banner generation are:

- “Code templates: Source file (\*.c) template”: CGT file to use when generating source (.c or .cpp) files. Place this file on the MATLAB path.
- “Code templates: Header file (\*.h) template”: CGT file to use when generating header (.h) files. You must place this file on the MATLAB path. This file can be the same template specified in the **Code templates: Source file (\*.c) template** field, in which case identical banners are generated in source and header files.

By default, the template for both source and header files is matlabroot/toolbox/rtw/targets/ecoder/ert\_code\_template.cgt.

- In each of these fields, click **Browse** to navigate to and select an existing CGT file for use as a template. Click **Edit** to open the specified file into the MATLAB editor, where you can customize it.

## Create a Custom File and Function Banner Template

To customize a CGT file for custom banner generation, make a local copy of the default code template and edit it, as follows:

- 1 Activate the configuration set that you want to work with.
- 2 Open the **Code Generation** pane of the active configuration set.
- 3 Click the **Templates** tab.
- 4 By default, the code template specified in the **Code templates: Source file (\*.c) template** and **Code templates: Header file (\*.h) template** fields is `matlabroot/toolbox/rtw/targets/ecoder/ert_code_template.cgt`.
- 5 If you want to use a different template as your starting point, click **Browse** to locate and select a CGT file.
- 6 Click **Edit** button to open the CGT file into the MATLAB editor.
- 7 Save a local copy of the CGT file. Store the copy in a folder that is outside of the MATLAB folder structure, but on the MATLAB path. If required, add the folder to the MATLAB path.
- 8 If you intend to use the CGT file with a custom target, locate the CGT file in a folder under your target root folder.
- 9 Rename your local copy of the CGT file. When you rename the CGT file, update the associated **Code templates: Source file (\*.c) template** or **Code templates: Header file (\*.h) template** field to match the new file name.
- 10 Edit and customize the local copy of the CGT file for banner generation, using the information provided in “Customize a Code Generation Template (CGT) File for File and Function Banner Generation” on page 16-74.
- 11 Save your changes to the CGT file.
- 12 Click **Apply** to update the configuration set.
- 13 Save your model.
- 14 Generate code. Examine the generated source and header files to confirm that they contain the banners specified by the template or templates.

## Customize a Code Generation Template (CGT) File for File and Function Banner Generation

This section describes how to edit a CGT file for custom file and function banner generation. For a description of CGT files, see “Code Generation Template (CGT) Files” on page 16-47.

### Components of the File and Function Banner Sections in the CGT file

In a CGT file, you can modify the following sections: file banner, function banner, shared utility function banner, and file trailer. Each section is defined by open and close tags. The tags specific to each section are shown in the following table.

CGT File Section	Open Tag	Close Tag
File Banner	<FileBanner>	</FileBanner>
Function Banner	<FunctionBanner>	</FunctionBanner>
Shared-utility Banner	<SharedUtilityBanner>	</SharedUtilityBanner>
File Trailer	<FileTrailer>	</FileTrailer>

You can customize your banners by including tokens and comments between the open and close tag for each section. Tokens are typically TLC variables, for example <ModelVersion>, which are replaced with values in the generated code.

---

**Note:** Including C comment indicators, `/*` or `*/`, in the contents of your banner might introduce an error in the generated code.

---

An open tag includes tag attributes. Enclose the value of the attribute in double quotes. The attributes available for an open tag are:

- **width:** specifies the width of the file or function banner comments in the generated code. The default value is 80.
- **style:** specifies the boundary for the file or function banner comments in the generated code.

The open tag syntax is as follows:

```
<OpenTag style = "style_value" width = "num_width">
```

---

**Note:** If the **Configuration Parameters > Code Generation > Language** parameter is set to **C++**, to select a comment style that uses C comment notation (*/\*...\*/*), you must also set the **Configuration Parameters > All Parameters > Comment style** parameter to **Multi-line**. For more information, see “Specify Comment Style” on page 16-14.

---

The built-in style options for the `style` attribute are:

- `classic`

```
/* single line comments */
/*
 * multiple line comments
 * second line
 */
```

- `classic_cpp`

```
// single line comments
//
// multiple line comments
// second line
//
```

- `box`

```
*****/
/* banner contents */
*****/
```

- `box_cpp`

```
////////////////////////////////////
// banner contents //
////////////////////////////////////
```

- `open_box`

```
*****
 * banner contents
*****/
```

- `open_box_cpp`

```
////////////////////////////////////
// banner contents
```

```

////////////////////////////////////
• doxygen

/** single line comments */

/**
 * multiple line comments
 * second line
 */

• doxygen_cpp

/// single line comments

///
/// multiple line comments
/// second line
///

• doxygen_qt

/*! single line comments */

/*!
 * multiple line comments
 * second line
 */

• doxygen_qt_cpp

//! single line comments

//!
//! multiple line comments
//! second line
//!

```

### File Banner

This section contains comments and tokens for use in generating a custom file banner. The file banner precedes C or C++ code generated by the model. If you omit the file banner section from the CGT file, then no file banner emits to the generated code. The following section is the file banner section provided with the default CGT file, matlabroot/toolbox/rtw/targets/ecoder/ert\_code\_template.cgt.

```

%%%%%%%%%%%%%%%%%%%%%%%%%%%%%%%%%%%%%%%%%%%%%%%%%%%%%%%%%%%%%%%%%%%%%%%%

```

```

%% Custom file banner section (optional)
%%
<FileBanner style="classic">
File: %<FileName>

Code generated for Simulink model %<ModelName>.

Model version                : %<ModelVersion>
Simulink Coder version       : %<RTWFileVersion>
TLC version                  : %<TLCVersion>
C/C++ source code generated on : %<SourceGeneratedOn>
%<CodeGenSettings>
</FileBanner>

```

### Summary of Tokens for File Banner Generation

FileName	Name of the generated file (for example, "rtwdemo_udt.c").
FileType	Either "source" or "header". Designates whether generated file is a .c or .cpp file or an .h file.
FileTag	Given file names file.c or .cpp and file.h; the file tags are "file_c" and "file_h", respectively.
ModelName	Name of generating model.
ModelVersion	Version number of model.
RTWFileVersion	Version number of <i>model.rtw</i> file.
RTWFileGeneratedOn	Timestamp of <i>model.rtw</i> file.
TLCVersion	Version of Target Language Compiler.
SourceGeneratedOn	Timestamp of generated file.
CodeGenSettings	Code generation settings for model: target language, target selection, production hardware selection, test hardware selection, code generation objectives (in priority order), and Code Generation Advisor validation result.

### Function Banner

This section contains comments and tokens for use in generating a custom function banner. The function banner precedes C or C++ function generated during the build process. If you omit the function banner section from the CGT file, the default function banner emits to the generated code. The following section is the default function banner section provided with the default CGT file, matlabroot/toolbox/rtw/targets/ecoder/ert\_code\_template.cgt.

```

%%%%%%%%%%%%%%%%%%%%%%%%%%%%%%%%%%%%%%%%%%%%%%%%%%%%%%%%%%%%%%%%%%%%%%%%
%% Custom function banner section (optional)
%% Customize function banners by using the following predefined tokens:
%% %<ModelName>, %<FunctionName>, %<FunctionDescription>, %<Arguments>,
%% %<ReturnType>, %<GeneratedFor>, %<BlockDescription>.
%%
<FunctionBanner style="classic">
<FunctionDescription>
%<BlockDescription>
</FunctionBanner>

```

### Summary of Tokens for Function Banner Generation

FunctionName	Name of function
Arguments	List of function arguments
ReturnType	Return type of function
ModelName	Name of generating model
FunctionDescription	Short abstract about the function
GeneratedFor	Full block path for the generated function
BlockDescription	User input from the <b>Block Description</b> parameter of the block properties dialog box. <b>BlockDescription</b> contains an optional token attribute, <b>style</b> . The only valid value for <b>style</b> is <b>content_only</b> , which is case-sensitive and enclosed in double quotes. Use the <b>content_only</b> style when you want to include only the block description content that you entered in the block parameter dialog. The syntax for the token attribute <b>style</b> is:  %<BlockDescription style = "content_only">

### Shared Utility Function Banner

The shared utility function banner section contains comments and tokens for use in generating a custom shared utility function banner. The shared utility function banner precedes C or C++ shared utility function generated during the build process. If you omit the shared utility function banner section from the CGT file, the default shared utility function banner emits to the generated code. The following section is the default shared utility function banner section provided with the default CGT file, matlabroot/toolbox/rtw/targets/ecoder/ert\_code\_template.cgt.

```

%%%%%%%%%%%%%%%%%%%%%%%%%%%%%%%%%%%%%%%%%%%%%%%%%%%%%%%%%%%%%%%%%%%%%%%%
%% Custom shared utility function banner section (optional)
%% Customize banners for functions generated in shared location by using the

```



```

%% following predefined tokens: %<FunctionName>, %<FunctionDescription>,
%% %<Arguments>, %<ReturnType>.
%%
<SharedUtilityBanner style="classic">
%<FunctionDescription>
</SharedUtilityBanner>

```

### Summary of Tokens for Shared Utility Function Banner Generation

FunctionName	Name of function
Arguments	List of function arguments
ReturnType	Return type of function
FunctionDescription	Short abstract about function

### File Trailer

The file trailer section contains comments for generating a custom file trailer. The file trailer follows C or C++ code generated from the model. If you omit the file trailer section from the CGT file, no file trailer emits to the generated code. The following section is the default file trailer provided in the default CGT file.

```

%%%%%%%%%%%%%%%%%%%%%%%%%%%%%%%%%%%%%%%%%%%%%%%%%%%%%%%%%%%%%%%%%%%%%%%%
%% Custom file trailer section (optional)
%%
<FileTrailer style="classic">
File trailer for generated code.

[EOF]
</FileTrailer>

```

Tokens available for the file banner are available for the file trailer. See Summary of Tokens for File Banner Generation.

## Template Symbols and Rules

### In this section...

“Introduction” on page 16-80

“Template Symbol Groups” on page 16-80

“Template Symbols” on page 16-83

“Rules for Modifying or Creating a Template” on page 16-86

### Introduction

“Template Symbol Groups” on page 16-80 and “Template Symbols” on page 16-83 describe custom file processing (CFP) template symbols and rules for using them. The location of a symbol in one of the supplied template files (`code_c_template.cgt`, `code_h_template.cgt`, `data_c_template.cgt`, or `data_h_template.cgt`) determines where the items associated with that symbol are located in the corresponding generated file. “Template Symbol Groups” on page 16-80 identifies the symbol groups, starting with the parent (“Base”) group, followed by the children of each parent. “Template Symbols” on page 16-83 lists the symbols alphabetically.

### Template Symbol Groups

Symbol Group	Symbol Names in This Group
Base (Parents)	Declarations Defines Definitions Documentation Enums Functions Includes Types
Declarations	ExternalCalibrationLookup1D

<b>Symbol Group</b>	<b>Symbol Names in This Group</b>
	ExternalCalibrationLookup2D ExternalCalibrationScalar ExternalVariableScalar
Defines	LocalDefines LocalMacros
Definitions	FilescopeCalibrationLookup1D FilescopeCalibrationLookup2D FilescopeCalibrationScalar FilescopeVariableScalar GlobalCalibrationLookup1D GlobalCalibrationLookup2D GlobalCalibrationScalar GlobalVariableScalar

Symbol Group	Symbol Names in This Group
Documentation	Abstract Banner Created Creator Date Description FileName History LastModifiedDate LastModifiedBy ModelName ModelVersion ModifiedBy ModifiedComment ModifiedHistory
	Notes ToolVersion
Functions	CFunctionCode
Types	This parent has no children.

## Template Symbols

Symbol Name*	Symbol Group	Symbol Scope	Symbol Description (What the symbol puts in the generated file)
Abstract	Documentation	N/A	User-supplied description of the model or file. Placed in the generated file based on the Stateflow note, Simulink annotation, or DocBlock on the model.**
Banner	Documentation	N/A	Comments located near top of the file. Contains information that includes model and software versions, and date file was generated.
CFunctionCode	Functions	File	C/C++ functions. Must be at the bottom of the template.
Created	Documentation	N/A	Date when model was created. From <b>Created on</b> field on Model Properties dialog box.
Creator	Documentation	N/A	User who created model. From <b>Created by</b> field on Model Properties dialog box.
Date	Documentation	N/A	Date file was generated. Taken from computer clock.
Declarations	Base		Data declaration of a signal or parameter. For example, <code>extern real_T globalvar;</code>
Defines	Base	File	Required <code>#defines</code> of <code>.h</code> files.
Definitions	Base	File	Data definitions of signals or parameters.
Description	Documentation	N/A	Description of model. From <b>Model description</b> field on Model Properties dialog box.**

Symbol Name*	Symbol Group	Symbol Scope	Symbol Description (What the symbol puts in the generated file)
Documentation	Base	N/A	Comments about how to interpret the generated files.
Enums	Base	File	Enumerated data type definitions.
ExternalCalibrationLookup1D	Declarations	External	***
ExternalCalibrationLookup2D	Declarations	External	***
ExternalCalibrationScalar	Declarations	External	***
ExternalVariableScalar	Declarations	External	***
FileName	Documentation	N/A	Name of the generated file.
FilescopeCalibrationLookup1D	Definitions	File	***
FilescopeCalibrationLookup2D	Definitions	File	***
FilescopeCalibrationScalar	Definitions	File	***
FilescopeVariableScalar	Definitions	File	***
Functions	Base	File	Generated function code.
GlobalCalibrationLookup1D	Definitions	Global	***
GlobalCalibrationLookup2D	Definitions	Global	***
GlobalCalibrationScalar	Definitions	Global	***
GlobalVariableScalar	Definitions	Global	***
History	Documentation	N/A	User-supplied revision history of the generated files. Placed in the generated file based on the Stateflow note, Simulink annotation, or DocBlock on the model.**
Includes	Base	File	<code>#include</code> preprocessor directives.
LastModifiedDate	Documentation	N/A	Date when model was last saved. From <b>Last saved on</b> field on Model Properties dialog box.

Symbol Name*	Symbol Group	Symbol Scope	Symbol Description (What the symbol puts in the generated file)
LastModifiedBy	Documentation	N/A	User who last saved model. From <b>Last saved by</b> field on Model Properties dialog box.
LocalDefines	Defines	File	<b>#define</b> preprocessor directives from code-generation data objects.
LocalMacros	Defines	File	C/C++ macros local to the file.
ModelName	Documentation	N/A	Name of the model.
ModelVersion	Documentation	N/A	Version number of the Simulink model. From <b>Model version</b> field on Model Properties dialog box.
ModifiedBy	Documentation	N/A	Name of user who last modified the model.
ModifiedComment	Documentation	N/A	Comment user enters in the <b>Modified Comment</b> field on the Log Change dialog box. For more information, see “Log Comments History”.
ModifiedHistory	Documentation	N/A	Text from <b>Model history</b> field on Model Properties dialog box.**
Notes	Documentation	N/A	User-supplied miscellaneous notes about the model or generated files. Placed in the generated file based on the Stateflow note, Simulink annotation, or DocBlock on the model.**
ToolVersion	Documentation	N/A	A list of the versions of the toolboxes used in generating the code.
Types	Base		Data types of generated code.

\* Symbol names must be enclosed between %< >. For example, %<Functions>.

\*\* This symbol can be used to add a comment to the generated files. See “Add Global Comments” on page 16-8. The code generator places the comment in each generated file whose template has this symbol name. The code generator places the comment at the location that corresponds to where the symbol name is located in the template file.

\*\*\* The description can be deduced from the symbol name. For example, GlobalCalibrationScalar is a symbol that identifies a scalar. It contains data of global scope that you can calibrate .

## Rules for Modifying or Creating a Template

The following are the rules for creating a MPF template. “Comparison of a Template and Its Generated File” on page 16-65 illustrates several of these rules.

- 1 Place a symbol on a template within the %< > delimiter. For example, the symbol named `Includes` should look like this on a template: %<Includes>. *Note that symbol names are case sensitive.*
- 2 Place a symbol on a template where desired. Its location on the template determines where the item associated with this symbol is located in the generated file. If no item is associated with it, the symbol is ignored.
- 3 Place a C/C++ statement outside of the %< > delimiter, and on a different line than a %< > delimiter, for that statement to appear in the generated file. For example, `#pragma message ("my text")` in the template results in `#pragma message ("my text")` at the corresponding location in the generated file. Note that the statement must be compatible with your C/C++ compiler.
- 4 Use the `.cgt` extension for every template filename. (“cgt” stands for code generation template.)
- 5 Note that `%% $Revision: 1.1.4.10.4.1 $` appears at the top of the MathWorks supplied templates. This is for internal MathWorks use only. It does not need to be placed on a user-defined template and does not show in a generated file.
- 6 Place a comment on the template between `/* */` as in standard ANSI C<sup>4</sup>. This results in `/*comment*/` on the generated file.
- 7 Each MPF template must have all of the Base group symbols, in predefined order. They are listed in “Template Symbol Groups” on page 16-80. Each symbol in the Base group is a parent. For example, `Declarations` is a parent symbol.

---

4. ANSI is a registered trademark of the American National Standards Institute, Inc.

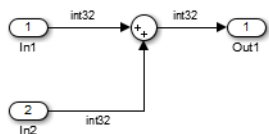


- 8** Each symbol in a non-Base group is a child. For example, `LocalMacros` is a child.
- 9** Except for Documentation children, children must be placed after their parent, before the next parent, and before the `FUNCTIONS` symbol.
- 10** Documentation children can be located before or after their parent in any order anywhere in the template.
- 11** If a non-Documentation child is missing from the template, the code generator places the information associated with this child at its parent location in the generated file.
- 12** If a Documentation child is missing from the template, the code generator omits the information associated with that child from the generated file.

## Annotate Code for Justifying Polyspace Checks

With the Polyspace Code Prover™ product you can apply Polyspace verification to Embedded Coder generated code. The software detects run-time errors in the generated code and helps you to locate and fix model faults.

Polyspace might highlight overflows for certain operations that are legitimate because of the way Embedded Coder implements these operations. Consider the following model and the corresponding generated code.



```

32 /* Sum: '<Root>/Sum' incorporates:
33  * Inport: '<Root>/In1'
34  * Inport: '<Root>/In2'
35  */
36 qY_0 = sat_add_U.In1 + sat_add_U.In2;
37 if ((sat_add_U.In1 < 0) && ((sat_add_U.In2 < 0) && (qY_0 >= 0))) {
38     qY_0 = MIN_int32_T;
39 } else {
40     if ((sat_add_U.In1 > 0) && ((sat_add_U.In2 > 0) && (qY_0 <= 0))) {
41         qY_0 = MAX_int32_T;
42     }
43 }

```

Embedded Coder software recognizes that the largest built-in data type is 32-bit. It is not possible to saturate the results of the additions and subtractions using `MIN_INT32` and `MAX_INT32` and a bigger single-word integer data type. Instead the software detects the results overflow and the direction of the overflow, and saturates the result.

If you do not provide justification for the addition operator on line 36, Polyspace verification generates an orange check that indicates a potential overflow. The verification does not take into account the saturation function of lines 37 to 43. In addition, the trace-back functionality of Polyspace Code Prover does not identify the reason for the orange check.

To justify overflows from operators that are legitimate, on the **Configuration Parameters > Code Generation > Comments** pane:

- Under **Overall control**, select the **Include comments** check box.
- Under **Auto generate comments**, select the **Operator annotations check box**.

When you generate code, the Embedded Coder software annotates the code with comments for Polyspace. For example:

```
32 /* Sum: '<Root>/Sum' incorporates:
33  * Inport: '<Root>/In1'
34  * Inport: '<Root>/In2'
35  */
36 qY_0 = sat_add_U.In1 +/*MW:0v0k*/ sat_add_U.In2;
```

When you run a verification using Polyspace Code Prover, the Polyspace software uses the annotations to justify the operator-related orange checks and assigns the **Not a defect** classification to the checks.

## Manage Placement of Data Definitions and Declarations

### In this section...

“Overview of Data Placement” on page 16-90

“Priority and Usage” on page 16-91

“Ownership Settings” on page 16-96

“Memory Section Settings” on page 16-97

“Data Placement Rules” on page 16-97

“Settings for a Data Object” on page 16-97

“Data Placement Rules and Results” on page 16-105

### Overview of Data Placement

This chapter focuses on module packaging features (MPF) settings that are interdependent. Their combined values, along with Simulink partitioning, determine the file placement of data definitions and declarations, or *data placement*. This includes

- The number of files generated.
- Whether or not the generated files contain definitions for a model's global identifiers. And, if a definition exists, the settings determine the files in which MPF places them.
- Where MPF places global data declarations (**extern**).

The following six MPF settings are distributed among the main procedures and form an important interdependency:

- The **Data definition** field on the **Code Placement** pane of the Configuration Parameters dialog box.
- The **Data declaration** field on the **Code Placement** pane of the Configuration Parameters dialog box.
- The **Owner** field of the data object in the Model Explorer and the checkbox for **Use owner from data object for data definition placement** on the **Code Placement** pane of the Configuration Parameters dialog box. The term "ownership settings" refers to these fields together.
- The **Definition file** field of the data object on the Model Explorer.
- The **Header file** field of the data object on the Model Explorer.
- The **Memory section** field of the data object on the Model Explorer.

## Priority and Usage

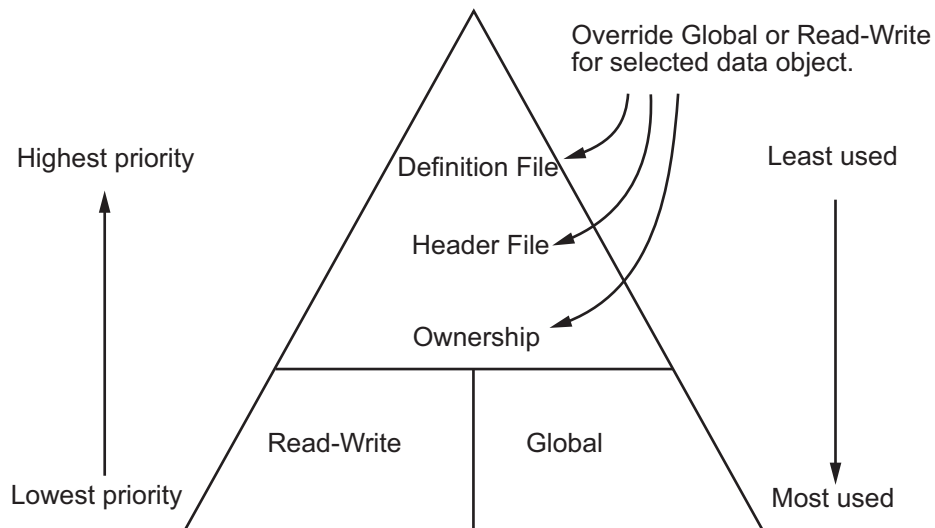
- “Overview” on page 16-91
- “Read-Write Priority” on page 16-92
- “Global Priority” on page 16-95
- “Definition File, Header File, and Ownership Priorities” on page 16-96

### Overview

There is a priority order among interdependent MPF settings. From highest to lowest, the priorities are

- Definition File priority
- Header File priority
- Ownership priority
- Read-Write priority or Global priority

Priority order varies inversely with frequency of use, as illustrated below. For example, Definition File is highest priority but least used.



### MPF Settings Priority and Usage

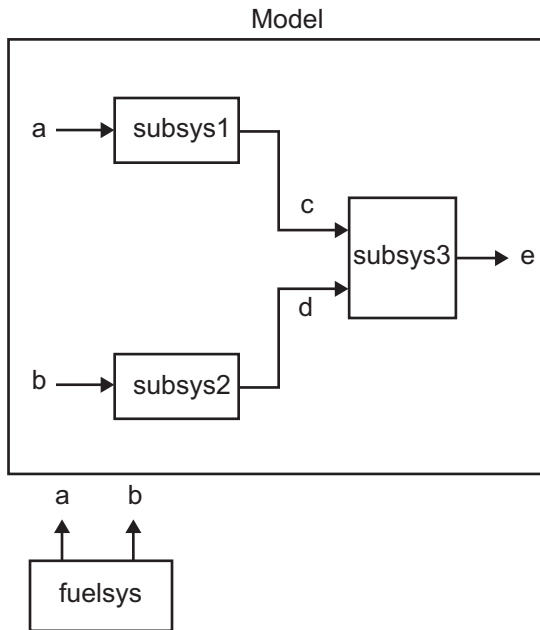
Unless they are overridden, the Read-Write and Global priorities place in the generated files all of the model's MPF-derived data objects that you selected using Data Object Wizard. (See “Create Data Objects for Code Generation with Data Object Wizard” on page 11-2 for details.) Before generating the files, you can use the higher priority Definition file, Header file, and Ownership, as desired, to override Read-Write or Global priorities for single data objects. Most users will employ Read-Write or Global, without an override. A few users, however, will want to do an override for certain data objects. We expect that those users whose applications include multiple modules will want to use the Ownership priority.

The priorities are used only for those data objects that are derived from `Simulink.Signal` and `Simulink.Parameter`, and whose custom storage classes are specified using the Custom Storage Class Designer. (For details, see “Design Custom Storage Classes and Memory Sections” on page 10-9.) Otherwise, the build process determines the data placement.

### **Read-Write Priority**

This is the lowest priority. Consider that a model consists of one or more Simulink blocks or Stateflow diagrams. There can be subsystems within these. For the purpose of illustration, think of a model with one top-level block called `fuelsys`. You double-clicked the block and now see three subsystems labeled `subsys1`, `subsys2` and `subsys3`, as shown in the next figure. Signals `a` and `b` are outputs from the top-level block (`fuelsys`). Signal `a` is an input to `subsys1` and `b` is input to `subsys2`. Signal `c` is an output from `subsys1`. Notice the other inputs and outputs (`d` and `e`). Signals `a` through `e` have corresponding data objects.

As explained in “Data Definition and Declaration Management”, MPF provides you with the means of selecting a data object that you want defined as an identifier in the generated code. MPF also allows you to specify property values for each data object.

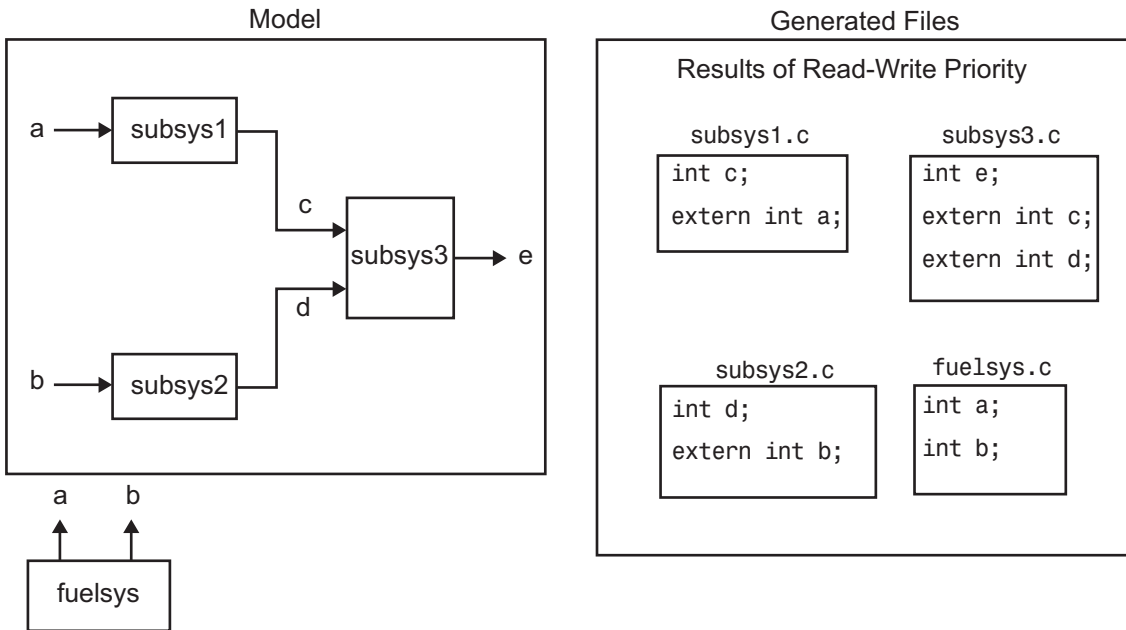


### The Generated Files

We generate code for this model. As shown in the figure below, this results in a `.c` source file corresponding to each of the subsystems. (In actual applications, there could be more than one `.c` source file for a subsystem. This is based on the file partitioning previously selected for the model. But for our illustration, we only need to show one for each subsystem.) Data objects `a` through `e` have corresponding identifiers in the generated files.

A `.c` source file has one or more functions in it, depending on the internal operations (functions) of its corresponding subsystem. An identifier in a generated `.c` file has local scope when it is used only in one function of that `.c` file. An identifier has file scope when more than one function in the same `.c` file uses it. An identifier has global scope when more than one of the generated files uses it.

A subsystem's source file contains the definitions for that subsystem's data objects that have local scope or file scope. (These definitions are not shown in the figure.) But where are the definitions and declarations for data objects of global scope? These are shown in the next figure.



For the Read-Write priority, this source file contains the definitions for the subsystem's global data objects, if this is the file that first writes to the data object's address. Other files that read (use) that data object only include a reference to it. This is why this priority is called Read-Write. Since a read and a write of a file are analogous to input and output of a model's block, respectively, there is another way of saying this. The definitions of a block's global data objects are located in the corresponding generated file, if that data object is an output from that block. The declarations (`extern`) of a block's global data objects are located in the corresponding generated file, if that data object is an input to that block.

#### Settings for Read-Write Priority

The generated files and what they include, as just described, occur when the Read-Write priority is used. For this to be the case, the other priorities are turned off. That is,

- The **Data definition** field on the **Code Placement** pane is set to **Data defined in source file**.
- The **Data declaration** field on the **Code Placement** pane is set to **Data declared in source file**.



- The **Owner** field on the Model Explorer is blank, and the checkbox for the **Use owner from data object for data definition placement** field on the **Code Placement** pane is not checked.
- **Definition file** and **Header file** on the Model Explorer are blank.

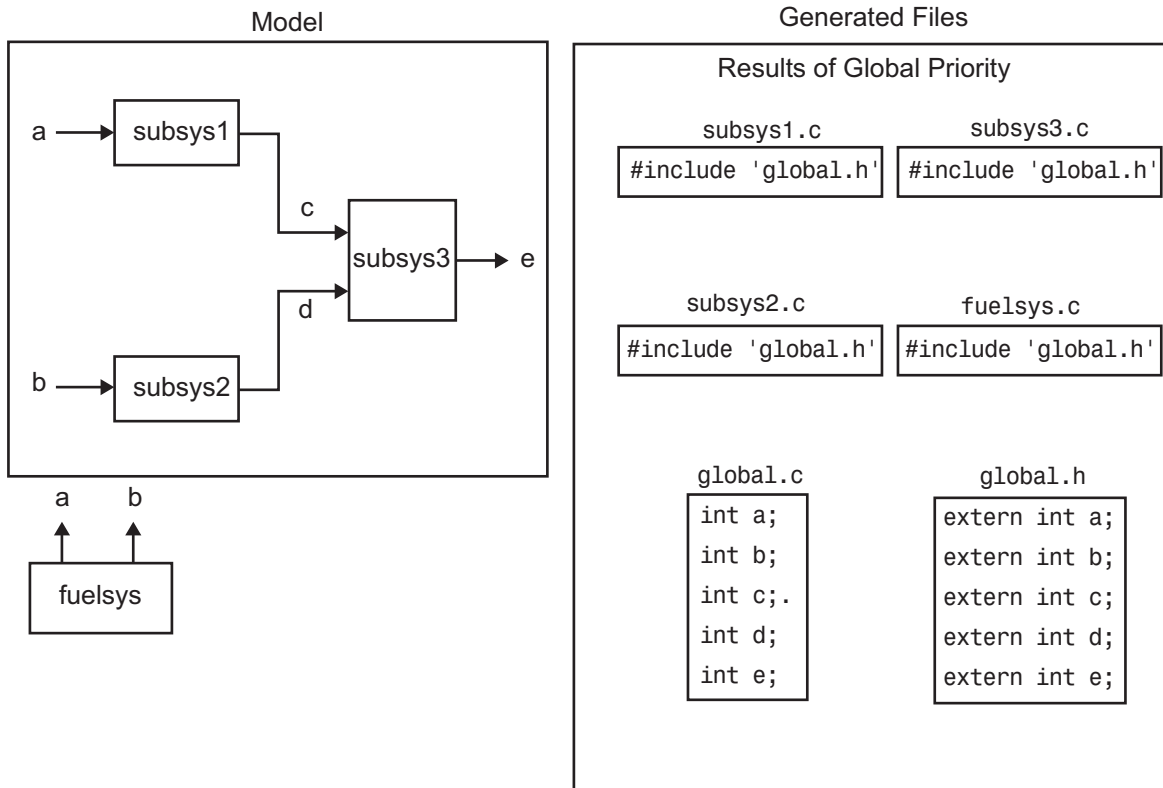
### Global Priority

This has the same priority as Read-Write (the lowest) priority. The settings for this are the same as for Read-Write Priority, except

- The **Data definition** field on the **Code Placement** pane is set to `Data defined in single separate source file`.
- The **Data declaration** field on the **Code Placement** pane is set to `Data declared in single separate header file`.

The generated files that result are shown in the next figure. A subsystem's data objects of local or file scope are defined in the `.c` source file where the subsystem's functions are located (not shown). The data objects of global scope are defined in another `.c` file (called `global.c` in the figure). The declarations for the subsystem's data objects of global scope are placed in a `.h` file (called `global.h`).

For example, data objects of local and file scope for `subsys1` are defined in `subsys1.c`. Signal `c` in the model is an output of `subsys1` and an input to `subsys2`. So `c` is used by more than one subsystem and thus is a global data object. Because of the global priority, the definition for `c` (`int c;`) is in `global.c`. The declaration for `c` (`extern int c;`) is in `global.h`. Since `subsys2` uses (reads) `c`, `#include "global.h"` is in `subsys2.c`.



### Definition File, Header File, and Ownership Priorities

While the Read-Write and Global priorities operate on all MPF-derived data objects that you want defined in the generated code, the remaining priorities allow you to override the Read-Write or Global priorities for one or more particular data objects. There is a high-to-low priority among these remaining priorities — Definition File, Header File, and Ownership — for a particular data object, as shown in MPF Settings Priority and Usage

### Ownership Settings

*Ownership settings* refers to the **ON** or **OFF** setting specified using the **Use owner from data object for data definition placement** checkbox on the **Code Placement** pane of the Configuration Parameters dialog box, and the **Owner** field of a data object in the Model Explorer. These settings control the file placement of data definition and

initialization by specifying a model that owns the data. The settings do not control what files are generated. There are four possible configurations, as shown in “Ownership Settings” on page 16-106.

## Memory Section Settings

Memory sections allow you to specify storage directives for a data object. As shown in Parameter and Signal Property Values, the possible values for the **Memory section** property of a parameter or signal object are **Default**, **MemConst**, **MemVolatile** or **MemConstVolatile**.

If you specify a filename for **Definition file**, and select **Default**, **MemConst**, **MemVolatile** or **MemConstVolatile** for the **Memory section** property, the code generation software generates a **.c** file and an **.h** file. The **.c** file contains the definition for the data object with the **pragma** statement or qualifier associated with the **Memory section** selection. The **.h** file contains the declaration for the data object. The **.h** file can be included, using the preprocessor directive **#include**, in files that need to reference the data object.

You can add more memory sections. For more information, see “Design Custom Storage Classes and Memory Sections” on page 10-9 and “Control Data and Function Placement in Memory by Inserting Pragmas” on page 13-2.

## Data Placement Rules

For a complete set of data placement rules in convenient tabular form, based on the priorities discussed in this chapter, see “Data Placement Rules and Results” on page 16-105.

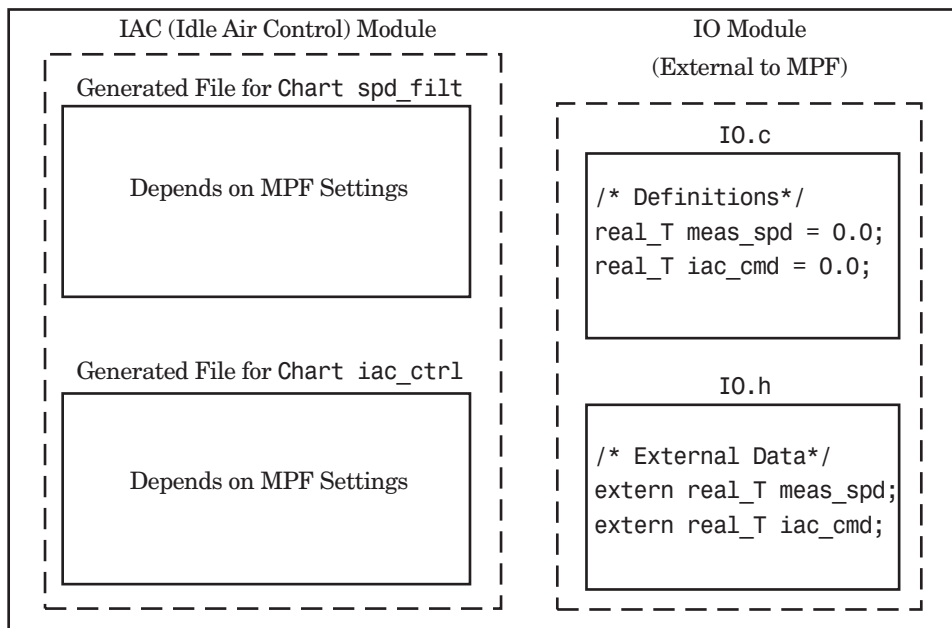
## Settings for a Data Object

- “Introduction” on page 16-98
- “Read-Write” on page 16-99
- “Ownership” on page 16-101
- “Header File” on page 16-102
- “Definition File” on page 16-104

## Introduction

“Settings and Resulting Generated Files” on page 16-106 provides example settings for one data object of a model. Eight examples are listed so that you can see the generated files that result from a wide variety of settings. Four examples from this table are discussed below in more detail. These discussions provide information for understanding settings you might choose. For illustration purposes, the four examples assume that we are dealing with an overall system that controls engine idle speed.

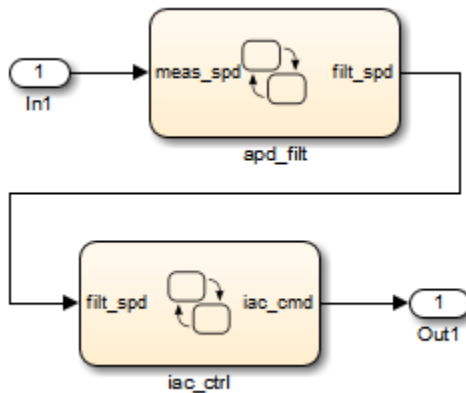
The next figure shows that the software component of this example system consists of two modules, IAC (Idle Air Control), and IO (Input-Output).



Engine Idle Speed Control System

The code in the IO module controls the system's IO hardware. Code is generated only for the IAC module. (Some other means produced the code for the IO module, such as hand-coding.) So the code in IO is external to MPF, and can illustrate legacy code. To simplify matters, the IO code contains one source file, called `IO.c`, and one header file, called `IO.h`.

The IAC module consists of two Stateflow charts, `spd_filt` and `iac_ctrl`. The `spd_filt` chart has two signals (`meas_spd` and `filt_spd`), and one parameter (`a`). The `iac_ctrl` chart also has two signals (`filt_spd` and `iac_cmd`) and a parameter (`ref_spd`). (The parameters are not visible in the top-level charts.) One file for each chart is generated. This example system allows us to illustrate referencing from file to file within the MPF module, and model to external module. It also illustrates the case where there is no such referencing.



Proceed to the discussion of the desired example settings:

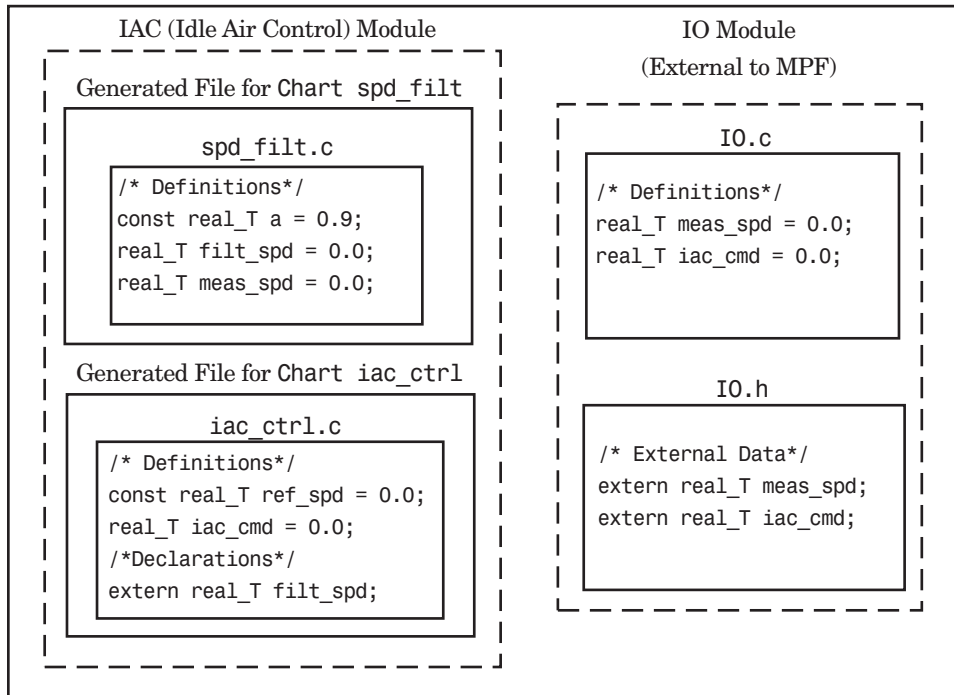
- “Read-Write” on page 16-99
- “Ownership” on page 16-101
- “Header File” on page 16-102
- “Definition File” on page 16-104

### Read-Write

These settings and the generated files that result are shown as Example Settings 1 in “Settings and Resulting Generated Files” on page 16-106. As you can see from the table, this example illustrates the case in which only one `.c` source file (for each chart) is generated.

So, for the IAC model, select the following settings. Accept the **Data defined in source file** in the **Data definition** field and the **Data declared in source file** in the **Data declaration** field on the **Code Placement** pane of the Configuration

Parameters dialog box. Accept the default unchecked **Use owner from data object for data definition placement** field. Accept the default blank settings for the **Owner**, **Definition file** and **Header file** fields on the Model Explorer. For **Memory section**, accept **Default**. Now the Read-Write priority is active. Generate code. The next figure shows the results in terms of definition and declaration statements.



Engine Idle Speed Control System (Read-Write Example)

The code generator generated a `spd_filt.c` for the `spd_filt` chart and `iac_ctrl.c` for the `iac_ctrl` chart. As you can see, MPF placed definitions of data objects for the `spd_filt` chart in `spd_filt.c`. It placed definitions of data objects for the `iac_ctrl` chart in `iac_ctrl.c`.

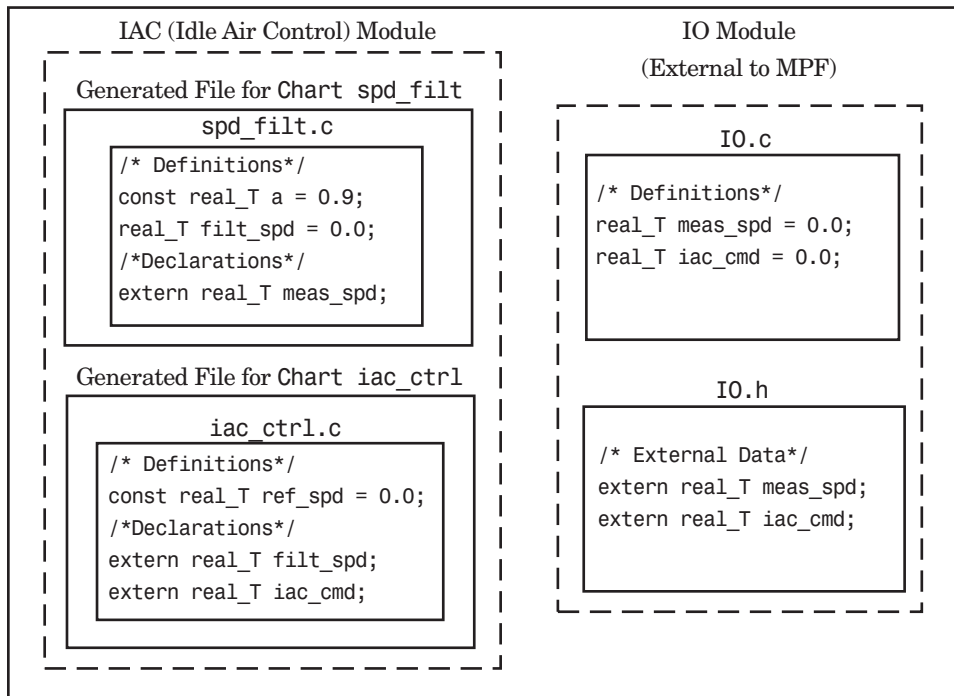
However, notice `real_T filt_spd`. This data object is defined in `spd_filt.c` and declared in `iac_ctrl.c`. That is, since the Read-Write priority is active, `filt_spd` is defined in the file that first writes to its address. And, it is declared in the file that reads (uses) it. Further, `real_T meas_spd` is defined in both `spd_filt.c` and the external `IO.c`. And, `real_T iac_cmd` is defined in both `iac_ctrl.c` and `IO.c`.

## Ownership

See tables “Ownership Settings” on page 16-106 and “Settings and Resulting Generated Files” on page 16-106. In the “Read-Write” on page 16-99, there are several instances where the same data object is defined in more than one .c source file, and there is no declaration (`extern`) statement. This would result in compiler errors during link time. But in this example, we configure MPF Ownership rules so that linking can take place. Notice the Example Settings 2 row in “Settings and Resulting Generated Files” on page 16-106. Except for the ownership settings, assume these are the settings you made for the model in the IAC module. Since this example has no **Definition file** or **Header file** specified, now Ownership takes priority. (If you specified a **Definition file** or **Header file**, MPF ignores the ownership settings.)

On the **Code Placement** pane of the Configuration Parameters dialog box, check the box for the **Use owner from data object for data definition placement** field. Open the Model Explorer (by issuing the MATLAB command `daexplr`) and, for all data objects except `meas_spd` and `iac_cmd`, type IAC in the **Owner** field (case sensitive). Then, only for the `meas_spd` and `iac_cmd` data objects, type IO as their **Owner** (case sensitive). Generate code.

The results are shown in the next figure. Notice the `extern real_T meas_spd` statement in `spd_filt.c`, and `extern real_T iac_cmd` in `iac_ctrl.c`. MPF placed these declaration statements in the files where these data objects are used. This allows the generated source files (`spd_filt.c` and `iac_ctrl.c`) to be compiled and linked with `IO.c`.



Engine Idle Speed Control System (Ownership Example)

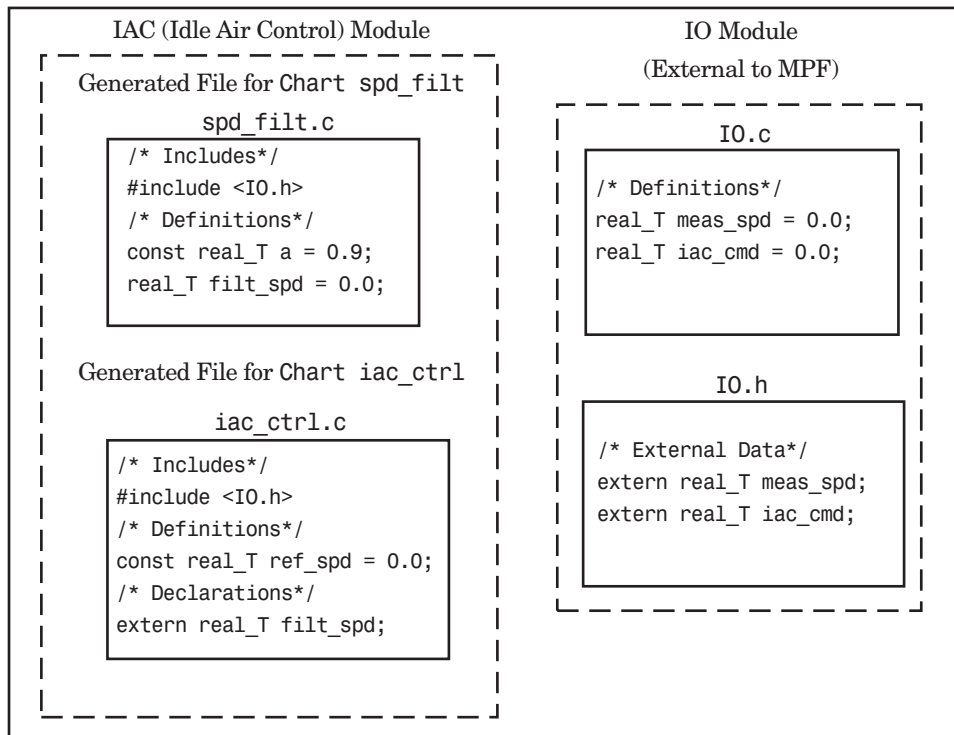
## Header File

These settings and the generated files that result are shown as Example Settings 3 in “Settings and Resulting Generated Files” on page 16-106. This example has no **Definition file** specified. If you specified a **Definition file**, MPF ignores the **Header file** setting. The focus of this example is to show how the **Header file** settings result in the linking of the two chart source files to the external IO files, shown in the next figure. (Also, ownership settings will be used to link the two chart files with each other.)

As you can see in the figure, the `meas_spd` and `iac_cmd` identifiers are defined in `IO.c` and declared in `IO.h`. Both of these identifiers are external to the generated `.c` files. You open the Model Explorer and select both the `meas_spd` and `iac_cmd` data objects. For each of these data objects, in the **Header file** field, specify `IO.h`, since this is where these two objects are declared. This setting allows the `spd_filt.c` source file to compile and link with the external `IO.c` file.



Now we configure the ownership settings. In the Model Explorer, select the `filt_spd` data object and set its **Owner** field to **IAC**. Then, on the **Code Placement** pane of the Configuration Parameters dialog box, check the box for the **Use owner from data object for data definition placement** field. Now the `spd_filt` source file links to the `iac_ctrl` source file. Generate code. See the figure below.



Engine Idle Speed Control System (Header File Example)

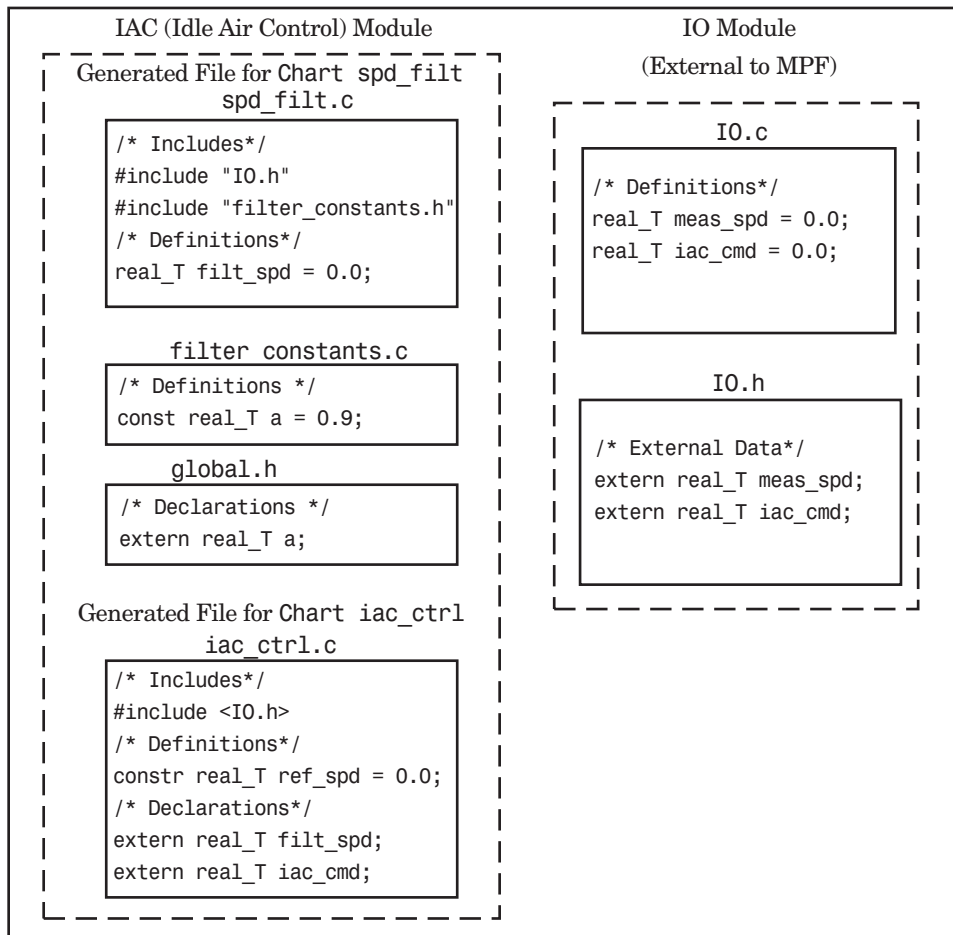
Since you specified the `IO.h` filename for the **Header file** field for the `meas_spd` and `iac_ctrl` objects, the code generator assumed that their declarations are in `IO.h`. So the code generator placed `#include IO.h` in each source file: `spd_filt.c` and `iac_ctrl.c`. So these two files will link with the external IO files. Also, due to the ownership settings that were specified, the code generator places the `real_T filt_spd = 0.0;` definition in `spd_filt.c` and declares the `filt_spd` identifier in `iac_ctrl.c` with `extern real_T iac_cmd;`. Consequently, the two source files will link together.

### **Definition File**

These settings and the generated files that result are shown as Example Settings 4 in “Settings and Resulting Generated Files” on page 16-106. Notice that a definition filename is specified. The settings in the table only apply to the data object called **a**. You have decided that you do not want this object defined in `spd_filt.c`, the generated source file for the `spd_filt` chart. (There are many possible organizational reasons one might want an object declared in another file. It is not important for this example to specify the reason.)

For this example, assume the settings for all data objects are the same as those indicated in “Header File” on page 16-102, except for the data object **a**. The description below identifies only the differences that result from this.

Open the Model Explorer, and select data object **a**. In the **Definition file** field specify a filename. Choose `filter_constants.c`. Generate code. The results are shown in the next figure.



Engine Idle Speed Control System (Definition File Example)

The code generator generates the same files as in the “Header File” on page 16-102, and adds a new file, `filter_constants.c`. Data object `a` now is defined in `filter_constants.c`, rather than in the source file `spd_filt.c`, as it is in the example. This data object is declared with an `extern` statement in `global.h`

## Data Placement Rules and Results

- “Ownership Settings” on page 16-106

- “Settings and Resulting Generated Files” on page 16-106
- “Data Placement Rules” on page 16-108

### Ownership Settings

Row Number	Enable Data Ownership Checkbox	Owner Setting	Result*
1	Off**	Blank**	Embedded Coder determines whether the current model defines and initializes data.
2	Off**	A name is specified.	Embedded Coder determines whether the current model defines and initializes data.
3	On	Blank**	Embedded Coder determines whether the current model defines and initializes data.
4	On	A name is specified.	The model specified in the <b>Owner</b> setting defines and initializes data.

\* See also “Ownership Settings” on page 16-96.\*\* Default.

### Settings and Resulting Generated Files

	Data Defined In...	Data Declared In...	Owner-ship*	Defined File**	Header File	Generated Files
Example Settings 1 (Rd-Write Example)	Source file	Source file	Blank	Blank	Blank	.c / .cpp source file
Example Settings 2 (Owner-ship Example)	Source file	Source file	Name of module specified	Blank	Blank	.c / .cpp source file
Example Settings 3 (Header File Example)	Source file	Source file	Blank	Blank	Desired include filename specified.	.c / .cpp source file .h definition file

	Data Defined In...	Data Declared In...	Ownership*	Defined File**	Header File	Generated Files
Example Settings 4 (Def. File Example)	Source file	Source file	Blank	Desired definition filename specified.	Desired include filename specified.	.c/.cpp source file .c/.cpp definition file* .h definition file*
Example Settings 5	Single separate source file	Source file	Blank	Blank	Blank	.c/.cpp source file global.c/.cpp
Example Settings 6	Single separate source file	Single separate header file	Blank	Blank	Blank	.c/.cpp source file global.c/.cpp global.h
Example Settings 7	Single separate source file	Single separate header file	Name of module specified	Blank	Blank	.c/.cpp source file global.c/.cpp global.h
Example Settings 8	Single separate source file	Single separate header file	Blank	Blank	Desired include filename specified.	.c/.cpp source file global.c/.cpp global.h .h definition file

\* "Blank" in ownership setting means that the check box for the **Use owner from data object for data definition placement** field on the **Code Placement** pane is **Off** and the **Owner** field on the Model Explorer is blank. "Name of module specified" can be a variety of ownership settings as defined in "Ownership Settings" on page 16-106.

\*\* The code generator generates a definition `.c/.cpp` file for every data object for which you specified a definition filename (unless you selected **#DEFINE** for the **Memory section** field). For example, if you specify the same definition filename for all data objects, only one definition `.c/.cpp` file is generated. The code generator places declarations in `model.h` by default, unless you specify **Data declared in single separate header file** for the **Data declaration** option on the **Code Generation > Code Placement** pane of the Configuration Parameter dialog box. If you select that data placement option, the code generator places declarations in `global.h`. If you specify a definition filename for each data object, the code generator generates one definition `.c/.cpp` file for each data object and places declarations in `model.h` by default, unless you specify **Data declared in single separate header file** for **Data declaration**. If you select that data placement option, the code generator places declarations in `global.h`.

**Note:** If you generate C++ rather than C code, the .c files listed in the following table will be .cpp files.

### Data Placement Rules

Storage Class Setting	Global Settings:		Override Settings for Specific Data Object:			Results in Generated Files:		
	Data Def.	Data Dec.	Def. File	Owner	Header File	Where Data Def. Is	Where Data Dec. Is	Dec. Inclusion
<i>mpt or Simulink Noncustom Storage Classes:</i>								
auto	N/A	N/A	N/A	N/A	N/A	Note 12	model.h	Note 1
Exported-Global	N/A	N/A	N/A	N/A	N/A	model.c	model.h	Note 1
Imported-Extern, Imported-Extern-Pointer	N/A	N/A	N/A	N/A	N/A	None. External	model_pri	Note 2
Simulink-Global	N/A	N/A	N/A	N/A	N/A	Note 13	model.h	Note 1
<i>mpt or Simulink Custom Storage Class: Imported Data:</i>								
Imported-FromFile	D/C	D/C	D/C	N/A	null	None	model_pri	Note 3
Imported-FromFile	D/C	D/C	D/C	N/A	hdr.h	None	model_pri	Note 4
<i>Simulink Custom Storage Class: #define Data:</i>								
Define	D/C	D/C	N/A	N/A	N/A	N/A	#define, model.h	Note 5
<i>mpt Custom Storage Class: #define Data:</i>								
Define	D/C	D/C	N/A	N/A	null	N/A	#define, model.h	Note 5

Storage Class Setting	Global Settings:		Override Settings for Specific Data Object:			Results in Generated Files:		
	Data Def.	Data Dec.	Def. File	Owner	Header File	Where Data Def. Is	Where Data Dec. Is	Dec. Inclusion
Define	D/C	D/C	N/A	N/A	hdr.h	N/A	#define, model.h	Note 6
<i>mpt or Simulink Custom Storage Class: GetSet:</i>								
GetSet	D/C	D/C	N/A	N/A	hdr.h	N/A	External hdr.h	Note 4
<i>mpt or Simulink Custom Storage Class: Bitfield, Struct:</i>								
Bitfield, Struct	D/C	D/C	N/A	N/A	N/A	model.c	model.h	Note 7
<i>mpt or Simulink Custom Storage Class: Global, Const, ConstVolatile, Volatile:</i>								
Global, Const, Const-Volatile, Volatile	auto	auto	null	null or locally owned	null	model.c	model.h	Note 1
Global, Const, Const-Volatile, Volatile	src	auto	null	null or locally owned	null	src.c	model.h	Note 1
Global, Const, Const-Volatile, Volatile	sep	auto	null	null or locally owned	null	gbl.c	model.h	Note 1
Global, Const, Const-Volatile, Volatile	auto	src	null	null or locally owned	null	model.c	src.c	Note 8
Global, Const, Const-Volatile, Volatile	src	src	null	null or locally owned	null	src.c	src.c	Note 8

Storage Class Setting	Global Settings:		Override Settings for Specific Data Object:			Results in Generated Files:		
	Data Def.	Data Dec.	Def. File	Owner	Header File	Where Data Def. Is	Where Data Dec. Is	Dec. Inclusion
Global, Const, Const-Volatile, Volatile	sep	src	null	null or locally owned	null	gbl.c	src.c	Note 8
Global, Const, Const-Volatile, Volatile	auto	sep	null	null or locally owned	null	model.c	gbl.h	Note 9
Global, Const, Const-Volatile, Volatile	src	sep	null	null or locally owned	null	src.c	gbl.h	Note 9
Global, Const, Const-Volatile, Volatile	sep	sep	null	null or locally owned	null	gbl.c	gbl.h	Note 9
Global, Const, Const-Volatile, Volatile	D/C	D/C	data.c	D/C	null	data.c	See Note 10.	Note 10
Global, Const, Const-Volatile, Volatile	D/C	D/C	data.c	D/C	hdr.h	data.c	hdr.h	Note 11
Global, Const, Const-Volatile, Volatile	auto	D/C	null	null	hdr.h	model.c	hdr.h	Note 11



Storage Class Setting	Global Settings:		Override Settings for Specific Data Object:			Results in Generated Files:		
	Data Def.	Data Dec.	Def. File	Owner	Header File	Where Data Def. Is	Where Data Dec. Is	Dec. Inclusion
Global, Const, Const-Volatile, Volatile	src	D/C	null	null	hdr.h	src.c	hdr.h	Note 11
Global, Const, Const-Volatile, Volatile	sep	D/C	null	null	hdr.h	gbl.c	hdr.h	Note 11
Global, Const, Const-Volatile, Volatile	D/C	auto	null	External owner	null	External user-supplied file	model.h	Note 1
Global, Const, Const-Volatile, Volatile	D/C	src	null	External owner	null	External user-supplied file	src.c	Note 8
Global, Const, Const-Volatile, Volatile	D/C	sep	null	External owner	null	External user-supplied file	gbl.h	Note 9
Global, Const, Const-Volatile, Volatile	D/C	D/C	null	External owner	header.h	External user-supplied file	hdr.h	Note 11
Global, Const, Const-Volatile, Volatile	D/C	D/C	null	External owner	header.h	External user-supplied file	hdr.h	Note 11
<i>mpt Custom Storage Class: Exported Data:</i>								
ExportTo-File	auto	auto	null	null	null	model.c	model.h	Note 1

Storage Class Setting	Global Settings:		Override Settings for Specific Data Object:			Results in Generated Files:		
	Data Def.	Data Dec.	Def. File	Owner	Header File	Where Data Def. Is	Where Data Dec. Is	Dec. Inclusion
ExportTo-File	src	auto	null	null	null	src.c	model.h	Note 1
ExportTo-File	sep	auto	null	null	null	gbl.c	model.h	Note 1
ExportTo-File	auto	src	null	null	null	model.c	src.c	Note 8
ExportTo-File	src	src	null	null	null	src.c	src.c	Note 8
ExportTo-File	sep	src	null	null	null	gbl.c	src.c	Note 8
ExportTo-File	auto	sep	null	null	null	model.c	gbl.h	Note 9
ExportTo-File	src	sep	null	null	null	src.c	gbl.h	Note 9
ExportTo-File	sep	sep	null	null	null	gbl.c	gbl.h	Note 9
ExportTo-File	D/C	D/C	data.c	null	null	data.c	See Note 10.	Note 10
ExportTo-File	D/C	D/C	data.c	null	hdr.h	model.c	hdr.h	Note 11
ExportTo-File	auto	D/C	null	null	hdr.h	src.c	hdr.h	Note 11
ExportTo-File	sep	D/C	null	null	hdr.h	gbl.c	hdr.h	Note 11
<i>Simulink Custom Storage Class: Default, Const, ConstVolatile, Volatile:</i>								
Default, Const, Const-Volatile, Volatile	auto	auto	N/A	N/A	N/A	model.c	model.h	Note 1
Default, Const, Const-Volatile, Volatile	src	auto	N/A	N/A	N/A	src.c	model.h	Note 1
Default, Const, Const-Volatile, Volatile	sep	auto	N/A	N/A	N/A	gbl.c	model.h	Note 1

Storage Class Setting	Global Settings:		Override Settings for Specific Data Object:			Results in Generated Files:		
	Data Def.	Data Dec.	Def. File	Owner	Header File	Where Data Def. Is	Where Data Dec. Is	Dec. Inclusion
Default, Const, Const-Volatile, Volatile	auto	src	N/A	N/A	N/A	model.c	src.c	Note 8
Default, Const, Const-Volatile, Volatile	src	src	N/A	N/A	N/A	src.c	src.c	Note 8
Default, Const, Const-Volatile, Volatile	sep	src	N/A	N/A	N/A	gbl.c	src.c	Note 8
Default, Const, Const-Volatile, Volatile	auto	sep	N/A	N/A	N/A	model.c	gbl.h	Note 9
Default, Const, Const-Volatile, Volatile	src	sep	N/A	N/A	N/A	src.c	gbl.h	Note 9
Default, Const, Const-Volatile, Volatile	sep	sep	N/A	N/A	N/A	gbl.c	gbl.h	Note 9
<i>Simulink Custom Storage Class: Exported Data:</i>								
ExportTo-File	auto	auto	N/A	N/A	null	model.c	model.h	Note 1
ExportTo-File	src	auto	N/A	N/A	null	src.c	model.h	Note 1
ExportTo-File	sep	auto	N/A	N/A	null	gbl.c	model.h	Note 1
ExportTo-File	auto	src	N/A	N/A	null	model.c	src.c	Note 8

Storage Class Setting	Global Settings:		Override Settings for Specific Data Object:			Results in Generated Files:		
	Data Def.	Data Dec.	Def. File	Owner	Header File	Where Data Def. Is	Where Data Dec. Is	Dec. Inclusion
ExportTo-File	src	src	N/A	N/A	null	src.c	src.c	Note 8
ExportTo-File	sep	src	N/A	N/A	null	gbl.c	src.c	Note 8
ExportTo-File	auto	sep	N/A	N/A	null	model.c	gbl.h	Note 9
ExportTo-File	src	sep	N/A	N/A	null	src.c	gbl.h	Note 9
ExportTo-File	sep	sep	N/A	N/A	null	gbl.c	gbl.h	Note 9
ExportTo-File	auto	D/C	N/A	N/A	hdr.h	model.c	hdr.h	Note 11
ExportTo-File	src	D/C	N/A	N/A	hdr.h	src.c	hdr.h	Note 11
ExportTo-File	sep	D/C	N/A	N/A	hdr.h	gbl.c	hdr.h	Note 11

### Notes

In the previous table:

- A Declaration Inclusion Approach is a file in which the header file that contains the data declarations is included.
- D/C stands for don't care.
- Dec stands for declaration.
- Def stands for definition.
- gbl stands for global.
- hdr stands for header.
- N/A stands for not applicable.
- null stands for field is blank.
- sep stands for separate.

**Note 1:** `model.h` is included directly in all source files.

**Note 2:** `model_private.h` is included directly in all source files.

**Note 3:** `extern` is included in `model_private.h`, which is in `source.c`.

**Note 4:** `header.h` is included in `model_private.h`, which is in `source.c`.

**Note 5:** `model.h` is included directly in all source files that use `#define`.

**Note 6:** `header.h` is included in `model.h`, which is in source files that use `#define`.

**Note 7:** `model.h` is included in all `source.c` files.

**Note 8:** `extern` is inlined in source files where data is used.

**Note 9:** `global.h` is included in `model.h`, which is in all source files.

**Note 10:** When you specify a definition filename for a data object, a header file is not generated for that data object. The code generator declares the data object according to the data placement priorities.

**Note 11:** `header.h` is included in `model.h`, which is in all source files.

**Note 12:** Signal: Either not defined because it is expression folded, or local data, or defined in a structure in `model.c`, all depending on model's code generation settings. Parameter: Either inlined in the code, or defined in `model_data.c`.

**Note 13:** Signal: In a structure that is defined in `model.c`. Parameter: In a structure that is defined in `model_data.c`.

## Specify Delimiter for #Includes

Understanding the purpose of this procedure requires understanding the `Header file` property of a data object, described in `Parameter and Signal Property Values`, and applied in “Create Data Objects for Code Generation with Data Object Wizard” on page 11-2. For a particular data object, you can specify as the `Header file` property value a `.h` filename where that data object will be declared. Then, in the `IncludeFile` section of the generated file, this `.h` file is indicated in a `#include` preprocessor directive.

Further, when specifying the filename as the `Header file` property value, you may or may not place it within the double-quote or angle-bracket delimiter. That is, you can specify it as `filename.h`, `"filename.h"`, or `<filename.h>`. The code generator finds every data object for which you specified a filename as its `Header file` property value *without* a delimiter. By default, it assigns to each of these the double-quote delimiter.

This procedure allows you to specify the angle-bracket delimiter for these instead of the default double-quote delimiter. See the figure below.

- 1 In the **#include file delimiter** field on the **Code Placement** pane of the Configuration Parameters dialog box, select `#include <header.h>` instead of the default `#include "header.h"`.
- 2 Click **Apply**.

## Enhance Readability of Code for Flow Charts

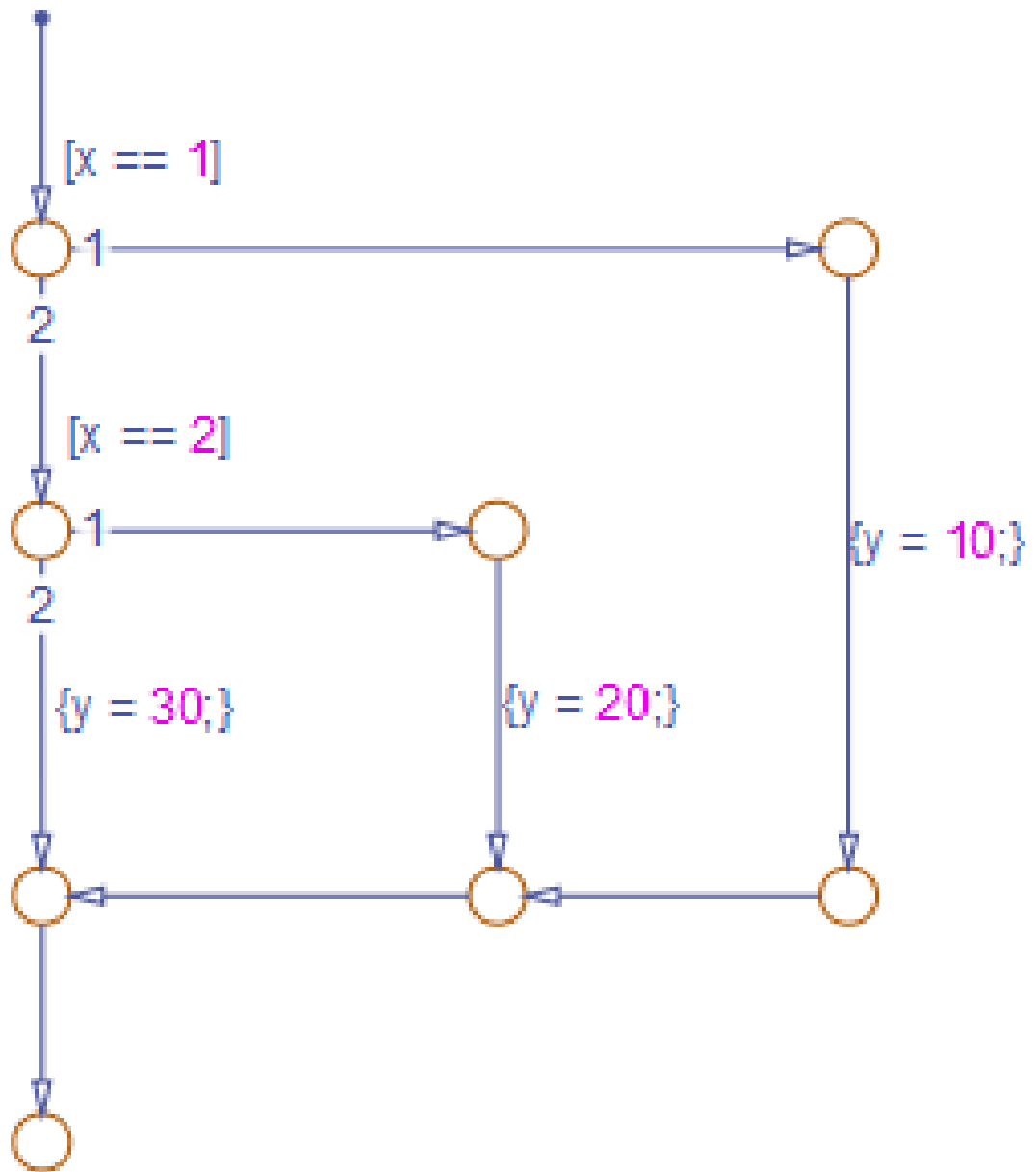
In this section...
“Appearance of Generated Code for Flow Charts” on page 16-117
“Convert If-Elseif-Else Code to Switch-Case Statements” on page 16-122
“Example of Converting Code to Switch-Case Statements” on page 16-124

### Appearance of Generated Code for Flow Charts

When you use Embedded Coder software to generate code for models that include Stateflow objects, the code from a flow chart resembles the samples that follow.

The following characteristics apply:

- By default, the generated code uses `if-elseif-else` statements to represent `switch` patterns. To convert the code to use `switch-case` statements, see “Convert If-Elseif-Else Code to Switch-Case Statements” on page 16-122.
- By default, variables that appear in the flow chart do not retain their names in the generated code. Modified identifiers guarantee that no naming conflicts occur.
- Traceability comments for the transitions appear between each set of `/*` and `*/` markers. To learn more about traceability, see “Trace Stateflow Objects in Generated Code” on page 33-11.



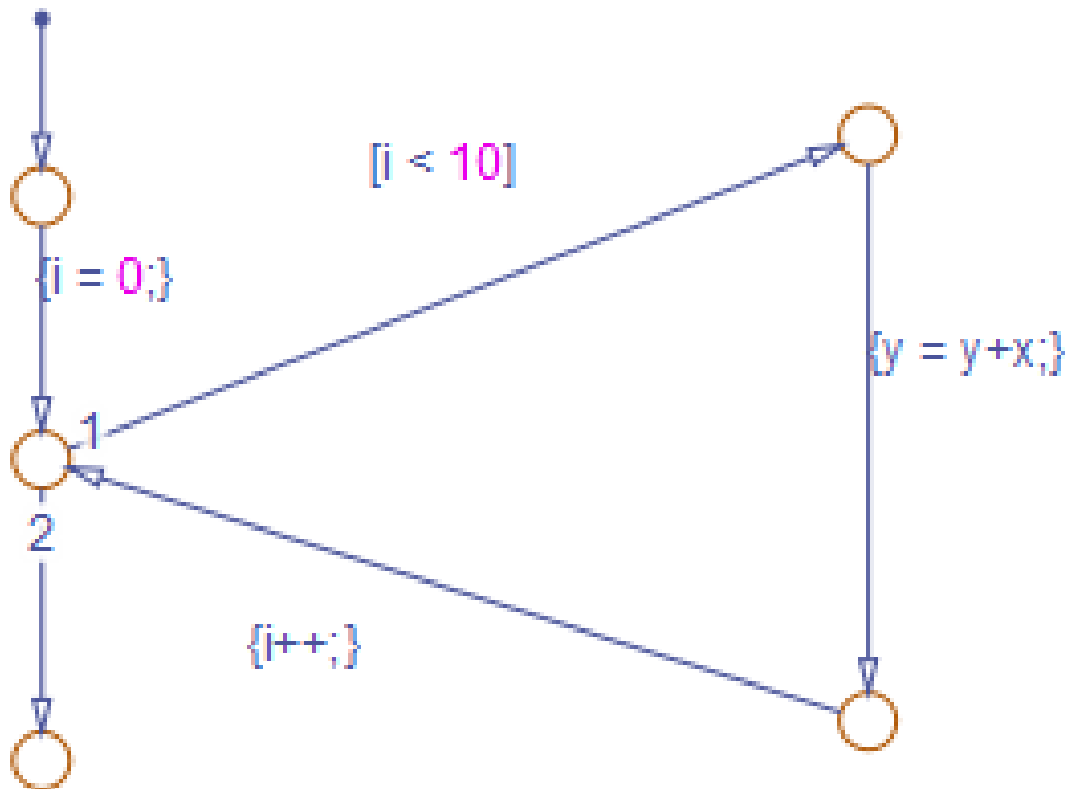


```
if (modelname_U.In1 == 1.0) {
    /* Transition: '<S1>:11' */
    /* Transition: '<S1>:12' */
    modelname_Y.Out1 = 10.0;

    /* Transition: '<S1>:15' */
    /* Transition: '<S1>:16' */
} else {
    /* Transition: '<S1>:10' */
    if (modelname_U.In1 == 2.0) {
        /* Transition: '<S1>:13' */
        /* Transition: '<S1>:14' */
        modelname_Y.Out1 = 20.0;

        /* Transition: '<S1>:16' */
    } else {
        /* Transition: '<S1>:17' */
        modelname_Y.Out1 = 30.0;
    }
}
}
```

### Sample Code for a Decision Logic Pattern



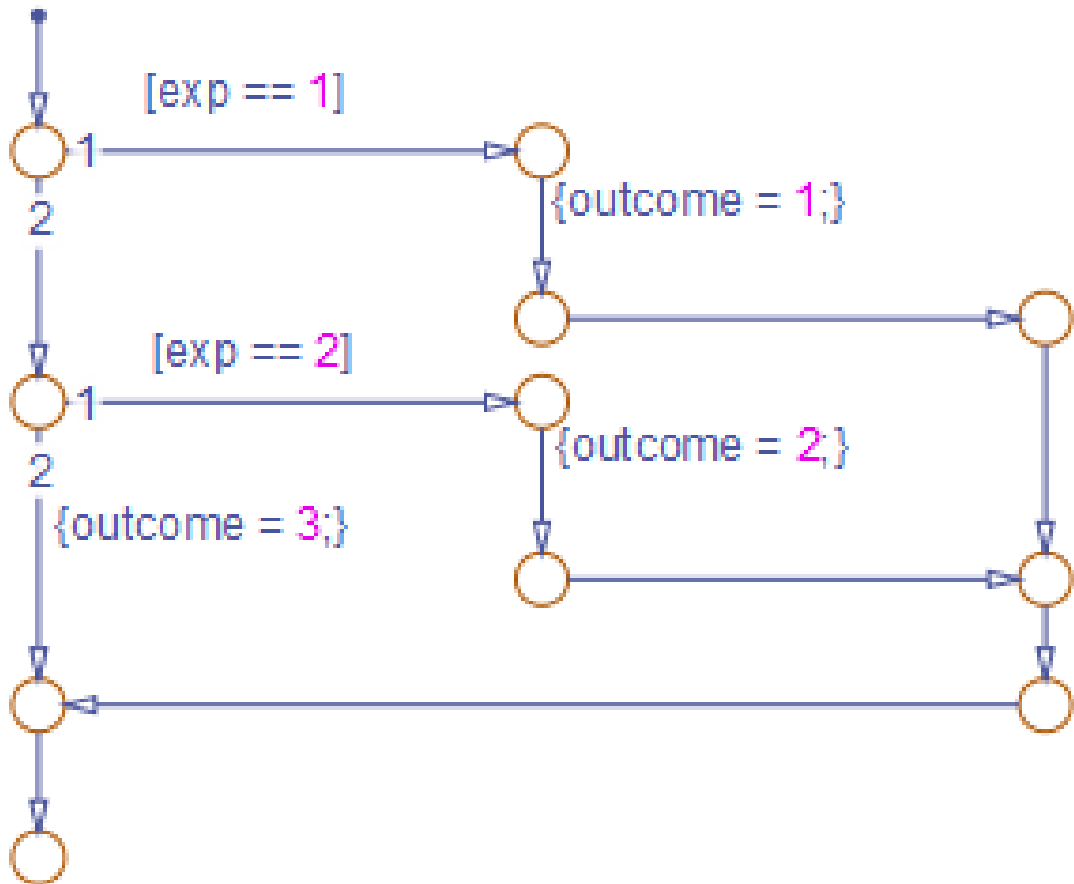
```

for (sf_i = 0; sf_i < 10; sf_i++) {
  /* Transition: '<S1>:40' */
  /* Transition: '<S1>:41' */
  modelname_B.y = modelname_B.y +
    modelname_U.In1;

  /* Transition: '<S1>:39' */
}

```

**Sample Code for an Iterative Loop Pattern**



```

if (modelName_U.In1 == 1.0) {
  /* Transition: '<S1>:149' */
  /* Transition: '<S1>:150' */
  modelName_Y.Out1 = 1.0;

  /* Transition: '<S1>:151' */
  /* Transition: '<S1>:152' */
  /* Transition: '<S1>:158' */
  /* Transition: '<S1>:159' */
} else {
  /* Transition: '<S1>:156' */

```

```

if (modelName_U.In1 == 2.0) {
  /* Transition: '<S1>:153' */
  /* Transition: '<S1>:154' */
  modelName_Y.Out1 = 2.0;

  /* Transition: '<S1>:155' */
  /* Transition: '<S1>:158' */
  /* Transition: '<S1>:159' */
} else {
  /* Transition: '<S1>:161' */
  modelName_Y.Out1 = 3.0;
}
}

```

### Sample Code for a Switch Pattern

## Convert If-Elseif-Else Code to Switch-Case Statements

When you generate code for embedded real-time targets, you can choose to convert `if-elseif-else` code to `switch-case` statements. This conversion can enhance readability of the code. For example, when a flow chart contains a long list of conditions, the `switch-case` structure:

- Reduces the use of parentheses and braces
- Minimizes repetition in the generated code

### How to Convert If-Elseif-Else Code to Switch-Case Statements

The following procedure describes how to convert generated code for the flow chart from `if-elseif-else` to `switch-case` statements.

Step	Task	Reference
1	Verify that your flow chart follows the rules for conversion.	“Verify the Contents of the Flow Chart” on page 16-126
2	Enable the conversion.	“Enable the Conversion” on page 16-127
3	Generate code for your model.	“Generate Code for Your Model” on page 16-128
4	Troubleshoot the generated code.	“Troubleshoot the Generated Code” on page 16-128

Step	Task	Reference
	<ul style="list-style-type: none"> <li>• If you see <code>switch-case</code> statements for your flow chart, you can stop.</li> <li>• If you see <code>if-elseif-else</code> statements for your flow chart, update the chart and repeat the previous step.</li> </ul>	

### Rules of Conversion

For the conversion to occur, the following rules must hold. LHS and RHS refer to the left-hand side and right-hand side of a condition, respectively.

Construct	Rules to Follow
Flow chart	Must have two or more <i>unique</i> conditions, in addition to a default.  For more information, see “How the Conversion Handles Duplicate Conditions” on page 16-123.
Each condition	Must test equality only.
	Must use the same variable or expression for the LHS.
	<b>Note:</b> You can reverse the LHS and RHS.
Each LHS	Must be a single variable or expression.
	Cannot be a constant.
	Must have an integer or enumerated data type.
	Cannot have any side effects on simulation.
	For example, the LHS can read from but not write to global variables.
Each RHS	Must be a constant.
	Must have an integer or enumerated data type.

### How the Conversion Handles Duplicate Conditions

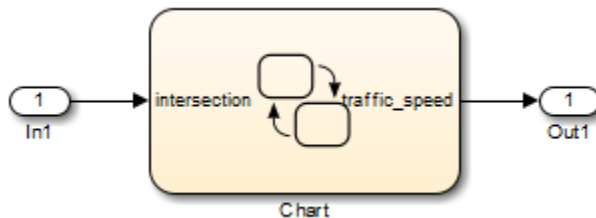
If a flow chart has duplicate conditions, the conversion preserves only the first condition. The code discards all other instances of duplicate conditions.

After removal of duplicates, two or more unique conditions must exist. If not, no conversion occurs and the code contains all duplicate conditions.

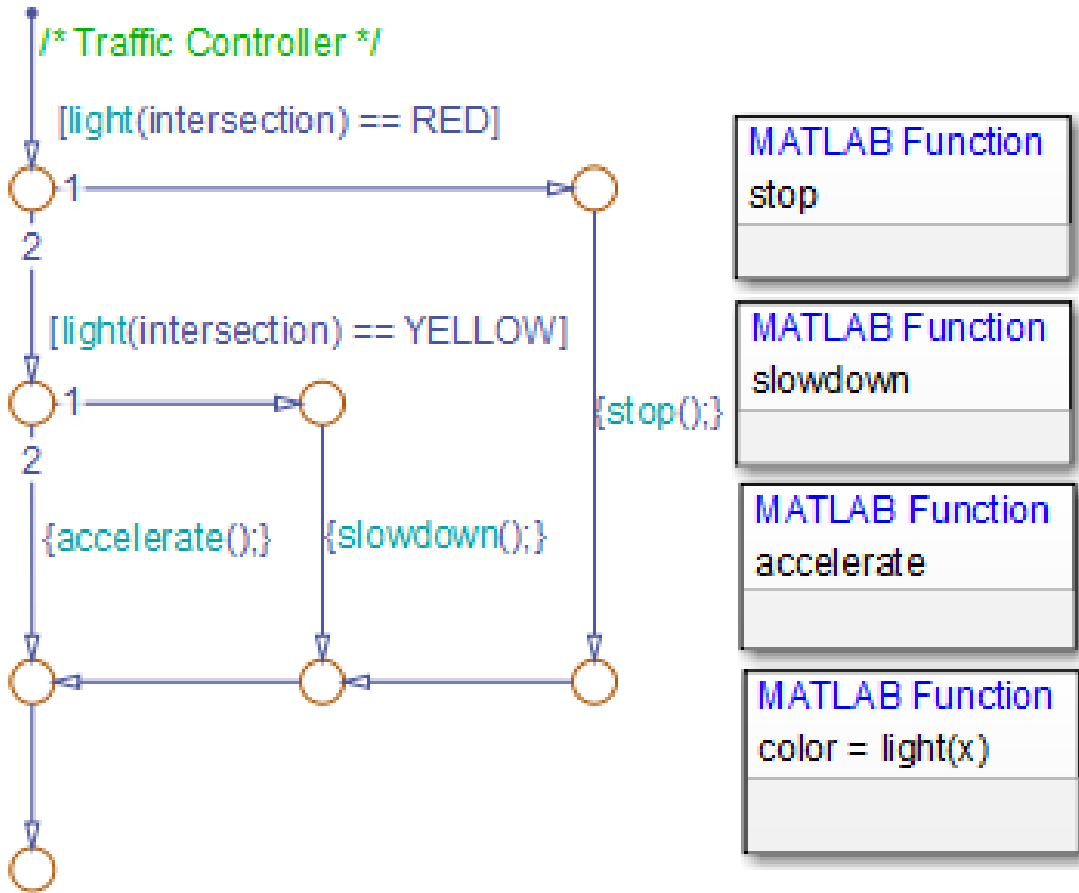
Example of Generated Code	Code After Conversion
<pre> if (x == 1) {     block1 } else if (x == 2) {     block2 } else if (x == 1) { // duplicate     block3 } else if (x == 3) {     block4 } else if (x == 1) { // duplicate     block5 } else {     block6 }                     </pre>	<pre> switch (x) {     case 1:         block1; break;     case 2:         block2; break;     case 3:         block4; break;     default:         block6; break; }                     </pre>
<pre> if (x == 1) {     block1 } else if (x == 1) { // duplicate     block2 } else {     block3 }                     </pre>	<p>No change, because only one unique condition exists</p>

### Example of Converting Code to Switch-Case Statements

Suppose that you have the following model with a single chart.



The chart contains a flow chart and four MATLAB functions:



The MATLAB functions in the chart contain the code in the following table. In each case, the **Function Inline Option** is Auto. For more information about function inlining, see “Specify Graphical Function Properties”.

MATLAB Function	Code
stop	<pre>function stop %#codegen coder.extrinsic('disp'); disp('Not moving.')</pre>

MATLAB Function	Code
	traffic_speed = 0;
slowdown	<pre>function slowdown %#codegen coder.extrinsic('disp') disp('Slowing down.')  traffic_speed = 1;</pre>
accelerate	<pre>function accelerate %#codegen coder.extrinsic('disp'); disp('Moving along.')  traffic_speed = 2;</pre>
light	<pre>function color = light(x) %#codegen if (x &lt; 20)     color = TrafficLights.GREEN; elseif (x &gt;= 20 &amp;&amp; x &lt; 25)     color = TrafficLights.YELLOW; else     color = TrafficLights.RED; end</pre>

The output `color` of the function `light` uses the enumerated type `TrafficLights`. The enumerated type definition in `TrafficLights.m` is:

```
classdef TrafficLights < Simulink.IntEnumType
    enumeration
        RED(0)
        YELLOW(5)
        GREEN(10)
    end
end
```

For more information, see “Define Enumerated Data in a Chart”.

### Verify the Contents of the Flow Chart

Check that the flow chart in your chart follows all the rules in “Rules of Conversion” on page 16-123.



Construct	How the Construct Follows the Rules
Flow chart	Two unique conditions exist, in addition to the default: <ul style="list-style-type: none"> <li>• <code>[light(intersection) == RED]</code></li> <li>• <code>[light(intersection) == YELLOW]</code></li> </ul>
Each condition	Each condition: <ul style="list-style-type: none"> <li>• Tests equality</li> <li>• Uses the same function call <code>light(intersection)</code> for the LHS</li> </ul>
Each LHS	Each LHS: <ul style="list-style-type: none"> <li>• Contains a single expression</li> <li>• Is the output of a function call and therefore not a constant</li> <li>• Is of enumerated type <code>TrafficLights</code>, which you define in <code>TrafficLights.m</code> on the MATLAB path (see “Define Enumerated Data in a Chart”)</li> <li>• Uses a function call that has no side effects</li> </ul>
Each RHS	Each RHS: <ul style="list-style-type: none"> <li>• Is an enumerated value and therefore a constant</li> <li>• Is of enumerated type <code>TrafficLights</code></li> </ul>

### Enable the Conversion

- 1 Open the Model Configuration Parameters dialog box.
- 2 In the **Code Generation** pane, select `ert.tlc` for the **System target file**.

This step specifies an ERT-based target for your model.

- 3 In the **Code Generation > Code Style** pane, select the **Convert if-elseif-else patterns to switch-case statements** check box.

---

**Tip** This conversion works on a per-model basis. If you select this check box, the conversion applies to:

- Flow charts in all charts of a model
- MATLAB functions in all charts of a model

- All MATLAB Function blocks in that model

---

## Generate Code for Your Model

In the model, select **Code > C/C++ Code > Build Model** to generate source code from the model.

## Troubleshoot the Generated Code

The generated code for the flow chart appears something like this:

```
if (sf_color == RED) {
    /* Transition: '<S1>:11' */
    /* Transition: '<S1>:12' */
    /* MATLAB Function 'stop': '<S1>:23' */
    /* '<S1>:23:6' */
    rtb_traffic_speed = 0;

    /* Transition: '<S1>:15' */
    /* Transition: '<S1>:16' */
} else {
    /* Transition: '<S1>:10' */
    /* MATLAB Function 'light': '<S1>:19' */
    if (ifelse_using_enums_U.In1 < 20.0) {
        /* '<S1>:19:3' */
        /* '<S1>:19:4' */
        sf_color = GREEN;
    } else if ((ifelse_using_enums_U.In1 >= 20.0) &&
               (ifelse_using_enums_U.In1 < 25.0)) {
        /* '<S1>:19:5' */
        /* '<S1>:19:6' */
        sf_color = YELLOW;
    } else {
        /* '<S1>:19:8' */
        sf_color = RED;
    }
}

if (sf_color == YELLOW) {
    /* Transition: '<S1>:13' */
    /* Transition: '<S1>:14' */
    /* MATLAB Function 'slowdown': '<S1>:24' */
    /* '<S1>:24:6' */
    rtb_traffic_speed = 1;
```

```

    /* Transition: '<S1>:16' */
  } else {
    /* Transition: '<S1>:17' */
    /* MATLAB Function 'accelerate': '<S1>:25' */
    /* '<S1>:25:6' */
    rtb_traffic_speed = 2;
  }
}

```

Because the MATLAB function `light` appears inlined, inequality comparisons appear in these lines of code:

```

if (ifelse_using_enums_U.In1 < 20.0) {
....
} else if ((ifelse_using_enums_U.In1 >= 20.0) &&
           (ifelse_using_enums_U.In1 < 25.0)) {
....

```

Because inequalities appear in the body of the `if-elseif-else` code for the flow chart, the conversion to `switch-case` statements does not occur. To prevent this behavior, do one of the following:

- Specify that the function `light` does not appear inlined. See “Change the Inlining Property for the Function” on page 16-129.
- Modify the flow chart. See “Modify the Flow Chart to Ensure Switch-Case Statements” on page 16-131.

### Change the Inlining Property for the Function

If you do not want to modify your flow chart, change the inlining property for the function `light`:

- 1 Right-click the function box for `light` and select **Properties**.

The properties dialog box appears.

- 2 For **Function Inline Option**, select **Function**.
- 3 Click **OK** to close the dialog box.

---

**Note:** You do not have to change the inlining property for the other three MATLAB functions in the chart. Because the flow chart does not call those functions during evaluation of conditions, the inlining property for those functions can remain **Auto**.

---

When you regenerate code for your model, the code for the flow chart now appears something like this:

```
switch (ifelse_using_enums_light(ifelse_using_enums_U.In1)) {
  case RED:
    /* Transition: '<S1>:11' */
    /* Transition: '<S1>:12' */
    /* MATLAB Function 'stop': '<S1>:23' */
    /* '<S1>:23:6' */
    ifelse_using_enums_Y.Out1 = 0.0;

    /* Transition: '<S1>:15' */
    /* Transition: '<S1>:16' */
    break;

  case YELLOW:
    /* Transition: '<S1>:10' */
    /* Transition: '<S1>:13' */
    /* Transition: '<S1>:14' */
    /* MATLAB Function 'slowdown': '<S1>:24' */
    /* '<S1>:24:6' */
    ifelse_using_enums_Y.Out1 = 1.0;

    /* Transition: '<S1>:16' */
    break;

  default:
    /* Transition: '<S1>:17' */
    /* MATLAB Function 'accelerate': '<S1>:25' */
    /* '<S1>:25:6' */
    ifelse_using_enums_Y.Out1 = 2.0;
    break;
}
```

Because the MATLAB function `light` no longer appears inlined, the conversion to `switch-case` statements occurs. The `switch-case` statements provide the following benefits to enhance readability:

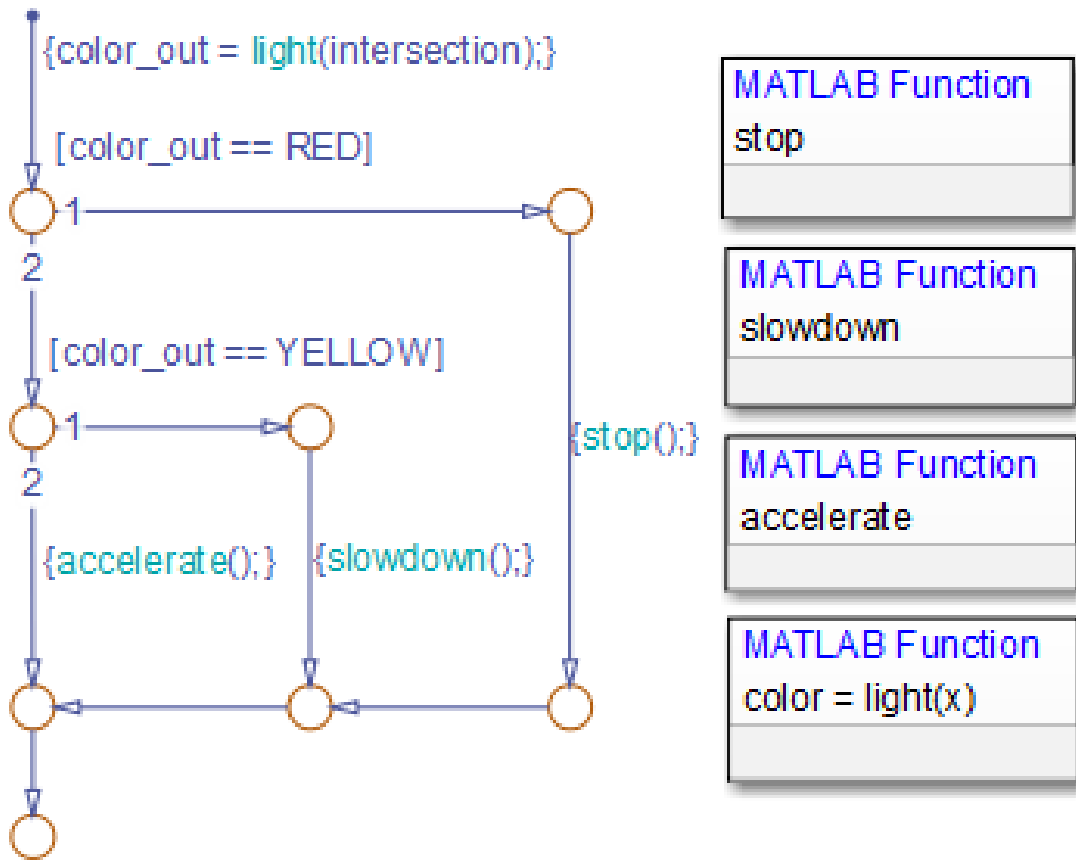
- The code reduces the use of parentheses and braces.
- The LHS expression `ifelse_using_enums_light(ifelse_using_enums_U.In1)` appears only once, minimizing repetition in the code.

### Modify the Flow Chart to Ensure Switch-Case Statements

If you do not want to change the inlining property for the function `light`, modify your flow chart:

- 1 Add chart local data `color_out` with the enumerated type `TrafficLights`.
- 2 Replace each instance of `light(intersection)` with `color_out`.
- 3 Add the action `{color_out = light(intersection)}` to the default transition of the flow chart.

The chart should now look something like this:



When you regenerate code for your model, the code for the flow chart uses `switch-case` statements.

## Generate Inlined Subsystem Code

You can configure a nonvirtual subsystem to inline the subsystem code with the model code. In the Subsystem Parameters dialog box, the **Function packaging** parameter specifies the format of the subsystem's generated code. This parameter has four settings: **Auto**, **Inline**, **Nonreusable function**, and **Reusable function**. The code generator can generate inlined code for the **Auto** or **Inline** settings.

The **Inline** setting explicitly directs the code generator to inline the subsystem code unconditionally.

The default **Auto** setting directs the code generator to generate the most efficient code for the subsystem based on the type and number of instances of the subsystem that exist in the model. When there is only one instance of a subsystem, the **Auto** setting inlines the subsystem code. When there are multiple instances of a subsystem, that is not too complex, the **Auto** setting inlines the code for each subsystem. Otherwise, the **Auto** setting generates a single copy of the function (as a reusable function). For a function-call subsystem with multiple callers, the **Auto** setting generates subsystem code that is consistent with the **Nonreusable function** setting.

### Configure Subsystem to Inline Code

To configure your subsystem for inlining:

- 1 Right-click the **Subsystem** block. From the context menu, select **Block Parameters (Subsystem)**.
- 2 In the Subsystem Parameters dialog box, if the subsystem is virtual, select **Treat as atomic unit**. This option makes the subsystem nonvirtual. On the **Code Generation** tab, the **Function packaging** option is now available.
- 3 Click the **Code Generation** tab and select **Auto** or **Inline** from the **Function packaging** parameter.
- 4 Click **Apply** and close the dialog box.

The border of the subsystem thickens, indicating that it is nonvirtual.

When you generate code from your model, the code generator inlines subsystem code within *model.c* or *model.cpp* (or in its parent system's source file). You can identify this code by system/block identification tags, such as:

```
/* Atomic SubSystem Block: <Root>/AtomicSubsys1 */
```

## Exceptions to Inlining

There are certain cases in which the code generator does not inline a nonvirtual subsystem, even though you select the `Inline` setting.

- If a noninlined S-function calls a function-call subsystem, the code generator ignores the `Inline` setting. Because noninlined S-functions use function pointers to make function calls, the code generator must generate a function with all arguments present.
- In a feedback loop involving function-call subsystems, the code generator generates a function instead of inlined code for one of the subsystems. Based on the internal, sorted order of the subsystems, the code generator selects which subsystem to generate a function.
- If an S-function, an `Async Interrupt`, or a `Task Sync` block with the option `SS_OPTION_FORCE_NONINLINED_FCNCALL` set to `TRUE` calls a subsystem, the code generator generates a function instead of inlined code for the subsystem. Note that the VxWorks block library (`vxlib1`), which is shipped with the Simulink Coder product contains the user-defined `Async Interrupt` and `Task Sync` blocks.<sup>5</sup>

## See Also

- “Code Generation of Subsystems”
- “Generate Subsystem Code as Separate Function and Files”
- “Generate Reusable Function for Identical Subsystems Within a Model”

---

<sup>5</sup>. VxWorks is a registered trademark of Wind River® Systems, Inc.



# Internationalization Support

---

## Internationalization and Code Generation

Internationalization support in software development tooling is vital to enabling efficient globalization. If there is a remote possibility that you will collaborate with others across locales, consider internationalization from project inception. Internationalization can prevent rework or having to develop a new model design. The relevant requirement concerns locale settings.

### In this section...

“Locale Settings” on page 17-2

“Prepare to Generate Code for Mixed Languages and Locales” on page 17-2

“XML Escape Sequence Replacements” on page 17-3

“Character Set Limitations” on page 17-4

### Locale Settings

A locale setting defines the language (character set encoding) for the user interface and the display formats on a computer for information such as time, date, and currency. The encoding dictates the number of characters a locale can render. For example, the US-ASCII coded character set (codeset) defines 128 characters. A Unicode<sup>®</sup> codeset, such as UTF-8, defines more than 1,100,000 characters.

For code generation, the locale setting determines the character set encoding of generated file content. To avoid garbled text or incorrectly displayed characters, the locale setting for your MATLAB session must be compatible with the setting for your compiler and operating system. For information on finding and changing the operating system setting, see “Internationalization” in the MATLAB documentation or the operating system documentation.

To check a model for characters that cannot be represented in the locale setting of current MATLAB session, use the Simulink Model Advisor check “Check model for foreign characters”.

### Prepare to Generate Code for Mixed Languages and Locales

To prepare to generate code for a model, identify:

- The operating system locale.
- The locale of the MATLAB session.
- Code generation requirements for using:
  - Code generation template files that include comments
  - Target Language Compiler files

## XML Escape Sequence Replacements

The code generator replaces characters that are not represented in the character set encoding for a model with XML escape sequences. Escape sequence replacements occur for block, signal, and Stateflow object names that appear in:

- Generated code comments
- Code generation reports
- Block paths logged to MAT-files
- Block paths logged to C API files *model\_capi.c* (or *.cpp*) and *model\_capi.h*
- Comments in code generation template (CGT) files

By default, code generation template files do not contain character set encoding information. The operating system reads the files, using its current encoding, regardless of the encoding that you use to write the file. You can enable escape sequence replacements by adding the following token at the top of the template file:

```
<encodingIn = "encoding">
```

Replace *encoding* with a string that names a standard character encoding scheme, such as UTF-8, ISO-8859-1, or windows-1251.

The following example shows content from the file *rtwdemo\_unicode.cgt* in a MATLAB session for *windows-1251*. The example uses the `encodingIn` token to set the encoding to UTF-8, which is the correct value for code generation.

```

17 <encodingIn = "UTF-8">
18 <FileBanner style = "box">
19 File: %<FileName>
20
21 Code generated for Simulink model '%<ModelName>'.
22
23 Model version           : %<ModelVersion>
24 Simulink Coder version  : %<RTWFileVersion>
25 TLC version            : %<TLCVersion>
26 C/C++ source code generated on : %<SourceGeneratedOn>
27
28 You can customize this banner by specifying a different template.
29 Unicode characters written in cgt file:
30 ì¼³ì¼•ì¼%ì¼'ì¼": â™™ â™™; â™™c â™™£ â™™¤ â™™¥ â™™¦
31 Greek Symbols: â™™f â™™g â™™h... â™™i â™™j â™™k â™™l â™™m â™™n â™™o â™™p â™™q â™™r â™™s â™™t â™™u â™™v â™™w â™™x â™™y â™™z

```

## Character Set Limitations

- Target Language Compiler files support user default encoding only. To produce international custom generated code that is portable, use the 7-bit ASCII character set.
- For the code generator to propagate TLC comments in code generation template files to the generated code, enable escape sequence replacements for a specific character encoding scheme, as described in “XML Escape Sequence Replacements” on page 17-3.

## Related Examples

- “Generate and Review Code with Mixed Languages and Mixed Locales” on page 17-5

## More About

- “Locale Settings for MATLAB Process”

## Generate and Review Code with Mixed Languages and Mixed Locales

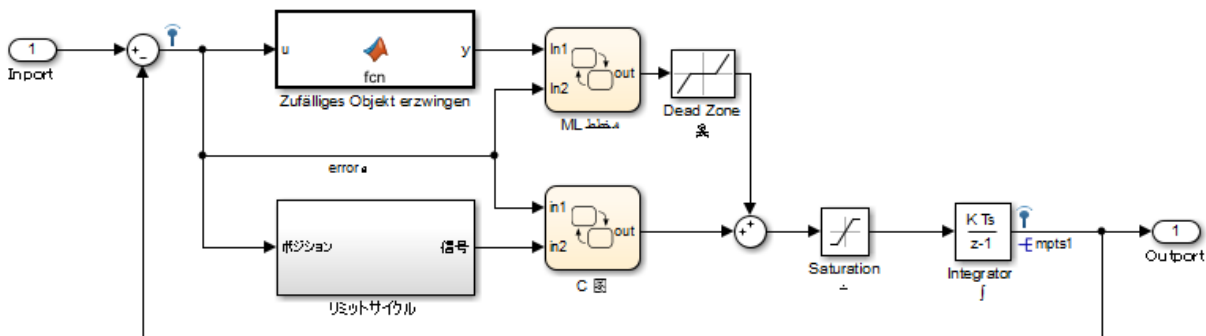
This example shows how to use Embedded Coder® to generate and review code for use in mixed languages and mixed locales. The example model configuration specifies files and settings that show how the code generator handles localization for:

- Code generation template (CGT) files
- Target Language Compiler (TLC) files that apply code customizations
- C API interface

Before using this example, see Internationalization and Code Generation.

Open the example model `rtwdemo_unicode`.

```
model = 'rtwdemo_unicode';
open_system(model);
```



Copyright 2015 The MathWorks, Inc.

Labels in the model appear in multiple languages (Arabic, Chinese, English, German, and Japanese) and various Unicode symbols.

### Code Generation Template Files

If you want to use a code generation template file, complete these steps. Otherwise, go to the next section.

1. Open the Configuration Parameters dialog box.

2. Navigate to the **Code Generation > Template** pane. The model is configured to use the code generation template file `rtwdemo_unicode.cgt`. That file adds comments to the top of generated code files. For the code generator to apply escape sequence replacements for the `.cgt` file, enable replacements by specifying the following:

```
<encodingIn = "encoding-name">
```

3. Open the file `/toolbox/rtw/rtwdemos/rtwdemo_unicode.cgt`.

```
edit rtwdemo_unicode.cgt
```

4. Find the line of code that enables escape sequence replacements for the character set encoding UTF-8.

5. Close the file `/toolbox/rtw/rtwdemos/rtwdemo_unicode.cgt`.

### Generated File Customization Template

If you want to use file customization templates, complete the following steps. Otherwise, go to the next section.

You can specify customizations to generated code files by using TLC code. TLC files support user default encoding only. To produce international custom generated code that is portable, use the 7-bit ASCII character set.

1. Open the Configuration Parameters dialog box.

2. Navigate to the **Code Generation > Template** pane. The model is configured to use the code customization file `example_file_process.tlc`. That file customizes the generated code just before the code generator writes the code files to disk. For example, the file adds a C source file, corresponding include file, and `#define` and `#include` statements.

3. Open the file `/toolbox/rtw/rtwdemos/example_file_process.tlc`.

```
edit example_file_process.tlc
```

4. Before generating code, uncomment the following line of code:

```
%% %assign ERTCustomFileTest = TLC_TRUE%
```

5. Close the file `/toolbox/rtw/rtwdemos/rtwdemo_unicode.cgt`.

## Verify Locale Settings

Verify that the locale setting for your MATLAB® is compatible with your compiler. See the MATLAB documentation or the documentation for your operating system.

## Verify Model for Use of Foreign Characters

Use the Simulink® Model Advisor check **Check model for foreign characters** to verify the model for characters that the code generator cannot represent in the model's current character set encoding.

1. Open the Model Advisor.

```
modeladvisor('rtwdemo_unicode')
```

2. Expand **By Product**.

3. Expand **Simulink**.

4. Select **Check model for foreign characters**

5. Click **Run This Check**.

6. Review the results. Several warnings appear. Check that the characters in the model can be represented in the current character set encoding.

7. Close the Model Advisor.

## Generate Code

Generate C code and a code generation report.

```
slbuild('rtwdemo_unicode');  
%  
  
### Starting build procedure for model: rtwdemo_unicode  
### Successful completion of build procedure for model: rtwdemo_unicode
```

## Review the Generated Code

The code generator uses escape sequence replacements to render characters, not in the current MATLAB® character set encoding, correctly in the code generation report.

1. If the code generation report for model `rtwdemo_unicode` is not open, open it.

```
coder.report.open('rtwdemo_unicode')
```

2. Review the generated code in `rtwdemo_unicode.c` and `rtwdemo_unicode.h`. Names of model elements appear in code comments as replacement names in the local language.
3. Open the Traceability Report. The report maintains tracability information, even when the name contains characters that are not represented in the current encoding. Names of model elements appear in the report as replacement names in the local language.
4. Scroll down to and click the code location link for the first Chart (State 'Selection' <S2>:23). The report view changes to show the corresponding code in `rtwdemo_unicode.c`.
5. In the code comment, click the <S2>:23 link. The model window shows the chart in a new tab.
6. In the model window, right-click that chart. Select **C/C++ Code > Navigate to C/C++ Code**. The report view changes to show the named constant section of code for that chart.



# Source Code Generation

---

- “Generate Code Using Embedded Coder®” on page 18-2
- “Generate Code with the Embedded Coder Quick Start Tool” on page 18-10
- “Generate Code Modules” on page 18-14
- “Generate Reentrant Code from Top-Level Models” on page 18-20

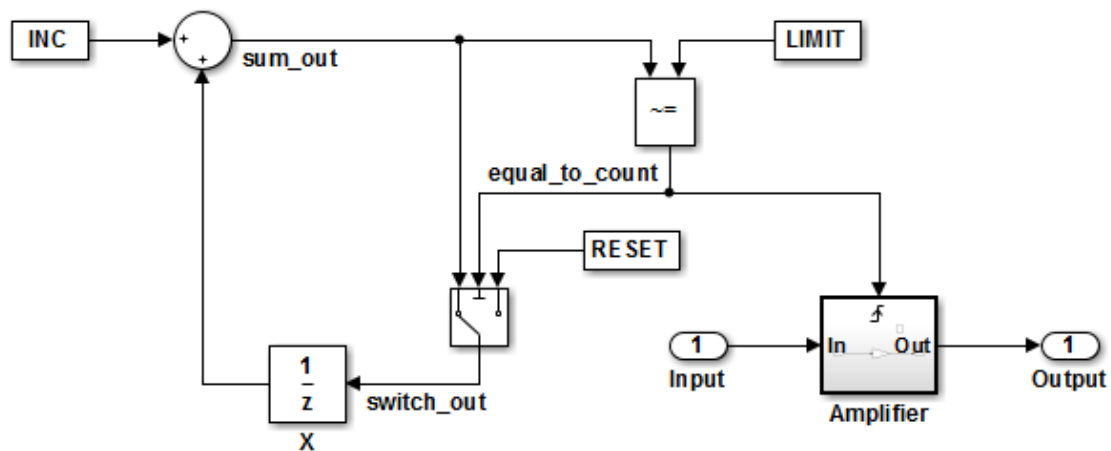
## Generate Code Using Embedded Coder®

This example shows how to select a target for a Simulink® model, configure options, generate C code for embedded systems, and view generated files.

The model represents an 8-bit counter that feeds a triggered subsystem that is parameterized by constant blocks INC, LIMIT, and RESET. Input and Output represent I/O for the model. The Amplifier subsystem amplifies the input signal by gain factor K, which updates when signal equal\_to\_count is true.

1. Open the model.

```
model='rtwdemo_rtwecintro';
open_system(model)
```



### Algorithm Description

An 8-bit counter feeds a triggered subsystem parameterized by constants INC, LIMIT, and RESET. The I/O for the model is Input and Output. The Amplifier subsystem amplifies the input signal by gain factor K, which is updated whenever signal equal\_to\_count is true.

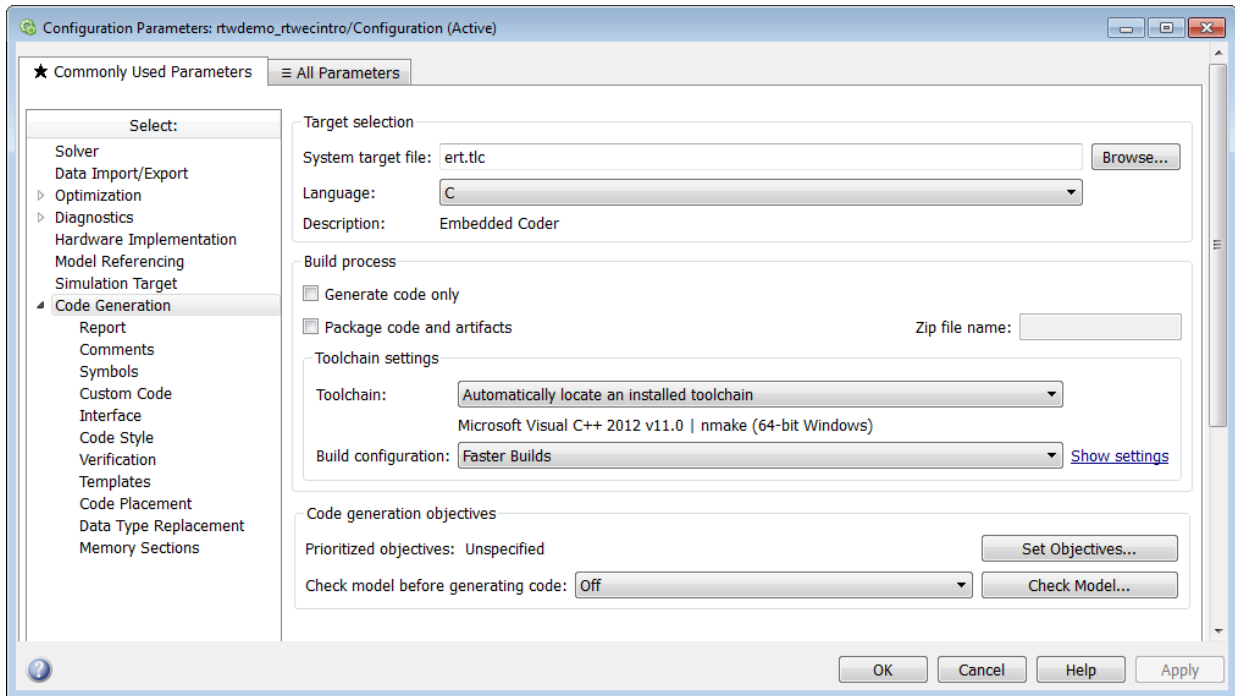
Copyright 1994-2012 The MathWorks, Inc.

2. Open the **Configuration Parameters** dialog box from the model editor by clicking **Simulation > Model Configuration Parameters**.

Alternately, type the following commands at the MATLAB® command prompt.

```
cs = getActiveConfigSet(model);
openDialog(cs);
```

3. Select the **Code Generation** node.



4. In the **Target Selection** pane, click **Browse** to select a target.

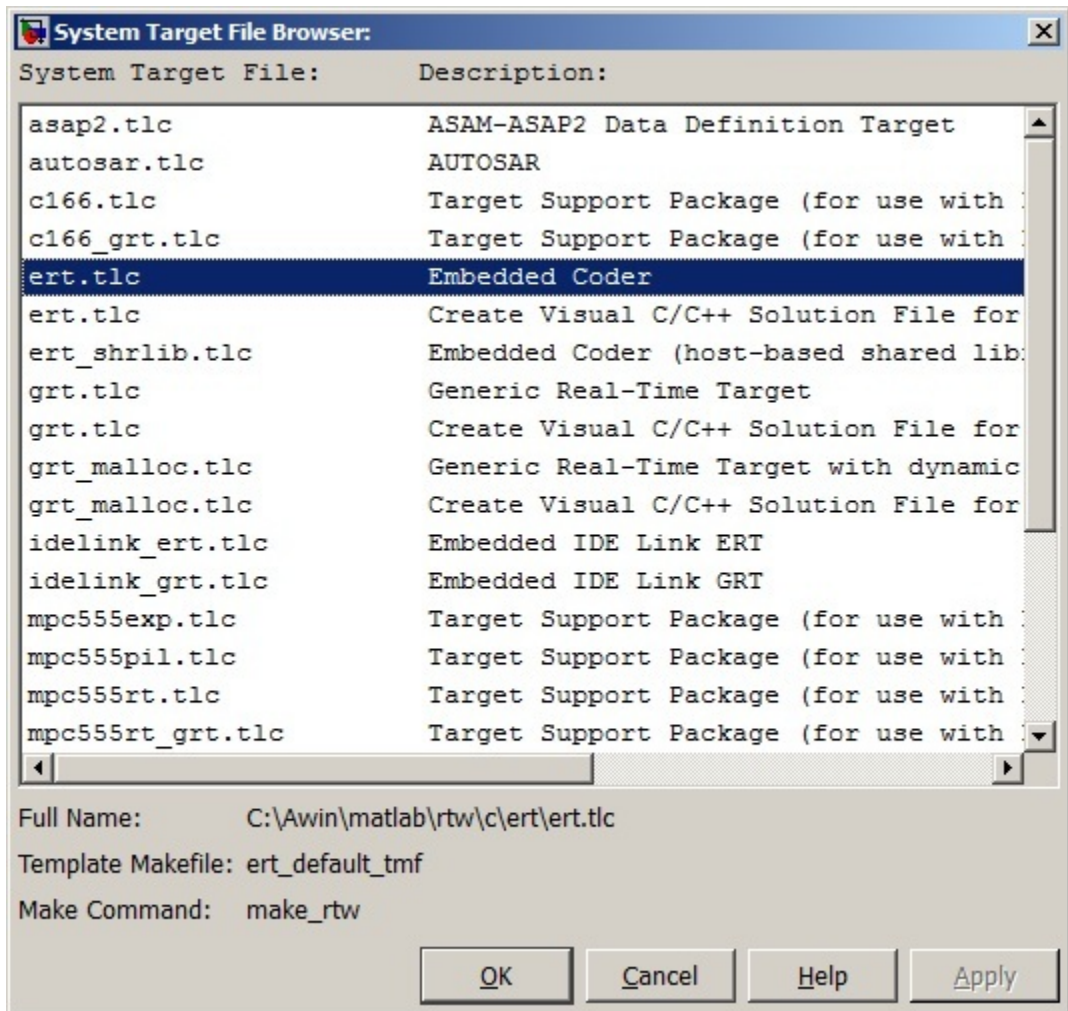
You can generate code for a particular target environment or purpose. Some built-in targetting options are provided using system target files, which control the code generation process for a target.

Target selection

System target file:

Language:

Description: Embedded Coder

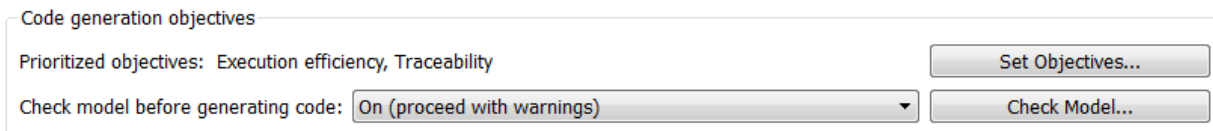


5. Select the **Embedded Real-Time (ERT)** target and click **Apply**.

The ERT target includes a utility to specify and prioritize code generation settings based on your application objectives.

6. In the **Code Generation Advisor** pane, click **Set Objectives**.

You can set and prioritize objectives for the generated code. For example, while code traceability might be a very important criterion for your application, you might not want to prioritize it at the cost of code execution efficiency.



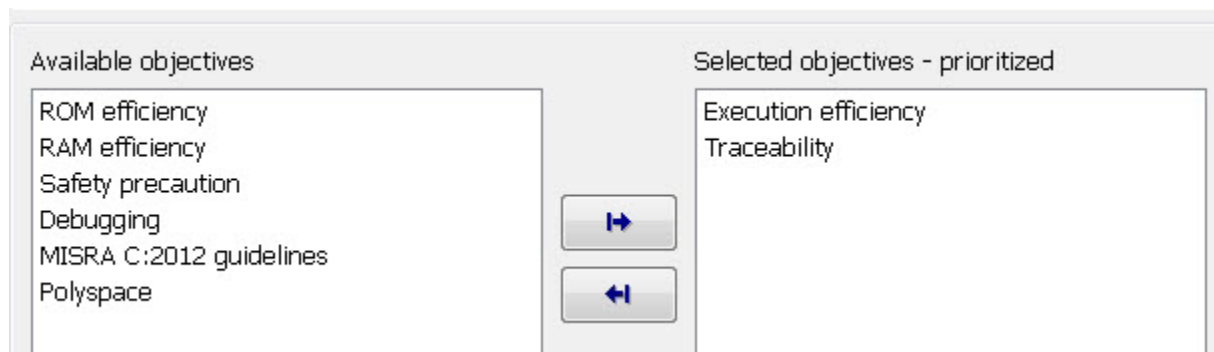
Code generation objectives

Prioritized objectives: Execution efficiency, Traceability Set Objectives...

Check model before generating code: On (proceed with warnings) Check Model...

7. In the **Set Objectives** pane, select **Execution efficiency** and **Traceability**. Click **OK**.

You can select and prioritize a combination of objectives before generating code.



Available objectives

- ROM efficiency
- RAM efficiency
- Safety precaution
- Debugging
- MISRA C:2012 guidelines
- Polyspace

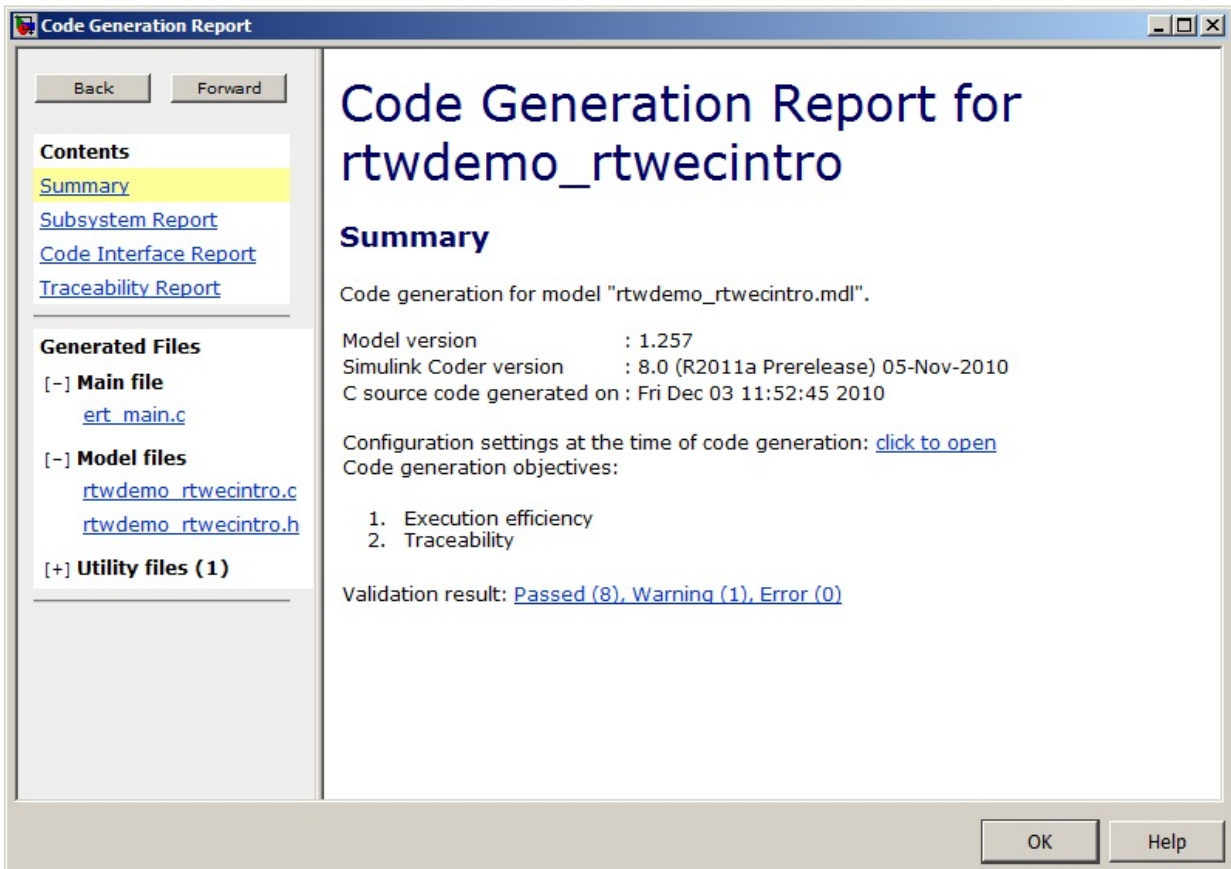
Selected objectives - prioritized

- Execution efficiency
- Traceability

8. In the model window, press **Ctrl+B** to generate code.

9. View the code generation report that appears.

The report includes `rtwdemo_rtweccintro.c`, associated utility and header files, and traceability and validation reports.



The figure below contains a portion of `rtwdemo_rtweintro.c`

```

1  /* Model step function */
2  void rtwdemo_rtwecintro_step(void)
3  {
4      boolean_T rtb_equal_to_count;
5
6      /* Sum: '<Root>/Sum' incorporates:
7       * Constant: '<Root>/INC'
8       * UnitDelay: '<Root>/X'
9       */
10     rtDWork.X = (uint8_T)(1U + (uint32_T)rtDWork.X);
11
12     /* RelationalOperator: '<Root>/RelOpt' incorporates:
13      * Constant: '<Root>/LIMIT'
14      */
15     rtb_equal_to_count = (rtDWork.X != 16);
16
17     /* Outputs for Triggered SubSystem: '<Root>/Amplifier' incorporates:
18      * TriggerPort: '<S1>/Trigger'
19      */
20     if (rtb_equal_to_count && (rtPrevZCSigState.Amplifier_Trig_ZCE != POS_ZCSIG))
21     {
22         /* Output: '<Root>/Output' incorporates:
23          * Gain: '<S1>/Gain'
24          * Inport: '<Root>/Input'
25          */
26         rtY.Output = rtU.Input << 1;
27     }
28
29     rtPrevZCSigState.Amplifier_Trig_ZCE = (uint8_T)(rtb_equal_to_count ? (int32_T)
30         POS_ZCSIG : (int32_T)ZERO_ZCSIG);
31
32     /* End of Outputs for SubSystem: '<Root>/Amplifier' */
33
34     /* Switch: '<Root>/Switch' */
35     if (!rtb_equal_to_count) {
36         /* Update for UnitDelay: '<Root>/X' incorporates:
37          * Constant: '<Root>/RESET'
38          */
39         rtDWork.X = 0U;
40     }
41
42     /* End of Switch: '<Root>/Switch' */
43 }

```



**10.** Close the model.

```
bdclose(model)  
rtwdemoclean;
```

## Generate Code with the Embedded Coder Quick Start Tool

### In this section...

“Quick Start Model Analysis” on page 18-10

“Configuration Parameter Changes for Models with a Configuration Reference” on page 18-12

“Next Steps” on page 18-12

The Embedded Coder Quick Start tool helps you prepare your Simulink model for code generation to generate readable, efficient code. To start the tool, from the model window, select **Code > C/C++ > Embedded Coder Quick Start**.

After you start the tool, you must answer these questions about the code that you want to generate:

- What is the model or subsystem for code generation?
- What is the type of code output for your generated code?
- What is the target hardware processor type?
- What is your primary code generation objective?

The tool validates your choices against the model and presents the parameter changes required to generate code. If you choose to generate code, the tool applies the changes to your configuration set and generates the code. After code generation, you can view the code generation report and find information on building, customizing, optimizing, and packaging the code.

### Quick Start Model Analysis

At each step of the Embedded Coder Quick Start process, the tool validates your model against your selections. The tool determines if there are model conditions that prevent you from proceeding with code generation. During the analysis step, the tool must also examine your model or subsystem for answers to the following questions. The answers help determine the best configuration for the deployment of your code.

#### **How many sample rates are in your system?**

The Quick Start tool evaluates your model to determine the number of periodic sample rates in your system.

<b>Single rate</b>	Your model has only one periodic sample rate. The generated code has a single-entry point function that runs at the time interval of the sample rate.
<b>Multirate</b>	<p>Your model has more than one periodic sample rate. It is possible that the generated code does not execute at the same time intervals. Following the analysis step, you can choose to generate a single-entry point function for each of the sample rates, or generate a different entry point function for each sample rate.</p> <p>If you choose to generate multitasking code, Embedded Coder generates multiple entry point functions. These functions run as multiple tasks. Each entry point function is called at an interval defined by the sample rate that is configured in the model.</p>

---

**Note:** If your model contains an asynchronous rate, an additional entry point function is generated to run at the specific interrupt time.

---

For more information about sample rates, see “Time-Based Scheduling and Code Generation”.

#### **Does your system contain continuous states?**

The Quick Start tool evaluates your model for continuous blocks to determine the correct solver to use.

<b>No</b>	The Quick Start tool configures your model to use a fixed-step discrete solver for code generation if you have not selected one.
<b>Yes</b>	The Quick Start tool configures your model to use a fixed-step continuous solver for code generation if you have not selected one. It also selects the <code>SupportContinuous</code> configuration parameter.

For more information on solvers, see “Solvers”.

#### **Did you configure your system for export function calls?**

The Quick Start tool evaluates your model to see if scheduler code must be generated.

<b>No</b>	The generated code includes code for the system algorithm and scheduler code.
<b>Yes</b>	The generated code includes code for the system algorithm. You can manually write the scheduler code or generate it from other models.

For more information, see “Export-Function Models”.

### Does your system contain referenced models?

The Quick Start tool evaluates your model to see if it depends on code from other models.

No	The generated code does not depend on code from other models.
Yes	The generated code for your model depends on other modules generated from referenced models. Embedded Coder can optimize the generated code because it is aware of the relationship between your model and the referenced models.

For more information, see “Code Generation of Referenced Models”.

## Configuration Parameter Changes for Models with a Configuration Reference

To apply configuration parameter changes to a model with an active configuration reference, the Quick Start tool:

- Creates a new `Simulink.ConfigSet` object, `QuickStart_timestamp`, in the workspace or data dictionary that contains the original configuration set. The new object is a copy of the original configuration set with the parameter changes applied.
- Creates a new `Simulink.ConfigSetRef` object that points to the new configuration set object.
- Attaches the new configuration reference to the model and makes it the active configuration.

To restore the original configuration set, activate the original `Simulink.ConfigSetRef` object.

---

**Note:** If the Quick Start tool creates the new configuration set object in the MATLAB workspace, you must save it to preserve the configuration set after the MATLAB session ends. For more information, see “Save a Configuration Set”.

---

## Next Steps

After you have generated code by using Embedded Coder Quick Start, possible next steps are:

- “Open Code Generation Report” on page 19-11
- “Code Appearance”
- “Build Process”
- “Application Objectives Using Code Generation Advisor”
- “Manage a Configuration Set”
- “Initiate Code Generation”
- “Relocate Code to Another Development Environment”

## Generate Code Modules

In this section...
“Introduction” on page 18-14
“Generated Code Modules” on page 18-14
“User-Written Code Modules” on page 18-17
“Customize Generated Code Modules” on page 18-17

### Introduction

This section summarizes the code modules and header files that make up an Embedded Coder program and describes where to find the code modules and header files.

The easiest way to locate and examine the generated code files is to use the HTML code generation report. The code generation report provides a table of hyperlinks that you click to view the generated code in the MATLAB Help browser. For more information, see “Traceability in Code Generation Report” on page 19-18.

### Generated Code Modules

The Embedded Coder software creates a build folder in your working folder to store generated source code. The build folder also contains object files, a makefile, and other files created during the code generation process. The default name of the build folder is `model_ert_rtw`.

Embedded Coder File Packaging summarizes the structure of source code generated by the Embedded Coder software.

## Embedded Coder File Packaging

File	Description
<i>model.c</i> or <i>.cpp</i>	Contains entry points for code implementing the model algorithm (for example, <i>model_step</i> , <i>model_initialize</i> , and <i>model_terminate</i> ).
<i>model_private.h</i>	Contains local macros and local data that are required by the model and subsystems. This file is included in the <i>model.c</i> file as a <code>#include</code> statement. You do not need to include <i>model_private.h</i> when interfacing handwritten code to the generated code of a model.
<i>model.h</i>	Declares model data structures and a public interface to the model entry points and data structures. Also provides an interface to the real-time model data structure ( <i>model_M</i> ) with accessor macros. <i>model.h</i> is included in the subsystem <i>.c</i> or <i>.cpp</i> files of the model.  If you are interfacing your handwritten code to generated code for one or more models, include <i>model.h</i> for each of those models.
<i>model_data.c</i> or <i>.cpp</i> (conditional)	<i>model_data.c</i> or <i>.cpp</i> is conditionally generated. It contains the declarations for the parameters data structure, the constant block I/O data structure, and any zero representations for the model structure data types. If these data structures and zero representations are not used in the model, <i>model_data.c</i> or <i>.cpp</i> is not generated. These structures and zero representations are declared <code>extern</code> in <i>model.h</i> .
<i>model_types.h</i>	Provides forward declarations for the real-time model data structure and the parameters data structure. Function declarations of reusable functions might need these declarations. Also provides type definitions for user-defined types used by the model.
<i>rtwtypes.h</i>	Defines data types, structures, and macros required by Embedded Coder generated code. Most other generated code modules also require these definitions. For more information, see “ <i>rtwtypes.h</i> and Shared Utility Code”.
<i>multiword_types.h</i>	Contains type definitions for wide data types and their chunks. File is generated when multiword data types are used or when you select one or more of the following in the Configuration Parameters dialog box: <ul style="list-style-type: none"> <li>• <b>All Parameters &gt; MAT-file logging</b></li> </ul>

File	Description
	<ul style="list-style-type: none"> <li>External mode for</li> </ul> <p style="text-align: center;"><b>Code Generation &gt; Interface &gt; Interface</b></p>
model_reference_types.h	Contains type definitions for timing bridges. File is generated for a model reference target or a model containing model reference blocks.
builtin_typeid_types.h	<p>Defines an enumerated type corresponding to built-in data types. File is generated when your model contains a Stateflow chart that uses messages or when you select one or more of the following in the Configuration Parameters dialog box:</p> <ul style="list-style-type: none"> <li><b>All Parameters &gt; MAT-file logging</b></li> <li>C API for</li> </ul> <p style="text-align: center;"><b>Code Generation &gt; Interface &gt; Interface</b></p>
zero_crossing_types.h	Contains zero-crossing definitions for models with triggered subsystems where the trigger is <b>rising</b> , <b>falling</b> , or <b>either</b> . File is generated only if required by the model.
ert_main.c or .cpp (optional)	If the <b>Generate an example main program</b> option is on, this file is generated. (This option is on by default.) See “Generate an example main program”.
rtmodel.h (optional)	<p>If the <b>Generate an example main program</b> option is off, this file is generated. (See “Generate an example main program”.)</p> <p>rtmodel.h contains <code>#include</code> directives required by the <code>rt_main.c</code> or <code>rt_cppclass_main.cpp</code> static main program module. Because the static main program module is not created at code generation time, it includes <code>rtmodel.h</code> to access model-specific data structures and entry points.</p> <p>For more information, see “Static Main Program Module” on page 22-10.</p>
model_capi.c or .cpp model_capi.h (optional)	Provides data structures that enable a running program to access model signals, states, and parameters without external mode. To learn how to generate and use the <code>model_capi.c</code> or <code>.cpp</code> and <code>.h</code> files, see “Exchange Data Between Generated and External Code Using C API” in the Simulink Coder documentation.



You can customize the generated set of files in several ways:

- **File packaging formats:** Specify the number of source files generated for your model. In the Configuration Parameter dialog box, on the **Code Generation > Code Placement** pane, specify the **File packaging format** parameter. For more information, see “Customize Generated Code Modules” on page 18-17.
- **Nonvirtual subsystem code generation:** Instruct the code generation software to generate separate functions, within separate code files, for nonvirtual subsystems. You can control the names of the functions and of the code files. For further information, see “Code Generation of Subsystems”.
- **Custom storage classes:** Use custom storage classes to partition generated data structures into different files based on file names that you specify. For further information, see “Introduction to Custom Storage Classes” on page 10-2.
- **Module Packaging Features (MPF):** Direct the generated code into a required set of `.c` or `.cpp` and `.h` files, and control the internal organization of the generated files. For details, see “Data, Function, and File Definition”.

## User-Written Code Modules

Code that you write to interface with generated model code usually includes a customized main module (based on a main program provided by the code generation software), and may also include interrupt handlers, device driver blocks and other S-functions, and other supervisory or supporting code.

Establish a working folder for your own code modules. Put your working folder on the MATLAB path. Minimally, you must also modify the ERT template makefile and system target file so that the build process can find your source and object files. If you want to generate code for a particular microprocessor or development board and deploy the code on target hardware with a cross-development system, make more extensive modifications to the ERT target files.

For information on how to customize the ERT target for your production requirements, see “Target Development”.

## Customize Generated Code Modules

Embedded Coder software provides a configuration parameter to specify how the generated source code is packaged into files. The configuration parameter **File packaging format** drop-down list options are located in the Configuration Parameter

dialog box, on the **Code Generation > Code Placement** pane, in the Code Packaging section. The options are: Modular, Compact (with separate data file), and Compact. Generated Files According to File Packaging Format shows the files generated for each file packaging format and the files that have been removed.

### Generated Files According to File Packaging Format

File Packaging Format	Generated Files	Removed Files
Modular (default)	<i>model.c</i> subsystem files (optional) <i>model.h</i> <i>model_types.h</i> <i>model_private.h</i> <i>model_data.c</i> (conditional)	None
Compact (with separate data file)	<i>model.c</i> <i>model.h</i> <i>model_data.c</i> (conditional)	<i>model_private.h</i> <i>model_types.h</i> (conditional, see below)
Compact	<i>model.c</i> <i>model.h</i>	<i>model_data.c</i> <i>model_private.h</i> <i>model_types.h</i> (conditional, see below)

The code generation process places the content of the removed files as follows:

Removed File	Generated Content In File
<i>model_private.h</i>	<i>model.c</i> and <i>model.h</i>
<i>model_types.h</i>	<i>model.h</i>
<i>model_data.c</i>	<i>model.c</i>

You can specify a different file packaging format for each referenced model.

If you specify **Shared code placement** as **Shared location** on the **Code Generation > Interface** pane of the Configuration Parameter dialog box, the code generation process generates separate files for utility code in a shared location, regardless of the file packaging format. If you specify the **Shared code placement** as **Auto**, the generated code for utilities is dependent on the file packaging format as follows:

- **Modular**: Some shared utility files are in the build directory
- **Compact (with separate data file)**: Utility code is generated in *model.c*
- **Compact**: Utility code is generated in *model.c*

File packaging formats **Compact** and **Compact (with separate data file)** generate *model\_types.h* for models containing:

- A Model Variants block or a Variant Subsystem block. The *model\_types.h* file includes preprocessor directives defining the variant objects associated with a variant block.
- Custom storage classes generating a separate header file.

File packaging formats **Compact** and **Compact (with separate data file)** are not compatible with the following:

- A model containing a subsystem, which is configured to generate separate source files
- A model containing a noninlined S-function
- A model for which **Shared code placement** is set to **Auto**, which uses data objects for which **Data scope** is set to **Exported**

## Generate Reentrant Code from Top-Level Models

To generate reentrant multi-instance code from a model, select **Reusable function** code interface packaging. When you select the **Reusable function** code interface for an ERT-based model:

- By default, the generated *model.c* source file does not contain an allocation function that dynamically allocates model data for each instance of the model. Use the **Use dynamic memory allocation for model initialization** option to control whether an allocation function is generated.
- The generated code passes the real-time model data structure in, by reference, as an argument to *model\_step* and the other model entry point functions.
- The real-time model data structure is exported with the *model.h* header file.
- By default, root-level input and output arguments are passed to the reusable model entry-point functions as individual arguments. Use the **Pass root-level I/O as** parameter to control whether root-level input and output arguments are included in the real-time model data structure that is passed to the functions, passed as individual arguments, or passed as references to an input structure and an output structure.

To configure an ERT-based model to generate reusable, reentrant code:

- 1 In the **Code Generation > Interface** pane of the Configuration Parameters dialog box, set **Code interface packaging** to the value **Reusable function**. This action enables the parameters **Multi-instance code error diagnostic**, **Pass root-level I/O as**, and **All Parameters > Use dynamic memory allocation for model initialization**.
- 2 Examine the setting of **Multi-instance code error diagnostic**. Leave the parameter at its default value **ERROR** unless you have a specific need to alter the severity level for diagnostics displayed when a model violates requirements for generating multi-instance code.
- 3 Configure **Pass root-level I/O as** to control how root-level model input and output are passed to *model\_step* and the other generated model entry-point functions.

When you set **Code interface packaging** to **Reusable function**, model data (such as block I/O, DWork, and parameters) is packaged into the real-time model data structure, and the model structure is passed to the model entry-point functions. If you set **Pass root-level I/O as** to **Part of model data structure**, the

root-level model input and output also are packaged into the real-time model data structure.

- 4 If you want the generated model code to contain a function that dynamically allocates memory for model instance data, on the **All Parameters** tab, select the option **Use dynamic memory allocation for model initialization**. If you do not select this option, the generated code statically allocates memory for model data structures.
- 5 Generate model code.
- 6 Examine the model entry-point function interfaces in the generated files and the HTML code generation report. For more information about generating and calling model entry-point functions, see “Entry-Point Functions and Scheduling”.

For an example of a model configured to generate reusable, reentrant code, open the example model `rtwdemo_reusable`. Click the button **View Interface Configuration** and examine the **Code interface** parameters on the **Code Generation > Interface** pane.

Code interface

Code interface packaging:  Multi-instance code error diagnostic:

Pass root-level I/O as:

Suppress error status in real-time model data structure



# Report Generation

---

- “Reports for Code Generation” on page 19-2
- “HTML Code Generation Report Extensions” on page 19-3
- “HTML Code Generation Report Location” on page 19-5
- “HTML Code Generation Report for Referenced Models” on page 19-6
- “Search Code Generation Report” on page 19-7
- “Generate a Code Generation Report” on page 19-8
- “Generate Code Generation Report After Build Process” on page 19-9
- “Open Code Generation Report” on page 19-11
- “Generate Code Generation Report Programmatically” on page 19-13
- “View Code Generation Report in Model Explorer” on page 19-14
- “Package and Share the Code Generation Report” on page 19-16
- “Traceability in Code Generation Report” on page 19-18
- “View Code Metrics and Definitions in the Generated Code” on page 19-20
- “Web View of Model in Code Generation Report” on page 19-21
- “Analyze the Generated Code Interface” on page 19-25
- “Static Code Metrics” on page 19-38
- “Generate Static Code Metrics Report for Simulink Model” on page 19-41
- “Generate a Static Code Metrics Report for MATLAB Code” on page 19-47
- “Analyze Code Replacements in the Generated Code” on page 19-54
- “Document Generated Code with Simulink Report Generator” on page 19-56

## Reports for Code Generation

Simulink Coder software provides an HTML code generation report so that you can view and analyze the generated code. When your model is built, the code generation process produces an HTML file that is displayed in an HTML browser or in the Model Explorer. The code generation report includes:

- The **Summary** section lists version, date, and code generation objectives information. The **Configuration settings at the time of code generation** link opens a noneditable view of the Configuration Parameters dialog box. The dialog box shows the Simulink model settings at the time of code generation, including TLC options.
- The **Subsystem Report** section contains information on nonvirtual subsystems in the model.
- In the **Generated Files** section on the **Contents** pane, you can click the names of source code files generated from your model to view their contents in a MATLAB Web browser window. In the displayed source code, global variables are hypertext that links to their definitions.
- A **Find** box at the top of the window. For more information, see “Search Code Generation Report” on page 19-7.

For an example, see “Generate a Code Generation Report” on page 19-8 and “View Code Generation Report in Model Explorer” on page 19-14.

The contents of HTML reports varies depending on different target types. You can generate individual HTML reports for a subsystem or referenced model. For more information, see “HTML Code Generation Report for Referenced Models” on page 19-6 and “Generate Code for Referenced Models”.

If you have a Simulink Report Generator™ license, you can document your code generation project in multiple formats, including HTML, PDF, RTF, Microsoft Word, and XML. For an example of how to create a Microsoft Word report, see “Document Generated Code with Simulink Report Generator” on page 19-56.



## HTML Code Generation Report Extensions

The Embedded Coder code generation report is an enhanced version of the HTML code generation report. The Simulink Coder build process generates the HTML report. With the Embedded Coder software, you can configure your model to include the following sections in the report:

- The **Code Interface Report** section provides information about the generated code interface, including model entry point functions and input/output data. For more information, see “Analyze the Generated Code Interface” on page 19-25.
- The **Traceability Report** section allows you to account for **Eliminated / Virtual Blocks** that are untraceable versus the listed **Traceable Simulink Blocks / Stateflow Objects / MATLAB Scripts**. This provides a complete mapping between model elements and code. For more information, see “Customize Traceability Reports” on page 33-30.
- The **Static Code Metrics Report** section provides statistics of the generated code. Metrics are estimated from static analysis of the generated code. For more information, see “Static Code Metrics” on page 19-38.
- The **Code Replacements Report** section allows you to account for code replacement library (CRL) functions that were used during code generation, providing a mapping between each replacement instance and the Simulink block that triggered the replacement. For more information, see “Analyze Code Replacements in the Generated Code” on page 19-54.
- The model Web view displays an interactive model diagram within the code generation report and supports traceability between the source code and the model. Therefore, you can share your model and generated code outside of the MATLAB environment. For more information, see “Generate HTML Code Generation Report with Model Web View” on page 19-21.

On the **Contents** pane, in the **Generated Files** section, you can click the names of source code files generated from your model to view their contents in a MATLAB Web browser window. In the displayed source code:

- If you enable code-to-model traceability, hyperlinks within the displayed source code navigate to the blocks or subsystems from which the code is generated. For more information, see “Traceability in Code Generation Report” on page 19-18 and “Trace Code to Model Objects Using Hyperlinks” on page 33-6.

- If you enable model-to-code traceability, you can navigate to the generated code for a block in the model. For more information, see “Trace Model Objects to Generated Code” on page 33-8.
- If you set the **Code coverage tool** parameter on the **Code Generation > Verification** pane, you can view the code coverage data and annotations. For more information, see “Configure SIL and PIL Code Coverage” on page 39-3.
- If you select the **Static code metrics** check box on the **Code Generation > Report** pane, you can view code metrics information and navigate to code definitions and declarations in the generated code. For more information, see “View Code Metrics and Definitions in the Generated Code” on page 19-20.

## HTML Code Generation Report Location

The default location for the code generation report files is in the `html` subfolder of the build folder, `model_target_rtw/html/`. *target* is the name of the **System target file** specified on the **Code Generation** pane. The default name for the top-level HTML report file is `model_codegen_rpt.html` or `subsystem_codegen_rpt.html`. For more information on the location of the build folder, see “Control the Location for Generated Files”.

## HTML Code Generation Report for Referenced Models

To generate a code generation report for a top model and code generation reports for each referenced model, you need to specify the **Create code generation report** on the **Code Generation > Report** pane for the top model and each referenced model. You can open the code generation report of a referenced model in one of two ways:

- From the top-model code generation report, you can access the referenced model code generation report by clicking a link under **Referenced Models** in the left navigation pane. Clicking a link opens the code generation report for the referenced model in the browser. To navigate back to the top model code generation report, use the **Back** button at the top of the left navigation pane.
- From the referenced model diagram window, select **Code > C/C++ Code > Code Generation Report > Open Model Report**.

To generate a code generation report for a referenced model individually, follow the instructions in “Generate a Code Generation Report” on page 19-8 and “Open Code Generation Report” on page 19-11 for the referenced model.

## Search Code Generation Report

When the code generation report is displayed in the MATLAB Web browser window, you can search the report using the **Find** box at the top of the window. The search is not case sensitive.

Pressing **Ctrl-F** sets focus to the **Find** box. Type text into the **Find** box and hit **Enter** to start the search. The search highlights the found terms in the displayed page and scrolls to the first instance found. Press **Enter** to scroll through the subsequent search hits. If no terms are found, the background of the search box is highlighted red.

## Generate a Code Generation Report

To generate a code generation report when the model is built:

- 1 In the Simulink Editor, select **Code > C/C++ Code > Code Generation Report > Options**. The Configuration Parameters dialog box opens with the **Code Generation > Report** pane visible.
- 2 Select the **Create code generation report** parameter.
- 3 If you want the code generation report to automatically open after generating code, select the **Open report automatically** parameter (which is enabled by selecting **Create code generation report**).
- 4 Generate code.

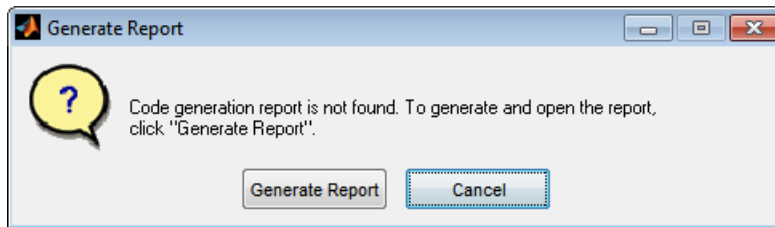
The build process writes the code generation report files to the `html` subfolder of the build folder (see “HTML Code Generation Report Location” on page 19-5). Next, the build process automatically opens a MATLAB Web browser window and displays the code generation report.

To open an HTML code generation report at any time after a build, see “Open Code Generation Report” on page 19-11 and “Generate Code Generation Report After Build Process” on page 19-9.

## Generate Code Generation Report After Build Process

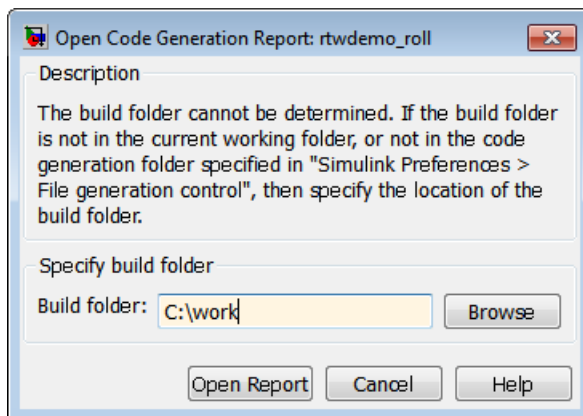
After generating code, if you did not configure your model to create a code generation report, you can generate a code generation report without rebuilding your model.

- 1 In the model diagram window, select **Code > C/C++ Code > Code Generation Report > Open Model Report**.
- 2 If your current working folder contains the code generation files the following dialog opens.



Click **Generate Report**.

- 3 If the code generation files are not in your current working directory, the following dialog opens.



Enter the full path of the build folder for your model, `../model_target_rtw` and click **Open Report**.

The software generates a report, *model\_codgen\_rpt.html*, from the code generation files in the build folder you specified.

---

**Note:** An alternative method for generating the report after the build process is complete is to configure your model to generate a report and build your model. In this case, the software generates the report without regenerating the code.

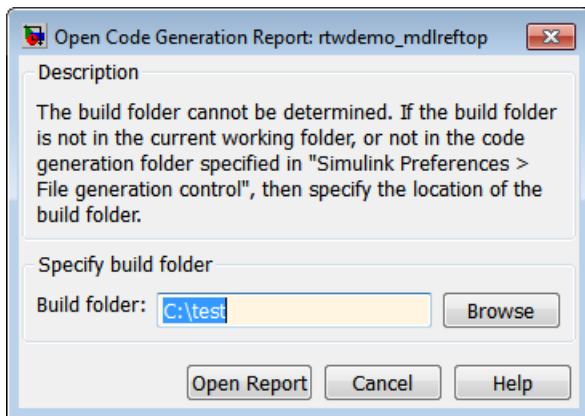
---



## Open Code Generation Report

You can refer to existing code generation reports at any time. If you generated a code generation report, you can open the report by selecting **Code > C/C++ Code > Code Generation Report > Open Model Report**. If you are opening a report for a subsystem, select **Open Subsystem Report**. A Simulink Coder license is required to view the code generation report. An Embedded Coder license is required to view a code generation report enhanced with Embedded Coder features.

If your current working folder does not contain the code generation files and the code generation report, the following dialog box opens:



Enter the full path of the build folder for your model, `../model_target_rtw` and click **Open Report**.

Alternatively, you can open the code generation report (`model_codegen_rpt.html` or `subsystem_codegen_rpt.html`) manually into a MATLAB Web browser window, or in another Web browser. For the location of the generated report files, see “HTML Code Generation Report Location” on page 19-5.

### Limitation

After building your model or generating the code generation report, if you modify legacy or custom code, you must rebuild your model or regenerate the report for the code generation report to include the updated legacy source files. For example, if you modify your legacy code, and then use the **Code > C/C++ Code > Code Generation**

**Report > Open Model Report** menu to open an existing report, the software does not check if the legacy source file is out of date compared to the generated code. Therefore, the code generation report is not regenerated and the report includes the out-of-date legacy code. This issue also occurs if you open a code generation report using the `coder.report.open` function.

To regenerate the code generation report, do one of the following:

- Rebuild your model.
- Generate the report using the `coder.report.generate` function.

## Generate Code Generation Report Programmatically

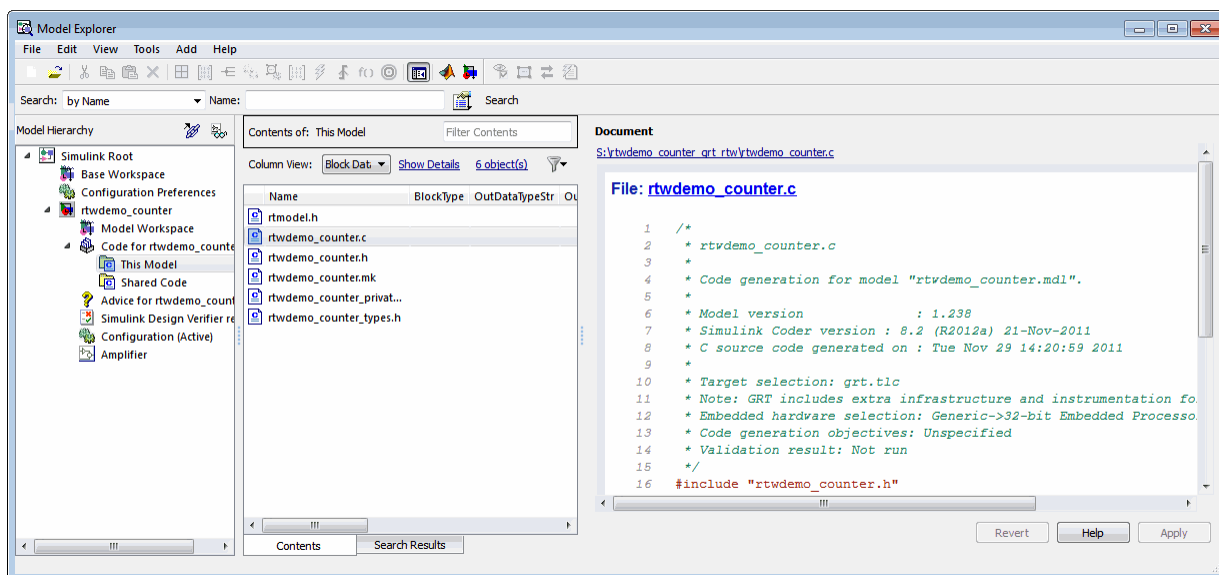
At the MATLAB command line, you can generate, open, and close an HTML Code Generation Report with the following functions:

- `coder.report.generate` generates the code generation report for the specified model.
- `coder.report.open` opens an existing code generation report.
- `coder.report.close` closes the code generation report.

## View Code Generation Report in Model Explorer

After generating an HTML code generation report, you can view the report in the right pane of the Model Explorer. You can also browse the generated files directly in the Model Explorer.

When you generate code, or open a model that has generated code for its current target configuration in your working folder, the **Hierarchy** (left) pane of Model Explorer contains a node named **Code for model**. Under that node are other nodes, typically called **This Model** and **Shared Code**. Clicking **This Model** displays in the **Contents** (middle) pane a list of generated source code files in the build folder of that model. The next figure shows code for the `rtwdemo_counter` model.



In this example, the file `S:/rtwdemo_counter_grt_rtw/rtwdemo_counter.c` is being displayed. To view a file in the **Contents** pane, click it once.

The views in the **Document** (right) pane are read only. The code listings there contain hyperlinks to functions and macros in the generated code. Clicking the file hyperlink opens that source file in a text editing window where you can modify its contents.

If an open model contains **Model** blocks, and if generated code for these models exists in the current `slprj` folder, nodes for the referenced models appear in the **Hierarchy** pane

one level below the node for the top model. Such referenced models do not need to be open for you to browse and read their generated source files.

If the Simulink Coder software generates shared utility code for a model, a node named **Shared Code** appears directly under the **This Model** node. It collects source files that exist in the `./slprj/target/_sharedutils` subfolder.

---

**Note** You cannot use the **Search** tool built into Model Explorer toolbar to search generated code displayed in the Code Viewer. On PCs, typing **Ctrl+F** when focused on the **Document** pane opens a Find dialog box that you can use to search for strings in the currently displayed file. You can also search for text in the HTML report window, and you can open the files in the editor.

---

## Package and Share the Code Generation Report

### In this section...

“Package the Code Generation Report” on page 19-16

“View the Code Generation Report” on page 19-17

### Package the Code Generation Report

To share the code generation report, you can package the code generation report files and supporting files into a zip file for transfer. The default location for the code generation report files is in two folders:

- /slprj
- html subfolder of the build folder, *model\_target\_rtw*, for example *rtwdemo\_counter\_grt\_rtw/html*

To create a zip file from the MATLAB command window:

- 1 In the Current Folder browser, select the two folders:
  - /slprj
  - Build folder: *model\_target\_rtw*
- 2 Right-click to open the context menu.
- 3 In the context menu, select **Create Zip File**. A file appears in the Current Folder browser.
- 4 Name the zip file.

Alternatively, you can use the MATLAB `zip` command to zip the code generation report files:

```
zip('myzip',{'slprj','rtwdemo_counter_grt_rtw'})
```

---

**Note:** If you need to relocate the static and generated code files for a model to another development environment, such as a system or an integrated development environment (IDE) that does not include MATLAB and Simulink products, use the Simulink Coder pack-and-go utility. For more information, see “Relocate Code to Another Development Environment”.

---

## View the Code Generation Report

To view the code generation report after transfer, unzip the file and save the two folders at the same folder level in the hierarchy. Navigate to the *model\_target\_rtw/html/* folder and open the top-level HTML report file named *model\_codgen\_rpt.html* or *subsystem\_codegen\_rpt.html* in a Web browser.

## Traceability in Code Generation Report

This example shows how to create an HTML code generation report which includes links to trace between the source code and the Simulink model window.

- 1 With your ERT-based model open, open the Configuration Parameters dialog box or Model Explorer and navigate to the **Code Generation > Report** pane.
- 2 Select **Create code generation report** if it is not already selected. By default, **Open report automatically** and **Code-to-model** are selected. **Model-to-code** is not selected.
- 3 Select the **Model-to-code** parameter.
- 4 If your model contains referenced models and you want to enable traceability for the referenced model's code generation report, repeat steps 2–3 for each referenced model.
- 5 Press **Ctrl+B** to generate code for your model. The build process opens the code generation report in a MATLAB Web browser.
- 6 In the left navigation pane, select a source code file. In the source code in the right pane, there are hyperlinks to blocks in the model.
- 7 Click a hyperlink in the code. The model diagram window displays and highlights the corresponding block in the model.
- 8 To highlight the generated code for a block in your Simulink model, right-click the block and select **C/C++ Code > Navigate to C/C++ Code**. This selection highlights the generated code for the block in the HTML code generation report.
- 9 If you have a referenced model in your model, in the left navigation pane, below **Reference Models**, click the link to a referenced model. The code generation report for the referenced model is now displayed in the window.
- 10 In the left navigation pane, click the **Back** button to go back to the previous code generation report.

### Related Examples

- “Trace Model Objects to Generated Code” on page 33-8
- “Trace Code to Model Objects Using Hyperlinks” on page 33-6
- “Trace Stateflow Objects in Generated Code” on page 33-11

### More About

- “What Is Code Tracing?” on page 33-2



- “Traceability Limitations” on page 33-33

## View Code Metrics and Definitions in the Generated Code

When you view code in the code generation report, to get access to code metrics and definitions, you can use the following tools:

- On the **Code Generation > Report** pane, if you select the **Static code metrics** check box you can hover your cursor over global variables and functions in the code window to see code metrics information.

```

141  * UnitDelay: '<Root>/X'
142  */
143  /* Gateway: Chart */
144  if (rtDWork.temporalCounter_i1 < 7U) {
145      rtDWork: Global Variable: rtDWork (19 byte)
146  }

```

- In the code window, if you click linked variables or functions, the code inspect window is displayed. The window provides links to definitions for the variables or functions. On the **Code Generation > Report** pane, if you selected the **Static code metrics** check box, you can also see code metrics information for the variable or function.

```

29  /* Block states (auto storage) */
30  D_Work rtDWork;
31
32  /* External outputs (root outputs fed by signals with auto storage) */
33  ExternalOutputs rtY;

```

Global Variable: *rtDWork* (19 byte)  
*rtDWork* defined at [rtwdemo\\_hyperlinks.c line 30](#)

## Web View of Model in Code Generation Report

### In this section...

“About Model Web View” on page 19-21

“Generate HTML Code Generation Report with Model Web View” on page 19-21

“Model Web View Limitations” on page 19-24

### About Model Web View

To review and analyze the generated code, it is helpful to navigate between the code and model. You can include a Web view of the model within the HTML code generation report. You can then share your model and generated code outside of the MATLAB environment. When you generate the report, the Web view includes the block diagram attributes displayed in the Simulink Editor, such as, block sorted execution order, signal properties, and port data types.

A Simulink Report Generator license is required to include a Web view of the model in the code generation report.

### Browser Requirements for Web View

Web view requires a Web browser that supports Scalable Vector Graphics (SVG). Web view uses SVG to render and navigate models.

You can use the following Web browsers:

- Mozilla Firefox Version 1.5 or later, which has native support for SVG. To download the Firefox browser, go to [www.mozilla.com/](http://www.mozilla.com/).
- The Microsoft Internet Explorer® Web browser with the Adobe® SVG Viewer plug-in. To download the Adobe SVG Viewer plug-in, go to [www.adobe.com/svg/](http://www.adobe.com/svg/).
- Apple Safari Web browser

### Generate HTML Code Generation Report with Model Web View

This example shows how to create an HTML code generation report which includes a Web view of the model diagram.

- 1 Open the `rtwdemo_mdleftop` model.

- 2 Open the Configuration Parameters dialog box or Model Explorer and navigate to the **Code Generation** pane.
- 3 Specify `ert.tlc` for the **System target file** parameter.
- 4 Open the **Code Generation > Report** pane.
- 5 Select the following parameters:
  - **Create code generation report**
  - **Open report automatically**
  - **Code-to-model**
  - **Model-to-code**
  - **Generate model Web view**

---

**Note:** These settings specify only the top model, not referenced models.

- 6 Open the Configuration Parameters for the referenced model, `rtwdemo_mdhrefbot` and perform steps 3–5.
- 7 Save the models, `rtwdemo_mdhreftop` and `rtwdemo_mdhrefbot`.
- 8 From the top model diagram, press Ctrl+B. After building the model and generating code, the code generation report for the top model opens in a MATLAB Web browser.
- 9 In the left navigation pane, select a source code file. The corresponding source code is displayed in the right pane and includes hyperlinks.

The screenshot displays the 'Code Generation Report' window. On the left, a navigation pane shows 'Contents' (Summary, Subsystem Report, Code Interface Report, Traceability Report, Static Code Metrics Report, Code Replacements Report) and 'Generated Code' (Main file: ert\_main.c; Model files: rtwdemo\_mdrefbot.c, rtwdemo\_mdrefbot.h, rtwdemo\_mdrefbot\_private.h, rtwdemo\_mdrefbot\_types.h; Shared files (3)). Under 'Referenced Models', a link for 'rtwdemo\_mdrefbot' is visible. The main area shows a C code file 'rtwdemo\_mdrefbot.c' with a function 'rtwdemo\_mdrefbot\_step' that includes comments and code for a discrete pulse generator. Below the code, a model diagram for 'rtwdemo\_mdrefbot' is shown, featuring three blocks: 'rtwdemo\_mdrefbot\_upper', 'rtwdemo\_mdrefbot\_lower', and 'rtwdemo\_mdrefbot\_lower'. The 'rtwdemo\_mdrefbot\_lower' block is highlighted in pink. Below the diagram, a text box explains Model Reference, and two buttons 'Generate Code Using Embedded Code' and 'Generate Code Using Standalone Code' are present. On the right, a 'Parameter Attributes' table for 'rtwdemo\_mdrefbot' is shown, listing properties like ModelVersion (1.205), LastModifiedDate (Mon Jun 30 11:33:32 2014), and Description (File Packaging for Models (Code and Data)).

- 10 Click a link in the code. The model Web view displays and highlights the corresponding block in the model.
- 11 To highlight the generated code for a referenced model block in your model, click CounterB. The corresponding code is highlighted in the source code pane.

**Note:** You cannot open the referenced model diagram in the Web view by double-clicking the referenced model block in the top model.

- 12 To open the code generation report for a referenced model, in the left navigation pane, below **Referenced Models**, click the link, `rtwdemo_mdrefbot`. The source files for the referenced model are displayed along with the Web view of the referenced model.
- 13 To go back to the code generation report for the top model, at the top of the left navigation pane, click the **Back** button until the top model's report is displayed.

For more information about exploring a model in a Web view, see “Navigate the Web View” in the Simulink Report Generator documentation.

For more information about navigating between the generated code and the model diagram, see :

- “Trace Model Objects to Generated Code” on page 33-8
- “Trace Code to Model Objects Using Hyperlinks” on page 33-6

## Model Web View Limitations

The HTML code generation report includes the following limitations when using the model Web view:

- Code is not generated for virtual blocks. In the model Web view of the code generation report, when tracing between the model and the code, when you click a virtual block, it is highlighted yellow.
- In the model Web view, you cannot open a referenced model diagram by double-clicking the referenced model block in the top model. Instead, open the code generation report for the referenced model by clicking a link under **Referenced Models** in the left navigation pane.
- Stateflow truth tables, events, and links to library charts are not supported in the model Web view.
- Searching in the code generation report does not find or highlight text in the model Web view.
- If you navigate from the actual model diagram (not the model Web view in the report), to the source code in the HTML code generation report, the model Web view is disabled and not visible. To enable the model Web view, open the report again, see “Open Code Generation Report”.
- For a subsystem build, the traceability hyperlinks of the root level inport and output blocks are disabled.
- “Traceability Limitations” on page 33-33 that apply to tracing between the code and the actual model diagram.

# Analyze the Generated Code Interface

## In this section...

“Code Interface Report Overview” on page 19-25

“Generating a Code Interface Report” on page 19-26

“Navigating Code Interface Report Subsections” on page 19-28

“Interpreting the Entry Point Functions Subsection” on page 19-29

“Interpreting the Inports and Outports Subsections” on page 19-32

“Interpreting the Interface Parameters Subsection” on page 19-34

“Interpreting the Data Stores Subsection” on page 19-35

“Code Interface Report Limitations” on page 19-36

## Code Interface Report Overview

When you select the **Create code generation report** option for an ERT-based model, a **Code Interface Report** section is automatically included in the generated HTML report. The **Code Interface Report** section provides documentation of the generated code interface, including model entry point functions and interface data, for consumers of the generated code. The information in the report can help facilitate code review and code integration.

The code interface report includes the following subsections:

- **Entry Point Functions** — interface information about each model entry point function, including `model_initialize`, `model_step`, and (if applicable) `model_terminate`.
- **Inports and Outports** — interface information about each model inport and outport.
- **Interface Parameters** — interface information about tunable parameters that are associated with the model.
- **Data Stores** — interface information about global data stores and data stores with non-auto storage that are associated with the model.

For limitations that apply to code interface reports, see “Code Interface Report Limitations” on page 19-36.

For illustration purposes, this section uses the following models:

- `rtwdemo_basicsc` (with the **ExportedGlobal Storage Class** button selected in the model window) for examples of report subsections
- `rtwdemo_mrmtdbb` for examples of timing information
- `rtwdemo_fcnpctctrl` for examples of function argument and return value information

## Generating a Code Interface Report

To generate a code interface report for your model:

- 1 Open your model, go to the **Code Generation** pane of the Configuration Parameters dialog box, and select `ert.tlc` or an ERT-based **System target file**, if one is not already selected.
- 2 Go to the **Code Generation > Report** pane of the Configuration Parameters dialog box and select the option **Create code generation report**, if it is not already selected. The `rtwdemo_basicsc`, `rtwdemo_mrmtdbb`, and `rtwdemo_fcnpctctrl` models used in this section select multiple **Report** pane options by default. But selecting only **Create code generation report**, generates a **Code Interface Report** section in the HTML report.

Alternatively, you can programmatically select the option by issuing the following MATLAB command:

```
set_param(bdroot, 'GenerateReport', 'on')
```

If the **Report** pane option **Code-to-model** is selected, the generated report contains hyperlinks to the model. Leave this value selected unless you plan to use the report outside the MATLAB environment.

- 3 Build the model. If you selected the **Report** pane option **Open report automatically**, the code generation report opens automatically after the build process is complete. (Otherwise, you can open it manually from within the model build folder.)
- 4 To display the code interface report for your model, go to the **Contents** pane of the HTML report and click the **Code Interface Report** link. For example, here is the generated code interface report for the model `rtwdemo_basicsc` (with the **ExportedGlobal Storage Class** button selected in the model window).



## Code Interface Report for rtwdemo\_basicsc

### Table of Contents

- [Entry Point Functions](#)
- [Inports](#)
- [Outports](#)
- [Interface Parameters](#)
- [Data Stores](#)

### Entry Point Functions

Function: [rtwdemo\\_basicsc\\_initialize](#)

Prototype	<b>void rtwdemo_basicsc_initialize(void)</b>
Description	Initialization entry point of generated code
Timing	Must be called exactly once
Arguments	None
Return value	None
Header file	<a href="#">rtwdemo_basicsc.h</a>

Function: [rtwdemo\\_basicsc\\_step](#)

Prototype	<b>void rtwdemo_basicsc_step(void)</b>
Description	Output entry point of generated code
Timing	Must be called periodically, every 1 second
Arguments	None
Return value	None
Header file	<a href="#">rtwdemo_basicsc.h</a>

### Inports

Block Name	Code Identifier	Data Type	Dimension
<a href="#">&lt;Root&gt;/In1</a>	input1	real32_T	1
<a href="#">&lt;Root&gt;/In2</a>	input2	real32_T	1
<a href="#">&lt;Root&gt;/In3</a>	input3	real32_T	1
<a href="#">&lt;Root&gt;/In4</a>	input4	real32_T	1

### Outports

Block Name	Code Identifier	Data Type	Dimension
<a href="#">&lt;Root&gt;/Out1</a>	output	real32_T	1

### Interface Parameters

Parameter Source	Code Identifier	Data Type	Dimension
K2	K2	real_T	1
LOWER	LOWER	real32_T	1
T1Break	T1Break	real32_T	[1 11]
T1Data	T1Data	real32_T	[1 11]
T2Break	T2Break	real32_T	[1 3]
T2Data	T2Data	real32_T	[3 3]
UPPER	UPPER	real32_T	1
K1	K1	int8_T	1

### Data Stores

Data Store Source	Code Identifier	Data Type	Dimension
<a href="#">&lt;Root&gt;/Data Store Memory</a>	mode	boolean_T	1

For help navigating the content of the code interface report subsections, see “Navigating Code Interface Report Subsections” on page 19-28. For help interpreting the content of the code interface report subsections, see the sections beginning with “Interpreting the Entry Point Functions Subsection” on page 19-29.

## Navigating Code Interface Report Subsections

To help you navigate code interface descriptions, the code interface report provides collapse/expand tokens and hyperlinks, as follows:

- For a large subsection, the report provides [ - ] and [ + ] symbols that allow you to collapse or expand that section. In the example in the previous section, the symbols are provided for the **Inports** and **Interface Parameters** sections.
- Several forms of hyperlink navigation are provided in the code interface report. For example:
  - The **Table of Contents** located at the top of the code interface report provides links to each subsection.
  - You can click each function name to go to its definition in *model.c*.
  - You can click each function's header file name to go to the header file source listing.
  - If you selected the **Report** pane option **Code-to-model** for your model, to go to the corresponding location in the model display, you can click hyperlinks for any of the following:
    - Function argument
    - Function return value
    - Inport
    - Outport
    - Interface parameter (if the parameter source is a block)
    - Data store (if the data store source is a **Data Store Memory** block)

For backward and forward navigation within the HTML code generation report, use the **Back** and **Forward** buttons above the **Contents** section in the upper-left corner of the report.

## Interpreting the Entry Point Functions Subsection

The **Entry Point Functions** subsection of the code interface report provides the following interface information about each model entry point function, including `model_initialize`, `model_step`, and (if applicable) `model_terminate`.

Field	Description
<b>Function:</b>	Lists the function name. You can click the function name to go to its definition in <code>model.c</code> .
<b>Prototype</b>	Displays the function prototype, including the function return value, name, and arguments.
<b>Description</b>	Provides a text description of the function's purpose in the application.
<b>Timing</b>	Describes the timing characteristics of the function, such as how many times the function is called, or if it is called periodically, and at what time interval. For a multirate timing example, see the following <code>rtwdemo_mrmtbb</code> report excerpt.
<b>Arguments</b>	If the function has arguments, displays the number, name, data type, and Simulink description for each argument. If you selected the <b>Report</b> pane option <b>Code-to-model</b> for your model, you can click the hyperlink in the description to go to the block corresponding to the argument in the model display. For argument examples, see the <code>rtwdemo_fcncnprotoctrl</code> report excerpt below.
<b>Return value</b>	If the function has a return value, this field displays the return value data type and Simulink description. If you selected the <b>Report</b> pane option <b>Code-to-model</b> for your model, you can click the hyperlink in the description to go to the block corresponding to the return value in the model display. For a return value example, see the following <code>rtwdemo_fcncnprotoctrl</code> report excerpt.
<b>Header file</b>	Lists the name of the header file for the function. You can click the header file name to go to the header file source listing.

For example, here is the **Entry Point Functions** subsection for the model `rtwdemo_basicsc`.

### Entry Point Functions

Function: [rtwdemo\\_basicsc\\_initialize](#)

Prototype	<code>void rtwdemo_basicsc_initialize(void)</code>
Description	Initialization entry point of generated code
Timing	Must be called exactly once
Arguments	None
Return value	None
Header file	<a href="#">rtwdemo_basicsc.h</a>

Function: [rtwdemo\\_basicsc\\_step](#)

Prototype	<code>void rtwdemo_basicsc_step(void)</code>
Description	Output entry point of generated code
Timing	Must be called periodically, every 1 second
Arguments	None
Return value	None
Header file	<a href="#">rtwdemo_basicsc.h</a>

To illustrate how timing information might be listed for a multirate model, here are the **Entry Point Functions** and **Inports** subsections for the model `rtwdemo_mrmtbb`. This multirate, discrete-time, multitasking model contains Inport blocks 1 and 2, which specify 1-second and 2-second sample times, respectively. The sample times are constrained to the specified times by the **Periodic sample time constraint** option on the **Solver** pane of the Configuration Parameters dialog box.

## Entry Point Functions

Function: [rtwdemo\\_mrmtbb\\_initialize](#)

Prototype	<b>void rtwdemo_mrmtbb_initialize(void)</b>
Description	Initialization entry point of generated code
Timing	Must be called exactly once
Arguments	None
Return value	None
Header file	<a href="#">rtwdemo_mrmtbb.h</a>

Function: [rtwdemo\\_mrmtbb\\_step0](#)

Prototype	<b>void rtwdemo_mrmtbb_step0(void)</b>
Description	Output entry point of generated code
Timing	Must be called periodically, every 1 second
Arguments	None
Return value	None
Header file	<a href="#">rtwdemo_mrmtbb.h</a>

Function: [rtwdemo\\_mrmtbb\\_step1](#)

Prototype	<b>void rtwdemo_mrmtbb_step1(void)</b>
Description	Output entry point of generated code
Timing	Must be called periodically, every 2 seconds
Arguments	None
Return value	None
Header file	<a href="#">rtwdemo_mrmtbb.h</a>

Function: [rtwdemo\\_mrmtbb\\_terminate](#)

Prototype	<b>void rtwdemo_mrmtbb_terminate(void)</b>
Description	Termination entry point of generated code
Timing	Must be called exactly once
Arguments	None
Return value	None
Header file	<a href="#">rtwdemo_mrmtbb.h</a>

## Inports

Block Name	Code Identifier	Data Type	Dimension
<a href="#">&lt;Root&gt;/In1_1s</a>	rtwdemo_mrmtbb_U.In1_1s	real_T	1
<a href="#">&lt;Root&gt;/In2_2s</a>	rtwdemo_mrmtbb_U.In2_2s	real_T	1

To illustrate how function arguments and return values are displayed in the report, here is the **Entry Point Functions** description of the model step function for the model `rtwdemo_fcnpctrl`.

Function: [rtwdemo\\_fcnpctrl\\_step\\_custom](#)

Prototype	<b>boolean_T</b> <code>rtwdemo_fcnpctrl_step_custom(const real_T argIn1, const BusObject *const argIn2, BusObject *argOut2, const BusObject *const argIn3, uint8_T *argIn4)</code>		
Description	Output entry point of generated code		
Timing	Can be called at any time		
Arguments	[-]		
	<b># Name</b>	<b>Data Type</b>	<b>Description</b>
	1 argIn1	const real_T	<a href="#">&lt;Root&gt;/In1</a>
	2 argIn2	const BusObject *const	<a href="#">&lt;Root&gt;/In2</a>
	3 argOut2	BusObject *	<a href="#">&lt;Root&gt;/Out2</a>
	4 argIn3	const BusObject *const	<a href="#">&lt;Root&gt;/In3</a>
	5 argIn4	uint8_T *	<a href="#">&lt;Root&gt;/In4</a>
Return value	<b>Data Type</b>	<b>Description</b>	
	<b>boolean_T</b>	<a href="#">&lt;Root&gt;/Out1</a>	
Header file	<a href="#">rtwdemo_fcnpctrl.h</a>		

## Interpreting the Inports and Outports Subsections

The **Inports** and **Outports** subsections of the code interface report provide the following interface information about each inport and output in the model.

Field	Description
<b>Block Name</b>	Displays the Simulink block name of the inport or output. If you selected the <b>Report</b> pane option <b>Code-to-model</b> for your model, you can click on each inport or output <b>Block Name</b> value to go to its location in the model display.
<b>Code Identifier</b>	Lists the identifier associated with the inport or output data in the generated code, as follows: <ul style="list-style-type: none"> <li>If the data is defined in the generated code, the field displays the identifier string.</li> </ul>

Field	Description
	<ul style="list-style-type: none"> <li>If the data is declared but not defined in the generated code — for example, if the data is resolved with an imported storage class — the field displays the identifier string prefixed with the label 'Imported data:'.</li> <li>If the data is neither defined nor declared in the generated code — for example, if <b>Reusable function</b> code interface packaging is selected for the model — the field displays the string 'Defined externally'.</li> </ul>
<b>Data Type</b>	Lists the data type of the inport or outport.
<b>Scaling</b>	<p>For fixed-point entries, lists the data type and fraction length using Simulink fixed-point data type notation.</p> <hr/> <p><b>Note:</b> You must have a Fixed-Point Designer license to see fixed-point scaling information in the report. For more information on how scaling is represented in the table, see “Fixed-Point Data Type and Scaling Notation”.</p>
<b>Dimension</b>	Lists the dimensions of the inport or outport (for example, 1 or [4, 5]).

For example, here are the **Inports** and **Outports** subsections for the model `rtwdemo_basicsc`.

### Inports

[ - ]

Block Name	Code Identifier	Data Type	Dimension
<a href="#">&lt;Root&gt;/In1</a>	input1	real32_T	1
<a href="#">&lt;Root&gt;/In2</a>	input2	real32_T	1
<a href="#">&lt;Root&gt;/In3</a>	input3	real32_T	1
<a href="#">&lt;Root&gt;/In4</a>	input4	real32_T	1

### Outports

Block Name	Code Identifier	Data Type	Dimension
<a href="#">&lt;Root&gt;/Out1</a>	output	real32_T	1

## Interpreting the Interface Parameters Subsection

The **Interface Parameters** subsection of the code interface report provides the following interface information about tunable parameters that are associated with the model.

Field	Description
<b>Parameter Source</b>	<p>Lists the source of the parameter value, as follows:</p> <ul style="list-style-type: none"> <li>• If the source of the parameter value is a block, the field displays the block name, such as &lt;Root&gt;/Gain2 or &lt;S1&gt;/Lookup1. If you selected the <b>Report</b> pane option <b>Code-to-model</b> for your model, you can click the <b>Parameter Source</b> value to go to the parameter's location in the model display.</li> <li>• If the source of the parameter value is a workspace variable, the field displays the name of the workspace variable.</li> </ul>
<b>Code Identifier</b>	<p>Lists the identifier associated with the tunable parameter data in the generated code, as follows:</p> <ul style="list-style-type: none"> <li>• If the data is defined in the generated code, the field displays the identifier string.</li> <li>• If the data is declared but not defined in the generated code — for example, if the data is resolved with an imported storage class — the field displays the identifier string prefixed with the label 'Imported data:'.</li> <li>• If the data is neither defined nor declared in the generated code — for example, if <b>Reusable function</b> code interface packaging is selected for the model — the field displays the string 'Defined externally'.</li> </ul>
<b>Data Type</b>	Lists the data type of the tunable parameter.
<b>Scaling</b>	<p>For fixed-point entries, lists the data type and fraction length using Simulink fixed-point data type notation.</p> <hr/> <p><b>Note:</b> You must have a Fixed-Point Designer license to see fixed-point scaling information in the report. For more information on how scaling is represented in the table, see “Fixed-Point Data Type and Scaling Notation”.</p>



Field	Description
<b>Dimension</b>	Lists the dimensions of the tunable parameter (for example, 1 or [4, 5, 6]).

For example, here is the **Interface Parameters** subsection for the model `rtwdemo_basicsc` (with the **ExportedGlobal Storage Class** button selected in the model window).

#### Interface Parameters

[ - ]

Parameter Source	Code Identifier	Data Type	Dimension
<b>K2</b>	K2	real_T	1
<b>LOWER</b>	LOWER	real32_T	1
<b>T1Break</b>	T1Break	real32_T	[1 11]
<b>T1Data</b>	T1Data	real32_T	[1 11]
<b>T2Break</b>	T2Break	real32_T	[1 3]
<b>T2Data</b>	T2Data	real32_T	[3 3]
<b>UPPER</b>	UPPER	real32_T	1
<b>K1</b>	K1	int8_T	1

## Interpreting the Data Stores Subsection

The **Data Stores** subsection of the code interface report provides the following interface information about global data stores and data stores with non-`auto` storage that are associated with the model.

Field	Description
<b>Data Store Source</b>	Lists the source of the data store memory, as follows: <ul style="list-style-type: none"> <li>If the data store is defined using a <b>Data Store Memory</b> block, the field displays the block name, such as <code>&lt;Root&gt;/DS1</code>. If you selected the <b>Report</b> pane option <b>Code-to-model</b> for your model, you can click on the <b>Data Store Source</b> value to go to the data store's location in the model display.</li> <li>If the data store is defined using a <code>Simulink.Signal</code> object, the field displays the name of the <code>Simulink.Signal</code> object.</li> </ul>
<b>Code Identifier</b>	Lists the identifier associated with the data store data in the generated code, as follows: <ul style="list-style-type: none"> <li>If the data is defined in the generated code, the field displays the identifier string.</li> </ul>

Field	Description
	<ul style="list-style-type: none"> <li>If the data is declared but not defined in the generated code — for example, if the data is resolved with an imported storage class — the field displays the identifier string prefixed with the label 'Imported data:'.</li> <li>If the data is neither defined nor declared in the generated code — for example, if <b>Reusable function</b> code interface packaging is selected for the model — the field displays the string 'Defined externally'.</li> </ul>
<b>Data Type</b>	Lists the data type of the data store.
<b>Scaling</b>	<p>For fixed-point entries, lists the data type and fraction length using Simulink fixed-point data type notation.</p> <hr/> <p><b>Note:</b> You must have a Fixed-Point Designer license to see fixed-point scaling information in the report. For more information on how scaling is represented in the table, see “Fixed-Point Data Type and Scaling Notation”.</p>
<b>Dimension</b>	Lists the dimensions of the data store (for example, 1 or [ 1, 2]).

For example, here is the **Data Stores** subsection for the model `rtwdemo_basicsc` (with the **ExportedGlobal Storage Class** button selected in the model window).

### Data Stores

Data Store Source	Code Identifier	Data Type	Dimension
<a href="#">&lt;Root&gt;/Data Store Memory</a>	mode	boolean_T	1

## Code Interface Report Limitations

The following limitations apply to the code interface section of the HTML code generation reports.

- The code interface report does not support the GRT interface with an ERT target or **C++ class** code interface packaging. For these configurations, the code interface report is not generated and does not appear in the HTML code generation report **Contents** pane.
- The code interface report supports data resolved with most custom storage classes (CSCs), except when the CSC properties are set in any of the following ways:

- The CSC property **Type** is set to **FlatStructure**. For example, the **BitField** and **Struct** CSCs in the Simulink package have **Type** set to **FlatStructure**.
- The CSC property **Type** is set to **Other**. For example, the **GetSet** CSC in the Simulink package has **Type** set to **Other**.
- The CSC property **Data access** is set to **Pointer**, indicating that imported symbols are declared as pointer variables rather than simple variables. This property is accessible only when the CSC property **Data scope** is set to **Imported** or **Instance-specific**.

In these cases, the report displays empty **Data Type** and **Dimension** fields.

- For outports, the code interface report cannot describe the associated memory (data type and dimensions) if the memory is optimized. In these cases, the report displays empty **Data Type** and **Dimension** fields.
- The code interface report does not support data type replacement using the **Code Generation > Data Type Replacement** pane of the Configuration Parameters dialog box. The data types listed in the report will link to built-in data types rather than their specified replacement data types.

## Static Code Metrics

In this section...
“About Static Code Metrics” on page 19-38
“Static Code Metrics Analysis” on page 19-38

### About Static Code Metrics

The code generator performs static analysis of the generated C code and provides these metrics in the **Static Code Metrics Report** section of the HTML Code Generation Report.

You can use the information in the report to:

- Find the number of files and lines of code in each file.
- Estimate the number of lines of code and stack usage per function.
- Compare the difference in terms of how many files, functions, variables, and lines of code are generated every time you change the model or MATLAB algorithm.
- Determine a target platform and allocation of RAM to the stack, based on the size of global variables plus the estimated stack size.
- Determine possible performance slow points, such as the largest global variables or the most costly call path in terms of stack usage.
- View the cyclomatic complexity of a function, which counts the number of linearly independent paths through a function.
- View the function call tree. Determine the longest call path to estimate the worst case execution timing.
- View how target functions, provided by the selected code replacement library, are used in the generated code.

For examples, see

- “Generate Static Code Metrics Report for Simulink Model” on page 19-41
- “Generate a Static Code Metrics Report for MATLAB Code” on page 19-47

### Static Code Metrics Analysis

Static analysis of the generated code is performed only on the source code without executing the program. The results of the static code metrics analysis are included in

the **Static Code Metrics** section of the HTML Code Generation Report. The static code metrics report does not support the C++ target language. The report is not available if you generate a MEX function from MATLAB code.

Static analysis of the generated source code files:

- Uses the specified C data types. For Simulink models, you specify these data types in the **Hardware Implementation > Production hardware** pane of the Configuration Parameters dialog box. For code generation from MATLAB code, you specify them in the **Hardware** tab of the MATLAB Coder project settings dialog box or using a code generation configuration object. Actual object code metrics might differ due to target-specific compiler and platform settings.
- Includes custom code only if you specify it. For Simulink models, you specify custom code on the **Code Generation > Custom Code** pane in the model configuration. For code generation from MATLAB code, you specify it on the **Debugging** tab of the MATLAB Coder project settings dialog box or using a code generation configuration object. An error report is generated if the generated code includes platform-specific files not contained in the standard C run-time library.
- For Simulink models, includes the generated code from referenced models.
- Uses 1-byte alignment for all members of a structure for estimating global and local data structure sizes. The size of a structure is calculated by summing the sizes of all of its fields. This estimation represents the smallest possible size for a structure.
- Calculates the self stack size of a function as the size of local data within a function, excluding input arguments. The accumulated stack size of a function is the self stack size plus the maximum of the accumulated stack sizes of its called functions. For example, if the accumulated stacks sizes for the called functions are represented as `accum_size1...accum_sizeN`, then the accumulated stack size for a function is
 
$$\text{accumulated\_stack\_size} = \text{self\_stack\_size} + \max(\text{accum\_size1}, \dots, \text{accum\_sizeN})$$
- When estimating the stack size of a function, static analysis stops at the first instance of a recursive call. The **Function Information** table indicates when recursion occurs in a function call path. Code generation generates only recursive code for Stateflow event broadcasting and for graphical functions if it is written as a recursive function.
- Calculates the cyclomatic complexity of a function as the number of decisions plus one:

$CC = \text{Number of decisions} + 1$

The following constructs add a decision:

- If statement

- Else-If statement
- Switch statement (1 decision for each `case` branch)
- Loop statements: While, For, Do-while

---

**Note:** Boolean operators in the above constructs do not add extra decisions.

---

- Does not include `ert_main.c`, because you have the option to provide your own `main.c`.

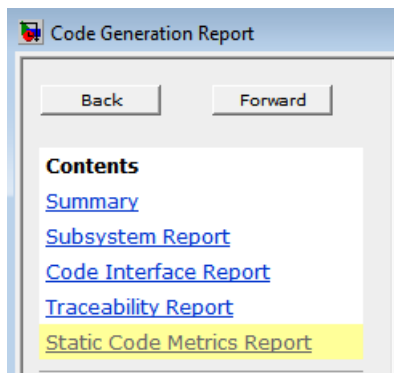
## Generate Static Code Metrics Report for Simulink Model

The **Static Code Metrics Report** is a section included in the HTML Code Generation Report. For more information on the static analysis of the generated code, see “Static Code Metrics Analysis” on page 19-38.

- 1 Before generating the HTML Code Generation Report, open the Configuration Parameters dialog box for your model. On the **Code Generation > Report** pane, select the “Static code metrics” check box.

If your model includes referenced models, select the **Static code metrics** check box in each referenced model’s configuration set. Otherwise, you cannot view a separate static code metrics report for a referenced model.

- 2 Press **Ctrl+B** to build your model and generate the HTML code generation report. For more information, see “Traceability in Code Generation Report” on page 19-18.
- 3 If the HTML Code Generation Report is not already open, open the report. On the left navigation pane, in the **Contents** section, select **Static Code Metrics Report**.



- 4 Hover your cursor over column titles and some column values to see a description of the corresponding data.

[ - ] File details

File Name	Lines of Code	Lines	Generated On
<a href="#">fuel_rate_control.c</a>	577	1,009	12/10/2013 3:14 PM
<a href="#">fuel_rate</a>	252	341	12/10/2013 3:14 PM
<a href="#">fuel_rate</a>	100	260	12/10/2013 3:14 PM
<a href="#">rtwtypes.h</a>	67	135	12/10/2013 3:14 PM

Files sorted in descending order by number of lines of code.

- 5 To see the generated files and how many lines of code are generated per file, look at the **File Information** section.

#### 1. File Information [\[hide\]](#)

[ - ] Summary (excludes ert\_main.c)

Number of .c files : 2  
 Number of .h files : 2  
 Lines of code : 996  
 Lines : 1,745

[ - ] File details

File Name	Lines of Code	Lines	Generated On
<a href="#">fuel_rate_control.c</a>	577	1,009	12/10/2013 3:14 PM
<a href="#">fuel_rate_control_data.c</a>	252	341	12/10/2013 3:14 PM
<a href="#">fuel_rate_control.h</a>	100	260	12/10/2013 3:14 PM
<a href="#">rtwtypes.h</a>	67	135	12/10/2013 3:14 PM

- 6 If your model includes referenced models, the File information section includes a **Referenced Model** column. In this column, click the referenced model name to open its static code metrics report. If the static code metrics report is not available for a referenced model, specify the **Static code metrics** parameter in the referenced model's configuration set and rebuild your model.
- 7 To view the global variables in the generated code, their size, and the number of accesses, see the **Global Variables** section.



## 2. Global Variables [\[hide\]](#)

Global variables defined in the generated code.

Global Variable	Size (bytes)	Reads / Writes	Reads / Writes in a Function
[+] <a href="#">rtDWork</a>	55	250	137
[+] <a href="#">rtU</a>	16	26	24
[+] <a href="#">rtM</a>	4	0*	0*
[+] <a href="#">rtY</a>	4	3	3
<b>Total</b>	<b>79</b>	<b>279</b>	

\* The global variable is not directly used in any function.

The **Reads/Writes** column displays the total number of read and write accesses to the global variable. The **Reads/Writes in a Function** column displays the maximum number of read and write accesses to the global variable within a function. You use this information to estimate the benefit of turning on optimizations, which reduce the number of global references. For more information, see “Optimize Global Variable Usage” on page 30-2.

Click [+] to expand structures.

Global variables defined in the generated code.

Global Variable	Size (bytes)	Reads / Writes	Reads / Writes in a Function
<a href="#">[-] rtDWork</a>	55	250	137
<a href="#">[+] es_o</a>	16	22	18
ThrottleEstimation	4	2	2
PressureEstimation	4	2	2
DiscreteIntegrator_DSTATE	4	4	4
ThrottleTransient_states	4	3	3
DiscreteFilter_states	4	3	3
DiscreteFilter_states_i	4	3	3
sfEvent	4	42	25
fuel_mode	4	14	8
<a href="#">[+] bitsForTIDO</a>	5	150	68
temporalCounter_i1	2	5	5
<a href="#">[-] rtU</a>	16	26	24
<a href="#">[+] sensors</a>	16	26	24
<a href="#">[-] rtM_</a>	4	0+	0+
errorStatus	4	0	0
<a href="#">[-] rtY</a>	4	3	3
fuel_rate	4	3	3
<b>Total</b>	<b>79</b>	<b>279</b>	

\* The global variable is not directly used in any function.

- 8 To navigate from the report to the source code, click a global variable or function name. These names are hyperlinks to their definitions.
- 9 To view the function call tree of the generated code, in the **Function Information** section, click **Call Tree** at the top of the table.

### 3. Function Information [\[hide\]](#)

View function metrics in a call tree format or table format. Accumulated stack numbers include the estimated stack size of the function plus the maximum of the accumulated stack size of the subroutines that the function calls.

View: [Call Tree](#) | [Table](#)

Function Name	Accumulated Stack Size (bytes)	Self Stack Size (bytes)	Lines of Code	Lines	Complexity
<a href="#">[-] fuel_rate_control_step</a>	60	20	257	492	47
<a href="#">look2_iff_linca</a>	40	40	57	102	12
<a href="#">[-] Fail</a>	4	4	67	102	18
<a href="#">Fueling_Mode</a>	0	0	132	209	25
<a href="#">Fueling_Mode</a>	0	0	132	209	25
<a href="#">fuel_rate_control_initialize</a>	0	0	9	24	1

ert\_main.c is not included in the code metrics analysis, therefore it is not shown in the call tree format. The **Complexity** column includes the cyclomatic complexity of each function.

- To view the functions in a table format, click **Table**.

### 3. Function Information [\[hide\]](#)

View function metrics in a call tree format or table format. Accumulated stack numbers include the estimated stack size of the function plus the maximum of the accumulated stack size of the subroutines that the function calls.

View: [Call Tree](#) | [Table](#)

Function Name	Called By (number of call sites)	Accumulated Stack Size (bytes)	Self Stack Size (bytes)	Lines of Code	Lines	Complexity
<a href="#">Fail</a>	<a href="#">fuel_rate_control_step</a> (9)	4	4	67	102	18
<a href="#">Fueling_Mode</a>	<a href="#">Fail</a> (2) <a href="#">fuel_rate_control_step</a>	0	0	132	209	25
<a href="#">fuel_rate_control_initialize</a>		0	0	9	24	1
<a href="#">fuel_rate_control_step</a>		60	20	257	492	47
<a href="#">look2_iff_linca</a>	<a href="#">fuel_rate_control_step</a> (5)	40	40	57	102	12

The second column, **Called By**, lists functions that call the function listed in the first column, using the following criteria:

- If a function is called by multiple functions, all functions are listed.
- If a function has no called function, this column is empty.

For example, `Fueling_Mode` is called by `Fail` and `fuel_rate_control_step`. The number of call sites is included in parentheses. `Fail` calls `Fueling_Mode` twice.

# Generate a Static Code Metrics Report for MATLAB Code

## Generate a Static Code Metrics Report Using the MATLAB Coder App

This example shows how to generate a static code metrics report for a static C library that is generated from MATLAB code using the MATLAB Coder app.

By default, if you have an Embedded Coder license, when you use MATLAB Coder to generate standalone C code, the code generation report includes a static code metrics report. The static code metrics report is not available for generated MEX functions.

### Create the Example Files

- 1 In a local, writable folder, create a MATLAB file, `moving_average.m`, that contains:

```
function [avg,z] = moving_average(x,z)
    %#codegen
    z(2:end) = z(1:end-1); % Update buffer
    z(1) = x; % Add new value
    avg = mean(z); % Compute moving average
end
```

- 2 In the same local, writable folder, create a test file, `moving_average_test.m`, that contains:

```
function moving_average_test( )
    z = zeros(10,1);
    for i = 1:10
        [avg, z] = moving_average(i,z);
    end
    disp(avg)
end
```

### Set Up the MATLAB Coder Project

- 1 To open the MATLAB Coder app and set up a project, at the command line, enter:

```
coder -new moving_average.prj
```

The app adds `moving_average` to the list of entry-point functions.

- 2 Click **Next** to go to the **Define Input Types** step.

### Define Input Types

- 1 To automatically define the input types, select or enter the test file `moving_average_test.m`. Click **Autodefine Input Types**.

The app determines that `x` is `double(1x1)` and `z` is `double(10x1)`.

- 2 Click **Next** to go to the **Check for Run-Time Issues** step.

The **Check for Run-Time Issues** step generates a MEX file from your entry-point functions, runs the MEX function, and reports issues. This step is optional. However, it is a best practice to perform this step. You can detect and fix run-time errors that are harder to diagnose in the generated C code.

### Check for Run-Time Issues

- 1 To open the **Check for Run-Time Issues** dialog box, click the **Check for Issues** arrow .


The app populates the test file field with `moving_average_test.m`, the test file that you used to define input types.

- 2 Click **Check for Issues**.

The app does not detect issues.

- 3 Click **Next** to go to the **Generate Code** step.

### Configure the Build Settings

- 1 On the **Generate Code** page, to open the **Generate** dialog box, click the **Generate** arrow .

- 2 Set **Build type** to `Static library`.

The default output file name is `moving_average`.

- 3 Click **More Settings**.
- 4 On the **Debugging** tab, verify that the **Static code metrics** check box is selected.
- 5 Click **Close**.

### Generate C Code

- 1 To generate the library, click **Generate**.

MATLAB Coder generates a C static library and supporting files in the default folder, `codegen/lib/moving_average`.

- 2 Click **Next** to go to the **Finish Workflow** step.

#### **View the Static Code Metrics Report**

- 1 To open the code generation report, under **Generated Output**, click **Code Generation Report**.
- 2 In the code generation report, click **Static Code Metrics Report**.
- 3 To see the generated files and the number of lines of code per file, click **File Information**.

Static Code Metrics Report

## Static Code Metrics Report

The static code metrics report provides statistics of the generated code. Metrics are estimated from static analysis of the generated code using the C data type specified in the **Hardware**: **char** 8, **short** 16, **int** 32, **long** 32, **float** 32, **double** 64, **pointer** 64 bits. Actual object code metrics might differ due to target specific compiler and platform settings.

### Table of Contents

1. File Information
2. Global Variables
3. Function Information

#### 1. File Information [\[hide\]](#)

[ - ] Summary

Number of .c files : 6  
 Number of .h files : 8  
 Lines of code : 410  
 Lines : 821

[ - ] File details

File Name	Lines of Code	Lines	Generated On
rtwtypes.h	95	162	12/21/2015 4:37 PM
rtGetInf.c	92	142	12/21/2015 4:37 PM
rtGetNaN.c	63	100	12/21/2015 4:37 PM
rt_nonfinite.c	43	101	12/21/2015 4:37 PM
rt_nonfinite.h	37	56	12/21/2015 4:37 PM
moving_average.c	18	48	12/21/2015 4:37 PM
rtGetInf.h	10	26	12/21/2015 4:37 PM
moving_average.h	9	28	12/21/2015 4:37 PM
moving_average_initialize.h	9	28	12/21/2015 4:37 PM
moving_average_terminate.h	9	28	12/21/2015 4:37 PM
rtGetNaN.h	8	24	12/21/2015 4:37 PM
moving_average_initialize.c	7	29	12/21/2015 4:37 PM
moving_average_terminate.c	6	29	12/21/2015 4:37 PM
moving_average_types.h	4	20	12/21/2015 4:37 PM

- 4 To see the global variables in the generated code, go to the **Global Variables** section.



**2. Global Variables** [\[hide\]](#)

Global variables defined in the generated code.

Global Variable	Size (bytes)	Reads / Writes	Reads / Writes in a Function
rtInf	8	2	1
rtMinusInf	8	2	1
rtNaN	8	1	1
rtInfF	4	2	1
rtMinusInfF	4	2	1
rtNaNF	4	1	1
<b>Total</b>	<b>36</b>	<b>10</b>	

To navigate from the report to the source code, click a global variable name.

- 5 To view the function call tree of the generated code, in the **Function Information** section, click **Call Tree**.

**3. Function Information** [\[hide\]](#)

View function metrics in a call tree format or table format. Accumulated stack numbers include the estimated stack size of the function plus the maximum of the accumulated stack size of the subroutines that the function calls.

View: [Call Tree](#) | [Table](#)

Function Name	Accumulated Stack Size (bytes)	Self Stack Size (bytes)	Lines of Code	Lines	Complexity
[+] <a href="#">moving_average</a>	92	92	13	23	2
[+] <a href="#">moving_average_initialize</a>	44	0	1	4	1
<a href="#">moving_average_terminate</a>	0	0	0	4	1
<a href="#">rtIsInf</a>	0	0	1	4	2
<a href="#">rtIsInfF</a>	0	0	1	4	2
<a href="#">rtIsNaN</a>	0	0	5	14	2
<a href="#">rtIsNaNF</a>	0	0	5	14	2

To navigate from the report to the function code, click a function name.

- 6 To view the functions in a table format, click **Table**.

**3. Function Information** [\[hide\]](#)

View function metrics in a call tree format or table format. Accumulated stack numbers include the estimated stack size of the function plus the maximum of the accumulated stack size of the subroutines that the function calls.

View: [Call Tree](#) | [Table](#)

Function Name	Called By (number of call sites)	Accumulated Stack Size (bytes)	Self Stack Size (bytes)	Lines of Code	Lines	Complexity
memcpy	moving_average	Not available	-	-	-	-
moving_average		92	92	13	23	2
moving_average_initialize		44	0	1	4	1
moving_average_terminate		0	0	0	4	1
rtGetInf	rt_InitInfAndNaN	38	34	36	43	5
rtGetInfF	rtGetInf rt_InitInfAndNaN	4	4	3	6	1
rtGetMinusInf	rt_InitInfAndNaN	38	34	36	43	5

The second column, **Called By**, lists functions that call the function listed in the first column. If multiple functions call the function, all functions are listed. If no functions call the function, this column is empty.

## Enable a Static Code Metrics Report at the Command Line

To enable a static code metrics report at the command line:

- 1 Create a code generation configuration object for standalone code generation. For example, to generate a static library, use:

```
cfg = coder.config('lib', 'ecoder', true);
```

- 2 Generate code, passing the configuration object as a parameter and specifying the `-report` option. For example:

```
codegen -config cfg -report foo
```

Alternatively, you can:

- 1 Create a code generation configuration object for standalone code generation. For example, to generate a static library:

```
cfg = coder.config('lib', 'ecoder', true);
```

- 2 Set the configuration object `GenerateReport` and `GenerateCodeMetricsReport` parameters to `true`.

```
cfg.GenerateReport = true;
```

```
cfg.GenerateCodeMetricsReport = true;
```

- 3** Generate code, passing the configuration object as a parameter. For example:

```
codegen -config cfg foo
```

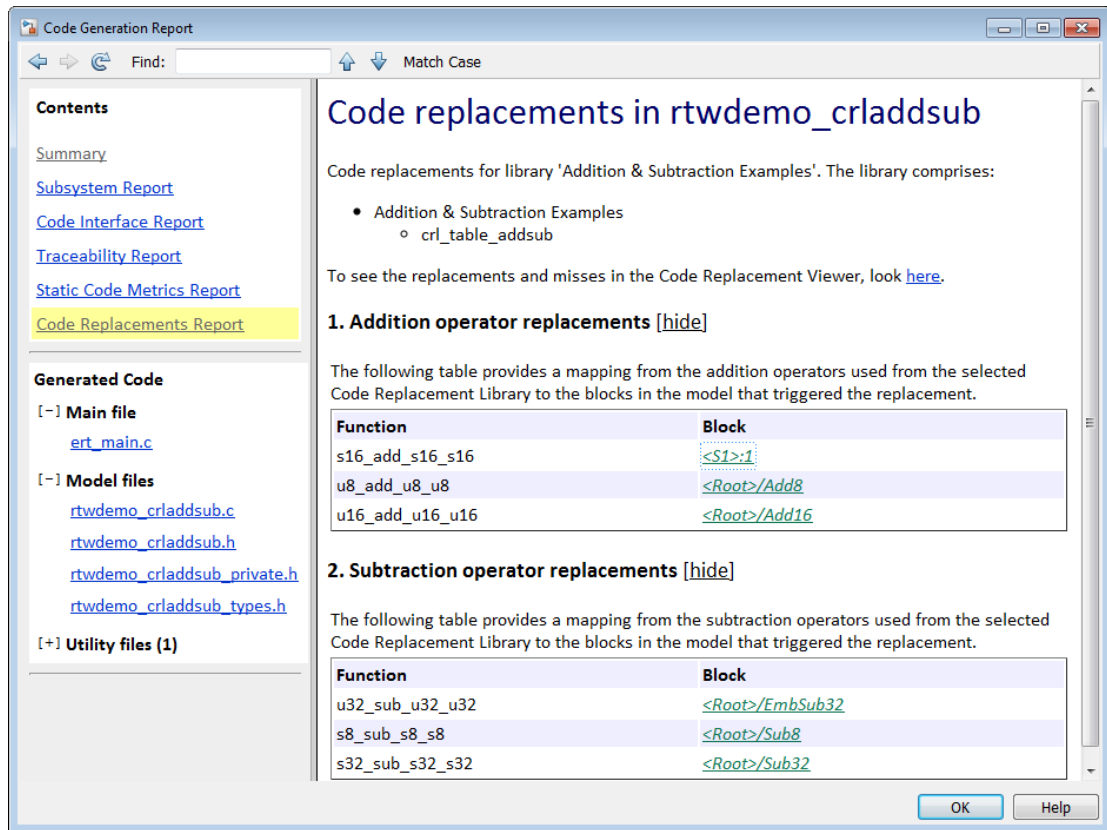
## Analyze Code Replacements in the Generated Code

When you select the **Code Generation > Report** check box **Summarize which blocks triggered code replacements** for an ERT-based model, a Code Replacements Report section is automatically included in the generated HTML report. The Code Replacements Report section documents the code replacement library (CRL) functions that were used for code replacements during code generation, providing a mapping between each replacement instance and the Simulink block that triggered the replacement. To enable display of the Simulink block information, select the **Code Generation > Comments** check box **Include comments**. On the same pane, select either the **Simulink block / Stateflow object comments** check box or the **Simulink block descriptions** check box if present, or both.

You can use the report to:

- Determine which replacement functions were used in the generated code.
- Trace each replacement instance back to the block that triggered the replacement.

The figure below shows a Code Replacements Report generated for the CRL model `rtwdemo_crladdsub`. Each replacement function used is listed with a link to the block that triggered the replacement.



If you click a block path in the report, the block that triggered the replacement is highlighted in the model diagram. If the replacement was triggered by a Stateflow chart or a MATLAB function, a window opens to display the chart or function.

For more information, see “Review Code Replacements” on page 24-83.

## Document Generated Code with Simulink Report Generator

In this section...
“Generate Code for the Model” on page 19-57
“Open the Report Generator” on page 19-57
“Set Report Name, Location, and Format” on page 19-59
“Include Models and Subsystems in a Report” on page 19-60
“Customize the Report” on page 19-61
“Generate the Report” on page 19-62

The Simulink Report Generator software creates documentation from your model in multiple formats, including HTML, PDF, RTF, Microsoft Word, and XML. This example shows one way to document a code generation project in Microsoft Word. The generated report includes:

- System snapshots (model and subsystem diagrams)
- Block execution order list
- Simulink Coder and model version information for generated code
- List of generated files
- Optimization configuration parameter settings
- Simulink Coder target selection and build process configuration parameter settings
- Subsystem map
- File name, path, and generated code listings for the source code

To adjust Simulink Report Generator settings to include custom code and then generate a report for a model, complete the following tasks:

- 1 “Generate Code for the Model” on page 19-57
- 2 “Open the Report Generator” on page 19-57
- 3 “Set Report Name, Location, and Format” on page 19-59
- 4 “Include Models and Subsystems in a Report” on page 19-60
- 5 “Customize the Report” on page 19-61
- 6 “Generate the Report” on page 19-62

A Simulink Report Generator license is required for the following report formats: PDF, RTF, Microsoft Word, and XML. For more information on generating reports in these formats, see the Simulink Report Generator documentation.

## Generate Code for the Model

Before you use the Report Generator to document your project, generate code for the model.

- 1 In the MATLAB Current Folder browser, navigate to a folder where you have write access.
- 2 Create a working folder from the MATLAB command line by typing:  

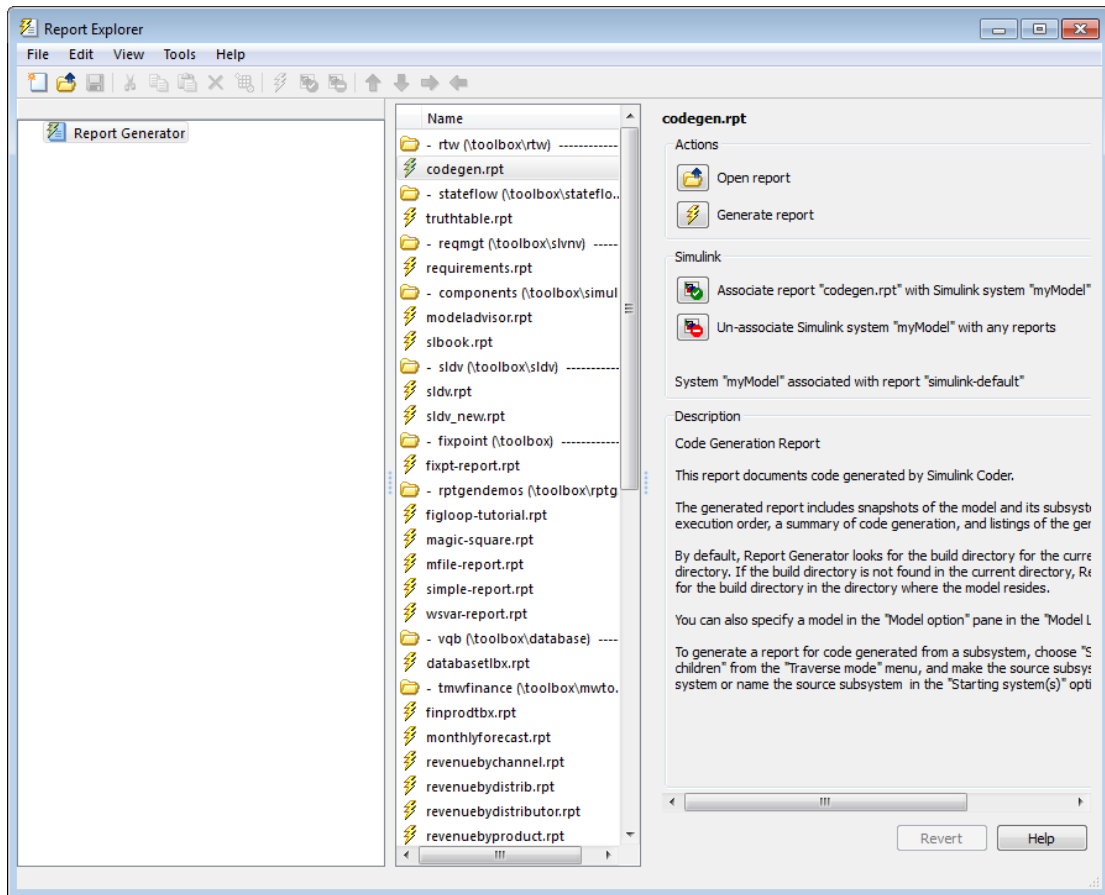
```
mkdir report_ex
```
- 3 Make `report_ex` your working folder:  

```
cd report_ex
```
- 4 Open the `slexAircraftExample` model by entering the model name on the MATLAB command line.
- 5 In the model window, choose **File > Save As**, navigate to the working folder, `report_ex`, and save a copy of the `slexAircraftExample` model as `myModel`.
- 6 Open the Configuration Parameters dialog box by selecting **Model Configuration Parameters** from the **Simulation** menu.
- 7 Select the **Solver** pane. In the **Solver options** section, specify the **Type** parameter as **Fixed-step**.
- 8 Select the **Code Generation** pane. Select **Generate code only**.
- 9 Click **Apply**.
- 10 In the model window, press **Ctrl+B**. The build process generates code for the model.


## Open the Report Generator

After you generate the code, open the Report Generator.

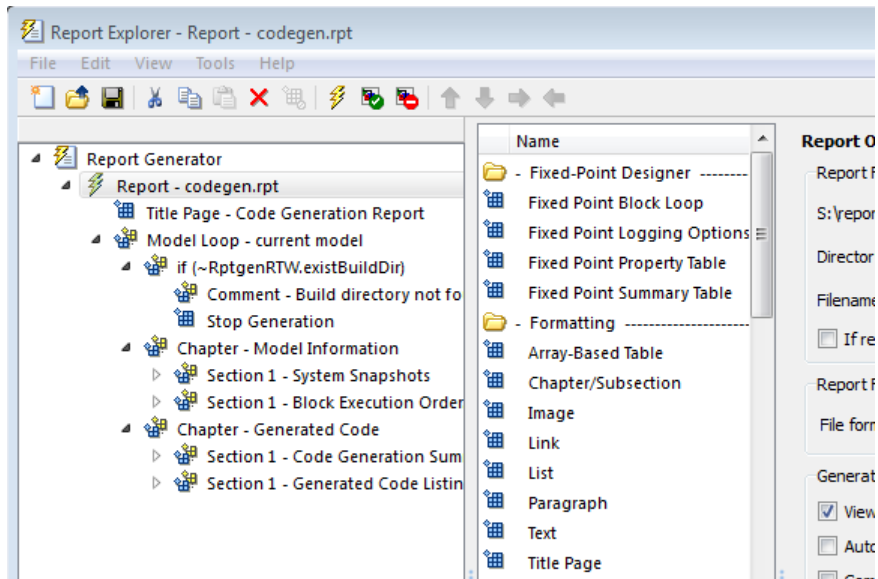
- 1 In the model diagram window, select **Tools > Report Generator**.
- 2 In the Report Explorer window, in the options pane (center), click the folder `rtw` (`\toolbox\rtw`). Click the setup file that it contains, `codegen.rpt`.



3

Double-click **codegen.rpt** or select it and click the **Open report** button . The Report Explorer displays the structure of the setup file in the outline pane (left).

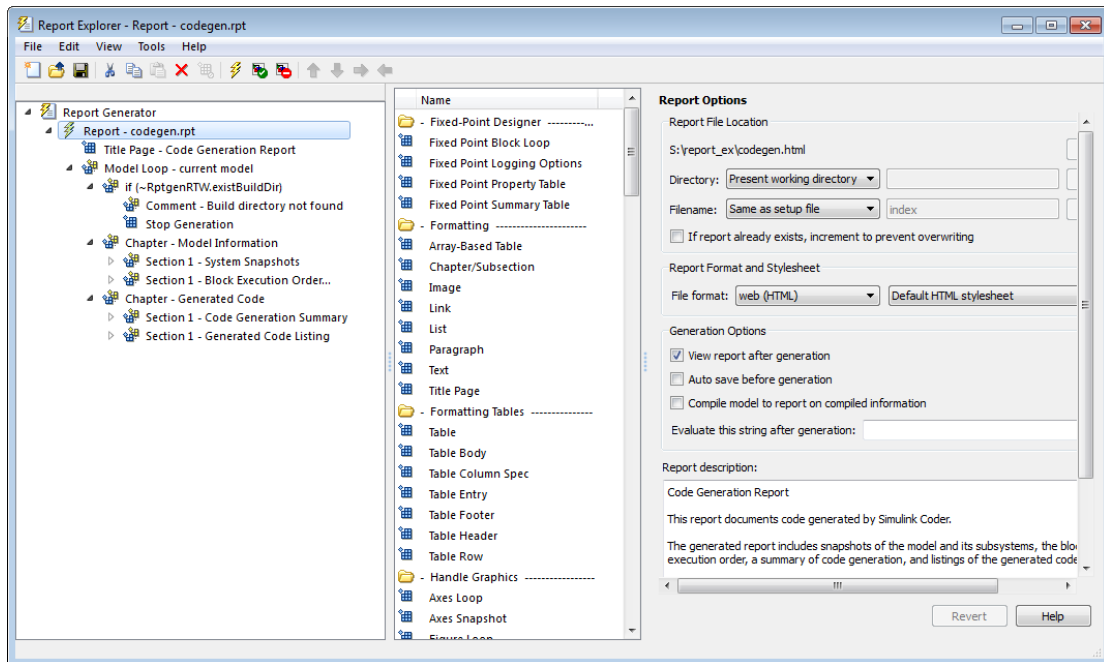




## Set Report Name, Location, and Format

Before generating a report, you can specify report output options, such as the folder, file name, and format. For example, to generate a Microsoft Word report named `MyCGModelReport.rtf`:

- 1 In the properties pane, under **Report Options**, review the options listed.

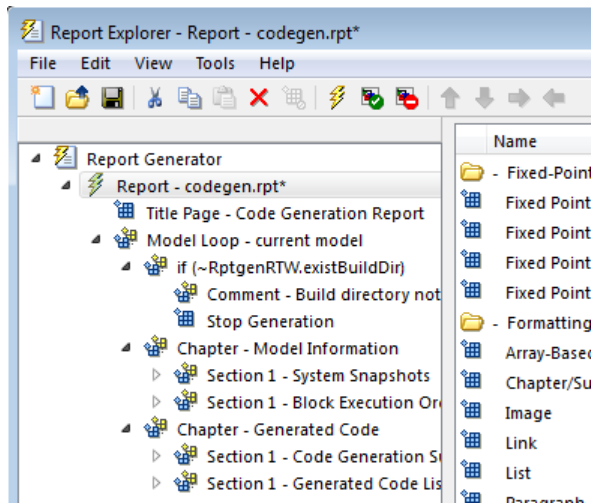


- 2 Leave the **Directory** field set to **Present working directory**.
- 3 For **Filename**, select **Custom:** and replace **index** with the name **MyModelICGreport**.
- 4 For **File format**, specify **Rich Text Format** and replace **Standard Print** with **Numbered Chapters & Sections**.

## Include Models and Subsystems in a Report

Specify the models and subsystems that you want to include in the generated report by setting options in the Model Loop component.

- 1 In the outline pane (left), select **Model Loop**. Report Generator displays Model Loop component options in the properties pane.
- 2 If not already selected, select **Current block diagram** for the **Model name** option.
- 3 In the outline pane, click **Report - codegen.rpt\***.



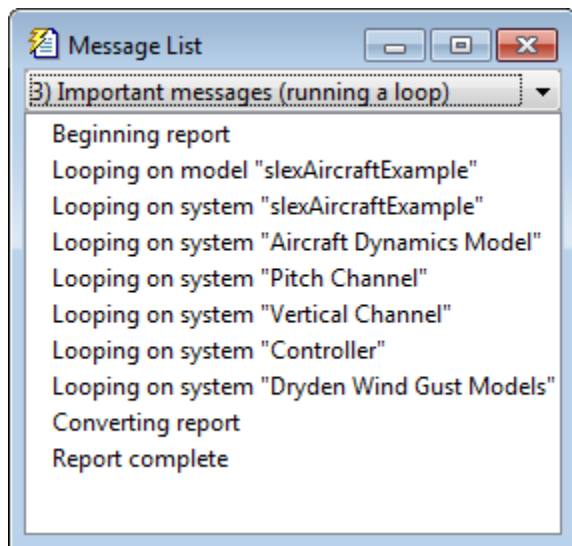
## Customize the Report

After specifying the models and subsystems to include in the report, you can customize the sections included in the report.

- 1 In the outline pane (left), expand the node **Chapter - Generated Code**. By default, the report includes two sections, each containing one of two report components.
- 2 Expand the node **Section 1 — Code Generation Summary**.
- 3 Select **Code Generation Summary**. Options for the component are displayed in the properties pane.
- 4 Click **Help** to review the report customizations that you can make with the Code Generation Summary component. For this example, do not customize the component.
- 5 In the Report Explorer window, expand the node **Section 1 — Generated Code Listing**.
- 6 Select **Import Generated Code**. Options for the component are displayed in the properties pane.
- 7 Click **Help** to review the report customizations that you can make with the Import Generated Code component.

## Generate the Report

After you adjust the report options, from the **Report Explorer** window, generate the report by clicking **File > Report**. A **Message List** dialog box opens, which displays messages that you can monitor as the report is generated. Model snapshots also appear during report generation. The **Message List** dialog box might be hidden behind other dialog boxes.



When the report is complete, open the report, `MyModelCGReport.rtf` in the folder `report_ex` (in this example).

For alternative ways of generating reports with the Simulink Report Generator, see "Generate Reports".

# Code Replacement for Simulink Models

---

- “What Is Code Replacement?” on page 20-2
- “Code You Can Replace From Simulink Models” on page 20-4
- “Code Replacement Libraries” on page 20-23
- “Code Replacement Terminology” on page 20-25
- “Code Replacement Limitations” on page 20-28
- “Replace Code Generated from Simulink Models” on page 20-29
- “Choose a Code Replacement Library” on page 20-32

## What Is Code Replacement?

Code replacement is a technique to change the code that the code generator produces for functions and operators to meet application code requirements. For example, you can replace generated code to meet requirements such as:

- Optimization for a specific run-time environment, including, but not limited to, specific target hardware.
- Integration with existing application code.
- Compliance with a standard, such as AUTOSAR.
- Modification of code behavior, such as enabling or disabling nonfinite or inline support.
- Application- or project-specific code requirements, such as:
  - Elimination of `math.h`.
  - Elimination of system header files.
  - Elimination of calls to `memcpy` or `memset`.
  - Use of BLAS.
  - Use of a specific BLAS.

To apply this technique, configure the code generator to apply a code replacement library (CRL) during code generation. By default, the code generator does not apply a code replacement library. You can choose from the following libraries that MathWorks provides:

- GNU C99 extensions—GNU<sup>®6</sup> gcc math library, which provides C99 extensions as defined by compiler option `-std=gnu99`.
- AUTOSAR 4.0—Produces code that more closely aligns with the AUTOSAR standard. Requires an Embedded Coder license.
- Intel IPP for x86-64 (Windows)—Generates calls to the Intel<sup>®</sup> Performance Primitives (IPP) library for the x86-64 Windows platform.
- Intel IPP/SSE for x86-64 (Windows)—Generates calls to the IPP and Streaming SIMD Extensions (SSE) libraries for the x86-64 Windows platform.
- Intel IPP for x86-64 (Windows using MinGW compiler)—Generates calls to the IPP library for the x86-64 Windows platform and MinGW compiler.

---

6. GNU is a registered trademark of the Free Software Foundation.

- Intel IPP/SSE for x86-64 (Windows using MinGW compiler)—Generates calls to the IPP and SSE libraries for the x86-64 Windows platform and MinGW compiler.
- Intel IPP for x86/Pentium (Windows)—Generates calls to the IPP library for the x86/Pentium Windows platform.
- Intel IPP/SSE for x86/Pentium (Windows)—Generates calls to the Intel Performance IPP and SSE libraries for the x86/Pentium Windows platform.
- Intel IPP for x86-64 (Linux)—Generates calls to the IPP library for the x86-64 Linux® platform.
- Intel IPP/SSE with GNU99 extensions for x86-64 (Linux)—Generates calls to the GNU libraries for IPP and SSE, with GNU C99 extensions, for the x86-64 Linux platform.

Libraries that include GNU99 extensions are intended for use with the GCC compiler. If use one of those libraries with another compiler, generated code might not compile.

Depending on the product licenses that you have, other libraries might be available. If you have an Embedded Coder license, you can view and choose from other libraries and you can create custom code replacement libraries.

## Related Examples

- “Replace Code Generated from Simulink Models” on page 20-29
- “Choose a Code Replacement Library” on page 20-32

## More About

- “Code You Can Replace From Simulink Models” on page 24-4
- “Code Replacement Libraries” on page 20-23
- “Code Replacement Terminology” on page 20-25
- “Code Replacement Limitations” on page 20-28

## Code You Can Replace From Simulink Models

### In this section...

“About Code You Can Replace” on page 20-4

“Math Functions – Simulink Support” on page 20-4

“Math Functions – Stateflow Support” on page 20-10

“Memory Functions” on page 20-15

“Nonfinite Functions” on page 20-16

“Mutex and Semaphore Functions” on page 20-17

“Lookup Table Functions” on page 20-18

“Operators” on page 20-18

### About Code You Can Replace

Code that the code generator replaces depends on the code replacement library (CRL) that you use. By default, the code generator does not apply a code replacement library. Your choice of libraries is dependent on product licensing and whether you have access to custom libraries.

For information on how to explore functions and operators that a code replacement library supports, see “Choose a Code Replacement Library” on page 20-32. If you have an Embedded Coder license and want to develop a custom code replacement library, see “Code Replacement Customization”.

### Math Functions – Simulink Support

When generating C/C++ code from a Simulink model, depending on code replacement libraries available in your development environment, you can configure the code generator to replace instances of the following math functions with application-specific implementations.

Function	Data Type Support	Scalar, Vector, Matrix Support	Real, Complex Support
abs <sup>1</sup>	Integer Floating point Fixed point	Scalar Vector Matrix	Real



Function	Data Type Support	Scalar, Vector, Matrix Support	Real, Complex Support
acos	Floating point	Scalar	Real Complex input/complex output Real input/complex output
acosd <sup>2</sup>	Floating point	Scalar Vector Matrix	Real Complex
acosh	Floating point	Scalar Vector Matrix	Real Complex input/complex output Real input/complex output
acot <sup>2</sup>	Floating point	Scalar Vector Matrix	Real Complex
acotd <sup>2</sup>	Floating point	Scalar Vector Matrix	Real Complex
acoth <sup>2</sup>	Floating point	Scalar Vector Matrix	Real Complex
acsc <sup>2</sup>	Floating point	Scalar Vector Matrix	Real Complex
acscd <sup>2</sup>	Floating point	Scalar Vector Matrix	Real Complex
acsch <sup>2</sup>	Floating point	Scalar Vector Matrix	Real Complex
asec <sup>2</sup>	Floating point	Scalar Vector Matrix	Real Complex
asecd <sup>2</sup>	Floating point	Scalar Vector Matrix	Real Complex

Function	Data Type Support	Scalar, Vector, Matrix Support	Real, Complex Support
asech <sup>2</sup>	Floating point	Scalar Vector Matrix	Real Complex
asin	Floating point	Scalar	Real Complex input/complex output Real input/complex output
asind <sup>2</sup>	Floating point	Scalar Vector Matrix	Real Complex
asinh	Floating point	Scalar Vector Matrix	Real Complex input/complex output Real input/complex output
atan	Floating point	Scalar Vector Matrix	Real Complex input/complex output Real input/complex output
atan2	Floating point	Scalar Vector Matrix	Real
atan2d <sup>2</sup>	Floating point	Scalar Vector Matrix	Real
atand <sup>2</sup>	Floating point	Scalar Vector Matrix	Real Complex
atanh	Floating point	Scalar Vector Matrix	Real Complex input/complex output Real input/complex output
ceil	<ul style="list-style-type: none"> <li>• Floating-point</li> <li>• Scalar</li> </ul>	<ul style="list-style-type: none"> <li>• Floating-point</li> <li>• Scalar</li> </ul>	<ul style="list-style-type: none"> <li>• Floating-point</li> <li>• Scalar</li> </ul>
cos <sup>3</sup>	Floating point	Scalar Vector Matrix	Real Complex input/complex output Real input/complex output

Function	Data Type Support	Scalar, Vector, Matrix Support	Real, Complex Support
$\cosd^2$	Floating point	Scalar Vector Matrix	Real Complex
cosh	Floating point	Scalar Vector Matrix	Real Complex input/complex output Real input/complex output
$\cot^2$	Floating point	Scalar Vector Matrix	Real Complex
$\cotd^2$	Floating point	Scalar Vector Matrix	Real Complex
$\coth^2$	Floating point	Scalar Vector Matrix	Real Complex
$\csc^2$	Floating point	Scalar Vector Matrix	Real Complex
$\cscd^2$	Floating point	Scalar Vector Matrix	Real Complex
$\csch^2$	Floating point	Scalar Vector Matrix	Real Complex
exactrSqrt	Integer Floating point	Scalar	Real
exp	Floating point	Scalar Vector Matrix	Real
fix	Floating point	Scalar	Real
floor	<ul style="list-style-type: none"> <li>• Floating-point</li> <li>• Scalar</li> </ul>	<ul style="list-style-type: none"> <li>• Floating-point</li> <li>• Scalar</li> </ul>	<ul style="list-style-type: none"> <li>• Floating-point</li> <li>• Scalar</li> </ul>

Function	Data Type Support	Scalar, Vector, Matrix Support	Real, Complex Support
fmod <sup>4</sup>	Floating point	Scalar	Real
frexp	Floating point	Scalar	Real
hypot	Floating point	Scalar Vector Matrix	Real
ldexp	Floating point	Scalar	Real
ln	Floating point	Scalar	Real
log	Floating point	Scalar Vector Matrix	Real
log10	Floating point	Scalar Vector Matrix	Real
log2 <sup>2</sup>	Floating point	Scalar Vector Matrix	Real Complex
max	Integer Floating point Fixed point	Scalar	Real
min	Integer Floating point Fixed point	Scalar	Real
mod	Integer Floating point	Scalar Vector Matrix	Real
pow	Floating point	Scalar Vector Matrix	Real
rem	Floating point	Scalar Vector Matrix	Real
round	Floating point	Scalar	Real

Function	Data Type Support	Scalar, Vector, Matrix Support	Real, Complex Support
rSqrt	Integer Floating point	Scalar Vector Matrix	Real
saturate	Integer Floating point Fixed point	Scalar Vector Matrix	Real
sec <sup>2</sup>	Floating point	Scalar Vector Matrix	Real Complex
secd <sup>2</sup>	Floating point	Scalar Vector Matrix	Real Complex
sech <sup>2</sup>	Floating point	Scalar Vector Matrix	Real Complex
sign	Integer Floating point Fixed point	Scalar Vector Matrix	Real
signPow	Floating point	Scalar Vector Matrix	Real
sin <sup>3</sup>	Floating point	Scalar Vector Matrix	Real Complex input/complex output Real input/complex output
sincos <sup>3</sup>	Floating point	Scalar Vector Matrix	Real Complex input/complex output Real input/complex output
sind <sup>2</sup>	Floating point	Scalar Vector Matrix	Real Complex
sinh	Floating point	Scalar Vector Matrix	Real Complex input/complex output Real input/complex output

Function	Data Type Support	Scalar, Vector, Matrix Support	Real, Complex Support
sqrt	Integer Floating point Fixed point	Scalar Vector Matrix	Real
tan	Floating point	Scalar Vector Matrix	Real Complex input/complex output Real input/complex output
tand <sup>2</sup>	Floating point	Scalar Vector Matrix	Real Complex
tanh	Floating point	Scalar Vector Matrix	Real Complex input/complex output Real input/complex output
<p><sup>1</sup> Wrap on integer overflow only. Clear block parameter <b>Saturate on integer overflow</b>.</p> <p><sup>2</sup> Only when used with the MATLAB Function block.</p> <p><sup>3</sup> Supports the CORDIC approximation method.</p> <p><sup>4</sup> Stateflow support only.</p>			

## Math Functions – Stateflow Support

When generating C/C++ code from Stateflow charts, depending on code replacement libraries available in your development environment, you can configure the code generator to replace instances of the following math functions with application-specific implementations.

Function	Data Type Support	Scalar, Vector, Matrix Support	Real, Complex Support
abs <sup>1</sup>	Integer Floating point	Scalar	Real
acos <sup>2</sup>	Floating point	Scalar Vector Matrix	Real Complex Complex input/complex output

Function	Data Type Support	Scalar, Vector, Matrix Support	Real, Complex Support
			Real input/complex output
$\text{acosd}^3$	Floating point	Scalar Vector Matrix	Real Complex
$\text{acot}^3$	Floating point	Scalar Vector Matrix	Real Complex
$\text{acotd}^3$	Floating point	Scalar Vector Matrix	Real Complex
$\text{acoth}^{3,5}$	Floating point	Scalar Vector Matrix	Real Complex
$\text{acsc}^3$	Floating point	Scalar Vector Matrix	Real Complex
$\text{acscd}^3$	Floating point	Scalar Vector Matrix	Real Complex
$\text{acsch}^3$	Floating point	Scalar Vector Matrix	Real Complex
$\text{asec}^3$	Floating point	Scalar Vector Matrix	Real Complex
$\text{asecd}^3$	Floating point	Scalar Vector Matrix	Real Complex
$\text{asech}^3$	Floating point	Scalar Vector Matrix	Real Complex

Function	Data Type Support	Scalar, Vector, Matrix Support	Real, Complex Support
asin <sup>2</sup>	Floating point	Scalar Vector Matrix	Real Complex Complex input/complex output Real input/complex output
asind <sup>3</sup>	Floating point	Scalar Vector Matrix	Real Complex
atan <sup>2</sup>	Floating point	Scalar Vector Matrix	Real Complex Complex input/complex output Real input/complex output
atan2 <sup>2</sup>	Floating point	Scalar Vector Matrix	Real
atan2d <sup>3</sup>	Floating point	Scalar Vector Matrix	Real
atand <sup>3</sup>	Floating point	Scalar Vector Matrix	Real Complex
ceil	<ul style="list-style-type: none"> <li>• Floating-point</li> <li>• Scalar</li> </ul>	<ul style="list-style-type: none"> <li>• Floating-point</li> <li>• Scalar</li> </ul>	<ul style="list-style-type: none"> <li>• Floating-point</li> <li>• Scalar</li> </ul>
cos <sup>3</sup>	Floating point	Scalar Vector Matrix	Real Complex Complex input/complex output Real input/complex output
cosd <sup>3</sup>	Floating point	Scalar Vector Matrix	Real Complex



Function	Data Type Support	Scalar, Vector, Matrix Support	Real, Complex Support
$\cosh^2$	Floating point	Scalar Vector Matrix	Real Complex Complex input/complex output Real input/complex output
$\cot^3$	Floating point	Scalar Vector Matrix	Real Complex
$\cotd^3$	Floating point	Scalar Vector Matrix	Real Complex
$\coth^3$	Floating point	Scalar Vector Matrix	Real Complex
$\csc^3$	Floating point	Scalar Vector Matrix	Real Complex
$\cscd^3$	Floating point	Scalar Vector Matrix	Real Complex
$\csch^3$	Floating point	Scalar Vector Matrix	Real Complex
$\exp$	Floating point	Scalar	Real
$\text{floor}$	<ul style="list-style-type: none"> <li>• Floating-point</li> <li>• Scalar</li> </ul>	<ul style="list-style-type: none"> <li>• Floating-point</li> <li>• Scalar</li> </ul>	<ul style="list-style-type: none"> <li>• Floating-point</li> <li>• Scalar</li> </ul>
$\text{fmod}$	Floating point	Scalar	Real
$\text{hypot}^3$	Floating point	Scalar Vector Matrix	Real
$\text{ldexp}$	Floating point	Scalar	Real

Function	Data Type Support	Scalar, Vector, Matrix Support	Real, Complex Support
$\log^2$	Floating point	Scalar Vector Matrix	Real Complex
$\log_{10}^2$	Floating point	Scalar Vector Matrix	Real Complex
$\log_2^3$	Floating point	Scalar Vector Matrix	Real Complex
max	Integer Floating point	Scalar	Real
min	Integer Floating point	Scalar	Real
pow	Floating point	Scalar	Real
$\sec^3$	Floating point	Scalar Vector Matrix	Real Complex
$\secd^3$	Floating point	Scalar Vector Matrix	Real Complex
$\sech^3$	Floating point	Scalar Vector Matrix	Real Complex
$\sin^2$	Floating point	Scalar Vector Matrix	Real Complex Complex input/complex output Real input/complex output
$\sind^3$	Floating point	Scalar Vector Matrix	Real Complex

Function	Data Type Support	Scalar, Vector, Matrix Support	Real, Complex Support
$\sinh^2$	Floating point	Scalar Vector Matrix	Real Complex Complex input/complex output Real input/complex output
$\sqrt{\phantom{x}}$	Floating point	Scalar	Real
$\tan^2$	Floating point	Scalar Vector Matrix	Real Complex Complex input/complex output Real input/complex output
$\tanh^3$	Floating point	Scalar Vector Matrix	Real Complex
$\tanh^2$	Floating point	Scalar Vector Matrix	Real Complex Complex input/complex output Real input/complex output
<p><sup>1</sup> Wrap on integer overflow only.</p> <p><sup>2</sup> For models involving vectors or matrices, the code generator replaces only functions coded in the MATLAB action language.</p> <p><sup>3</sup> The code generator replaces only functions coded in the MATLAB action language.</p>			

## Memory Functions

Depending on code replacement libraries available in your development environment, you can configure the code generator to replace instances of the following memory functions with application-specific implementations.

Function	Data Type Support	Scalar, Vector, Matrix Support	Real, Complex Support
<code>memcmp</code>	Void pointer ( <code>void*</code> )	Scalar	Real

Function	Data Type Support	Scalar, Vector, Matrix Support	Real, Complex Support
		Vector Matrix	Complex
memcpy	Void pointer (void*)	Scalar Vector Matrix	Real Complex
memset	Void pointer (void*)	Scalar Vector Matrix	Real Complex
memset2zero	Void pointer (void*)	Scalar Vector Matrix	Real Complex

Some target processors provide optimized functions to set memory to zero. Use the code replacement library programming interface to replace the `memset2zero` function with more efficient target-specific functions.

## Nonfinite Functions

Depending on code replacement libraries available in your development environment, you can configure the code generator to replace instances of the following nonfinite functions with application-specific implementations.

Function	Data Type Support	Scalar, Vector, Matrix Support	Real, Complex Support
getInf	Floating point	Scalar	Real
getMinusInf	Floating point	Scalar	Real
getNaN	Floating point	Scalar	Real
rtIsInf	Floating point	Scalar	Real Complex
rtIsNaN	Floating point	Scalar	Real Complex

## Mutex and Semaphore Functions

Mutex and semaphore functions control access to resources shared by multiple processes in multicore target environments. MathWorks provides code replacement libraries that support mutex and semaphore replacement for **Rate Transition** and **Task Transition** blocks on Windows, Linux, Mac, and VxWorks platforms.

Generated mutex and semaphore code typically consists of:

- In model initialization code, an initialization function call to create a mutex or semaphore to control entry to a critical section of code.
- In model step code:
  - Before code for a data transfer between tasks enters the critical section, mutex lock or semaphore wait function calls to reserve a critical section of code.
  - After code for a data transfer between tasks finishes executing the critical section, mutex unlock or semaphore post function calls to release the critical section of code.
- In model termination code, an optional destroy function call to explicitly delete the mutex or semaphore.

Depending on code replacement libraries available in your development environment, you can configure the code generator to replace instances of the following mutex and semaphore functions with application-specific implementations.

In the following table, key is a string that identifies the function.

Function	Key
Mutex Destroy	RTW_MUTEX_DESTROY
Mutex Init	RTW_MUTEX_INIT
Mutex Lock	RTW_MUTEX_LOCK
Mutex Unlock	RTW_MUTEX_UNLOCK
Semaphore Destroy	RTW_SEM_DESTROY
Semaphore Init	RTW_SEM_INIT
Semaphore Post	RTW_SEM_POST
Semaphore Wait	RTW_SEM_WAIT

## Lookup Table Functions

Depending on available code replacement libraries, you can configure the code generator to replace instances of the following lookup table functions with application-specific implementations. Support for these functions includes:

- Integer, floating-point, and fixed-point data types
- Scalar, vector, and matrix data formats
- Real and complex data

interp1D	interpND	lookup5D
interp2D	lookup1D	lookupND
interp3D	lookup2D	lookupND_Direct
interp4D	lookup3D	prelookup
interp5D	lookup4D	

## Operators

When generating C/C++ code from a Simulink model, depending on code replacement libraries available in your development environment, you can configure the code generator to replace instances of the following operators with application-specific implementations.

In the following table:

- Key is a string that identifies the operator.
- Mixed data type support indicates that you can specify different data types for different inputs.

Operator	Key	Data Type Support	Scalar, Vector, Matrix Support	Real, Complex Support
Addition (+)	RTW_OP_ADD	Integer Floating point Fixed-point Mixed	Scalar Vector Matrix	Real Complex
Subtraction (-)	RTW_OP_MINUS	Integer	Scalar	Real

Operator	Key	Data Type Support	Scalar, Vector, Matrix Support	Real, Complex Support
		Floating point Fixed-point Mixed	Vector Matrix	Complex
Multiplication (*) <sup>1</sup>	RTW_OP_MUL	Integer Floating point Fixed-point Mixed	Scalar Vector Matrix	Real Complex
Division (/)	RTW_OP_DIV	Integer Floating point Fixed-point Mixed	Scalar	Real Complex
Data type conversion (cast)	RTW_OP_CAST	Integer Floating point <sup>2</sup> Fixed-point Mixed	Scalar Vector Matrix	Real Complex
Shift left (<<)	RTW_OP_SL	Integer Fixed-point Mixed	Scalar Vector Matrix	Real
Shift right arithmetic (>>) <sup>3</sup>	RTW_OP_SRA	Integer Fixed-point Mixed	Scalar Vector Matrix	Real
Shift right logical (>>)	RTW_OP_SRL	Integer Fixed-point Mixed	Scalar Vector Matrix	Real
Element-wise matrix multiplication (. *) <sup>4</sup>	RTW_OP_ELEM_MUL	Integer Floating point Fixed-point Mixed	Vector Matrix	Real Complex
Matrix right division (/)	RTW_OP_RDIV	Integer Floating point Fixed-point Mixed	Vector Matrix	Real Complex

<b>Operator</b>	<b>Key</b>	<b>Data Type Support</b>	<b>Scalar, Vector, Matrix Support</b>	<b>Real, Complex Support</b>
Matrix left division (\)	RTW_OP_LDIV	Integer Floating point Fixed-point Mixed	Vector Matrix	Real Complex
Matrix inversion (inv)	RTW_OP_INV	Integer Floating point Fixed-point Mixed	Vector Matrix	Real Complex
Complex conjugation	RTW_OP_CONJUGATE	Integer Floating point Fixed-point Mixed	Scalar Vector Matrix	Real Complex
Transposition (.')	RTW_OP_TRANS	Integer Floating point Fixed-point Mixed	Vector Matrix	Real Complex
Hermitian (complex conjugate) transposition (')	RTW_OP_HERMITIAN	Integer Floating point Fixed-point Mixed	Vector Matrix	Real Complex
Multiplication with transposition <sup>1</sup>	RTW_OP_TRMUL	Integer Floating point Fixed-point Mixed	Vector Matrix	Real Complex
Multiplication with Hermitian transposition <sup>1</sup>	RTW_OP_HMMUL	Integer Floating point Fixed-point Mixed	Vector Matrix	Real Complex
Greater than (>)	RTW_OP_GREATER_THAN	Integer Floating point Fixed-point Mixed	Scalar Vector Matrix	Real Complex



Operator	Key	Data Type Support	Scalar, Vector, Matrix Support	Real, Complex Support
Greater than or equal ( $\geq$ )	RTW_OP_GREATER_THAN_OR_EQUAL	Integer Floating point Fixed-point Mixed	Scalar Vector Matrix	Real Complex
Less than ( $<$ )	RTW_OP_LESS_THAN	Integer Floating point Fixed-point Mixed	Scalar Vector Matrix	Real Complex
Less than or equal ( $\leq$ )	RTW_OP_LESS_THAN_OR_EQUAL	Integer Floating point Fixed-point Mixed	Scalar Vector Matrix	Real Complex
Equal ( $=$ )	RTW_OP_EQUAL	Integer Floating point Fixed-point Mixed	Scalar Vector Matrix	Real Complex
Not equal ( $\neq$ )	RTW_OP_NOT_EQUAL	Integer Floating point Fixed-point Mixed	Scalar Vector Matrix	Real Complex

<sup>1</sup> Can map to Basic Linear Algebra Subroutine (BLAS) multiplication functions.

<sup>2</sup> Scaled floating point is not supported.

<sup>3</sup> Code replacement libraries that provide arithmetic shift right implementations should also provide logical shift right implementations, because some arithmetic shift rights are converted to logical shift rights during code generation.

<sup>4</sup> Use the multiplication ( $*$ ) operator (RTW\_OP\_MUL) for scalar multiplication.

## Related Examples

- “Choose a Code Replacement Library” on page 20-32

## **More About**

- “What Is Code Replacement?” on page 20-2
- “Code Replacement Limitations” on page 20-28
- “Code Replacement Terminology” on page 20-25
- “Code Replacement Libraries” on page 20-23

## Code Replacement Libraries

A *code replacement library* consists of one or more code replacement tables that specify application-specific implementations of functions and operators. For example, a library for a specific embedded processor specifies function and operator replacements that optimize generated code for that processor.

A *code replacement table* contains one or more *code replacement entries*, with each entry representing a potential replacement for a function or operator. Each entry maps a *conceptual representation* of a function or operator to an *implementation representation* and priority.

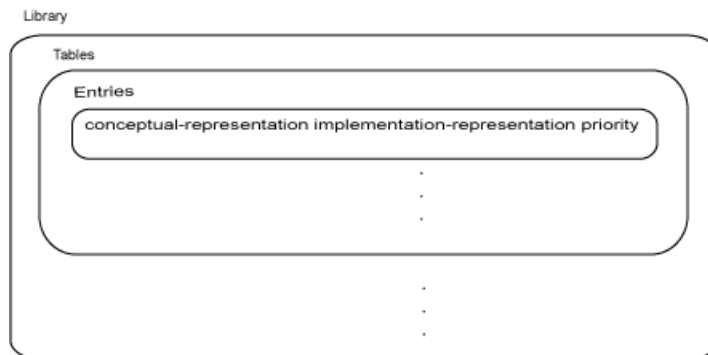


Table Entry Component	Description
Conceptual representation	<p>Identifies the table entry and contains match criteria for the code generator. Consists of:</p> <ul style="list-style-type: none"> <li>• Function name or a key. The function name identifies most functions. For operators and some functions, a string called a key identifies a function or operator. For example, function name 'COS' and operator key 'RTW_OP_ADD'.</li> <li>• Conceptual arguments that observe code generator naming ('y1', 'u1', 'u2', ...), with corresponding I/O types (output or input) and data types.</li> <li>• Other attributes, such as an algorithm, fixed-point saturation, and rounding modes, which identify matching criteria for the function or operator.</li> </ul>

Table Entry Component	Description
Implementation representation	Specifies replacement code. Consists of: <ul style="list-style-type: none"> <li>• Function name. For example, 'cos_db1' or 'u8_add_u8_u8'.</li> <li>• Implementation arguments, with corresponding I/O types (output or input) and data types.</li> <li>• Parameters that provide additional implementation details, such as header and source file names and paths of build resources.</li> </ul>
Priority	Defines the entry priority relative to other entries in the table. The value can range from 0 to 100, with 0 being the highest priority. If multiple entries have the same priority, the code generator uses the first match with that priority.

When the code generator looks for a match in a code replacement library, it creates and populates a *call site object* with the function or operator conceptual representation. If a match exists, the code generator uses the matched code replacement entry populated with the implementation representation and uses it to generate code.

The code generator searches the tables in a code replacement library for a match in the order that the tables appear in the library. If the code generator finds multiple matches within a table, the priority determines the match. The code generator uses a higher-priority entry over a similar entry with a lower priority.

## Related Examples

- “Replace Code Generated from Simulink Models” on page 20-29
- “Choose a Code Replacement Library” on page 20-32

## More About

- “What Is Code Replacement?” on page 20-2
- “Code You Can Replace From Simulink Models” on page 24-4
- “Code Replacement Terminology” on page 20-25

## Code Replacement Terminology

Term	Definition
Cache hit	A code replacement entry for a function or operator, defined in the specified code replacement library, for which the code generator finds a match.
Cache miss	A conceptual representation of a function or operator for which the code generator does not find a match.
Call site object	Conceptual representation of a function or operator that the code generator uses when it encounters a call site for a function or operator. The code generator uses the object to query the code replacement library for a conceptual representation match. If a match exists, the code generator returns a code replacement object, fully populated with the conceptual representation, implementation representation, and priority, and uses that object to generate replacement code.
Code replacement library	One or more code replacement tables that specify application-specific implementations of functions and operators. When configured to use a code replacement library, the code generator uses criteria defined in the library to search for matches. If a match is found, the code generator replaces code that it generates by default with application-specific code defined in the library.
Code replacement table	One or more code replacement table entries. Provides a way to group related or shared entries for use in different libraries.
Code replacement entry	Represents a potential replacement for a function or operator. Maps a conceptual representation of a function or operator to an implementation representation and priority.
Conceptual argument	Represents an input or output argument for a function or operator being replaced. Conceptual arguments observe naming conventions ('y1',

Term	Definition
	'u1', 'u2', ...) and data types familiar to the code generator.
Conceptual representation	<p>Represents match criteria that the code generator uses to qualify functions and operators for replacement. Consists of:</p> <ul style="list-style-type: none"> <li>• Function or operator name or key</li> <li>• Conceptual arguments with type, dimension, and complexity specification for inputs and output</li> <li>• Attributes, such as an algorithm and fixed-point saturation and rounding modes</li> </ul>
Implementation argument	Represents an input or output argument for a C or C++ replacement function. Implementation arguments observe C/C++ name and data type specifications.
Implementation representation	<p>Specifies C or C++ replacement function prototype. Consists of:</p> <ul style="list-style-type: none"> <li>• Function name (for example, 'cos_db1' or 'u8_add_u8_u8')</li> <li>• Implementation arguments specifying type, type qualifiers, and complexity for the function inputs and output</li> <li>• Parameters that provide build information, such as header and source file names and paths of build resources and compile and link flags</li> </ul>
Key	A string that identifies a function or operator that is being replaced. A function name or key appears in the conceptual representation of a code replacement entry. The key RTW_OP_ADD identifies the addition operator.

Term	Definition
Priority	Defines the match priority for a code replacement entry relative to other entries, which have the same name and conceptual argument list, within a code replacement library. The priority can range from 0 to 100, with 0 being the highest priority. The default is 100. If a library provides two implementations for a function or operator, the implementation with the higher priority shadows the one with the lower priority.

### More About

- “What Is Code Replacement?” on page 20-2
- “Code Replacement Libraries” on page 20-23

## Code Replacement Limitations

Code replacement verification — It is possible that code replacement behaves differently than you expect. For example, data types that you observe in code generator input might not match what the code generator uses as intermediate data types during an operation. Verify code replacements by examining generated code.

### Related Examples

- “Replace Code Generated from Simulink Models” on page 20-29

### More About

- “Code You Can Replace From Simulink Models” on page 24-4
- “Code Replacement Libraries” on page 20-23



## Replace Code Generated from Simulink Models

This example shows how to replace generated code, using a code replacement library. Code replacement is a technique you can use to change the code that the code generator produces for functions and operators to meet application code requirements.

### Prepare for Code Replacement

- 1 Make sure that MATLAB, Simulink, Simulink Coder, and a C compiler are installed on your system. Some code replacement libraries available in your development environment can also require Embedded Coder.

To install MathWorks products, see the MATLAB installation documentation. If you have installed MATLAB and want to see which other MathWorks products are installed, in the Command Window, enter `ver` .

- 2 Identify an existing or create a Simulink model for which you want the code generator to replace code.

### Choose a Code Replacement Library

If you are not sure which library to use, explore the available libraries.

### Configure Code Generator To Use Code Replacement Library

- 1 Configure the code generator to apply a code replacement library during code generation for the model. Do one of the following:
  - In the Configuration Parameters dialog box, on the **Code Generation > Interface** pane, select a library from the **Code replacement library** menu.
  - Set the `CodeReplacementLibrary` parameter at the command line or programmatically.
- 2 Configure the code generator to produce code only (not build an executable) so you can verify your code replacements before building an executable. Do one of the following:
  - In the Configuration Parameters dialog box, on the **Code Generation** pane, select **Generate code only**.
  - Set the `GenCodeOnly` parameter at the command line or programmatically.

### **Include Code Replacement Information In Code Generation Report**

If you have an Embedded Coder license, you can configure the code generator to include a code replacement section in the code generation report. The additional information can help you verify code replacements.

- 1 Configure the code generator to generate a report. In the Configuration Parameters dialog box, on the **Code Generation > Report** pane, select **Create code generation report**. Consider having the report open automatically. Select **Open report automatically**.
- 2 Include the code replacement section in the report. On the **Code Generation > Report** pane, select **Summarize which blocks triggered code replacements**.

### **Generate Replacement Code**

Generate C/C++ code from the model and, if you configured the code generator accordingly, a code generation report. For example, in the model window, press **Ctrl+B**.

The code generator produces the code and displays the report.

### **Verify Code Replacements**

Verify code replacements by examining the generated code. It is possible that code replacement behaves differently than you expect. For example, data types that you observe in the code generator input might not match what the code generator uses as intermediate data types during an operation.

### **Related Examples**

- “Choose a Code Replacement Library” on page 20-32
- “Code Generation Configuration”
- “Verify Code Replacements” on page 24-78

### **More About**

- “Code replacement library”
- “Generate code only”
- “Create code generation report”
- “Open report automatically”
- “Summarize which blocks triggered code replacements”

- “What Is Code Replacement?” on page 20-2
- “Code You Can Replace From Simulink Models” on page 24-4
- “Code Replacement Libraries” on page 20-23
- “Code Replacement Terminology” on page 20-25
- “Code Replacement Limitations” on page 20-28

## **External Websites**

- Supported Compilers

## Choose a Code Replacement Library

### In this section...

“About Choosing a Code Replacement Library” on page 20-32

“Explore Available Code Replacement Libraries” on page 20-32

“Explore Code Replacement Library Contents” on page 20-32

### About Choosing a Code Replacement Library

By default, the code generator does not use a code replacement library.

If you are considering using a code replacement library:

- 1 Explore available libraries. Identify one that best meets your application needs.
  - Consider the lists of application code replacement requirements and libraries that MathWorks provides in “What Is Code Replacement?” on page 20-2.
  - See “Explore Available Code Replacement Libraries” on page 20-32.
- 2 Explore the contents of the library. See “Explore Code Replacement Library Contents” on page 20-32.

If you do not find a suitable library and you have an Embedded Coder license, you can create a custom code replacement library.

### Explore Available Code Replacement Libraries

You can select the code replacement library to use for code generation on the **Code Generation > Interface** pane in the Configuration Parameters dialog box. To view a description of a library, select and hover your cursor over the library name. A tooltip describes the library and lists the tables that it contains. The tooltip lists the tables in the order that the code generator searches for a function or operator match.

### Explore Code Replacement Library Contents

Use the Code Replacement Viewer to explore the content of a code replacement library.

- 1 At the command prompt, type `crviewer`.

```
>> crviewer
```

The viewer opens. To view the content of a specific library, specify the name of the library as an argument in single quotes. For example:

```
>> crviewer('GNU C99 extensions')
```

- 2** In the left pane, select the name of a library. The viewer displays information about the library in the right pane.
- 3** In the left pane, expand the library, explore the list of tables it contains, and select a table from the list. In the middle pane, the viewer displays the function and operator entries that are in that table, along with abbreviated information for each entry.
- 4** In the middle pane, select a function or operator. The viewer displays information from the table entry in the right pane.

If you select an operator entry that specifies net slope fixed-point parameters (instantiated from entry class `RTW.Tf1COperationEntryGenerator` or `RTW.Tf1COperationEntryGenerator_NetSlope`), the viewer displays an additional tab that shows fixed-point settings.

See Code Replacement Viewer for details on what the viewer displays.

## Related Examples

- “Replace Code Generated from Simulink Models” on page 20-29

## More About

- “What Is Code Replacement?” on page 20-2
- “Code You Can Replace From Simulink Models” on page 24-4
- “Code Replacement Libraries” on page 20-23
- “Code Replacement Terminology” on page 20-25
- “Code Replacement Limitations” on page 20-28



# Deployment





# Desktops

---

## Package Generated Code as Shared Object Libraries

The Embedded Coder product provides an ERT target, `ert_shrplib.tlc`, for generating a shared library version of model code for your host platform, either a Windows dynamic link library (`.dll`) file or a UNIX shared object (`.so`) file. Package your source code for easy distribution and shared use. The generated `.dll` or `.so` file is shareable among different applications and upgradeable without having to recompile the applications that use it.

### In this section...

“About Host-Based Shared Libraries” on page 21-2

“Generate Shared Library Version of Model Code” on page 21-2

“Create Application Code to Use Shared Library” on page 21-3

“Host-Based Shared Library Limitations” on page 21-7

### About Host-Based Shared Libraries

Code generation for the `ert_shrplib.tlc` target exports

- Variables and signals of type `ExportedGlobal` as data
- Real-time model structure (`model_M`) as data
- Functions essential to executing your model code

To view a list of symbols contained in a generated shared library file, you can

- On Windows, use the Dependency Walker utility, downloadable from <http://www.dependencywalker.com>
- On UNIX, use `nm -D model.so`

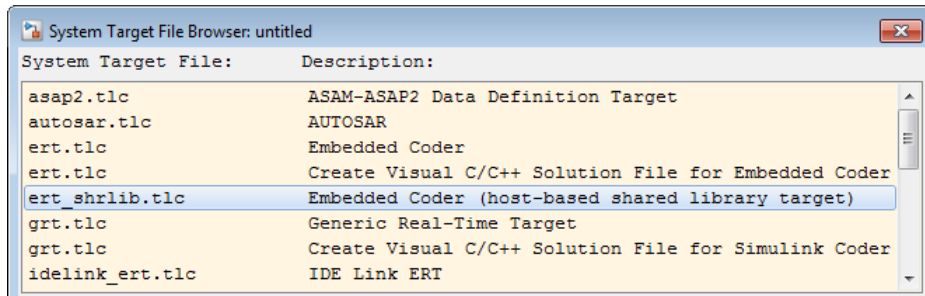
To generate and use a host-based shared library, you

- 1 Generate a shared library version of your model code
- 2 Create application code to load and use your shared library file

### Generate Shared Library Version of Model Code

This section summarizes the steps to generate a shared library version of your model code.

- 1 To configure your model code for shared use by applications, open your model and select the `ert_shrllib.tlc` target on the **Code Generation** pane of the Configuration Parameters dialog box. Click **OK**.



Selecting the `ert_shrllib.tlc` target causes the build process to generate a shared library version of your model code into your current working folder. The selection does not change the code that is generated for your model.

- 2 Build the model.
- 3 After the build completes, you can examine the generated code in the model subfolder, and the `.dll` file or `.so` file that has been generated into your current folder.

## Create Application Code to Use Shared Library

To illustrate how application code can load an ERT shared library file and access its functions and data, MathWorks provides the model `rtwdemo_shrllib`. Clicking the blue button in the model runs a script that:

- 1 Builds a shared library file from the model (for example, `rtwdemo_shrllib_win64.dll` on 64-bit Windows)
- 2 Compiles and links an example application, `rtwdemo_shrllib_app`, that will load and use the shared library file
- 3 Executes the example application

---

**Note:** Change directory to a writable working folder before running the `rtwdemo_shrllib` script.

---

---

**Tip** Explicit linking is preferred for portability. But, on Windows systems, the `ert_shrllib` target generates and retains the `.lib` file to support implicit linking.

To use implicit linking, the generated `model.h` file needs a small modification to be used together with the generated `ert_main.c`. For example, if you are using Visual C++, you need to declare `__declspec(dllimport)` in front of data to be imported implicitly from the shared library file.

---

The model uses the following example application files, which are located in the folder `matlabroot/toolbox/rtw/rtwdemos/shrllib_demo` (open).

File	Description
<code>rtwdemo_shrllib_app.h</code>	Example application header file
<code>rtwdemo_shrllib_app.c</code>	Example application that loads and uses the shared library file generated for the model
<code>run_rtwdemo_shrllib_app.m</code>	Script to compile, link, and execute the example application

You can view each of these files by clicking white buttons in the model window. Additionally, running the script places the relevant source and generated code files in your current folder. The files can be used as templates for writing application code for your own ERT shared library files.

The following sections present key excerpts of the example application files.

### Example Application Header File

The example application header file `rtwdemo_shrllib_app.h` contains type declarations for the model's external input and output.

```
#ifndef _APP_MAIN_HEADER_
#define _APP_MAIN_HEADER_

typedef struct {
    int32_T Input;
} ExternalInputs_rtwdemo_shrllib;

typedef struct {
    int32_T Output;
} ExternalOutputs_rtwdemo_shrllib;

#endif /*_APP_MAIN_HEADER_*/
```

## Example Application C Code

The example application `rtwdemo_shrllib_app.c` includes the following code for dynamically loading the shared library file. Notice that, depending on platform, the code invokes Windows or UNIX library commands.

```

#if defined(_WIN32)||defined(_WIN64) /* WINDOWS */
#include <windows.h>
#define GETSYMBOLADDR GetProcAddress
#define LOADLIB LoadLibrary
#define CLOSELIB FreeLibrary

#else /* UNIX */
#include <dlfcn.h>
#define GETSYMBOLADDR dlsym
#define LOADLIB dlopen
#define CLOSELIB dlclose

#endif

int main()
{
    void* handleLib;
    ...
    #if defined(_WIN64)
        handleLib = LOADLIB("./rtwdemo_shrllib_win64.dll");
    #else
    #if defined(_WIN32)
        handleLib = LOADLIB("./rtwdemo_shrllib_win32.dll");
    #else /* UNIX */
        handleLib = LOADLIB("./rtwdemo_shrllib.so", RTLD_LAZY);
    #endif
    #endif
    ...
    return(CLOSELIB(handleLib));
}

```

The following code excerpt shows how the C application accesses the model's exported data and functions. Notice the hooks for adding user-defined initialization, step, and termination code.

```

    int32_T i;
    ...
    void (*mdl_initialize)(boolean_T);
    void (*mdl_step)(void);
    void (*mdl_terminate)(void);

    ExternalInputs_rtwdemo_shrllib (*mdl_Uptr);
    ExternalOutputs_rtwdemo_shrllib (*mdl_Yptr);

    uint8_T (*sum_outptr);
    ...
    #if (defined(LCCDLL)||defined(BORLANDCDLL))

```

```

/* Exported symbols contain leading underscores when DLL is linked with
LCC or BORLANDC */
mdl_initialize = (void(*) (boolean_T)) GETSYMBOLADDR(handleLib ,
    "_rtwdemo_shrplib_initialize");
mdl_step       = (void(*) (void)) GETSYMBOLADDR(handleLib ,
    "_rtwdemo_shrplib_step");
mdl_terminate  = (void(*) (void)) GETSYMBOLADDR(handleLib ,
    "_rtwdemo_shrplib_terminate");
mdl_Uptr       = (ExternalInputs_rtwdemo_shrplib*) GETSYMBOLADDR(handleLib ,
    "_rtwdemo_shrplib_U");
mdl_Yptr       = (ExternalOutputs_rtwdemo_shrplib*) GETSYMBOLADDR(handleLib ,
    "_rtwdemo_shrplib_Y");
sum_outptr    = (uint8_T*) GETSYMBOLADDR(handleLib , "_sum_out");
#else
mdl_initialize = (void(*) (boolean_T)) GETSYMBOLADDR(handleLib ,
    "rtwdemo_shrplib_initialize");
mdl_step       = (void(*) (void)) GETSYMBOLADDR(handleLib ,
    "rtwdemo_shrplib_step");
mdl_terminate  = (void(*) (void)) GETSYMBOLADDR(handleLib ,
    "rtwdemo_shrplib_terminate");
mdl_Uptr       = (ExternalInputs_rtwdemo_shrplib*) GETSYMBOLADDR(handleLib ,
    "rtwdemo_shrplib_U");
mdl_Yptr       = (ExternalOutputs_rtwdemo_shrplib*) GETSYMBOLADDR(handleLib ,
    "rtwdemo_shrplib_Y");
sum_outptr    = (uint8_T*) GETSYMBOLADDR(handleLib , "sum_out");
#endif

if ((mdl_initialize && mdl_step && mdl_terminate && mdl_Uptr && mdl_Yptr &&
    sum_outptr)) {
    /* === user application initialization function === */
    mdl_initialize(1);
    /* insert other user defined application initialization code here */

    /* === user application step function === */
    for(i=0;i<=12;i++){
        mdl_Uptr->Input = i;
        mdl_step();
        printf("Counter out(sum_out): %d\tAmplifier in(Input): %d\tout(Output): %d\n",
            *sum_outptr, i, mdl_Yptr->Output);
        /* insert other user defined application step function code here */
    }

    /* === user application terminate function === */
    mdl_terminate();
    /* insert other user defined application termination code here */
}
else {
    printf("Cannot locate the specified reference(s) in the shared library.\n");
    return(-1);
}

```

### Example Application Script

The application script `run_rtwdemo_shrplib_app` loads and rebuilds the model, and then compiles, links, and executes the model's shared library target file. You can view the script source file by opening `rtwdemo_shrplib` and clicking a white button to view source code. The script constructs platform-dependent command strings for compilation, linking, and execution that may apply to your development environment. To run the script, click the blue button.

---

**Note:** To run the `run_rtwdemo_shrplib_app` script without first opening the `rtwdemo_shrplib` model, change directory to a writable working folder and issue the following MATLAB command:

```
addpath(fullfile(matlabroot, 'toolbox', 'rtw', 'rtwdemos', 'shrplib_demo'))
```

---

### Host-Based Shared Library Limitations

The following limitations apply to using ERT host-based shared libraries:

- Code generation for the `ert_shrplib.tlc` target exports only the following as data:
  - Variables and signals of type `ExportedGlobal`
  - Real-time model structure (`model_M`)
- Code generation for the `ert_shrplib.tlc` target supports the C language only (not C++). When you select the `ert_shrplib.tlc` target, language selection is greyed out on the **Code Generation** pane of the Configuration Parameters dialog box.
- To reconstruct a model simulation using a generated host-based shared library, the application author must maintain the timing between system and shared library function calls in the original application. The timing needs to be consistent so that you can check the simulation and integration results.





# Real-Time and Embedded Systems

---

- “Deploy Generated Standalone Executables To Target Hardware” on page 22-2
- “Deploy Generated Embedded System Software to Application Target Platforms” on page 22-22

## Deploy Generated Standalone Executables To Target Hardware

By default, the Embedded Coder software generates *standalone* programs that do not require an external real-time executive or operating system. A standalone program requires minimal modification to be adapted to the target hardware. The standalone program architecture supports execution of models with either single or multiple sample rates.

### In this section...

“Generate a Standalone Program” on page 22-2

“Standalone Program Components” on page 22-3

“Main Program” on page 22-3

“rt\_OneStep and Scheduling Considerations” on page 22-4

“Static Main Program Module” on page 22-10

“Rate Grouping Compliance and Compatibility Issues” on page 22-17

## Generate a Standalone Program

To generate a standalone program:

- 1 In the **Custom templates** section of the **Code Generation > Templates** pane of the Configuration Parameters dialog box, select the **Generate an example main program** option (which is on by default). This enables the **Target operating system** menu.
- 2 From the **Target operating system** menu, select **BareBoardExample** (the default selection).
- 3 Generate the code.

Different code is generated for multirate models depending on the following factors:

- Whether the model executes in single-tasking or multitasking mode.
- Whether or not reusable code is being generated.

These factors affect the scheduling algorithms used in generated code, and in some cases affect the API for the model entry point functions. The following sections discuss these variants.

## Standalone Program Components

The core of a standalone program is the main loop. On each iteration, the main loop executes a background or null task and checks for a termination condition.

The main loop is periodically interrupted by a timer. The function `rt_OneStep` is either installed as a timer interrupt service routine (ISR), or called from a timer ISR at each clock step.

The execution driver, `rt_OneStep`, sequences calls to the *model\_step* functions. The operation of `rt_OneStep` differs depending on whether the generating model is single-rate or multirate. In a single-rate model, `rt_OneStep` simply calls the *model\_step* function. In a multirate model, `rt_OneStep` prioritizes and schedules execution of blocks according to the rates at which they run.

## Main Program

- “Overview of Operation” on page 22-3
- “Guidelines for Modifying the Main Program” on page 22-4

### Overview of Operation

The following pseudocode shows the execution of a main program.

```
main()
{
  Initialization (including installation of rt_OneStep as an
    interrupt service routine for a real-time clock)
  Initialize and start timer hardware
  Enable interrupts
  While(not Error) and (time < final time)
    Background task
  EndWhile
  Disable interrupts (Disable rt_OneStep from executing)
  Complete any background tasks
  Shutdown
}
```

The pseudocode is a design for a harness program to drive your model. The main program only partially implements this design. You must modify it according to your specifications.

### Guidelines for Modifying the Main Program

This section describes the minimal modifications you should make in your production version of the main program module to implement your harness program.

- 1 Call `model_initialize`.
- 2 Initialize target-specific data structures and hardware, such as ADCs or DACs.
- 3 Install `rt_OneStep` as a timer ISR.
- 4 Initialize timer hardware.
- 5 Enable timer interrupts and start the timer.

---

**Note** `rtModel` is not in a valid state until `model_initialize` has been called. Servicing of timer interrupts should not begin until `model_initialize` has been called.

---

- 6 Optionally, insert background task calls in the main loop.
- 7 On termination of the main loop (if applicable):
  - Disable timer interrupts.
  - Perform target-specific cleanup such as zeroing DACs.
  - Detect and handle errors. Note that even if your program is designed to run indefinitely, you may need to handle severe error conditions, such as timer interrupt overruns.

You can use the macros `rtmGetErrorStatus` and `rtmSetErrorStatus` to detect and signal errors.

### rt\_OneStep and Scheduling Considerations

- “Overview of Operation” on page 22-4
- “Single-Rate Single-Tasking Operation” on page 22-5
- “Multirate Multitasking Operation” on page 22-6
- “Multirate Single-Tasking Operation” on page 22-8
- “Guidelines for Modifying `rt_OneStep`” on page 22-9

### Overview of Operation

The operation of `rt_OneStep` depends upon

- Whether your model is single-rate or multirate. In a single-rate model, the sample times of all blocks in the model, and the model's fixed step size, are the same. A model in which the sample times and step size do not meet these conditions is termed multirate.
- Your model's solver mode (`SingleTasking` versus `MultiTasking`)

Permitted Solver Modes for Embedded Coder Targeted Models summarizes the permitted solver modes for single-rate and multirate models. Note that for a single-rate model, only `SingleTasking` solver mode is allowed.

### Permitted Solver Modes for Embedded Coder Targeted Models

Mode	Single-Rate	Multirate
<code>SingleTasking</code>	Allowed	Allowed
<code>MultiTasking</code>	Disallowed	Allowed
<code>Auto</code>	Allowed (defaults to <code>SingleTasking</code> )	Allowed (defaults to <code>MultiTasking</code> )

The generated code for `rt_OneStep` (and associated timing data structures and support functions) is tailored to the number of rates in the model and to the solver mode. The following sections discuss each possible case.

#### Single-Rate Single-Tasking Operation

The only valid solver mode for a single-rate model is `SingleTasking`. Such models run in “single-rate” operation.

The following pseudocode shows the design of `rt_OneStep` in a single-rate program.

```
rt_OneStep()
{
    Check for interrupt overflow or other error
    Enable "rt_OneStep" (timer) interrupt
    Model_Step() -- Time step combines output, logging, update
}
```

For the single-rate case, the generated `model_step` function is

```
void model_step(void)
```

Single-rate `rt_OneStep` is designed to execute `model_step` within a single clock period. To enforce this timing constraint, `rt_OneStep` maintains and checks a timer overrun flag. On entry, timer interrupts are disabled until the overrun flag and other error conditions have been checked. If the overrun flag is clear, `rt_OneStep` sets the flag, and proceeds with timer interrupts enabled.

The overrun flag is cleared only upon successful return from `model_step`. Therefore, if `rt_OneStep` is reinterrupted before completing `model_step`, the reinterrupt is detected through the overrun flag.

Reinterruption of `rt_OneStep` by the timer is an error condition. If this condition is detected `rt_OneStep` signals an error and returns immediately. (Note that you can change this behavior if you want to handle the condition differently.)

Note that the design of `rt_OneStep` assumes that interrupts are disabled before `rt_OneStep` is called. `rt_OneStep` should be noninterruptible until the interrupt overflow flag has been checked.

### **Multirate Multitasking Operation**

In a multirate multitasking system, code generation uses a prioritized, preemptive multitasking scheme to execute the different sample rates in your model.

The following pseudocode shows the design of `rt_OneStep` in a multirate multitasking program.

```
rt_OneStep()
{
  Check for base-rate interrupt overrun
  Enable "rt_OneStep" interrupt
  Determine which rates need to run this time step

  Model_Step0()      -- run base-rate time step code

  For N=1:NumTasks-1  -- iterate over sub-rate tasks
    If (sub-rate task N is scheduled)
      Check for sub-rate interrupt overrun
      Model_StepN()   -- run sub-rate time step code
    EndIf
  EndFor
}
```

### Task Identifiers

The execution of blocks having different sample rates is broken into tasks. Each block that executes at a given sample rate is assigned a *task identifier* (`tid`), which associates it with a task that executes at that rate. Where there are `NumTasks` tasks in the system, the range of task identifiers is `0..NumTasks-1`.

### Prioritization of Base-Rate and Subrate Tasks

Tasks are prioritized, in descending order, by rate. The *base-rate* task is the task that runs at the fastest rate in the system (the hardware clock rate). The base-rate task has highest priority (`tid 0`). The next fastest task (`tid 1`) has the next highest priority, and so on down to the slowest, lowest priority task (`tid NumTasks-1`).

The slower tasks, running at multiples of the base rate, are called *subrate* tasks.

### Rate Grouping and Rate-Specific `model_step` Functions

In a single-rate model, the block output computations are performed within a single function, `model_step`. For multirate, multitasking models, the code generator tries to use a different strategy. This strategy is called *rate grouping*. Rate grouping generates separate `model_step` functions for the base rate task and each subrate task in the model. The function naming convention for these functions is

`model_stepN`

where `N` is a task identifier. For example, for a model named `my_model` that has three rates, the following functions are generated:

```
void my_model_step0 (void);
void my_model_step1 (void);
void my_model_step2 (void);
```

Each `model_stepN` function executes the blocks sharing `tid N`; in other words, the block code that executes within task `N` is grouped into the associated `model_stepN` function.

### Scheduling `model_stepN` Execution

On each clock tick, `rt_OneStep` maintains scheduling counters and *event flags* for each subrate task. The counters are implemented as `taskCounter` arrays indexed on `tid`. The event flags are implemented as arrays indexed on `tid`.

The scheduling counters and task flags for sub-rates are maintained by `rt_OneStep`. The scheduling counters are basically clock rate dividers that count up the sample period

associated with each sub-rate task. A pair of tasks that exchanges data maintains an interaction flag at the faster rate. Task interaction flags indicate that both fast and slow tasks are scheduled to run.

The event flags indicate whether or not a given task is scheduled for execution. `rt_OneStep` maintains the event flags based on a task counter that is maintained by code in the main program module for the model. When a counter indicates that a task's sample period has elapsed, the main code sets the event flag for that task.

On each invocation, `rt_OneStep` updates its scheduling data structures and steps the base-rate task (`rt_OneStep` calls `model_step0` because the base-rate task must execute on every clock step). Then, `rt_OneStep` iterates over the scheduling flags in `tid` order, unconditionally calling `model_stepN` for any task whose flag is set. The tasks are executed in order of priority.

### **Preemption**

Note that the design of `rt_OneStep` assumes that interrupts are disabled before `rt_OneStep` is called. `rt_OneStep` should be noninterruptible until the base-rate interrupt overflow flag has been checked (see pseudocode above).

The event flag array and loop variables used by `rt_OneStep` are stored as local (stack) variables. Therefore, `rt_OneStep` is reentrant. If `rt_OneStep` is reinterrupted, higher priority tasks preempt lower priority tasks. Upon return from interrupt, lower priority tasks resume in the previously scheduled order.

### **Overrun Detection**

Multirate `rt_OneStep` also maintains an array of timer overrun flags. `rt_OneStep` detects timer overrun, per task, by the same logic as single-rate `rt_OneStep`.

---

**Note** If you have developed multirate S-functions, or if you use a customized static main program module, see “Rate Grouping Compliance and Compatibility Issues” on page 22-17 for information about how to adapt your code for rate grouping compatibility. This adaptation lets your multirate, multitasking models generate more efficient code.

---

### **Multirate Single-Tasking Operation**

In a multirate single-tasking program, by definition, sample times in the model must be an integer multiple of the model's fixed-step size.



In a multirate single-tasking program, blocks execute at different rates, but under the same task identifier. The operation of `rt_OneStep`, in this case, is a simplified version of multirate multitasking operation. Rate grouping is not used. The only task is the base-rate task. Therefore, only one `model_step` function is generated:

```
void model_step(void)
```

On each clock tick, `rt_OneStep` checks the overrun flag and calls `model_step`. The scheduling function for a multirate single-tasking program is `rate_scheduler` (rather than `rate_monotonic_scheduler`). The scheduler maintains scheduling counters on each clock tick. There is one counter for each sample rate in the model. The counters are implemented in an array (indexed on `tid`) within the `Timing` structure within `rtModel`.

The counters are clock rate dividers that count up the sample period associated with each subrate task. When a counter indicates that a sample period for a given rate has elapsed, `rate_scheduler` clears the counter. This condition indicates that blocks running at that rate should execute on the next call to `model_step`, which is responsible for checking the counters.

### Guidelines for Modifying `rt_OneStep`

`rt_OneStep` does not require extensive modification. The only required modification is to reenable interrupts after the overrun flags and error conditions have been checked. If applicable, you should also

- Save and restore your FPU context on entry and exit to `rt_OneStep`.
- Set model inputs associated with the base rate before calling `model_step0`.
- Get model outputs associated with the base rate after calling `model_step0`.

---

**Note:** If you modify `rt_OneStep` to read a value from a continuous output port after each base-rate model step, see the relevant cautionary guideline below.

---

- In a multirate, multitasking model, set model inputs associated with subrates before calling `model_stepN` in the subrate loop.
- In a multirate, multitasking model, get model outputs associated with subrates after calling `model_stepN` in the subrate loop.

Comments in `rt_OneStep` indicate the place to add your code.

In multirate `rt_OneStep`, you can improve performance by unrolling `for` and `while` loops.

In addition, you may choose to modify the overrun behavior to continue execution after error recovery is complete.

Also observe the following cautionary guidelines:

- You should not modify the way in which the counters, event flags, or other timing data structures are set in `rt_OneStep`, or in functions called from `rt_OneStep`. The `rt_OneStep` timing data structures (including `rtModel`) and logic are critical to the operation of the generated program.
- If you have customized the main program module to read model outputs after each base-rate model step, be aware that selecting model options **Support: continuous time** and **Single output/update function** together may cause output values read from `main` for a continuous output port to differ slightly from the corresponding output values in the model's logged data. This is because, while logged data is a snapshot of output at major time steps, output read from `main` after the base-rate model step potentially reflects intervening minor time steps. To eliminate the discrepancy, either separate the generated output and update functions (clear the **Single output/update function** option) or place a Zero-Order Hold block before the continuous output port.

## Static Main Program Module

- “Overview” on page 22-10
- “Rate Grouping and the Static Main Program” on page 22-11
- “Modify the Static Main Program” on page 22-13
- “Modify Static Main to Allocate and Access Model Instance Data” on page 22-14

### Overview

In most cases, the easiest strategy for deploying generated code is to use the **Generate an example main program option** to generate the `ert_main.c` or `.cpp` module (see “Generate a Standalone Program” on page 22-2).

However, if you turn the **Generate an example main program** option off, you can use a static main module as an example or template for developing your embedded applications. Static main modules provided by MathWorks include:

- `matlabroot/rtw/c/src/common/rt_main.c` — Supports Nonreusable function code interface packaging.

- `matlabroot/rtw/c/src/common/rt_malloc_main.c` — Supports Reusable function code interface packaging. The model option **Use dynamic memory allocation for model initialization** must be on and model parameter **Pass root-level I/O as** must be set to Part of model data structure.
- `matlabroot/rtw/c/src/common/rt_cppclass_main.cpp` — Supports C++ class code interface packaging.

The static main module is not part of the generated code; it is provided as a basis for your custom modifications, and for use in simulation. If your existing applications depend upon a static `ert_main.c` (developed in releases before R2012b), `rt_main.c`, `rt_malloc_main.c`, or `rt_cppclass_main.cpp`, you may need to continue using a static main program module.

When developing applications using a static main module, you should copy the module to your working folder and rename it before making modifications. For example, you could rename `rt_main.c` to `model_rt_main.c`. Also, you must modify the template makefile or toolchain settings such that the build process creates a corresponding object file, such as `model_rt_main.obj` (on UNIX, `model_rt_main.o`), in the build folder.

The static main module contains

- `rt_OneStep`, a timer interrupt service routine (ISR). `rt_OneStep` calls `model_step` to execute processing for one clock period of the model.
- A skeletal `main` function. As provided, `main` is useful in simulation only. You must modify `main` for real-time interrupt-driven execution.

For single-rate models, the operation of `rt_OneStep` and the main function are essentially the same in the static main module as they are in the automatically generated version described in “Deploy Generated Standalone Executables To Target Hardware” on page 22-2. For multirate, multitasking models, however, the static and generated code are slightly different. The next section describes this case.

### Rate Grouping and the Static Main Program

Targets based on the ERT target sometimes use a static main module and disallow use of the **Generate an example main program** option. This is done because target-specific modifications have been added to the static main module, and these modifications would not be preserved if the main program were regenerated.

Your static main module may or may not use rate grouping compatible `model_stepN` functions. If your main module is based on the static `rt_main.c`, `rt_malloc_main.c`,

or `rt_cppclass_main.cpp` module, it does not use rate-specific `model_stepN` function calls. It uses the old-style `model_step` function, passing in a task identifier:

```
void model_step(int_T tid);
```

By default, when the **Generate an example main program** option is off, the ERT target generates a `model_step` “wrapper” for multirate, multitasking models. The purpose of the wrapper is to interface the rate-specific `model_stepN` functions to the old-style call. The wrapper code dispatches to the `model_stepN` call with a `switch` statement, as in the following example:

```
void mymodel_step(int_T tid) /* Sample time: */
{
    switch(tid) {
        case 0 :
            mymodel_step0();
            break;
        case 1 :
            mymodel_step1();
            break;
        case 2 :
            mymodel_step2();
            break;
        default :
            break;
    }
}
```

The following pseudocode shows how `rt_OneStep` calls `model_step` from the static main program in a multirate, multitasking model.

```
rt_OneStep()
{
    Check for base-rate interrupt overflow
    Enable "rt_OneStep" interrupt
    Determine which rates need to run this time step

    ModelStep(tid=0)    --base-rate time step

    For N=1:NumTasks-1 -- iterate over sub-rate tasks
        Check for sub-rate interrupt overflow
        If (sub-rate task N is scheduled)
            ModelStep(tid=N)    --sub-rate time step
```

```
    EndIf  
  EndFor  
}
```

You can use the TLC variable `RateBasedStepFcn` to specify that only the rate-based step functions are generated, without the wrapper function. If your target calls the rate grouping compatible `model_stepN` function directly, set `RateBasedStepFcn` to 1. In this case, the wrapper function is not generated.

You should set `RateBasedStepFcn` prior to the `%include "codegenentry.tlc"` statement in your system target file. Alternatively, you can set `RateBasedStepFcn` in your `target_settings.tlc` file.

### Modify the Static Main Program

As with the generated `ert_main.c` or `.cpp`, you should make a few modifications to the main loop and `rt_OneStep`. See “Guidelines for Modifying the Main Program” on page 22-4 and “Guidelines for Modifying `rt_OneStep`” on page 22-9.

Also, you should replace the `rt_OneStep` call in the main loop with a background task call or null statement.

Other modifications you may need to make are

- If applicable, follow comments in the code regarding where to add code for reading/writing model I/O and saving/restoring FPU context.

---

**Note:** If you modify `rt_main.c`, `rt_malloc_main.c`, or `rt_cppclass_main.cpp` to read a value from a continuous output port after each base-rate model step, see the relevant cautionary guideline in “Guidelines for Modifying `rt_OneStep`” on page 22-9.

---

- When the **Generate an example main program** option is off, `rtmodel.h` is generated to provide an interface between the main module and generated model code. If you create your own static main program module, you would normally include `rtmodel.h`.

Alternatively, you can suppress generation of `rtmodel.h`, and include `model.h` directly in your main module. To suppress generation of `rtmodel.h`, use the following statement in your system target file:

```
%assign AutoBuildProcedure = 0
```

- If you have cleared the **Terminate function required** option, remove or comment out the following in your production version of `rt_main.c`, `rt_malloc_main.c`, or `rt_cppclass_main.cpp`:
  - The `#if TERMFCN...` compile-time error check
  - The call to `MODEL_TERMINATE`
- For `rt_main.c` (not applicable to `rt_cppclass_main.cpp`): If you do *not* want to combine output and update functions, clear the **Single output/update function** option and make the following changes in your production version of `rt_main.c`:
  - Replace calls to `MODEL_STEP` with calls to `MODEL_OUTPUT` and `MODEL_UPDATE`.
  - Remove the `#if ONESTEPFCN...` error check.
- The static `rt_main.c` module does not support **Reusable function code interface** packaging. The following error check raises a compile-time error if **Reusable function code interface** packaging is used illegally.

```
#if MULTI_INSTANCE_CODE==1
```

### Modify Static Main to Allocate and Access Model Instance Data

If you are using a static main program module, and your model is configured for **Reusable function code interface** packaging, but the model option **Use dynamic memory allocation for model initialization** is not selected, model instance data must be allocated either statically or dynamically by the calling main code. Pointers to the individual model data structures (such as Block IO, DWork, and Parameters) must be set up in the top-level real-time model data structure.

To support main modifications, the build process generates a subset of the following real-time model (RTM) macros, based on the data requirements of your model, into `model.h`.

RTM Macro Syntax	Description
<code>rtmGetBlockIO(rtm)</code>	Get the block I/O data structure
<code>rtmSetBlockIO(rtm, val)</code>	Set the block I/O data structure
<code>rtmGetContStates(rtm)</code>	Get the continuous states data structure
<code>rtmSetContStates(rtm, val)</code>	Set the continuous states data structure
<code>rtmGetDefaultParam(rtm)</code>	Get the default parameters data structure
<code>rtmSetDefaultParam(rtm, val)</code>	Set the default parameters data structure

RTM Macro Syntax	Description
<code>rtmGetPrevZCSigState(rtm)</code>	Get the previous zero-crossing signal state data structure
<code>rtmSetPrevZCSigState(rtm, val)</code>	Set the previous zero-crossing signal state data structure
<code>rtmGetRootDWork(rtm)</code>	Get the DWork data structure
<code>rtmSetRootDWork(rtm, val)</code>	Set the DWork data structure
<code>rtmGetU(rtm)</code>	Get the root inputs data structure (when root inputs are passed as part of the model data structure)
<code>rtmSetU(rtm, val)</code>	Set the root inputs data structure (when root inputs are passed as part of the model data structure)
<code>rtmGetY(rtm)</code>	Get the root outputs data structure (when root outputs are passed as part of the model data structure)
<code>rtmSetY(rtm, val)</code>	Set the root outputs data structure (when root outputs are passed as part of the model data structure)

Use these macros in your static main program to access individual model data structures within the RTM data structure. For example, suppose that the example model `rtwdemo_reusable` is configured with `Reusable` function code interface packaging, **Use dynamic memory allocation for model initialization** cleared, **Pass root-level I/O** as set to `Individual` arguments, and **Optimization** pane option **Remove root level I/O zero initialization** cleared. Building the model generates the following model data structures and model entry-points into `rtwdemo_reusable.h`:

```

/* Block states (auto storage) for system '<Root>' */
typedef struct {
    real_T Delay_DSTATE;          /* '<Root>/Delay' */
} D_Work;

/* Parameters (auto storage) */
struct Parameters_ {
    real_T k1;                    /* Variable: k1
                                * Referenced by: '<Root>/Gain'
                                */
};

/* Real-time Model Data Structure */
struct tag_RTM {
    /*
     * ModelData:

```

```
    * The following substructure contains information regarding
    * the data used in the model.
    */
    struct {
        Parameters *defaultParam;
        D_Work *dwork;
    } ModelData;
};

/* Model entry point functions */
extern void rtwdemo_reusable_initialize(RT_MODEL *const rtM, real_T *rtU_In1,
    real_T *rtU_In2, real_T *rtY_Out1);
extern void rtwdemo_reusable_step(RT_MODEL *const rtM, real_T rtU_In1, real_T
    rtU_In2, real_T *rtY_Out1);
```

Additionally, if **Generate an example main program** is not selected for the model, `rtwdemo_reusable.h` contains definitions for the RTM macros `rtmGetDefaultParam`, `rtmsetDefaultParam`, `rtmGetRootDWork`, and `rtmSetRootDWork`.

Also, for reference, the generated `rtmodel.h` file contains an example parameter definition with initial values (non-executing code):

```
#if 0

/* Example parameter data definition with initial values */
static Parameters rtP = {
    2.0                                /* Variable: k1
    * Referenced by: '<Root>/Gain'
    */
};                                     /* Modifiable parameters */

#endif
```

In the definitions section of your static main file, you could use the following code to statically allocate the real-time model data structures and arguments for the `rtwdemo_reusable` model:

```
static RT_MODEL rtM_;
static RT_MODEL *const rtM = &rtM_; /* Real-time model */
static Parameters rtP = {
    2.0                                /* Variable: k1
    * Referenced by: '<Root>/Gain'
    */
};                                     /* Modifiable parameters */

static D_Work rtDWork;                /* Observable states */

/* '<Root>/In1' */
static real_T rtU_In1;

/* '<Root>/In2' */
static real_T rtU_In2;
```



```
/* '<Root>/Out1' */
static real_T rtY_Out1;
```

In the body of your main function, you could use the following RTM macro calls to set up the model parameters and DWork data in the real-time model data structure:

```
int_T main(int_T argc, const char *argv[])
{
    ...
    /* Pack model data into RTM */

    rtmSetDefaultParam(rtm, &rtP);
    rtmSetRootDWork(rtm, &rtDWork);

    /* Initialize model */
    rtwdemo_reusable_initialize(rtm, &rtU_In1, &rtU_In2, &rtY_Out1);
    ...
}
```

Follow a similar approach to set up multiple instances of model data, where the real-time model data structure for each instance has its own data. In particular, the parameter structure (rtP) should be initialized, for each instance, to the desired values, either statically as part of the rtP data definition or at run time.

## Rate Grouping Compliance and Compatibility Issues

- “Main Program Compatibility” on page 22-17
- “Make Your S-Functions Rate Grouping Compliant” on page 22-17

### Main Program Compatibility

When the **Generate an example main program** option is off, code generation produces slightly different rate grouping code, for compatibility with the older static `ert_main.c` module. See “Rate Grouping and the Static Main Program” on page 22-11 for details.

### Make Your S-Functions Rate Grouping Compliant

Built-in Simulink blocks, as well as DSP System Toolbox blocks, are compliant with the requirements for generating rate grouping code. However, user-written multirate inlined S-functions may not be rate grouping compliant. Noncompliant blocks generate less efficient code, but are otherwise compatible with rate grouping. To take full advantage of the efficiency of rate grouping, your multirate inlined S-functions must be upgraded to be fully rate grouping compliant. You should upgrade your TLC S-function implementations, as described in this section.

Use of noncompliant multirate blocks to generate rate-grouping code generates dead code. This can cause two problems:

- Reduced code efficiency.
- Warning messages issued at compile time. Such warnings are caused when dead code references temporary variables before initialization. Since the dead code does not run, this problem does not affect the run-time behavior of the generated code.

To make your S-functions rate grouping compliant, you can use the following TLC functions to generate `ModelOutputs` and `ModelUpdate` code, respectively:

```
OutputsForTID(block, system, tid)
UpdateForTID(block, system, tid)
```

The code listings below illustrate generation of output computations without rate grouping (Listing 1) and with rate grouping (Listing 2). Note the following:

- The `tid` argument is a task identifier ( $0 \dots \text{NumTasks} - 1$ ).
- Only code guarded by the `tid` passed in to `OutputsForTID` is generated. The `if (<LibIsSFcnSampleHit(portName)>)` test is not used in `OutputsForTID`.
- When generating rate grouping code, `OutputsForTID` and/or `UpdateForTID` is called during code generation. When generating non-rate-grouping code, `Outputs` and/or `Update` is called.
- In rate grouping compliant code, the top-level `Outputs` and/or `Update` functions call `OutputsForTID` and/or `UpdateForTID` functions for each rate (`tid`) involved in the block. The code returned by `OutputsForTID` and/or `UpdateForTID` must be guarded by the corresponding `tid` guard:

```
if (<LibIsSFcnSampleHit(portName)>)
```

```
as in Listing 2.
```

### Listing 1: Outputs Code Generation Without Rate Grouping

```
%% multirate_blk.tlc
%implements "multirate_blk" "C"

%% Function: mdlOutputs =====
%% Abstract:
%%
%% Compute the two outputs (input signal decimated by the
%% specified parameter). The decimation is handled by sample times.
%% The decimation is only performed if the block is enabled.
```

```

%% Each ports has a different rate.
%%
%% Note, the usage of the enable should really be protected such that
%% Neach task has its own enable state. In this example, the enable
%% occurs immediately which may or may not be the expected behavior.
%%
%function Outputs(block, system) Output
/* %<Type> Block: %<Name> */
%assign enable = LibBlockInputSignal(0, "", "", 0)
{
    int_T *enabled = &%<LibBlockIWork(0, "", "", 0)>;

    %if LibGetSFCnTIDType("InputPortIdx0") == "continuous"
        %% Only check the enable signal on a major time step.
        if (%<LibIsMajorTimeStep()> && ...
            %<LibIsSFCnSampleHit("InputPortIdx0")>) {
            *enabled = (%<enable> > 0.0);
        }
    %else
        if (%<LibIsSFCnSampleHit("InputPortIdx0")>) {
            *enabled = (%<enable> > 0.0);
        }
    %endif

    if (*enabled) {
        %assign signal = LibBlockInputSignal(1, "", "", 0)
        if (%<LibIsSFCnSampleHit("OutputPortIdx0")>) {
            %assign y = LibBlockOutputSignal(0, "", "", 0)
            %<y> = %<signal>;
        }
        if (%<LibIsSFCnSampleHit("OutputPortIdx1")>) {
            %assign y = LibBlockOutputSignal(1, "", "", 0)
            %<y> = %<signal>;
        }
    }
}

%endfunction
%% [EOF] sfun_multirate.tlc

```

### Listing 2: Outputs Code Generation With Rate Grouping

```

%% example_multirateblk.tlc

%implements "example_multirateblk" "C"

%% Function: mdlOutputs =====
%% Abstract:
%%
%% Compute the two outputs (the input signal decimated by the
%% specified parameter). The decimation is handled by sample times.
%% The decimation is only performed if the block is enabled.
%% All ports have different sample rate.
%%
%% Note: the usage of the enable should really be protected such that

```

```
%% each task has its own enable state. In this example, the enable
%% occurs immediately which may or may not be the expected behavior.
%%
%function Outputs(block, system) Output

%assign portIdxName = ["InputPortIdx0", "OutputPortIdx0", "OutputPortIdx1"]
%assign portTID      = [%<LibGetGlobalTIDFromLocalSFcnTID("InputPortIdx0")>, ...
                       %<LibGetGlobalTIDFromLocalSFcnTID("OutputPortIdx0")>, ...
                       %<LibGetGlobalTIDFromLocalSFcnTID("OutputPortIdx1")>]

%foreach i = 3
    %assign portName = portIdxName[i]
    %assign tid      = portTID[i]
    if (%<LibIsSFcnSampleHit(portName)>) {
        %<OutputsForTID(block, system, tid)>
    }
%endforeach

%endfunction

%function OutputsForTID(block, system, tid) Output
/* %<Type> Block: %<Name> */
%assign enable = LibBlockInputSignal(0, "", "", 0)
%assign enabled = LibBlockIWork(0, "", "", 0)
%assign signal = LibBlockInputSignal(1, "", "", 0)

%switch(tid)
    %case LibGetGlobalTIDFromLocalSFcnTID("InputPortIdx0")
        %if LibGetSFcnTIDType("InputPortIdx0") == "continuous"
            %% Only check the enable signal on a major time step.
            if (%<LibIsMajorTimeStep()>) {
                %<enabled> = (%<enable> > 0.0);
            }
        %else
            %<enabled> = (%<enable> > 0.0);
        %endif
        %break
    %case LibGetGlobalTIDFromLocalSFcnTID("OutputPortIdx0")
        if (%<enabled>) {
            %assign y = LibBlockOutputSignal(0, "", "", 0)
            %<y> = %<signal>;
        }
        %break
    %case LibGetGlobalTIDFromLocalSFcnTID("OutputPortIdx1")
        if (%<enabled>) {
            %assign y = LibBlockOutputSignal(1, "", "", 0)
            %<y> = %<signal>;
        }
        %break
    %default
        %% error it out
%endswitch

%endfunction
```

```
%% [EOF] sfun_multirate.tlc
```

## Deploy Generated Embedded System Software to Application Target Platforms

Embedded Coder software supports integration for specific operating systems and processors. For details, see “Embedded Coder Supported Hardware” on page 40-2.

### In this section...

“Automate Interaction Between IDE Link Component and Texas Instruments™ (TI) Code Composer Studio™ (CCS)” on page 22-22

“Read From and Write To DSP Target Using RTDX™ Component of IDE Link Component” on page 22-23

“Build Executables for Multiprocessor Platform Using IDE Link Component” on page 22-24

“Interface to an Example Real-Time Operating System (VxWorks®)” on page 22-24

“Multirate Modeling in Multitasking Mode (VxWorks® OS)” on page 22-26

### Automate Interaction Between IDE Link Component and Texas Instruments™ (TI) Code Composer Studio™ (CCS)

This example shows how to automate interaction between IDE Link component and Texas Instruments™ (TI) Code Composer Studio™ (CCS) using MATLAB® commands.

Launch example

#### Description

The script loads and runs an application on the target DSP. To begin, the example asks you to choose the processor to run the example on. Your target selection is displayed by invoking `ccsboardinfo` and `boardprotsel` functions.

Through `ticcs`, you create a handle to the processor. Using this handle, you perform CCS IDE-specific tasks such as

- Build the CCS project
- Load the application
- Run, halt, and restart the processor

You can also do other operations such as

- Insert and delete breakpoints
- Toggle the CCS IDE visibility

You can query the target for information using the methods

- `isrunning`
- `address`
- `info`

You can access target memory and registers using the methods

- `read`
- `write`
- `regread`
- `regwrite`

### **Supported Processor Families**

- C6000™ (C62x™, C64x™, C67x™)
- C5000™ (C54x™, C55x™)
- C2000™ (C28x™, C27x™, C24x™)
- TMS470 (R1x, R2x)

### **To Run the Example**

- At the MATLAB® command prompt, enter `ccstutorial`.

## **Read From and Write To DSP Target Using RTDX™ Component of IDE Link Component**

This example shows how to read and write data to and from a DSP target using the RTDX™ component of the IDE Link component.

Launch example

### **Description**

The example script loads and runs an application on the target. This application uses RTDX to transfer data messages between MATLAB® (the host application) and the target.

This tutorial writes the integers 1 through 10 to the target DSP. The target takes the array of integers, increments each array element by one, and writes the resultant array back to the host. The read and write process is performed 20 successive times, with each iteration incrementing the previous array result by one. The host application uses `readmsg` and `readmat` to read the data in a variety of data formats.

### **Supported Processor Families**

- C5000™ (C54x™, C55x™)
- C2000™ (C28x™)

### **To Run the Example**

- At the MATLAB™ command prompt, enter `rtdxtutorial`.

## **Build Executables for Multiprocessor Platform Using IDE Link Component**

This example shows how to use IDE Link component with platforms consisting of multiple processors using MATLAB® commands.

Launch example

### **Description**

The tutorial shows how to use IDE Link methods to connect to and control multiple processors simultaneously.

### **Supported Processor**

- OMAP™

### **To Run the Example**

- At the MATLAB® command prompt, enter `multiproctutorial`.

## **Interface to an Example Real-Time Operating System (VxWorks®)**

This example shows how to simulate and generate code for asynchronous events on an example RTOS (VxWorks).

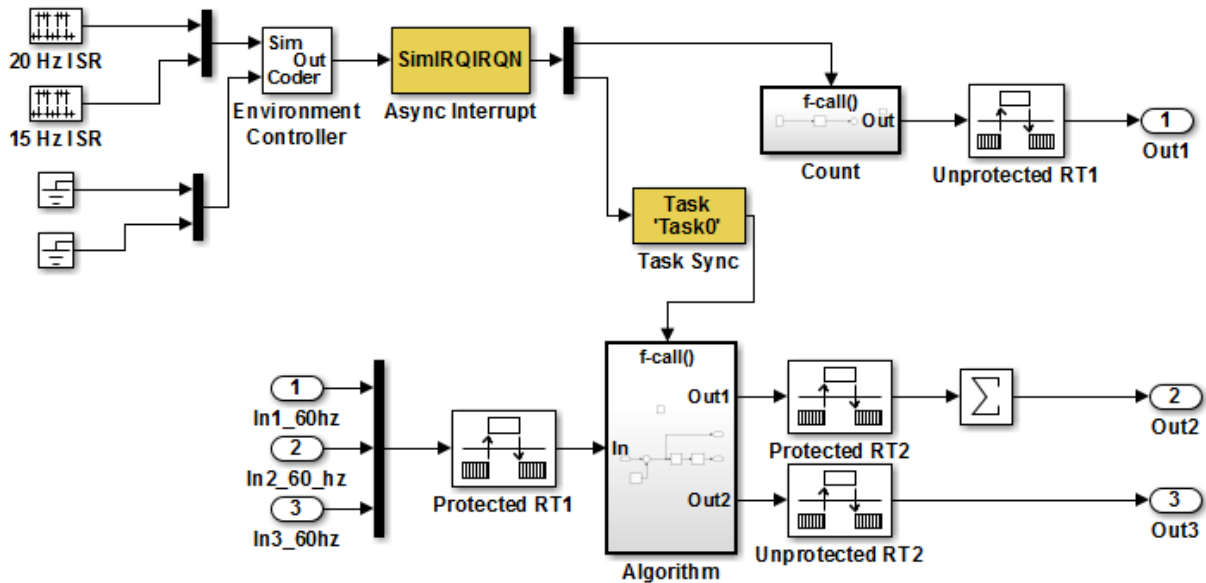
The operating system integration techniques that are demonstrated in this example use one or more blocks the blocks in the `vxlib1` library. These blocks provide starting point examples to help you develop custom blocks for your target environment.



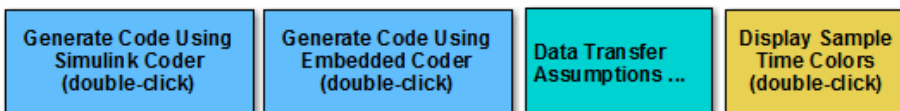
## Example Model

Open the `rtwdemo_vxworks` model.

```
model = 'rtwdemo_vxworks';
open_system(model);
%
```



This model shows how to simulate and generate code for asynchronous events on a real-time multitasking system. This model contains two asynchronously executed subsystems, "Count" and "Algorithm." "Count" is executed at interrupt level, whereas "Algorithm" is executed in an asynchronous task. The code generated for these blocks is specifically tailored for the VxWorks operating system. However, you can modify the Async Interrupt and Task Sync blocks to generated code specific to your environment whether you are using an operating system or not.



### Model Description

The example model contains two asynchronously executed subsystems, `Count` and `Algorithm`. `Count` executes at interrupt level. `Algorithm` executes in an asynchronous task. The generated code for these blocks is tailored for the VxWorks® operating system. However, you can modify the `Async Interrupt` and `Task Sync` blocks to generate code for your run-time environment whether you are using an operating system or not.

### Related Information

- Async Interrupt
- Task Sync
- “Generate Interrupt Service Routines”
- “Use Timers in Asynchronous Tasks”
- “Create a Customized Asynchronous Library”
- “Import Asynchronous Event Data for Simulation”
- “Load Data to Root-Level Input Ports”
- “Asynchronous Events”
- “Rate Transitions and Asynchronous Blocks”
- “Asynchronous Support Limitations”

### Multirate Modeling in Multitasking Mode (VxWorks® OS)

This example generates code for a multirate discrete-time model configured for a multitasking operating system target (VxWorks®). The model contains two sample times. Inport block 1 and Inport block 2 specify 1-second and 2-second sample times, respectively, which are enforced by the **Periodic sample time constraint** solver configuration parameter setting. The solver is set for multitasking operation, which means a Rate Transition block is required to ensure that data integrity is enforced when the 1-second task preempts the 2-second task. Simulink® and the code generator enforce proper rate transitions. This model specifies an explicit Rate Transition block. Alternatively, you can instruct Simulink® to insert this block for you by setting the **Automatically handle data transfers between tasks** solver configuration parameter.

The model is configured to display sample-time colors upon diagram update. Red represents the fastest discrete sample time in the model, green represents the second

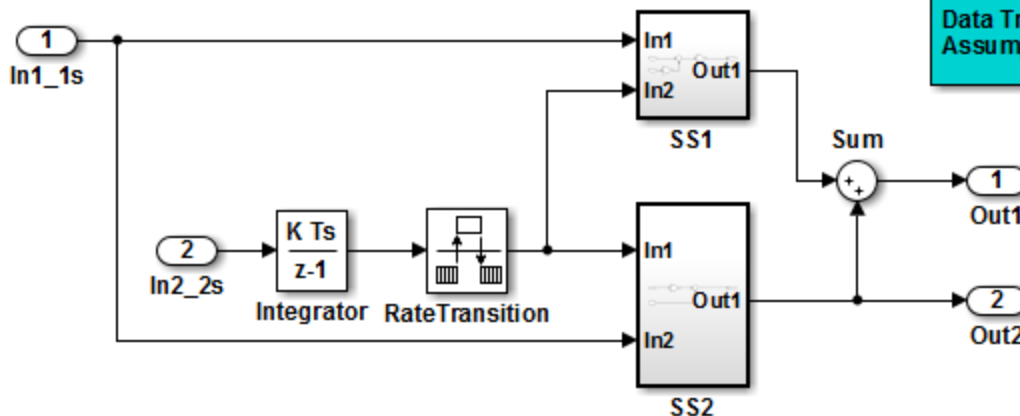
fastest, and yellow represents mixed sample times. Click the **Display Sample Time Colors** button to update the diagram and show sample-time colors.

### **Example Model**

```
model = 'rtwdemo_mrmtos';  
open_system(model);
```

The model is configured to display sample-time colors upon diagram update. Red represents the fastest discrete sample time in the model, green represents the second fastest, and yellow represents mixed sample times. Click the yellow button to the right to update the diagram and show sample-time colors.

Display Sample Time Colors (double-click)



Data Transfer Assumptions ...

This model shows the code generated for a multirate discrete-time model configured for a multitasking operating system target (VxWorks). The model contains two sample times. Inport block 1 and Inport block 2 specify 1-second and 2-second sample times, respectively, which are enforced by the "Periodic sample time constraint" option on the Solver configuration page. The solver is set for multitasking operation, which means a rate transition block is required to ensure that data integrity is enforced when the 1-second task preempts the 2-second task. Proper rate transitions are always enforced by Simulink and Simulink Coder. This model specifies an explicit rate transition block. Alternatively, this block could be automatically inserted by Simulink using the "Automatically handle data transfers between tasks" option on the Solver configuration page.

This example uses an Embedded Coder feature to generate an example VxWorks main (i.e., "Target operating system" on the Template configuration page.) Simulink Coder also supports VxWorks via the Tornado target.

Generate Code Using Embedded Coder (double-click)

View Solver Configuration (double-click)

Copyright 1994-2012 The MathWorks, Inc.

# Export Code Generated from Model to External Application

---

- “Export Function-Call Subsystems” on page 23-2
- “Control Generation of Function Prototypes” on page 23-16
- “Control Generation of C++ Class Interfaces” on page 23-18

## Export Function-Call Subsystems

Export a function-call subsystem when you want the code generator to produce function code that includes no supporting scheduling code. You might refer to the resulting code as a standalone function.

### In this section...

“Exporting Function-Call Subsystems” on page 23-2

“Requirements for Exporting Function-Call Subsystems” on page 23-3

“Techniques for Exporting Function-Call Subsystems” on page 23-5

“Optimize Exported Function-Call Subsystems” on page 23-7

“Export Functions That Depend on Elapsed Time” on page 23-7

“Generate Code for Functions Exported to a Larger System” on page 23-8

“Function-Call Subsystems Export Limitations” on page 23-14

## Exporting Function-Call Subsystems

Embedded Coder software provides code export capabilities that you can use to

- Automatically generate code for
  - A function-call subsystem that contains only blocks that support code generation
  - A virtual subsystem that contains only such subsystems and a few other types of blocks
- Create a SIL block that represents generated code

You can use these capabilities only if the subsystem and its interface to the Simulink model conform to certain requirements and constraints, as described in “Requirements for Exporting Function-Call Subsystems” on page 23-3. For limitations that apply, see “Function-Call Subsystems Export Limitations” on page 23-14. To see an example of exported function-call subsystems, type `rtwdemo_export_functions` in the MATLAB Command Window.

---

**Note:** For models designed in earlier releases, Embedded Coder software also supports the ability to export functions from triggered subsystems. In general, the requirements

and limitations stated for exporting functions from function-call subsystems also apply to exporting functions from triggered subsystems, with the following exceptions:

- Triggered subsystems from which you intend to export functions must be encapsulated in a single top-level virtual subsystem.
  - Triggered subsystems do not have to meet the requirements in “Requirements for Exported Virtual Subsystems” on page 23-4.
  - The section “Export Functions That Depend on Elapsed Time” on page 23-7 is not applicable to exporting functions from triggered subsystems.
- 

### **Additional Information**

See the following in the Simulink documentation for additional information relating to exporting function-call subsystems:

- “Systems and Subsystems”
- “Signals”
- “Create a Triggered Subsystem”
- “Function-Call Subsystems and S-Functions”
- “Host-Specific Code”

If you want to use Stateflow blocks to trigger exportable function-call subsystems, you may also need information from “Interface with Simulink”.

## **Requirements for Exporting Function-Call Subsystems**

To be exportable as code, a function-call subsystem, or a virtual subsystem that contains such subsystems, must meet certain requirements. Most requirements are similar for either type of export, but some apply only to virtual subsystems. The requirements for Simulink code generation also apply.

For brevity, *exported subsystem* in this section means only an exported function-call subsystem or an exported virtual subsystem that contains such subsystems. The requirements listed do not necessarily apply to other types of exported subsystems.

### **Requirements for Exported Subsystems**

These requirements apply to both exported function-call subsystems and exported virtual subsystems that contain such subsystems.

- Blocks must support code generation.

All blocks within an exported subsystem must support code generation. However, blocks outside the subsystem need not support code generation unless they will be converted to code in some other context.

- Blocks must not use absolute time.

Some blocks use absolute time. Blocks that use absolute time are not supported in exported function-call subsystems. For a complete list of such blocks, see “Absolute Time Limitations” in the Simulink Coder documentation.

- Blocks must not depend on elapsed time.

Some blocks, like the Sine Wave and Discrete Integrator blocks, depend on elapsed time. If an exported function-call subsystem contains a block that depends on elapsed time, the subsystem must specify periodic execution. See “Export Functions That Depend on Elapsed Time” on page 23-7 in the Simulink Coder documentation.

- Trigger signals require a common source.

If multiple trigger signals cross the boundary of an exported system, all of the trigger signals must be periodic and originate from the same function-call initiator.

- Trigger signals must be scalar.

A trigger signal that crosses the boundary of an exported subsystem must be scalar. Input and output data signals that do not act as triggers need not be scalar.

- Data signals must be nonvirtual.

A data signal that crosses the boundary of an exported system cannot be a virtual bus, and cannot be implemented as a `Goto-From` connection. Every data signal crossing the export boundary must be scalar, muxed, or a nonvirtual bus.

### **Requirements for Exported Virtual Subsystems**

These requirements apply only to exported virtual subsystems that contain function-call subsystems.

- Virtual subsystem must use only permissible blocks.

The top level of an exported virtual subsystem that contains function-call subsystem blocks can contain only the following other types of blocks:

- Input and Output blocks (ports)



- Constant blocks (including blocks that resolve to constants, such as Add)
- Merge blocks
- Virtual connection blocks (Mux, Demux, Bus Creator, Bus Selector, Signal Specification)
- Signal-viewer blocks, such as Scope blocks

These restrictions do *not* apply within function-call subsystems, whether or not they appear in a virtual subsystem. They apply only at the top level of an exported virtual subsystem that contains one or more function-call subsystems.

- Constant blocks must be inlined.

When a constant block appears at the top level of an exported virtual subsystem, the containing model must set **Default parameter behavior** to **Inlined** on the **Optimization > Signals and Parameters** pane of the Configuration Parameters dialog box.

- Constant outputs must specify a storage class.

When a constant signal drives an output port of an exported virtual subsystem, the signal must specify a storage class.

## Techniques for Exporting Function-Call Subsystems

- “General Workflow” on page 23-5
- “Specify a Custom Initialize Function Name” on page 23-6
- “Specify a Custom Description” on page 23-6

### General Workflow

To export a function-call subsystem, or a virtual subsystem that contains function-call subsystems,

- 1 Check that the subsystem to be exported satisfies the “Requirements for Exporting Function-Call Subsystems” on page 23-3.
- 2 In the Configuration Parameters dialog box:
  - a On the **Code Generation** pane, specify an ERT code generation target such as `ert.tlc`.

- b** If you want a SIL block with the generated code, from the **Configuration Parameters > All Parameters > Create block** drop-down list, select **SIL**.
  - c** Click **OK** or **Apply**.
- 3** Right-click the subsystem block and choose **C/C++ Code > Export Functions** from the context menu.

The **Build code for subsystem: *Subsystem*** dialog box appears. This dialog box is not specific to exporting function-call subsystems, and generating code does not require entering information in the box.

- 4** Click **Build**.

The MATLAB Command Window displays messages similar to the code generation sequence. Simulink generates code and places it in the working folder.

If you set **Create block** to **SIL** in step 2b, Simulink opens a new window that contains an S-function block that represents the generated code. This block has the same size, shape, and connectors as the original subsystem.

Code generation and optional block creation are now complete. You can test and use the code and optional block as you could for generated ERT code and S-function block.

### Specify a Custom Initialize Function Name

You can specify a custom name for the initialize function of your exported function as an argument to the `rtwbuild` command. When used for this purpose, the command takes the following form:

```
blockHandle = rtwbuild('subsystem', 'Mode', 'ExportFunctionCalls', ..  
                    'ExportFunctionInitializeFunctionName', 'fcname')
```

where *fcname* specifies the desired function name. For example, if you specify the name 'myinitfcn', the build process emits code similar to the following:

```
/* Model initialize function */  
void myinitfcn(void){  
    ...  
}
```

### Specify a Custom Description

You can enter a custom description for an exported function using the Block Properties dialog box of an Inport block. To do this, go to the subsystem that is to be exported as

a function, right-click on the Inport block that drives the control port of the subsystem, and select **Properties**. In the **General** tab, use the **Description** field to enter your descriptive text. During function export, the text you enter is emitted to the generated code in the header for the Inport block. For example, if you open the example program `rtwdemo_exporting_functions` and enter a description in the Block Properties dialog box for port `t_1tic_A`, code similar to the following is emitted:

```
/*
 * Output and update for exported function: t_1tic_A
 *
 * My custom description of the exported function
 */
void t_1tic_A(void)
{
    ...
}
```

## Optimize Exported Function-Call Subsystems

To optimize the code generated for a function-call subsystem or virtual block that contains such subsystems, you can

- Specify a storage class for every input signal and output signal that crosses the boundary of the subsystem.
- For each function-call subsystem to be exported (whether directly or within a virtual subsystem):
  - 1 Right-click the subsystem and choose **Block Parameters (Subsystem)** from the context menu.
  - 2 Select the **Code Generation** tab and set the **Function packaging** parameter to **Auto**.
  - 3 Click **OK** or **Apply**.

## Export Functions That Depend on Elapsed Time

Some blocks, such as the **Sine Wave** block (if sample-based) and the **Discrete-Time Integrator** block, depend on elapsed time. See “Absolute and Elapsed Time Computation” in the Simulink Coder documentation for more information.

When a block that depends on elapsed time exists in a function-call subsystem, the subsystem cannot be exported unless it specifies periodic execution. To specify for this:

- 1 Right-click the **Trigger** block in the function-call subsystem and choose **Block Parameters** from the context menu.
- 2 Specify **periodic** in the **Sample time type** field.
- 3 Set the **Sample time** to the same granularity specified (directly or by inheritance) in the function-call initiator.
- 4 Click **OK** or **Apply**.

## Generate Code for Functions Exported to a Larger System

This example shows how to generate function code for individual Simulink function blocks or function-call subsystems without generating scheduling code.

To generate function code for export:

- 1 Create a model that contains the functions for export.
- 2 Create a test harness model that schedules execution of the functions during simulation.
- 3 Simulate the model that contains the functions by using the test harness model.
- 4 Generate code for the model that contains the functions.

### Create Model That Contains Functions for Export

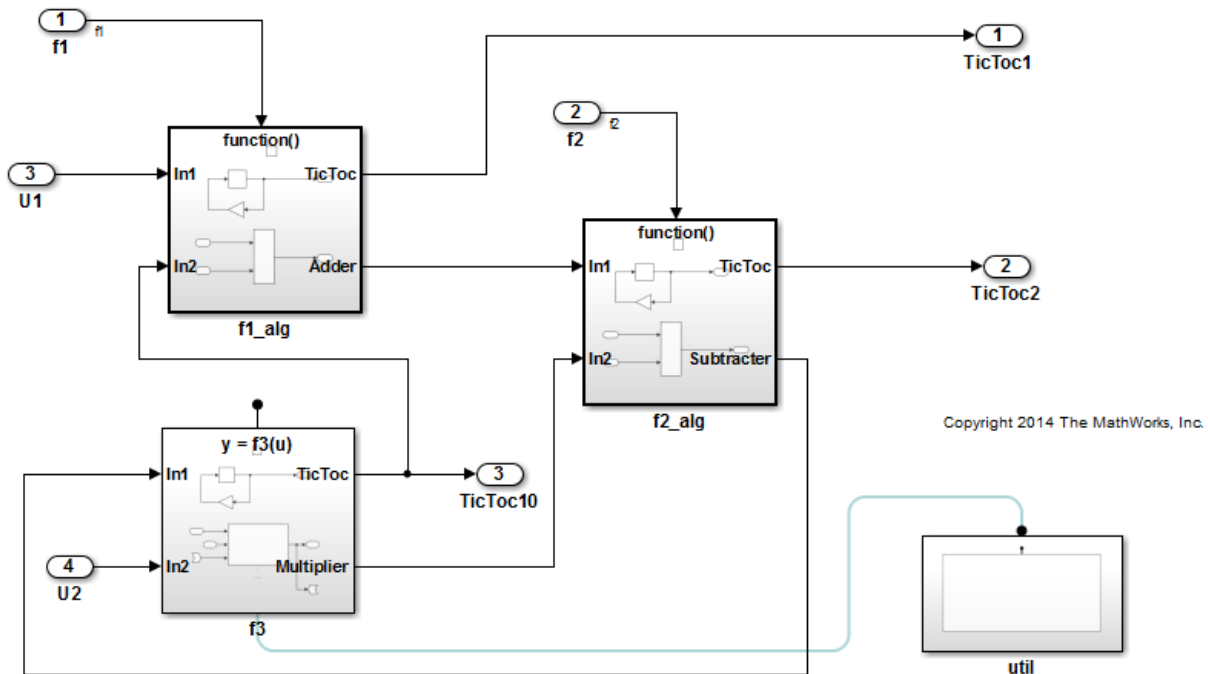
The model with functions for export must satisfy architectural constraints at the model root level. Blocks that are valid at the root level are:

- Inport
- Outport
- Function-Call Subsystem
- Simulink Function
- Goto
- From
- Merge

The code generator produces function code for Function-Call Subsystem and Simulink Function blocks. For a Function-call Subsystem block, you connect the block input ports to root Inport blocks that assert function-call signals. The subsystem executes based on the function-call signal that it receives. A Simulink Function block executes in response to the execution of a corresponding Function Caller block or Stateflow chart.

Model `rtwdemo_functions` contains two function-call subsystems (`f1_alg` and `f2_alg`) and a Simulink Function block (`f3_alg`) for exporting functions.

```
open_system('rtwdemo_functions')
```



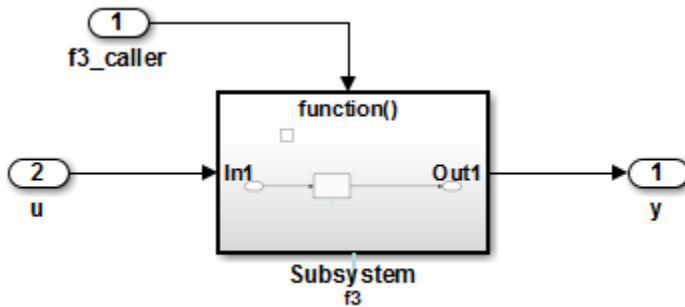
### Create Model That Contains Function Caller

Use a Function Caller block to invoke a Simulink Function block. The Function Caller block can be in the same model as the Simulink Function block or in a different model.

Multiple Function Caller blocks can invoke a Simulink Function block. You can place the Function Caller block inside a function-call subsystem. During code generation, the code generator exports a function from the function-call subsystem.

The model `rtwdemo_caller` exports a function-call subsystem that contains a Function Caller block.

```
open_system('rtwdemo_caller')
```



Copyright 2014 The MathWorks, Inc.

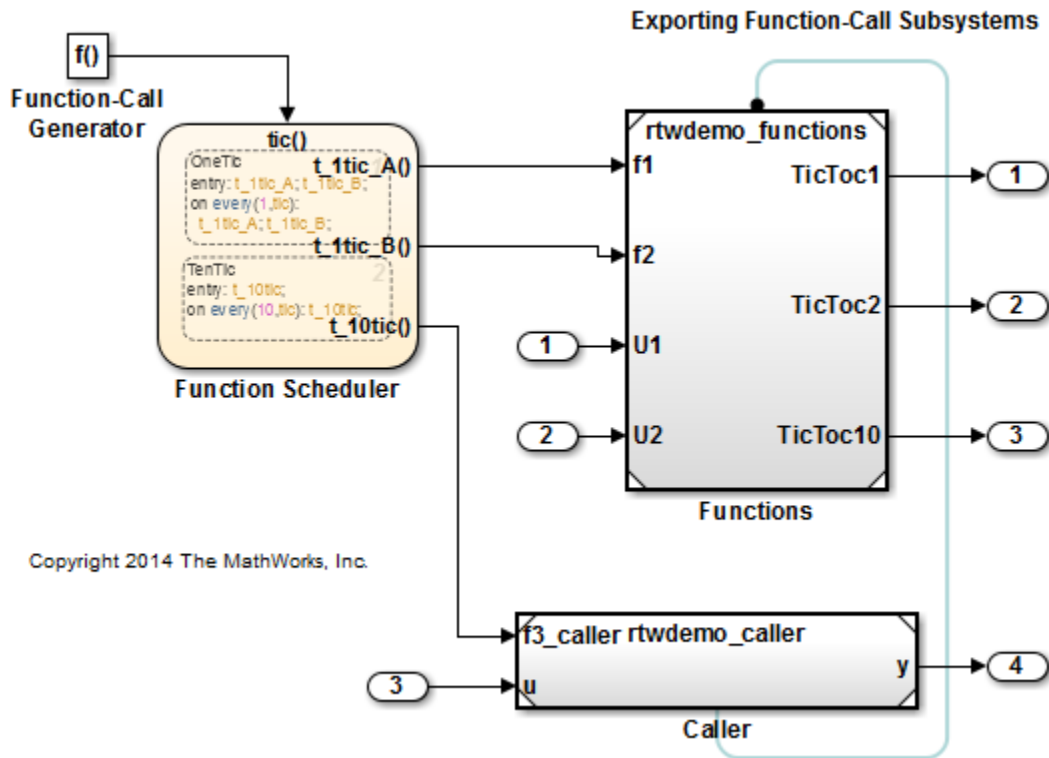
### Create Test Harness Model for Simulation

When you export functions, the generated code does not include a scheduler. Create a test harness model to handle scheduling during simulation. Do not use the test harness model to generate code that you deploy.

Model `rtwdemo_export_functions` is a test harness. The model:

- Schedules the Simulink Function block with the Function Caller block in `rtwdemo_caller`.
- Provides function-call signals to other models in this example to schedule the model contents.

```
open_system('rtwdemo_export_functions')
```



### Simulate the Test Harness Model

Verify that the model containing the functions that you want to export executes as you expect by simulating the test harness model. For example, simulate `rtwdemo_export_functions`.

```
sim('rtwdemo_export_functions')
```

### Generate Function Code and Report

Generate code and a code generation report for the functions that you want to export. For example, generate code for `rtwdemo_functions`.

```
rtwbuild('rtwdemo_functions')
```

```
### Starting build procedure for model: rtwdemo_functions  
### Successful completion of code generation for model: rtwdemo_functions
```

### Review Generated Code

From the code generation report, review the generated code.

- `ert_main.c` is an example main program (execution framework) for the model. This code shows how to call the exported functions. The code also shows how to initialize and execute the generated code.
- `rtwdemo_functions.c` calls the initialization function and exported functions for model components `f1_alg`, `f2_alg`, and `f3_alg`.
- `rtwdemo_functions.h` declares model data structures and a public interface to the exported entry-point functions and data structures.
- `f3.h` is a shared file that declares the call interface for the Simulink function `f3_alg`.
- `rtwtypes.h` defines data types, structures, and macros that the generated code requires.

### Code Interface

Open and review the Code Interface Report. To write the interface code for your execution framework, use the information in that report.

- 1 Include the generated header files by adding directives `#include rtwdemo_functions.h`, `#include f3.h`, and `#include rtwtypes.h`.
- 2 Write input data to the generated code for model Inport blocks.
- 3 Call the generated entry-point functions.
- 4 Read data from the generated code for model Outport blocks.

Input ports:

- `rtU.U1` of type `real_T` with dimension 1
- `rtU.U2` of type `real_T` with dimension 1

Entry-point functions:

- Initialize entry-point function, `void rtwdemo_functions_initialize(void)`. At startup, call this function once.



- Exported function, `void f1(void)`. Call this function as needed.
- Exported function, `void f2(void)`. Call this function as needed.
- Simulink function, `void f3(real_T rtu_u, real_T *rtty_y)`. Call this function as needed.

Output ports:

- `rtY.TicToc1` of type `int8_T` with dimension [2]
- `rtY.TicToc2` of type `int8_T` with dimension [2]
- `rtY.TicToc10` of type `int8_T` with dimension 1

### Create Model with Functions for Export with C++ Class Generation

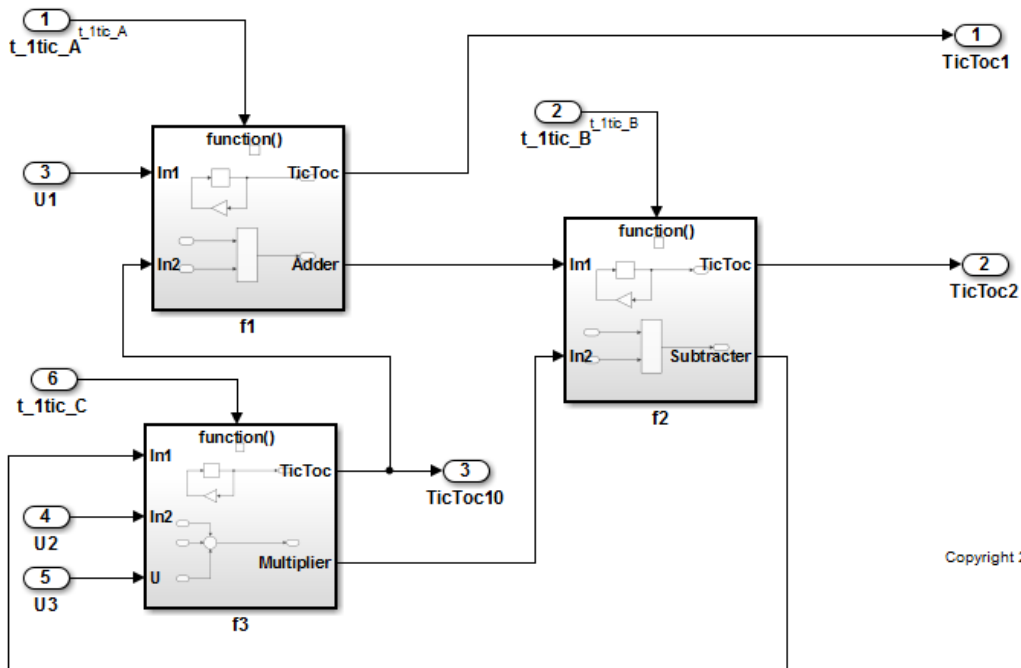
You can use exported functions with a C++ model class interface. For C++ class generation, blocks that are valid at the model root level are:

- Inport
- Outport
- Function-Call Subsystem
- Goto
- From
- Merge

When generating C++ code, the code generator produces public class methods for Function-Call Subsystem blocks. For a Function-call Subsystem block, you connect the block input ports to root Inport blocks that produce function-call signals.

Model `rtwdemo_cppclass_functions` exports functions as C++ code. The model is a modified version of `rtwdemo_functions`.

```
open_system('rtwdemo_cppclass_functions');
```



Copyright 2016 The MathWorks, Inc.

### More About

- “Export Function-Call Subsystems”
- “Deploy Generated Standalone Executables To Target Hardware”
- “Customize Code Organization and Format”
- “Modeling Functions and Callers for Code Generation”
- “Generate Code for Functions and Callers”

Close Example Models

```
bdclose('rtwdemo_export_functions')
bdclose('rtwdemo_functions')
bdclose('rtwdemo_caller')
bdclose('rtwdemo_cppclass_functions')
```

### Function-Call Subsystems Export Limitations

The function-call subsystem export has the following limitations:

- Subsystem block parameters do not control the names of the files containing the generated code. Such file names begin with the name of the exported subsystem.
- Subsystem block parameters do not control the names of top-level functions in the generated code. Each function name reflects the name of the signal that triggers the function or (for an unnamed signal) reflects the block from which the signal originates.
- The software cannot export reusable code for a function-call subsystem. The **Code interface packaging** value `Reusable` function does not apply for a function-call subsystem.
- You can export function-call systems for the C++ class code interface packaging only when its function specification is set to **Default step method**. For more information, see “Control Generation of C++ Class Interfaces” on page 12-23. The exported function is compatible with single-threaded execution. To avoid potential data race conditions for shared signals, all members for the class should be invoked from the same execution thread.
- The software supports a SIL or PIL block in accelerator mode only if its function-call initiator is noninlined in accelerator mode. Examples of noninlined initiators include Stateflow charts.
- The SIL block must be driven by a Level-2 S-function initiator block, such as a Stateflow chart or the built-in Function-Call Generator block.
- An asynchronous (sample-time) function-call system can be exported, but the software does not support the SIL or PIL block for an asynchronous system.
- The software does not support MAT-file logging for exported function calls. Specifications that enable MAT-file logging are ignored.
- The use of the TLC function `LibIsFirstInit` has been removed for exported function calls.

## Control Generation of Function Prototypes

The Embedded Coder software provides a **Configure Model Functions** button, located on the **Code Generation > Interface** pane of the Configuration Parameters dialog box, that allows you to control the model function prototypes that are generated for ERT-based Simulink models.

By default, the function prototype of an ERT-based model's generated *model\_step* function resembles the following:

```
void model_step(void);
```

The function prototype of an ERT-based model's generated *model\_initialize* function resembles the following:

```
void model_initialize(void);
```

(For more detailed information about the default calling interface for the *model\_step* function, see the *model\_step* reference page.)

The **Configure Model Functions** button on the **Interface** pane provides you flexible control over the model function prototypes that are generated for your model. Clicking **Configure Model Functions** launches a Model Interface dialog box. Based on the **Function specification** value you specify for your model function (supported values include `Default model initialize and step functions` and `Model specific C prototypes`), you can preview and modify the function prototypes. Once you validate and apply your changes, you can generate code based on your function prototype modifications.

For more information about using the **Configure Model Functions** button and the Model Interface dialog box, see “Sample Procedure for Configuring Function Prototypes” on page 12-11 and the example model `rtwdemo_fcncnprotoctrl`, which is preconfigured to demonstrate function prototype control.

Alternatively, you can use function prototype control functions to programmatically control model function prototypes. For more information, see “Configure Function Prototypes Programmatically” on page 12-16 “Configure Function Prototypes Programmatically” on page 12-16.

You can also control model function prototypes for nonvirtual subsystems, if you generate subsystem code using right-click build. To launch the **Model Interface for subsystem** dialog box, use the `RTW.configSubsystemBuild` function.

Right-click building the subsystem generates the step and initialization functions according to the customizations you make. For more information, see “Configure Function Prototypes for Nonvirtual Subsystems” on page 12-9.

For limitations that apply, see “Function Prototype Control Limitations” on page 12-21.

## Control Generation of C++ Class Interfaces

Using the **Code interface packaging** option `C++ class`, on the **Code Generation > Interface** pane of the Configuration Parameters dialog box, you can generate a C++ class interface to model code. The generated interface encapsulates required model data into C++ class attributes and model entry point functions into C++ class methods. The benefits of C++ class encapsulation include:

- Greater control over access to model data
- Ability to multiply instantiate model classes
- Easier integration of model code into C++ programming environments

C++ class encapsulation also works for right-click builds of nonvirtual subsystems. (For information on requirements that apply, see “Configure C++ Class Interfaces for Nonvirtual Subsystems” on page 12-44.)

The general procedure for generating C++ class interfaces to model code is as follows:

- 1 Configure your model to use an `ert.tlc` system target file provided by MathWorks.
- 2 Select the C++ language for your model.
- 3 Select `C++ class` code interface packaging for your model.
- 4 Optionally, configure related C++ class interface settings for your model code, using either a graphical user interface (GUI) or application programming interface (API).
- 5 Generate model code and examine the results.

To get started with an example, see “Simple Use of C++ Class Control” on page 12-24. For more details about configuring C++ class interfaces for your model code, see “Customize C++ Class Interfaces Using Graphical Interfaces” on page 12-30 and “Customize C++ Class Interfaces Programmatically” on page 12-45. For limitations that apply, see “C++ Class Interface Control Limitations” on page 12-50.

---

**Note:** For an example of C++ class code generation, see the example model `rtwdemo_cppclass`.

---

# Code Replacement Customization for Simulink Models

---

- “What Is Code Replacement Customization?” on page 24-3
- “Code You Can Replace From Simulink Models” on page 24-4
- “Code Replacement Match and Replacement Process” on page 24-22
- “Code Replacement Customization Limitations” on page 24-23
- “Develop a Code Replacement Library” on page 24-26
- “Quick Start Library Development” on page 24-27
- “Identify Code Replacement Requirements” on page 24-37
- “Prepare for Code Replacement Library Development” on page 24-40
- “Define Code Replacement Mappings” on page 24-42
- “Specify Build Information for Replacement Code” on page 24-59
- “Register Code Replacement Mappings” on page 24-68
- “Troubleshoot Code Replacement Library Registration” on page 24-76
- “Code Replacement Hits and Misses” on page 24-77
- “Verify Code Replacements” on page 24-78
- “Troubleshoot Code Replacement Misses” on page 24-88
- “Deploy Code Replacement Library” on page 24-96
- “Math Function Code Replacement” on page 24-97
- “Memory Function Code Replacement” on page 24-99
- “Nonfinite Function Code Replacement” on page 24-102
- “Semaphore and Mutex Function Replacement” on page 24-105
- “Algorithm-Based Code Replacement” on page 24-112
- “Lookup Table Function Code Replacement” on page 24-115
- “Data Alignment for Code Replacement” on page 24-136

- “Replace MATLAB Functions with Custom Code Using `coder.replace`” on page 24-147
- “Replace `coder.ceval` Calls to External Functions” on page 24-149
- “Replace MATLAB Functions Specified in MATLAB Function Blocks” on page 24-155
- “Reserved Identifiers and Code Replacement” on page 24-159
- “Customize Match and Replacement Process” on page 24-161
- “Customize Code Match and Replacement for Functions” on page 24-163
- “Scalar Operator Code Replacement” on page 24-167
- “Addition and Subtraction Operator Code Replacement” on page 24-170
- “Small Matrix Operation to Processor Code Replacement” on page 24-175
- “Matrix Multiplication Operation to MathWorks BLAS Code Replacement” on page 24-180
- “Matrix Multiplication Operation to ANSI/ISO C BLAS Code Replacement” on page 24-188
- “Remap Operator Output to Function Input” on page 24-195
- “Fixed-Point Operator Code Replacement” on page 24-198
- “Binary-Point-Only Scaling Code Replacement” on page 24-208
- “Slope Bias Scaling Code Replacement” on page 24-212
- “Net Slope Scaling Code Replacement” on page 24-216
- “Equal Slope and Zero Net Bias Code Replacement” on page 24-224
- “Data Type Conversions (Casts) and Operator Code Replacement” on page 24-228
- “Shift Left Operations and Code Replacement” on page 24-233
- “Customize Code Match and Replacement for Scalar Operations” on page 24-238
- “Customize Code Match and Replacement for Nonscalar Operations” on page 24-244



## What Is Code Replacement Customization?

Customize how and when the code generator replaces C/C++ code that it generates by default for functions and operators by developing a custom code replacement library. You can develop libraries interactively with the Code Replacement Tool or programmatically.

- Develop libraries tailored to specific application requirements
- Add identifiers to the list of reserved keywords the code generator considers during code replacement
- Customize the code generator's match and replacement process for functions

To get started, “Quick Start Library Development” on page 24-27.

### Related Examples

- “Quick Start Library Development” on page 24-27
- “Develop a Code Replacement Library” on page 24-26
- “Optimize Generated Code By Developing and Using Code Replacement Libraries - Simulink®”

### More About

- “What Is Code Replacement?” on page 20-2
- “Code You Can Replace From Simulink Models” on page 20-4
- “Code Replacement Libraries” on page 20-23
- “Code Replacement Terminology” on page 20-25
- “Code Replacement Customization Limitations” on page 24-23

## Code You Can Replace From Simulink Models

Code that the code generator replaces depends on the code replacement library (CRL) that you use. By default, the code generator does not apply a code replacement library. Your choice of libraries is dependent on product licensing and whether you have access to custom libraries.

For information on how to explore functions and operators that a code replacement library supports, see “Choose a Code Replacement Library” on page 20-32. If you want to develop a custom code replacement library, see Code Replacement Customization.

### In this section...

“Math Functions – Simulink Support” on page 24-4

“Math Functions – Stateflow Support” on page 24-10

“Memory Functions” on page 24-15

“Nonfinite Functions” on page 24-16

“Mutex and Semaphore Functions” on page 24-17

“Operators” on page 24-18

## Math Functions – Simulink Support

When generating C/C++ code from a Simulink model, depending on code replacement libraries available in your development environment, you can configure the code generator to replace instances of the following math functions with application-specific implementations.

Function	Data Type Support	Scalar, Vector, Matrix Support	Real, Complex Support
abs <sup>1</sup>	Integer Floating point Fixed point	Scalar Vector Matrix	Real
acos	Floating point	Scalar	Real Complex input/complex output Real input/complex output
acosd <sup>2</sup>	Floating point	Scalar Vector	Real Complex

Function	Data Type Support	Scalar, Vector, Matrix Support	Real, Complex Support
		Matrix	
acosh	Floating point	Scalar Vector Matrix	Real Complex input/complex output Real input/complex output
acot <sup>2</sup>	Floating point	Scalar Vector Matrix	Real Complex
acotd <sup>2</sup>	Floating point	Scalar Vector Matrix	Real Complex
acoth <sup>2</sup>	Floating point	Scalar Vector Matrix	Real Complex
acsc <sup>2</sup>	Floating point	Scalar Vector Matrix	Real Complex
acscd <sup>2</sup>	Floating point	Scalar Vector Matrix	Real Complex
acsch <sup>2</sup>	Floating point	Scalar Vector Matrix	Real Complex
asec <sup>2</sup>	Floating point	Scalar Vector Matrix	Real Complex
asecd <sup>2</sup>	Floating point	Scalar Vector Matrix	Real Complex
asech <sup>2</sup>	Floating point	Scalar Vector Matrix	Real Complex

Function	Data Type Support	Scalar, Vector, Matrix Support	Real, Complex Support
asin	Floating point	Scalar	Real Complex input/complex output Real input/complex output
asind <sup>2</sup>	Floating point	Scalar Vector Matrix	Real Complex
asinh	Floating point	Scalar Vector Matrix	Real Complex input/complex output Real input/complex output
atan	Floating point	Scalar Vector Matrix	Real Complex input/complex output Real input/complex output
atan2	Floating point	Scalar Vector Matrix	Real
atan2d <sup>2</sup>	Floating point	Scalar Vector Matrix	Real
atand <sup>2</sup>	Floating point	Scalar Vector Matrix	Real Complex
atanh	Floating point	Scalar Vector Matrix	Real Complex input/complex output Real input/complex output
ceil	<ul style="list-style-type: none"> <li>• Floating-point</li> <li>• Scalar</li> </ul>	<ul style="list-style-type: none"> <li>• Floating-point</li> <li>• Scalar</li> </ul>	<ul style="list-style-type: none"> <li>• Floating-point</li> <li>• Scalar</li> </ul>
cos <sup>3</sup>	Floating point	Scalar Vector Matrix	Real Complex input/complex output Real input/complex output
cosd <sup>2</sup>	Floating point	Scalar Vector Matrix	Real Complex

Function	Data Type Support	Scalar, Vector, Matrix Support	Real, Complex Support
cosh	Floating point	Scalar Vector Matrix	Real Complex input/complex output Real input/complex output
cot <sup>2</sup>	Floating point	Scalar Vector Matrix	Real Complex
cotd <sup>2</sup>	Floating point	Scalar Vector Matrix	Real Complex
coth <sup>2</sup>	Floating point	Scalar Vector Matrix	Real Complex
csc <sup>2</sup>	Floating point	Scalar Vector Matrix	Real Complex
cscd <sup>2</sup>	Floating point	Scalar Vector Matrix	Real Complex
csch <sup>2</sup>	Floating point	Scalar Vector Matrix	Real Complex
exactrSqrt	Integer Floating point	Scalar	Real
exp	Floating point	Scalar Vector Matrix	Real
fix	Floating point	Scalar	Real
floor	• Floating-point • Scalar	• Floating-point • Scalar	• Floating-point • Scalar
fmod <sup>4</sup>	Floating point	Scalar	Real
frexp	Floating point	Scalar	Real

<b>Function</b>	<b>Data Type Support</b>	<b>Scalar, Vector, Matrix Support</b>	<b>Real, Complex Support</b>
hypot	Floating point	Scalar Vector Matrix	Real
ldexp	Floating point	Scalar	Real
ln	Floating point	Scalar	Real
log	Floating point	Scalar Vector Matrix	Real
log10	Floating point	Scalar Vector Matrix	Real
log2 <sup>2</sup>	Floating point	Scalar Vector Matrix	Real Complex
max	Integer Floating point Fixed point	Scalar	Real
min	Integer Floating point Fixed point	Scalar	Real
mod	Integer Floating point	Scalar Vector Matrix	Real
pow	Floating point	Scalar Vector Matrix	Real
rem	Floating point	Scalar Vector Matrix	Real
round	Floating point	Scalar	Real

Function	Data Type Support	Scalar, Vector, Matrix Support	Real, Complex Support
rSqrt	Integer Floating point	Scalar Vector Matrix	Real
saturate	Integer Floating point Fixed point	Scalar Vector Matrix	Real
sec <sup>2</sup>	Floating point	Scalar Vector Matrix	Real Complex
secd <sup>2</sup>	Floating point	Scalar Vector Matrix	Real Complex
sech <sup>2</sup>	Floating point	Scalar Vector Matrix	Real Complex
sign	Integer Floating point Fixed point	Scalar Vector Matrix	Real
signPow	Floating point	Scalar Vector Matrix	Real
sin <sup>3</sup>	Floating point	Scalar Vector Matrix	Real Complex input/complex output Real input/complex output
sincos <sup>3</sup>	Floating point	Scalar Vector Matrix	Real Complex input/complex output Real input/complex output
sind <sup>2</sup>	Floating point	Scalar Vector Matrix	Real Complex
sinh	Floating point	Scalar Vector Matrix	Real Complex input/complex output Real input/complex output

Function	Data Type Support	Scalar, Vector, Matrix Support	Real, Complex Support
sqrt	Integer Floating point Fixed point	Scalar Vector Matrix	Real
tan	Floating point	Scalar Vector Matrix	Real Complex input/complex output Real input/complex output
tand <sup>2</sup>	Floating point	Scalar Vector Matrix	Real Complex
tanh	Floating point	Scalar Vector Matrix	Real Complex input/complex output Real input/complex output
<p><sup>1</sup> Wrap on integer overflow only. Clear block parameter <b>Saturate on integer overflow</b>.</p> <p><sup>2</sup> Only when used with the MATLAB Function block.</p> <p><sup>3</sup> Supports the CORDIC approximation method.</p> <p><sup>4</sup> Stateflow support only.</p>			

## Math Functions – Stateflow Support

When generating C/C++ code from Stateflow charts, depending on code replacement libraries available in your development environment, you can configure the code generator to replace instances of the following math functions with application-specific implementations.

Function	Data Type Support	Scalar, Vector, Matrix Support	Real, Complex Support
abs <sup>1</sup>	Integer Floating point	Scalar	Real
acos <sup>2</sup>	Floating point	Scalar Vector Matrix	Real Complex Complex input/complex output



Function	Data Type Support	Scalar, Vector, Matrix Support	Real, Complex Support
			Real input/complex output
$\text{acosd}^3$	Floating point	Scalar Vector Matrix	Real Complex
$\text{acot}^3$	Floating point	Scalar Vector Matrix	Real Complex
$\text{acotd}^3$	Floating point	Scalar Vector Matrix	Real Complex
$\text{acoth}^{3,5}$	Floating point	Scalar Vector Matrix	Real Complex
$\text{acsc}^3$	Floating point	Scalar Vector Matrix	Real Complex
$\text{acscd}^3$	Floating point	Scalar Vector Matrix	Real Complex
$\text{acsch}^3$	Floating point	Scalar Vector Matrix	Real Complex
$\text{asec}^3$	Floating point	Scalar Vector Matrix	Real Complex
$\text{asecd}^3$	Floating point	Scalar Vector Matrix	Real Complex
$\text{asech}^3$	Floating point	Scalar Vector Matrix	Real Complex

Function	Data Type Support	Scalar, Vector, Matrix Support	Real, Complex Support
asin <sup>2</sup>	Floating point	Scalar Vector Matrix	Real Complex Complex input/complex output Real input/complex output
asind <sup>3</sup>	Floating point	Scalar Vector Matrix	Real Complex
atan <sup>2</sup>	Floating point	Scalar Vector Matrix	Real Complex Complex input/complex output Real input/complex output
atan2 <sup>2</sup>	Floating point	Scalar Vector Matrix	Real
atan2d <sup>3</sup>	Floating point	Scalar Vector Matrix	Real
atand <sup>3</sup>	Floating point	Scalar Vector Matrix	Real Complex
ceil	<ul style="list-style-type: none"> <li>• Floating-point</li> <li>• Scalar</li> </ul>	<ul style="list-style-type: none"> <li>• Floating-point</li> <li>• Scalar</li> </ul>	<ul style="list-style-type: none"> <li>• Floating-point</li> <li>• Scalar</li> </ul>
cos <sup>3</sup>	Floating point	Scalar Vector Matrix	Real Complex Complex input/complex output Real input/complex output
cosd <sup>3</sup>	Floating point	Scalar Vector Matrix	Real Complex

Function	Data Type Support	Scalar, Vector, Matrix Support	Real, Complex Support
$\cosh^2$	Floating point	Scalar Vector Matrix	Real Complex Complex input/complex output Real input/complex output
$\cot^3$	Floating point	Scalar Vector Matrix	Real Complex
$\cotd^3$	Floating point	Scalar Vector Matrix	Real Complex
$\coth^3$	Floating point	Scalar Vector Matrix	Real Complex
$\csc^3$	Floating point	Scalar Vector Matrix	Real Complex
$\cscd^3$	Floating point	Scalar Vector Matrix	Real Complex
$\csch^3$	Floating point	Scalar Vector Matrix	Real Complex
$\exp$	Floating point	Scalar	Real
$\text{floor}$	<ul style="list-style-type: none"> <li>• Floating-point</li> <li>• Scalar</li> </ul>	<ul style="list-style-type: none"> <li>• Floating-point</li> <li>• Scalar</li> </ul>	<ul style="list-style-type: none"> <li>• Floating-point</li> <li>• Scalar</li> </ul>
$\text{fmod}$	Floating point	Scalar	Real
$\text{hypot}^3$	Floating point	Scalar Vector Matrix	Real
$\text{ldexp}$	Floating point	Scalar	Real

Function	Data Type Support	Scalar, Vector, Matrix Support	Real, Complex Support
$\log^2$	Floating point	Scalar Vector Matrix	Real Complex
$\log_{10}^2$	Floating point	Scalar Vector Matrix	Real Complex
$\log_2^3$	Floating point	Scalar Vector Matrix	Real Complex
max	Integer Floating point	Scalar	Real
min	Integer Floating point	Scalar	Real
pow	Floating point	Scalar	Real
$\sec^3$	Floating point	Scalar Vector Matrix	Real Complex
$\secd^3$	Floating point	Scalar Vector Matrix	Real Complex
$\sech^3$	Floating point	Scalar Vector Matrix	Real Complex
$\sin^2$	Floating point	Scalar Vector Matrix	Real Complex Complex input/complex output Real input/complex output
$\sind^3$	Floating point	Scalar Vector Matrix	Real Complex

Function	Data Type Support	Scalar, Vector, Matrix Support	Real, Complex Support
$\sinh^2$	Floating point	Scalar Vector Matrix	Real Complex Complex input/complex output Real input/complex output
$\sqrt{\phantom{x}}$	Floating point	Scalar	Real
$\tan^2$	Floating point	Scalar Vector Matrix	Real Complex Complex input/complex output Real input/complex output
$\tand^3$	Floating point	Scalar Vector Matrix	Real Complex
$\tanh^2$	Floating point	Scalar Vector Matrix	Real Complex Complex input/complex output Real input/complex output
<sup>1</sup> Wrap on integer overflow only. <sup>2</sup> For models involving vectors or matrices, the code generator replaces only functions coded in the MATLAB action language. <sup>3</sup> The code generator replaces only functions coded in the MATLAB action language.			

## Memory Functions

Depending on code replacement libraries available in your development environment, you can configure the code generator to replace instances of the following memory functions with application-specific implementations.

Function	Data Type Support	Scalar, Vector, Matrix Support	Real, Complex Support
memcmp	Void pointer (void*)	Scalar	Real

Function	Data Type Support	Scalar, Vector, Matrix Support	Real, Complex Support
		Vector Matrix	Complex
memcpy	Void pointer (void*)	Scalar Vector Matrix	Real Complex
memset	Void pointer (void*)	Scalar Vector Matrix	Real Complex
memset2zero	Void pointer (void*)	Scalar Vector Matrix	Real Complex

Some target processors provide optimized functions to set memory to zero. Use the code replacement library programming interface to replace the `memset2zero` function with more efficient target-specific functions.

## Nonfinite Functions

Depending on code replacement libraries available in your development environment, you can configure the code generator to replace instances of the following nonfinite functions with application-specific implementations.

Function	Data Type Support	Scalar, Vector, Matrix Support	Real, Complex Support
getInf	Floating point	Scalar	Real
getMinusInf	Floating point	Scalar	Real
getNaN	Floating point	Scalar	Real
rtIsInf	Floating point	Scalar	Real Complex
rtIsNaN	Floating point	Scalar	Real Complex

## Mutex and Semaphore Functions

Mutex and semaphore functions control access to resources shared by multiple processes in multicore target environments. MathWorks provides code replacement libraries that support mutex and semaphore replacement for **Rate Transition** and **Task Transition** blocks on Windows, Linux, Mac, and VxWorks platforms.

Generated mutex and semaphore code typically consists of:

- In model initialization code, an initialization function call to create a mutex or semaphore to control entry to a critical section of code.
- In model step code:
  - Before code for a data transfer between tasks enters the critical section, mutex lock or semaphore wait function calls to reserve a critical section of code.
  - After code for a data transfer between tasks finishes executing the critical section, mutex unlock or semaphore post function calls to release the critical section of code.
- In model termination code, an optional destroy function call to explicitly delete the mutex or semaphore.

Depending on code replacement libraries available in your development environment, you can configure the code generator to replace instances of the following mutex and semaphore functions with application-specific implementations.

In the following table, key is a string that identifies the function.

Function	Key
Mutex Destroy	RTW_MUTEX_DESTROY
Mutex Init	RTW_MUTEX_INIT
Mutex Lock	RTW_MUTEX_LOCK
Mutex Unlock	RTW_MUTEX_UNLOCK
Semaphore Destroy	RTW_SEM_DESTROY
Semaphore Init	RTW_SEM_INIT
Semaphore Post	RTW_SEM_POST
Semaphore Wait	RTW_SEM_WAIT

## Operators

When generating C/C++ code from a Simulink model, depending on code replacement libraries available in your development environment, you can configure the code generator to replace instances of the following operators with application-specific implementations.

In the following table:

- Key is a string that identifies the operator.
- Mixed data type support indicates that you can specify different data types for different inputs.

Operator	Key	Data Type Support	Scalar, Vector, Matrix Support	Real, Complex Support
Addition (+)	RTW_OP_ADD	Integer Floating point Fixed-point Mixed	Scalar Vector Matrix	Real Complex
Subtraction (-)	RTW_OP_MINUS	Integer Floating point Fixed-point Mixed	Scalar Vector Matrix	Real Complex
Multiplication (*) <sup>1</sup>	RTW_OP_MUL	Integer Floating point Fixed-point Mixed	Scalar Vector Matrix	Real Complex
Division (/)	RTW_OP_DIV	Integer Floating point Fixed-point Mixed	Scalar	Real Complex
Data type conversion (cast)	RTW_OP_CAST	Integer Floating point <sup>2</sup> Fixed-point Mixed	Scalar Vector Matrix	Real Complex
Shift left (<<)	RTW_OP_SL	Integer Fixed-point	Scalar Vector	Real



Operator	Key	Data Type Support	Scalar, Vector, Matrix Support	Real, Complex Support
		Mixed	Matrix <sup>3</sup>	
Shift right arithmetic (>>) <sup>4</sup>	RTW_OP_SRA	Integer Fixed-point Mixed	Scalar Vector Matrix <sup>3</sup>	Real
Shift right logical (>>)	RTW_OP_SRL	Integer Fixed-point Mixed	Scalar Vector Matrix <sup>3</sup>	Real
Element-wise matrix multiplication (.*) <sup>5</sup>	RTW_OP_ELEM_MUL	Integer Floating point Fixed-point Mixed	Vector Matrix	Real Complex
Matrix right division (/)	RTW_OP_RDIV	Integer Floating point Fixed-point Mixed	Vector Matrix	Real Complex
Matrix left division (\)	RTW_OP_LDIV	Integer Floating point Fixed-point Mixed	Vector Matrix	Real Complex
Matrix inversion (inv)	RTW_OP_INV	Integer Floating point Fixed-point Mixed	Vector Matrix	Real Complex
Complex conjugation	RTW_OP_CONJUGATE	Integer Floating point Fixed-point Mixed	Scalar Vector Matrix	Real Complex
Transposition (.')	RTW_OP_TRANS	Integer Floating point Fixed-point Mixed	Vector Matrix	Real Complex

<b>Operator</b>	<b>Key</b>	<b>Data Type Support</b>	<b>Scalar, Vector, Matrix Support</b>	<b>Real, Complex Support</b>
Hermitian (complex conjugate) transposition (')	RTW_OP_HERMITIAN	Integer Floating point Fixed-point Mixed	Vector Matrix	Real Complex
Multiplication with transposition <sup>1</sup>	RTW_OP_TRMUL	Integer Floating point Fixed-point Mixed	Vector Matrix	Real Complex
Multiplication with Hermitian transposition <sup>1</sup>	RTW_OP_HMMUL	Integer Floating point Fixed-point Mixed	Vector Matrix	Real Complex
Greater than (>)	RTW_OP_GREATER_THAN	Integer Floating point Fixed-point Mixed	Scalar Vector Matrix	Real Complex
Greater than or equal (>=)	RTW_OP_GREATER_THAN_OR_EQUAL	Integer Floating point Fixed-point Mixed	Scalar Vector Matrix	Real Complex
Less than (<)	RTW_OP_LESS_THAN	Integer Floating point Fixed-point Mixed	Scalar Vector Matrix	Real Complex
Less than or equal (<=)	RTW_OP_LESS_THAN_OR_EQUAL	Integer Floating point Fixed-point Mixed	Scalar Vector Matrix	Real Complex
Equal (==)	RTW_OP_EQUAL	Integer Floating point Fixed-point Mixed	Scalar Vector Matrix	Real Complex

Operator	Key	Data Type Support	Scalar, Vector, Matrix Support	Real, Complex Support
Not equal (!=)	RTW_OP_NOT_EQUAL	Integer Floating point Fixed-point Mixed	Scalar Vector Matrix	Real Complex
<p><sup>1</sup> Can map to Basic Linear Algebra Subroutine (BLAS) multiplication functions.</p> <p><sup>2</sup> Scaled floating point is not supported.</p> <p><sup>3</sup> Shift operator replacement with matrix data is supported for shift values that you specify with an input port. Replacement is not supported for shift values that you specify in a block parameter dialog.</p> <p><sup>4</sup> The code generator converts some arithmetic shift rights to logical shift rights. To avoid unexpected results, when creating a code replacement library that includes a table entry for an arithmetic shift right implementation, also include an entry for a logical shift right implementation.</p> <p><sup>5</sup> Use the multiplication (*) operator (RTW_OP_MUL) for scalar multiplication.</p>				

## Related Examples

- “Develop a Code Replacement Library” on page 24-26
- “Quick Start Library Development” on page 24-27
- “Choose a Code Replacement Library” on page 20-32

## More About

- “What Is Code Replacement?” on page 20-2
- “What Is Code Replacement Customization?” on page 24-3
- “Code Replacement Libraries” on page 20-23
- “Code Replacement Terminology” on page 20-25
- “Code Replacement Customization Limitations” on page 24-23

## Code Replacement Match and Replacement Process

When the code generator encounters a call site for a function or operator, it:

- 1 Creates and partially populates a code replacement entry object with the function or operator name or key and conceptual arguments.
- 2 Uses the entry object to query the configured code replacement library for a conceptual representation match. The code generator searches the tables in a code replacement library for a match in the order that the tables appear in the library. When searching for a match, the code generator takes into account:
  - Conceptual name or key
  - Arguments, including quantity, type, type qualifiers, and complexity
  - Algorithm (computation method)
  - Fixed-point saturation and rounding modes
  - Priority
- 3 When a match exists, the code generator returns a code replacement object, fully populated with the conceptual representation, implementation representation, and priority. If the code generator finds multiple matches within a table, the entry priority determines the match. The priority can range from 0 to 100. The highest priority is 0. The code generator uses a higher-priority entry over a similar entry with a lower priority.
- 4 Uses the C or C++ replacement function prototype in the code replacement object to generate code.

### Related Examples

- “Customize Match and Replacement Process” on page 24-161
- “Customize Code Match and Replacement for Scalar Operations” on page 24-238
- “Optimize Generated Code By Developing and Using Code Replacement Libraries - Simulink®”

### More About

- “Code Replacement Libraries” on page 20-23
- “Code Replacement Terminology” on page 20-25

## Code Replacement Customization Limitations

- Code replacement verification — It is possible that code replacement behaves differently than you expect. For example, data types that you observe in code generator input might not match what the code generator uses as intermediate data types during an operation. Verify code replacements by examining generated code. See “Verify Code Replacements” on page 24-78.
- Tokens in file paths—You can include tokens in file paths when specifying build information for a code replacement entry by using the programming interface only. The ability to include tokens is not available from the Code Replacement Tool. See “Specify Build Information for Replacement Code” on page 24-59.
- Addition and subtraction operation replacements—See “Addition and Subtraction Operator Code Replacement” on page 24-170 for relevant limitations.
- Data alignment—
  - Not supported for
    - Arguments associated with a built-in custom storage class with **DataScope** set to **Exported** or the imported built-in custom storage class **GetSet**
    - Software-in-the-loop (SIL)
    - Processor-in-the-loop (PIL)
    - Model reference parameters
    - Exported functions in Stateflow charts
    - Replaced functions that are generated with C function prototype control or C++ class I/O arguments step method and that use root-level I/O variables
    - Replaced functions that are generated with the AUTOSAR system target file and that use root-level I/O or AUTOSAR inter-runnable access functions
  - If the following conditions exist, the code generator includes data alignment directives for root-level I/O variables in the `ert_main.c` or `ert_main.cpp` file it produces:
    - Compiler supports global variable alignment
    - Generate an example main program (select **Configuration Parameters > All Parameters > Generate an example main program**)

- Generate a reusable function interface for the model (set **Configuration Parameters > Code Generation > Interface > Code interface packaging** to **Reusable function**)
- Function uses root-level I/O variables that are passed in as individual arguments (set **Configuration Parameters > Code Generation > Interface > Pass root-level I/O** to **Individual arguments**)
- Replaced function uses a root-level I/O variable
- Replaced function imposes alignment requirements

If you discard the generated example main program, align used root-level I/O variables correctly.

If you choose not to generate an example main program in this case, the code generator does not replace the function.

- If a replacement imposes alignment requirements on the shared utility interface arguments, the code generator does not honor data alignment. Under these conditions, replacement does not occur. Replacement is allowed if the registered data alignment type specification supports alignment of local variables, and the replacement involves only local variables.
- For `Simulink.Bus`:
  - If user registered alignment specifications do not support structure field alignment, aligning `Simulink.Bus` objects is not supported unless the `Simulink.Bus` is imported.
  - When aligning a `Simulink.Bus` data object, the elements in the bus object are aligned on the same boundary. The boundary is the lowest common multiple of the alignment requirements for each individual bus element.
- When you specify alignment for functions that occur in a model reference hierarchy, and multiple models in the hierarchy operate on the same function data, the bottommost model dictates alignment for the rest of the hierarchy. If the alignment requirement for a function in a model higher in the hierarchy cannot be honored due to the alignment set by a model lower in the hierarchy, the replacement in the higher model does not occur. In some cases, an error message is generated. To work around this issue, if the shared data is represented by a bus or signal object, manually set the alignment property on the shared data by setting the alignment property of the `Simulink.Bus` or `Simulink.Signal` object.

- It is your responsibility to honor the `Alignment` property setting for custom storage classes that you create.

See “Data Alignment for Code Replacement” on page 24-136.

- `coder.replace` function — See `coder.replace` for relevant limitations.

## Related Examples

- “Verify Code Replacements” on page 24-78
- “Specify Build Information for Replacement Code” on page 24-59
- “Data Alignment for Code Replacement” on page 24-136
- “Replace MATLAB Functions with Custom Code Using `coder.replace`” on page 24-147
- “Develop a Code Replacement Library” on page 24-26
- “Quick Start Library Development” on page 24-27

## More About

- “Code Replacement Libraries” on page 20-23
- “Code Replacement Terminology” on page 20-25

## Develop a Code Replacement Library

- 1 “Identify Code Replacement Requirements” on page 24-37
- 2 “Prepare for Code Replacement Library Development” on page 24-40
- 3 “Define Code Replacement Mappings” on page 24-42
- 4 “Specify Build Information for Replacement Code” on page 24-59
- 5 “Register Code Replacement Mappings” on page 24-68
- 6 “Verify Code Replacements” on page 24-78
- 7 “Deploy Code Replacement Library” on page 24-96

### Related Examples

- “Replace MATLAB Functions with Custom Code Using `coder.replace`” on page 24-147
- “Replace MATLAB Functions Specified in MATLAB Function Blocks” on page 24-155
- “Optimize Generated Code By Developing and Using Code Replacement Libraries - Simulink®”

### More About

- “What Is Code Replacement?” on page 20-2
- “What Is Code Replacement Customization?” on page 24-3
- “Code You Can Replace From Simulink Models” on page 20-4
- “Code Replacement Libraries” on page 20-23
- “Code Replacement Terminology” on page 20-25
- “Code Replacement Customization Limitations” on page 24-23



# Quick Start Library Development

This example shows how to develop a code replacement library that includes an entry for generating replacement code for the math function `sin`. You use the Code Replacement Tool.

## Prerequisites

To complete this example, install the following software:

- MATLAB
- Simulink
- Simulink Coder
- Embedded Coder

For instructions on installing MathWorks products, see the “Installation and Activation”. If you have installed MATLAB and want to see what other MathWorks products are installed, in the Command Window, enter `ver`.

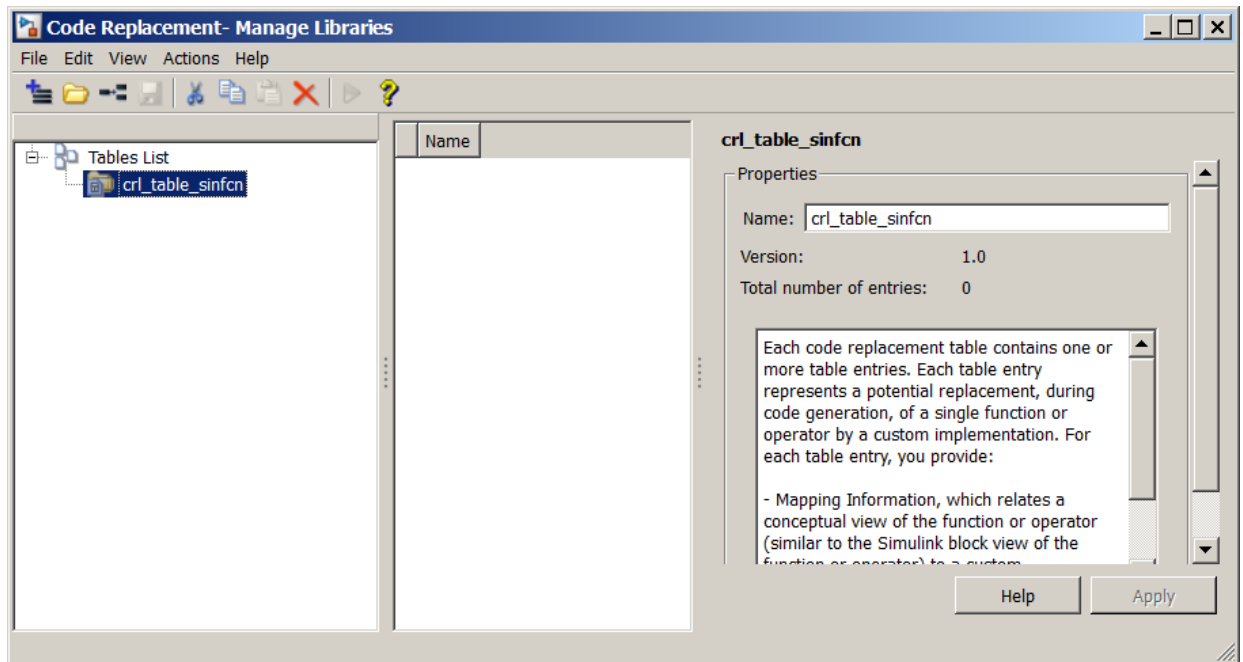
For a list of supported compilers, see [http://www.mathworks.com/support/compilers/current\\_release/](http://www.mathworks.com/support/compilers/current_release/).

## Open the Code Replacement Tool

- 1 Start a new MATLAB session.
- 2 Create or navigate (`cd`) to an empty folder.
- 3 At the command prompt, enter the `crtool` command. The Code Replacement Tool window opens.

## Create Code Replacement Table

- 1 In the Code Replacement Tool window, select **File > New table**.
- 2 In the right pane, name the table `crl_table_sinfcn` and click **Apply**. Later, when you save the table, the tool saves it with the file name `crl_table_sinfcn.m`.



### Create Table Entry

Create a table entry that maps a `sin` function with `double` input and `double` output to a custom implementation function.

- 1 In the left pane, select table `crl_table_sinfcn`. Then, select **File > New entry > Function**. The new entry appears in the middle pane, initially without a name.
- 2 In the middle pane, select the new entry.
- 3 In the right pane, on the **Mapping Information** tab, from the **Function** menu, select `sin`.
- 4 Leave **Algorithm** set to `Unspecified`, and leave parameters in the **Conceptual function** group set to default values.
- 5 In the **Replacement function** group, name the replacement function `sin_dbl`.
- 6 Leave the remaining parameters in the **Replacement function** group set to default values.

- 7 Click **Apply**. The tool updates the **Function signature preview** to reflect the specified replacement function name.
- 8 Scroll to the bottom of the **Mapping Information** tab and click **Validate entry**. The tool validates your entry.

The following figure shows the completed mapping information.

Mapping Information

Build Information

Function: sin

Entry information

Algorithm: Unspecified

Conceptual function

*Used by code generation process for matching purposes*

Conceptual arguments	Argument properties
y1	Data type: <span style="border: 1px solid #ccc; padding: 2px;">double</span>
u1	<input type="checkbox"/> Complex
	Argument type: <span style="border: 1px solid #ccc; padding: 2px;">Scalar</span>

Make conceptual and implementation argument types the same

Replacement function

Function prototype

Name: sin\_dbl C++ namespace:

Function returns void

Function arguments	Argument properties
y1(return arg)	Data type: <span style="border: 1px solid #ccc; padding: 2px;">double</span> I/O type: <span style="border: 1px solid #ccc; padding: 2px;">OUTPUT</span>
u1	<input type="checkbox"/> Const <input type="checkbox"/> Pointer <input type="checkbox"/> Complex

✕ +

Function signature preview

```
double sin_dbl( double u1 );
```

Implementation attributes

Integer saturation mode: Unspecified Saturation

Rounding mode: Unspecified Rounding

Floor

Ceil

...

Allow expressions as inputs

Function modifies internal or global state

[Click here to add Build Information](#)

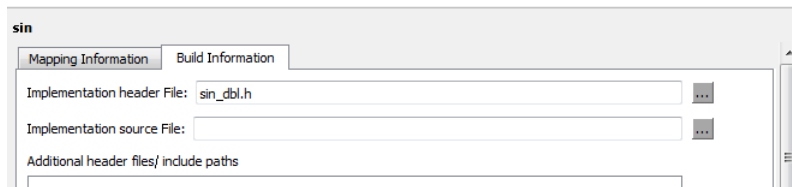
Validation

Validate entry Status: Validated

Help
Apply

### Specify Build Information for Replacement Code

- 1 On the **Build Information** tab, for the **Implementation header file** parameter, enter `sin_dbl.h`.
- 2 Leave the remaining parameters set to default values.
- 3 Click **Apply**.



- 4 Optionally, you can revalidate the entry. Return to the **Mapping Information** tab and click **Validate entry**.

### Create Another Table Entry

Create an entry that maps a `sin` function with `single` input and `double` output to a custom implementation function named `sin_sgl`. Create the entry by copying and pasting the `sin_dbl` entry.

- 1 In the middle pane, select the `sin_dbl` entry.
- 2 Select **Edit > Copy**
- 3 Select **Edit > Paste**
- 4 On the **Mapping Information** tab, in the **Conceptual function** section, set the data type of input argument `u1` to `single`.
- 5 In the **Replacement function** section, name the function `sin_sgl`. Set the data type of input argument `u1` to `single`.
- 6 Click **Apply**. Note the changes that appear for the **Function signature preview**.
- 7 On the **Build Information** tab, for the **Implementation header file** parameter, enter `sin_sgl.h`. Leave the remaining parameters set to default values and click **Apply**.

### Validate the Code Replacement Table

- 1 Select **Actions > Validate table**.

- 2 If the tool reports errors, fix them, and rerun the validation. Repeat fixing and validating errors until the tool does not report errors. The following figure shows a validation report.

Name	Implementation	NumIn	In1Type	In2Type	Out1Type	Out2Type	Priority
✓ sin	sin_dbl	1	double		double		100
✓ sin	sin_sgl	1	single		double		100

### Save the Code Replacement Table

Save the code replacement table to a MATLAB file in your working folder. Select **File > Save table**. By default, the tool uses the table name to name the file. For this example, the tool saves the table in the file `crl_table_sinfcn.m`.

### Review the Code Replacement Table Definition

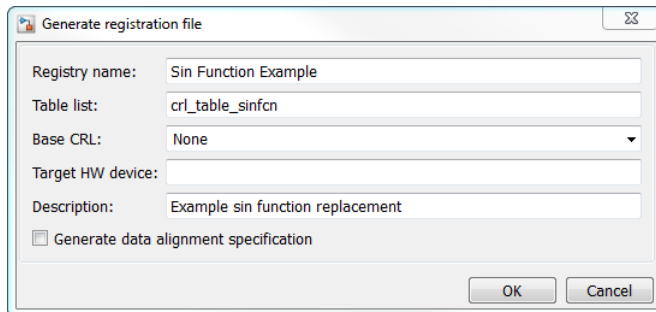
Consider reviewing the MATLAB code for your code replacement table definition. After using the tool to create an initial version of a table definition file, you can update, enhance, or copy the file in a text editor.

To review it, in MATLAB or another text editor, open the file `crl_table_sinfcn.m`.

### Generate a Registration File

Before you can use your code replacement table, you must register it as part of a code replacement library. Use the Code Replacement Tool to generate a registration file.

- 1 In the Code Replacement Tool, select **File > Generate registration file**.
- 2 In the **Generate registration file** dialog box, edit the dialog box fields to match the following figure, and then click **OK**.



- 3 In the **Select location** dialog box, specify a location for the registration file. The location must be on the MATLAB path or in the current working folder. Save the file. The tool saves the file as `rtwTargetInfo.m`.

### Register the Code Replacement Table

At the command prompt, enter:

```
sl_refresh_customizations
```

### Review and Test Code Replacements

Apply your code replacement library. Verify that the code generator makes code replacements that you expect.

- 1 Check for errors. At the command line, invoke the table definition file. For example:

```
tbl = crl_table_sinfcn
```

```
tbl =
```

```
Tf1Table with properties:
```

```

        Version: '1.0'
    ReservedSymbols: []
StringResolutionMap: []
      AllEntries: [2x1 RTW.Tf1CFunctionEntry]
      EnableTrace: 1
```

If an error exists in the definition file, the invocation triggers a message. Fix the error and try again.

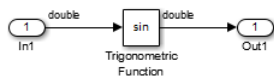
- 2 Use the Code Replacement Viewer to check your code replacement entries. For example:

```
crviewer('Sin Function Example')
```

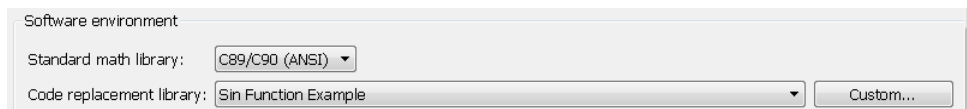
In the viewer, select entries in your table and verify that the content is what you expect. The viewer can help you detect issues such as:

- Incorrect argument order.
- Conceptual argument names that do not match what the code generator expects.
- Incorrect priority settings.

- Identify an existing model or create a new model that includes a **Trigonometric Function** block that is set to the **sin** function. For example:



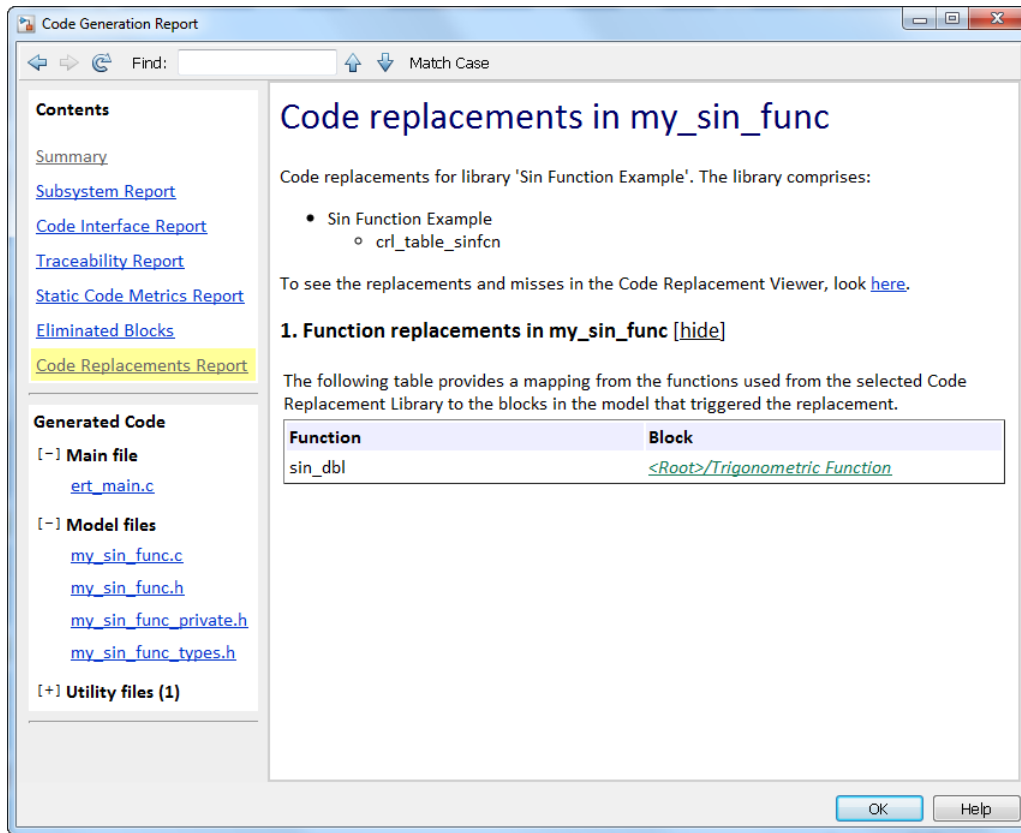
- Open the model and configure it for code generation with an Embedded Coder (ERT-based) target.
- See whether your library is listed as an available option for the **Code Generation > Interface > Code replacement library** model configuration parameter. If it is, select it.



If it is not listed, open the registration file, `rtwTargetInfo.m`. See whether you entered the correct code replacement table name when you created the file. If you hover the cursor over the selected library, a tool tip appears. This tip contains information derived from your code replacement library registration file, such as the library description and the list of tables it contains.

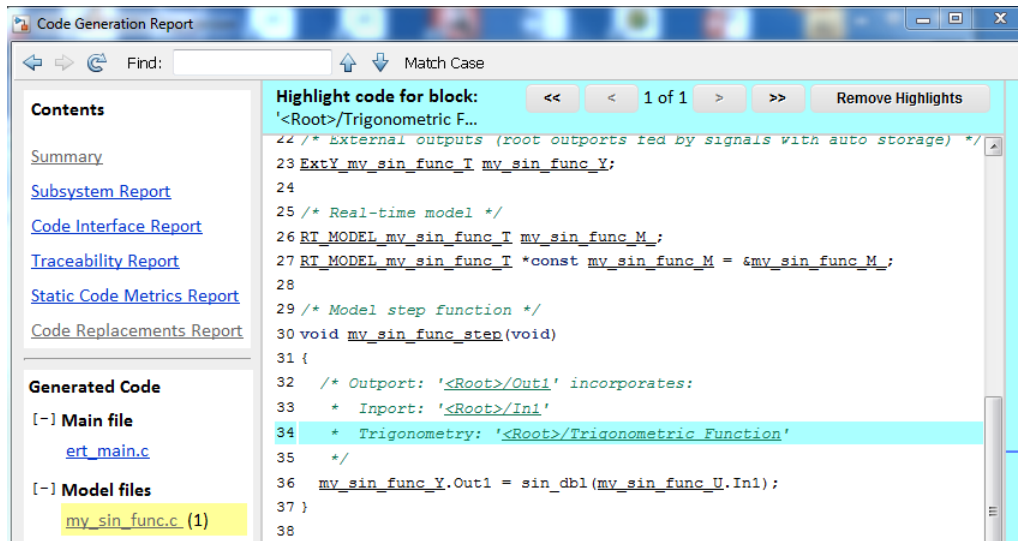
- Configure the code generation report for code replacement analysis by setting the following parameters:
  - On the **Code Generation > Report** pane, select **Create code generation report**, **Open report automatically**, **Code-to-model**, **Model-to-code**, and **Summarize which blocks triggered code replacements**.
  - On the **Code Generation > Comments** pane, select **Include comments**, **Simulink block / Stateflow object comments**, and **Simulink block descriptions**.
- Configure the model to generate code only. Before you build an executable, confirm that the code generator is replacing code as expected.
- Generate code for the model.
- Review code replacement results in the Code Replacement Report section of the code generation report.





The report indicates that the code generator found a match and applied the replacement code for the function `sin_dbl`.

- Review the code replacements. In the model window, right-click the **Trigonometric Function** block. Select **C/C++ Code > Navigate to C/C++ Code**. The code generation report opens and highlights the code replacement in `my_sin_func.c`. In this case, the code generator replaced `sin` with `sin_dbl`.



## Related Examples

- “Develop a Code Replacement Library” on page 24-26
- “Optimize Generated Code By Developing and Using Code Replacement Libraries - Simulink®”

## More About

- “What Is Code Replacement?” on page 20-2
- “What Is Code Replacement Customization?” on page 24-3
- “Code You Can Replace From Simulink Models” on page 20-4
- “Code Replacement Libraries” on page 20-23
- “Code Replacement Terminology” on page 20-25
- “Code Replacement Customization Limitations” on page 24-23

# Identify Code Replacement Requirements

Consider the following types of requirements for your code replacement library.

In this section...
“Mapping Information Requirements” on page 24-37
“Build Information Requirements” on page 24-38
“Registration Information Requirements” on page 24-38

## Mapping Information Requirements

- Are you defining a code replacement mapping for the first time?
- Are you updating code replacement entries in an existing library? Or, are you creating a new library?
- Are you rapid prototyping code replacements?
- Can you base your mappings on existing mappings?
- What type of code do you want to replace? Options include:
  - Math operation
  - Function
  - BLAS operation
  - CBLAS operation
  - Net slope fixed-point operation
  - Semaphore or mutex functions
- Do you want to change the inline or nonfinite behavior for functions?
- What specific functions and operations do you want to replace?
- What input and output arguments does the function or operator that you are replacing take? For each argument, what is the data type, complexity, and dimensionality?
- What does the prototype for your replacement code look like?
  - What is the replacement function name?
  - What are the input and output arguments?
  - Are there return values?

- What is the data type, complexity, and dimensionality of each argument and return value?

## **Build Information Requirements**

- Does your replacement function implementation require a header file? If yes, specify the header file.
- If the replacement function implementation requires a header file, what is the path for that file?
- Is the source file for the replacement function in your working folder? If not, you can explicitly specify the source file name and extension. For example, if the file is required in the generated makefile or specified in a build information object, specify the source file.
- Does the replacement function use additional include files? If yes, what are they and what are the paths for those files?
- Does the replacement function use additional source files? If yes, what are they and what are the paths for those files?
- What compiler flags are required for compiling code that includes the replacement code?
- What linker flags are required for building an executable that includes the replacement code?
- Are the required header, source, and object files for building an executable that includes your replacement code in the working folder for your project? If not, before starting the build process, do you want the code generator to copy required files to the build folder?

## **Registration Information Requirements**

- What do you want to name your code replacement library?
- What code replacement tables do you want to include in the library? What are the file names and paths for the tables?
- What is the purpose of the library? You can document the purpose as the library description.
- Does the library apply to specific hardware devices? If yes, what devices?
- Are you developing a hierarchy of code replacement libraries? Is the library that you are developing based (dependent) on another library? For example, you can specify a

general TI device library as the base library for a more specific TI C28x device library.

- Do you need to specify data alignment for the library? What data alignments are required? For each specification, what type of alignment is required and for what programming language?

## **Related Examples**

- “Develop a Code Replacement Library” on page 24-26
- “Define Code Replacement Mappings” on page 24-42
- “Specify Build Information for Replacement Code” on page 24-59
- “Register Code Replacement Mappings” on page 24-68
- “Verify Code Replacements” on page 24-78
- “Quick Start Library Development” on page 24-27

## **More About**

- “What Is Code Replacement?” on page 20-2
- “What Is Code Replacement Customization?” on page 24-3
- “Code You Can Replace From Simulink Models” on page 20-4
- “Code Replacement Libraries” on page 20-23
- “Code Replacement Terminology” on page 20-25
- “Code Replacement Customization Limitations” on page 24-23

## Prepare for Code Replacement Library Development

After you identify your code replacement requirements, prepare for library development by reviewing this checklist:

- Get familiar with the library development process.
- Decide whether to define code replacement mappings and produce a registration file interactively with the Code Replacement Tool or programmatically.
- Identify or develop MATLAB code and Simulink models to test your code replacement library.
- Consider the hierarchy and organization of your library. A library can consist of multiple tables and each table can include multiple entries. How do you want to organize the library to optimize reuse of tables and entries? For example, a registration file can define code replacement tables organized in a hierarchy of code replacement libraries based on entries that increase in specificity:
  - Common entries
  - Entries for TI devices
  - Entries for TI C6xx devices
  - Entries specific to the TI C67x device
- If support files, such as header files, additional source files, and dynamically linked libraries are not in your current working folder, note their location. You need to specify the paths for such files.

### Related Examples

- “Develop a Code Replacement Library” on page 24-26
- “Define Code Replacement Mappings” on page 24-42
- “Specify Build Information for Replacement Code” on page 24-59
- “Register Code Replacement Mappings” on page 24-68
- “Verify Code Replacements” on page 24-78
- “Quick Start Library Development” on page 24-27

### More About

- “What Is Code Replacement?” on page 20-2

- “What Is Code Replacement Customization?” on page 24-3
- “Code You Can Replace From Simulink Models” on page 20-4
- “Code Replacement Libraries” on page 20-23
- “Code Replacement Terminology” on page 20-25

## Define Code Replacement Mappings

A code replacement mapping associates a conceptual representation of a function or operator that is familiar to the code generator with a custom implementation representation that specifies a C or C++ replacement function prototype. You capture a mapping as an entry in a code replacement table:

- Interactively, by using the Code Replacement Tool.
- Programmatically, by using a MATLAB programming interface.

### In this section...

“Choose an Approach for Defining Code Replacement Mappings” on page 24-42  
 “Define Mappings Interactively with the Code Replacement Tool” on page 24-43  
 “Define Mappings Programmatically” on page 24-46

## Choose an Approach for Defining Code Replacement Mappings

The following table lists situations to help you decide when to use the interactive or programmatic approach.

Situation	Approach
Defining mappings for the first time.	Code Replacement Tool.
Rapid prototyping mappings.	Code Replacement Tool to quickly generate, register, and test mappings.
Developing a mapping as a template or starting point for defining similar mappings.	Code Replacement Tool to generate definition code that you can copy and modify.
Modifying a registration file, including copying and pasting content.	MATLAB Editor to update the programming interface directly.
Defining mappings that specify attributes not available from the Code Replacement Tool (for example, sets of algorithm parameters).	Programming interface.



Situation	Approach
Reusing existing code for new mappings by copying, pasting, and editing existing mappings.	Programming interface.

## Define Mappings Interactively with the Code Replacement Tool

This example shows how to use the Code Replacement Tool to develop code replacement mappings. The tool is ideal for getting started with developing mappings, rapid prototyping, and developing a mapping to use as a starting point for defining similar mappings.

### Open the Code Replacement Tool

Do one of the following:

- In the Command Window, enter the command `crtool`.
- In the Configuration Parameters dialog box, navigate to **All Parameters > Code Generation > Code replacement library** and click **Custom**.

An Embedded Coder license is not required to create a custom code replacement library. However, you must have an Embedded Coder license to use a such a library.

By default, the tool displays, left to right, a root pane, a list pane, and a dialog pane. You can manipulate the display:

- Drag boundaries to widen, narrow, shorten, or lengthen panes, and to resize table columns.
- Select **View > Show dialog pane** to hide or display the right-most pane.
- Click a table column heading to sort the table based on contents of the selected column.
- Right-click a table column heading and select **Hide** to remove the column from the display. (You cannot hide the **Name** column.)

### Create a Code Replacement Table

- 1 In the Code Replacement Tool window, select **File > New table**.
- 2 In the right pane, name the table and click **Apply**. Later, when you save the table, the tool uses the table name that you specify to name the file. For example, if you enter the name `my_sinfcn`, the tool names the file `my_sinfcn.m`.

### Create Table Entries

Create one or more table entries. Each entry maps the conceptual representation of a function or operator to your implementation representation. The information that you enter depends on the type of entry you create. Enter the following information:

- 1 In the left pane, select the table to which you want to add the entry.
- 2 Select **File > New entry > entry-type**, where **entry-type** is one of:
  - Math Operation
  - Function
  - BLAS Operation
  - CBLAS Operation
  - Net Slope Fixed-Point Operation
  - Semaphore entry
  - Customization entry

The new entry appears in the middle pane, initially without a name.

- 3 In the middle pane, select the new entry.
- 4 In the right pane, on the **Mapping Information** tab, from the **Function** or **Operation** menu, select the function or operation that you want the code generator to replace. Regardless of the entry type, make a selection from this menu. Your selection determines what other information you specify.

Except for customization entries, you also specify information for your replacement function prototype. You can also specify implementation attributes, such as the rounding modes to apply.

- 5 If prompted, specify additional entry information that you want the code generator to use when searching for a match. For example, when you select an addition or subtraction operation, the tool prompts you to specify an algorithm (**Cast before operation** or **Cast after operation**).
- 6 Review the conceptual argument information that the tool populates for the function or operation. Conceptual input and output arguments represent arguments for the function or operator being replaced. Conceptual arguments observe naming conventions ('y1', 'u1', 'u2', ...) and data types familiar to the code generator.

If you do not want the data types for your implementation to be the same as the conceptual argument types, clear the **Make the conceptual and implementation**

**argument types the same** check box. For example, most ANSI-C functions operate on and return `double` data. Clear the check box if want to map a conceptual representation of the function to an implementation representation that specifies an argument and return value. For example, clear the check box to map the conceptual representation of the function `sin` to an implementation representation that specifies an argument and return value of type `single` (`single sin(single)`), of type `double` (`double sin(double)`). In this case, the code generator produces the following code:

```
y = (single) sin(u1);
```

If you select **Custom** for a function entry, specify only conceptual argument information.

- 7 Specify the name and argument information for your replacement function. As you enter the information and click **Apply**, the tool updates the **Function signature preview**.
- 8 Specify additional implementation attributes that apply. For example, depending on the type and name of the entry that you specify, the tool prompts you to specify:
  - Integer saturation mode
  - Rounding modes
  - Whether to allow inputs that include expressions
  - Whether a function modifies internal or global state
- 9 Click **Apply**.

### Validate Tables and Entries

The Code Replacement Tool provides a way to validate the syntax of code replacement tables and table entries as you define them. If the tool finds validation errors, you can address them and retry the validation. Repeat the process until the tool does not report errors.

To	Do
Validate table entries	Select an entry, scroll to the bottom of the <b>Mapping Information</b> tab, and click <b>Validate entry</b> . Alternatively, select one or more entries, right-click, and select <b>Validate entries</b> .
Validate a table	Select the table. Then, select <b>Actions &gt; Validate table</b> .

### Save a Table

When you save a table, the tool validates unvalidated content.

- 1 Select **File > Save table**.
- 2 In the Browse For Folder dialog box, specify a location and name for the file. Typically, you select a location on the MATLAB path. By default, the tool names the file using the name that you specify for the table with the extension `.m`.
- 3 Click **Save**.

### Open and Modify Tables

After saving a code replacement table, to make changes in the table:

- 1 Select **File > Open table**.
- 2 In the Import file dialog box, browse to the MATLAB file that contains the table.

Repeat the sequence to open and work on multiple tables.

If you open multiple tables, you can manage the tables together. For example, use the tool to:

- Create new table entries.
- Delete entries.
- Copy and paste or cut and paste information between tables.

## Define Mappings Programmatically

This example shows how to define a code replacement mapping programmatically. The programming interface for defining code replacement table mappings is ideal for

- Modifying tables that you create with the Code Replacement Tool.
- Defining mappings for specialized entries that you cannot create with the Code Replacement Tool.
- Replicating and modifying similar entries and tables.

Steps for defining a mapping programmatically are:

### Create Code Replacement Table

- 1 Create a table definition file that contains a function definition. For example:

```
function hTable = crl_table_sinfcn()
```

- 2 Within the function body, create the table by calling the function `RTW.Tf1Table`.

```
hTable = RTW.Tf1Table;
```

### Create Table Entry

For each function or operator that you want the code generator to replace, map a conceptual representation of the function or operator to an implementation representation as a table entry.

- 1 Within the body of a table definition file, create a code replacement entry object. Call one of the following functions.

Entry Type	Function
Math operation	<code>RTW.Tf1COperationEntry</code>
Function	<code>RTW.Tf1CFunctionEntry</code>
BLAS operation	<code>RTW.Tf1BlasEntryGenerator</code>
CBLAS operation	<code>RTW.Tf1CBlasEntryGenerator</code>
Fixed-point addition and subtraction operations (support for <code>SlopesMustBeTheSame</code> and <code>ZeroNetBias</code> parameters)	<code>RTW.Tf1COperationEntryGenerator</code>
Net slope fixed-point operation	<code>RTW.Tf1COperationEntryGenerator_NetSlope</code>
Semaphore or mutex entry	<code>RTW.Tf1CSemaphoreEntry</code>
Custom function entry	<i>MyCustomFunctionEntry</i> (where <i>MyCustomFunctionEntry</i> is a class derived from <code>RTW.Tf1CFunctionEntryML</code> )
Custom operation entry	<i>MyCustomOperationEntry</i> (where <i>MyCustomOperationEntry</i> is a class derived from <code>RTW.Tf1COperationEntryML</code> )

For example:

```
hEnt = RTW.Tf1CFunctionEntry;
```

You can combine steps of creating the entry, setting entry parameters, creating conceptual and implementation arguments, and adding the entry to a table with a single function call to `registerCFunctionEntry`, `registerCPPFunctionEntry`, or `registerCPromotableMacroEntry` if you are creating an entry for a function and the function implementation meets the following criteria:

- Implementation argument names and order match the names and order of corresponding conceptual arguments.
- Input arguments are of the same type.
- The return and input argument names follow the code generator's default naming conventions:
  - Return argument is `y1`.
  - Input arguments are `u1`, `u2`, ..., `un`.

For example:

```
registerCFunctionEntry(hTable, 100, 1, 'sin', 'double', ...  
    'sin_dbl', 'double', 'sin_dbl.h', '', '');
```

As another alternative, you can significantly reduce the amount of code that you write by combining the steps of creating the entry and conceptual and implementation arguments with a call to the `createCRLEntry` function. In this case, you specify the conceptual and implementation information as detailed string specifications.

For example:

```
hEnt = createCRLEntry(hTable, ...  
    'double y1 = sin(double u1)', ...  
    'mySin');
```

This approach does not support:

- C++ implementations
- Data alignment
- Operator replacement with net slope arguments
- Entry parameter specifications (for example, priority, algorithm, building information)
- Semaphore and mutex function replacements

## Set Entry Parameters

Set entry parameters, such as the priority, algorithm information, and implementation (replacement) function name. Call the function listed in the following table for the entry type that you created.

Entry Type	Function
Math operation	setTf1COperationEntryParameters
Function	setTf1CFunctionEntryParameters
BLAS operation	setTf1COperationEntryParameters
CBLAS operation	setTf1COperationEntryParameters
Fixed-point addition and subtraction operations where there is a many-to-one mapping, such as a mapping for a range of fixed-point types to the same replacement function (support for SlopesMustBeTheSame and ZeroNetBias parameters)	setTf1COperationEntryParameters
Net slope fixed-point operation	setTf1COperationEntryParameters
Semaphore or mutex entry	setTf1CSemaphoreEntryParameters
Custom function entry	setTf1CFunctionEntryParameters
Custom operation entry	setTf1COperationEntryParameters

To see a list of the parameters that you can set, at the command line, create a new entry and omit the semicolon at the end of the command. For example:

```
hEnt = RTW.Tf1CFunctionEntry
```

```
hEnt =
```

```
Tf1CFunctionEntry with properties:
```

```

    Implementation: [1x1 RTW.CImplementation]
    SlopesMustBeTheSame: 0
    BiasMustBeTheSame: 0
    AlgorithmParams: []
    ImplType: 'FCN_IMPL_FUNCT'
    AdditionalHeaderFiles: {0x1 cell}
    AdditionalSourceFiles: {0x1 cell}

```

```

    AdditionalIncludePaths: {0x1 cell}
    AdditionalSourcePaths: {0x1 cell}
    AdditionalLinkObjs: {0x1 cell}
    AdditionalLinkObjsPaths: {0x1 cell}
    AdditionalLinkFlags: {0x1 cell}
    AdditionalCompileFlags: {0x1 cell}
        SearchPaths: {0x1 cell}
        Key: ''
        Priority: 100
    ConceptualArgs: [0x1 handle]
    EntryInfo: []
    GenCallback: ''
    GenFileName: ''
    SaturationMode: 'RTW_SATURATE_UNSPECIFIED'
    RoundingModes: {'RTW_ROUND_UNSPECIFIED'}
    TypeConversionMode: 'RTW_EXPLICIT_CONVERSION'
    AcceptExprInput: 1
    SideEffects: 0
    UsageCount: 0
    RecordedUsageCount: 0
    Description: ''
    StoreFcnReturnInLocalVar: 0
    TraceManager: [1x1 RTW.Tf1TraceManager]

```

To see the implementation parameters, enter:

```
hEnt.Implementation
```

```
ans =
```

```
CImplementation with properties:
```

```

    HeaderFile: ''
    SourceFile: ''
    HeaderPath: ''
    SourcePath: ''
    Return: []
    StructFieldMap: []
    Name: ''
    Arguments: [0x1 handle]
    ArgumentDescriptor: []

```

For example, to set entry parameters for the `sin` function and name your replacement function `sin_dbl`, use the following function call:



```
setTf1CFunctionEntryParameters(hEnt, ...
    'Key', 'sin', ...
    'ImplementationName', 'sin_dbl');
```

### Create Conceptual Arguments

Create conceptual arguments and add them to the entry's array of conceptual arguments.

- Specify output arguments before input arguments.
- Specify argument names that comply with code generator argument naming conventions:
  - $y_1$  for a return argument
  - $u_1, u_2, \dots, u_n$  for input arguments
- Specify data types that are familiar to the code generator.
- The function signature, including argument naming, order, and attributes, must fulfill the signature match sought by function or operator callers.
- The code generator determines the size of the value for an argument with an unsized type, such as integer, based on hardware implementation configuration settings.

For each argument:

- 1 Identify whether the argument is for input or output, the name, and data type. If you do not know what arguments to specify for a supported function or operation, use the Code Replacement Tool to find them. For example, to find the conceptual arguments for the `sin` function, open the tool, create a table, create a function entry, and in the **Function** menu select `sin`.
- 2 Create and add the conceptual argument to an entry. You can choose a method from the methods listed in this table.

If	Then
You want simpler code or want to explicitly specify whether the argument is scalar or nonscalar (vector or matrix).	Call the function <code>createAndAddConceptualArg</code> . For example:  <pre>createAndAddConceptualArg(hEnt, ...     'RTW.Tf1ArgNumeric', ...     'Name', 'y1', ...     'IOType', 'RTW_IO_OUTPUT', ...     'DataTypeMode', 'double');</pre>

If	Then
	The second argument specifies whether the argument is scalar ( <code>RTW.TflArgNumeric</code> or <code>RTW.TflArgMatrix</code> ).
You want to create an argument based on a built-in argument definition (for example, scalar or nonscalar).	<p>Call <code>getTflArgFromString</code> to create the argument. Then, call <code>addConceptualArg</code> to add the argument to the entry.</p> <pre data-bbox="624 496 1299 578">arg = getTflArgFromString(hEnt, 'y1','double'); arg.IOType = 'RTW_IO_OUTPUT'; addConceptualArg(hEnt, arg);</pre>
You need to define several similar mappings, you want to minimize the code to write, and the entries do not require data alignment, use net slope arguments, or involve semaphore or mutex replacements.	<p>Call <code>createCRLEntry</code> to create the entry and specify conceptual and implementation arguments in a single function call.</p> <pre data-bbox="624 713 1151 795">hEnt = createCRLEntry(hTable, ...     'double y1 = sin(double u1)', ...     'mySin');</pre>

The following code shows the second approach listed in the table for specifying the conceptual output and input argument definitions for the `sin` function.

#### % Conceptual Args

```
arg = getTflArgFromString(hEnt, 'y1','double');
arg.IOType = 'RTW_IO_OUTPUT';
addConceptualArg(hEnt, arg);
```

```
arg = getTflArgFromString(hEnt, 'u1','double');
addConceptualArg(hEnt, arg);
```

#### Create Implementation Arguments

Create implementation arguments for the C or C++ replacement function and add them to the entry.

- When replacing code, the code generator uses the argument names to determine how it passes data to the implementation function.

- For function replacements, the order of implementation argument names must match the order of the conceptual argument names.
- For operator replacements, the order of implementation argument names do not have to match the order of the conceptual argument names. For example, for an operator replacement for addition,  $y1=u1+u2$ , the conceptual arguments are  $y1$ ,  $u1$ , and  $u2$ , in that order. If the signature of your implementation function is `t myAdd(t u2, t u1)`, where `t` is a valid C type, based on the argument name matches, the code generator passes the value of the first conceptual argument,  $u1$ , to the second implementation argument of `myAdd`. The code generator passes the value of the second conceptual argument,  $u2$ , to the first implementation argument of `myAdd`.
- For operator replacements, you can remap operator output arguments to implementation function input arguments.

For each argument:

- 1 Identify whether the argument is for input or output, the name, and the data type.
- 2 Create and add the implementation argument to an entry. You can choose a method from the methods listed in this table.

If	Then
You want to populate implementation arguments as copies of previously created matching conceptual arguments	Call the function <code>copyConceptualArgsToImplementation</code> . For example:  <code>copyConceptualArgsToImplementation(hEnt);</code>
You want to create and add implementation arguments individually, or vary argument attributes, while maintaining conceptual argument order	Call functions <code>createAndSetCImplementationReturn</code> and <code>createAndAddImplementationArg</code> . For example:  <code>createAndSetCImplementationReturn(hEnt,     'RTW.TflArgNumeric', ...     'Name',              'y1', ...     'IOType',            'RTW_IO_OUTPUT', ...     'IsSigned',          true, ...     'WordLength',       32, ...     'FractionLength',   0);</code>  <code>createAndAddImplementationArg(op_entry,     'RTW.TflArgNumeric',...     'Name',              'u1', ...</code>

If	Then
	<pre data-bbox="672 296 1129 409">'IOType', 'RTW_IO_INPUT',... 'IsSigned', true,... 'WordLength', 32, ... 'FractionLength', 0 );</pre>

If	Then
<p>You want to minimize the amount of code, or specify constant arguments to pass to the implementation function</p>	<p>Create the argument with a call to the function <code>getTf1ArgFromString</code>. Then, use the convenience method <code>setReturn</code> or <code>addArgument</code> to specify whether an argument is a return value or argument and to add the argument to the entry's array of implementation arguments. For example:</p> <pre>arg = getTf1ArgFromString(hEnt, 'y1', 'double'); arg.IOType = 'RTW_IO_OUTPUT'; hEnt.Implementation.setReturn(arg);  arg = getTf1ArgFromString(hEnt, 'u1', 'double'); hEnt.Implementation.addArgument(arg);</pre> <p>The following call to <code>getTf1ArgFromString</code> passes the constant 0 to argument <code>u2</code>:</p> <pre>arg = getTf1ArgFromString(hEnt, 'u2', 'int16', 0); hEnt.Implementation.addArgument(arg);</pre> <p>For semaphore and mutex entries, use the functions <code>getTf1DWorkFromString</code> and <code>addDWorkArg</code> to create and add a <code>DWork</code> argument to the entry. Then create implementation arguments as shown above with <code>getTf1ArgFromString</code> and the convenience methods <code>setReturn</code> and <code>addArgument</code>. For example:</p> <pre>arg = getTf1DWorkFromString('d1', 'void*'); hEnt.addDWorkArg(arg);  arg = hEnt.getTf1ArgFromString('y1', 'void'); arg.IOType = 'RTW_IO_OUTPUT'; hEnt.Implementation.setReturn(arg);  arg = hEnt.getTf1ArgFromString('u1', 'integer'); hEnt.Implementation.addArgument(arg);  arg = hEnt.getTf1ArgFromString('d1', 'void**'); hEnt.Implementation.addArgument(arg);</pre>

If	Then
You need to define several similar mappings, you want to minimize the code to write, and the entries do not require data alignment, use net slope arguments, or involve semaphore or mutex replacements.	<p>Call <code>createCRLEntry</code> to create the entry and specify conceptual and implementation arguments in a single function call.</p> <pre data-bbox="612 421 1337 508">hEnt = createCRLEntry(hTable, ...     'double y1 = sin(double u1)', ...     'mySin');</pre>

The following code shows the third approach listed in the table for specifying the implementation output and input argument definitions for the `sin` function:

```
% Implementation Args

arg = hEnt.getTf1ArgFromString('y1','double');
arg.IOType = 'RTW_IO_OUTPUT';
hEnt.Implementation.setReturn(arg);

arg = hEnt.getTf1ArgFromString('u1','double');
hEnt.Implementation.addArgument(arg);
```

### Add Entry to Table

Add an entry to a code replacement table by calling the function `addEntry`.

```
addEntry(hTable, hEnt);
```

### Validate Entry

After you create or modify a code replacement table entry, validate it by invoking it at the MATLAB command line. For example:

```
hTbl = crl_table_sinfcn
hTbl =
RTW.Tf1Table
  Version: '1.0'
AllEntries: [2x1 RTW.Tf1CFunctionEntry]
ReservedSymbols: []
```

```
StringResolutionMap: []
```

If the table includes errors, MATLAB reports them. The following examples shows how MATLAB reports a typo in a data type name:

```
hTbl = crl_table_sinfcn
??? RTW_CORE:tf1:Tf1Table: Unsupported data type, 'dooble'.

Error in ==> crl_table_sinfcn at 7
hTable.registerCFFunctionEntry(100, 1, 'sin', 'dooble', 'sin_dbl', ...
```

### Save Table

Save the table definition file. Use the name of the table definition function to name the file, for example, `crl_table_sinfcn.m`.

### Related Examples

- “Identify Code Replacement Requirements” on page 24-37
- “Prepare for Code Replacement Library Development” on page 24-40
- “Specify Build Information for Replacement Code” on page 24-59
- “Register Code Replacement Mappings” on page 24-68
- “Develop a Code Replacement Library” on page 24-26
- “Quick Start Library Development” on page 24-27
- “Math Function Code Replacement” on page 24-97
- “Memory Function Code Replacement” on page 24-99
- “Nonfinite Function Code Replacement” on page 24-102
- “Semaphore and Mutex Function Replacement” on page 24-105
- “Algorithm-Based Code Replacement” on page 24-112
- “Lookup Table Function Code Replacement” on page 24-115
- “Data Alignment for Code Replacement” on page 24-136
- “Replace MATLAB Functions with Custom Code Using `coder.replace`” on page 24-147
- “Replace MATLAB Functions Specified in MATLAB Function Blocks” on page 24-155
- “Customize Match and Replacement Process” on page 24-161
- “Scalar Operator Code Replacement” on page 24-167

- “Addition and Subtraction Operator Code Replacement” on page 24-170
- “Small Matrix Operation to Processor Code Replacement” on page 24-175
- “Matrix Multiplication Operation to MathWorks BLAS Code Replacement” on page 24-180
- “Matrix Multiplication Operation to ANSI/ISO C BLAS Code Replacement” on page 24-188
- “Remap Operator Output to Function Input” on page 24-195
- “Customize Code Match and Replacement for Scalar Operations” on page 24-238
- “Fixed-Point Operator Code Replacement” on page 24-198
- “Binary-Point-Only Scaling Code Replacement” on page 24-208
- “Slope Bias Scaling Code Replacement” on page 24-212
- “Net Slope Scaling Code Replacement” on page 24-216
- “Equal Slope and Zero Net Bias Code Replacement” on page 24-224
- “Data Type Conversions (Casts) and Operator Code Replacement” on page 24-228
- “Shift Left Operations and Code Replacement” on page 24-233
- “Optimize Generated Code By Developing and Using Code Replacement Libraries - Simulink®”

### **More About**

- “Code You Can Replace From Simulink Models” on page 20-4
- “Code Replacement Libraries” on page 20-23
- “Code Replacement Terminology” on page 20-25
- “Code Replacement Customization Limitations” on page 24-23



## Specify Build Information for Replacement Code

A code replacement table entry can specify build information for the code generator to use when replacing code for a match. For example, specify files for implementation replacement code if you are using a generated makefile and the code generation software compiles the code.

Add build information to an entry:

- Interactively, by using the **Build Information** tab in the Code Replacement Tool.
- Programmatically, by using a MATLAB programming interface.

### In this section...

“Build Information” on page 24-59

“Choose an Approach for Specifying Build Information” on page 24-59

“Specify Build Information Interactively with the Code Replacement Tool” on page 24-60

“Specify Build Information Programmatically” on page 24-62

## Build Information

The build information can include:

- Paths and file names for header files
- Paths and file names for source files
- Paths and file names for object files
- Compile flags
- Link flags

## Choose an Approach for Specifying Build Information

The following table lists situations to help you decide when to use an interactive or programmatic approach to specifying build information:

Situation	Approach
Creating code replacement entries for the first time.	Code Replacement Tool.

Situation	Approach
You used the Code Replacement Tool to create the entries for which the build information applies.	Code Replacement Tool to quickly specify the build information.
Rapid prototyping entries.	Code Replacement Tool to quickly generate, register, and test entries.
Developing an entry to use as a template or starting point for defining similar entries.	Code Replacement Tool to generate entry code that you can copy and modify.
Modifying existing mappings.	MATLAB Editor to update the programming interface directly.

- If an entry uses header, source, or object files, consider whether you need to make the files accessible to the code generator. You can copy files to the build folder or you can specify individual file names and paths explicitly.
- If you specify *additional* header files/include paths or source files/paths and you copy files, the compiler and utilities such as `packNGO` might find duplicate instances of files (an instance in the build folder and an instance in the original folder).
- If you choose to copy files to the build folder and you are using the `packNGO` function to relocate static and generated code files to another development environment, do not collocate files that you copy with files that you do not copy. The `packNGO` function produces an error if it finds multiple instances of the same file.
- If you use the programming interface, paths that you specify can include tokens. A token is a variable defined as a string or cell array of strings in the MATLAB workspace that you enclose with dollar signs (`$variable$`). The code generator evaluates and replaces a token with the defined value. For example, consider the path `$myfolder$\folder1`, where `myfolder` is a string variable defined in the MATLAB workspace as `'d:\work\source\module1'`. The code generator generates the custom path as `d:\work\source\module1\folder1`.

## Specify Build Information Interactively with the Code Replacement Tool

The Code Replacement Tool provides a quick, easy way for you to specify build information for code replacement table entries. It is ideal for getting started with defining a table entry, rapid prototyping, and developing table entries to use as a starting point for defining similar mappings.

- 1 Determine the information that you must specify.
- 2 Open the Code Replacement Tool.
- 3 Select the code replacement table entry for which you want to specify the build information. In the left pane, select the table that contains the entry. In the middle pane, select the entry that you want to modify.
- 4 In the right pane, select the **Build Information** tab.
- 5 On the **Build Information** tab, specify your build information.

Parameter	Specify
<b>Implementation header file</b>	File name and extension for the header file the code generator needs to generate the replacement code. For example, <code>sin_dbl.h</code> .
<b>Implementation source file</b>	File name and extension for the C or C++ source file the code generator needs to generate the replacement code. For example, <code>sin_dbl.c</code> .
<b>Additional header files/include paths</b>	Paths and file names for additional header files the code generator needs to generate the replacement code. For example, <code>C:\libs\headerFiles</code> and <code>C:\libs\headerFiles\common.h</code> . This parameter adds <code>-I</code> to the compile line in the generated makefile.
<b>Additional source files/ paths</b>	Paths and file names for additional source files the code generator needs to generate the replacement code. For example, <code>C:\libs\srcFiles</code> and <code>C:\libs\srcFiles\common.c</code> . This parameter adds <code>-I</code> to the compile line in the generated makefile.
<b>Additional object files/ paths</b>	Paths and file names for additional object files the linker needs to build the replacement code. For example, <code>C:\libs\objFiles</code> and <code>C:\libs\objFiles\common.obj</code> .
<b>Additional link flags</b>	Flags the linker needs to generate an executable file for the replacement code.
<b>Additional compile flags</b>	Flags the compiler needs to generate object code for the replacement code.

Parameter	Specify
Copy files to build directory	Whether to copy header, source, or object files, which are required to generate replacement code, to the build folder before code generation. If you specify files with <b>Additional header files/include paths</b> or <b>Additional source files/ paths</b> and you copy files, the compiler and utilities such as <code>packNGO</code> might find duplicate instances of files.

- 6 Click **Apply**.
- 7 Select the **Mapping Information** tab. Scroll to the bottom of that table and click **Validate entry**. The tool validates the changes that you made to the entry.
- 8 Save the table that includes the entry that you just modified.

## Specify Build Information Programmatically

The programming interface for specifying build information for a code replacement entry is ideal for:

- Modifying entries created with the Code Replacement Tool.
- Replicating and then modifying similar entries and tables.

The basic workflow for specifying build information programmatically is:

- 1 Identify or create the code replacement entry that you want to specify the build information.
- 2 Determine what information to specify.
- 3 Specify your build information.

Specify	Action
Implementation header file	Use one of the following: <ul style="list-style-type: none"> <li>• Set properties <code>ImplementationHeaderFile</code> and <code>ImplementationHeaderPath</code> in a call to <code>setTf1CFunctionEntryParameters</code>, <code>setTf1COperationEntryParameters</code>, or <code>setTf1CSemaphoreEntryParameters</code>. For example:</li> </ul>

Specify	Action
	<pre>setTf1CFunctionEntryParameters(hEnt, ...     'ImplementationHeaderFile', 'sin_dbl.h', ...     'ImplementationHeaderPath', 'D:/lib/headerFiles'     'Key', 'sin', ...     'ImplementationName', 'sin_dbl');</pre> <ul style="list-style-type: none"> <li>Set argument <code>headerFile</code> in a call to <code>registerCFunctionEntry</code>, <code>registerCPPFunctionEntry</code>, or <code>registerCPromotableMacroEntry</code></li> </ul>
Implementation source file	<p>Set properties <code>ImplementationSourceFile</code> and <code>ImplementationSourcePath</code> in a call to <code>setTf1CFunctionEntryParameters</code>, <code>setTf1COperationEntryParameters</code>, or <code>setTf1CSemaphoreEntryParameters</code>. For example:</p> <pre>setTf1CFunctionEntryParameters(hEnt, ...     'ImplementationHeaderFile', 'sin_dbl.c', ...     'ImplementationHeaderPath', 'D:/lib/sourceFiles'     'Key', 'sin', ...     'ImplementationName', 'sin_dbl');</pre>
Additional header files/include paths	<p>For each file, specify the file name and path in calls to the functions <code>addAdditionalHeaderFile</code> and <code>addAdditionalIncludePath</code>. For example:</p> <pre>libdir = fullfile('\${MATLAB_ROOT}', '..', '..', 'lib'); hEnt = RTW.Tf1CFunctionEntry; addAdditionalHeaderFile(hEnt, 'common.h'); addAdditionalIncludePath(hEnt, fullfile(libdir, 'include'));</pre> <p>These functions add <code>-I</code> to the compile line in the generated makefile.</p>

Specify	Action
Additional source files/paths	<p>For each file, specify the file name and path in calls to the functions <code>addAdditionalSourceFile</code> and <code>addAdditionalSourcePath</code>. For example:</p> <pre>libdir = fullfile('\$MATLAB_ROOT','..', '..', 'lib');  hEnt = RTW.Tf1CFunctionEntry;  addAdditionalSourceFile(hEnt, 'common.c'); addAdditionalSourcePath(hEnt, fullfile(libdir, 'src'));</pre> <p>These functions add <code>-I</code> to the compile line in the generated makefile.</p>
Additional object files/paths	<p>For each file, specify the file name and path in calls to the functions <code>addAdditionalLinkObj</code> and <code>addAdditionalLinkObjPath</code>. For example:</p> <pre>libdir = fullfile('\$MATLAB_ROOT','..', '..', 'lib');  hEnt = RTW.Tf1CFunctionEntry;  addAdditionalLinkObj(hEnt, 'sin.o'); addAdditionalLinkObjPath(hEnt, fullfile(libdir, 'bin'));</pre>
Compile flags	<p>Set the entry property <code>AdditionalCompileFlags</code> to a cell array of strings representing the required compile flags. For example:</p> <pre>hEnt = RTW.Tf1CFunctionEntry;  hEnt.AdditionalCompileFlags = {'-Zi -Wall', '-O3'};</pre>
Link flags	<p>Set the entry property <code>AdditionalLinkFlags</code> to a cell array of strings representing the required link flags. For example:</p> <pre>hEnt = RTW.Tf1CFunctionEntry;  hEnt.AdditionalCompileFlags = {'-MD -Gy', '-T'};</pre>

Specify	Action
Whether to copy header, source, or object files, which are required to generate replacement code, to the build folder before code generation	<p>Use one of the following:</p> <ul style="list-style-type: none"> <li>Set property <code>GenCallback</code> to <code>'RTW.copyFileToBuildDir'</code> in a call to <code>setTf1CFunctionEntryParameters</code>, <code>setTf1COperationEntryParameters</code>, or <code>setTf1CSemaphoreEntryParameters</code>. For example: <pre>setTf1CFunctionEntryParameters(hEnt, ...     'ImplementationHeaderFile', 'sin_dbl.h', ...     'ImplementationHeaderPath', 'D:/lib/headerFiles'     'Key', 'sin', ...     'ImplementationName', 'sin_dbl'     'GenCallback', 'RTW.copyFileToBuildDir');</pre> </li> <li>Set argument <code>genCallback</code> in a call to <code>registerCFunctionEntry</code>, <code>registerCPPFunctionEntry</code>, or <code>registerCPromotableMacroEntry</code> to <code>'RTW.copyFileToBuildDir'</code>.</li> </ul> <p>If a match occurs for a table entry, a call to the function <code>RTW.copyFileToBuildDir</code> copies required files to the build folder.</p> <p>If you specify additional header files/include paths or additional source files/paths and you copy files, the compiler and utilities such as <code>packNGO</code> might find duplicate instances of files.</p>

#### 4 Save the table that includes the entry that you added or modified.

The following example defines a table entry for an optimized multiplication function that takes signed 32-bit integers and returns a signed 32-bit integer, taking saturation into account. Multiplications in the generated code are replaced with calls to the optimized function. The optimized function does not reside in the build folder. For the code generator to access the files, copy them into the build folder to be compiled and linked into the application.

The table entry specifies the source and header file names and paths. To request the copy operation, the table entry sets the `genCallback` property to `'RTW.copyFileToBuildDir'` in the call to the `setTf1COperationEntryParameters` function. In this example, the header file `s32_mul.h` contains an inlined function that invokes assembly functions contained in `s32_mul.s`. If a match occurs for the table

entry, the function `RTW.copyFileToBuildDir` copies the specified source and header files to the build folder for use during the remainder of the build process.

```
function hTable = make_my_crl_table

hTable = RTW.Tf1Table;

op_entry = RTW.Tf1COperationEntry;
setTf1COperationEntryParameters(op_entry, ...
    'Key', 'RTW_OP_MUL', ...
    'Priority', 100, ...
    'SaturationMode', 'RTW_SATURATE_ON_OVERFLOW', ...
    'RoundingModes', {'RTW_ROUND_UNSPECIFIED'}, ...
    'ImplementationName', 's32_mul_s32_sat', ...
    'ImplementationHeaderFile', 's32_mul.h', ...
    'ImplementationSourceFile', 's32_mul.s', ...
    'ImplementationHeaderPath', {fullfile('${MATLAB_ROOT}','crl')}, ...
    'ImplementationSourcePath', {fullfile('${MATLAB_ROOT}','crl')}, ...
    'GenCallback', 'RTW.copyFileToBuildDir');
.
.
.
addEntry(hTable, op_entry);
```

The following example uses the functions `addAdditionalHeaderFile`, `addAdditionalIncludePath`, `addAdditionalSourceFile`, `addAdditionalSourcePath`, `addAdditionalLinkObj`, and `addAdditionalLinkObjPath` in addition to the code generation callback function `RTW.copyFileToBuildDir`.

```
hTable = RTW.Tf1Table;

% Path to external source, header, and object files
libdir = fullfile('${MATLAB_ROOT}','..', '..', 'lib');

op_entry = RTW.Tf1COperationEntry;
setTf1COperationEntryParameters(op_entry, ...
    'Key', 'RTW_OP_ADD', ...
    'Priority', 90, ...
    'SaturationMode', 'RTW_SATURATE_UNSPECIFIED', ...
    'RoundingModes', {'RTW_ROUND_UNSPECIFIED'}, ...
    'ImplementationName', 's32_add_s32_s32', ...
    'ImplementationHeaderFile', 's32_add_s32_s32.h', ...
    'ImplementationSourceFile', 's32_add_s32_s32.c'...
    'GenCallback', 'RTW.copyFileToBuildDir');

addAdditionalHeaderFile(op_entry, 'all_additions.h');
addAdditionalIncludePath(op_entry, fullfile(libdir, 'include'));
addAdditionalSourceFile(op_entry, 'all_additions.c');
addAdditionalSourcePath(op_entry, fullfile(libdir, 'src'));
addAdditionalLinkObj(op_entry, 'addition.o');
addAdditionalLinkObjPath(op_entry, fullfile(libdir, 'bin'));
.
```



```
.  
.br/>addEntry(hTable, op_entry);
```

## Related Examples

- “Identify Code Replacement Requirements” on page 24-37
- “Prepare for Code Replacement Library Development” on page 24-40
- “Define Code Replacement Mappings” on page 24-42
- “Register Code Replacement Mappings” on page 24-68
- “Develop a Code Replacement Library” on page 24-26
- “Relocate Code to Another Development Environment”
- “Optimize Generated Code By Developing and Using Code Replacement Libraries - Simulink®”

## More About

- “What Is Code Replacement Customization?” on page 24-3
- “Code Replacement Libraries” on page 20-23
- “Code Replacement Terminology” on page 20-25
- “Code Replacement Customization Limitations” on page 24-23

## Register Code Replacement Mappings

After you define code replacement entries in a code replacement table, you can include the table in a code replacement library that you register with the code generator. When registered, a library appears in the list of available code replacement libraries that you can choose from when configuring the code generator.

Register a code replacement table as a code replacement library:

- Interactively, by using the Code Replacement Tool
- Programmatically, by using a MATLAB programming interface

In this section...
“Choose an Approach for Creating the Registration File” on page 24-68
“Create Registration File Interactively with the Code Replacement Tool” on page 24-69
“Create Registration File Programmatically” on page 24-71
“Register a Code Replacement Library” on page 24-73
“Register a Library that Includes Multiple Code Replacement Tables” on page 24-73
“Registration Files That Define Code Replacement Library Hierarchies” on page 24-74

### Choose an Approach for Creating the Registration File

The following table lists situations to help you decide when to use an interactive or programmatic approach to creating a registration file:

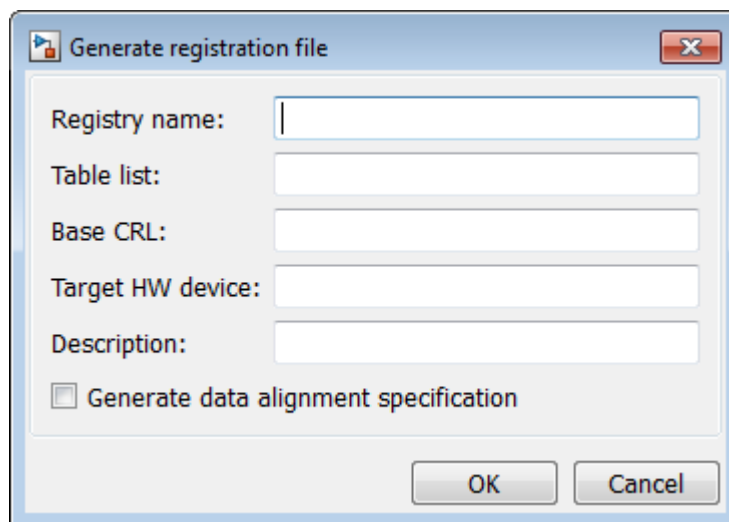
If...	Then...
Registering a code replacement table for the first time	Use the Code Replacement Tool.
You used the Code Replacement Tool to create the table	Use the Code Replacement Tool to quickly register the table.
Rapid prototyping code replacement	Use the Code Replacement Tool to quickly generate, register, and test entries.
Creating registration file to use as a template or starting point	Use the Code Replacement Tool to generate code that you can copy and modify.

If...	Then...
for defining similar registration files	
Modifying existing registration files	Use the MATLAB Editor to update the registration file.
Defining multiple code replacement libraries in one registration file	Use the MATLAB Editor to create a new or extend an existing registration file.
Defining code replacement library hierarchy in a registration file	Use the MATLAB Editor to create a new or extend an existing registration file.

## Create Registration File Interactively with the Code Replacement Tool

The Code Replacement tool provides a quick, easy way for you to create a registration file for a code replacement table. It is ideal for getting started, rapid prototyping, and generating a registration file that you want to use as a starting point for similar registrations.

- 1 After you validate and save a code replacement table, select **File > Generate registration file** to open the **Generate registration file** dialog box.



2 Enter the registration information. Minimally, specify:

For...	Specify...
<b>Registry name</b>	String naming the code replacement library. For example, <b>Sin Function Example</b> .
<b>Table list</b>	<p>Strings naming one or more code replacement tables to include in the library. Specify each table as one of the following:</p> <ul style="list-style-type: none"> <li>• Name of a table file on the MATLAB search path</li> <li>• Absolute path to a table file</li> <li>• Path to a table file relative to \$(MATLAB_ROOT)</li> </ul> <p>You can specify multiple tables. If you do, separate the table specifications with a comma. For example:</p> <pre>crl_table_sinfcn, c:/work_crl/crl_table_muldiv</pre> <p>See “Registration Files That Define Multiple Code Replacement Libraries” on page 25-62 for examples of each type of table specification.</p>

Optionally, you can specify:

For...	Specify...
<b>Description</b>	Text string that describes the purpose and content of the library.
<b>Target HW device</b>	Strings naming one or more hardware devices the code replacement library supports. Separate names with a comma. To support all device types, enter an asterisk (*). For example, <b>TI C28x, TI C62x</b> .
<b>Base CRL</b>	String naming a code replacement library that you want to serve as a base library for the library you are registering. Use this field to specify library hierarchies. For example, you can specify a general <b>TI device library</b> as the base library for a more specific <b>TI C28x device library</b> .

For...	Specify...
Generate data alignment specification	Flag that enables data alignment specification.

## Create Registration File Programmatically

The programming interface for creating a registration file for a code replacement table is ideal for:

- Modifying registration files created with the Code Replacement Tool
- Replicating and modifying similar registration files
- Defining multiple code replacement libraries in one registration file

The basic workflow for creating a registration file programmatically consists of the following steps:

- 1 Define an `rtwTargetInfo` function. The code generator recognizes this function as a customization file. The function definition must include at least the following content:

```
function rtwTargetInfo(cm)

cm.registerTargetInfo(@loc_register_cr1);

function this = loc_register_cr1

this(1) = RTW.Tf1Registry;
this(1).Name = 'cr1-name';
this(1).TableList = {'table',...};
```

For...	Replace...
<code>this(1).Name = 'cr1-name';</code>	<code>cr1-name</code> with a string naming the code replacement library. For example, <code>Sin Function Example</code> .
<code>this(1).TableList = {'table',...};</code>	<code>table</code> with a string that identifies the code replacement table that contains your code replacement entries. Specify a table as one of the following:

For...	Replace...
	<ul style="list-style-type: none"> <li>• Name of a table file on the MATLAB search path</li> <li>• Absolute path to a table file</li> <li>• Path to a table file relative to \$(MATLAB_ROOT)</li> </ul> <p>You can specify multiple tables. If you do, separate the table specifications with commas.</p>

Optionally, you can specify:

For...	Replace...
<code>this(1).Description = 'text'</code>	<i>text</i> with a string that describes the purpose and content of the library.
<code>this(1).TargetHWDeviceType = {'device-type',...}</code>	<i>device-type</i> with a string that names a hardware device the code replacement library supports. You can specify multiple device types. Separate device types with a comma. For example, TI C28x, TI C62x. To support all device types, enter an asterisk (*).
<code>this(1).BaseTfl = 'base-lib'</code>	<i>base-lib</i> with a string that names a code replacement library that you want to serve as a base library for the library you are registering. Use this field to specify library hierarchies. For example, you can specify a general TI device library as the base library for a TI C28x device library.  See “Registration Files That Define Code Replacement Library Hierarchies” on page 25-63 for an example.

For example:

```
function rtwTargetInfo(cm)
```

```

cm.registerTargetInfo(@loc_register_crl);

function this = loc_register_crl

this(1) = RTW.TflRegistry;
this(1).Name = 'Sin Function Example';
this(1).TableList = {'crl_table_sinfcn'};
this(1).TargetHWDeviceType = {'*'};
this(1).Description = 'Example - sin function replacement';

```

- 2 Save the file with the name `rtwTargetInfo.m`.
- 3 Place the file on the MATLAB path. When the file is on the MATLAB path, the code generator reads the file after starting and applies the customizations during the current MATLAB session.

## Register a Code Replacement Library

Before you can use the code replacement tables defined in a registration file, refresh Simulink customizations within the current MATLAB session. To initiate a refresh, enter the following command:

```
sl_refresh_customizations
```

## Register a Library that Includes Multiple Code Replacement Tables

Use the programming interface to create a registration file that defines a code replacement library that includes multiple code replacement tables. The following example defines a library that includes multiple tables. The `TableList` fields specify tables that reside at different locations. The tables reside on the MATLAB search path or at locations specified with path strings.

```

function rtwTargetInfo(cm)

cm.registerTargetInfo(@locCrlRegFcn);

function thisCrl = locCrlRegFcn

% Register a code replacement library for use with model: rtwdemo_crladdsub
thisCrl(1) = RTW.TflRegistry;
thisCrl(1).Name = 'Addition & Subtraction Examples';
thisCrl(1).Description = 'Example of addition/subtraction op replacement';
thisCrl(1).TableList = {'crl_table_addsub'};
thisCrl(1).TargetHWDeviceType = {'*'};

% Register a code replacement library for use with model: rtwdemo_crlmuldiv

```

```

thisCr1(2) = RTW.TflRegistry;
thisCr1(2).Name = 'Multiplication & Division Examples';
thisCr1(2).Description = 'Example of mult/div op repl for built-in integers';
thisCr1(2).TableList = {'c:/work_cr1/cr1_table_muldiv'};
thisCr1(2).TargetHWDeviceType = {'*'};

% Register a code replacement library for use with model: rtwdemo_cr1fixpt
thisCr1(3) = RTW.TflRegistry;
thisCr1(3).Name = 'Fixed-Point Examples';
thisCr1(3).Description = 'Example of fixed-point operator replacement';
thisCr1(3).TableList = {fullfile('${MATLAB_ROOT}', ...
    'toolbox', 'rtw', 'rtwdemos', 'cr1_demo', 'cr1_table_fixpt')};
thisCr1(3).TargetHWDeviceType = {'*'};

```

## Registration Files That Define Code Replacement Library Hierarchies

Using the programming interface, you can organize multiple code replacement libraries in a hierarchy. The following example shows a registration file that defines four code replacement tables organized in a hierarchy of four code replacement libraries. The tables include entries that increase in specificity: common entries, entries for TI devices, entries for TI C6xx devices, and entries specific to the TI C67x device.

```

function rtwTargetInfo(cm)

cm.registerTargetInfo(@locCr1RegFcn);

function thisCr1 = locCr1RegFcn

% Register a code replacement library that includes common entries
thisCr1(1) = RTW.TflRegistry;
thisCr1(1).Name = 'Common Replacements';
thisCr1(1).Description = 'Common code replacement entries shared by other libraries';
thisCr1(1).TableList = {'cr1_table_general'};
thisCr1(1).TargetHWDeviceType = {'*'};

% Register a code replacement library for TI devices
thisCr1(2) = RTW.TflRegistry;
thisCr1(2).Name = 'TI Device Replacements';
thisCr1(2).Description = 'Code replacement entries shared across TI devices';
thisCr1(2).TableList = {'cr1_table_TI_devices'};
thisCr1(2).TargetHWDeviceType = {'TI C28x', 'TI C55x', 'TI C62x', 'TI C64x', 'TI 67x'};
thisCr1(1).BaseTfl = 'Common Replacements'

% Register a code replacement library for TI c6xx devices
thisCr1(3) = RTW.TflRegistry;
thisCr1(3).Name = 'TI c6xx Device Replacements';
thisCr1(3).Description = 'Code replacement entries shared across TI C6xx devices';
thisCr1(3).TableList = {'cr1_table_TIC6xx_devices'};
thisCr1(3).TargetHWDeviceType = {'TI C62x', 'TI C64x', 'TI 67x'};

% Register a code replacement library for the TI c67x device
thisCr1(3) = RTW.TflRegistry;
thisCr1(3).Name = 'TI c67x Device Replacements';
thisCr1(3).Description = 'Code replacement entries for the TI C67x device';
thisCr1(3).TableList = {'cr1_table_TIC67x_device'};
thisCr1(3).TargetHWDeviceType = {'TI 67x'};

```



## Related Examples

- “Define Code Replacement Mappings” on page 24-42
- “Data Alignment for Code Replacement” on page 24-136
- “Specify Build Information for Replacement Code” on page 24-59
- “Develop a Code Replacement Library” on page 24-26
- “Quick Start Library Development” on page 24-27
- “Deploy Code Replacement Library” on page 24-96
- “Optimize Generated Code By Developing and Using Code Replacement Libraries - Simulink®”

## More About

- “What Is Code Replacement?” on page 20-2
- “What Is Code Replacement Customization?” on page 24-3
- “Code Replacement Libraries” on page 20-23
- “Code Replacement Terminology” on page 20-25

## Troubleshoot Code Replacement Library Registration

If a code replacement library is not listed as a configuration option or does not appear in the Code Replacement Viewer:

- Refresh the library registration information within the current MATLAB session (`RTW.TargetRegistry.getInstance('reset')`; or for the Simulink environment, `sl_refresh_customizations`).
- See whether the registration file, `rtwTargetInfo.m`, contains an error.

### Related Examples

- “Register Code Replacement Mappings” on page 24-68

## Code Replacement Hits and Misses

The code generator logs code replacement table entries for which it finds and does not find matches in the hit cache and miss cache, respectively. When a code replacement entry match fails and code is not replaced, the code generator logs the call site object (CSO) for the miss in the miss cache. When an entry match succeeds, the code generator logs the matched entry in the hit cache.

The code generator overwrites the hit and miss cache data each time it produces code. The cache data reflects hits and misses for only the last application component (MATLAB code or Simulink model) for which you generate code.

You can use the Code Replacement Viewer to review trace information based on logged hit and miss trace data. The hit cache provides trace information that helps to verify code replacements.

The miss cache and related miss data collected and stored in code replacement tables provide trace information for misses. Use this information for misses to troubleshoot expected code replacements that do not occur. Trace information for a miss:

- Identifies the call site object.
- Provides a link to the relevant source location for the miss.
- Includes information about the reason for the miss.

### Related Examples

- “Verify Code Replacements” on page 24-78
- “Troubleshoot Code Replacement Misses” on page 24-88

## Verify Code Replacements

After you create or modify a code replacement table, use the following techniques to examine and validate the table and its entries.

- Invoke the table definition file at the command prompt.
- Use the Code Replacement Viewer to examine libraries, tables, and entries.
- Trace code replacements from the source where you applied the code replacement library.
- Examine code replacement hits and misses logged during code generation.

### In this section...

“Validate Table Definition File” on page 24-78

“Review Library Content” on page 24-78

“Review Table Content” on page 24-80

“Review Code Replacements” on page 24-83

## Validate Table Definition File

After you create or modify a code replacement table definition file, validate it. At the command prompt, specify the name of the table in a call to the `isvalid` function. For example:

```
isvalid(cr1_table_sinfcn)
```

```
ans =
```

```
1
```

MATLAB displays errors that occur. In the following example, MATLAB detects a typo in a data type name.

```
isvalid(cr1_table_sinfcn)
```

```
??? RTW_CORE:tfl:TflTable: Unsupported data type, 'dooble'.
```

```
Error in ==> cr1_table_sinfcn at 7
hTable.registerCFunctionEntry(100, 1, 'sin', 'dooble', 'sin_dbl', ...
```

## Review Library Content

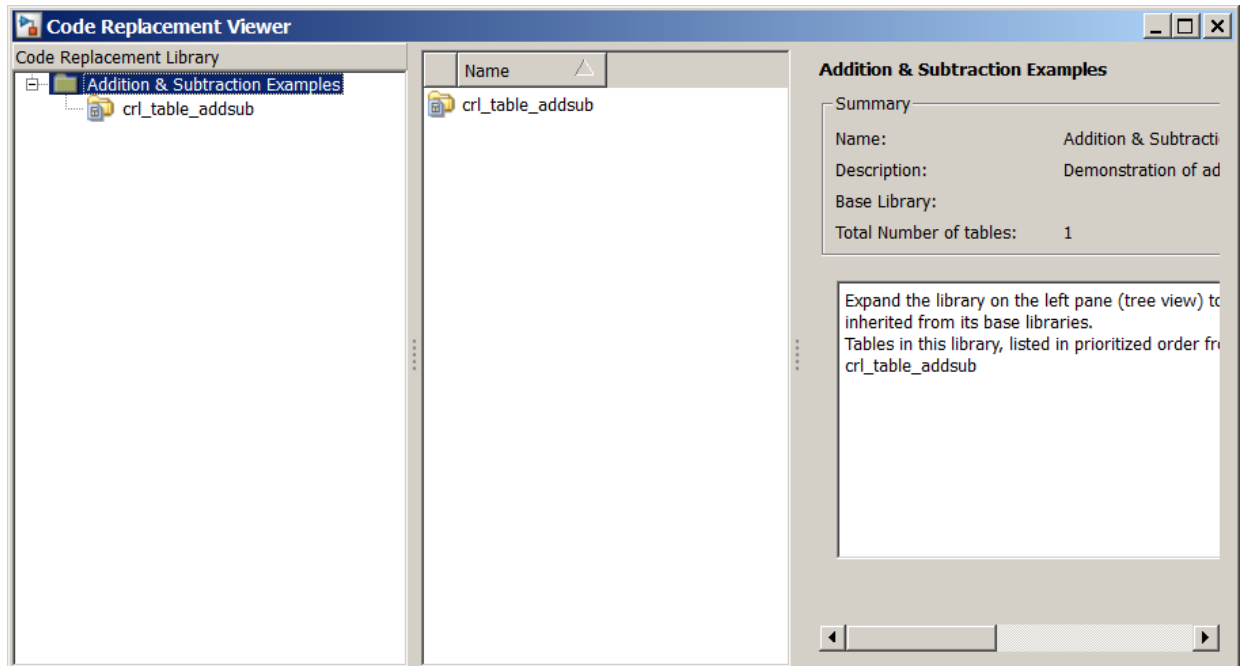
After you create or modify a code replacement library, use the Code Replacement Viewer to review and verify the list of tables in the library and the entries in each table.

- 1 Open the viewer to display the contents of your library. At the command prompt, enter the following command:

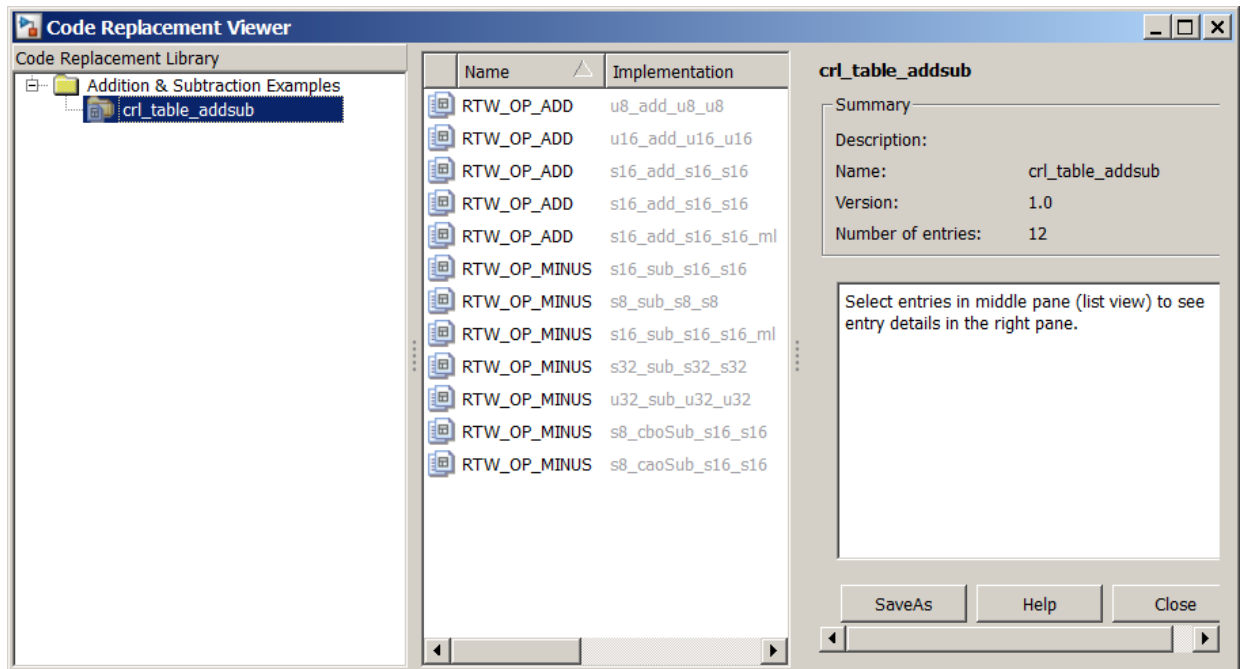
```
crviewer('library')
```

For example:

```
crviewer('Addition & Subtraction Examples')
```



- 2 Review the list of tables in the left pane. Are tables missing? Are the tables listed in the correct relative order? By default, the viewer displays tables in search order.
- 3 In the left pane, click each table and review the list of entries in the center pane. Are entries missing? Does the list include extraneous or unexpected entries?



## Review Table Content

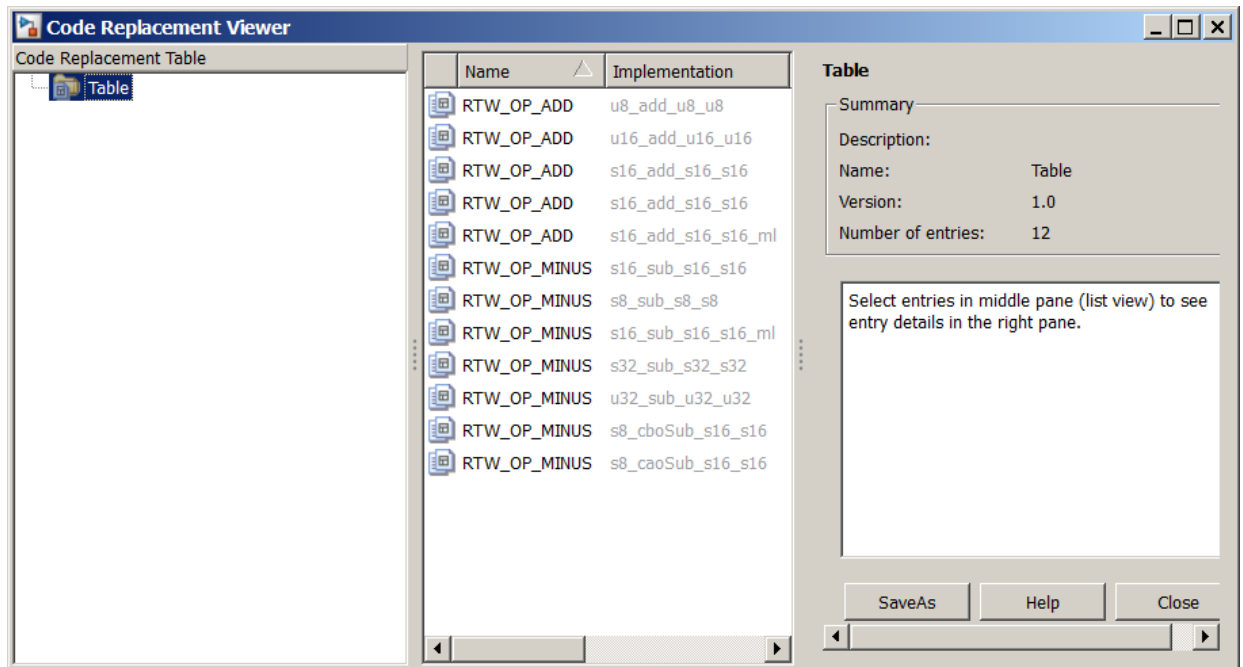
After you create or modify a code replacement table, use the Code Replacement Viewer to review and verify table entries.

- 1 Open the viewer to display the contents of your table. At the command prompt, enter the following command. *table* is a MATLAB file that defines code replacement tables. The file must be in the current folder or on the MATLAB path.

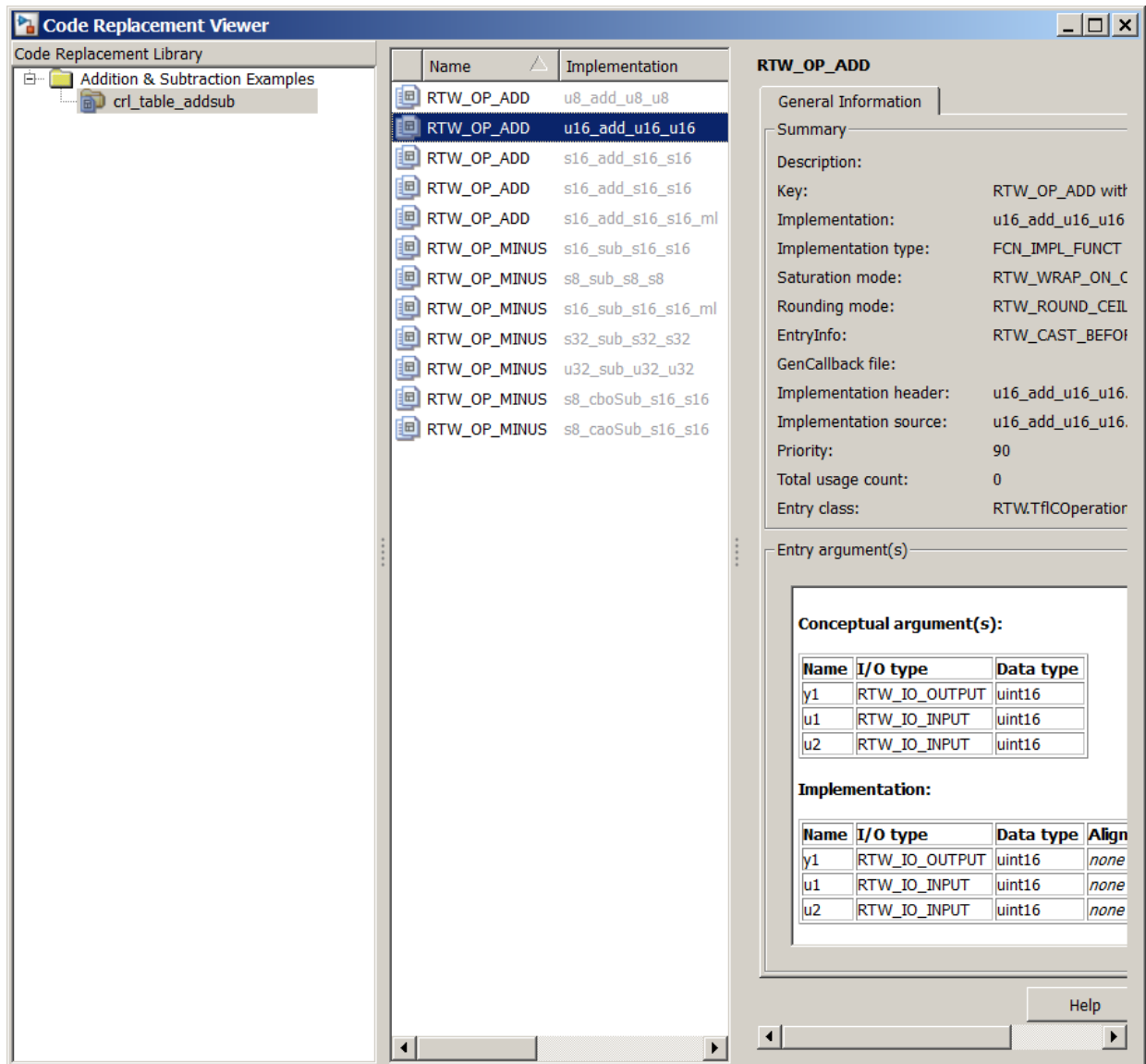
```
crviewer(table)
```

For example:

```
crviewer(crl_table_addsub)
```



- 2 Review the list of entries in the center pane. Are entries missing? Does the list include extraneous or unexpected entries? By default, the viewer displays entries in search order.
- 3 In the center pane, click each entry and verify the entry information in the right pane.



- Argument order is correct.



- Conceptual argument names match code generator naming conventions.
- Implementation argument names are correct.
- Algorithm properties (for example, saturation and rounding mode) are set correctly.
- Header or source file specification is not missing.
- I/O types are correct.
- Relative priority of entries is correct.

## Review Code Replacements

After you review the content of your code replacement library and tables, generate code and a code generation report. Verify that the code generator replaces code as you expect.

The Code Replacements Report details the code replacement library functions that the code generator uses for code replacements. The report provides a mapping between each replacement instance and the model element that triggered the replacement.

The following example illustrates two complementary approaches to reviewing code replacements:

- Check the Code Replacements Report section of the code generation report for expected replacements.
- Trace code replacements.

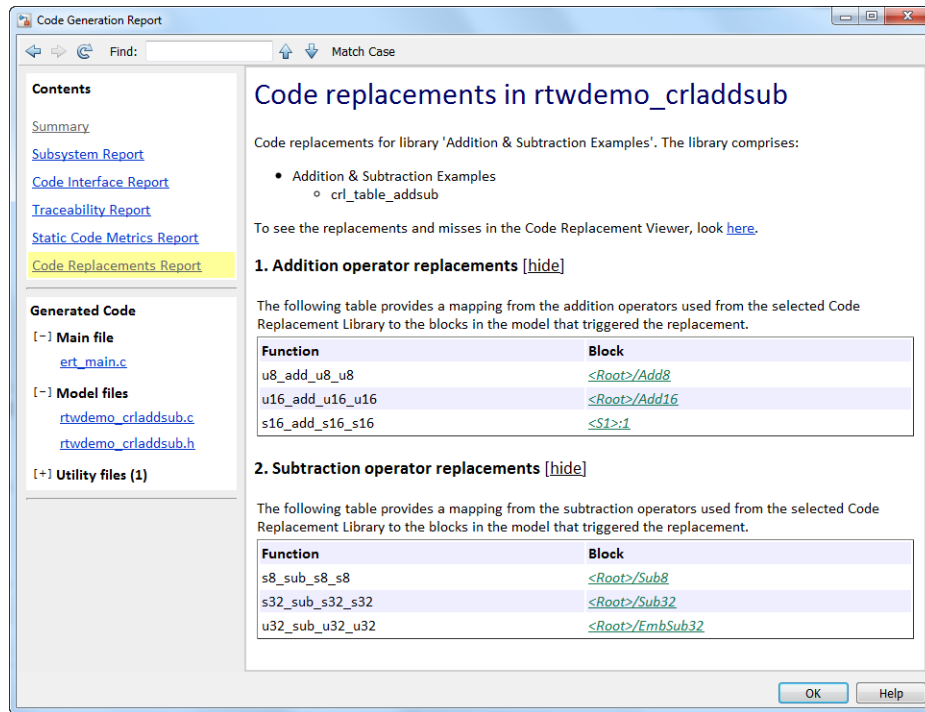
For models that consist of model hierarchies, repeat the following procedure for each model in the hierarchy. Generate code for and review the trace information of each referenced model separately. Logged cache hit and miss information captured in the Code Replacement Viewer is valid for the last model for which code was generated. As you generate code for each model in the hierarchy, the code generator overwrites logged information.

- 1 Open the model where you anticipate that a function or operator replacement occurs. This example uses the model `rtwdemo_crladdsub`.
- 2 Configure the code generator to use your code replacement library. For this example, set the library to **Addition & Subtraction Examples**.
- 3 Configure the code generation report to include the Code Replacements Report. On the **Code Generation > Report** pane, select:

- **Create code generation report**
  - **Open report automatically**
  - **Model-to-code**
  - **Summarize which blocks triggered code replacements**
- 4** Configure comments for the generated code. On the **Code Generation > Comments** pane, select:
- **Include comments**
  - Either or both of **Simulink block / Stateflow object comments** and **Simulink block descriptions**

In the **Code Replacements Report**, these options include Simulink block information.

- 5** Configure the code generator to generate only code. Before you build an executable file, review your code replacements in the generated code.
- 6** Generate code and a report.
- 7** Open the **Code Replacements Report** section of the code generation report.



The report lists the replacement functions that the code generator used. It provides a mapping between each replacement instance and the Simulink block that triggered the replacement.

Review the report:

- Check whether expected function and operator code replacements occurred.
  - In the replacements sections, click each block link to see the source that triggered the reported code replacement.
- 8** In the Simulink model window, use model-to-code highlighting to trace code replacements. Identify and right-click a block where you expected code replacement to occur. Select **C/C++ Code > Navigate to C/C++ Code**. The code generation report appears with the corresponding replacement code highlighted. In the example model `rtwdemo_crladdsub`, right-click the `Add8` block and select **C/C++ Code > Navigate to C/C++ Code**.

```

24 /* Real-time model */
25 RT_MODEL rtM;
26 RT_MODEL *const rtM = &rtM;
27
28 /* Model step function */
29 void rtwdemo_crladdsub_step(void)
30 {
31 /* Output: '<Root>/Out1' incorporates:
32  * Inport: '<Root>/In1'
33  * Inport: '<Root>/In2'
34  * Sum: '<Root>/Add8'
35  */
36 rtY.Out1 = u8_add_u8_u8(rtU.In1, rtU.In2);
37
38 /* Output: '<Root>/Out2' incorporates:
39  * Inport: '<Root>/In3'
40  * Inport: '<Root>/In4'
41  * Sum: '<Root>/Add16'
42  */
43 rtY.Out2 = u16_add_u16_u16(rtU.In3, rtU.In4);

```

Inspect the generated code to see if the function or operator replacement occurred as you expected.

If a function or operator is not replaced as expected, the code generator used a higher-priority (lower-priority value) match or did not find a match.

To analyze and troubleshoot code replacement misses, use the trace information that the Code Replacement Viewer provides. See “Troubleshoot Code Replacement Misses” on page 24-88.

## Related Examples

- “Replace Code Generated from Simulink Models” on page 20-29
- “Generate a Code Generation Report” on page 19-8
- “Reports for Code Generation” on page 19-2
- “Traceability in Code Generation Report” on page 19-18

- “Choose a SIL or PIL Approach” on page 36-8
- “Configure Build Process”
- “Build and Run a Program”
- “Develop a Code Replacement Library” on page 24-26
- “Optimize Generated Code By Developing and Using Code Replacement Libraries - Simulink®”

## **More About**

- “Code Replacement Hits and Misses” on page 24-77
- “What Is Code Tracing?” on page 33-2
- “About SIL and PIL Simulations” on page 36-3
- “Code Replacement Libraries” on page 20-23
- “Code Replacement Terminology” on page 20-25
- “Code Replacement Customization Limitations” on page 24-23

## Troubleshoot Code Replacement Misses

Use miss reason messages that appear in the Code Replacement Viewer to analyze and correct code replacement misses.

<b>In this section...</b>
---------------------------

“Miss Reason Messages” on page 24-88
--------------------------------------

“Analyze and Correct Code Replacement Misses” on page 24-89
---

### Miss Reason Messages

The Code Replacement Viewer displays miss reason messages in trace information for code replacement misses. A legend listing each message that appears in the miss report precedes the report details. A message consists of:

- Numeric identifier, which identifies the message in the report details.
- Message text, which in some cases includes placeholders for names of arguments, call site object values, table entry values, and property names.

For example:

1. Mismatched data types (argument name, CSO value, table entry value)

The parenthetical information represents placeholders for actual values that appear in the report details.

In the **Miss Source Locations** table that lists the miss details, the **Reason** column includes:

- The message identifier, as listed in the legend.
- The placeholder values for that instance of the miss reason message.

The following **Reason** details indicate a data type mismatch because the call site object specifies data type `int8` for arguments `y1`, `u1`, and `u2`, while the code replacement table entry specifies `uint32`.

1. `y1, int8, uint32`

```
u1, int8, uint32
u2, int8, uint32
```

Depending on your situation and the reported miss reason, troubleshoot reported misses by looking for instances of the following:

- A typo in the code replacement table entry definition or a source parameter setting.
- Information missing from the code replacement table entry or a source parameter setting.
- Invalid or incorrect information in the code replacement table entry definition or a source parameter setting.
- Arguments incorrectly ordered in the code replacement table entry definition or the source being replaced with replacement code.
- Failed algorithm classification for an addition or subtraction operation due to:
  - An ideal accumulator not being calculated because the type of an input argument is not fixed-point or the slope adjustment factors of the input arguments are not equal.
  - Input or output casts with a floating-point cast type.
  - Input or output casts with cast types that have different slope adjustment factors or biases.
  - Output casts not being convertible to a single output cast.
  - Input casts resulting in loss of bits.

## Analyze and Correct Code Replacement Misses

The following example shows how to use Code Replacement Viewer trace information to troubleshoot code replacement misses. You must have already reviewed and tested code replacements for your model.

- 1 Review the code generated for a model element, looking for expected code replacements. For this example, examine the code generated for block Sub32 in model `rtwdemo_crladdsub`. Right-click the block and select **C/C++ Code > Navigate to C/C++ Code**.

The Code Generation Report opens to the location of the generated code for that block.

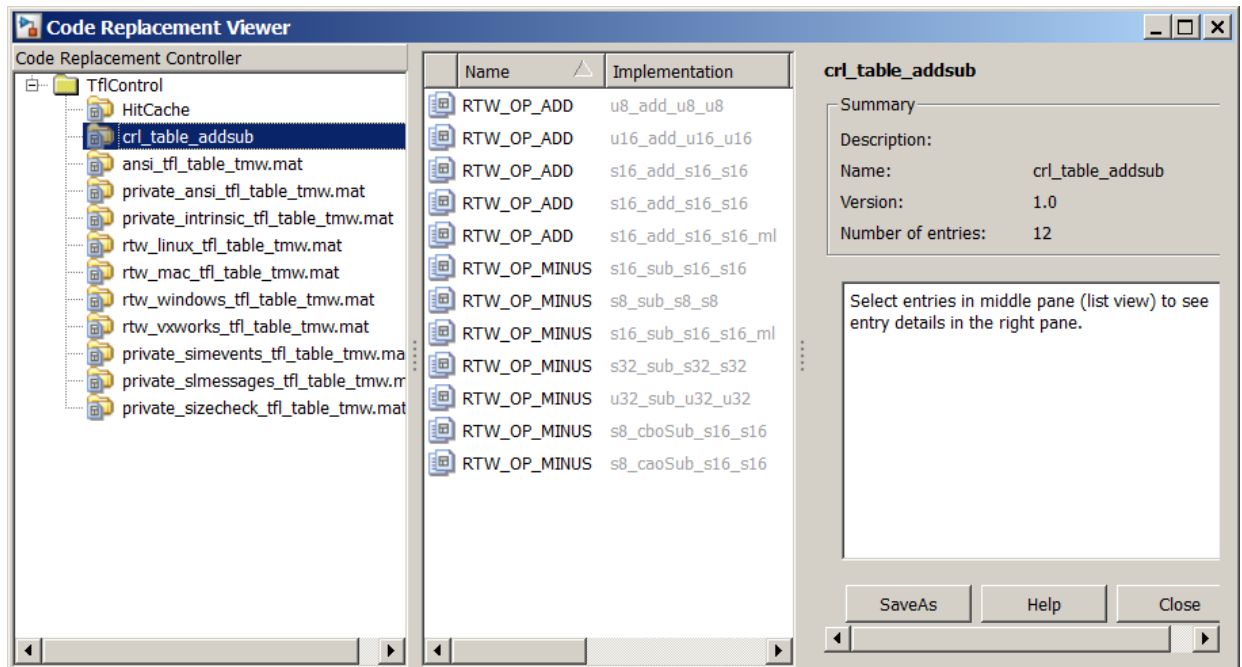
```

63 /* Output: '<Root>/Out5' incorporates:
64 * Inport: '<Root>/In10'
65 * Inport: '<Root>/In9'
66 * Sum: '<Root>/Sub32'
67 */
68 rtY.Out5 = s32_sub_s32_s32(rtU.In9, rtU.In10);

```

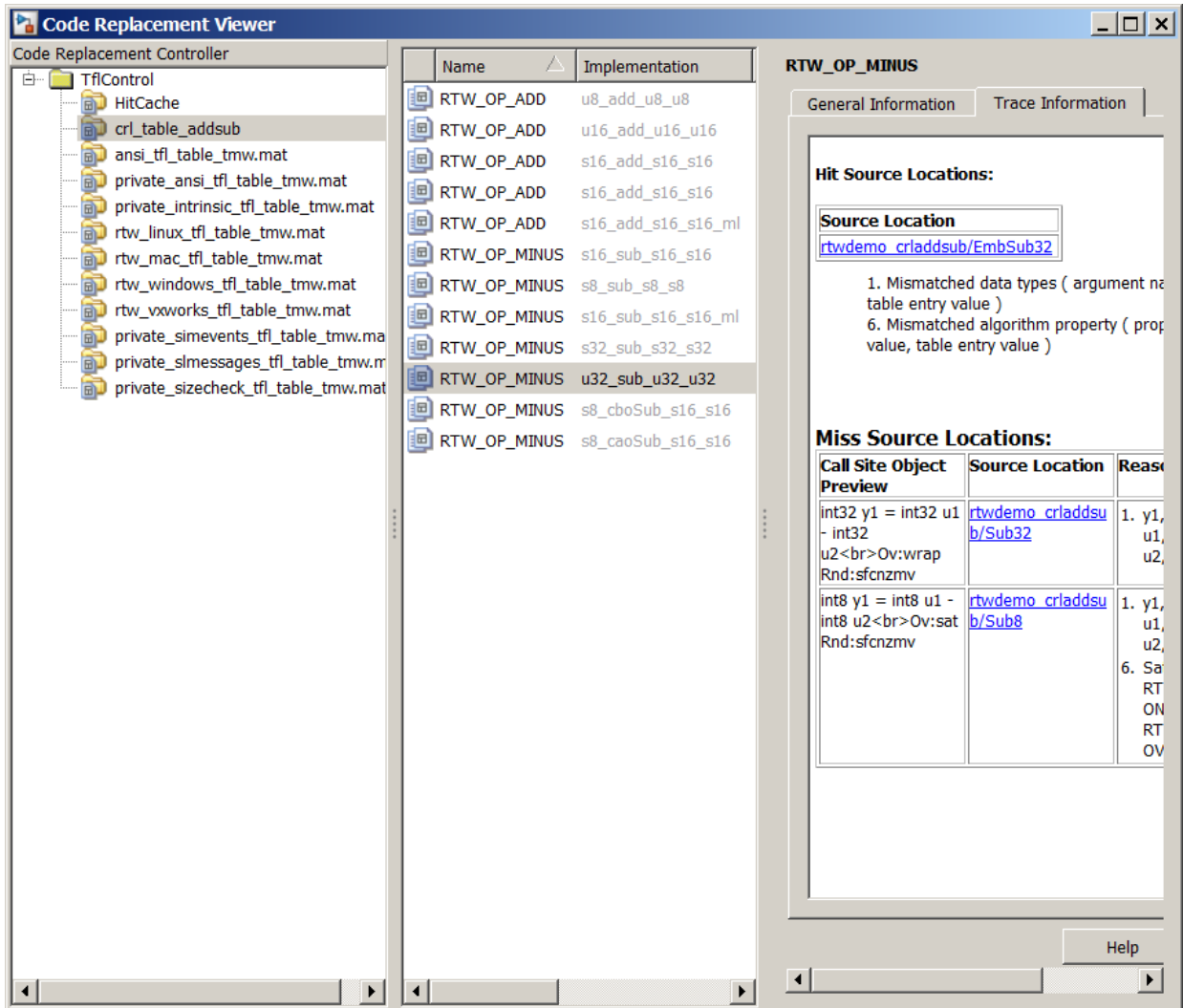
The code generator replaced code, but the replacement was for the signed version of the 32-bit subtraction operation. You expected an unsigned operation.

- 2 Regenerate or reopen the Code Replacements Report for your model. If you already generated the code generation report that includes the Code Replacements Report for model `rtwdemo_crladdsub`, open the file `rtwdemo_crladdsub_ert_rtw/html/rtwdemo_crladdsub_codegen_rpt.html`. For information on how to regenerate the report, see “Review Code Replacements” on page 24-83.
- 3 Click the link to open the Code Replacement Viewer.
- 4 In the viewer left pane, select your code replacement table. The following display shows entries for code replacement table `crl_table_addsub`.





- 5 In the middle pane, select table entry RTW\_OP\_MINUS with implementation function u32\_sub\_u32\_u32.
- 6 In the right pane, select the **Trace Information** tab.



The **Trace Information** is a table that lists the following information for each miss:

- Call site object preview. The call site object is the conceptual representation of a subtraction operator. The code generator uses this object to query the code replacement library for a match.
- A link to the source location in the model for which the code generator considered replacing code.
- The reasons that the miss occurred. For the list of reasons that misses occur, see “Miss Reason Messages” on page 24-88.

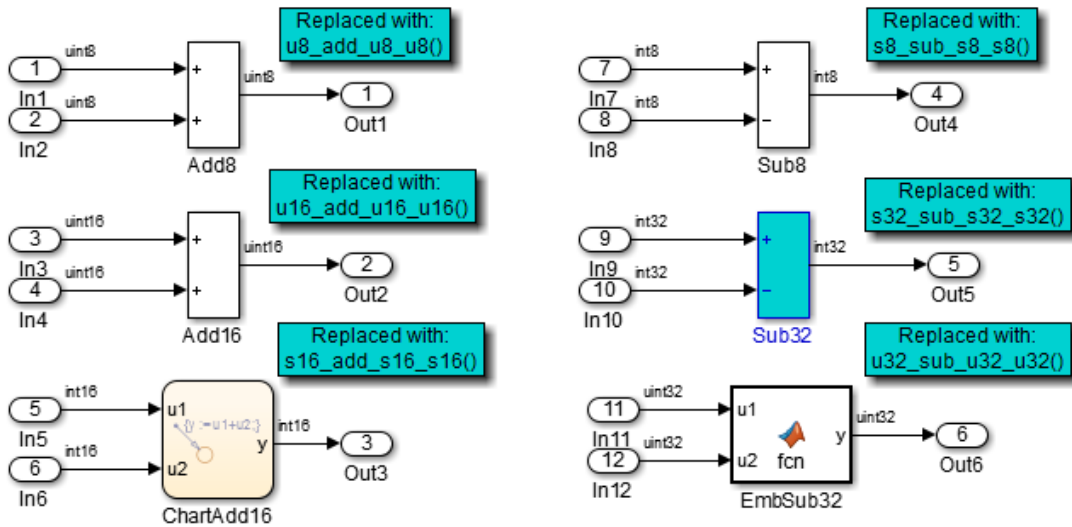
For this example, the report shows misses for two blocks: Sub32 and Sub8.

- 7** Find that source in the trace information. Depending on your situation and the reported miss reason, consider looking for a condition such as a typo in the code replacement table entry definition or in a source parameter setting. “Miss Reason Messages” on page 24-88 lists conditions to consider.

For this example, determine why code for the Sub32 block was not replaced with code for an unsigned 32-bit subtraction operation. The miss reason for the Sub32 block indicates a data type mismatch. The data type in the call site object for the three arguments is a signed 32-bit integer. The code replacement entry specifies an unsigned 32-bit integer.

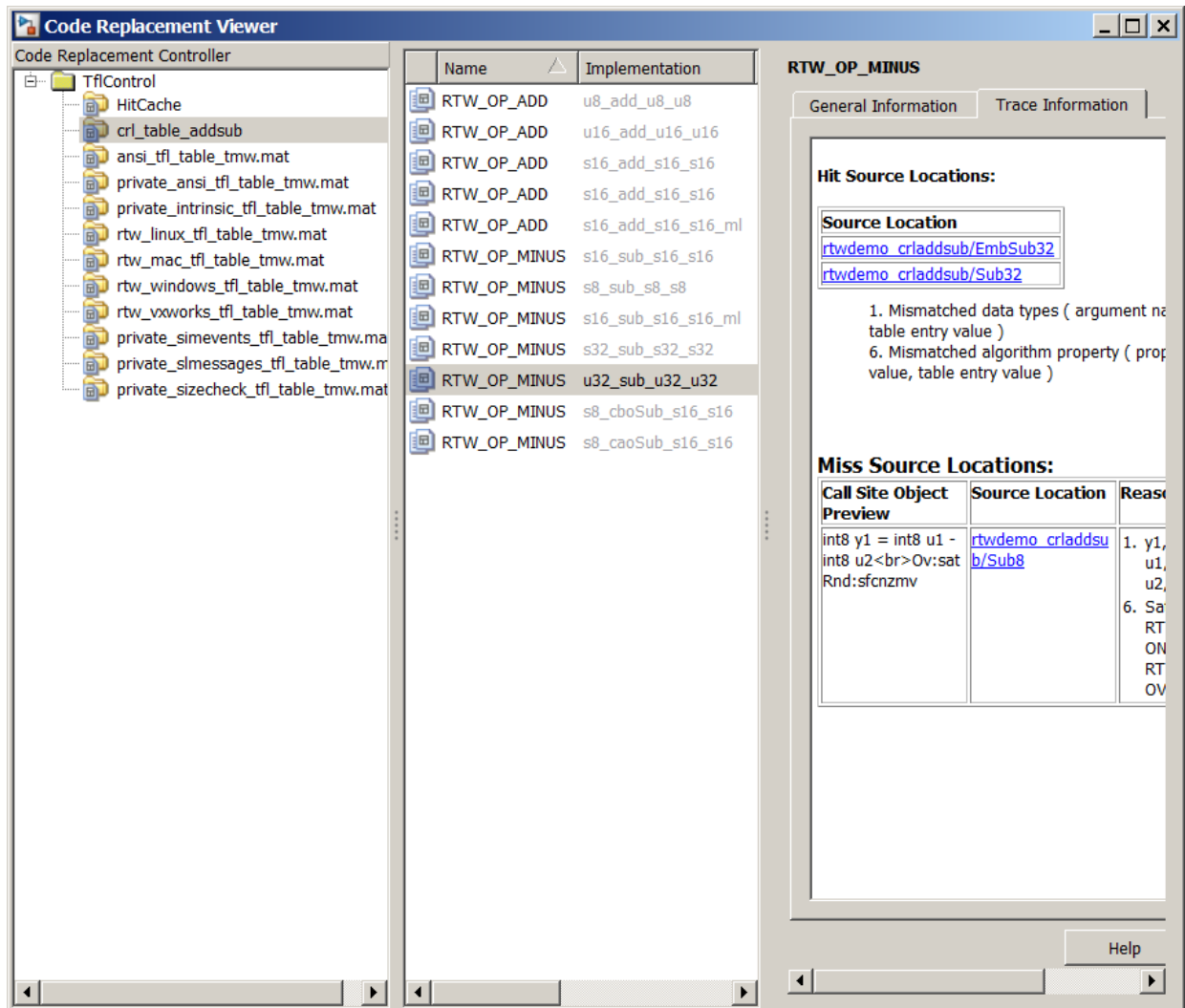
- 8** Correct the model or code replacement table entry. If the issue is in the model, use the source location link in the trace information to find the model element to correct. For this example, you expected an unsigned subtraction operation for the Sub32 block. Click the link in the trace report for the Sub32 block.

The model opens with the Sub32 block highlighted.



Change the data type setting for the two input signals and the output signal for the Sub32 block to uint32.

- 9 Regenerate code. Use the Code Replacement Viewer trace information to verify that your model or code replacement table entry corrects the code replacement issue. In the following display, the trace information shows a hit for block Sub32.



## Related Examples

- “Verify Code Replacements” on page 24-78
- “Addition and Subtraction Operator Code Replacement” on page 24-170

## **More About**

- “Code Replacement Hits and Misses” on page 24-77

## Deploy Code Replacement Library

When you are ready to package and deploy a custom code replacement library for others to use,

- 1 Move your code replacement table files to an area that is on the MATLAB search path and that is accessible to and shared by other users.
- 2 Move the `rtwTargetInfo.m` registration file, to an area that is on the MATLAB search path and that is accessible to and shared by other users. If you are deploying a library to a folder in a development environment that already contains a `rtwTargetInfo.m` file, copy the registration code from your code replacement library version of `rtwTargetInfo.m` and paste it into the shared version of that file.
- 3 Register the library customizations or restart MATLAB.
- 4 Verify that the libraries are available for configuring the code generator and that code replacements occur as expected.
- 5 Inform users that the libraries are available and provide direction on when and how to apply them.

### Related Examples

- “Relocate Code to Another Development Environment”
- “Verify Code Replacements” on page 24-78
- “Develop a Code Replacement Library” on page 24-26

### More About

- “What Is Code Replacement?” on page 20-2
- “What Is Code Replacement Customization?” on page 24-3
- “Code Replacement Libraries” on page 20-23
- “Code Replacement Terminology” on page 20-25

## Math Function Code Replacement

This example shows how to define a code replacement mapping for a math function. The example defines a mapping for the `sin` function programmatically. Alternatively, you can use the Code Replacement Tool to define the same mapping.

- 1 Create a table definition file that contains a function definition. For example:

```
function hTable = crl_table_sinfcn2()
%CRL_TABLE_SINFCN2 - Define function entry for code replacement table.
```

- 2 Within the function body, create the table by calling the function `RTW.Tf1Table`.

```
hTable = RTW.Tf1Table;
```

- 3 Create an entry for the function mapping with a call to the `RTW.Tf1CFunctionEntry` function.

```
% Create entry for sin function replacement
fcn_entry = RTW.Tf1CFunctionEntry;
```

- 4 Set function entry parameters with a call to the `setTf1CFunctionEntryParameters` function.

```
setTf1CFunctionEntryParameters(fcn_entry, ...
    'Key', 'sin', ...
    'Priority', 30, ...
    'ImplementationName', 'mySin', ...
    'ImplementationHeaderFile', 'basicMath.h',...
    'ImplementationSourceFile', 'basicMath.c');
```

- 5 Create conceptual arguments `y1` and `u1`. There are multiple ways to set up the conceptual arguments. This example uses calls to the `createAndAddConceptualArg` function to create and add an argument with one function call.

```
createAndAddConceptualArg(fcn_entry, 'RTW.Tf1ArgNumeric', ...
    'Name', 'y1',...
    'IOType', 'RTW_IO_OUTPUT',...
    'DataTypeMode', 'double');
```

```
createAndAddConceptualArg(fcn_entry, 'RTW.Tf1ArgNumeric', ...
    'Name', 'u1', ...
    'IOType', 'RTW_IO_INPUT',...
    'DataTypeMode', 'double');
```

- 6 Copy the conceptual arguments to the implementation arguments. There are multiple ways to set up the implementation arguments. This example uses a call to the `copyConceptualArgsToImplementation` function to create and add implementation arguments to the entry by copying matching conceptual arguments.

```
copyConceptualArgsToImplementation(fcn_entry);
```

- 7 Add the entry to a code replacement table with a call to the `addEntry` function.

```
addEntry(hTable, fcn_entry);
```

- 8 Save the table definition file. Use the name of the table definition function to name the file.

### Related Examples

- “Define Code Replacement Mappings” on page 24-42
- “Data Alignment for Code Replacement” on page 24-136
- “Algorithm-Based Code Replacement” on page 24-112
- “Reserved Identifiers and Code Replacement” on page 24-159
- “Customize Match and Replacement Process” on page 24-161
- “Develop a Code Replacement Library” on page 24-26
- “Quick Start Library Development” on page 24-27
- “Optimize Generated Code By Developing and Using Code Replacement Libraries - Simulink®”

### More About

- “Code You Can Replace From Simulink Models” on page 20-4
- “Code Replacement Terminology” on page 20-25



## Memory Function Code Replacement

This example shows how to define a code replacement mapping for a memory function. The example defines a mapping for the `memcpy` function programmatically. Alternatively, you can use the Code Replacement Tool to define the same mapping.

- 1 Create a table definition file that contains a function definition. For example:

```
function hTable = crl_table_memcpy()
```

- 2 Within the function body, create the table by calling the function `RTW.Tf1Table`.

```
hTable = RTW.Tf1Table;
```

- 3 Create an entry for the function mapping with a call to the `RTW.Tf1CFunctionEntry` function.

```
% Create entry for void* memcpy(void*, void*, size_t)
fcn_entry = RTW.Tf1CFunctionEntry;
```

- 4 Set function entry parameters with a call to the `setTf1CFunctionEntryParameters` function.

```
% Set SideEffects to 'true' for function returning void to prevent it from
% being optimized away.
setTf1CFunctionEntryParameters(fcn_entry, ...
    'Key', 'memcpy', ...
    'Priority', 90, ...
    'ImplementationName', 'memcpy_int', ...
    'ImplementationHeaderFile', 'memcpy_int.h', ...
    'SideEffects', true);
```

- 5 Create conceptual arguments `y1`, `u1`, `u2`, and `u3`. There are multiple ways to set up the conceptual arguments. This example uses calls to the `getTf1ArgFromString` and `addConceptualArg` functions to create and add the arguments.

```
arg = getTf1ArgFromString(hTable, 'y1', 'void*');
arg.IOType = 'RTW_IO_OUTPUT';
addConceptualArg(fcn_entry, arg);
```

```
arg = getTf1ArgFromString(hTable, 'u1', 'void*');
addConceptualArg(fcn_entry, arg);
```

```
arg = getTf1ArgFromString(hTable, 'u2', 'void*');
addConceptualArg(fcn_entry, arg);
```

```
arg = getTf1ArgFromString(hTable, 'u3', 'size_t');
addConceptualArg(fcn_entry, arg);
```

- 6 Copy the conceptual arguments to the implementation arguments. There are multiple ways to set up the implementation arguments. This example uses a call

to the `copyConceptualArgsToImplementation` function to create and add implementation arguments to the entry by copying matching conceptual arguments.

```
copyConceptualArgsToImplementation(fcn_entry);
```

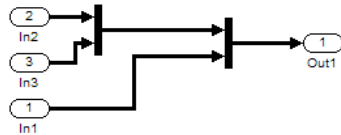
- 7 Add the entry to a code replacement table with a call to the `addEntry` function.

```
addEntry(hTable, fcn_entry);
```

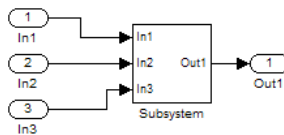
- 8 Save the table definition file. Use the name of the table definition function to name the file.

To test this example:

- 1 Register the code replacement mapping.
- 2 Create a model that uses the `memcpy` function for vector assignments. For example, use `In`, `Out`, and `Mux` blocks to create the following model. (Alternatively, open the example model `rtwdemo_crlmath` and copy the contents of `Subsystem1` to a new model.)



- 3 Select the diagram and use **Edit > Subsystem** to make it a subsystem.



- 4 Configure the subsystem with the following settings:
  - On the **Solver** pane, select a fixed-step solver.
  - On the **Optimization > Signals and Parameters** pane, select **Use memcpy for vector assignment** and set **Memcpy threshold (bytes)** to 64.
  - On the **Code Generation** pane, select an ERT-based system target file.
  - On the **Code Generation > Interface** pane, select the code replacement library that contains your memory function entry.

- 5 In the Model Explorer, configure the **Signal Attributes** for the In1, In2, and In3 source blocks. For each, set **Port dimensions** to [ 1 , 100 ], and set **Data type** to int32. Apply the changes. Save the model.
- 6 Generate code and a code generation report.
- 7 Review the code replacements.

## Related Examples

- “Define Code Replacement Mappings” on page 24-42
- “Register Code Replacement Mappings” on page 24-68
- “Verify Code Replacements” on page 24-78
- “Data Alignment for Code Replacement” on page 24-136
- “Reserved Identifiers and Code Replacement” on page 24-159
- “Customize Match and Replacement Process” on page 24-161
- “Develop a Code Replacement Library” on page 24-26
- “Quick Start Library Development” on page 24-27
- “Optimize Generated Code By Developing and Using Code Replacement Libraries - Simulink®”

## More About

- “Code You Can Replace From Simulink Models” on page 20-4
- “Code Replacement Terminology” on page 20-25

## Nonfinite Function Code Replacement

This example shows how to define a code replacement mapping for nonfinite utility functions.

- 1 Create a table definition file that contains a function definition. For example:

```
function hTable = crl_table_nonfinite()
```

- 2 Within the function body, create the table by calling the function `RTW.Tf1Table`.

```
hTable = RTW.Tf1Table;
```

- 3 Create entries for the function mappings. To minimize the size of this function, the example uses a local function, `locAddFcnEnt`, to group lines of code repeated for each entry. A call to the `RTW.Tf1CFunctionEntry` function creates an entry for the collection of local function entry definitions.

```

%% Create entries for nonfinite utility functions
% locAddFcnEnt(hTable, key, implName, out, in1, hdr)

locAddFcnEnt(hTable, 'getNaN', 'getNaN', 'double', 'void', 'nonfin.h');
locAddFcnEnt(hTable, 'getNaN', 'getNaNF', 'single', 'void', 'nonfin.h');
locAddFcnEnt(hTable, 'getInf', 'getInf', 'double', 'void', 'nonfin.h');
locAddFcnEnt(hTable, 'getInf', 'getInfF', 'single', 'void', 'nonfin.h');
locAddFcnEnt(hTable, 'getMinusInf', 'getMinusInf', 'double', 'void', 'nonfin.h');
locAddFcnEnt(hTable, 'getMinusInf', 'getMinusInfF', 'single', 'void', 'nonfin.h');
```

```
%% Local Function
```

```
function locAddFcnEnt(hTable, key, implName, out, in1, hdr)
    if isempty(hTable)
        return;
    end
```

```
    fcn_entry = RTW.Tf1CFunctionEntry;
```

- 4 Set function entry parameters with a call to the `setTf1CFunctionEntryParameters` function.

```

setTf1CFunctionEntryParameters(fcn_entry, ...
    'Key', key, ...
    'Priority', 90, ...
    'ImplementationName', implName, ...
    'ImplementationHeaderFile', hdr);
```

- 5 Create conceptual arguments `y1` and `u1`. There are multiple ways to set up the conceptual arguments. This example uses calls to the `getTf1ArgFromString` and `addConceptualArg` functions to create and add the arguments.

```

arg = getTf1ArgFromString(hTable, 'y1', out);
arg.IOType = 'RTW_IO_OUTPUT';
addConceptualArg(fcn_entry, arg);
```

```
arg = getTf1ArgFromString(hTable, 'u1', in1);
addConceptualArg(fcn_entry, arg);
```

- 6 Copy the conceptual arguments to the implementation arguments. There are multiple ways to set up the implementation arguments. This example uses a call to the `copyConceptualArgsToImplementation` function to create and add implementation arguments to the entry by copying matching conceptual arguments.

```
copyConceptualArgsToImplementation(fcn_entry);
```

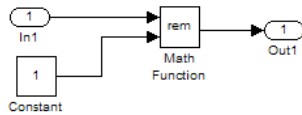
- 7 Add the entry to a code replacement table with a call to the `addEntry` function.

```
addEntry(hTable, fcn_entry);
```

- 8 Save the table definition file. Use the name of the table definition function to name the file.

To test this example:

- 1 Register the code replacement mapping.
- 2 Create a model that uses a nonfinite function. For example, create a model that includes a **Math Function** block that is set to the `rem` function. For example:



- 3 Configure the model with the following settings:
  - On the **Solver** pane, select a fixed-step solver.
  - On the **Code Generation** pane, select an ERT-based system target file.
  - On the **Code Generation > Interface** pane, select the code replacement library that contains your memory function entry and select **Support: non-finite numbers**.
- 4 In the Model Explorer, configure the **Signal Attributes** for the **In1** and **Constant** source blocks. For each source block, set **Data type** to `double`. Apply the changes. Save the model.
- 5 Generate code and a code generation report.
- 6 Review the code replacements.

## Related Examples

- “Define Code Replacement Mappings” on page 24-42

- “Register Code Replacement Mappings” on page 24-68
- “Verify Code Replacements” on page 24-78
- “Data Alignment for Code Replacement” on page 24-136
- “Reserved Identifiers and Code Replacement” on page 24-159
- “Customize Match and Replacement Process” on page 24-161
- “Develop a Code Replacement Library” on page 24-26
- “Quick Start Library Development” on page 24-27
- “Optimize Generated Code By Developing and Using Code Replacement Libraries - Simulink®”

### **More About**

- “Code You Can Replace From Simulink Models” on page 20-4
- “Code Replacement Terminology” on page 20-25

## Semaphore and Mutex Function Replacement

You can create a code replacement table for a custom target that supports concurrent execution. Create table entries that specify custom implementations of semaphore or mutex operations. The table must have four semaphore entries, four mutex entries, or both, and include the table in a custom code replacement library. (The semaphore or mutex entries are mutually dependent. Provide them in complete sets of four.)

---

**Note:** A custom target that supports concurrent multitasking must set the target configuration parameter `ConcurrentExecutionCompliant`. For more information, see “Support Concurrent Execution of Multiple Tasks” in the Simulink Coder documentation.

---

If the build process generates semaphore or mutex function calls for data transfer between tasks during code generation for a multicore target environment, use a custom library. The library can specify code replacements for custom semaphore or mutex implementations that are optimal for your target environment. Using the Code Replacement Tool (`crtool`) or equivalent code replacement functions, you can:

- Configure code replacement table entries for custom semaphore or mutex functions. During system startup, execution of the code for data transfer between tasks, and system shutdown the generated code calls these functions.
- Configure DWork arguments that represent global data, which the semaphore or mutex functions access. A DWork pointer is passed to the model entry functions.

Generated mutex and semaphore code typically consists of these elements:

Code	Generated Code
Model initialization	Initialization function call that creates a mutex or semaphore function to control entry to a critical section of code.
Model step	<ul style="list-style-type: none"> <li>• Before code for a data transfer between tasks enters the critical section, mutex lock or semaphore wait function calls reserve the critical section of code.</li> <li>• After code for a data transfer between tasks finishes executing the critical section, mutex unlock or semaphore post function calls release the critical section of code.</li> </ul>

Code	Generated Code
Model termination	Optional destroy function call to delete the mutex or semaphore explicitly.

This example shows how to create code replacement table entries for a mutex replacement scenario. You configure a multicore target model for concurrent execution and for data transfer between tasks of differing rates, which Rate Transition blocks handle. In the generated code for the model, each Rate Transition block has a separate, unique mutex. Mutex lock and unlock operations within the Rate Transition block generated code share access to the same global data. They achieve this by using the unique mutex created for that Rate Transition block.

- 1 Open the Code Replacement Tool.
- 2 Create and open a new table.
- 3 Name the table `cr1_table_rt_mutex`.
- 4 Create an entry for a mutex initialization function replacement.
  - a Select **File** > **New entry** > **Semaphore entry** to open a new table entry for configuring a semaphore or mutex replacement.
  - b In the **Mapping Information** tab, use the **Function** parameter to select `Mutex Init`. Initial default values for the table entry appear. In the **Conceptual function** section, typically you can leave the argument settings at their defaults.
  - c In the **DWork attributes** section, the **Allocate DWork** option is selected. The dialog box provides a unique entry tag for the DWork argument `d1`.

DWork attributes

Allocate DWork

DWork argument

Entry tag (unique):

DWork arguments

Argument properties

Data type:   Pointer



On the **DWork attributes** pane, configure a DWork argument to the replacement function. The DWork argument supports sharing of a semaphore or mutex between:

- Code that creates the semaphore or mutex
- Code that requests and relinquishes access
- Code that deletes the semaphore or mutex

In this example, the DWork argument for the `Mutex Init` function defines a unique entry tag, `entry_25576`. That function also defines DWork arguments for `Mutex Lock`, `Mutex Unlock`, and `Mutex Destroy`, which reference the entry tag to share the DWork data.

The only data type supported for the DWork **Data type** parameter is `void*`.

- d** In the **Replacement function** section, enter a function name in the **Name** field. This example uses `myMutexCreate`. In the list of **Function arguments**, leave the DWork argument `d1` data type as `void**`.

Replacement function

Function prototype

Name:  C++ namespace:

Function returns void

Function arguments

y1(return arg)	↑
d1	↓

Argument properties

Data type:  I/O type:

Const   
 Pointer   
 Pointer-Pointer

Function signature preview

```
void myMutexCreate (void** d1);
```

The C function signature preview is:

```
void myMutexCreate (void** d1);
```

- e In the **Replacement function** section, select **Function modifies internal or global state**. This option instructs the code generator not to optimize away the implementation function described by this entry because it accesses global memory values. Click **Apply**. Optionally, you can click **Validate entry** to validate the information entered in the **Mapping Information** tab.

To create a sample table entry, configure the replacement function signature without the replacement function and its build information. If header and source files for these functions are available, select the **Build Information** table to specify them.

- f The `Mutex Init` table entry is complete. Optionally, you can save the table to a file, and inspect the MATLAB code created for the table definition so far.
- 5 Repeat the following sequence to create the table entries for the mutex lock, unlock, and destroy function replacements. Each table entry references the DWork unique tag entry, `entry_25576`, defined in the `Mutex Init` table entry.
- a Select **File > New entry > Semaphore entry**.
  - b In the **Mapping Information** tab, use the **Function** parameter to select `Mutex Lock`, `Mutex Unlock`, or `Mutex Destroy`. Initial default values for the table entry appear. In the **Conceptual function** section, typically you can leave the argument settings at their defaults.
  - c For a Rate Transition block mutex, the wait, post, and destroy functions operate on the DWork allocated at system startup by the mutex initialization function. In the **DWork attributes** section, verify that the **Allocate DWork** option is cleared. From the **DWork Allocator entry** drop-down list, select the entry tag matching the value in the `Mutex Init` table entry. In this example, the entry tag is `entry_25576`.

DWork attributes

Allocate DWork

DWork Allocator entry: entry\_25576

- d In the **Replacement function** section, **Name** field, enter a function name. This example uses `myMutexLock`, `myMutexUnlock`, and `myMutexDelete`. In the list of **Function arguments**, leave the DWork argument `d1` data type as `void*`.

Replacement function

Function prototype

Name:  C++ namespace:

Function returns void

Function arguments

Argument	Properties
y1(return arg)	
d1	

Argument properties

Data type:  I/O type:

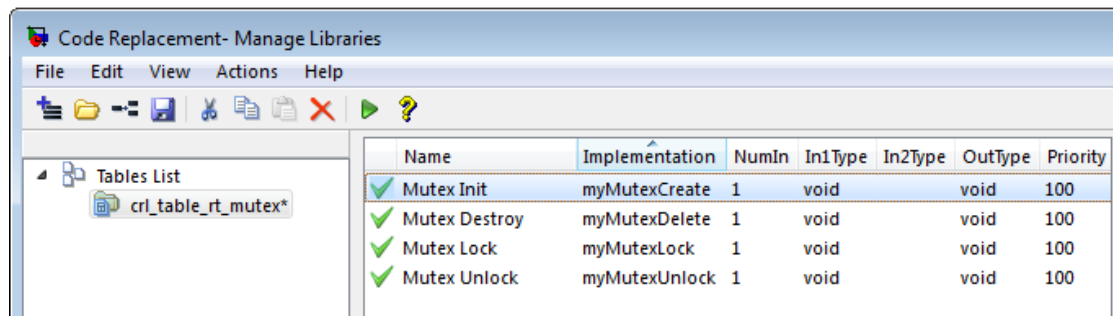
Const  Pointer  Pointer-Pointer

Alignment value:

Function signature preview

```
void myMutexLock ( void* d1);
```

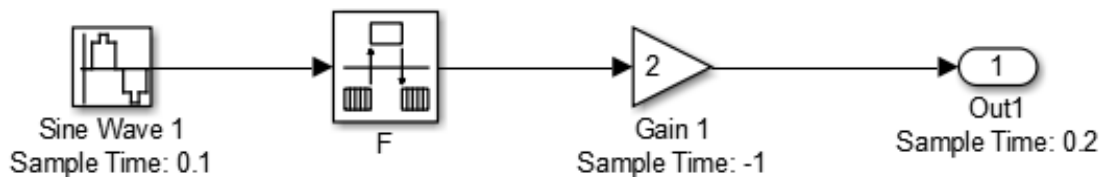
- e In the **Implementation attributes** section, select the option **Function modifies internal or global state**. This option instructs the code generator not to optimize away the implementation function described by this entry because it accesses global memory values.
  - f Optionally, supply build information for the replacement function on the **Build Information** tab.
  - g Click **Apply**. In the middle pane, right-click the table entry and select **Validate entry(s)**.
- 6 When you have added the table entries for **Mutex Lock**, **Mutex Unlock**, and **Mutex Destroy** to the entry for **Mutex Init**, the rate transition mutex replacement table is complete. In the left-most pane, right-click the table name and select **Validate table**. Address errors and repeat the table validation.



- 7 Save the table to a MATLAB file in your working folder, for example, using **File > Save table**. The name of the saved file is the table name, `crl_table_rt_mutex`, with an `.m` extension. Optionally, you can open the saved file and examine the MATLAB code for the code replacement table definition.

To test this example:

- 1 Register the code replacement mapping.
- 2 Create a model that contains a rate transition for which the build process generates mutex function calls. For example:



- 3 Configure the model for a multicore target environment and the following settings:
  - On the **Solver** pane, select a fixed-step solver.
  - On the **Code Generation** pane, select an ERT-based system target file.
  - On the **Code Generation > Interface** pane, select the code replacement library that contains your mutex entry.

## Related Examples

- “Define Code Replacement Mappings” on page 24-42
- “Register Code Replacement Mappings” on page 24-68

- “Verify Code Replacements” on page 24-78
- “Data Alignment for Code Replacement” on page 24-136
- “Reserved Identifiers and Code Replacement” on page 24-159
- “Customize Match and Replacement Process” on page 24-161
- “Develop a Code Replacement Library” on page 24-26
- “Quick Start Library Development” on page 24-27
- “Optimize Generated Code By Developing and Using Code Replacement Libraries - Simulink®”

## **More About**

- “Code You Can Replace From Simulink Models” on page 20-4
- “Code Replacement Terminology” on page 20-25

## Algorithm-Based Code Replacement

For some math function blocks, you can control code replacement based on the computation or approximation algorithm configured for that block. For example, you can configure:

- The **Reciprocal Sqrt** block to use the **Newton-Raphson** or **Exact** computation method.
- The **Trigonometric Function** block, with **Function** set to **sin**, **cos**, or **sincos**, to use the approximation method **CORDIC** or **None**.

You can define code replacement entries to replace these functions for one or all of the available computation methods. For example, you can define an entry to replace only **Newton-Raphson** instances of the **rSqrt** function.

To set the algorithm for a function in an entry definition, use the `EntryInfoAlgorithm` property in a call to the function `setTf1CFunctionEntryParameters`. The following table lists arguments for specifying the computation method to match during code generation.

Function	Argument
rSqrt	<ul style="list-style-type: none"> <li>• 'RTW_DEFAULT' (match the default computation method, Exact)</li> <li>• 'RTW_NEWTON_RAPHSON'</li> <li>• 'RTW_UNSPECIFIED' (match any computation method)</li> </ul>
sin cos sincos	<ul style="list-style-type: none"> <li>• 'RTW_CORDIC'</li> <li>• 'RTW_DEFAULT' (match the default approximation method, None)</li> <li>• 'RTW_UNSPECIFIED' (match any approximation method)</li> </ul>

For example, to replace only **Newton-Raphson** instances of the **rSqrt** function, create an entry as follows:

- 1 Create a table definition file that contains a function definition. For example:
 

```
function hTable = crl_rsqr()
    %CRL_TABLE_RSQRT - Define function entry for code replacement table.
```
- 2 Within the function body, create the table by calling the function `RTW.Tf1Table`.

```
hTable = RTW.Tf1Table;
```

- 3 Create an entry for the function mapping with a call to the `RTW.Tf1CFunctionEntry` function.

```
% Create entry for rsqrt function replacement
fcn_entry = RTW.Tf1CFunctionEntry;
```

- 4 Set function entry parameters with a call to the `setTf1CFunctionEntryParameters` function.

```
setTf1CFunctionEntryParameters(fcn_entry, ...
    'Key', 'rSqrt', ...
    'Priority', 80, ...
    'ImplementationName', 'rsqrt_newton', ...
    'ImplementationHeaderFile', 'rsqrt.h', ...
    'EntryInfoAlgorithm', 'RTW_NEWTON_RAPHSON');
```

- 5 Create conceptual arguments `y1` and `u1`. This example uses calls to the `createAndAddConceptualArg` function to create and add an argument with one function call.

```
createAndAddConceptualArg(fcn_entry, 'RTW.Tf1ArgNumeric', ...
    'Name', 'y1', ...
    'IOType', 'RTW_IO_OUTPUT', ...
    'DataTypeMode', 'double');
```

```
createAndAddConceptualArg(e, 'RTW.Tf1ArgNumeric', ...
    'Name', 'u1', ...
    'DataTypeMode', 'double');
```

- 6 Copy the conceptual arguments to the implementation arguments. This example uses a call to the `copyConceptualArgsToImplementation` function to create and add implementation arguments to the entry by copying matching conceptual arguments.

```
copyConceptualArgsToImplementation(fcn_entry);
```

- 7 Add the entry to a code replacement table with a call to the `addEntry` function.

```
addEntry(hTable, fcn_entry);
```

- 8 Save the table definition file. Use the name of the table definition function to name the file.

The generated code for a Newton-Raphson instance of the `rSqrt` function looks like the following code:

```
/* Model step function */
```

```
void mrsqrt_step(void)
{
    /* Outport: '<Root>/Out1' incorporates:
     * Inport: '<Root>/In1'
     * Sqrt:   '<Root>/rSqrtBlk'
     */
    mrsqrt_Y.Out1 = rsqrt_newton(mrsqrt_U.In1);
}
```

### Related Examples

- “Math Function Code Replacement” on page 24-97
- “Define Code Replacement Mappings” on page 24-42
- “Develop a Code Replacement Library” on page 24-26
- “Quick Start Library Development” on page 24-27
- “Optimize Generated Code By Developing and Using Code Replacement Libraries - Simulink®”

### More About

- “Code You Can Replace From Simulink Models” on page 20-4
- “Code Replacement Terminology” on page 20-25



## Lookup Table Function Code Replacement

You can configure the algorithm for table lookup operations and index searches to better meet your application code requirements. Use the **Algorithm** tab of lookup table blocks. For example, you can specify the interpolation, extrapolation, and index search methods.

### In this section...

“Lookup Table Algorithm Replacement” on page 24-115

“Lookup Table Function Signatures” on page 24-115

“Interactive Mapping with Code Replacement Tool” on page 24-121

“Programmatic Specification” on page 24-126

“Sample Code Replacement Definition for the lookup2D Function” on page 24-133

### Lookup Table Algorithm Replacement

If the code generated for available algorithm options does not meet requirements for your application, create custom code replacement table entries to replace generated algorithm code. You can create the table entries programmatically or interactively by using the Code Replacement Tool.

For more information about using lookup table blocks, see “Nonlinearity” in the Simulink documentation.

### Lookup Table Function Signatures

To create code replacement table entries for a function corresponding to a lookup table algorithm, you must have:

- Information about the conceptual function signature.
- Relevant algorithm parameters.

The following table provides the conceptual function signature information.

Conceptual Function Signature	Argument Summary
<code>y1 = interp1D(u1, u2, u3, u4)</code>	y1 – output u1 – index u2 – fraction u3 – table data

Conceptual Function Signature	Argument Summary
	u4 – table dimension length
y1 = interp2D(u1, u2, u3, u4, u5, u6, u7)	y1 – output u1, u3 – index u2, u4 – fraction u5 – table data u6, u7 – table dimension lengths
y1 = interp3D(u1, u2, u3, u4, u5, u6, u7, u8, u9, u10)	y1 – output u1, u3, u5 – index u2, u4, u6 – fraction u7 – table data u8, u9, u10 – table dimension lengths
y1 = interp4D(u1, u2, u3, u4, u5, u6, u7, u8, u9, u10, u11, u12, u13)	y1 – output u1, u3, u5, u7 – index u2, u4, u6, u8 – fraction u9 – table data u10, u11, u12, u13 – table dimension lengths
y1 = interp5D(u1, u2, u3, u4, u5, u6, u7, u8, u9, u10, u11, u12, u13, u14, u15, u16)	y1 – output u1, u3, u5, u7, u9 – index u2, u4, u6, u8, u10 – fraction u11 – table data u12, u13, u14, u15, u16 – table dimension lengths
y1 = interpND({ui, uf,... ut, un...})	y1 – output ui, uf is an index and fraction pair per dimension ut – table data un – table dimension lengths
Explicit values y1 = lookup1D(u1, u2, u3, u4)	y1 – output u1 – input u2 – breakpoint data u3 – table data u4 – table dimension length

Conceptual Function Signature	Argument Summary
Even spacing $y1 = \text{lookup1D}(u1, u2, u3, u4, u5)$	$y1$ – output $u1$ – input $u2$ – first point of breakpoint data $u3$ – spacing of breakpoints $u4$ – table data $u5$ – table dimension length
Explicit values $y1 = \text{lookup2D}(u1, u2, u3, u4, u5, u6, u7)$	$y1$ – output $u1, u2$ – input $u3, u4$ – breakpoint data $u5$ – table data $u6, u7$ – table dimension lengths
Even spacing $y1 = \text{lookup2D}(u1, u2, u3, u4, u5, u6, u7, u8, u9)$	$y1$ – output $u1, u2$ – input $u3, u5$ – first point of breakpoint data $u4, u6$ – spacing of breakpoints $u7$ – table data $u8, u9$ – table dimension lengths
Explicit spacing $y1 = \text{lookup3D}(u1, u2, u3, u4, u5, u6, u7, u8, u9, u10)$	$y1$ – output $u1, u2, u3$ – input $u4, u5, u6$ – breakpoint data $u7$ – table data $u8, u9, u10$ – table dimension lengths
Even spacing $y1 = \text{lookup3D}(u1, u2, u3, u4, u5, u6, u7, u8, u9, u10, u11, u12, u13)$	$y1$ – output $u1, u2, u3$ – input $u4, u6, u8$ – first point of breakpoint data $u5, u7, u9$ – spacing of breakpoints $u10$ – table data $u11, u12, u13$ – table dimension lengths

Conceptual Function Signature	Argument Summary
<p>Explicit values  <math>y1 = \text{lookup4D}(u1, u2, u3, u4, u5, u6, u7, u8, u9, u10, u11, u12, u13)</math></p>	<p><math>y1</math> – output  <math>u1, u2, u3, u4</math> – input  <math>u5, u6, u7, u8</math> – breakpoint data  <math>u9</math> – table data  <math>u10, u11, u12, u13</math> – table dimension lengths</p>
<p>Even spacing  <math>y1 = \text{lookup4D}(u1, u2, u3, u4, u5, u6, u7, u8, u9, u10, u11, u12, u13, u14, u15, u16, u17)</math></p>	<p><math>y1</math> – output  <math>u1, u2, u3, u4</math> – input  <math>u5, u7, u9, u11</math> – first point of breakpoint data  <math>u6, u8, u10, u12</math> – spacing of breakpoints  <math>u13</math> – table data  <math>u14, u15, u16, u17</math> – table dimension lengths</p>
<p>Explicit values  <math>y1 = \text{lookup5D}(u1, u2, u3, u4, u5, u6, u7, u8, u9, u10, u11, u12, u13, u14, u15, u16)</math></p>	<p><math>y1</math> – output  <math>u1, u2, u3, u4, u5</math> – input  <math>u6, u7, u8, u9, u10</math> – breakpoint data  <math>u11</math> – table data  <math>u12, u13, u14, u15, u16</math> – table dimension lengths</p>
<p>Even spacing  <math>y1 = \text{lookup5D}(u1, u2, u3, u4, u5, u6, u7, u8, u9, u10, u11, u12, u13, u14, u15, u16, u17, u18, u19, u20, u21)</math></p>	<p><math>y1</math> – output  <math>u1, u2, u3, u4, u5</math> – input  <math>u6, u8, u10, u12, u14</math> – first point of breakpoint data  <math>u7, u9, u11, u13, u15</math> – spacing of breakpoints  <math>u16</math> – table data  <math>u17, u18, u19, u20, u21</math> – table dimension lengths</p>
<p>Explicit values  <math>y1 = \text{lookupND}(un, \dots, ub, \dots, ut, un\dots)</math></p>	<p><math>y1</math> – output  <math>un</math>, input per dimension  <math>ub</math>, breakpoint per dimension  <math>ut</math> – table data  <math>un</math> – table dimension lengths</p>

Conceptual Function Signature	Argument Summary
Even spacing $y1 = \text{lookupND}(un, \dots, \{ufn, usn, \dots\} \dots ut, un \dots)$	$y1$ – output $un$ – input per dimension $ufn$ – first point of breakpoint data per dimension $usn$ – spacing of breakpoint per dimension $ut$ – table data $un$ – table dimension lengths
$y1 = \text{lookupND\_Direct}(u1, u2, \dots, ui, ui+1)$	$y1$ – output $u1 \dots ui$ – input $ui+1$ – table data
Explicit values $y1, y2 = \text{prelookup}(u1, u2, u3)$	$y1$ – index $y2$ – fraction $u1$ – input $u2$ – breakpoint data $u3$ – number of breakpoints
Evenly spaced $y1, y2 = \text{prelookup}(u1, u2, u3, u4)$	$y1$ – index $y2$ – fraction $u1$ – input $u2$ – first point of breakpoint data $u3$ – spacing of breakpoints $u4$ – number of breakpoints

When defining a table entry programmatically, you might also need to change the values of required (primary) and optional algorithm parameters.

- Set values for required parameters to achieve code replacement.
- If you do not set a value for an optional parameter, the algorithm parameter software applies **don't care**. The code replacement software ignores the parameter while searching for matches.

To look up algorithm parameter information for a lookup table function:

- 1 Create a table entry for a function.

```
tableEntry = RTW.Tf1CFunctionEntry;
```

- 2 Identify the lookup table function in the table entry. Use the **Key** table entry parameter in a call to `setTf1CFunctionEntryParameters`. The following example identifies an entry for the `prelookup` function.

```
setTf1CFunctionEntryParameters(tableEntry, ...
    'Key', 'prelookup', ...
    'Priority', 100, ...
    'ImplementationName', 'myPrelookup');
```

- 3 Get the algorithm parameter set for the entry with a call to `getAlgorithmParameters`.

```
algParams = getAlgorithmParameters(tableEntry);
algParams =
    Prelookup with properties:
        ExtrapMethod: [1x1 coder.algorithm.parameter.ExtrapMethod]
        RndMeth: [1x1 coder.algorithm.parameter.RndMeth]
        IndexSearchMethod: [1x1 coder.algorithm.parameter.IndexSearchMethod]
        UseLastBreakpoint: [1x1 coder.algorithm.parameter.UseLastBreakpoint]
        RemoveProtectionInput: [1x1 coder.algorithm.parameter.RemoveProtectionInput]
```

- 4 Examine information available for each parameter.

```
algParams.ExtrapMethod
ans =
    ExtrapMethod with properties:
        Name: 'ExtrapMethod'
        Options: {'Linear' 'Clip'}
        Primary: 1
        Value: {'Linear'}

algParams.RndMeth
ans =
    RndMeth with properties:
        Name: 'RndMeth'
        Options: {1x7 cell}
        Primary: 0
        Value: {1x7 cell}

algParams.RndMeth.Value
ans =
    Columns 1 through 6
        'Ceiling'    'Convergent'    'Floor'    'Nearest'    'Round'    'Simplest'
    Column 7
        'Zero'
```

```
algParams.IndexSearchMethod
```

```

ans =

    IndexSearchMethod with properties:

        Name: 'IndexSearchMethod'
        Options: {'Linear search' 'Binary search' 'Evenly spaced points'}
        Primary: 0
        Value: {'Binary search' 'Evenly spaced points' 'Linear search'}

algParams.UseLastBreakpoint

ans =

    UseLastBreakpoint with properties:

        Name: 'UseLastBreakpoint'
        Options: {'off' 'on'}
        Primary: 0
        Value: {'off' 'on'}

algParams.RemoveProtectionInput

ans =

    RemoveProtectionInput with properties:

        Name: 'RemoveProtectionInput'
        Options: {'off' 'on'}
        Primary: 0
        Value: {'off' 'on'}

```

## Interactive Mapping with Code Replacement Tool

This example shows how to specify a code replacement table entry for a lookup table algorithm by using the Code Replacement Tool.

### Open and Examine Example Replacement Function

Identify or create the C or C++ replacement function for the algorithm that you want to use in place of a Simulink software algorithm.

This example uses the following C replacement function header and source files. These files are in the folder `matlab/help/toolbox/ecoder/examples/code_replacement`:

- `myLookup1D.h`
- `myLookup1D.c`

Place a copy of these files in your working folder.

Open and examine the code for `myLookup1D.h`.

```
real_T my_Lookup1D_Repl(real_T u0, const real_T *bp0, const real_T *table, uint32_T td1);
```

Open and examine the code in `myLookup1D.c`. Note the function signature. When you enter the implementation argument specification in the Code Replacement Tool, specify argument properties.

```
#include "myLookup1D.h"
real_T my_Lookup1D_Repl(real_T u0, const real_T *bp0, const real_T *table, uint32_T td1)
{
    real_T y;
    uint16_T frac;
    uint32_T bpIdx;
    uint32_T maxIndex=td1-1;

    if (u0 <= bp0[0U]) {
        bpIdx = 0U;
        frac = 0U;
    } else if (u0 < bp0[maxIndex]) {
        bpIdx = maxIndex >> 1U;
        while ((u0 < bp0[bpIdx]) && (bpIdx > 0U)) {
            bpIdx--;
        }

        while ((bpIdx < maxIndex - 1U) && (u0 >= bp0[bpIdx + 1U])) {
            bpIdx++;
        }

        frac = (uint16_T)((u0 - bp0[bpIdx]) / (bp0[bpIdx + 1U] -
            bp0[bpIdx]) * 32768.0);
    } else {
        bpIdx = maxIndex;
        frac = 0U;
    }

    if (bpIdx == maxIndex) {
        y = table[bpIdx];
    } else {
        y = (table[bpIdx + 1U] - table[bpIdx]) * ((real_T)frac * 3.0517578125E-5) +
            table[bpIdx];
    }

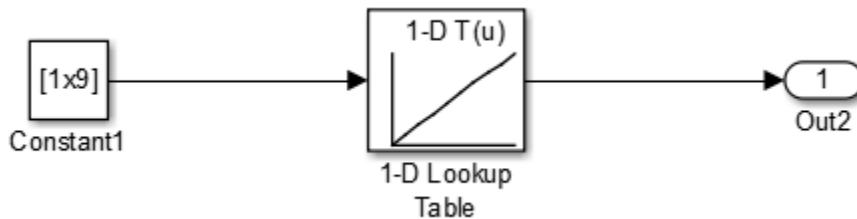
    return y;
}
```

### Open and Examine the Example Model

This example uses the model `matlab/help/toolbox/ecoder/examples/code_replacement/lookup1d.slx` to test your code replacement specification. Place a copy of the model in your working folder and name it `my_lookup1d.slx`.

Open and examine the model. Note input and output specifications and block parameter settings. To achieve a match, you must specify conceptual arguments based on how the 1-D Lookup Table block is configured in the example model.





### Create Code Replacement Table

- 1 At the command prompt, enter `crtool` to open the Code Replacement Tool.
- 2 Add a new table, select that table, and add a new function entry.
- 3 On the **Mapping Information** tab, select **Custom** for the **Function** parameter.
- 4 Look up the call signature and algorithm parameter information for the lookup table function that you want to update with an algorithm replacement. See “Lookup Table Function Signatures” on page 24-115.

For this example, you replace the algorithm for the conceptual function associated with the 1-D Lookup Table block. The signature for that function is:

```
y1 = lookup1D(u1, u2, u3, u4)
```

Arguments `u1`, `u2`, `u3`, `u4` represent input, breakpoint data, table data, and table dimension length, respectively. The function returns output to `y1`.

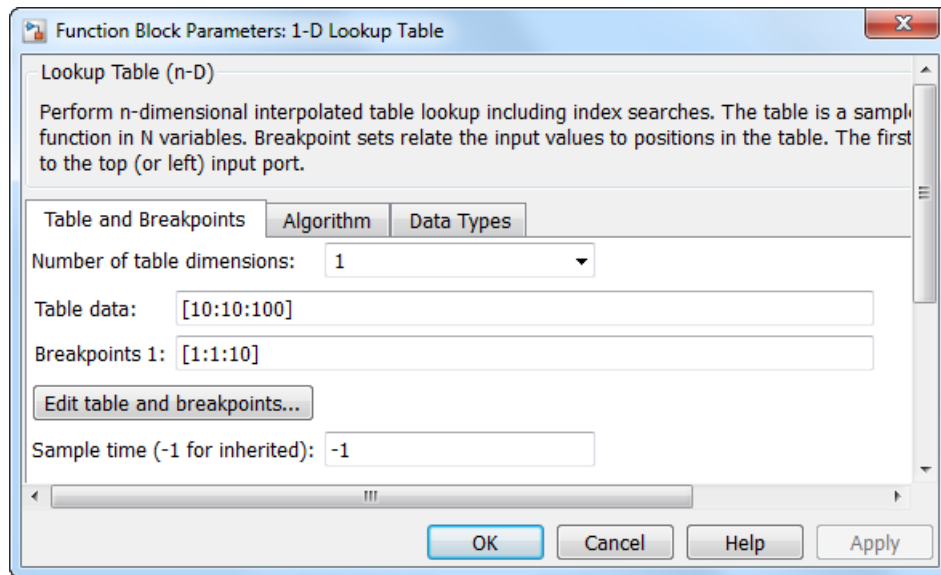
- 5 To the right of the **Function** drop-down list, in the function-name text box, enter the name of the Simulink lookup table function. For this example, type the name `lookup1D`. Type the name exactly as it appears in the documented signature, including character casing. Press **Enter**.

The tool displays algorithm parameter settings that trigger a match for the 1 - D **Lookup Table** block in the example model. Required parameters appear with only one value. For this example, do not change the values. Optional parameters appear with multiple values. Changes to optional parameters do not affect the match process.

- 6 Specify the conceptual arguments. Under the **Conceptual arguments** list box, click **+** to add the arguments that are in the documented function signature. The `lookup1D` function takes one output argument and four input arguments. Click **+** five times.

The tool creates an output argument  $y1$  and four input arguments  $u1$ ,  $u2$ ,  $u3$ , and  $u4$ . By default, the four arguments are scalars of type `double`.

You can adjust the conceptual argument properties. For this example, you do not make changes for  $y1$  and  $u1$ . However, as the block parameter dialog box for the example model shows, you must adjust the argument properties for the breakpoint and table data arguments.



Adjust the conceptual argument properties by using the following table. Click **Apply**.

Signature Argument Name	Conceptual Argument Name	Data type	I/O type	Argument type	Lower range	Upper range
y	y1	double	OUTPUT	Scalar	Not applicable	Not applicable
u1	u1	double	INPUT	Scalar	Not applicable	Not applicable
bp1	u2	double	INPUT	Matrix	[0 0]	[Inf Inf]

Signature Argument Name	Conceptual Argument Name	Data type	I/O type	Argument type	Lower range	Upper range
table	u3	double	INPUT	Matrix	[0 0]	[Inf Inf]
td1	u4	uint32	INPUT	Scalar	Not applicable	Not applicable

- 7 Enter information for the replacement function prototype. The prototype for the example function is:

```
real_T my_Lookup1D_Repl(real_T u0, const real_T *bp0, const real_T *table, uint32_T td1)
```

In the **Replacement function > Function prototype** section, type the function name `my_Lookup1D_Repl` in the **Name** text box.

- 8 Specify the arguments for the replacement function. Under the **Function arguments** list box, click **+** five times to add five implementation arguments.

You might need to adjust the function argument properties. As the replacement function signature shows, adjust the argument properties for the breakpoint, table data, and table dimension length arguments. For `u2` (breakpoints) and `u3` (table), select the **Const** check box. For `u4`, set **Data type** to `uint32`.

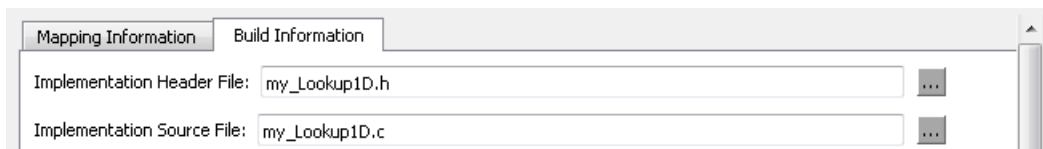
The function signature preview should appear as follows:

```
double my_Lookup1D_Repl(double u1, const double *u2, const double *u3, uint32 u4)
```

- 9 Set relevant implementation attributes. Use the default settings.
- 10 Validate the entry. If the tool reports errors, fix them, and retry the validation. Repeat the procedure until the tool does not report errors.
- 11 Save the code replacement table in your working folder as `my_lookup_replacement_table.m`.

### Specify Build Information

On the **Build Information** tab, specify information relevant to generating C or C++ code and building an executable from the model. Enter `myLookup1D.h` for **Implementation Header File** and `myLookup1D.c` for **Implementation Source File**.



If you copied the example files to a folder other than the working folder containing the test model, `lookup1d.slx`, specify the source and header file paths. Otherwise, leave the other **Build Information** parameters set to default values. Click **Apply**.

### Test the Entry

To test this example:

- 1 Register the code replacement mapping.
- 2 Use the example model `matlab/help/toolbox/ecoder/examples/code_replacement/lookup1d.slx`.
- 3 Configure the model with the following settings:
  - On the **Solver** pane, select a fixed-step solver.
  - On the **Code Generation** pane, select an ERT-based system target file.
  - On the **Code Generation > Interface** pane, select the code replacement library that contains your memory function entry.

## Programmatic Specification

This example shows how to specify code replacement table entries for lookup table functions programmatically.

### Open and Examine Example Replacement Function

Identify or create the C or C++ replacement function for the algorithm that you want to use in place of a Simulink software algorithm.

This example uses the following C replacement function header and source files. These files are in the folder `matlab/help/toolbox/ecoder/examples/code_replacement`:

- `myLookup1D.h`
- `myLookup1D.c`

Place a copy of these files in your working folder.

Open and examine the code for `myLookup1D.h`.

```
real_T my_Lookup1D_Repl(real_T u0, const real_T *bp0, const real_T *table, uint32_T td1);
```

Open and examine the code in `myLookup1D.c`. Note the function signature. When you enter the implementation argument specification in the Code Replacement Tool, specify argument properties.

```
#include "myLookup1D.h"
real_T my_Lookup1D_Rep1(real_T u0, const real_T *bp0, const real_T *table, uint32_T td1)
{
    real_T y;
    uint16_T frac;
    uint32_T bpIdx;
    uint32_T maxIndex=td1-1;

    if (u0 <= bp0[0U]) {
        bpIdx = 0U;
        frac = 0U;
    } else if (u0 < bp0[maxIndex]) {
        bpIdx = maxIndex >> 1U;
        while ((u0 < bp0[bpIdx]) && (bpIdx > 0U)) {
            bpIdx--;
        }

        while ((bpIdx < maxIndex - 1U) && (u0 >= bp0[bpIdx + 1U])) {
            bpIdx++;
        }

        frac = (uint16_T)((u0 - bp0[bpIdx]) / (bp0[bpIdx + 1U] -
            bp0[bpIdx]) * 32768.0);
    } else {
        bpIdx = maxIndex;
        frac = 0U;
    }

    if (bpIdx == maxIndex) {
        y = table[bpIdx];
    } else {
        y = (table[bpIdx + 1U] - table[bpIdx]) * ((real_T)frac * 3.0517578125E-5) +
            table[bpIdx];
    }

    return y;
}
```

### Review Lookup Function Signature

Look up the call signature information for the lookup function that you want to update with an algorithm replacement. See “Lookup Table Function Signatures” on page 24-115.

Replace the algorithm for the function associated with the 1–D Lookup Table block. The signature for that function is:

$$y_1 = \text{lookup1D}(u_1, u_2, u_3, u_4)$$

Arguments `u1`, `u2`, `u3`, and `u4` represent input, breakpoint data, table data, and table dimension length, respectively. The function returns output to `y1`.

## Create Code Replacement Entry

Create a code replacement table file as a MATLAB function, that describes the lookup table function code replacement table entries. Place a copy of the file `matlab/help/toolbox/ecoder/examples/code_replacement/Lookup1D_CRL_table.m` in your working folder. This file defines a code replacement table for the C function `my_Lookup1D_Repl`.

Open `Lookup1D_CRL_table.m` and examine the definition.

- 1 Create a table definition file that contains a function definition. For example:

```
function hLib = my_lookup_replacement_table
```

- 2 Within the function body, create the table by calling the function `RTW.Tf1Table`.

```
hLib = RTW.Tf1Table;
```

- 3 Create an entry for the function mapping with a call to the `RTW.Tf1CFunctionEntry` function.

```
hEnt = RTW.Tf1CFunctionEntry;
```

- 4 Set function entry parameters with a call to the `setTf1CFunctionEntryParameters` function. The function key, implementation name, and header and source files in the function call identify the Simulink lookup table function name, `lookup1D`, and the following information for replacement function `my_Lookup1D_Repl`:

- Function name
- Header file
- Source file

Specify the Simulink lookup table function name exactly as it appears in the documented signature, including character casing (see “Lookup Table Function Signatures” on page 24-115). If you copied the example files to a folder other than the working folder that contains the test model, `lookup1d.slx`, specify the source and header file paths.

```
setTf1CFunctionEntryParameters(hEnt, ...  
    'Key', 'lookup1D', ...  
    'Priority', 100, ...  
    'ImplementationName', 'my_Lookup1D_Repl', ...  
    'ImplementationHeaderFile', 'myLookup1D.h', ...  
    'ImplementationSourceFile', 'myLookup1D.c', ...
```

```
'GenCallback', 'RTW.copyFileToBuildDir');
```

- 5 Create conceptual arguments and add them to the entry. This example uses calls to the `getTflArgFromString` and `addConceptualArg` functions to create and add the arguments.

The example defines five conceptual arguments for the `lookup1D` function, one output argument `y1` and four input arguments `u1`, `u2`, `u3`, and `u4`. Arguments `y1` and `u1` are defined as scalar `double` data. Arguments `u2` and `u3` represent `bp1` and `table` in the signature and are defined as 1x10 matrices of `double` data. Argument `u4` represents `td1` and is defined as scalar of `uint32` data. This definition triggers a match with the example model.

```
arg = hEnt.getTflArgFromString('y1','double');
arg.IOType = 'RTW_IO_OUTPUT';
addConceptualArg(hEnt, arg);
```

```
arg = hEnt.getTflArgFromString('u1','double');
addConceptualArg(hEnt, arg);
```

```
arg = RTW.TflArgMatrix('u2', 'RTW_IO_INPUT', 'double');
arg.DimRange = [0 0; Inf Inf];
addConceptualArg(hEnt, arg);
```

```
arg = RTW.TflArgMatrix('u3', 'RTW_IO_INPUT', 'double');
arg.DimRange = [0 0; Inf Inf];
addConceptualArg(hEnt, arg);
```

```
arg = hEnt.getTflArgFromString('u4','uint32');
addConceptualArg(hEnt, arg);
```

- 6 Review the algorithm parameter information for the lookup function that you want to update with an algorithm replacement. Use the `getAlgorithmParameters` function to display the parameter information.

```
algParams = getAlgorithmParameters(hEnt)
```

```
algParams =
```

```
Lookup with properties:
```

```
InterpMethod: [1x1 coder.algorithm.parameter.InterpMethod]
ExtrapMethod: [1x1 coder.algorithm.parameter.ExtrapMethod]
RndMeth: [1x1 coder.algorithm.parameter.RndMeth]
IndexSearchMethod: [1x1 coder.algorithm.parameter.IndexSearchMethod]
UseLastTableValue: [1x1 coder.algorithm.parameter.UseLastTableValue]
RemoveProtectionInput: [1x1 coder.algorithm.parameter.RemoveProtectionInput]
SaturateOnIntegerOverflow: [1x1 coder.algorithm.parameter.SaturateOnIntegerOverflow]
SupportTunableTableSize: [1x1 coder.algorithm.parameter.SupportTunableTableSize]
BPPower2Spacing: [1x1 coder.algorithm.parameter.BPPower2Spacing]
```

Examine the information for each parameter. The `Options` property lists possible values. `Primary` indicates whether a parameter is required (1) or optional (0). The

**Value** property specifies the current value. For required parameters, initially, **Value** is set to the default value for a given lookup table function.

**algParams.InterpMethod**

ans =

InterpMethod with properties:

```
    Name: 'InterpMethod'  
  Options: {'Linear' 'Flat' 'Nearest'}  
  Primary: 1  
    Value: {'Linear'}
```

**algParams.RndMeth**

ans =

RndMeth with properties:

```
    Name: 'RndMeth'  
  Options: {1x7 cell}  
  Primary: 0  
    Value: {1x7 cell}
```

**algParams.RndMeth.Options**

ans =

Columns 1 through 5

```
'Ceiling'    'Convergent'    'Floor'    'Nearest'    'Round'
```

Columns 6 through 7

```
'Simplest'    'Zero'
```

**algParams.RndMeth**

ans =

RndMeth with properties:

```
    Name: 'RndMeth'  
  Options: {1x7 cell}
```



```

    Primary: 0
    Value: {1x7 cell}

```

```

.
.
.

```

- 7 Set the algorithm properties for the `lookup1D` table entry. Assign a value to each parameter. Update the parameter settings for the entry by calling the function `setAlgorithmParameters`. The following parameter settings trigger a match with the example model.

```

algParams.InterpMethod = 'Linear';
algParams.ExtrapMethod = 'Clip';
algParams.RndMeth = 'Round';
algParams.IndexSearchMethod = 'Linear search';
algParams.UseLastTableValue = 'Evenly spaced point';
algParams.RemoveProtectionInput = 'off';
algParams.SaturateOnIntegerOverflow = 'off';
algParams.SupportTunableTableSize = 'off';
algParams.BPPower2Spacing = 'off';
setAlgorithmParameters(hEnt, algParams);

```

```
ans =
```

```
RndMeth with properties:
```

```

    Name: 'RndMeth'
    Options: {1x7 cell}
    Primary: 0
    Value: {1x7 cell}

```

```

.
.
.

```

To verify your changes, call `getAlgorithmParameters` to get the parameter set for the table entry. Examine the value of each parameter.

```

getAlgorithmParameters(hEnt, algParams);
algParams.InterpMethod.Value

```

```
ans =
```

```
'Linear'
```

```
algParams.ExtrapMethod.Value
```

```

ans =
    'Clip'
algParams.RndMeth.Value
ans =
    'Round'
.
.
.

```

- 8** Create the implementation arguments and add them to the entry. This example uses calls to the `getTf1ArgFromString` function to create five implementation arguments that map to arguments in the replacement function prototype: one output argument *y1* and four input arguments *u1*, *u2*, *u3*, and *u4*. The convenience methods `setReturn` and `addArgument` specify whether an argument is a return value or argument. The `addArgument` function also adds each argument to the entry's array of implementation arguments.

```

arg = hEnt.getTf1ArgFromString('y1', 'double');
arg.IOType = 'RTW_IO_OUTPUT';
hEnt.Implementation.setReturn(arg);

arg = hEnt.getTf1ArgFromString('u1', 'double');
hEnt.Implementation.addArgument(arg);

arg = hEnt.getTf1ArgFromString('u2', 'double*');
hEnt.Implementation.addArgument(arg);

arg = hEnt.getTf1ArgFromString('u3', 'double*');
hEnt.Implementation.addArgument(arg);

arg = hEnt.getTf1ArgFromString('u4', 'uint32');
hEnt.Implementation.addArgument(arg);

```

- 9** Add the entry to a code replacement table with a call to the `addEntry` function.

```
addEntry(hLib, hEnt);
```

- 10** Save the table definition file. Use the name of the table definition function to name the file.

## Test the Entry

To test this example:

- 1 Register the code replacement mapping.
- 2 Use the example model `matlab/help/toolbox/ecoder/examples/code_replacement/lookup1d.slx`.
- 3 Configure the model with the following settings:
  - On the **Solver** pane, select a fixed-step solver.
  - On the **Code Generation** pane, select an ERT-based system target file.
  - On the **Code Generation > Interface** pane, select the code replacement library that contains your memory function entry.

## Sample Code Replacement Definition for the lookup2D Function

The following code shows a replacement definition for the `lookup2D` function.

```
function hLib = my_2dlookup_replacement_table

hLib = RTW.Tf1Table;

hEnt = RTW.Tf1CFunctionEntry;
setTf1CFunctionEntryParameters(hEnt, ...
    'Key', 'lookup2D', ...
    'Priority', 100, ...

    'ImplementationName', 'custom_lookup2d', ...
    'ImplementationHeaderFile', 'custom_lookup2d.h', ...
    'ImplementationSourceFile', 'custom_lookup2d.c', ...
    'GenCallback', 'RTW.copyFileToBuildDir');

% Conceptual Args

arg = hEnt.getTf1ArgFromString('y1','double');
arg.IOType = 'RTW_IO_OUTPUT';
addConceptualArg(hEnt, arg);

arg = hEnt.getTf1ArgFromString('u1','double');
addConceptualArg(hEnt, arg);

arg = hEnt.getTf1ArgFromString('u2','double');
```

```
addConceptualArg(hEnt, arg);

arg = RTW.Tf1ArgMatrix('u3', 'RTW_IO_INPUT', 'double');
arg.DimRange = [1 1; 10 1];
addConceptualArg(hEnt, arg);

arg = RTW.Tf1ArgMatrix('u4', 'RTW_IO_INPUT', 'double');
arg.DimRange = [1 1; 10 1];
addConceptualArg(hEnt, arg);

arg = RTW.Tf1ArgMatrix('u5', 'RTW_IO_INPUT', 'double');
arg.DimRange = [1 1; 10 1];
addConceptualArg(hEnt, arg);

arg = hEnt.getTf1ArgFromString('u6','uint32');
addConceptualArg(hEnt, arg);

arg = hEnt.getTf1ArgFromString('u7','uint32');
addConceptualArg(hEnt, arg);

% Algorithm Parameters

addAlgorithmProperty(hEnt, 'ExtrapMethod','Clip');
addAlgorithmProperty(hEnt, 'IndexSearchMethod','Linear search');
addAlgorithmProperty(hEnt, 'InterpMethod','Linear');
addAlgorithmProperty(hEnt, 'RemoveProtectionInput','off');
addAlgorithmProperty(hEnt, 'UseLastTableValue','on');

% Implementation Args

arg = hEnt.getTf1ArgFromString('y1','double');
arg.IOType = 'RTW_IO_OUTPUT';
hEnt.Implementation.setReturn(arg);

arg = hEnt.getTf1ArgFromString('u1','double');
hEnt.Implementation.addArgument(arg);

arg = hEnt.getTf1ArgFromString('u2','double');
hEnt.Implementation.addArgument(arg);

arg = hEnt.getTf1ArgFromString('u3','double*');
arg.Type.BaseType.ReadOnly = true;
hEnt.Implementation.addArgument(arg);
```

```
arg = hEnt.getTflArgFromString('u4','double*');
arg.Type.BaseType.ReadOnly = true;
hEnt.Implementation.addArgument(arg);

arg = hEnt.getTflArgFromString('u5','double*');
arg.Type.BaseType.ReadOnly = true;
hEnt.Implementation.addArgument(arg);

arg = hEnt.getTflArgFromString('u6','uint32');
hEnt.Implementation.addArgument(arg);

arg = hEnt.getTflArgFromString('u7','uint32');
hEnt.Implementation.addArgument(arg);

hLib.addEntry(hEnt);
```

## Related Examples

- “Define Code Replacement Mappings” on page 24-42
- “Register Code Replacement Mappings” on page 24-68
- “Verify Code Replacements” on page 24-78
- “Data Alignment for Code Replacement” on page 24-136
- “Reserved Identifiers and Code Replacement” on page 24-159
- “Customize Match and Replacement Process” on page 24-161
- “Develop a Code Replacement Library” on page 24-26
- “Quick Start Library Development” on page 24-27
- “Optimize Generated Code By Developing and Using Code Replacement Libraries - Simulink®”

## More About

- “Code You Can Replace From Simulink Models” on page 20-4
- “Code Replacement Terminology” on page 20-25

## Data Alignment for Code Replacement

Code replacement libraries can align data objects passed into a replacement function to a specified boundary.

In this section...
“Code Replacement Data Alignment” on page 24-136
“Specify Data Alignment Requirements for Function Arguments” on page 24-136
“Provide Data Alignment Specifications for Compilers” on page 24-138
“Basic Example of Code Replacement Data Alignment” on page 24-143

### Code Replacement Data Alignment

You can take advantage of function implementations that require aligned data to optimize application performance. To configure data alignment for a function implementation:

- 1 Specify the data alignment requirements in a code replacement entry. Specify alignment separately for each implementation function argument or collectively for all function arguments. See “Specify Data Alignment Requirements for Function Arguments” on page 24-136.
- 2 Specify the data alignment capabilities and syntax for one or more compilers. Include the alignment specifications in a library registration entry in the `rtwTargetInfo.m` file. See “Provide Data Alignment Specifications for Compilers” on page 24-138.
- 3 Register the library containing the table entry and alignment specification object.
- 4 Configure the code generator to use the code replacement library and generate code. Observe the results.

For examples, see “Basic Example of Code Replacement Data Alignment” on page 24-143 and the “Data Alignment for Function Implementations” section of the “Optimize Generated Code By Developing and Using Code Replacement Libraries - Simulink®” example page.

### Specify Data Alignment Requirements for Function Arguments

To specify the data alignment requirement for an argument in a code replacement entry:

- If you are defining a replacement function in a code replacement table registration file, create an argument descriptor object (`RTW.ArgumentDescriptor`). Use its `AlignmentBoundary` property to specify the required alignment boundary and assign the object to the argument `Descriptor` property.
- If you are defining a replacement function using the Code Replacement Tool, on the **Mapping Information** tab, in the **Argument properties** section for the replacement function, enter a value for the **Alignment value** parameter.

The screenshot shows a dialog box titled "Replacement function". It is divided into several sections:

- Function prototype:**
  - Name:
  - C++ namespace:
  - Function returns void
- Function arguments:** A list box containing "y1(return arg)" and "u1". There are up and down arrow buttons next to the list.
- Argument properties:**
  - Data type:
  - I/O type:
  - Const
  - Pointer
  - Complex
  - Alignment value:

The `AlignmentBoundary` property (or **Alignment value** parameter) specifies the alignment boundary for data passed to a function argument, in number of bytes. The `AlignmentBoundary` property is valid only for addressable objects, including matrix and pointer arguments. It is not applicable for value arguments. Valid values are:

- -1 (default) — If the data is a `Simulink.Bus`, `Simulink.Signal`, or `Simulink.Parameter` object, specifies that the code generator determines an optimal alignment based on usage. Otherwise, specifies that there is not an alignment requirement for this argument.
- Positive integer that is a power of 2, not exceeding 128 — Specifies number of bytes in the boundary. The starting memory address for the data allocated for the function argument is a multiple of the specified value. If you specify an alignment boundary that is less than the natural alignment of the argument data type, the alignment directive is emitted in the generated code. However, the target compiler ignores the directive.

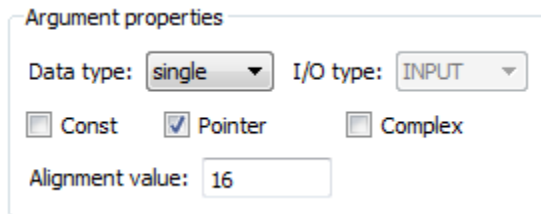
The following code specifies the `AlignmentBoundary` for an argument as 16 bytes.

```

hLib = RTW.Tf1Table;
entry = RTW.Tf1COperationEntry;
arg = getTf1ArgFromString(hLib, 'u1', 'single*');
desc = RTW.ArgumentDescriptor;
desc.AlignmentBoundary = 16;
arg.Descriptor = desc;
entry.Implementation.addArgument(arg);

```

The equivalent alignment boundary specification in the Code Replacement Tool dialog box is in this figure.




---

**Note:** If your model imports `Simulink.Bus`, `Simulink.Parameter`, or `Simulink.Signal` objects, specify an alignment boundary in the object properties, using the **Alignment** property. For more information, see `Simulink.Bus`, `Simulink.Parameter`, and `Simulink.Signal`.

---

## Provide Data Alignment Specifications for Compilers

To support data alignment in generated code, describe the data alignment capabilities and syntax for your compilers in the code replacement library registration. Provide one or more alignment specifications for each compiler in a library registry entry.

To describe the data alignment capabilities and syntax for a compiler:

- If you are defining a code replacement library registration entry in a `rtwTargetInfo.m` customization file, add one or more `AlignmentSpecification` objects to an `RTW.DataAlignment` object. Attach the `RTW.DataAlignment` object to the `TargetCharacteristics` object of the registry entry.

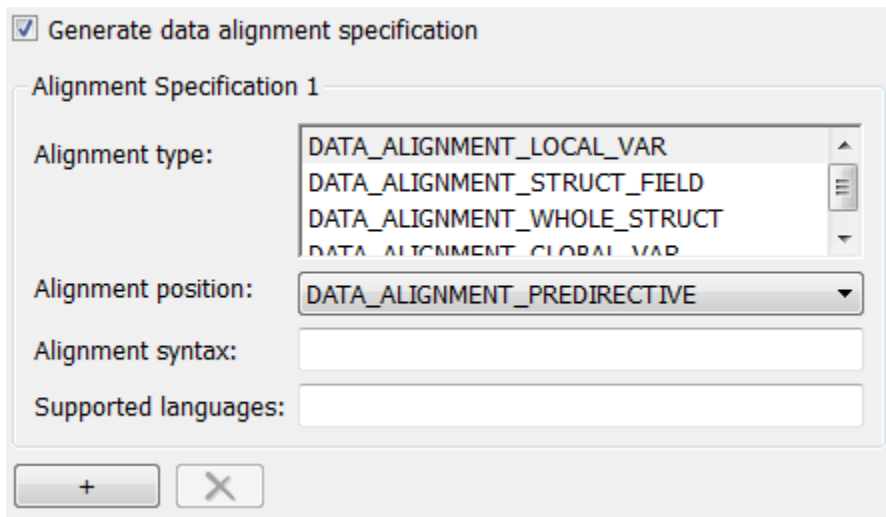
The `RTW.DataAlignment` object also has the property `DefaultMallocAlignment`, which specifies the default alignment boundary, in bytes, that the compiler uses for dynamically allocated memory. If the code generator uses dynamic memory allocation



for a data object involved in a code replacement, this value determines if the memory satisfies the alignment requirement of the replacement. If not, the code generator does not use the replacement. The default value for `DefaultMallocAlignment` is `-1`, indicating that the default alignment boundary used for dynamically allocated memory is unknown. In this case, the code generator uses the natural alignment of the data type to determine whether to allow a replacement.

Additionally, you can specify the alignment boundary for complex types by using the `addComplexTypeAlignment` function.

- If you are generating a customization file function using the Code Replacement Tool, fill out the following fields for each compiler.



Click the plus (+) symbol to add additional compiler specifications.

For each data alignment specification, provide the following information.

Alignment-Specification Property	Dialog Box Parameter	Description
<code>AlignmentType</code>	<b>Alignment type</b>	Cell array of predefined enumerated strings, specifying which types of alignment this specification supports. <ul style="list-style-type: none"> <li>• <code>DATA_ALIGNMENT_LOCAL_VAR</code> — Local variables.</li> </ul>

Alignment-Specification Property	Dialog Box Parameter	Description
		<ul style="list-style-type: none"> <li>• DATA_ALIGNMENT_GLOBAL_VAR — Global variables.</li> <li>• DATA_ALIGNMENT_STRUCT_FIELD — Individual structure fields.</li> <li>• DATA_ALIGNMENT_WHOLE_STRUCT — Whole structure, with padding (individual structure field alignment, if specified, is favored and takes precedence over whole structure alignment).</li> </ul> <p>Each alignment specification must specify at least DATA_ALIGNMENT_GLOBAL_VAR and DATA_ALIGNMENT_STRUCT_FIELD.</p>

Alignment-Specification Property	Dialog Box Parameter	Description
AlignmentPosition	<b>Alignment position</b>	<p>Predefined enumerated string specifying the position in which you must place the compiler alignment directive for alignment type <code>DATA_ALIGNMENT_WHOLE_STRUCT</code>:</p> <ul style="list-style-type: none"> <li>• <code>DATA_ALIGNMENT_PREDIRECTIVE</code> — The alignment directive is emitted before <code>struct st_tag{...}</code>, as part of the type definition statement (for example, MSVC).</li> <li>• <code>DATA_ALIGNMENT_POSTDIRECTIVE</code> — The alignment directive is emitted after <code>struct st_tag{...}</code>, as part of the type definition statement (for example, gcc).</li> <li>• <code>DATA_ALIGNMENT_PRECEDING_STATEMENT</code> — The alignment directive is emitted as a standalone statement immediately preceding the definition of the structure type. A semicolon (;) must terminate the registered alignment syntax.</li> <li>• <code>DATA_ALIGNMENT_FOLLOWING_STATEMENT</code> — The alignment directive is emitted as a standalone statement immediately following the definition of the structure type. A semicolon (;) must terminate the registered alignment syntax.</li> </ul> <p>For alignment types other than <code>DATA_ALIGNMENT_WHOLE_STRUCT</code>, code generation uses alignment position <code>DATA_ALIGNMENT_PREDIRECTIVE</code>.</p>

Alignment-Specification Property	Dialog Box Parameter	Description
AlignmentSyntax-Template	Alignment syntax	<p>Specifies the alignment directive string that the compiler supports. The string is registered as a syntax template that has placeholders in it. These placeholders are supported:</p> <ul style="list-style-type: none"> <li>• %n — Replaced by the alignment boundary for the replacement function argument.</li> <li>• %s — Replaced by the aligned symbol, usually the identifier of a variable.</li> </ul> <p>For example, for the gcc compiler, you can specify <code>__attribute__((aligned(%n)))</code>, or for the MSVC compiler, <code>__declspec(align(%n))</code>.</p>
SupportedLanguage	Supported languages	<p>Cell array specifying the languages to which this alignment specification applies, among c and c++. Sometimes alignment syntax and position differ between languages for a compiler.</p> <p>.</p>

Here is a data alignment specification for the GCC compiler:

```

da = RTW.DataAlignment;

as = RTW.AlignmentSpecification;
as.AlignmentType = {'DATA_ALIGNMENT_LOCAL_VAR', ...
                  'DATA_ALIGNMENT_STRUCT_FIELD', ...
                  'DATA_ALIGNMENT_GLOBAL_VAR'};
as.AlignmentSyntaxTemplate = '__attribute__((aligned(%n)))';
as.AlignmentPosition = 'DATA_ALIGNMENT_PREDIRECTIVE';
as.SupportedLanguages = {'c', 'c++'};
da.addAlignmentSpecification(as);

tc = RTW.TargetCharacteristics;
tc.DataAlignment = da;

```

Here is the corresponding specification in the **Generate customization** dialog box of the Code Replacement Tool.

Generate data alignment specification

Alignment Specification 1

Alignment type: DATA\_ALIGNMENT\_LOCAL\_VAR  
DATA\_ALIGNMENT\_STRUCT\_FIELD  
DATA\_ALIGNMENT\_WHOLE\_STRUCT  
DATA\_ALIGNMENT\_GLOBAL\_VAR

Alignment position: DATA\_ALIGNMENT\_PREDIRECTIVE

Alignment syntax: \_\_attribute\_\_((aligned(%n)))

Supported languages: c, c++

## Basic Example of Code Replacement Data Alignment

A simple example of the complete workflow for data alignment specified for code replacement is:

- 1 Create and save the following code replacement table definition file, `cr1_table_mmul_4x4_single_align.m`. This table defines a replacement entry for the `*` (multiplication) operator, the `single` data type, and input dimensions `[4,4]`. The entry also specifies a data alignment boundary of 16 bytes for each replacement function argument. The entry expresses the requirement that the starting memory address for the data allocated for the function arguments during code generation is a multiple of 16.

```
function hLib = cr1_table_mmul_4x4_single_align
%CRL_TABLE_MMUL_4x4_SINGLE_ALIGN - Describe matrix operator entry with data alignment

hLib = RTW.Tf1Table;
entry = RTW.Tf1COperationEntry;
setTf1COperationEntryParameters(entry, ...
    'Key', 'RTW_OP_MUL', ...
    'Priority', 90, ...
    'ImplementationName', 'matrix_mul_4x4_s');

% conceptual arguments
createAndAddConceptualArg(entry, 'RTW.Tf1ArgMatrix', ...
    'Name', 'y1', ...
    'IOType', 'RTW_IO_OUTPUT', ...
    'BaseType', 'single', ...
    'DimRange', [4 4]);
```

```

createAndAddConceptualArg(entry, 'RTW.Tf1ArgMatrix',...
                           'Name',      'u1', ...
                           'BaseType',   'single', ...
                           'DimRange',   [4 4]);

createAndAddConceptualArg(entry, 'RTW.Tf1ArgMatrix',...
                           'Name',      'u2', ...
                           'BaseType',   'single', ...
                           'DimRange',   [4 4]);

% implementation arguments
arg = getTf1ArgFromString(hLib, 'y2', 'void');
arg.IOType = 'RTW_IO_OUTPUT';
entry.Implementation.setReturn(arg);

arg = getTf1ArgFromString(hLib, 'y1', 'single*');
desc = RTW.ArgumentDescriptor;
desc.AlignmentBoundary = 16;
arg.Descriptor = desc;
entry.Implementation.addArgument(arg);

arg = getTf1ArgFromString(hLib, 'u1', 'single*');
desc = RTW.ArgumentDescriptor;
desc.AlignmentBoundary = 16;
arg.Descriptor = desc;
entry.Implementation.addArgument(arg);

arg = getTf1ArgFromString(hLib, 'u2', 'single*');
desc = RTW.ArgumentDescriptor;
desc.AlignmentBoundary = 16;
arg.Descriptor = desc;
entry.Implementation.addArgument(arg);

hLib.addEntry(entry);

```

- 2 Create and save the following registration file, `rtwTargetInfo.m`. If you want to compile the code generated in this example, first modify the `AlignmentSyntaxTemplate` property for the compiler that you use. For example, for the MSVC compiler, replace the gcc template string `__attribute__((aligned(%n)))` with `__declspec(align(%n))`.

```

function rtwTargetInfo(cm)
% rtwTargetInfo function to register a code replacement library (CRL)
% for use with code generation

% Register the CRL defined in local function locCrlRegFcn
cm.registerTargetInfo(@locCrlRegFcn);

end % End of RTWTARGETINFO

% Local function to define a CRL containing crl_table_mmul_4x4_single_align
function thisCrl = locCrlRegFcn

% create an alignment specification object, assume gcc

```

```

as = RTW.AlignmentSpecification;
as.AlignmentType = {'DATA_ALIGNMENT_LOCAL_VAR', ...
                  'DATA_ALIGNMENT_GLOBAL_VAR', ...
                  'DATA_ALIGNMENT_STRUCT_FIELD'};
as.AlignmentSyntaxTemplate = '__attribute__((aligned(%n)))';
as.SupportedLanguages={'c', 'c++'};

% add the alignment specification object
da = RTW.DataAlignment;
da.addAlignmentSpecification(as);

% add the data alignment object to target characteristics
tc = RTW.TargetCharacteristics;
tc.DataAlignment = da;

% Instantiate a CRL registry entry
thisCrl = RTW.TflRegistry;

% Define the CRL properties
thisCrl.Name = 'Data Alignment Example';
thisCrl.Description = 'Example of replacement with data alignment';
thisCrl.TableList = {'crl_table_mmul_4x4_single_align'};
    thisCrl.TargetCharacteristics = tc;

end % End of LOCCRLREGFCN

```

- 3 To register your library with code generator without having to restart MATLAB, enter this command:

```
RTW.TargetRegistry.getInstance('reset');
```

- 4 Configure the code generator to use your code replacement library.
- 5 Generate code and a code generation report.
- 6 Review the code replacements. For example, check whether a multiplication operation is replaced with a `matrix_mul_4x4_s` function call. In `mmalign.h`, check whether the gcc alignment directive `__attribute__((aligned(16)))` is generated to align the function variables.

## Related Examples

- “Define Code Replacement Mappings” on page 24-42
- “Develop a Code Replacement Library” on page 24-26
- “Quick Start Library Development” on page 24-27
- “Optimize Generated Code By Developing and Using Code Replacement Libraries - Simulink®”

### **More About**

- “Code You Can Replace From Simulink Models” on page 20-4
- “Code Replacement Terminology” on page 20-25



## Replace MATLAB Functions with Custom Code Using `coder.replace`

The `coder.replace` function provides the ability to replace a specified MATLAB function with a code replacement function in generated code. Use `coder.replace` in MATLAB code from which you want to generate C code using:

- MATLAB Coder
- MATLAB code in a Simulink MATLAB Function block

You can replace MATLAB functions that have:

- Single or multiple inputs
- Single or multiple outputs
- Scalar and matrix inputs and outputs

Supported types include:

- `single`, `double` (complex and noncomplex)
- `int8`, `uint8` (complex and noncomplex)
- `int16`, `uint16` (complex and noncomplex)
- `int32`, `uint32` (complex and noncomplex)
- Fixed-point integers
- Mixed types (different type on each input)

### Related Examples

- “Define Code Replacement Mappings” on page 24-42
- “Register Code Replacement Mappings” on page 24-68
- “Develop a Code Replacement Library” on page 24-26
- “Quick Start Library Development” on page 24-27
- “Optimize Generated Code By Developing and Using Code Replacement Libraries - Simulink®”

### More About

- “Code You Can Replace From Simulink Models” on page 20-4

- “Code Replacement Terminology” on page 20-25

## Replace `coder.ceval` Calls to External Functions

The `coder.ceval` function calls external C/C++ functions from code generated from MATLAB code. The code replacement software supports replacement of the function that you specify in a call to `coder.ceval`. An application of this code replacement scenario is to write generic MATLAB code that you can customize for different platforms with code replacements. A code replacement library can define hardware-specific code replacements for the function call. Use `coder.ceval` in MATLAB code from which you want to generate C code using:

- MATLAB Coder
- MATLAB code in a Simulink MATLAB Function block

### In this section...

“Example Files” on page 24-149

“Interactive External Function Call Replacement Specification with Code Replacement Tool” on page 24-151

“Programmatic External Function Call Replacement Specification” on page 24-152

## Example Files

For the examples in “Interactive External Function Call Replacement Specification with Code Replacement Tool” on page 25-99 and “Programmatic External Function Call Replacement Specification” on page 25-100 you must have set up the following:

- Custom C function `my_add.c`.

```
/* my_add.c */  
  
#include "my_add.h"  
  
double my_add(double in1, double in2)  
{  
    return in1 + in2;  
}
```

- Custom C header file `my_add.h`.

```
/* my_add.h */
```

```
double my_add(double in1, double in2);
```

- MATLAB function `call_my_add.m`, which uses `coder.ceval` to invoke `my_add.c`.

```
function y = call_my_add(in1, in2) %#codegen

y=0.0;

if ~coder.target('Rtw')
% Executing in MATLAB, call MATLAB equivalent of C function my_add
    y= in1+in2;
else
% Executing in generated code, call C function my_add
    y = coder.ceval('my_add', in1, in2);
end
```

- MATLAB test function `call_my_add_test.m`, which calls `call_my_add.m`.

```
in1=10;
in2=20;

y = call_my_add(in1, in2);

disp('Output')
disp('y =')
disp(y);
```

- Replacement C function `my_add_replacement.c`.

```
/* my_add_replacement.c */

#include "my_add_replacement.h"

double my_add_replacement(double in1, double in2)
{
    return in1 + in2;
}
```

- Replacement C header file `my_add_replacement.h`.

```
/* my_add_replacement.h */

double my_add_replacement(double in1, double in2);
```

## Interactive External Function Call Replacement Specification with Code Replacement Tool

This example shows how to define a code replacement table entry for a MATLAB function that calls `coder.ceval` to invoke an external C function. The example shows how to define the entry interactively with the Code Replacement Tool.

- 1 Identify or create the C/C++ code and relevant header files, the MATLAB function that calls `coder.ceval`, a MATLAB test function, and the source and header files for your replacement code. To follow along with this example, set up the files identified in “Example Files” on page 25-97.
- 2 In the Code Replacement Tool, add a table, select that table, and add a function entry. For more information, see “Define Code Replacement Mappings” on page 25-31.
- 3 On the **Mapping Information** tab, select **Custom** for the **Function** parameter.
- 4 In the **function-name** text box, type the custom function name. For this example, type the name `my_add`.
- 5 Under the **Conceptual arguments** list box, click **+** to add three arguments. By default, the tool creates an output argument `y1` and input arguments `u1` and `u2` of type `double`.
- 6 In the **Replacement function > Function prototype** section, type the name `my_add_replacement` in the **Name** text box.
- 7 Under the **Function arguments** list box, click **+** to add three function implementation arguments. By default, the tool creates an output argument `y1` and input arguments `u1` and `u2` of type `double`. Use the default settings.
- 8 In the **Function signature preview** box, if you see the expected function signature, click **Apply**. The function signature for this example, appears as:  

```
double my_add_replacement(double u1, double u2);
```
- 9 On the **Build Information** tab, specify `my_add_replacement.h` for the **Implementation header file** parameter and `my_add_replacement.c` for the **Implementation source file**.
- 10 Click **Validate entry**.
- 11 Save the code replacement table in the same folder as `my_add_replacement.c`. Name the file `cr1_table_my_add.m`.

To test the example:

- 1 Register the table that contains the entry in a code replacement library.
- 2 Configure the code generator to use the code replacement library and to include the Code Replacements Report in the code generation report.
- 3 Generate code and the report.
- 4 Review the code replacements.

## Programmatic External Function Call Replacement Specification

This example shows how to define a code replacement table entry for a MATLAB function that calls `coder.ceval` to invoke an external C function. The example shows how to define the entry programmatically.

- 1 Identify or create the C/C++ code and relevant header files, the MATLAB function that calls `coder.ceval` to invoke the C/C++ function, a MATLAB test function, and the source and header files for your replacement code. To follow along with this example, set up the files identified in “Example Files” on page 25-97.
- 2 Create a table definition file that contains a function definition. For example:

```
function hLib = crl_table_my_add
```

- 3 Within the function body, create the table by calling the function `RTW.Tf1Table`.
- 4 Create an entry for the function mapping with a call to the `RTW.Tf1CFunctionEntry` function.

```
hEnt = RTW.Tf1CFunctionEntry;
```

- 5 Set function entry parameters with a call to the `setTf1CFunctionEntryParameters` function.

```
hEnt.setTf1CFunctionEntryParameters( ...  
    'Key', 'my_add', ...  
    'Priority', 100, ...  
    'ImplementationName', 'my_add_replacement', ...  
    'ImplementationHeaderFile', 'my_add_replacement.h', ...  
    'ImplementationSourceFile', 'my_add_replacement.c');
```

- 6 Create conceptual arguments `y1`, `u1`, and `u1`. This example uses calls to the `getTf1ArgFromString` and `addConceptualArg` functions to create and add the arguments.

```
arg = hEnt.getTf1ArgFromString('y1', 'double');  
arg.IOType = 'RTW_IO_OUTPUT';
```

```

hEnt.addConceptualArg(arg);

arg = hEnt.getTf1ArgFromString('u1','double');
hEnt.addConceptualArg(arg);

arg = hEnt.getTf1ArgFromString('u2','double');
hEnt.addConceptualArg(arg);

```

- 7 Create the implementation arguments and add them to the entry. This example uses calls to the `getTf1ArgFromString` function to create implementation arguments. These functions map to arguments in the replacement function prototype: output argument `y1` and input arguments `u1` and `u2`. For each argument, the example uses the convenience method `setReturn` or `addArgument` to specify whether an argument is a return value or argument. For each argument, this example adds the argument to the entry array of implementation arguments.

```

arg = hEnt.getTf1ArgFromString('y1','double');
arg.IOType = 'RTW_IO_OUTPUT';
hEnt.Implementation.setReturn(arg);

arg = hEnt.getTf1ArgFromString('u1','double');
hEnt.Implementation.addArgument(arg);

arg = hEnt.getTf1ArgFromString('u2','double');
hEnt.Implementation.addArgument(arg);

```

- 8 Add the entry to a code replacement table with a call to the `addEntry` function.

```
hLib.addEntry(hEnt);
```

- 9 Save the table definition file. Use the name of the table definition function to name the file.

To test the example:

- 1 Register the table that contains the entry in a code replacement library.
- 2 Configure the code generator to use the code replacement library and to include the Code Replacements Report in the code generation report.
- 3 Generate code and the report.
- 4 Review the code replacements.

## Related Examples

- “Integrate MATLAB Algorithm in Model”

- “Define Code Replacement Mappings” on page 24-42
- “Develop a Code Replacement Library” on page 24-26
- “Optimize Generated Code By Developing and Using Code Replacement Libraries - Simulink®”
- “Quick Start Library Development” on page 24-27

### **More About**

- “Code Replacement Match and Replacement Process” on page 24-22
- “Code Replacement Terminology” on page 20-25



## Replace MATLAB Functions Specified in MATLAB Function Blocks

This example shows how to use code replacement to replace a **MATLAB** function specified in a MATLAB Function block.

- 1 Open the `ex_replace` model. At the command prompt, enter:

```
addpath(fullfile(docroot,'toolbox','ecoder','examples'))
ex_replace
```

- 2 View the MATLAB Function Block code. In the model, double-click the MATLAB Function block to view the code in the MATLAB editor.

```
function y = customFcn(u1, u2) %#codegen
% This block supports MATLAB for code generation.

% Replace this MATLAB function with CRL replacement function and if no
% CRL replacement is found, generate an error during code generation.
coder.replace('-errorifnoreplacement');

assert(isa(u1,'int32'));
assert(isa(u2,'int32'));

y = power(u1,u2);
```

The `coder.replace('-errorifnoreplacement')` statement instructs the code generator to replace this MATLAB function with a code replacement library function. The code generator produces an error if it does not find a match.

- 3 Create a table definition file that contains a function definition. For example:

```
function hTable = crl_table_coderreplace()
```

- 4 Within the function body, create the table by calling the function `RTW.Tf1Table`.

```
hTable = RTW.Tf1Table;
```

- 5 Create an entry for the function mapping with a call to the `RTW.Tf1CFunctionEntry` function.

```
hEnt = RTW.Tf1CFunctionEntry;
```

- 6 Set function entry parameters with a call to the `setTf1CFunctionEntryParameters` function.

```
setTf1CFunctionEntryParameters(hEnt, ...
    'Key', 'customFcn', ...
```

```

    'Priority',                100, ...
    'ImplementationName',    'scalarFcnReplacement', ...
    'ImplementationHeaderFile', 'MyMath.h', ...
    'ImplementationSourceFile', 'MyMath.c')

```

- 7 Create conceptual arguments `y1`, `u1`, and `u1`. This example uses calls to the `getTf1ArgFromString` and `addConceptualArg` functions to create and add the arguments.

```

arg = getTf1ArgFromString(hEnt, 'y1', 'int32');
arg.IOType = 'RTW_IO_OUTPUT';
addConceptualArg(hEnt, arg);

```

```

arg = getTf1ArgFromString(hEnt, 'u1', 'int32');
addConceptualArg(hEnt, arg);

```

```

arg = getTf1ArgFromString(hEnt, 'u2', 'int32');
addConceptualArg(hEnt, arg);

```

- 8 Create the implementation arguments and add them to the entry. This example uses calls to the `getTf1ArgFromString` function to create implementation arguments that map to arguments in the replacement function prototype: output argument `void`, input arguments `u1` and `u2`, and output argument `y1`. The convenience methods `setReturn` and `addArgument` specify whether an argument is a return value or argument. The `addArgument` function also adds each argument to the entry's array of implementation arguments.

```

arg = getTf1ArgFromString(hEnt, 'void', 'void');
arg.IOType = 'RTW_IO_OUTPUT';
hEnt.Implementation.setReturn(arg);

```

```

arg = getTf1ArgFromString(hEnt, 'u1', 'int32');
hEnt.Implementation.addArgument(arg);

```

```

arg = getTf1ArgFromString(hEnt, 'u2', 'int32');
hEnt.Implementation.addArgument(arg);

```

```

arg = getTf1ArgFromString(hEnt, 'y1', 'int32*');
arg.IOType = 'RTW_IO_OUTPUT';
hEnt.Implementation.addArgument(arg);

```

- 9 Add the entry to a code replacement table with a call to the `addEntry` function.

```

addEntry(hLib, hEnt);

```

- 10 Save the table definition file. Use the name of the table definition function to name the file.

To test the example:

- 1 Register the code replacement mapping.
- 2 Create files `MyMath.c` and `MyMath.h` that define the replacement function, `scalarFcnReplacement`, which has two `int32` inputs and one `int32` output.

`MyMath.c`

```
#include "MyMath.h"

void scalarFcnReplacement(int32_T u1, int32_T u2, int32_T* y1 ) {
    *y1 = u1^u2;
}
```

`MyMath.h`

```
#ifndef _ScalarMath_h
#define _ScalarMath_h

#include "rtwtypes.h"

#ifdef __cplusplus
extern "C" {
#endif

extern void scalarFcnReplacement(int32_T u1, int32_T u2, int32_T* y1);

#ifdef __cplusplus
}
#endif

#endif
```

- 3 Open the `ex_replace` model.
- 4 Configure the code generator to use the code replacement library and to include the Code Replacements Report in the code generation report.
- 5 Generate the replacement code and a code generation report.
- 6 Review the code replacements. In the code generation report, view the generated code for `ex_replace.c`.

```
void ex_replace_step(void)
{
    int32_T y;
    scalarFcnReplacement(ex_replace_U.In1, ex_replace_U.In2, &y);
    ex_replace_Y.Out1 = y;
}
```

```
}
```

### **Related Examples**

- “Define Code Replacement Mappings” on page 24-42
- “Register Code Replacement Mappings” on page 24-68
- “Develop a Code Replacement Library” on page 24-26
- “Quick Start Library Development” on page 24-27
- “Optimize Generated Code By Developing and Using Code Replacement Libraries - Simulink®”

### **More About**

- “Code You Can Replace From Simulink Models” on page 20-4
- “Code Replacement Terminology” on page 20-25

## Reserved Identifiers and Code Replacement

The code generator and C programming language use, internally, reserved keywords for code generation. Do not use reserved keywords as identifiers or function names. Reserved keywords for code generation include many code replacement library identifiers, the majority of which are function names, such as `acos`.

To view a list of reserved identifiers for the code replacement library that you use to generate code, specify the name of the library in a call to the function `RTW.TargetRegistry.getInstance.getTf1ReservedIdentifiers`. For example:

```
cr1_ids = RTW.TargetRegistry.getInstance.getTf1ReservedIdentifiers('GNU99 (GNU)')
```

In a code replacement table, the code generator registers each function implementation name defined by a table entry as a reserved identifier. You can register additional reserved identifiers for the table on a per-header-file basis. Providing additional reserved identifiers can help prevent duplicate symbols and other identifier-related compile and link issues.

To register additional code replacement reserved identifiers, use the `setReservedIdentifiers` function. This function registers specified reserved identifiers to be associated with a code replacement table.

You can register up to four reserved identifier structures in a code replacement table. You can associate one set of reserved identifiers with a code replacement library, while the other three (if present) must be associated with ANSI C. The following example shows a reserved identifier structure that specifies two identifiers and the associated header file.

```
d{1}.LibraryName = 'ANSI_C';
d{1}.HeaderInfos{1}.HeaderName = 'math.h';
d{1}.HeaderInfos{1}.ReservedIds = {'y0', 'y1'};
```

The code generator adds the identifiers to the list of reserved identifiers and honors them during the build procedure.

### Related Examples

- “Customize Code Match and Replacement for Functions” on page 24-163
- “Customize Code Match and Replacement for Scalar Operations” on page 24-238
- “Define Code Replacement Mappings” on page 24-42
- “Register Code Replacement Mappings” on page 24-68

- “Verify Code Replacements” on page 24-78
- “Develop a Code Replacement Library” on page 24-26

### **More About**

- “Code Replacement Terminology” on page 20-25

## Customize Match and Replacement Process

During the build process, the code generator uses:

- Preset match criteria to identify functions and operators for which application-specific implementations replace default implementations.
- Preset replacement function signatures.

It is possible that preset match criteria and preset replacement function signatures do not completely meet your function and operator replacement needs. For example:

- You want to replace an operator with a particular fixed-point implementation function only when fraction lengths are within a particular range.
- When a match occurs, you want to modify your replacement function signature based on compile-time information, such as passing fraction-length values into the function.

To add extra logic into the code replacement match and replacement process, create custom code replacement table entries. With custom entries, you can specify additional match criteria and modify the replacement function signature to meet application needs.

To create a custom code replacement entry:

- 1 Create a custom code replacement entry class, derived from `RTW.Tf1CFunctionEntryML` (for function replacement) or `RTW.Tf1COperationEntryML` (for operator replacement).
- 2 In your derived class, implement a `do_match` method with a fixed preset signature as a MATLAB function. In your `do_match` method, provide either or both of the following customizations that instantiate the class:
  - Add match criteria that the base class does not provide. The base class provides a match based on:
    - Argument number
    - Argument name
    - Signedness
    - Word size
    - Slope (if not specified with wildcards)
    - Bias (if not specified with wildcards)
    - Math modes, such as saturation and rounding

- Operator or function key
  - Modify the implementation signature by adding additional arguments or setting constant input argument values. You can inject a constant value, such as an input scaling value, as an additional argument to the replacement function.
- 3 Create code replacement entries that instantiate the custom entry class.
  - 4 Register a library containing the code replacement table that includes your entries.

During code generation, the code replacement match process tries to match function or operator call sites with the base class of your derived entry class. If the process finds a match, the software calls your `do_match` method to execute your additional match logic (if any) and your replacement function customizations (if any).

### Related Examples

- “Define Code Replacement Mappings” on page 24-42
- “Register Code Replacement Mappings” on page 24-68
- “Develop a Code Replacement Library” on page 24-26

### More About

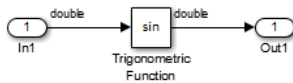
- “Code Replacement Match and Replacement Process” on page 24-22
- “Code Replacement Terminology” on page 20-25



## Customize Code Match and Replacement for Functions

This example shows how to use custom code replacement table entries to refine the match and replacement logic for functions. The example shows how to:

- Modify a sine function replacement only if the integer size on the current target platform is 32 bits.
  - Change the replacement such that the implementation function passes in a degrees-versus-radians flag as an input argument.
- 1 To exercise the table entries that you create in this example, create an ERT-based model with a sine function block. For example:



In the Inport block parameters, set the signal **Data type** to **double**. If the value selected for **Configuration Parameters > Hardware Implementation > Device type** supports an integer size other than 32, do one of the following:

- Select a temporary target platform with a 32-bit integer size.
  - Modify the code to match the integer size of your target platform.
- 2 Create a class, for example `Tf1CustomFunctionEntry`, that is derived from the base class `RTW.Tf1CFunctionEntryML`. The derived class defines a `do_match` method with the signature:

```

function ent = do_match(hThis, ...
    hCSO, ...
    targetBitPerChar, ...
    targetBitPerShort, ...
    targetBitPerInt, ...
    targetBitPerLong, ...
    targetBitPerLongLong)
  
```

In the `do_match` signature:

- `ent` is the return handle, which is returned either as empty (indicating that the match failed) or as a `Tf1CFunctionEntry` handle.
- `hThis` is a handle to the class instance.

- hCSO is a handle to an object that the code generator creates for querying the library for a replacement.
- Remaining arguments are the number of bits for various data types of the current target.

The `do_match` method:

- Adds required additional match criteria that the base class does not provide.
- Makes required modifications to the implementation signature.

In this case, the `do_match` method must match only `targetBitPerInt`, representing the number of bits in the C `int` data type for the current target, to the value 32. If the code generator finds a match, the method sets the return handle and creates and adds an input argument. The input argument represents whether units are expressed as degrees or radians, to the replacement function signature.

Alternatively, create and add the additional implementation function argument for passing a units flag in each code replacement table definition file that instantiates this class. In that case, this class definition code does not create the argument. That code sets only the argument value. For an example of creating and adding additional implementation function arguments in a table definition file, see “Customize Code Match and Replacement for Scalar Operations” on page 24-238.

```
classdef TflCustomFunctionEntry < RTW.TflFunctionEntryML
    methods
        function ent = do_match(hThis, ...
            hCSO, ... %#ok
            targetBitPerChar, ... %#ok
            targetBitPerShort, ... %#ok
            targetBitPerInt, ... %#ok
            targetBitPerLong, ... %#ok
            targetBitPerLongLong) %#ok
            % DO_MATCH - Create a custom match function. The base class
            % checks the types of the arguments prior to calling this
            % method. This will check additional data and perhaps modify
            % the implementation function.

            ent = []; % default the return to empty, indicating the match failed.

            % Match sine function only if the target int size is 32 bits
            if targetBitPerInt == 32
                % Need to modify the default implementation, starting from a copy
                % of the standard TflFunctionEntry.
                ent = RTW.TflFunctionEntry(hThis);

                % If the target int size is 32 bits, the implementation function
                % takes an additional input flag argument indicating degress vs.
```

```

% radians. The additional argument can be created and added either
% in the CRL table definition file that instantiates this class, or
% here in the class definition, as follows:
createAndAddImplementationArg(ent, 'RTW.Tf1ArgNumericConstant', ...
                                'Name',      'u2', ...
                                'IsSigned',   true, ...
                                'WordLength', 32, ...
                                'FractionLength', 0, ...
                                'Value',      1);
end
end
end
end

```

Exit the class folder and return to the previous working folder.

- 3 Create and save the following code replacement table definition file, `crl_table_custom_sinfcn_double.m`. This file defines a code replacement table that contains a function table entry for sine with `double` input and output. This entry instantiates the derived class from the previous step, `Tf1CustomFunctionEntry`.

```

function hTable = crl_table_custom_sinfcn_double

hTable = RTW.Tf1Table;

%% Add Tf1CustomFunctionEntry
fcn_entry = Tf1CustomFunctionEntry;
setTf1CFunctionEntryParameters(fcn_entry, ...
    'Key',      'sin', ...
    'Priority', 30, ...
    'ImplementationName', 'mySin', ...
    'ImplementationHeaderFile', 'mySin.h', ...
    'ImplementationSourceFile', 'mySin.c');

createAndAddConceptualArg(fcn_entry, 'RTW.Tf1ArgNumeric', ...
    'Name',      'y1', ...
    'IOType',    'RTW_IO_OUTPUT', ...
    'DataTypeMode', 'double');

createAndAddConceptualArg(fcn_entry, 'RTW.Tf1ArgNumeric', ...
    'Name',      'u1', ...
    'IOType',    'RTW_IO_INPUT', ...
    'DataTypeMode', 'double');

% Tf1CustomFunctionEntry class do_match method will create and add
% an implementation function argument during code generation if
% the supported integer size on the current target is 32 bits.
copyConceptualArgsToImplementation(fcn_entry);

addEntry(hTable, fcn_entry);

```

- 4 Check the validity of the code replacement table entry.

- At the command prompt, invoke the table definition file.  

```
tbl = crl_table_custom_sinfcn_double
```
- In the Code Replacement Viewer, view the table definition file.  

```
crviewer(crl_table_custom_sinfcn_double)
```

### Related Examples

- “Customize Match and Replacement Process” on page 24-161
- “Define Code Replacement Mappings” on page 24-42
- “Register Code Replacement Mappings” on page 24-68
- “Verify Code Replacements” on page 24-78
- “Develop a Code Replacement Library” on page 24-26

### More About

- “Code Replacement Terminology” on page 20-25

## Scalar Operator Code Replacement

This example shows how to define a code replacement mapping for a scalar operator. The example defines a mapping for the + (addition) operator programmatically. Alternatively, you can use the Code Replacement Tool to define the same mapping.

- 1 Create a table definition file that contains a function definition. For example:

```
function hTable = crl_table_add_uint8
```

- 2 Within the function body, create the table by calling the function `RTW.Tf1Table`.

```
hTable = RTW.Tf1Table;
```

- 3 Create an entry for the operator mapping with a call to the `RTW.Tf1COperationEntry` function.

```
% Create operation entry
op_entry = RTW.Tf1COperationEntry;
```

- 4 Set function entry parameters with a call to the `setTf1COperationEntryParameters` function.

```
% Define addition operation of built-in uint8 data type
% Saturation on, Rounding unspecified
setTf1COperationEntryParameters(op_entry, ...
    'Key', 'RTW_OP_ADD', ...
    'Priority', 90, ...
    'SaturationMode', 'RTW_SATURATE_ON_OVERFLOW', ...
    'RoundingModes', {'RTW_ROUND_UNSPECIFIED'}, ...
    'ImplementationName', 'u8_add_u8_u8', ...
    'ImplementationHeaderFile', 'u8_add_u8_u8.h', ...
    'ImplementationSourceFile', 'u8_add_u8_u8.c');
```

- 5 Create conceptual arguments `y1`, `u1`, and `u2`. There are multiple ways to set up the conceptual arguments. This example uses calls to the `getTf1ArgFromString` and `addConceptualArg` functions to create and add the arguments.

```
arg = getTf1ArgFromString(hTable, 'y1', 'uint8');
arg.IOType = 'RTW_IO_OUTPUT';
addConceptualArg(op_entry, arg);
```

```
arg = getTf1ArgFromString(hTable, 'u1', 'uint8');
addConceptualArg(op_entry, arg);
```

```
arg = getTf1ArgFromString(hTable, 'u2', 'uint8');
addConceptualArg(op_entry, arg);
```

- 6 Copy the conceptual arguments to the implementation arguments. There are multiple ways to set up the implementation arguments. This example uses a call

to the `copyConceptualArgsToImplementation` function to create and add implementation arguments to the entry by copying matching conceptual arguments.

```
copyConceptualArgsToImplementation(op_entry);
```

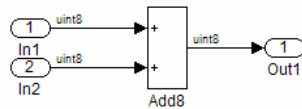
- 7 Add the entry to a code replacement table with a call to the `addEntry` function.

```
addEntry(hTable, op_entry);
```

- 8 Save the table definition file. Use the name of the table definition function to name the file.

To test this example:

- 1 Register the code replacement mapping.
- 2 Create a model that includes an `Add` block, such as this model.



- 3 Configure the model with the following settings:
  - On the **Solver** pane, select a fixed-step solver.
  - On the **Code Generation** pane, select an ERT-based system target file.
  - On the **Code Generation > Interface** pane, select the code replacement library that contains your addition operation entry.
- 4 Generate code and a code generation report.
- 5 Review the code replacements.

## Related Examples

- “Define Code Replacement Mappings” on page 24-42
- “Register Code Replacement Mappings” on page 24-68
- “Verify Code Replacements” on page 24-78
- “Addition and Subtraction Operator Code Replacement” on page 24-170
- “Data Alignment for Code Replacement” on page 24-136
- “Remap Operator Output to Function Input” on page 24-195
- “Customize Code Match and Replacement for Scalar Operations” on page 24-238

- “Develop a Code Replacement Library” on page 24-26
- “Quick Start Library Development” on page 24-27
- “Optimize Generated Code By Developing and Using Code Replacement Libraries - Simulink®”

## **More About**

- “What Is Code Replacement?” on page 20-2
- “What Is Code Replacement Customization?” on page 24-3
- “Code You Can Replace From Simulink Models” on page 20-4
- “Code Replacement Match and Replacement Process” on page 24-22
- “Code Replacement Libraries” on page 20-23
- “Code Replacement Terminology” on page 20-25

## Addition and Subtraction Operator Code Replacement

Consider the following when defining mappings for addition and subtraction operator code replacements.

### In this section...

“Algorithm Options” on page 24-170

“Interactive Specification with Code Replacement Tool” on page 24-171

“Programmatic Specification” on page 24-171

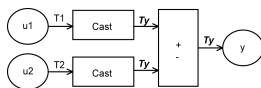
“Algorithm Classification” on page 24-171

“Limitations” on page 24-173

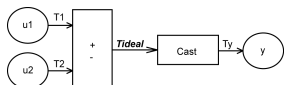
### Algorithm Options

When creating a code replacement table entry for an addition or subtraction operator, first determine the type of algorithm that your library function implements.

- **Cast-before-operation (CBO), default** — Prior to performing the addition or subtraction operation, the algorithm type casts input values to the output type. If the output data type cannot exactly represent the input values, losses can occur as a result of the cast to the output type. Additional loss can occur when the result of the operation is cast to the final output type.



- **Cast-after-operation (CAO)** — The algorithm computes the ideal result of the addition or subtraction operation of the two inputs. The algorithm then type casts the result to the output data type. Loss occurs during the type cast. This algorithm behaves similarly to the C language except when the signedness of the operands does not match. For example, when you add a signed long operand to an unsigned long operand, standard C language rules convert the signed long operand to an unsigned long operand. The result is a value that is not ideal.





## Interactive Specification with Code Replacement Tool

When you use the Code Replacement Tool to create a code replacement table entry for an addition or subtraction operation, the tool displays an **Algorithm** menu. Use that menu to specify the `Cast before operation` or `Cast after operation` algorithm for that entry.

## Programmatic Specification

Create a code replacement table file, as a MATLAB function, that describes the addition or subtraction code replacement table entry. In the call to `setTf1COperationEntryParameters`, set at least these parameters:

- `Key` to `RTW_OP_ADD` or `RTW_OP_MINUS`
- `ImplementationName` to the name of your replacement function
- `EntryInfoAlgorithm` to `RTW_CAST_BFORE_OP` (cast-before-operation) or `RTW_CAST_AFTER_OP` (cast-after-operation)

This example sets parameters for a code replacement operator entry for a cast-after-operation implementation of a `uint8` addition.

```
op_entry = RTW.Tf1COperationEntry;
setTf1COperationEntryParameters(op_entry, ...
    'Key', 'RTW_OP_ADD', ...
    'EntryInfoAlgorithm', 'RTW_CAST_AFTER_OP', ...
    'ImplementationName', 'u8_add_u8_u8');
```

For more information, see `setTf1COperationEntryParameters`.

## Algorithm Classification

During code generation, the code generator examines addition and subtraction operations, including adjacent type cast operations, to determine the type of algorithm to compute the expression result. Based on the data types in the expression and the type of the accumulator (type used to hold the result of the addition or subtraction operation), the code generator uses these rules.

- Floating-point types only

Input 1 Data Type	Input 2 Data Type	Accumulator Data Type	Output Data Type	Classification
double	double	double	double	CBO, CAO

Input 1 Data Type	Input 2 Data Type	Accumulator Data Type	Output Data Type	Classification
double	double	double	single	—
double	double	single	double	—
double	double	single	single	CBO
double	single	double	double	CBO, CAO
double	single	double	single	—
double	single	single	double	—
double	single	single	single	CBO
single	single	single	single	CBO, CAO
single	single	single	double	—
single	single	double	single	—
single	single	double	double	CBO, CAO

- Floating-point and fixed-point types on the immediate addition or subtraction operation

Algorithm	Conditions
CBO	One of the following is true: <ul style="list-style-type: none"> <li>• Operation type is <b>double</b>.</li> <li>• Operation type is <b>single</b> and input types are <b>single</b> or <b>fixed-point</b>.</li> </ul>
CAO	Operation type is a superset of input types—that is, output type can represent values of input types without loss of data.

- Fixed-point types only

Algorithm	Conditions
CBO	At least one of the following is true: <ul style="list-style-type: none"> <li>• Accumulator type equals output type (<math>T_{acc} == T_{out}</math>).</li> <li>• Output type is a superset of input types (<math>T_{acc} \geq \{T_{in1}, T_{in2}\}</math>) and accumulator type is a superset of output type (<math>T_{acc} \geq T_{out}</math>).</li> <li>• Operation does not incur range or precision loss.</li> </ul>

Algorithm	Conditions
CAO	Net bias is zero and the data types in the expression have equal slope adjustment factors. For more information on net bias, see “Addition” or “Subtraction” in “Fixed-Point Operator Code Replacement” on page 25-135 (for MATLAB code) or “Fixed-Point Operator Code Replacement” on page 24-198 (for Simulink models).

In many cases, the numerical result of a CBO operation is equal to that of a CAO operation. For example, if the input and output types are such that the operation produces the ideal result, as in the case of `int8 + int8 -> int16`. To maximize the probability of code replacement occurring in such cases, set the algorithm to cast-after-operation.

## Limitations

- The code generator does not replace operations with nonzero net bias.
- When classifying an operation as a CAO operation, the code generator includes the adjacent casts in the expression when the expression involves only fixed-point types. Otherwise, the code generator classifies and replaces only the immediate addition or subtraction operation. Casts that the code generator excludes from the classification appear in the generated code.
- To enable the code generator to include multiple cast operations, which follow an addition or subtraction of fixed-point data, in the classification of an expression, the rounding mode must be `simplest` or `floor`. Consider the expression `y=(cast A) (cast B) (u1+u2)`. If the rounding mode of `(cast A)`, `(cast B)`, and the addition operator (+) are set to `simplest` or `floor`, the code generator takes into account `(cast A)` and `(cast B)` when classifying the expression and performing the replacement only.

## Related Examples

- “Define Code Replacement Mappings” on page 24-42
- “Fixed-Point Operator Code Replacement” on page 24-198
- “Data Alignment for Code Replacement” on page 24-136
- “Remap Operator Output to Function Input” on page 24-195
- “Customize Code Match and Replacement for Scalar Operations” on page 24-238

- “Develop a Code Replacement Library” on page 24-26
- “Quick Start Library Development” on page 24-27
- “Optimize Generated Code By Developing and Using Code Replacement Libraries - Simulink®”

### **More About**

- “What Is Code Replacement?” on page 20-2
- “What Is Code Replacement Customization?” on page 24-3
- “Code You Can Replace From Simulink Models” on page 20-4
- “Code Replacement Match and Replacement Process” on page 24-22
- “Code Replacement Libraries” on page 20-23
- “Code Replacement Terminology” on page 20-25

### **External Websites**

- [rtwdemo\\_crl\\_cbo\\_cao](#)

## Small Matrix Operation to Processor Code Replacement

This example shows how to define code replacement mappings that replace nonscalar small matrix operations with processor-specific intrinsic functions. The example defines a table containing two matrix operator replacement entries for the + (addition) operator and the `double` data type. The example defines the function mapping programmatically. Alternatively, you can use the Code Replacement Tool to define the same mapping.

- 1 Create a table definition file that contains a function definition. For example:

```
function hTable = crl_table_matrix_add_double
```

- 2 Within the function body, create the table by calling the function `RTW.Tf1Table`.

```
hTable = RTW.Tf1Table;
```

- 3 Create the entry for the first operator mapping with a call to the `RTW.Tf1COperationEntry` function.

```
% Create table entry for matrix_sum_2x2_double
op_entry = RTW.Tf1COperationEntry;
```

- 4 Set operator entry parameters with a call to the `setTf1COperationEntryParameters` function. The code generator ignores saturation and rounding modes for floating-point nonscalar addition and subtraction. For code replacement entries for nonscalar addition and subtraction operations that do not involve fixed-point data, in the call to `setTf1COperationEntryParameters`, specify `'RTW_SATURATE_UNSPECIFIED'` for the `SaturationMode` property and `{'RTW_ROUND_UNSPECIFIED'}` for `RoundingModes`.

```
setTf1COperationEntryParameters(op_entry, ...
    'Key', 'RTW_OP_ADD', ...
    'Priority', 30, ...
    'SaturationMode', 'RTW_WRAP_ON_OVERFLOW', ...
    'ImplementationName', 'matrix_sum_2x2_double', ...
    'ImplementationHeaderFile', 'MatrixMath.h', ...
    'ImplementationSourceFile', 'MatrixMath.c', ...
    'ImplementationHeaderPath', LibPath, ...
    'ImplementationSourcePath', LibPath, ...
    'AdditionalIncludePaths', {LibPath}, ...
    'GenCallback', 'RTW.copyFileToBuildDir', ...
    'SideEffects', true);
```

- 5 Create conceptual arguments `y1`, `u1`, and `u2`. There are multiple ways to set up the conceptual arguments. This example uses calls to the `createAndAddConceptualArg` function to create and add an argument with one function call. To specify a matrix argument in the function call, use the argument

class `RTW.Tf1ArgMatrix`. Specify the base type and the dimensions for which the argument is valid. The first table entry specifies `[2 2]` and the second table entry specifies `[3 3]`.

```
% Specify operands and result
createAndAddConceptualArg(op_entry, 'RTW.Tf1ArgMatrix', ...
    'Name', 'y1', ...
    'IOType', 'RTW_IO_OUTPUT', ...
    'BaseType', 'double', ...
    'DimRange', [2 2]);
createAndAddConceptualArg(op_entry, 'RTW.Tf1ArgMatrix',...
    'Name', 'u1', ...
    'BaseType', 'double', ...
    'DimRange', [2 2]);
createAndAddConceptualArg(op_entry, 'RTW.Tf1ArgMatrix',...
    'Name', 'u2', ...
    'BaseType', 'double', ...
    'DimRange', [2 2]);
```

- 6 Create the implementation arguments. There are multiple ways to set up the implementation arguments. This example uses calls to the `getTf1ArgFromString` to create the arguments. The convenience methods `setReturn` and `addArgument` specify whether an argument is a return value or argument and adds the argument to the entry's array of implementation arguments.

```
arg = getTf1ArgFromString(hTable, 'y2', 'void');
arg.IOType = 'RTW_IO_OUTPUT';
op_entry.Implementation.setReturn(arg);

arg = getTf1ArgFromString(hTable, 'u1', ['double' '*']);
op_entry.Implementation.addArgument(arg);

arg = getTf1ArgFromString(hTable, 'u2', ['double' '*']);
op_entry.Implementation.addArgument(arg);

arg = getTf1ArgFromString(hTable, 'y1', ['double' '*']);
arg.IOType = 'RTW_IO_OUTPUT';
op_entry.Implementation.addArgument(arg);
```

- 7 Add the entry to a code replacement table with a call to the `addEntry` function.

```
addEntry(hTable, op_entry);
```

- 8 Create the entry for the second operator mapping.

```
% Create table entry for matrix_sum_3x3_double
op_entry = RTW.Tf1COperationEntry;
setTf1COperationEntryParameters(op_entry, ...
    'Key', 'RTW_OP_ADD', ...
    'Priority', 30, ...
    'SaturationMode', 'RTW_WRAP_ON_OVERFLOW', ...
    'ImplementationName', 'matrix_sum_3x3_double', ...
```

```

    'ImplementationHeaderFile', 'MatrixMath.h', ...
    'ImplementationSourceFile', 'MatrixMath.c', ...
    'ImplementationHeaderPath', LibPath, ...
    'ImplementationSourcePath', LibPath, ...
    'AdditionalIncludePaths', {LibPath}, ...
    'GenCallback', 'RTW.copyFileToBuildDir', ...
    'SideEffects', true);

% Specify operands and result
createAndAddConceptualArg(op_entry, 'RTW.Tf1ArgMatrix', ...
    'Name', 'y1', ...
    'IOType', 'RTW_IO_OUTPUT', ...
    'BaseType', 'double', ...
    'DimRange', [3 3]);
createAndAddConceptualArg(op_entry, 'RTW.Tf1ArgMatrix',...
    'Name', 'u1', ...
    'BaseType', 'double', ...
    'DimRange', [3 3]);
createAndAddConceptualArg(op_entry, 'RTW.Tf1ArgMatrix',...
    'Name', 'u2', ...
    'BaseType', 'double', ...
    'DimRange', [3 3]);

% Specify replacement function signature
arg = getTf1ArgFromString(hTable, 'y2', 'void');
arg.IOType = 'RTW_IO_OUTPUT';
op_entry.Implementation.setReturn(arg);
arg = getTf1ArgFromString(hTable, 'u1', ['double' '*']);
op_entry.Implementation.addArgument(arg);
arg = getTf1ArgFromString(hTable, 'u2', ['double' '*']);
op_entry.Implementation.addArgument(arg);
arg = getTf1ArgFromString(hTable, 'y1', ['double' '*']);
arg.IOType = 'RTW_IO_OUTPUT';
op_entry.Implementation.addArgument(arg);

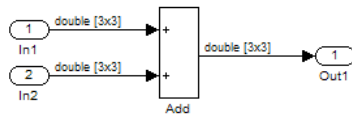
addEntry(hTable, op_entry);

```

- 9 Save the table definition file. Use the name of the table definition function to name the file.

To test this example:

- 1 Register the code replacement mapping.
- 2 Create a model that includes an Add block.



- 3 Configure the model with the following settings:
  - On the **Solver** pane, select a fixed-step, discrete solver with a fixed-step size such as 0.1.
  - On the **Code Generation** pane, select an ERT-based system target file.
  - On the **Code Generation > Interface** pane, select the code replacement library that contains your addition operation entry.
- 4 In the Model Explorer, configure the **Signal Attributes** for the In1 and In2 source blocks. For each source block, set **Port dimensions** to [3, 3], and set **Data type** to **double**. Apply the changes. Save the model.
- 5 Generate code and a code generation report.
- 6 Review the code replacements. The code generator replaces the + operator with `matrix_sum_3x3_double` in the generated code.
- 7 Reconfigure **Port dimensions** for In1 and In2 to [2 2], regenerate code. Observe that code containing the + operator is replaced with `matrix_sum_2x2_double`.

## Related Examples

- “Define Code Replacement Mappings” on page 24-42
- “Register Code Replacement Mappings” on page 24-68
- “Verify Code Replacements” on page 24-78
- “Matrix Multiplication Operation to MathWorks BLAS Code Replacement” on page 24-180
- “Matrix Multiplication Operation to ANSI/ISO C BLAS Code Replacement” on page 24-188
- “Data Alignment for Code Replacement” on page 24-136
- “Remap Operator Output to Function Input” on page 24-195
- “Customize Code Match and Replacement for Scalar Operations” on page 24-238
- “Develop a Code Replacement Library” on page 24-26



- “Quick Start Library Development” on page 24-27
- “Optimize Generated Code By Developing and Using Code Replacement Libraries - Simulink®”

## **More About**

- “What Is Code Replacement?” on page 20-2
- “What Is Code Replacement Customization?” on page 24-3
- “Code You Can Replace From Simulink Models” on page 20-4
- “Code Replacement Match and Replacement Process” on page 24-22
- “Code Replacement Libraries” on page 20-23
- “Code Replacement Terminology” on page 20-25

## Matrix Multiplication Operation to MathWorks BLAS Code Replacement

This example shows how to define code replacement mappings that replace nonscalar multiplication operations with Basic Linear Algebra Subroutine (BLAS) multiplication functions `xgemm` and `xgemv`. The example defines code replacement entries that map floating-point matrix/matrix and matrix/vector multiplication operations to MathWorks BLAS library multiplication functions `dgemm` and `dgemv`. The example defines the function mappings programmatically. Alternatively, you can use the Code Replacement Tool to define the same mappings.

BLAS libraries support matrix/matrix multiplication in the form of

$C = a(\text{op}(A) * \text{op}(B)) + bC$ . `op(X)` means X, transposition of X, or Hermitian transposition of X. However, code replacement libraries support only the limited case of  $C = \text{op}(A) * \text{op}(B)$  ( $a = 1.0$ ,  $b = 0.0$ ). Correspondingly, although BLAS libraries support matrix/vector multiplication in the form of  $y = a(\text{op}(A) * x) + by$ , code replacement libraries support only the limited case of  $y = \text{op}(A) * x$  ( $a = 1.0$ ,  $b = 0.0$ ).

- 1 Create a table definition file that contains a function definition. For example:

```
function hTable = crl_table_tmwblas_mmult_double
```

- 2 Within the function body, create the table by calling the function `RTW.Tf1Table`.

```
hTable = RTW.Tf1Table;
```

- 3 Define the path for the BLAS function library. If your replacement functions are on the MATLAB search path or are in your working folder, you can skip this step.

```
% Define library path for Windows or UNIX
arch = computer('arch');
if ~ispc
    LibPath = fullfile('$MATLAB_ROOT', 'bin', arch);
else
    % Use Stateflow to get the compiler info
    compilerInfo = sf('Private','compilerman','get_compiler_info');
    compilerName = compilerInfo.compilerName;
    if strcmp(compilerName, 'msvc90') || ...
        strcmp(compilerName, 'msvc80') || ...
        strcmp(compilerName, 'msvc71') || ...
        strcmp(compilerName, 'msvc60'), ...
        compilerName = 'microsoft';
    end
    LibPath = fullfile('$MATLAB_ROOT', 'extern', 'lib', arch, compilerName);
end
```

- 4 Create an entry for the first mapping with a call to the `RTW.Tf1BlasEntryGenerator` function.

```
% Create table entry for dgemm32
op_entry = RTW.Tf1BlasEntryGenerator;
```

- 5 Set operator entry parameters with a call to the `setTf1CFunctionEntryParameters` function. The function call sets matrix multiplication operator entry properties. The code generator ignores saturation and rounding modes for floating-point nonscalar addition and subtraction. For code replacement entries for nonscalar addition and subtraction operations that do not involve fixed-point data, in the call to `setTf1CFunctionEntryParameters`, specify `'RTW_SATURATE_UNSPECIFIED'` for the `SaturationMode` property and `{'RTW_ROUND_UNSPECIFIED'}` for `RoundingModes`.

```
if ispc
    libExt = 'lib';
elseif ismac
    libExt = 'dylib';
else
    libExt = 'so';
end
setTf1COperationEntryParameters(op_entry, ...
    'Key', 'RTW_OP_MUL', ...
    'Priority', 100, ...
    'ImplementationName', 'dgemm32', ...
    'ImplementationHeaderFile', 'blascompat32_cr1.h', ...
    'ImplementationHeaderPath', fullfile('${MATLAB_ROOT}','extern','include'), ...
    'AdditionalLinkObjs', {'libmwblascompat32.' libExt}, ...
    'AdditionalLinkObjsPaths', {LibPath}, ...
    'SideEffects', true);
```

- 6 Create conceptual arguments `y1`, `u1`, and `u2`. There are multiple ways to set up the conceptual arguments. This example uses calls to the `createAndAddConceptualArg` function to create and add an argument with one function call. To specify a matrix argument in the function call, use the argument class `RTW.Tf1ArgMatrix` and specify the base type and the dimensions for which the argument is valid. This type of table entry supports a range of dimensions specified in the format `[Dim1Min Dim2Min ... DimNMin; Dim1Max Dim2Max ... DimNMax]`. For example, `[2 2; inf inf]` means a two-dimensional matrix of size 2x2 or larger. The conceptual output argument for the `dgemm32` entry for matrix/matrix multiplication replacement specifies dimensions `[2 2; inf inf]`, while the conceptual output argument for the `dgemv32` entry for matrix/vector multiplication replacement specifies dimensions `[2 1; inf 1]`.

```
% Specify operands and result
createAndAddConceptualArg(op_entry, 'RTW.Tf1ArgMatrix', ...
    'Name', 'y1', ...
```

```

        'IOType',      'RTW_IO_OUTPUT', ...
        'BaseType',   'double', ...
        'DimRange',   [2 2; inf inf]);
createAndAddConceptualArg(op_entry, 'RTW.Tf1ArgMatrix', ...
        'Name',       'u1', ...
        'BaseType',   'double', ...
        'DimRange',   [2 2; inf inf]);
createAndAddConceptualArg(op_entry, 'RTW.Tf1ArgMatrix', ...
        'Name',       'u2', ...
        'BaseType',   'double', ...
        'DimRange',   [1 1; inf inf]);

```

- 7 Create the implementation arguments. There are multiple ways to set up the implementation arguments. This example uses calls to the `getTf1ArgFromString` and `RTW.Tf1ArgCharConstant` functions to create the arguments. The example code configures special implementation arguments that are required for `dgemm` and `dgemv` function replacements. The convenience methods `setReturn` and `addArgument` specify whether an argument is a return value or argument and adds the argument to the entry's array of implementation arguments.

```

% Using RTW.Tf1BlasEntryGenerator for xgemm requires the following
% implementation signature:
%
% void f(char* TRANSA, char* TRANSB, int* M, int* N, int* K,
%        type* ALPHA, type* u1, int* LDA, type* u2, int* LDB,
%        type* BETA, type* y, int* LDC)
%
% When a match occurs, the code generator computes the
% values for M, N, K, LDA, LDB, and LDC and inserts them into the
% generated code. TRANSA and TRANSB are set to 'N'.

% Specify replacement function signature

arg = getTf1ArgFromString(hTable, 'y2', 'void');
arg.IOType = 'RTW_IO_OUTPUT';
op_entry.Implementation.setReturn(arg);

arg = RTW.Tf1ArgCharConstant('TRANSA');
% Possible values for PassByType property are
% RTW_PASSBY_AUTO, RTW_PASSBY_POINTER,
% RTW_PASSBY_VOID_POINTER, RTW_PASSBY_BASE_POINTER
arg.PassByType = 'RTW_PASSBY_POINTER';
op_entry.Implementation.addArgument(arg);

arg = RTW.Tf1ArgCharConstant('TRANSB');
arg.PassByType = 'RTW_PASSBY_POINTER';
op_entry.Implementation.addArgument(arg);

arg = getTf1ArgFromString(hTable, 'M', 'integer', 0);
arg.PassByType = 'RTW_PASSBY_POINTER';
arg.Type.ReadOnly = true;
op_entry.Implementation.addArgument(arg);

```

```

arg = getTf1ArgFromString(hTable, 'N', 'integer', 0);
arg.PassByType = 'RTW_PASSBY_POINTER';
arg.Type.ReadOnly = true;
op_entry.Implementation.addArgument(arg);

arg = getTf1ArgFromString(hTable, 'K', 'integer', 0);
arg.PassByType = 'RTW_PASSBY_POINTER';
arg.Type.ReadOnly = true;
op_entry.Implementation.addArgument(arg);

arg = getTf1ArgFromString(hTable, 'ALPHA', 'double', 0);
arg.PassByType = 'RTW_PASSBY_POINTER';
arg.Type.ReadOnly = true;
op_entry.Implementation.addArgument(arg);

arg = getTf1ArgFromString(hTable, 'u1', ['double' '*']);
arg.PassByType = 'RTW_PASSBY_POINTER';
arg.Type.ReadOnly = true;
op_entry.Implementation.addArgument(arg);

arg = getTf1ArgFromString(hTable, 'LDA', 'integer', 0);
arg.PassByType = 'RTW_PASSBY_POINTER';
arg.Type.ReadOnly = true;
op_entry.Implementation.addArgument(arg);

arg = getTf1ArgFromString(hTable, 'u2', ['double' '*']);
arg.PassByType = 'RTW_PASSBY_POINTER';
arg.Type.ReadOnly = true;
op_entry.Implementation.addArgument(arg);

arg = getTf1ArgFromString(hTable, 'LDB', 'integer', 0);
arg.PassByType = 'RTW_PASSBY_POINTER';
arg.Type.ReadOnly = true;
op_entry.Implementation.addArgument(arg);

arg = getTf1ArgFromString(hTable, 'BETA', 'double', 0);
arg.PassByType = 'RTW_PASSBY_POINTER';
arg.Type.ReadOnly = true;
op_entry.Implementation.addArgument(arg);

arg = getTf1ArgFromString(hTable, 'y1', ['double' '*']);
arg.IOType = 'RTW_IO_OUTPUT';
arg.PassByType = 'RTW_PASSBY_POINTER';
op_entry.Implementation.addArgument(arg);

arg = getTf1ArgFromString(hTable, 'LDC', 'integer', 0);
arg.PassByType = 'RTW_PASSBY_POINTER';
arg.Type.ReadOnly = true;
op_entry.Implementation.addArgument(arg);

```

- 8 Add the entry to a code replacement table with a call to the `addEntry` function.

```
addEntry(hTable, op_entry);
```

- 9 Create the entry for the second mapping.

```

% Create table entry for dgemv32
op_entry = RTW.Tf1BlasEntryGenerator;
if ispc
    libExt = 'lib';
elseif ismac
    libExt = 'dylib';
else
    libExt = 'so';
end
setTf1COperationEntryParameters(op_entry, ...
    'Key', 'RTW_OP_MUL', ...
    'Priority', 100, ...
    'ImplementationName', 'dgemv32', ...
    'ImplementationHeaderFile', 'blascompat32_cr1.h', ...
    'ImplementationHeaderPath', fullfile('${MATLAB_ROOT}','extern','include'), ...
    'AdditionalLinkObjs', {'libmwbblascompat32.' libExt}, ...
    'AdditionalLinkObjsPaths', {LibPath},...
    'SideEffects', true);

% Specify operands and result
createAndAddConceptualArg(op_entry, 'RTW.Tf1ArgMatrix', ...
    'Name', 'y1', ...
    'IOType', 'RTW_IO_OUTPUT', ...
    'BaseType', 'double', ...
    'DimRange', [2 1; inf 1]);
createAndAddConceptualArg(op_entry, 'RTW.Tf1ArgMatrix', ...
    'Name', 'u1', ...
    'BaseType', 'double', ...
    'DimRange', [2 2; inf inf]);
createAndAddConceptualArg(op_entry, 'RTW.Tf1ArgMatrix',...
    'Name', 'u2', ...
    'BaseType', 'double', ...
    'DimRange', [1 1; inf 1]);

% Using RTW.Tf1BlasEntryGenerator for xgemv requires the following
% implementation signature:
%
% void f(char* TRANS, int* M, int* N,
%         type* ALPHA, type* u1, int* LDA, type* u2, int* INCX,
%         type* BETA, type* y, int* INCY)
%
% Upon a match, the CRL entry will compute the
% values for M, N, LDA, INCX, and INCY, and insert them into the
% generated code. TRANS will be set to 'N'.

% Specify replacement function signature

arg = getTf1ArgFromString(hTable, 'y2', 'void');
arg.IOType = 'RTW_IO_OUTPUT';
op_entry.Implementation.setReturn(arg);

arg = RTW.Tf1ArgCharConstant('TRANS');
arg.PassByType = 'RTW_PASSBY_POINTER';
op_entry.Implementation.addArgument(arg);

```

```

arg = getTf1ArgFromString(hTable, 'M', 'integer', 0);
arg.PassByType = 'RTW_PASSBY_POINTER';
arg.Type.ReadOnly = true;
op_entry.Implementation.addArgument(arg);

arg = getTf1ArgFromString(hTable, 'N', 'integer', 0);
arg.PassByType = 'RTW_PASSBY_POINTER';
arg.Type.ReadOnly = true;
op_entry.Implementation.addArgument(arg);

arg = getTf1ArgFromString(hTable, 'ALPHA', 'double', 0);
arg.PassByType = 'RTW_PASSBY_POINTER';
arg.Type.ReadOnly = true;
op_entry.Implementation.addArgument(arg);

arg = getTf1ArgFromString(hTable, 'u1', ['double' '*']);
arg.PassByType = 'RTW_PASSBY_POINTER';
arg.Type.ReadOnly = true;
op_entry.Implementation.addArgument(arg);

arg = getTf1ArgFromString(hTable, 'LDA', 'integer', 0);
arg.PassByType = 'RTW_PASSBY_POINTER';
arg.Type.ReadOnly = true;
op_entry.Implementation.addArgument(arg);

arg = getTf1ArgFromString(hTable, 'u2', ['double' '*']);
arg.PassByType = 'RTW_PASSBY_POINTER';
arg.Type.ReadOnly = true;
op_entry.Implementation.addArgument(arg);

arg = getTf1ArgFromString(hTable, 'INCX', 'integer', 0);
arg.PassByType = 'RTW_PASSBY_POINTER';
arg.Type.ReadOnly = true;
op_entry.Implementation.addArgument(arg);

arg = getTf1ArgFromString(hTable, 'BETA', 'double', 0);
arg.PassByType = 'RTW_PASSBY_POINTER';
arg.Type.ReadOnly = true;
op_entry.Implementation.addArgument(arg);

arg = getTf1ArgFromString(hTable, 'y1', ['double' '*']);
arg.IOType = 'RTW_IO_OUTPUT';
arg.PassByType = 'RTW_PASSBY_POINTER';
op_entry.Implementation.addArgument(arg);

arg = getTf1ArgFromString(hTable, 'INCY', 'integer', 0);
arg.PassByType = 'RTW_PASSBY_POINTER';
arg.Type.ReadOnly = true;
op_entry.Implementation.addArgument(arg);

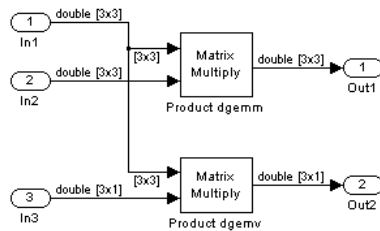
addEntry(hTable, op_entry);

```

- 10 Save the table definition file. Use the name of the table definition function to name the file.

To test this example:

- 1 Register the code replacement mapping.
- 2 Create a model that includes two **Product** blocks.



- 3 For each **Product** block, set the block parameter **Multiplication** to the value **Matrix(\*)**.
- 4 Configure the model with the following settings:
  - On the **Solver** pane, select a fixed-step, discrete solver with a fixed-step size such as 0.1.
  - On the **Code Generation** pane, select an ERT-based system target file.
  - On the **Code Generation > Interface** pane, select the code replacement library that contains your addition operation entry.
- 5 In the Model Explorer, configure the **Signal Attributes** for the In1, In2, and In3 source blocks. For In1 and In2, set **Port dimensions** to [3 3] and set the **Data type** to double. For In3, set **Port dimensions** to [3 1] and set the **Data type** to double.
- 6 Generate code and a code generation report.
- 7 Review the code replacements.

## Related Examples

- “Define Code Replacement Mappings” on page 24-42
- “Register Code Replacement Mappings” on page 24-68
- “Verify Code Replacements” on page 24-78
- “Small Matrix Operation to Processor Code Replacement” on page 24-175
- “Matrix Multiplication Operation to ANSI/ISO C BLAS Code Replacement” on page 24-188



- “Data Alignment for Code Replacement” on page 24-136
- “Remap Operator Output to Function Input” on page 24-195
- “Customize Code Match and Replacement for Scalar Operations” on page 24-238
- “Develop a Code Replacement Library” on page 24-26
- “Quick Start Library Development” on page 24-27
- “Optimize Generated Code By Developing and Using Code Replacement Libraries - Simulink®”

## **More About**

- “What Is Code Replacement?” on page 20-2
- “What Is Code Replacement Customization?” on page 24-3
- “Code You Can Replace From Simulink Models” on page 20-4
- “Code Replacement Match and Replacement Process” on page 24-22
- “Code Replacement Libraries” on page 20-23
- “Code Replacement Terminology” on page 20-25

## Matrix Multiplication Operation to ANSI/ISO C BLAS Code Replacement

This example shows how to define code replacement mappings that replace nonscalar multiplication operations with ANSI/ISO<sup>®</sup> C BLAS multiplication functions `xgemm` and `xgemv`. The example defines code replacement entries that map floating-point matrix/matrix and matrix/vector multiplication operations to ANSI/ISO C BLAS library multiplication functions `dgemm` and `dgemv`. The example defines the function mappings programmatically. Alternatively, you can use the Code Replacement Tool to define the same mappings.

BLAS libraries support matrix/matrix multiplication in the form of  $C = a(\text{op}(A) * \text{op}(B)) + bC$ . `op(X)` means `X`, transposition of `X`, or Hermitian transposition of `X`. However, code replacement libraries support only the limited case of  $C = \text{op}(A) * \text{op}(B)$  ( $a = 1.0, b = 0.0$ ). Correspondingly, although BLAS libraries support matrix/vector multiplication in the form of  $y = a(\text{op}(A) * x) + by$ , code replacement libraries support only the limited case of  $y = \text{op}(A) * x$  ( $a = 1.0, b = 0.0$ ).

- 1 Create a table definition file that contains a function definition. For example:

```
function hTable = crl_table_cblas_mmult_double
```

- 2 Within the function body, create the table by calling the function `RTW.Tf1Table`.

```
hTable = RTW.Tf1Table;
```

- 3 Define the path for the CBLAS function library. For example:

```
LibPath = fullfile(matlabroot, 'toolbox', 'rtw', 'rtwdemos', 'crl_demo');
```

- 4 Create an entry for the first mapping with a call to the `RTW.Tf1BlasEntryGenerator` function.

```
% Create table entry for cblas_dgemm
op_entry = RTW.Tf1CblasEntryGenerator;
```

- 5 Set operator entry parameters with a call to the `setTf1COperationEntryParameters` function. The function call sets matrix multiplication operator entry properties. The code generator ignores saturation and rounding modes for floating-point nonscalar addition and subtraction.

```
setTf1COperationEntryParameters(op_entry, ...
    'Key', 'RTW_OP_MUL', ...
```

```

'Priority',          100, ...
'ImplementationName', 'cblas_dgemm', ...
'ImplementationHeaderFile', 'cblas.h', ...
'ImplementationHeaderPath', LibPath, ...
'AdditionalIncludePaths', {LibPath}, ...
'GenCallback',      'RTW.copyFileToBuildDir', ...
'SideEffects',      true);

```

- 6 Create conceptual arguments `y1`, `u1`, and `u2`. There are multiple ways to set up the conceptual arguments. This example uses calls to the `createAndAddConceptualArg` function to create and add an argument with one function call. To specify a matrix argument in the function call, use the argument class `RTW.Tf1ArgMatrix` and specify the base type and the dimensions for which the argument is valid. This type of table entry supports a range of dimensions specified in the format `[Dim1Min Dim2Min ... DimNMin; Dim1Max Dim2Max ... DimNMax]`. For example, `[2 2; inf inf]` means a two-dimensional matrix of size 2x2 or larger. The conceptual output argument for the `dgemm32` entry for matrix/matrix multiplication replacement specifies dimensions `[2 2; inf inf]`. The conceptual output argument for the `dgemv32` entry for matrix/vector multiplication replacement specifies dimensions `[2 1; inf 1]`.

```

% Specify operands and result
createAndAddConceptualArg(op_entry, 'RTW.Tf1ArgMatrix', ...
    'Name', 'y1', ...
    'IOType', 'RTW_IO_OUTPUT', ...
    'BaseType', 'double', ...
    'DimRange', [2 2; inf inf]);
createAndAddConceptualArg(op_entry, 'RTW.Tf1ArgMatrix', ...
    'Name', 'u1', ...
    'BaseType', 'double', ...
    'DimRange', [2 2; inf inf]);
createAndAddConceptualArg(op_entry, 'RTW.Tf1ArgMatrix', ...
    'Name', 'u2', ...
    'BaseType', 'double', ...
    'DimRange', [1 1; inf inf]);

```

- 7 Create the implementation arguments. There are multiple ways to set up the implementation arguments. This example uses calls to the `getTf1ArgFromString` function to create the arguments. The example code configures special implementation arguments that are required for `dgemm` and `dgemv` function replacements. The convenience methods `setReturn` and `addArgument` specify whether an argument is a return value or argument and adds the argument to the entry's array of implementation arguments.

```

% Using RTW.Tf1CBlasEntryGenerator for xgemm requires the following
% implementation signature:
%
% void f(enum ORDER, enum TRANSA, enum TRANSB, int M, int N, int K,
%        type ALPHA, type* u1, int LDA, type* u2, int LDB,

```

```
%         type BETA, type* y, int LDC)
%
% Since CRLs do not have the ability to specify enums, you must
% use integer. (This will cause problems with C++ code generation,
% so for C++, use a wrapper function to cast each int to the
% corresponding enumeration type.)
%
% When a match occurs, the code generator computes the
% values for M, N, K, LDA, LDB, and LDC and insert them into the
% generated code.

% Specify replacement function signature

arg = getTf1ArgFromString(hTable, 'y2', 'void');
arg.IOType = 'RTW_IO_OUTPUT';
op_entry.Implementation.setReturn(arg);

arg = getTf1ArgFromString(hTable, 'ORDER', 'integer', 102);
%arg.Type.ReadOnly=true;
op_entry.Implementation.addArgument(arg);

arg = getTf1ArgFromString(hTable, 'TRANSA', 'integer', 111);
%arg.Type.ReadOnly=true;
op_entry.Implementation.addArgument(arg);

arg = getTf1ArgFromString(hTable, 'TRANSB', 'integer', 111);
%arg.Type.ReadOnly=true;
op_entry.Implementation.addArgument(arg);

arg = getTf1ArgFromString(hTable, 'M', 'integer', 0);
op_entry.Implementation.addArgument(arg);

arg = getTf1ArgFromString(hTable, 'N', 'integer', 0);
op_entry.Implementation.addArgument(arg);

arg = getTf1ArgFromString(hTable, 'K', 'integer', 0);
op_entry.Implementation.addArgument(arg);

arg = getTf1ArgFromString(hTable, 'ALPHA', 'double', 1);
op_entry.Implementation.addArgument(arg);

arg = getTf1ArgFromString(hTable, 'u1', ['double' '*']);
op_entry.Implementation.addArgument(arg);

arg = getTf1ArgFromString(hTable, 'LDA', 'integer', 0);
op_entry.Implementation.addArgument(arg);

arg = getTf1ArgFromString(hTable, 'u2', ['double' '*']);
op_entry.Implementation.addArgument(arg);

arg = getTf1ArgFromString(hTable, 'LDB', 'integer', 0);
op_entry.Implementation.addArgument(arg);

arg = getTf1ArgFromString(hTable, 'BETA', 'double', 0);
op_entry.Implementation.addArgument(arg);
```

```
arg = getTf1ArgFromString(hTable, 'y1', ['double' '*']);
arg.IOType = 'RTW_IO_OUTPUT';
op_entry.Implementation.addArgument(arg);
```

```
arg = getTf1ArgFromString(hTable, 'LDC', 'integer', 0);
op_entry.Implementation.addArgument(arg);
```

- 8 Add the entry to a code replacement table with a call to the addEntryfunction.

```
addEntry(hTable, op_entry);
```

- 9 Create the entry for the second mapping.

```
% Create table entry for cblas_dgemv
op_entry = RTW.Tf1CBlasEntryGenerator;
setTf1COperationEntryParameters(op_entry, ...
    'Key', 'RTW_OP_MUL', ...
    'Priority', 100, ...
    'ImplementationName', 'cblas_dgemv', ...
    'ImplementationHeaderFile', 'cblas.h', ...
    'ImplementationHeaderPath', LibPath, ...
    'AdditionalIncludePaths', {LibPath}, ...
    'GenCallback', 'RTW.copyFileToBuildDir', ...
    'SideEffects', true);

% Specify operands and result
createAndAddConceptualArg(op_entry, 'RTW.Tf1ArgMatrix', ...
    'Name', 'y1', ...
    'IOType', 'RTW_IO_OUTPUT', ...
    'BaseType', 'double', ...
    'DimRange', [2 1; inf 1]);
createAndAddConceptualArg(op_entry, 'RTW.Tf1ArgMatrix', ...
    'Name', 'u1', ...
    'BaseType', 'double', ...
    'DimRange', [2 2; inf inf]);
createAndAddConceptualArg(op_entry, 'RTW.Tf1ArgMatrix', ...
    'Name', 'u2', ...
    'BaseType', 'double', ...
    'DimRange', [1 1; inf 1]);

% Using RTW.Tf1CBlasEntryGenerator for xgemv requires the following
% implementation signature:
%
% void f(enum ORDER, enum TRANSA, int M, int N,
%     type ALPHA, type* u1, int LDA, type* u2, int INCX,
%     type BETA, type* y, int INCY)
%
% Since CRLs do not have the ability to specify enums, you must
% use integer. (This will cause problems with C++ code generation,
% so for C++, use a wrapper function to cast each int to the
% corresponding enumeration type.)
%
% Upon a match, the CRL entry will compute the
% values for M, N, LDA, INCX, and INCY and insert them into the
% generated code.
```

```
% Specify replacement function signature

arg = getTf1ArgFromString(hTable, 'y2', 'void');
arg.IOType = 'RTW_IO_OUTPUT';
op_entry.Implementation.setReturn(arg);

arg = getTf1ArgFromString(hTable, 'ORDER', 'integer', 102);
%arg.Type.ReadOnly=true;
op_entry.Implementation.addArgument(arg);

arg = getTf1ArgFromString(hTable, 'TRANSA', 'integer', 111);
%arg.Type.ReadOnly=true;
op_entry.Implementation.addArgument(arg);

arg = getTf1ArgFromString(hTable, 'M', 'integer', 0);
op_entry.Implementation.addArgument(arg);

arg = getTf1ArgFromString(hTable, 'N', 'integer', 0);
op_entry.Implementation.addArgument(arg);

arg = getTf1ArgFromString(hTable, 'ALPHA', 'double', 1);
op_entry.Implementation.addArgument(arg);

arg = getTf1ArgFromString(hTable, 'u1', ['double' '*']);
op_entry.Implementation.addArgument(arg);

arg = getTf1ArgFromString(hTable, 'LDA', 'integer', 0);
op_entry.Implementation.addArgument(arg);

arg = getTf1ArgFromString(hTable, 'u2', ['double' '*']);
op_entry.Implementation.addArgument(arg);

arg = getTf1ArgFromString(hTable, 'INCX', 'integer', 0);
op_entry.Implementation.addArgument(arg);

arg = getTf1ArgFromString(hTable, 'BETA', 'double', 0);
op_entry.Implementation.addArgument(arg);

arg = getTf1ArgFromString(hTable, 'y1', ['double' '*']);
arg.IOType = 'RTW_IO_OUTPUT';
op_entry.Implementation.addArgument(arg);

arg = getTf1ArgFromString(hTable, 'INCY', 'integer', 0);
op_entry.Implementation.addArgument(arg);

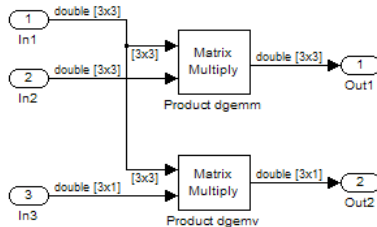
addEntry(hTable, op_entry);
```

- 10 Save the table definition file. Use the name of the table definition function to name the file.

To test this example:

- 1 Register the code replacement mapping.

- 2 Create a model that includes two Product blocks.



- 3 Configure the model with the following settings:
  - On the **Solver** pane, select a fixed-step, discrete solver with a fixed-step size such as 0.1.
  - On the **Code Generation** pane, select an ERT-based system target file.
  - On the **Code Generation > Interface** pane, select the code replacement library that contains your addition operation entry.
- 4 For each **Product** block, set the block parameter **Multiplication** to the value **Matrix(\*)**.
- 5 In the Model Explorer, configure the **Signal Attributes** for the In1, In2, and In3 source blocks. For In1 and In2, set **Port dimensions** to [3 3]. Set the **Data type** to double. For In3, set **Port dimensions** to [3 1]. Set the **Data type** to double.
- 6 Generate code and a code generation report.
- 7 Review the code replacements.

## Related Examples

- “Define Code Replacement Mappings” on page 24-42
- “Register Code Replacement Mappings” on page 24-68
- “Verify Code Replacements” on page 24-78
- “Small Matrix Operation to Processor Code Replacement” on page 24-175
- “Matrix Multiplication Operation to MathWorks BLAS Code Replacement” on page 24-180
- “Data Alignment for Code Replacement” on page 24-136
- “Remap Operator Output to Function Input” on page 24-195
- “Customize Code Match and Replacement for Scalar Operations” on page 24-238

- “Develop a Code Replacement Library” on page 24-26
- “Quick Start Library Development” on page 24-27
- “Optimize Generated Code By Developing and Using Code Replacement Libraries - Simulink®”

### **More About**

- “What Is Code Replacement?” on page 20-2
- “What Is Code Replacement Customization?” on page 24-3
- “Code You Can Replace From Simulink Models” on page 20-4
- “Code Replacement Match and Replacement Process” on page 24-22
- “Code Replacement Libraries” on page 20-23
- “Code Replacement Terminology” on page 20-25



## Remap Operator Output to Function Input

If your generated code must meet a specific coding pattern or you want more flexibility, for example, to further improve performance, you can remap operator outputs to input positions in an implementation function argument list.

---

**Note:** Remapping outputs to implementation function inputs is supported only for operator replacement.

---

For example, for a sum operation, the code generator produces code similar to:

```
add8_Y.Out1 = u8_add_u8_u8(add8_U.In1, add8_U.In2);
```

If you remap the output to the first input, the code generator produces code similar to:

```
u8_add_u8_u8(&add8_Y.Out1;, add8_U.In1, add8_U.In2);
```

The following table definition file for a sum operation remaps operator output `y1` as the first function input argument.

- 1 Create a table definition file that contains a function definition. For example:
 

```
function hTable = crl_table_add_uint8
```
- 2 Within the function body, create the table by calling the function `RTW.Tf1Table`.
 

```
hTable = RTW.Tf1Table;
```
- 3 Create an entry for the operator mapping with a call to the `RTW.Tf1COperationEntry` function.
 

```
% Create operation entry
op_entry = RTW.Tf1COperationEntry;
```
- 4 Set operator entry parameters with a call to the `setTf1COperationEntryParameters` function. In the function call, set the property `SideEffects` to `true`.
 

```
setTf1COperationEntryParameters(op_entry, ...
    'Key', 'RTW_OP_ADD', ...
    'Priority', 90, ...
    'ImplementationName', 'u8_add_u8_u8', ...
    'ImplementationHeaderFile', 'u8_add_u8_u8.h', ...
    'ImplementationSourceFile', 'u8_add_u8_u8.c', ...
    'SideEffects', true );
```

- 5 Create conceptual arguments `y1`, `u1`, and `u2`. There are multiple ways to set up the conceptual arguments. This example uses calls to the `getTf1ArgFromString` and `addConceptualArg` functions to create and add the arguments.

```
arg = getTf1ArgFromString(hTable, 'y1', 'uint8');
arg.IOType = 'RTW_IO_OUTPUT';
addConceptualArg(op_entry, arg);
```

```
arg = getTf1ArgFromString(hTable, 'u1', 'uint8');
addConceptualArg(op_entry, arg );
```

```
arg = getTf1ArgFromString(hTable, 'u2', 'uint8');
addConceptualArg(op_entry, arg );
```

- 6 Create the implementation arguments. There are multiple ways to set up the implementation arguments. This example uses calls to the `getTf1ArgFromString` function to create the arguments. When defining the implementation function return argument, create a new `void` output argument, for example, `y2`. When defining the implementation function argument for the conceptual output argument (`y1`), set the operator output argument as an additional input argument. Mark its `IOType` as output. Make its type a pointer type. The convenience methods `setReturn` and `addArgument` specify whether an argument is a return value or argument and adds the argument to the entry's array of implementation arguments.

```
% Create new void output y2
arg = getTf1ArgFromString(hTable, 'y2', 'void');
arg.IOType = 'RTW_IO_OUTPUT';
op_entry.Implementation.setReturn(arg);
```

```
% Set y1 as first input arg, mark IOType as output, and use pointer type
arg=getTf1ArgFromString(hTable, 'y1', 'uint8*');
arg.IOType = 'RTW_IO_OUTPUT';
op_entry.Implementation.addArgument(arg);
```

```
arg=getTf1ArgFromString(hTable, 'u1', 'uint8');
op_entry.Implementation.addArgument(arg);
```

```
arg=getTf1ArgFromString(hTable, 'u2', 'uint8');
op_entry.Implementation.addArgument(arg);
```

- 7 Add the entry to a code replacement table with a call to the `addEntry` function.

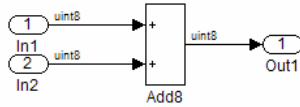
```
addEntry(hTable, op_entry);
```

- 8 Save the table definition file. Use the name of the table definition function to name the file.

To test this example:

- 1 Register the code replacement mapping.

- 2 Create a model that includes an Add block.



- 3 Configure the model with the following settings:
  - On the **Solver** pane, select a fixed-step solver.
  - On the **Code Generation** pane, select an ERT-based system target file.
  - On the **Code Generation > Interface** pane, select the code replacement library that contains your addition operation entry.
  - On the **All Parameters** tab, set the **Optimize global data access** parameter to **Use global to hold temporary results** to reduce data copies in the generated code.
- 4 Generate code and a code generation report.
- 5 Review the code replacements.

## Related Examples

- “Define Code Replacement Mappings” on page 24-42
- “Register Code Replacement Mappings” on page 24-68
- “Verify Code Replacements” on page 24-78
- “Develop a Code Replacement Library” on page 24-26
- “Quick Start Library Development” on page 24-27
- “Optimize Generated Code By Developing and Using Code Replacement Libraries - Simulink®”

## More About

- “What Is Code Replacement?” on page 20-2
- “What Is Code Replacement Customization?” on page 24-3
- “Code You Can Replace From Simulink Models” on page 20-4
- “Code Replacement Libraries” on page 20-23
- “Code Replacement Terminology” on page 20-25

## Fixed-Point Operator Code Replacement

If you have a Fixed-Point Designer license, you can define fixed-point operator code replacement entries to match:

- A binary-point-only scaling combination on the operator inputs and output.
- A slope bias scaling combination on the operator inputs and output.
- Relative scaling or net slope between multiplication or division operator inputs and output. Use one of these methods to map a range of slope and bias values to a replacement function for multiplication or division.
- Equal slope and zero net bias across addition or subtraction operator inputs and output. Use this method to disregard specific slope and bias values and map relative slope and bias values to a replacement function for addition or subtraction.

In this section...
“Common Ways to Match Fixed-Point Operator Entries” on page 24-198
“Fixed-Point Numbers and Arithmetic” on page 24-202
“Addition” on page 24-202
“Subtraction” on page 24-203
“Multiplication” on page 24-203
“Division” on page 24-204
“Data Type Conversion (Cast)” on page 24-205
“Shift” on page 24-205

### Common Ways to Match Fixed-Point Operator Entries

The following table maps common ways to match fixed-point operator code replacement entries with the associated fixed-point parameters that you specify in a code replacement table definition file.

Match	Create entry	Minimally specify parameters
A specific binary-point-only scaling combination on the operator inputs and output.	RTW.Tf1COperationEntry	createAndAddConceptualArg function: <ul style="list-style-type: none"> <li>• CheckSlope: Specify the value true.</li> </ul>

Match	Create entry	Minimally specify parameters
		<ul style="list-style-type: none"> <li>• <b>CheckBias</b>: Specify the value <code>true</code>.</li> <li>• <b>DataTypeMode</b> (or <b>DataType/Scaling</b> equivalent): Specify fixed-point binary-point-only scaling.</li> <li>• <b>FractionLength</b>: Specify a fraction length (for example, 3).</li> </ul>
A specific slope bias scaling combination on the operator inputs and output.	RTW.Tf1COperationEntry	<p><code>createAndAddConceptualArg</code> function:</p> <ul style="list-style-type: none"> <li>• <b>CheckSlope</b>: Specify the value <code>true</code>.</li> <li>• <b>CheckBias</b>: Specify the value <code>true</code>.</li> <li>• <b>DataTypeMode</b> (or <b>DataType/Scaling</b> equivalent): Specify fixed-point [slope bias] scaling.</li> <li>• <b>Slope</b> (or <b>SlopeAdjustmentFactor/FixedExponent</b> equivalent): Specify a slope value (for example, 15).</li> <li>• <b>Bias</b>: Specify a bias value (for example, 2).</li> </ul>

Match	Create entry	Minimally specify parameters
<p>Net slope between operator inputs and output (multiplication and division).</p>	<p>RTW.Tf1COperationEntry-Generator_NetSlope</p>	<p>setTf1COperationEntryParameters function:</p> <ul style="list-style-type: none"> <li>• <b>NetSlopeAdjustmentFactor:</b> Specify the slope adjustment factor (F) part of the net slope, <math>F2^E</math> (for example, 1.0).</li> <li>• <b>NetFixedExponent:</b> Specify the fixed exponent (E) part of the net slope, <math>F2^E</math> (for example, -3.0).</li> </ul> <p>createAndAddConceptualArg function:</p> <ul style="list-style-type: none"> <li>• <b>CheckSlope:</b> Specify the value false.</li> <li>• <b>CheckBias:</b> Specify the value false.</li> <li>• <b>DataType:</b> Specify the value 'Fixed'.</li> </ul>

Match	Create entry	Minimally specify parameters
Relative scaling between operator inputs and output (multiplication and division).	RTW.Tf1COperationEntry-Generator	<p>setTf1COperationEntryParameters function:</p> <ul style="list-style-type: none"> <li>• <b>RelativeScalingFactorF:</b> Specify the slope adjustment factor (F) part of the relative scaling factor, <math>F2^E</math> (for example, 1.0).</li> <li>• <b>RelativeScalingFactorE:</b> Specify the fixed exponent (E) part of the relative scaling factor, <math>F2^E</math> (for example, -3.0).</li> </ul> <p>createAndAddConceptualArg function:</p> <ul style="list-style-type: none"> <li>• <b>CheckSlope:</b> Specify the value false.</li> <li>• <b>CheckBias:</b> Specify the value false.</li> <li>• <b>DataType:</b> Specify the value 'Fixed'.</li> </ul>
Equal slope and zero net bias across operator inputs and output (addition and subtraction).	RTW.Tf1COperationEntry-Generator	<p>setTf1COperationEntryParameters function:</p> <ul style="list-style-type: none"> <li>• <b>SlopesMustBeTheSame:</b> Specify the value true.</li> <li>• <b>MustHaveZeroNetBias:</b> Specify the value true.</li> </ul> <p>createAndAddConceptualArg function:</p> <ul style="list-style-type: none"> <li>• <b>CheckSlope:</b> Specify the value false.</li> <li>• <b>CheckBias:</b> Specify the value false.</li> </ul>

## Fixed-Point Numbers and Arithmetic

Fixed-point numbers use integers and integer arithmetic to represent real numbers and arithmetic with the following encoding scheme:

$$V = \tilde{V} = SQ + B$$

- $V$  is an arbitrarily precise real-world value.
- $\tilde{V}$  is the approximate real-world value that results from fixed-point representation.
- $Q$  is an integer that encodes  $\tilde{V}$ , referred to as the *quantized integer*.
- $S$  is a coefficient of  $Q$ , referred to as the *slope*.
- $B$  is an additive correction, referred to as the *bias*.

The general equation for an operation between fixed-point operands is:

$$(S_0Q_0 + B_0) = (S_1Q_1 + B_1) < op > (S_2Q_2 + B_2)$$

The objective of fixed-point operator replacement is to replace an operator that accepts and returns fixed-point or integer inputs and output with a function that accepts and returns built-in C numeric data types. The following sections provide additional programming information for each supported operator.

### Addition

The operation  $V_0 = V_1 + V_2$  implies that

$$Q_0 = \left( \frac{S_1}{S_0} \right) Q_1 + \left( \frac{S_2}{S_0} \right) Q_2 + \left( \frac{B_1 + B_2 - B_0}{S_0} \right)$$

If an addition replacement function is defined such that the scaling on the operands and sum are equal and the net bias



$$\left( \frac{B_1 + B_2 - B_0}{S_0} \right)$$

is zero (for example, a function `s8_add_s8_s8` that adds two signed 8-bit values and produces a signed 8-bit result), then the operator entry must set the operator entry parameters `SlopesMustBeTheSame` and `MustHaveZeroNetBias` to `true`. (For parameter descriptions, see the reference page for the function `setTf1COperationEntryParameters`.)

## Subtraction

The operation  $V_0 = V_1 - V_2$  implies that

$$Q_0 = \left( \frac{S_1}{S_0} \right) Q_1 - \left( \frac{S_2}{S_0} \right) Q_2 + \left( \frac{B_1 - B_2 - B_0}{S_0} \right)$$

If a subtraction replacement function is defined such that the scaling on the operands and difference are equal and the net bias

$$\left( \frac{B_1 - B_2 - B_0}{S_0} \right)$$

is zero (for example, a function `s8_sub_s8_s8` that subtracts two signed 8-bit values and produces a signed 8-bit result), then the operator entry must set the operator entry parameters `SlopesMustBeTheSame` and `MustHaveZeroNetBias` to `true`. (For parameter descriptions, see the reference page for the function `setTf1COperationEntryParameters`.)

## Multiplication

There are different ways to specify multiplication replacements. The most direct way is to specify an exact match of the input and output types. This is feasible if a model contains only a few (known) slope and bias combinations. Use the `Tf1COperationEntry` class

and specify the exact values of slope and bias on each argument. For scenarios where there are numerous slope/bias combinations, it is not feasible to specify each value with a different entry. Use a net slope entry or create a custom entry.

The operation  $V_0 = V_1 * V_2$  implies, for binary-point-only scaling, that

$$\begin{aligned}S_0 Q_0 &= (S_1 Q_1)(S_2 Q_2) \\ Q_0 &= \left( \frac{S_1 S_2}{S_0} \right) Q_1 Q_2 \\ Q_0 &= S_n Q_1 Q_2\end{aligned}$$

where  $S_n$  is the net slope.

It is common to replace all multiplication operations that have a net slope of 1.0 with a function that performs C-style multiplication. For example, to replace all signed 8-bit multiplications that have a net scaling of 1.0 with the `s8_mul_s8_u8` replacement function, the operator entry must define a net slope factor,  $F2^E$ . You specify the values for  $F$  and  $E$  using operator entry parameters `NetSlopeAdjustmentFactor` and `NetFixedExponent`. (For parameter descriptions, see the reference page for the function `setTf1CoperationEntryParameters`.) For the `s8_mul_s8_u8` function, set `NetSlopeAdjustmentFactor` to 1 and `NetFixedExponent` to 0.0.

---

**Note:** When an operator entry specifies `NetSlopeAdjustmentFactor` and `NetFixedExponent`, matching entries must have arguments with zero bias.

---

## Division

There are different ways to specify division replacements. The most direct way is to specify an exact match of the input and output types. This is feasible if a model contains only a few (known) slope and bias combinations. For this, use the `Tf1CoperationEntry` class and specify the exact values of slope and bias on each argument. For scenarios where there are numerous slope/bias combinations, it is not feasible to specify each value with a different entry. For this, use a net slope entry or create a custom entry (see “Customize Match and Replacement Process” on page 24-161).

The operation  $V_0 = (V_1 / V_2)$  implies, for binary-point-only scaling, that

$$S_0 Q_0 = \left( \frac{S_1 Q_1}{S_2 Q_2} \right)$$

$$Q_0 = S_n \left( \frac{Q_1}{Q_2} \right)$$

where  $S_n$  is the net slope.

It is common to replace all division operations that have a net slope of 1.0 with a function that performs C-style division. For example, to replace all signed 8-bit divisions that have a net scaling of 1.0 with the `s8_mul_s8_u8_` replacement function, the operator entry must define a net slope factor,  $F2^E$ . You specify the values for  $F$  and  $E$  using operator entry parameters `NetSlopeAdjustmentFactor` and `NetFixedExponent`. (For parameter descriptions, see the reference page for the function `setTf1COperationEntryParameters`.) For the `s16_netslope0p5_div_s16_s16` function, you would set `NetSlopeAdjustmentFactor` to 1 and `NetFixedExponent` to 0.0.

---

**Note:** When an operator entry specifies `NetSlopeAdjustmentFactor` and `NetFixedExponent`, matching entries must have arguments with zero bias.

---

## Data Type Conversion (Cast)

The data type conversion operation  $V_0 = V_1$  implies, for binary-point-only scaling, that

$$Q_0 = \left( \frac{S_1}{S_0} \right) Q_1$$

$$Q_0 = S_n Q_1$$

where  $S_n$  is the net slope.

## Shift

The shift left or shift right operation  $V_0 = (V_1 / 2^n)$  implies, for binary-point-only scaling, that

$$S_0 Q_0 = \left( \frac{S_1 Q_1}{2^n} \right)$$
$$Q_0 = \left( \frac{S_1}{S_0} \right) + \left( \frac{Q_1}{2^n} \right)$$
$$Q_0 = S_n \left( \frac{Q_1}{2^n} \right)$$

where  $S_n$  is the net slope.

### Related Examples

- “Define Code Replacement Mappings” on page 24-42
- “Binary-Point-Only Scaling Code Replacement” on page 24-208
- “Slope Bias Scaling Code Replacement” on page 24-212
- “Net Slope Scaling Code Replacement” on page 24-216
- “Equal Slope and Zero Net Bias Code Replacement” on page 24-224
- “Data Type Conversions (Casts) and Operator Code Replacement” on page 24-228
- “Shift Left Operations and Code Replacement” on page 24-233
- “Data Alignment for Code Replacement” on page 24-136
- “Remap Operator Output to Function Input” on page 24-195
- “Customize Code Match and Replacement for Scalar Operations” on page 24-238
- “Develop a Code Replacement Library” on page 24-26
- “Quick Start Library Development” on page 24-27
- “Optimize Generated Code By Developing and Using Code Replacement Libraries - Simulink®”

### More About

- “What Is Code Replacement?” on page 20-2
- “What Is Code Replacement Customization?” on page 24-3
- “Code You Can Replace From Simulink Models” on page 20-4
- “Code Replacement Match and Replacement Process” on page 24-22

- “Code Replacement Libraries” on page 20-23
- “Code Replacement Terminology” on page 20-25

## Binary-Point-Only Scaling Code Replacement

You can define code replacement entries for operations on fixed-point data types such that they match a binary-point-only scaling combination on operator inputs and output. These binary-point-only scaling entries can map the specified binary-point-scaling combination to a replacement function for addition, subtraction, multiplication, or division.

This example creates a code replacement entry for multiplication of fixed-point data types. You specify arguments using binary-point-only scaling. The example defines the function mapping programmatically. Alternatively, you can use the Code Replacement Tool to define the same mapping.

- 1 Create a table definition file that contains a function definition. For example:

```
function hTable = crl_table_fixed_binptscale
```

- 2 Within the function body, create the table by calling the function `RTW.Tf1Table`.

```
hTable = RTW.Tf1Table;
```

- 3 Create the entry for the operator mapping with a call to the `RTW.Tf1COperationEntry` function.

```
op_entry = RTW.Tf1COperationEntry;
```

- 4 Set operator entry parameters with a call to the `setTf1COperationEntryParameters` function. The parameters specify the type of operation as multiplication, the saturation mode as saturate on integer overflow, rounding modes as unspecified, and the name of the replacement function as `s32_mul_s16_s16_binarypoint`.

```
setTf1COperationEntryParameters(op_entry, ...
    'Key', 'RTW_OP_MUL', ...
    'Priority', 90, ...
    'SaturationMode', 'RTW_SATURATE_ON_OVERFLOW', ...
    'RoundingModes', {'RTW_ROUND_UNSPECIFIED'}, ...
    'ImplementationName', 's32_mul_s16_s16_binarypoint', ...
    'ImplementationHeaderFile', 's32_mul_s16_s16_binarypoint.h', ...
    'ImplementationSourceFile', 's32_mul_s16_s16_binarypoint.c');
```

- 5 Create conceptual arguments `y1`, `u1`, and `u2`. There are multiple ways to set up the conceptual arguments. This example uses calls to the `createAndAddConceptualArg` function to create and add an argument with one function call. Each argument specifies that the data type is fixed-point, the mode is binary-point-only scaling, and its derived slope and bias values must exactly match the call-site slope and bias values. The output argument is 32 bits, signed, with a

fraction length of 28. The input arguments are 16 bits, signed, with fraction lengths of 15 and 13.

```
createAndAddConceptualArg(op_entry, 'RTW.Tf1ArgNumeric',...
    'Name',          'y1', ...
    'IOType',        'RTW_IO_OUTPUT', ...
    'CheckSlope',    true, ...
    'CheckBias',     true, ...
    'DataTypeMode',  'Fixed-point: binary point scaling', ...
    'IsSigned',      true, ...
    'WordLength',    32, ...
    'FractionLength', 28);

createAndAddConceptualArg(op_entry, 'RTW.Tf1ArgNumeric', ...
    'Name',          'u1', ...
    'IOType',        'RTW_IO_INPUT', ...
    'CheckSlope',    true, ...
    'CheckBias',     true, ...
    'DataTypeMode',  'Fixed-point: binary point scaling', ...
    'IsSigned',      true, ...
    'WordLength',    16, ...
    'FractionLength', 15);

createAndAddConceptualArg(op_entry, 'RTW.Tf1ArgNumeric', ...
    'Name',          'u2', ...
    'IOType',        'RTW_IO_INPUT', ...
    'CheckSlope',    true, ...
    'CheckBias',     true, ...
    'DataTypeMode',  'Fixed-point: binary point scaling', ...
    'IsSigned',      true, ...
    'WordLength',    16, ...
    'FractionLength', 13);
```

- 6 Create the implementation arguments. There are multiple ways to set up the implementation arguments. This example uses calls to the `createAndSetCImplementationReturn` and `createAndAddImplementationArg` functions to create and add implementation arguments to the entry. Implementation arguments must describe fundamental numeric data types (not fixed-point data types). In this case, the output argument is 32 bits and signed (`int32`). The input arguments are 16 bits and signed (`int16`).

```
createAndSetCImplementationReturn(op_entry, 'RTW.Tf1ArgNumeric', ...
    'Name',          'y1', ...
    'IOType',        'RTW_IO_OUTPUT', ...
    'IsSigned',      true, ...
    'WordLength',    32, ...
    'FractionLength', 0);

createAndAddImplementationArg(op_entry, 'RTW.Tf1ArgNumeric',...
    'Name',          'u1', ...
    'IOType',        'RTW_IO_INPUT', ...
    'IsSigned',      true, ...
    'WordLength',    16, ...
```

```

    'FractionLength', 0);

createAndAddImplementationArg(op_entry, 'RTW.Tf1ArgNumeric',...
    'Name',          'u2', ...
    'IOType',        'RTW_IO_INPUT', ...
    'IsSigned',      true, ...
    'WordLength',   16, ...
    'FractionLength', 0);

```

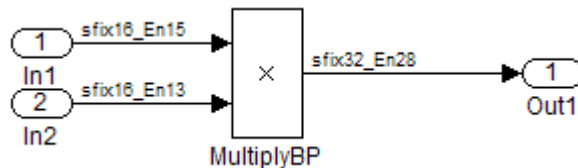
- 7 Add the entry to a code replacement table with a call to the `addEntry` function.

```
addEntry(hTable, op_entry);
```

- 8 Save the table definition file. Use the name of the table definition function to name the file.

To test this example:

- 1 Register the code replacement mapping.
- 2 Create a model.



- 3 For this model:

- Set the Inport 1 **Data type** to `fixdt(1,16,15)`.
- Set the Inport 2 **Data type** to `fixdt(1,16,13)`.
- In the Product block:
  - Set **Output data type** to `fixdt(1,32,28)`.
  - Select the option **Saturate on integer overflow**.

- 4 Configure the model with the following settings:

- On the **Solver** pane, select a fixed-step, discrete solver.
- On the **Code Generation** pane, select an ERT-based system target file.
- On the **Code Generation > Interface** pane, select the code replacement library that contains your addition operation entry.

- 5 Generate code and a code generation report.



- 6 Review the code replacements.

## Related Examples

- “Define Code Replacement Mappings” on page 24-42
- “Register Code Replacement Mappings” on page 24-68
- “Verify Code Replacements” on page 24-78
- “Fixed-Point Operator Code Replacement” on page 24-198
- “Slope Bias Scaling Code Replacement” on page 24-212
- “Net Slope Scaling Code Replacement” on page 24-216
- “Equal Slope and Zero Net Bias Code Replacement” on page 24-224
- “Data Type Conversions (Casts) and Operator Code Replacement” on page 24-228
- “Shift Left Operations and Code Replacement” on page 24-233
- “Data Alignment for Code Replacement” on page 24-136
- “Remap Operator Output to Function Input” on page 24-195
- “Customize Code Match and Replacement for Scalar Operations” on page 24-238
- “Develop a Code Replacement Library” on page 24-26
- “Quick Start Library Development” on page 24-27
- “Optimize Generated Code By Developing and Using Code Replacement Libraries - Simulink®”

## More About

- “What Is Code Replacement?” on page 20-2
- “What Is Code Replacement Customization?” on page 24-3
- “Code You Can Replace From Simulink Models” on page 20-4
- “Code Replacement Match and Replacement Process” on page 24-22
- “Code Replacement Libraries” on page 20-23
- “Code Replacement Terminology” on page 20-25

## Slope Bias Scaling Code Replacement

You can define code replacement for operations on fixed-point data types as matching a slope bias scaling combination on the operator inputs and output. The slope bias scaling entries can map the specified slope bias combination to a replacement function for addition, subtraction, multiplication, or division.

This example creates a code replacement entry for division of fixed-point data types. You specify arguments using slope bias scaling. The example defines the function mapping programmatically. Alternatively, you can use the Code Replacement Tool to define the same mapping.

- 1 Create a table definition file that contains a function definition. For example:

```
function hTable = crl_table_fixed_s16divslopebias
```

- 2 Within the function body, create the table by calling the function `RTW.Tf1Table`.

```
hTable = RTW.Tf1Table;
```

- 3 Create the entry for the operator mapping with a call to the `RTW.Tf1COperationEntry` function.

```
op_entry = RTW.Tf1COperationEntry;
```

- 4 Set operator entry parameters with a call to the `setTf1COperationEntryParameters` function. The parameters specify the type of operation as division, the saturation mode as saturate on integer overflow, rounding modes as round to ceiling, and the name of the replacement function as `s16_div_s16_s16_slopebias`.

```
setTf1COperationEntryParameters(op_entry, ...
    'Key', 'RTW_OP_DIV', ...
    'Priority', 90, ...
    'SaturationMode', 'RTW_SATURATE_ON_OVERFLOW', ...
    'RoundingModes', {'RTW_ROUND_CEILING'}, ...
    'ImplementationName', 's16_div_s16_s16_slopebias', ...
    'ImplementationHeaderFile', 's16_div_s16_s16_slopebias.h', ...
    'ImplementationSourceFile', 's16_div_s16_s16_slopebias.c');
```

- 5 Create conceptual arguments `y1`, `u1`, and `u2`. There are multiple ways to set up the conceptual arguments. This example uses calls to the `createAndAddConceptualArg` function to create and add an argument with one function call. Each argument specifies that the data type is fixed-point, the mode is slope bias scaling, and its specified slope and bias values must exactly match the call-site slope and bias values. The output argument and input arguments are 16 bits, signed, each with specific slope bias specifications.

```

createAndAddConceptualArg(op_entry, 'RTW.Tf1ArgNumeric', ...
    'Name',          'y1', ...
    'IOType',        'RTW_IO_OUTPUT', ...
    'CheckSlope',    true, ...
    'CheckBias',     true, ...
    'DataTypeMode',  'Fixed-point: slope and bias scaling', ...
    'IsSigned',      true, ...
    'WordLength',    16, ...
    'Slope',         15, ...
    'Bias',          2);

createAndAddConceptualArg(op_entry, 'RTW.Tf1ArgNumeric', ...
    'Name',          'u1', ...
    'IOType',        'RTW_IO_INPUT', ...
    'CheckSlope',    true, ...
    'CheckBias',     true, ...
    'DataTypeMode',  'Fixed-point: slope and bias scaling', ...
    'IsSigned',      true, ...
    'WordLength',    16, ...
    'Slope',         15, ...
    'Bias',          2);

createAndAddConceptualArg(op_entry, 'RTW.Tf1ArgNumeric', ...
    'Name',          'u2', ...
    'IOType',        'RTW_IO_INPUT', ...
    'CheckSlope',    true, ...
    'CheckBias',     true, ...
    'DataTypeMode',  'Fixed-point: slope and bias scaling', ...
    'IsSigned',      true, ...
    'WordLength',    16, ...
    'Slope',         13, ...
    'Bias',          5);

```

- 6** Create the implementation arguments. There are multiple ways to set up the implementation arguments. This example uses calls to the `createAndSetCImplementationReturn` and `createAndAddImplementationArg` functions to create and add implementation arguments to the entry. Implementation arguments must describe fundamental numeric data types (not fixed-point data types). In this case, the output and input arguments are 16 bits and signed (`int16`).

```

createAndSetCImplementationReturn(op_entry, 'RTW.Tf1ArgNumeric', ...
    'Name',          'y1', ...
    'IOType',        'RTW_IO_OUTPUT', ...
    'IsSigned',      true, ...
    'WordLength',    16, ...
    'FractionLength', 0);

createAndAddImplementationArg(op_entry, 'RTW.Tf1ArgNumeric', ...
    'Name',          'u1', ...
    'IOType',        'RTW_IO_INPUT', ...
    'IsSigned',      true, ...
    'WordLength',    16, ...

```

```

    'FractionLength', 0);

createAndAddImplementationArg(op_entry, 'RTW.Tf1ArgNumeric',...
    'Name',          'u2', ...
    'IOType',        'RTW_IO_INPUT', ...
    'IsSigned',      true, ...
    'WordLength',    16, ...
    'FractionLength', 0);

```

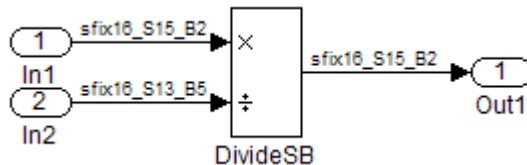
- 7 Add the entry to a code replacement table with a call to the `addEntry` function.

```
addEntry(hTable, op_entry);
```

- 8 Save the table definition file. Use the name of the table definition function to name the file.

To test this example:

- 1 Register the code replacement mapping.
- 2 Create a model.



- 3 For this model:

- Set the Inport 1 **Data type** to `fixdt(1,16,15,2)`.
- Set the Inport 2 **Data type** to `fixdt(1,16,13,5)`.
- In the Divide block:
  - Set **Output data type** to `Inherit: Inherit via back propagation`.
  - Set **Integer rounding mode** to `Ceiling`.
  - Select the option **Saturate on integer overflow**.

- 4 Configure the model with the following settings:

- On the **Solver** pane, select a fixed-step, discrete solver.
- On the **Code Generation** pane, select an ERT-based system target file.
- On the **Code Generation > Interface** pane, select the code replacement library that contains your addition operation entry.

- 5 Generate code and a code generation report.
- 6 Review the code replacements.

## Related Examples

- “Define Code Replacement Mappings” on page 24-42
- “Register Code Replacement Mappings” on page 24-68
- “Verify Code Replacements” on page 24-78
- “Fixed-Point Operator Code Replacement” on page 24-198
- “Binary-Point-Only Scaling Code Replacement” on page 24-208
- “Net Slope Scaling Code Replacement” on page 24-216
- “Equal Slope and Zero Net Bias Code Replacement” on page 24-224
- “Data Type Conversions (Casts) and Operator Code Replacement” on page 24-228
- “Shift Left Operations and Code Replacement” on page 24-233
- “Data Alignment for Code Replacement” on page 24-136
- “Remap Operator Output to Function Input” on page 24-195
- “Customize Code Match and Replacement for Scalar Operations” on page 24-238
- “Develop a Code Replacement Library” on page 24-26
- “Quick Start Library Development” on page 24-27
- “Optimize Generated Code By Developing and Using Code Replacement Libraries - Simulink®”

## More About

- “What Is Code Replacement?” on page 20-2
- “What Is Code Replacement Customization?” on page 24-3
- “Code You Can Replace From Simulink Models” on page 20-4
- “Code Replacement Match and Replacement Process” on page 24-22
- “Code Replacement Libraries” on page 20-23
- “Code Replacement Terminology” on page 20-25

## Net Slope Scaling Code Replacement

### In this section...

“Multiplication and Division with Saturation” on page 24-216

“Multiplication and Division with Rounding Mode and Additional Implementation Arguments” on page 24-219

### Multiplication and Division with Saturation

You can define code replacement entries for operations on fixed-point data types as matching net slope between operator inputs and output. The net slope entries can map a range of slope and bias values to a replacement function for multiplication or division.

This example creates a code replacement entry for division of fixed-point data types, using wrap on overflow saturation mode and a net slope. The example defines the function mapping programmatically. Alternatively, you can use the Code Replacement Tool to define the same mapping.

- 1 Create a table definition file that contains a function definition. For example:
 

```
function hTable = crl_table_fixed_netslopesaturate
```
- 2 Within the function body, create the table by calling the function `RTW.Tf1Table`.
 

```
hTable = RTW.Tf1Table;
```
- 3 Create the entry for the operator mapping with a call to the `RTW.Tf1COperationEntryGenerator_Netslope` function, which provides access to the fixed-point parameters `NetSlopeAdjustmentFactor` and `NetFixedExponent`.

```
wv = [16,32];
for iy = 1:2
    for inum = 1:2
        for iden = 1:2
            hTable = getDivOpEntry(hTable, ...
                fixdt(1,wv(iy)),fixdt(1,wv(inum)),fixdt(1,wv(iden)));
        end
    end
end
```

```
%-----
function hTable = getDivOpEntry(hTable, dty, dtnum, dtiden)
%-----
% Create an entry for division of fixed-point data types where
```

```
% arguments are specified using Slope and Bias scaling
% Saturation on, Rounding unspecified
```

```
funcStr = sprintf('user_div_%s_%s_%s',...
    typeStrFunc(dty),...
    typeStrFunc(dtnum),...
    typeStrFunc(dtden));
```

```
op_entry = RTW.Tf1COperationEntryGenerator_NetSlope;
```

- 4 Set operator entry parameters with a call to the `setTf1COperationEntryParameters` function. The parameters specify the type of operation as division, the saturation mode as wrap on overflow, rounding modes as unspecified, and the name of the replacement function as `user_div_*`. `NetSlopeAdjustmentFactor` and `NetFixedExponent` specify the F and E parts of the net slope  $F2^E$ .

```
setTf1COperationEntryParameters(op_entry, ...
    'Key', 'RTW_OP_DIV', ...
    'Priority', 90, ...
    'SaturationMode', 'RTW_WRAP_ON_OVERFLOW',...
    'RoundingModes', {'RTW_ROUND_UNSPECIFIED'},...
    'NetSlopeAdjustmentFactor', 1.0, ...
    'NetFixedExponent', 0.0, ...
    'ImplementationName', funcStr, ...
    'ImplementationHeaderFile', [funcStr,'.h'], ...
    'ImplementationSourceFile', [funcStr,'.c']);
```

- 5 Create conceptual arguments `y1`, `u1`, and `u2`. There are multiple ways to set up the conceptual arguments. This example uses calls to the `createAndAddConceptualArg` function to create and add an argument with one function call. Specify each argument as fixed-point and signed. Also, for each argument, specify that code replacement request processing does *not* check for an exact match to the call-site slope and bias values.

```
createAndAddConceptualArg(op_entry, ...
    'RTW.Tf1ArgNumeric', ...
    'Name', 'y1',...
    'IOType', 'RTW_IO_OUTPUT',...
    'CheckSlope', false,...
    'CheckBias', false,...
    'DataTypeMode', 'Fixed-point: slope and bias scaling',...
    'IsSigned', dty.Signed,...
    'WordLength', dty.WordLength,...
    'Bias', 0);
```

```
createAndAddConceptualArg(op_entry, ...
    'RTW.Tf1ArgNumeric',...
    'Name', 'u1', ...
    'IOType', 'RTW_IO_INPUT',...
    'CheckSlope', false,...
    'CheckBias', false,...
```

```

    'DataTypeMode', 'Fixed-point: slope and bias scaling',...
    'IsSigned',    dtnum.Signed,...
    'WordLength',  dtnum.WordLength,...
    'Bias',        0);

createAndAddConceptualArg(op_entry, ...
    'RTW.Tf1ArgNumeric', ...
    'Name',          'u2', ...
    'IOType',        'RTW_IO_INPUT',...
    'CheckSlope',    false,...
    'CheckBias',     false,...
    'DataTypeMode', 'Fixed-point: slope and bias scaling',...
    'IsSigned',      dtden.Signed,...
    'WordLength',    dtden.WordLength,...
    'Bias',          0);

```

- 6 Create the implementation arguments. There are multiple ways to set up the implementation arguments. This example uses calls to the `getTf1ArgFromString` function to create the arguments. Implementation arguments must describe fundamental numeric data types (not fixed-point data types). The convenience methods `setReturn` and `addArgument` specify whether an argument is a return value or argument. These methods add the argument to the entry array of implementation arguments.

```

arg = getTf1ArgFromString(hTable, 'y1', typeStrBase(dty));
op_entry.Implementation.setReturn(arg);

arg = getTf1ArgFromString(hTable, 'u1', typeStrBase(dtnum));
op_entry.Implementation.addArgument(arg);

arg = getTf1ArgFromString(hTable, 'u2', typeStrBase(dtden));
op_entry.Implementation.addArgument(arg);

```

- 7 Add the entry to a code replacement table with a call to the `addEntry` function.

```
addEntry(hTable, op_entry);
```

- 8 Define functions that determine the data type word length.

```

%-----
function str = typeStrFunc(dt)
%-----

if dt.Signed
    sstr = 's';
else
    sstr = 'u';
end
str = sprintf('%s%d', sstr, dt.WordLength);

%-----
function str = typeStrBase(dt)
%-----

```



```

if dt.Signed
    sstr = ;
else
    sstr = 'u';
end
str = sprintf('%sint%d',sstr,dt.WordLength);

```

- 9 Save the table definition file. Use the name of the table definition function to name the file.

## Multiplication and Division with Rounding Mode and Additional Implementation Arguments

You can define code replacement entries for multiplication and division operations on fixed-point data types such that they match the net slope between operator inputs and output. The net slope entries can map a range of slope and bias values to a replacement function for multiplication or division.

This example creates a code replacement entry for division of fixed-point data types, using the ceiling rounding mode and a net slope scaling factor. The example defines the function mapping programmatically. Alternatively, you can use the Code Replacement Tool to define the same mapping.

- 1 Create a table definition file that contains a function definition. For example:

```
function hTable = crl_table_fixed_netsloperound
```

- 2 Within the function body, create the table by calling the function `RTW.Tf1Table`.

```
hTable = RTW.Tf1Table;
```

- 3 Create the entry for the operator mapping with a call to the `RTW.Tf1COperationEntryGenerator_Netslope` function, which provides access to the fixed-point parameters `NetSlopeAdjustmentFactor` and `NetFixedExponent`.

```
op_entry = RTW.Tf1COperationEntryGenerator_NetSlope;
```

- 4 Set operator entry parameters with a call to the `setTf1COperationEntryParameters` function. The parameters specify the type of operation as division, the saturation mode as saturation off, rounding modes as round to ceiling, and the name of the replacement function as `s16_div_s16_s16`. `NetSlopeAdjustmentFactor` and `NetFixedExponent` specify the F and E parts of the relative scaling factor  $F2^E$ .

```
setTf1COperationEntryParameters(op_entry, ...
```

```

'Key',                'RTW_OP_DIV', ...
'Priority',           90, ...
'SaturationMode',    'RTW_WRAP_ON_OVERFLOW', ...
'RoundingModes',     {'RTW_ROUND_CEILING'}, ...
'NetSlopeAdjustmentFactor', 1.0, ...
'NetFixedExponent',   0.0, ...
'ImplementationName', 's16_div_s16_s16', ...
'ImplementationHeaderFile', 's16_div_s16_s16.h', ...
'ImplementationSourceFile', 's16_div_s16_s16.c');

```

- 5 Create conceptual arguments `y1`, `u1`, and `u2`. There are multiple ways to set up the conceptual arguments. This example uses calls to the `createAndAddConceptualArg` function to create and add an argument with one function call. Specify each argument as fixed-point, 16 bits, and signed. Also, for each argument, specify that code replacement request processing does *not* check for an exact match to the call-site slope and bias values.

```

createAndAddConceptualArg(op_entry, 'RTW.TflArgNumeric', ...
    'Name',                'y1', ...
    'IOType',              'RTW_IO_OUTPUT', ...
    'CheckSlope',          false, ...
    'CheckBias',           false, ...
    'DataType',            'Fixed', ...
    'IsSigned',            true, ...
    'WordLength',          16);

```

```

createAndAddConceptualArg(op_entry, 'RTW.TflArgNumeric', ...
    'Name',                'u1', ...
    'IOType',              'RTW_IO_INPUT', ...
    'CheckSlope',          false, ...
    'CheckBias',           false, ...
    'DataType',            'Fixed', ...
    'IsSigned',            true, ...
    'WordLength',          16);

```

```

createAndAddConceptualArg(op_entry, 'RTW.TflArgNumeric', ...
    'Name',                'u2', ...
    'IOType',              'RTW_IO_INPUT', ...
    'CheckSlope',          false, ...
    'CheckBias',           false, ...
    'DataType',            'Fixed', ...
    'IsSigned',            true, ...
    'WordLength',          16);

```

- 6 Create the implementation arguments. There are multiple ways to set up the implementation arguments. This example uses calls to the `createAndSetCImplementationReturn` and `createAndAddImplementationArg` functions to create and add implementation arguments to the entry. Implementation arguments must describe fundamental numeric data types (not fixed-point data types). In this case, the output and input arguments are 16 bits and signed (`int16`).

```

createAndSetCImplementationReturn(op_entry, 'RTW.Tf1ArgNumeric', ...
    'Name', 'y1', ...
    'IOType', 'RTW_IO_OUTPUT', ...
    'IsSigned', true, ...
    'WordLength', 16, ...
    'FractionLength', 0);

createAndAddImplementationArg(op_entry, 'RTW.Tf1ArgNumeric',...
    'Name', 'u1', ...
    'IOType', 'RTW_IO_INPUT', ...
    'IsSigned', true, ...
    'WordLength', 16, ...
    'FractionLength', 0);

createAndAddImplementationArg(op_entry, 'RTW.Tf1ArgNumeric',...
    'Name', 'u2', ...
    'IOType', 'RTW_IO_INPUT', ...
    'IsSigned', true, ...
    'WordLength', 16, ...
    'FractionLength', 0);

```

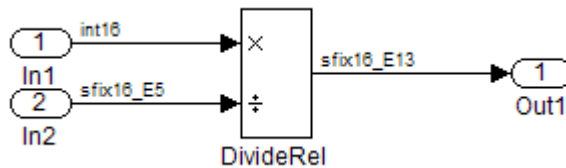
- 7 Add the entry to a code replacement table with a call to the `addEntry` function.

```
addEntry(hTable, op_entry);
```

- 8 Save the table definition file. Use the name of the table definition function to name the file.

To test this example:

- 1 Register the code replacement mapping.
- 2 Create a model.



- 3 For this model:
  - Set the Inport 1 **Data type** to `int16`.
  - Set the Inport 2 **Data type** to `fixdt(1,16,-5)`.
  - In the `Divide` block:
    - Set **Output data type** to `fixdt(1,16,-13)`.

- Set **Integer rounding mode** to **Ceiling**.
- 4 Configure the model with the following settings:
    - On the **Solver** pane, select a fixed-step, discrete solver.
    - On the **Code Generation** pane, select an ERT-based system target file.
    - On the **Code Generation > Interface** pane, select the code replacement library that contains your addition operation entry.
  - 5 Generate code and a code generation report.
  - 6 Review the code replacements.

### Related Examples

- “Define Code Replacement Mappings” on page 24-42
- “Register Code Replacement Mappings” on page 24-68
- “Verify Code Replacements” on page 24-78
- “Fixed-Point Operator Code Replacement” on page 24-198
- “Binary-Point-Only Scaling Code Replacement” on page 24-208
- “Slope Bias Scaling Code Replacement” on page 24-212
- “Equal Slope and Zero Net Bias Code Replacement” on page 24-224
- “Data Type Conversions (Casts) and Operator Code Replacement” on page 24-228
- “Shift Left Operations and Code Replacement” on page 24-233
- “Data Alignment for Code Replacement” on page 24-136
- “Remap Operator Output to Function Input” on page 24-195
- “Customize Code Match and Replacement for Scalar Operations” on page 24-238
- “Develop a Code Replacement Library” on page 24-26
- “Quick Start Library Development” on page 24-27
- “Optimize Generated Code By Developing and Using Code Replacement Libraries - Simulink®”

### More About

- “What Is Code Replacement?” on page 20-2
- “What Is Code Replacement Customization?” on page 24-3

- “Code You Can Replace From Simulink Models” on page 20-4
- “Code Replacement Match and Replacement Process” on page 24-22
- “Code Replacement Libraries” on page 20-23
- “Code Replacement Terminology” on page 20-25

## Equal Slope and Zero Net Bias Code Replacement

You can define code replacement entries for addition or subtraction of fixed-point data types such that they match relative slope and bias values (equal slope and zero net bias) across operator inputs and output. These entries allow you to disregard slope and bias values. Map relative slope and bias values to a replacement function for addition or subtraction.

This example creates a code replacement entry for addition of fixed-point data types. Slopes must be equal and net bias must be zero across the operator inputs and output. The example defines the function mapping programmatically. Alternatively, you can use the Code Replacement Tool to define the same mapping.

- 1 Create a table definition file that contains a function definition. For example:

```
function hTable = crl_table_fixed_slopeseq_netbiaszero
```

- 2 Within the function body, create the table by calling the function `RTW.Tf1Table`.

```
hTable = RTW.Tf1Table;
```

- 3 Create the entry for the operator mapping with a call to the `RTW.Tf1COperationEntryGenerator` function, which provides access to the fixed-point parameters `SlopesMustBeTheSame` and `MustHaveZeroNetBias`.

```
op_entry = RTW.Tf1COperationEntryGenerator;
```

- 4 Set operator entry parameters with a call to the `setTf1COperationEntryParameters` function. The parameters specify the type of operation as addition, the saturation mode as saturation off, rounding modes as unspecified, and the name of the replacement function as `u16_add_SameSlopeZeroBias`. `SlopesMustBeTheSame` and `MustHaveZeroNetBias` are set to `true`, indicating that slopes must be equal and net bias must be zero across the addition inputs and output.

```
setTf1COperationEntryParameters(op_entry, ...
    'Key', 'RTW_OP_ADD', ...
    'Priority', 90, ...
    'SaturationMode', 'RTW_WRAP_ON_OVERFLOW', ...
    'RoundingModes', {'RTW_ROUND_UNSPECIFIED'}, ...
    'SlopesMustBeTheSame', true, ...
    'MustHaveZeroNetBias', true, ...
    'ImplementationName', 'u16_add_SameSlopeZeroBias', ...
    'ImplementationHeaderFile', 'u16_add_SameSlopeZeroBias.h', ...
    'ImplementationSourceFile', 'u16_add_SameSlopeZeroBias.c');
```

- 5 Create conceptual arguments  $y_1$ ,  $u_1$ , and  $u_2$ . There are multiple ways to set up the conceptual arguments. This example uses calls to the `createAndAddConceptualArg` function to create and add an argument with one function call. Each argument is specified as 16 bits and unsigned. Each argument specifies that code replacement request processing does *not* check for an exact match to the call-site slope and bias values.

```
createAndAddConceptualArg(op_entry, 'RTW.Tf1ArgNumeric', ...
    'Name',          'y1', ...
    'IOType',        'RTW_IO_OUTPUT', ...
    'CheckSlope',    false, ...
    'CheckBias',     false, ...
    'IsSigned',      false, ...
    'WordLength',    16);

createAndAddConceptualArg(op_entry, 'RTW.Tf1ArgNumeric', ...
    'Name',          'u1', ...
    'IOType',        'RTW_IO_INPUT', ...
    'CheckSlope',    false, ...
    'CheckBias',     false, ...
    'IsSigned',      false, ...
    'WordLength',    16);

createAndAddConceptualArg(op_entry, 'RTW.Tf1ArgNumeric', ...
    'Name',          'u2', ...
    'IOType',        'RTW_IO_INPUT', ...
    'CheckSlope',    false, ...
    'CheckBias',     false, ...
    'IsSigned',      false, ...
    'WordLength',    16);
```

- 6 Create the implementation arguments. There are multiple ways to set up the implementation arguments. This example uses calls to the `createAndSetCImplementationReturn` and `createAndAddImplementationArg` functions to create and add implementation arguments to the entry. Implementation arguments must describe fundamental numeric data types (not fixed-point data types). In this case, the output and input arguments are 16 bits and unsigned (`uint16`).

```
createAndSetCImplementationReturn(op_entry, 'RTW.Tf1ArgNumeric', ...
    'Name',          'y1', ...
    'IOType',        'RTW_IO_OUTPUT', ...
    'IsSigned',      false, ...
    'WordLength',    16, ...
    'FractionLength', 0);

createAndAddImplementationArg(op_entry, 'RTW.Tf1ArgNumeric', ...
    'Name',          'u1', ...
    'IOType',        'RTW_IO_INPUT', ...
    'IsSigned',      false, ...
    'WordLength',    16, ...
```

```

    'FractionLength', 0);

createAndAddImplementationArg(op_entry, 'RTW.Tf1ArgNumeric',...
    'Name',          'u2', ...
    'IOType',        'RTW_IO_INPUT', ...
    'IsSigned',      false, ...
    'WordLength',    16, ...
    'FractionLength', 0);

```

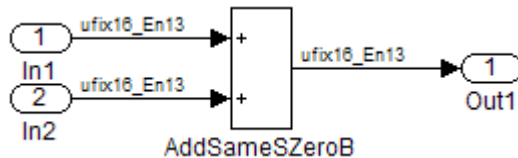
- 7 Add the entry to a code replacement table with a call to the `addEntry` function.

```
addEntry(hTable, op_entry);
```

- 8 Save the table definition file. Use the name of the table definition function to name the file.

To test this example:

- 1 Register the code replacement mapping.
- 2 Create a model.



- 3 For this model:

- Set the Inport 1 **Data type** to `fixdt(0,16,13)`.
- Set the Inport 2 **Data type** to `fixdt(0,16,13)`.
- In the Add block:
  - Verify that **Output data type** is set to its default, `Inherit` via `internal` rule.
  - Set **Integer rounding mode** to `Zero`.

- 4 Configure the model with the following settings:

- On the **Solver** pane, select a fixed-step, discrete solver.
- On the **Code Generation** pane, select an ERT-based system target file.
- On the **Code Generation > Interface** pane, select the code replacement library that contains your addition operation entry.

- 5 Generate code and a code generation report.



- 6 Review the code replacements.

## Related Examples

- “Define Code Replacement Mappings” on page 24-42
- “Register Code Replacement Mappings” on page 24-68
- “Verify Code Replacements” on page 24-78
- “Fixed-Point Operator Code Replacement” on page 24-198
- “Binary-Point-Only Scaling Code Replacement” on page 24-208
- “Slope Bias Scaling Code Replacement” on page 24-212
- “Net Slope Scaling Code Replacement” on page 24-216
- “Data Type Conversions (Casts) and Operator Code Replacement” on page 24-228
- “Shift Left Operations and Code Replacement” on page 24-233
- “Data Alignment for Code Replacement” on page 24-136
- “Remap Operator Output to Function Input” on page 24-195
- “Customize Code Match and Replacement for Scalar Operations” on page 24-238
- “Develop a Code Replacement Library” on page 24-26
- “Quick Start Library Development” on page 24-27
- “Optimize Generated Code By Developing and Using Code Replacement Libraries - Simulink®”

## More About

- “What Is Code Replacement?” on page 20-2
- “What Is Code Replacement Customization?” on page 24-3
- “Code You Can Replace From Simulink Models” on page 20-4
- “Code Replacement Match and Replacement Process” on page 24-22
- “Code Replacement Libraries” on page 20-23
- “Code Replacement Terminology” on page 20-25

## Data Type Conversions (Casts) and Operator Code Replacement

You can use code replacement entries to replace code that the code generator produces for data type conversion (cast) operations.

### In this section...

“Casts from int32 To int16” on page 24-228

“Casts Using Net Slope” on page 24-229

### Casts from int32 To int16

This example creates a code replacement entry that replaces int32 to int16 data type conversion (cast) operations. The example defines the function mapping programmatically. Alternatively, you can use the Code Replacement Tool to define the same mapping.

- 1 Create a table definition file that contains a function definition. For example:

```
function hTable = crl_table_cast_int32_to_int16
```

- 2 Within the function body, create the table by calling the function RTW.Tf1Table.

```
hTable = RTW.Tf1Table;
```

- 3 Create the entry for the operator mapping with a call to the RTW.Tf1COperationEntry function.

```
op_entry = RTW.Tf1COperationEntry;
```

- 4 Set operator entry parameters with a call to the setTf1COperationEntryParameters function. The parameters specify the type of operation as cast, the saturation mode as saturate on integer overflow, rounding modes as toward negative infinity, and the name of the replacement function as my\_sat\_cast.

```
setTf1COperationEntryParameters(op_entry, ...
    'Key', 'RTW_OP_CAST', ...
    'Priority', 50, ...
    'ImplementationName', 'my_sat_cast', ...
    'SaturationMode', 'RTW_SATURATE_ON_OVERFLOW', ...
    'RoundingModes', {'RTW_ROUND_FLOOR'}, ...
    'ImplementationHeaderFile', 'some_hdr.h', ...
    'ImplementationSourceFile', 'some_hdr.c');
```

- 5 Create the `int16` argument as conceptual argument `y1` and the implementation return value. There are multiple ways to set up the conceptual and implementation arguments. This example uses calls to the `getTf1ArgFromString` and `addConceptualArg` functions to create the conceptual argument and add it to the entry. Convenience method `setReturn` specifies the argument as the implementation return value.

```
arg = getTf1ArgFromString(hTable, 'y1', 'int16');
arg.IOType = 'RTW_IO_OUTPUT';
addConceptualArg(op_entry, arg);
op_entry.Implementation.setReturn(arg);
```

- 6 Create the `int32` argument as conceptual and implementation argument `u1`. This example uses calls to the `getTf1ArgFromString` and `addConceptualArg` functions to create the conceptual argument and add it to the entry. Convenience method `addArgument` specifies the argument as implementation input argument.

```
arg = getTf1ArgFromString(hTable, 'u1', 'int32');
addConceptualArg(op_entry, arg);
op_entry.Implementation.addArgument(arg);
```

- 7 Add the entry to a code replacement table with a call to the `addEntry` function.

```
addEntry(hLib, hEnt);
```

- 8 Save the table definition file. Use the name of the table definition function to name the file.

## Casts Using Net Slope

You can use code replacement entries to replace code that the code generator produces for data type conversion (cast) operations.

This example creates a code replacement entry to replace data type conversions (casts) of fixed-point data types by using a net slope. The example defines the function mapping programmatically. Alternatively, you can use the Code Replacement Tool to define the same mapping.

- 1 Create a table definition file that contains a function definition. For example:

```
function hTable = crl_table_cast_fixpt_net_slope
```

- 2 Within the function body, create the table by calling the function `RTW.Tf1Table`.

```
hTable = RTW.Tf1Table;
```

- 3 Create the entry for the operator mapping with a call to the `RTW.Tf1COperationEntryGenerator_Netslope` function, which provides

access to the fixed-point parameters `NetSlopeAdjustmentFactor` and `NetFixedExponent`

```
op_entry = RTW.Tf1COperationEntryGenerator_NetSlope;
```

- 4 Set operator entry parameters with a call to the `setTf1COperationEntryParameters` function. The parameters specify the type of operation as `cast`, the saturation mode as `saturate on integer overflow`, rounding modes as `toward negative infinity`, and the name of the replacement function as `my_fxp_cast`. `NetSlopeAdjustmentFactor` and `NetFixedExponent` specify the F and E parts of the net slope  $F2^E$ .

```
InFL = 2;
InWL = 16;
InSgn = true;
OutFL = 4;
OutWL = 32;
OutSgn = true;
setTf1COperationEntryParameters(op_entry, ...
    'Key', 'RTW_OP_CAST', ...
    'Priority', 50, ...
    'SaturationMode', 'RTW_SATURATE_ON_OVERFLOW', ...
    'RoundingModes', {'RTW_ROUND_FLOOR'}, ...
    'NetSlopeAdjustmentFactor', 1.0, ...
    'NetFixedExponent', (OutFL - InFL), ...
    'ImplementationName', 'my_fxp_cast', ...
    'ImplementationHeaderFile', 'some_hdr.h', ...
    'ImplementationSourceFile', 'some_hdr.c');
```

- 5 Create conceptual arguments `y1` and `u1`. There are multiple ways to set up the conceptual arguments. This example uses calls to the `createAndAddConceptualArg` function to create and add an argument with one function call. Each argument is specified as fixed-point and signed. Each argument specifies that code replacement request processing does *not* check for an exact match to the call-site slope and bias values.

```
createAndAddConceptualArg(op_entry, 'RTW.Tf1ArgNumeric', ...
    'Name', 'y1', ...
    'IOType', 'RTW_IO_OUTPUT', ...
    'CheckSlope', false, ...
    'CheckBias', false, ...
    'DataTypeMode', 'Fixed-point: binary point scaling', ...
    'IsSigned', OutSgn, ...
    'WordLength', OutWL, ...
    'FractionLength', OutFL);

createAndAddConceptualArg(op_entry, 'RTW.Tf1ArgNumeric', ...
    'Name', 'u1', ...
    'IOType', 'RTW_IO_INPUT', ...
    'CheckSlope', false, ...
    'CheckBias', false, ...
```

```

    'DataTypeMode', 'Fixed-point: binary point scaling', ...
    'IsSigned',     InSgn, ...
    'WordLength',  InWL, ...
    'FractionLength', InFL);

```

- 6 Create the implementation arguments. There are multiple ways to set up the implementation arguments. This example uses calls to the `createAndSetCImplementationReturn` and `createAndAddImplementationArg` functions to create and add implementation arguments to the entry. Implementation arguments must describe fundamental numeric data types (not fixed-point data types).

```

createAndSetCImplementationReturn(op_entry, 'RTW.Tf1ArgNumeric', ...
    'Name',          'y1', ...
    'IOType',        'RTW_IO_OUTPUT', ...
    'IsSigned',      OutSgn, ...
    'WordLength',    OutWL, ...
    'FractionLength', 0);

```

```

createAndAddImplementationArg(op_entry, 'RTW.Tf1ArgNumeric', ...
    'Name',          'u1', ...
    'IOType',        'RTW_IO_INPUT', ...
    'IsSigned',      InSgn, ...
    'WordLength',    InWL, ...
    'FractionLength', 0);

```

- 7 Add the entry to a code replacement table with a call to the `addEntry` function.

```
addEntry(hTable, op_entry);
```

- 8 Save the table definition file. Use the name of the table definition function to name the file.

## Related Examples

- “Define Code Replacement Mappings” on page 24-42
- “Fixed-Point Operator Code Replacement” on page 24-198
- “Binary-Point-Only Scaling Code Replacement” on page 24-208
- “Slope Bias Scaling Code Replacement” on page 24-212
- “Net Slope Scaling Code Replacement” on page 24-216
- “Equal Slope and Zero Net Bias Code Replacement” on page 24-224
- “Shift Left Operations and Code Replacement” on page 24-233
- “Data Alignment for Code Replacement” on page 24-136
- “Remap Operator Output to Function Input” on page 24-195
- “Customize Code Match and Replacement for Scalar Operations” on page 24-238

- “Develop a Code Replacement Library” on page 24-26
- “Quick Start Library Development” on page 24-27
- “Optimize Generated Code By Developing and Using Code Replacement Libraries - Simulink®”

### **More About**

- “What Is Code Replacement?” on page 20-2
- “What Is Code Replacement Customization?” on page 24-3
- “Code You Can Replace From Simulink Models” on page 20-4
- “Code Replacement Match and Replacement Process” on page 24-22
- “Code Replacement Libraries” on page 20-23
- “Code Replacement Terminology” on page 20-25

## Shift Left Operations and Code Replacement

You can use code replacement entries to replace code that the code generator produces for shift (<<) operations.

### In this section...

“Shift Lefts for `int16` Data” on page 24-233

“Shift Lefts Using Net Slope” on page 24-234

### Shift Lefts for `int16` Data

This example creates a code replacement entry to replace shift left operations for `int16` data. The example defines the function mapping programmatically. Alternatively, you can use the Code Replacement Tool to define the same mapping.

- 1 Create a table definition file that contains a function definition. For example:

```
function hTable = crl_table_shift_left_int16
```

- 2 Within the function body, create the table by calling the function `RTW.Tf1Table`.

```
hTable = RTW.Tf1Table;
```

- 3 Create the entry for the operator mapping with a call to the `RTW.Tf1COperationEntry` function.

```
op_entry = RTW.Tf1COperationEntry;
```

- 4 Set operator entry parameters with a call to the `setTf1COperationEntryParameters` function. The parameters specify the type of operation as shift left and the name of the replacement function as `my_shift_left`.

```
setTf1COperationEntryParameters(op_entry, ...
    'Key', 'RTW_OP_SL', ...
    'Priority', 50, ...
    'ImplementationName', 'my_shift_left', ...
    'ImplementationHeaderFile', 'some_hdr.h', ...
    'ImplementationSourceFile', 'some_hdr.c');
```

- 5 Create the `int16` argument as conceptual argument `y1` and the implementation return value. There are multiple ways to set up the conceptual and implementation arguments. This example uses calls to the `getTf1ArgFromString` and `addConceptualArg` functions to create the conceptual argument and add it to the entry. Convenience method `setReturn` specifies the argument as the implementation return value.

```
arg = getTf1ArgFromString(hTable, 'y1', 'int16');
arg.IOType = 'RTW_IO_OUTPUT';
addConceptualArg(op_entry, arg);
op_entry.Implementation.setReturn(arg);
```

- 6 Create the `int16` argument as conceptual and implementation argument `u1`. This example uses calls to the `getTf1ArgFromString` and `addConceptualArg` functions to create the conceptual argument and add it to the entry. Convenience method `addArgument` specifies the argument as an implementation input argument.

```
arg = getTf1ArgFromString(hTable, 'u1', 'int16');
addConceptualArg(op_entry, arg);
op_entry.Implementation.addArgument(arg);
```

- 7 Create the `int8` argument as conceptual and implementation argument `u2`. This example uses calls to the `getTf1ArgFromString` and `addConceptualArg` functions to create the conceptual argument and add it to the entry. This argument specifies the number of bits to shift the previous input argument. Because the argument type is not relevant, the example disables type checking by setting the `CheckType` property to `false`. Convenience method `addArgument` specifies the argument as implementation input argument.

```
arg = getTf1ArgFromString(hTable, 'u2', 'int8');
arg.CheckType = false;
addConceptualArg(op_entry, arg);
op_entry.Implementation.addArgument(arg);
```

- The function `getTf1ArgFromString` is called to create an `int8` input argument. This argument is added to the operator entry both as the third conceptual argument and the second implementation input argument.
- Add the entry to a code replacement table with a call to the `addEntry` function.

```
addEntry(hTable, op_entry);
```

- Save the table definition file. Use the name of the table definition function to name the file.

## Shift Lefts Using Net Slope

You can use code replacement entries to replace code that the code generator produces for shift (`<<`) operations.

This example creates a code replacement entry to replace shift left operations for fixed-point data using a net slope. The example defines the function mapping programmatically. Alternatively, you can use the Code Replacement Tool to define the same mapping.



- 1 Create a table definition file that contains a function definition. For example:

```
function hTable = crl_table_shift_left_fixpt_net_slope
```

- 2 Within the function body, create the table by calling the function `RTW.Tf1Table`.

```
hTable = RTW.Tf1Table;
```

- 3 Create the entry for the operator mapping with a call to the `RTW.Tf1COperationEntryGenerator_Netslope` function. This function provides access to the fixed-point parameters `NetSlopeAdjustmentFactor` and `NetFixedExponent`.

```
op_entry = RTW.Tf1COperationEntryGenerator_NetSlope;
```

- 4 Set operator entry parameters with a call to the `setTf1COperationEntryParameters` function. The parameters specify the type of operation as shift left, the saturation mode as saturate on integer overflow, rounding modes as toward negative infinity, and the name of the replacement function as `my_fxp_shift_left`. `NetSlopeAdjustmentFactor` and `NetFixedExponent` specify the F and E parts of the net slope  $F2^E$ .

```
InFL = 2;
InWL = 16;
InSgn = true;
OutFL = 4;
OutWL = 32;
OutSgn = true;
setTf1COperationEntryParameters(op_entry, ...
    'Key', 'RTW_OP_SL', ...
    'Priority', 50, ...
    'SaturationMode', 'RTW_SATURATE_ON_OVERFLOW', ...
    'RoundingModes', {'RTW_ROUND_FLOOR'}, ...
    'NetSlopeAdjustmentFactor', 1.0, ...
    'NetFixedExponent', (OutFL - InFL), ...
    'ImplementationName', 'my_fxp_shift_left', ...
    'ImplementationHeaderFile', 'some_hdr.h', ...
    'ImplementationSourceFile', 'some_hdr.c');
```

- 5 Create conceptual arguments `y1` and `u1`. There are multiple ways to set up the conceptual arguments. This example uses calls to the `createAndAddConceptualArg` function to create and add an argument with one function call. Each argument is specified as fixed-point and signed. Each argument specifies that code replacement request processing does *not* check for an exact match to the call-site slope and bias values.

```
createAndAddConceptualArg(op_entry, 'RTW.Tf1ArgNumeric', ...
    'Name', 'y1', ...
    'IOType', 'RTW_IO_OUTPUT', ...
    'CheckSlope', false, ...
```

```

    'CheckBias', false, ...
    'DataTypeMode', 'Fixed-point: binary point scaling', ...
    'IsSigned', OutSgn, ...
    'WordLength', OutWL, ...
    'FractionLength', OutFL);

createAndAddConceptualArg(op_entry, 'RTW.Tf1ArgNumeric', ...
    'Name', 'u1', ...
    'IOType', 'RTW_IO_INPUT', ...
    'CheckSlope', false, ...
    'CheckBias', false, ...
    'DataTypeMode', 'Fixed-point: binary point scaling', ...
    'IsSigned', InSgn, ...
    'WordLength', InWL, ...
    'FractionLength', InFL);

```

- 6 Create the implementation arguments. There are multiple ways to set up the implementation arguments. This example uses calls to the `createAndSetCImplementationReturn` and `createAndAddImplementationArg` functions to create and add implementation arguments to the entry. Implementation arguments must describe fundamental numeric data types (not fixed-point data types).

```

createAndSetCImplementationReturn(op_entry, 'RTW.Tf1ArgNumeric', ...
    'Name', 'y1', ...
    'IOType', 'RTW_IO_OUTPUT', ...
    'IsSigned', OutSgn, ...
    'WordLength', OutWL, ...
    'FractionLength', 0);

createAndAddImplementationArg(op_entry, 'RTW.Tf1ArgNumeric', ...
    'Name', 'u1', ...
    'IOType', 'RTW_IO_INPUT', ...
    'IsSigned', InSgn, ...
    'WordLength', InWL, ...
    'FractionLength', 0);

```

- 7 Create the `int8` argument as conceptual and implementation argument `u2`. This example uses calls to the `getTf1ArgFromString` and `addConceptualArg` functions to create the conceptual argument and add it to the entry. This argument specifies the number of bits to shift the previous input argument. Because the argument type is not relevant, type checking is disabled by setting the `CheckType` property to `false`. Convenience method `addArgument` specifies the argument as implementation input argument.

```

arg = getTf1ArgFromString(hTable, 'u2', 'uint8');
arg.CheckType = false;
addConceptualArg(op_entry, arg);
op_entry.Implementation.addArgument(arg);

```

- 8 Add the entry to a code replacement table with a call to the `addEntry` function.

```
addEntry(hTable, op_entry);
```

- 9 Save the table definition file. Use the name of the table definition function to name the file.

## Related Examples

- “Define Code Replacement Mappings” on page 24-42
- “Register Code Replacement Mappings” on page 24-68
- “Fixed-Point Operator Code Replacement” on page 24-198
- “Binary-Point-Only Scaling Code Replacement” on page 24-208
- “Slope Bias Scaling Code Replacement” on page 24-212
- “Net Slope Scaling Code Replacement” on page 24-216
- “Equal Slope and Zero Net Bias Code Replacement” on page 24-224
- “Data Type Conversions (Casts) and Operator Code Replacement” on page 24-228
- “Data Alignment for Code Replacement” on page 24-136
- “Remap Operator Output to Function Input” on page 24-195
- “Customize Code Match and Replacement for Scalar Operations” on page 24-238
- “Develop a Code Replacement Library” on page 24-26
- “Quick Start Library Development” on page 24-27
- “Optimize Generated Code By Developing and Using Code Replacement Libraries - Simulink®”

## More About

- “What Is Code Replacement?” on page 20-2
- “What Is Code Replacement Customization?” on page 24-3
- “Code You Can Replace From Simulink Models” on page 20-4
- “Code Replacement Match and Replacement Process” on page 24-22
- “Code Replacement Libraries” on page 20-23
- “Code Replacement Terminology” on page 20-25

## Customize Code Match and Replacement for Scalar Operations

This example shows how to create custom code replacement entries that add logic to the code match and replacement process for a scalar operation. Custom entries specify additional match criteria or modify the replacement function signature to meet application needs.

For example:

- When fraction lengths are within a specific range, replace an operator with a fixed-point implementation function.
- When a match occurs, modify the replacement function signature based on compile-time information, such as passing fraction-length values into the function.

This example modifies a fixed-point addition replacement such that the implementation function passes in the fraction lengths of the input and output data types as arguments.

To create custom code replacement entries that add logic to the code replacement match and replacement process:

- 1 Create a class, for example `Tf1CustomOperationEntry`, that is derived from the base class `RTW.Tf1COperationEntryML`. The derived class defines a `do_match` method with the following signature:

```
function ent = do_match(hThis, ...
    hCSO, ...
    targetBitPerChar, ...
    targetBitPerShort, ...
    targetBitPerInt, ...
    targetBitPerLong, ...
    targetBitPerLongLong)
```

In the `do_match` signature:

- `ent` is the return handle, which is returned as empty (indicating that the match failed) or as a `Tf1COperationEntry` handle.
- `hThis` is the handle to the class instance.
- `hCSO` is a handle to an object that the code generator creates for querying the library for a replacement.
- Remaining arguments are the number of bits for various data types of the current target.

The `do_match` method adds match criteria that the base class does not provide. The method makes modifications to the implementation signature. In this case, the `do_match` method relies on the base class for checking word size and signedness. `do_match` must match only the number of conceptual arguments to the value 3 (two inputs and one output) and the bias for each argument to value 0. If the code generator finds a match, `do_match`:

- Sets the return handle.
- Removes slope and bias wild cards from the conceptual arguments (the match is for specific slope and bias values).
- Writes fraction-length values for the inputs and output into replacement function arguments 3, 4, and 5.

You can create and add three additional implementation function arguments for passing fraction lengths in the class definition or in each code replacement entry definition that instantiates this class. This example creates the arguments, adds them to a code replacement table definition file, and sets them to specific values in the class definition code.

```

classdef TflCustomOperationEntry < RTW.TflCOperationEntryML
    methods
        function ent = do_match(hThis, ...
            hCSO, ... %#ok
            targetBitPerChar, ... %#ok
            targetBitPerShort, ... %#ok
            targetBitPerInt, ... %#ok
            targetBitPerLong, ... %#ok
            targetBitPerLongLong) %#ok

            % DO_MATCH - Create a custom match function. The base class
            % checks the types of the arguments prior to calling this
            % method. This class will check additional data and can
            % modify the implementation function.

            % The base class checks word size and signedness. Slopes and biases
            % have been wildcarded, so the only additional checking to do is
            % to check that the biases are zero and that there are only three
            % conceptual arguments (one output, two inputs)

            ent = []; % default the return to empty, indicating the match failed

            if length(hCSO.ConceptualArgs) == 3 && ...
                hCSO.ConceptualArgs(1).Type.Bias == 0 && ...
                hCSO.ConceptualArgs(2).Type.Bias == 0 && ...
                hCSO.ConceptualArgs(3).Type.Bias == 0

                % Modify the default implementation. Since this is a
    
```

```

% generator entry, a concrete entry is created using this entry
% as a template. The type of entry being created is a standard
% TflCOperationEntry. Using the standard operation entry
% provides required information, and you do not need
% a custom match function.
ent = RTW.TflCOperationEntry(hThis);

% Since this entry is modifying the implementation for specific
% fraction-length values (arguments 3, 4, and 5), the conceptual argument
% wild cards must be removed (the wildcards were inherited from the
% generator when it was used as a template for the concrete entry).
% This concrete entry is now for a specific slope and bias.
% hCSO holds the slope and bias values (created by the code generator).
for idx=1:3
    ent.ConceptualArgs(idx).CheckSlope = true;
    ent.ConceptualArgs(idx).CheckBias = true;

    % Set the specific Slope and Biases
    ent.ConceptualArgs(idx).Type.Slope = hCSO.ConceptualArgs(idx).Type.Slope;
    ent.ConceptualArgs(idx).Type.Bias = 0;
end

% Set the fraction-length values in the implementation function.
ent.Implementation.Arguments(3).Value = ...
    -1.0*hCSO.ConceptualArgs(2).Type.FixedExponent;
ent.Implementation.Arguments(4).Value = ...
    -1.0*hCSO.ConceptualArgs(3).Type.FixedExponent;
ent.Implementation.Arguments(5).Value = ...
    -1.0*hCSO.ConceptualArgs(1).Type.FixedExponent;
end
end
end
end

```

Exit the class folder and return to the previous working folder.

- 2 Create and save the following code replacement table definition file, `crl_table_custom_sinfcn_double.m`. This file defines a code replacement table that contains a single operator entry, an entry generator for unsigned 32-bit fixed-point addition operations, with arbitrary fraction-length values on the inputs and the output. The table entry:

- Instantiates the derived class `TflCustomOperationEntry` from the previous step. If you want to replace word sizes and signedness attributes, you can use the same derived class, but not the same entry, because you cannot use a wild card with the `WordLength` and `IsSigned` arguments. For example, to support `uint8`, `int8`, `uint16`, `int16`, and `int32`, add five other distinct entries. To use different implementation functions for saturation and rounding modes other than overflow and round to floor, add entries for those match permutations.

- Sets operator entry parameters with the call to the `setTflCOperationEntryParameters` function.
- Calls the `createAndAddConceptualArg` function to create conceptual arguments `y1`, `u1`, and `u2`.
- Calls `createAndSetCImplementationReturn` and `createAndAddImplementationArg` to define the signature for the replacement function. Three of the calls to `createAndAddImplementationArg` create implementation arguments to hold the fraction-length values for the inputs and output. Alternatively, the entry can omit those argument definitions. Instead, the `do_match` method of the derived class `TflCustomOperationEntry` can create and add the three implementation arguments. When the number of additional implementation arguments required can vary based on compile-time information, use the alternative approach.
- Calls `addEntry` to add the entry to a code replacement table.

```
function hTable = crl_table_custom_add_ufix32

hTable = RTW.TflTable;

%% Add TflCustomOperationEntry
op_entry = TflCustomOperationEntry;

setTflCOperationEntryParameters(op_entry, ...
    'Key', 'RTW_OP_ADD', ...
    'Priority', 30, ...
    'SaturationMode', 'RTW_SATURATE_ON_OVERFLOW', ...
    'RoundingModes', {'RTW_ROUND_FLOOR'}, ...
    'ImplementationName', 'myFixptAdd', ...
    'ImplementationHeaderFile', 'myFixptAdd.h', ...
    'ImplementationSourceFile', 'myFixptAdd.c');

createAndAddConceptualArg(op_entry, 'RTW.TflArgNumeric', ...
    'Name', 'y1', ...
    'IOType', 'RTW_IO_OUTPUT', ...
    'CheckSlope', false, ...
    'CheckBias', false, ...
    'DataType', 'Fixed', ...
    'Scaling', 'BinaryPoint', ...
    'IsSigned', false, ...
    'WordLength', 32);
```

```
createAndAddConceptualArg(op_entry, 'RTW.TflArgNumeric', ...
    'Name', 'u1', ...
    'IOType', 'RTW_IO_INPUT', ...
    'CheckSlope', false, ...
    'CheckBias', false, ...
    'DataType', 'Fixed', ...
    'Scaling', 'BinaryPoint', ...
    'IsSigned', false, ...
    'WordLength', 32);

createAndAddConceptualArg(op_entry, 'RTW.TflArgNumeric', ...
    'Name', 'u2', ...
    'IOType', 'RTW_IO_INPUT', ...
    'CheckSlope', false, ...
    'CheckBias', false, ...
    'DataType', 'Fixed', ...
    'Scaling', 'BinaryPoint', ...
    'IsSigned', false, ...
    'WordLength', 32);

% Specify replacement function signature
createAndSetCImplementationReturn(op_entry, 'RTW.TflArgNumeric', ...
    'Name', 'y1', ...
    'IOType', 'RTW_IO_OUTPUT', ...
    'IsSigned', false, ...
    'WordLength', 32, ...
    'FractionLength', 0);

createAndAddImplementationArg(op_entry, 'RTW.TflArgNumeric', ...
    'Name', 'u1', ...
    'IOType', 'RTW_IO_INPUT', ...
    'IsSigned', false, ...
    'WordLength', 32, ...
    'FractionLength', 0);

createAndAddImplementationArg(op_entry, 'RTW.TflArgNumeric', ...
    'Name', 'u2', ...
    'IOType', 'RTW_IO_INPUT', ...
    'IsSigned', false, ...
    'WordLength', 32, ...
    'FractionLength', 0);

% Add 3 fraction-length args. Actual values are set during code generation.
createAndAddImplementationArg(op_entry, 'RTW.TflArgNumericConstant', ...
```



```

        'Name',          'fl_in1', ...
        'IOType',       'RTW_IO_INPUT', ...
        'IsSigned',     false, ...
        'WordLength',   32, ...
        'FractionLength', 0, ...
        'Value',        0);

createAndAddImplementationArg(op_entry, 'RTW.Tf1ArgNumericConstant', ...
    'Name',          'fl_in2', ...
    'IOType',       'RTW_IO_INPUT', ...
    'IsSigned',     false, ...
    'WordLength',   32, ...
    'FractionLength', 0, ...
    'Value',        0);

createAndAddImplementationArg(op_entry, 'RTW.Tf1ArgNumericConstant', ...
    'Name',          'fl_out', ...
    'IOType',       'RTW_IO_INPUT', ...
    'IsSigned',     false, ...
    'WordLength',   32, ...
    'FractionLength', 0, ...
    'Value',        0);

addEntry(hTable, op_entry);

```

### 3 Check the validity of the operator entry.

- At the command prompt, invoke the table definition file.
 

```
tbl = crl_table_custom_sinfcn_double
```
- In the Code Replacement Viewer, view the table definition file.
 

```
crviewer(crl_table_custom_sinfcn_double)
```

## Customize Code Match and Replacement for Nonscalar Operations

This example shows how to create custom code replacement entries that add logic to the code match and replacement process for a nonscalar operation. Custom entries specify additional match criteria or modify the replacement function signature to meet application needs.

This example restricts the match criteria for an element-wise multiplication replacement to entries with a specific dimension range. When a match occurs, the custom `do_match` method modifies the replacement signature to pass the number of elements into the function.

Files for developing and testing this code replacement library example are available in `matlab/help/toolbox/ecoder/examples/code_replacement/custom_lemmult`:

- `do_match` method — `@MyElemMultEntry/MyElemMultEntry.m`
- Replacement function source and header files — `src/myMulImplLib.c` and `src/myMulImplLib.h`
- Model — `myElemMul.slx`
- Code replacement table definition — `myElemMultCr1Table.m`
- Registration file — `rtwTargetInfo.m`

To create custom code replacement entries that add logic to the code replacement match and replacement process:

- 1 Create a class, for example `MyElemMultEntry`, which is derived from the base class `RTW.Tf1COperationEntryML`. The derived class defines a `do_match` method with the following signature:

```
function ent = do_match(hThis, ...
    hCSO, ...
    targetBitPerChar, ...
    targetBitPerShort, ...
    targetBitPerInt, ...
    targetBitPerLong, ...
    targetBitPerLongLong)
```

In the `do_match` signature:

- `ent` is the return handle, which is returned as empty (indicating that the match failed) or as a `Tf1COperationEntry` handle.

- `hThis` is the handle to the derived instance.
- `hCSO` is a handle to an object that the code generator creates for querying the library for a replacement.
- Remaining arguments are the number of bits for various data types of the current target.

The `do_match` method:

- Adds match criteria that the base class does not provide.
- Makes changes to the implementation signature.

The `do_match` method relies on the base class for checking data types and dimension ranges. If the code generator finds a match, `do_match`:

- Sets the return handle.
- Uses the conceptual arguments to compute the number of elements in the array. In the replacement entry returned, sets the value of the constant implementation argument as the number of elements of the array.
- Updates the code replacement entry such that it matches CSOs that have the same argument dimensions.

```
classdef MyElemMulyEntry < RTW.Tf1COperationEntryML
    methods
        function obj = MyElemMultEntry(varargin)
            mlock;
            obj@RTW.Tf1COperationEntryML(varargin{:});
        end

        function ent = do_match(hThis, ...
            hCSO, ... %#ok
            targetBitPerChar, ... %#ok
            targetBitPerShort, ... %#ok
            targetBitPerInt, ... %#ok
            targetBitPerLong, ... %#ok
            targetBitPerLongLong ) %#ok

            % Fourth implementation arg represents number of elements for producing matches.
            assert(strcmp(hThis.Implementation.Arguments(4).Name,'numElements'));

            ent = RTW.Tf1COperationEntry(hThis);

            % Calculate number of elements and set value of injected constant.
            ent.Implementation.Arguments(4).Value = prod(hCSO.ConceptualArgs(1).DimRange(1,:));

            % Since implementation has been modified for specific DimRange, update
            % returned entry to match similar CSOs only.
```

```

        for idx =1:3
            ent.ConceptualArgs(idx).DimRange = hCSO.ConceptualArgs(idx).DimRange;
        end
    end
end
end
end

```

- 2 Create and save the following code replacement table definition file, `myElemMultCr1Table.m`. This file defines a code replacement table that contains an operator entry generator for element-wise multiplication. The table entry:

- Instantiates the derived class `myElemMultEntry` from the previous step.
- Sets operator entry parameters with the call to the `setTf1COperationEntryParameters` function.
- Creates conceptual arguments `y1`, `u1`, and `u2`. The argument class `RTW.Tf1ArgMatrix` specifies matrix arguments to match. The three arguments are set up to match 2-dimensional matrices with at least two elements in each dimension.
- Calls the `getTf1ArgFromString` function to create a return value and four implementation arguments. Arguments `u1` and `u2` are the operands, `y1` is the product, and the fourth argument is the number of elements.

Alternatively, the `do_match` method of the derived class `myElemMultEntry` can create and add the implementation arguments. When the number of additional implementation arguments required can vary based on compile-time information, use the alternative approach.

- Calls `addEntry` to add the entry to a code replacement table.

```

function hLib = myElemMultCr1Table

libPath = fullfile(fileparts(which(mfilename)), 'src');

hLib = RTW.Tf1Table;
%----- entry: RTW_OP_ELEM_MUL -----
hEnt = MyElemMultEntry;
hEnt.setTf1COperationEntryParameters( ...
    'Key', 'RTW_OP_ELEM_MUL', ...
    'Priority', 100, ...
    'SaturationMode', 'RTW_WRAP_ON_OVERFLOW', ...
    'ImplementationName', 'myElemMul_s32', ...
    'ImplementationSourceFile', 'myMulImplLib.c', ...
    'ImplementationSourcePath', libPath, ...
    'ImplementationHeaderFile', 'myMulImplLib.h', ...

```

```

        'ImplementationHeaderPath', libPath, ...
        'SideEffects', true, ...
        'GenCallback', 'RTW.copyFileToBuildDir');

% Conceptual Args

arg = RTW.Tf1ArgMatrix('y1', 'RTW_IO_OUTPUT', 'int32');
arg.DimRange = [2 2; Inf Inf];
hEnt.addConceptualArg(arg);

arg = RTW.Tf1ArgMatrix('u1', 'RTW_IO_INPUT', 'int32');
arg.DimRange = [2 2; Inf Inf];
hEnt.addConceptualArg(arg);

arg = RTW.Tf1ArgMatrix('u2', 'RTW_IO_INPUT', 'int32');
arg.DimRange = [2 2; Inf Inf];
hEnt.addConceptualArg(arg);

% Implementation Args

arg = hEnt.getTf1ArgFromString('unused','void');
arg.IOType = 'RTW_IO_OUTPUT';
hEnt.Implementation.setReturn(arg);

arg = hEnt.getTf1ArgFromString('u1','int32*');
hEnt.Implementation.addArgument(arg);

arg = hEnt.getTf1ArgFromString('u2','int32*');
hEnt.Implementation.addArgument(arg);

arg = hEnt.getTf1ArgFromString('y1','int32*');
arg.IOType = 'RTW_IO_OUTPUT';
hEnt.Implementation.addArgument(arg);

arg = hEnt.getTf1ArgFromString('numElements','uint32',0);
hEnt.Implementation.addArgument(arg);

hLib.addEntry( hEnt );

```

### 3 Check the validity of the code replacement table entry.

- At the command prompt, invoke the table definition file.
 

```
tbl = myElemMultCr1Table
```
- In the Code Replacement Viewer, view the table definition file.

```
crviewer(myElemMultCr1Table)
```

### Related Examples

- “Customize Match and Replacement Process” on page 24-161
- “Define Code Replacement Mappings” on page 24-42
- “Register Code Replacement Mappings” on page 24-68
- “Verify Code Replacements” on page 24-78
- “Develop a Code Replacement Library” on page 24-26

### More About

- “Code Replacement Match and Replacement Process” on page 24-22
- “Code Replacement Terminology” on page 20-25

# Code Replacement Customization for MATLAB Code

---

- “What Is Code Replacement Customization?” on page 25-3
- “Code You Can Replace from MATLAB Code” on page 25-4
- “Code Replacement Match and Replacement Process” on page 25-14
- “Code Replacement Customization Limitations” on page 25-15
- “Develop a Code Replacement Library” on page 25-16
- “Quick Start Library Development” on page 25-17
- “Identify Code Replacement Requirements” on page 25-27
- “Prepare for Code Replacement Library Development” on page 25-30
- “Define Code Replacement Mappings” on page 25-31
- “Specify Build Information for Replacement Code” on page 25-48
- “Register Code Replacement Mappings” on page 25-57
- “Troubleshoot Code Replacement Library Registration” on page 25-65
- “Code Replacement Hits and Misses” on page 25-66
- “Review and Test Code Replacements” on page 25-67
- “Troubleshoot Code Replacement Misses” on page 25-76
- “Deploy Code Replacement Library” on page 25-84
- “Math Function Code Replacement” on page 25-85
- “Memory Function Code Replacement” on page 25-87
- “Specify In-Place Code Replacement” on page 25-89
- “Replace MATLAB Functions with Custom Code Using `coder.replace`” on page 25-96
- “Replace `coder.ceval` Calls to External Functions” on page 25-97
- “Reserved Identifiers and Code Replacement” on page 25-103

- “Customize Match and Replacement Process” on page 25-105
- “Scalar Operator Code Replacement” on page 25-107
- “Addition and Subtraction Operator Code Replacement” on page 25-109
- “Small Matrix Operation to Processor Code Replacement” on page 25-114
- “Matrix Multiplication Operation to MathWorks BLAS Code Replacement” on page 25-118
- “Matrix Multiplication Operation to ANSI/ISO C BLAS Code Replacement” on page 25-125
- “Remap Operator Output to Function Input” on page 25-132
- “Fixed-Point Operator Code Replacement” on page 25-135
- “Binary-Point-Only Scaling Code Replacement” on page 25-144
- “Slope Bias Scaling Code Replacement” on page 25-147
- “Net Slope Scaling Code Replacement” on page 25-150
- “Equal Slope and Zero Net Bias Code Replacement” on page 25-157
- “Data Type Conversions (Casts) and Operator Code Replacement” on page 25-160
- “Shift Left Operations and Code Replacement” on page 25-165
- “Customize Match and Replacement Process for Operators” on page 25-170



## What Is Code Replacement Customization?

Customize how and when the code generator replaces C/C++ code that it generates by default for functions and operators by developing a custom code replacement library. You can develop libraries interactively with the Code Replacement Tool or programmatically.

- Develop libraries tailored to specific application requirements
- Add identifiers to the list of reserved keywords the code generator considers during code replacement
- Customize the code generator’s match and replacement process for functions

To get started, “Quick Start Library Development” on page 24-27.

### Related Examples

- “Quick Start Library Development” on page 25-17
- “Develop a Code Replacement Library” on page 25-16

### More About

- “What Is Code Replacement?” on page 47-2
- “Code You Can Replace from MATLAB Code” on page 25-4
- “Code Replacement Libraries” on page 47-14
- “Code Replacement Terminology” on page 47-16
- “Code Replacement Customization Limitations” on page 25-15

## Code You Can Replace from MATLAB Code

Code that the code generator replaces depends on the code replacement library (CRL) that you use. By default, the code generator does not apply a code replacement library. Your choice of libraries is dependent on product licensing and whether you have access to custom libraries.

### In this section...

“Math Functions” on page 25-4

“Memory Functions” on page 25-9

“Operators” on page 25-9

## Math Functions

When generating C/C++ code from MATLAB code, depending on code replacement libraries available in your development environment, you can configure the code generator to replace instances of the following math functions with application-specific implementations.

Function	Data Type Support	Scalar, Vector, Matrix Support	Real, Complex Support
abs <sup>1</sup>	Floating point	Scalar	Real
acos	Floating point	Scalar Vector Matrix	Real Complex Complex input/complex output Real input/complex output
acosd	Floating point	Scalar Vector Matrix	Real Complex
acot	Floating point	Scalar Vector Matrix	Real Complex
acotd	Floating point	Scalar Vector Matrix	Real Complex
acoth	Floating point	Scalar	Real

Function	Data Type Support	Scalar, Vector, Matrix Support	Real, Complex Support
		Vector Matrix	Complex
acsc	Floating point	Scalar Vector Matrix	Real Complex
acscd	Floating point	Scalar Vector Matrix	Real Complex
acsch	Floating point	Scalar Vector Matrix	Real Complex
asec	Floating point	Scalar Vector Matrix	Real Complex
asecd	Floating point	Scalar Vector Matrix	Real Complex
asech	Floating point	Scalar Vector Matrix	Real Complex
asin	Floating point	Scalar Vector Matrix	Real Complex Complex input/complex output Real input/complex output
asind	Floating point	Scalar Vector Matrix	Real Complex
atan	Floating point	Scalar Vector Matrix	Real Complex Complex input/complex output Real input/complex output

Function	Data Type Support	Scalar, Vector, Matrix Support	Real, Complex Support
atan2	Floating point	Scalar Vector Matrix	Real
atan2d	Floating point	Scalar Vector Matrix	Real
atand	Floating point	Scalar Vector Matrix	Real Complex
cos	Floating point	Scalar Vector Matrix	Real Complex Complex input/complex output Real input/complex output
ceil	<ul style="list-style-type: none"> <li>• Floating-point</li> <li>• Scalar</li> </ul>	<ul style="list-style-type: none"> <li>• Floating-point</li> <li>• Scalar</li> </ul>	<ul style="list-style-type: none"> <li>• Floating-point</li> <li>• Scalar</li> </ul>
cosd	Floating point	Scalar Vector Matrix	Real Complex
cosh	Floating point	Scalar Vector Matrix	Real Complex Complex input/complex output Real input/complex output
cot	Floating point	Scalar Vector Matrix	Real Complex
cotd	Floating point	Scalar Vector Matrix	Real Complex
coth	Floating point	Scalar Vector Matrix	Real Complex

Function	Data Type Support	Scalar, Vector, Matrix Support	Real, Complex Support
csc	Floating point	Scalar Vector Matrix	Real Complex
cscd	Floating point	Scalar Vector Matrix	Real Complex
csch	Floating point	Scalar Vector Matrix	Real Complex
exp	Floating point	Scalar	Real
fix	Floating point	Scalar	Real
floor	<ul style="list-style-type: none"> <li>• Floating-point</li> <li>• Scalar</li> </ul>	<ul style="list-style-type: none"> <li>• Floating-point</li> <li>• Scalar</li> </ul>	<ul style="list-style-type: none"> <li>• Floating-point</li> <li>• Scalar</li> </ul>
hypot	Floating point	Scalar Vector Matrix	Real
ldexp	Floating point	Scalar	Real
log	Floating point	Scalar Vector Matrix	Real Complex
log10	Floating point	Scalar Vector Matrix	Real Complex
log2	Floating point	Scalar Vector Matrix	Real Complex
max	Integer Floating point	Scalar	Real
min	Integer Floating point	Scalar	Real
pow	Floating point	Scalar	Real

Function	Data Type Support	Scalar, Vector, Matrix Support	Real, Complex Support
rem	Floating point	Scalar	Real
round	Floating point	Scalar	Real
sec	Floating point	Scalar Vector Matrix	Real Complex
secd	Floating point	Scalar Vector Matrix	Real Complex
sech	Floating point	Scalar Vector Matrix	Real Complex
sign	Floating point	Scalar	Real
sin	Floating point	Scalar Vector Matrix	Real Complex Complex input/complex output Real input/complex output
sind	Floating point	Scalar Vector Matrix	Real Complex
sinh	Floating point	Scalar Vector Matrix	Real Complex Complex input/complex output Real input/complex output
sqrt	Floating point	Scalar	Real
tan	Floating point	Scalar Vector Matrix	Real Complex Complex input/complex output Real input/complex output
tand	Floating point	Scalar Vector Matrix	Real Complex

Function	Data Type Support	Scalar, Vector, Matrix Support	Real, Complex Support
tanh	Floating point	Scalar Vector Matrix	Real Complex Complex input/complex output Real input/complex output
<sup>1</sup> Wrap on integer overflow only			

## Memory Functions

Depending on code replacement libraries available in your development environment, you can configure the code generator to replace instances of the following memory functions with application-specific implementations.

Function	Data Type Support	Scalar, Vector, Matrix Support	Real, Complex Support
memcmp	Void pointer (void*)	Scalar Vector Matrix	Real Complex
memcpy	Void pointer (void*)	Scalar Vector Matrix	Real Complex
memset	Void pointer (void*)	Scalar Vector Matrix	Real Complex
memset2zero	Void pointer (void*)	Scalar Vector Matrix	Real Complex

Some target processors provide optimized functions to set memory to zero. Use the code replacement library programming interface to replace the `memset2zero` function with more efficient target-specific functions.

## Operators

When generating C/C++ code from MATLAB code, depending on code replacement libraries available in your development environment, you can configure the code

generator to replace instances of the following operators with application-specific implementations.

Mixed data type support indicates you can specify different data types of different inputs.

<b>Operator</b>	<b>Key</b>	<b>Data Type Support</b>	<b>Scalar, Vector, Matrix Support</b>	<b>Real, Complex Support</b>
Addition (+)	RTW_OP_ADD	Integer Floating point Fixed-point Mixed	Scalar Vector Matrix	Real Complex
Subtraction (-)	RTW_OP_MINUS	Integer Floating point Fixed-point Mixed	Scalar Vector Matrix	Real Complex
Multiplication (*) <sup>1</sup>	RTW_OP_MUL	Integer Floating point Fixed-point Mixed	Scalar Vector Matrix	Real Complex
Division (/)	RTW_OP_DIV	Integer Floating point Fixed-point Mixed	Scalar	Real Complex
Data type conversion (cast)	RTW_OP_CAST	Integer Floating point <sup>2</sup> Fixed-point Mixed	Scalar Vector Matrix	Real Complex
Shift left (<<)	RTW_OP_SL	Integer Fixed-point Mixed	Scalar Vector Matrix	Real
Shift right arithmetic (>>) <sup>3</sup>	RTW_OP_SRA	Integer Fixed-point Mixed	Scalar Vector Matrix	Real
Shift right logical (>>)	RTW_OP_SRL	Integer Fixed-point	Scalar Vector	Real



Operator	Key	Data Type Support	Scalar, Vector, Matrix Support	Real, Complex Support
		Mixed	Matrix	
Element-wise matrix multiplication ( $\cdot$ $\ast$ ) <sup>4</sup>	RTW_OP_ELEM_MUL	Integer Floating point Fixed-point Mixed	Vector Matrix	Real Complex
Complex conjugation	RTW_OP_CONJUGATE	Integer Floating point Fixed-point Mixed	Scalar Vector Matrix	Real Complex
Transposition ( $\cdot$ $\prime$ )	RTW_OP_TRANS	Integer Floating point Fixed-point Mixed	Vector Matrix	Real Complex
Hermitian (complex conjugate) transposition ( $\prime$ )	RTW_OP_HERMITIAN	Integer Floating point Fixed-point Mixed	Vector Matrix	Real Complex
Multiplication with transposition <sup>1</sup>	RTW_OP_TRMUL	Integer Floating point Fixed-point Mixed	Vector Matrix	Real Complex
Multiplication with Hermitian transposition <sup>1</sup>	RTW_OP_HMMUL	Integer Floating point Fixed-point Mixed	Vector Matrix	Real Complex
Greater than ( $>$ )	RTW_OP_GREATER_THAN	Integer Floating point Fixed-point Mixed	Scalar Vector Matrix	Real Complex
Greater than or equal ( $>=$ )	RTW_OP_GREATER_THAN_OR_EQUAL	Integer Floating point Fixed-point Mixed	Scalar Vector Matrix	Real Complex

Operator	Key	Data Type Support	Scalar, Vector, Matrix Support	Real, Complex Support
Less than (<)	RTW_OP_LESS_THAN	Integer Floating point Fixed-point Mixed	Scalar Vector Matrix	Real Complex
Less than or equal (<=)	RTW_OP_LESS_THAN_OR_EUQAL	Integer Floating point Fixed-point Mixed	Scalar Vector Matrix	Real Complex
Equal (==)	RTW_OP_EUQAL	Integer Floating point Fixed-point Mixed	Scalar Vector Matrix	Real Complex
Not equal (!=)	RTW_OP_NOT_EUQAL	Integer Floating point Fixed-point Mixed	Scalar Vector Matrix	Real Complex
<p><sup>1</sup> Can map to Basic Linear Algebra Subroutine (BLAS) multiplication functions.</p> <p><sup>2</sup> Scaled floating point is not supported.</p> <p><sup>3</sup> Code replacement libraries that provide arithmetic shift right implementations should also provide logical shift right implementations, because some arithmetic shift rights are converted to logical shift rights during code generation.</p> <p><sup>4</sup> Use the multiplication (*) operator (RTW_OP_MUL) for scalar multiplication.</p>				

## Related Examples

- “Quick Start Library Development” on page 25-17
- “Develop a Code Replacement Library” on page 25-16
- “Choose a Code Replacement Library” on page 47-23

## **More About**

- “What Is Code Replacement?” on page 47-2
- “What Is Code Replacement Customization?” on page 25-3
- “Code Replacement Libraries” on page 47-14
- “Code Replacement Terminology” on page 47-16
- “Code Replacement Customization Limitations” on page 25-15

## Code Replacement Match and Replacement Process

When the code generator encounters a call site for a function or operator, it:

- 1 Creates and partially populates a code replacement entry object with the function or operator name or key and conceptual arguments.
- 2 Uses the entry object to query the configured code replacement library for a conceptual representation match. The code generator searches the tables in a code replacement library for a match in the order that the tables appear in the library. When searching for a match, the code generator takes into account:
  - Conceptual name or key
  - Arguments, including quantity, type, type qualifiers, and complexity
  - Algorithm (computation method)
  - Fixed-point saturation and rounding modes
  - Priority
- 3 When a match exists, the code generator returns a code replacement object, fully populated with the conceptual representation, implementation representation, and priority. If the code generator finds multiple matches within a table, the entry priority determines the match. The priority can range from 0 to 100. The highest priority is 0. The code generator uses a higher-priority entry over a similar entry with a lower priority.
- 4 Uses the C or C++ replacement function prototype in the code replacement object to generate code.

### Related Examples

- “Customize Match and Replacement Process” on page 25-105
- “Customize Match and Replacement Process for Operators” on page 25-170
- Replacing Math Functions and Operators

### More About

- “Code Replacement Libraries” on page 47-14
- “Code Replacement Terminology” on page 47-16

## Code Replacement Customization Limitations

- Code replacement verification — It is possible that code replacement behaves differently than you expect. For example, data types that you observe in code generator input might not match what the code generator uses as intermediate data types during an operation. Verify code replacements by examining generated code. See “Review and Test Code Replacements” on page 25-67.
- Tokens in file paths—You can include tokens in file paths when specifying build information for a code replacement entry by using the programming interface only. The ability to include tokens is not available from the Code Replacement Tool. See “Specify Build Information for Replacement Code” on page 25-48.
- Addition and subtraction operation replacements—See “Addition and Subtraction Operator Code Replacement” on page 25-109 for relevant limitations.
- `coder.replace` function — See `coder.replace` for relevant limitations.

### Related Examples

- “Review and Test Code Replacements” on page 25-67
- “Specify Build Information for Replacement Code” on page 25-48
- “Replace MATLAB Functions with Custom Code Using `coder.replace`” on page 25-96
- “Develop a Code Replacement Library” on page 25-16
- “Quick Start Library Development” on page 25-17

### More About

- “Code Replacement Libraries” on page 47-14
- “Code Replacement Terminology” on page 47-16

## Develop a Code Replacement Library

- 1 “Identify Code Replacement Requirements” on page 25-27
- 2 “Prepare for Code Replacement Library Development” on page 25-30
- 3 “Define Code Replacement Mappings” on page 25-31
- 4 “Specify Build Information for Replacement Code” on page 25-48
- 5 “Register Code Replacement Mappings” on page 25-57
- 6 “Review and Test Code Replacements” on page 25-67
- 7 “Deploy Code Replacement Library” on page 25-84

### Related Examples

- “Replace MATLAB Functions with Custom Code Using `coder.replace`” on page 25-96
- Replacing Math Functions and Operators

### More About

- “What Is Code Replacement?” on page 47-2
- “What Is Code Replacement Customization?” on page 25-3
- “Code You Can Replace from MATLAB Code” on page 25-4
- “Code Replacement Libraries” on page 47-14
- “Code Replacement Terminology” on page 47-16
- “Code Replacement Customization Limitations” on page 25-15

# Quick Start Library Development

This example shows how to develop a code replacement library that includes an entry for generating replacement code for the math function `sin`. You use the Code Replacement Tool.

## Prerequisites

To complete this example, install the following software:

- MATLAB
- MATLAB Coder
- Embedded Coder
- C compiler

For instructions on installing MathWorks products, see “Installation and Activation”. If you have installed MATLAB and want to see what other MathWorks products are installed, in the Command Window, enter `ver`.

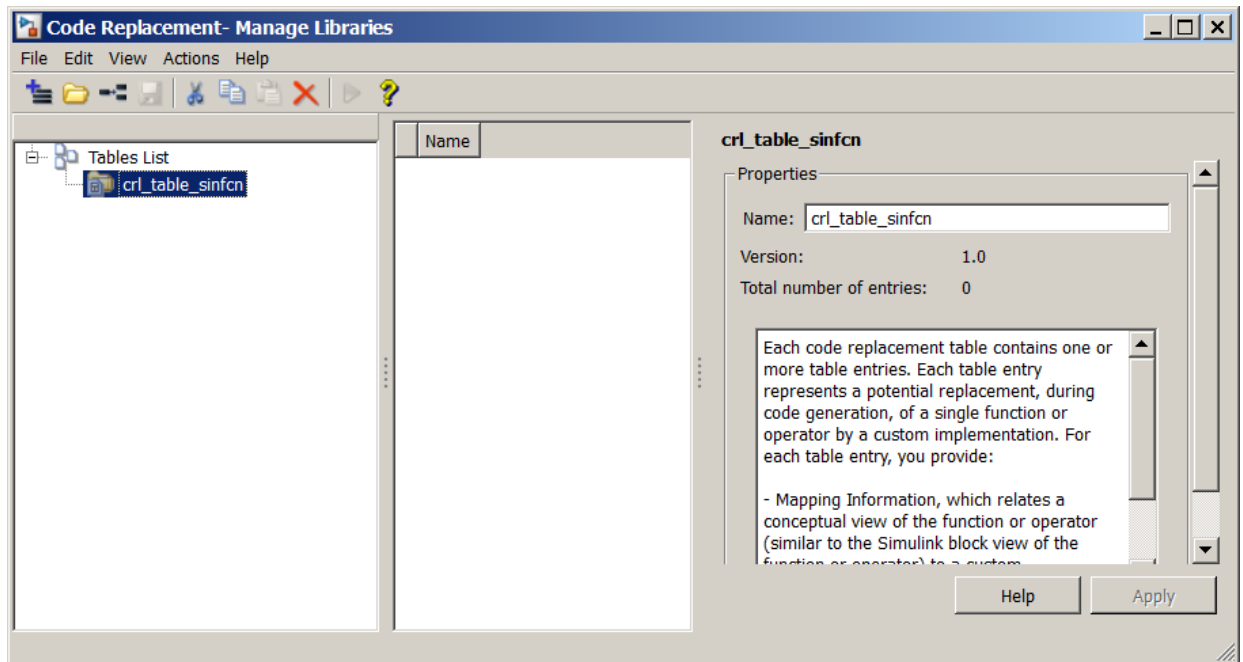
For a list of supported compilers, see [http://www.mathworks.com/support/compilers/current\\_release/](http://www.mathworks.com/support/compilers/current_release/).

## Open the Code Replacement Tool

- 1 Start a new MATLAB session.
- 2 Create or navigate (`cd`) to an empty folder.
- 3 At the command prompt, enter the `crtool` command. The Code Replacement Tool window opens.

## Create Code Replacement Table

- 1 In the Code Replacement Tool window, select **File > New table**.
- 2 In the right pane, name the table `crl_table_sinfcn` and click **Apply**. Later, when you save the table, the tool saves it with the file name `crl_table_sinfcn.m`.



### Create Table Entry

Create a table entry that maps a `sin` function with `double` input and `double` output to a custom implementation function.

- 1 In the left pane, select table `crl_table_sinfcn`. Then, select **File > New entry > Function**. The new entry appears in the middle pane, initially without a name.
- 2 In the middle pane, select the new entry.
- 3 In the right pane, on the **Mapping Information** tab, from the **Function** menu, select `sin`.
- 4 Leave **Algorithm** set to `Unspecified`, and leave parameters in the **Conceptual function** group set to default values.
- 5 In the **Replacement function** group, name the replacement function `sin_dbl`.
- 6 Leave the remaining parameters in the **Replacement function** group set to default values.



- 7 Click **Apply**. The tool updates the **Function signature preview** to reflect the specified replacement function name.
- 8 Scroll to the bottom of the **Mapping Information** tab and click **Validate entry**. The tool validates your entry.

The following figure shows the completed mapping information.

Mapping Information

Build Information

Function: sin

Entry information

Algorithm: Unspecified

Conceptual function

*Used by code generation process for matching purposes*

Conceptual arguments

y1  
u1

Argument properties

Data type: double

Complex

Argument type: Scalar

Make conceptual and implementation argument types the same

Replacement function

Function prototype

Name: sin\_dbl C++ namespace:

Function returns void

Function arguments

y1(return arg)  
u1

Argument properties

Data type: double I/O type: OUTPUT

Const  Pointer  Complex

X +

Function signature preview

`double sin_dbl( double u1 );`

Implementation attributes

Integer saturation mode: Unspecified Saturation

Rounding mode: Unspecified Rounding

Allow expressions as inputs

Function modifies internal or global state

[Click here to add Build Information](#)

Validation

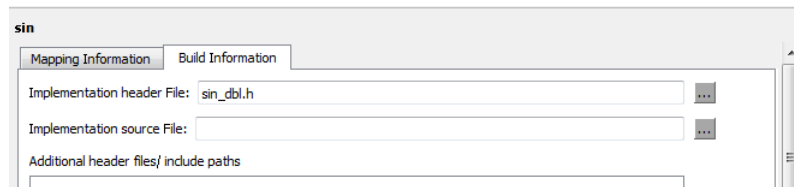
Validate entry Status: Validated

Help

Apply

### Specify Build Information for Replacement Code

- 1 On the **Build Information** tab, for the **Implementation header file** parameter, enter `sin_dbl.h`.
- 2 Leave the remaining parameters set to default values.
- 3 Click **Apply**.



- 4 Optionally, you can revalidate the entry. Return to the **Mapping Information** tab and click **Validate entry**.

### Create Another Table Entry

Create an entry that maps a `sin` function with `single` input and `double` output to a custom implementation function named `sin_sgl`. Create the entry by copying and pasting the `sin_dbl` entry.

- 1 In the middle pane, select the `sin_dbl` entry.
- 2 Select **Edit > Copy**
- 3 Select **Edit > Paste**
- 4 On the **Mapping Information** tab, in the **Conceptual function** section, set the data type of input argument `u1` to `single`.
- 5 In the **Replacement function** section, name the function `sin_sgl`. Set the data type of input argument `u1` to `single`.
- 6 Click **Apply**. Note the changes that appear for the **Function signature preview**.
- 7 On the **Build Information** tab, for the **Implementation header file** parameter, enter `sin_sgl.h`. Leave the remaining parameters set to default values and click **Apply**.

### Validate the Code Replacement Table

- 1 Select **Actions > Validate table**.

- 2 If the tool reports errors, fix them, and rerun the validation. Repeat fixing and validating errors until the tool does not report errors. The following figure shows a validation report.

Name	Implementation	NumIn	In1Type	In2Type	Out1Type	Out2Type	Priority
✓ sin	sin_dbl	1	double		double		100
✓ sin	sin_sgl	1	single		double		100

### Save the Code Replacement Table

Save the code replacement table to a MATLAB file in your working folder. Select **File > Save table**. By default, the tool uses the table name to name the file. For this example, the tool saves the table in the file `crl_table_sinfcn.m`.

### Review the Code Replacement Table Definition

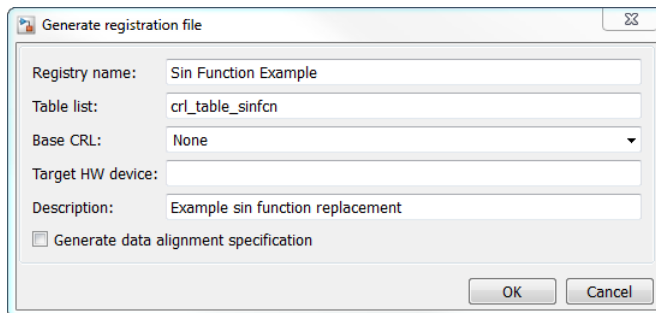
Consider reviewing the MATLAB code for your code replacement table definition. After using the tool to create an initial version of a table definition file, you can update, enhance, or copy the file in a text editor.

To review it, in MATLAB or another text editor, open the file `crl_table_sinfcn.m`.

### Generate a Registration File

Before you can use your code replacement table, you must register it as part of a code replacement library. Use the Code Replacement Tool to generate a registration file.

- 1 In the Code Replacement Tool, select **File > Generate registration file**.
- 2 In the **Generate registration file** dialog box, edit the dialog box fields to match the following figure, and then click **OK**.



- 3 In the **Select location** dialog box, specify a location for the registration file. The location must be on the MATLAB path or in the current working folder. Save the file. The tool saves the file as `rtwTargetInfo.m`.

### Register the Code Replacement Table

At the command prompt, enter:

```
RTW.TargetRegistry.getInstance('reset');
```

### Review and Test Code Replacements

Apply your code replacement library. Verify that the code generator makes code replacements that you expect.

- 1 Check for errors. At the command line, invoke the table definition file. For example:

```
tbl = crl_table_sinfcn
```

```
tbl =
```

```
Tf1Table with properties:
```

```

        Version: '1.0'
    ReservedSymbols: []
StringResolutionMap: []
        AllEntries: [2x1 RTW.Tf1CFunctionEntry]
        EnableTrace: 1

```

If an error exists in the definition file, the invocation triggers a message to appear. Fix the error and try again.

- 2 Use the Code Replacement Viewer to check your code replacement entries. For example:

```
crviewer('Sin Function Example')
```


In the viewer, select entries in your table and verify that the content is what you expect. The viewer can help you detect issues such as:

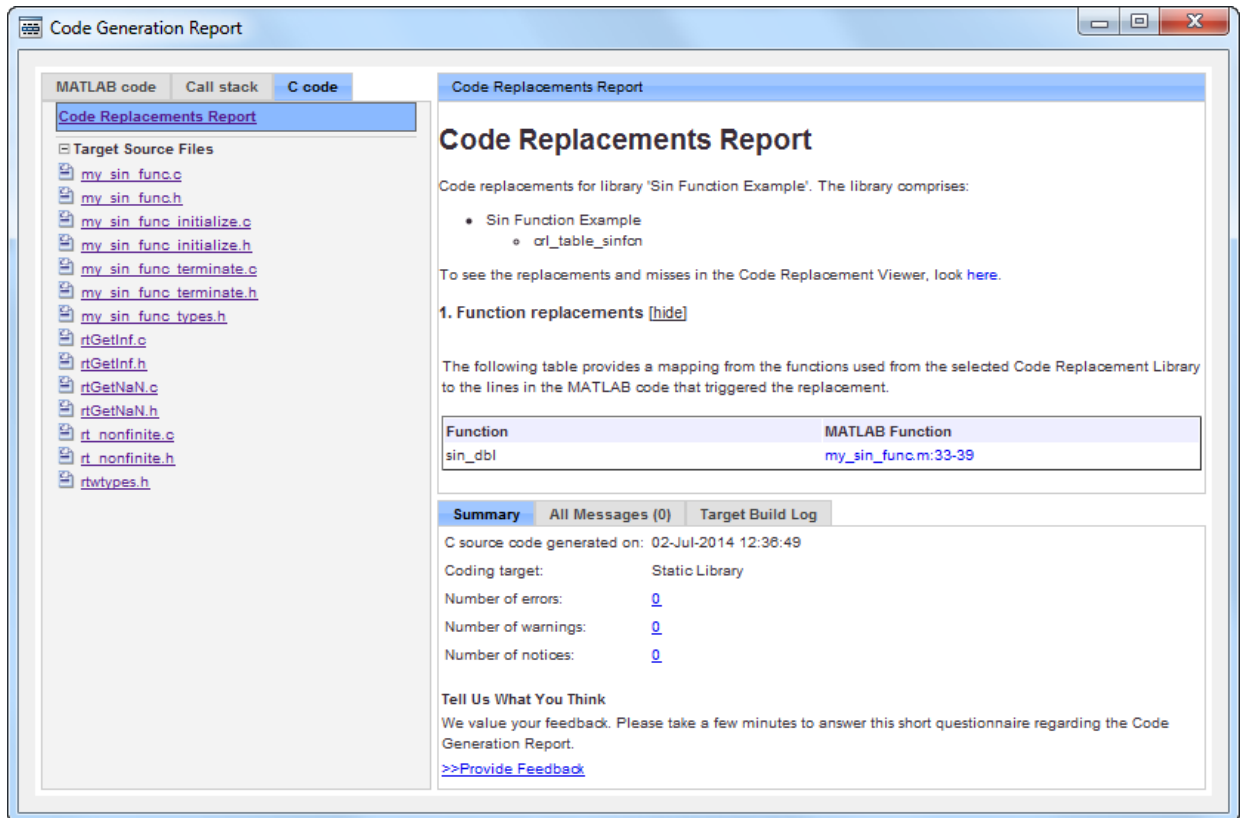
- Incorrect argument order.
- Conceptual argument names that do not match what is expected by the code generator.

- Incorrect priority settings.

- 3 Identify existing or create new MATLAB code that calls the `sin` function. For example:

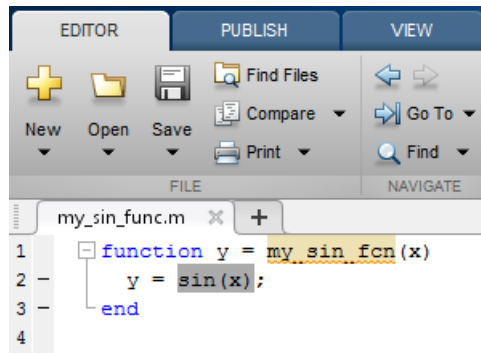
```
function y = my_sin_fnc(x)
    y = sin(x);
end
```

- 4 Open the MATLAB Coder app.
- 5 Add the function that includes a call to the `sin` function as an entry-point file. For example, add `my_sin_func.m`. The app creates a project named `my_sin_func.prj`.
- 6 Click **Next** to go to the **Define Input Type** step. Define the types for the entry-point function inputs.
- 7 Click **Next** to go to the **Check for Run-Time Issues** step. This step is optional. However, it is a best practice to perform this step. Provide a test file that calls your entry-point function. The app generates a MEX function from your entry-point function. Then, the app runs the test file, replacing calls to the MATLAB function with calls to the generated MEX function.
- 8 Click **Next** to go to the **Generate Code** step. To open the **Generate** dialog box, click the **Generate** arrow .
- 9 Set **Build type** to generate a library or executable.
- 10 Click **More Settings**.
- 11 Configure the code generator to use your code replacement library. On the **Custom Code** tab, set the **Code replacement library** parameter to the name of your library. For example, `Sin Function Example`.
- 12 Configure the code generation report. On the **Debugging** tab, set the **Always create a code generation report**, **Code replacements**, and **Automatically launch a report if one is generated** parameters.
- 13 Configure the code generator to generate code only. On the **Generate** dialog box, select the **Generate code only** check box. You want to review your code replacements in the generated code before building an executable.
- 14 Click **Generate** to generate C code and a report.
- 15 Review code replacement results in the Code Replacements Report section of the code generation report.



The report indicates that the code generator found a match and applied the replacement code for the function `sin_dbl`.

- Review the code replacements. In the report, under **Function replacements**, click the MATLAB function that triggered the replacement, `my_sin_func.m`. The MATLAB Editor opens and highlights the function call that triggers the code replacement.



### Related Examples

- “Develop a Code Replacement Library” on page 25-16
- Replacing Math Functions and Operators

### More About

- “What Is Code Replacement?” on page 47-2
- “What Is Code Replacement Customization?” on page 25-3
- “Code You Can Replace from MATLAB Code” on page 25-4
- “Code Replacement Libraries” on page 47-14
- “Code Replacement Terminology” on page 47-16
- “Code Replacement Customization Limitations” on page 25-15



## Identify Code Replacement Requirements

Consider the following types of requirements for your code replacement library.

In this section...
“Mapping Information Requirements” on page 25-37
“Build Information Requirements” on page 25-38
“Registration Information Requirements” on page 25-38

### Mapping Information Requirements

- Are you defining a code replacement mapping for the first time?
- Are you updating code replacement entries in an existing library? Or, are you creating a new library?
- Are you rapid prototyping code replacements?
- Can you base your mappings on existing mappings?
- What type of code do you want to replace? Options include:
  - Math operation
  - Function
  - BLAS operation
  - CBLAS operation
  - Net slope fixed-point operation
  - Semaphore or mutex functions
- Do you want to change the inline or nonfinite behavior for functions?
- What specific functions and operations do you want to replace?
- What input and output arguments does the function or operator that you are replacing take? For each argument, what is the data type, complexity, and dimensionality?
- What does the prototype for your replacement code look like?
  - What is the replacement function name?
  - What are the input and output arguments?
  - Are there return values?

- What is the data type, complexity, and dimensionality of each argument and return value?

## **Build Information Requirements**

- Does your replacement function implementation require a header file? If yes, specify the header file.
- If the replacement function implementation requires a header file, what is the path for that file?
- Is the source file for the replacement function in your working folder? If not, you can explicitly specify the source file name and extension. For example, if the file is required in the generated makefile or specified in a build information object, specify the source file.
- Does the replacement function use additional include files? If yes, what are they and what are the paths for those files?
- Does the replacement function use additional source files? If yes, what are they and what are the paths for those files?
- What compiler flags are required for compiling code that includes the replacement code?
- What linker flags are required for building an executable that includes the replacement code?
- Are the required header, source, and object files for building an executable that includes your replacement code in the working folder for your project? If not, before starting the build process, do you want the code generator to copy required files to the build folder?

## **Registration Information Requirements**

- What do you want to name your code replacement library?
- What code replacement tables do you want to include in the library? What are the file names and paths for the tables?
- What is the purpose of the library? You can document the purpose as the library description.
- Does the library apply to specific hardware devices? If yes, what devices?
- Are you developing a hierarchy of code replacement libraries? Is the library that you are developing based (dependent) on another library? For example, you can specify a

general TI device library as the base library for a more specific TI C28x device library.

- Do you need to specify data alignment for the library? What data alignments are required? For each specification, what type of alignment is required and for what programming language?

## **Related Examples**

- “Develop a Code Replacement Library” on page 25-16
- “Quick Start Library Development” on page 25-17

## **More About**

- “What Is Code Replacement?” on page 47-2
- “What Is Code Replacement Customization?” on page 25-3
- “Code You Can Replace from MATLAB Code” on page 25-4
- “Code Replacement Libraries” on page 47-14
- “Code Replacement Terminology” on page 47-16
- “Code Replacement Customization Limitations” on page 25-15

## Prepare for Code Replacement Library Development

After you identify your code replacement requirements, prepare for library development by reviewing this checklist:

- Get familiar with the library development process.
- Decide whether to define code replacement mappings and produce a registration file interactively with the Code Replacement Tool or programmatically.
- Identify or develop MATLAB code and Simulink models to test your code replacement library.
- Consider the hierarchy and organization of your library. A library can consist of multiple tables and each table can include multiple entries. How do you want to organize the library to optimize reuse of tables and entries? For example, a registration file can define code replacement tables organized in a hierarchy of code replacement libraries based on entries that increase in specificity:
  - Common entries
  - Entries for TI devices
  - Entries for TI C6xx devices
  - Entries specific to the TI C67x device
- If support files, such as header files, additional source files, and dynamically linked libraries are not in your current working folder, note their location. You need to specify the paths for such files.

### Related Examples

- “Develop a Code Replacement Library” on page 25-16
- “Quick Start Library Development” on page 25-17

### More About

- “What Is Code Replacement?” on page 47-2
- “What Is Code Replacement Customization?” on page 25-3
- “Code You Can Replace from MATLAB Code” on page 25-4
- “Code Replacement Libraries” on page 47-14
- “Code Replacement Terminology” on page 47-16

## Define Code Replacement Mappings

A code replacement mapping associates a conceptual representation of a function or operator that is familiar to the code generator with a custom implementation representation that specifies a C or C++ replacement function prototype. You capture a mapping as an entry in a code replacement table:

- Interactively, by using the Code Replacement Tool.
- Programmatically, by using a MATLAB programming interface.

### In this section...

“Choose an Approach for Defining Code Replacement Mappings” on page 25-42

“Define Mappings Interactively with the Code Replacement Tool” on page 25-43

“Define Mappings Programmatically” on page 25-46

## Choose an Approach for Defining Code Replacement Mappings

The following table lists situations to help you decide when to use the interactive or programmatic approach.

Situation	Approach
Defining mappings for the first time.	Code Replacement Tool.
Rapid prototyping mappings.	Code Replacement Tool to quickly generate, register, and test mappings.
Developing a mapping as a template or starting point for defining similar mappings.	Code Replacement Tool to generate definition code that you can copy and modify.
Modifying a registration file, including copying and pasting content.	MATLAB Editor to update the programming interface directly.
Defining mappings that specify attributes not available from the Code Replacement Tool (for example, sets of algorithm parameters).	Programming interface.

Situation	Approach
Reusing existing code for new mappings by copying, pasting, and editing existing mappings.	Programming interface.

## Define Mappings Interactively with the Code Replacement Tool

This example shows how to use the Code Replacement Tool to develop code replacement mappings. The tool is ideal for getting started with developing mappings, rapid prototyping, and developing a mapping to use as a starting point for defining similar mappings.

### Open the Code Replacement Tool

Do one of the following:

- In the Command Window, enter the command `crtool`.
- In the Configuration Parameters dialog box, navigate to **All Parameters > Code Generation > Code replacement library** and click **Custom**.

An Embedded Coder license is not required to create a custom code replacement library. However, you must have an Embedded Coder license to use a such a library.

By default, the tool displays, left to right, a root pane, a list pane, and a dialog pane. You can manipulate the display:

- Drag boundaries to widen, narrow, shorten, or lengthen panes, and to resize table columns.
- Select **View > Show dialog pane** to hide or display the right-most pane.
- Click a table column heading to sort the table based on contents of the selected column.
- Right-click a table column heading and select **Hide** to remove the column from the display. (You cannot hide the **Name** column.)

### Create a Code Replacement Table

- 1 In the Code Replacement Tool window, select **File > New table**.
- 2 In the right pane, name the table and click **Apply**. Later, when you save the table, the tool uses the table name that you specify to name the file. For example, if you enter the name `my_sinfcn`, the tool names the file `my_sinfcn.m`.

## Create Table Entries

Create one or more table entries. Each entry maps the conceptual representation of a function or operator to your implementation representation. The information that you enter depends on the type of entry you create. Enter the following information:

- 1 In the left pane, select the table to which you want to add the entry.
- 2 Select **File > New entry > entry-type**, where **entry-type** is one of:
  - Math Operation
  - Function
  - BLAS Operation
  - CBLAS Operation
  - Net Slope Fixed-Point Operation
  - Semaphore entry
  - Customization entry

The new entry appears in the middle pane, initially without a name.

- 3 In the middle pane, select the new entry.
- 4 In the right pane, on the **Mapping Information** tab, from the **Function** or **Operation** menu, select the function or operation that you want the code generator to replace. Regardless of the entry type, make a selection from this menu. Your selection determines what other information you specify.

Except for customization entries, you also specify information for your replacement function prototype. You can also specify implementation attributes, such as the rounding modes to apply.

- 5 If prompted, specify additional entry information that you want the code generator to use when searching for a match. For example, when you select an addition or subtraction operation, the tool prompts you to specify an algorithm (**Cast before operation** or **Cast after operation**).
- 6 Review the conceptual argument information that the tool populates for the function or operation. Conceptual input and output arguments represent arguments for the function or operator being replaced. Conceptual arguments observe naming conventions ('y1', 'u1', 'u2', ...) and data types familiar to the code generator.

If you do not want the data types for your implementation to be the same as the conceptual argument types, clear the **Make the conceptual and implementation**

**argument types the same** check box. For example, most ANSI-C functions operate on and return `double` data. Clear the check box if want to map a conceptual representation of the function to an implementation representation that specifies an argument and return value. For example, clear the check box to map the conceptual representation of the function `sin` to an implementation representation that specifies an argument and return value of type `single` (`single sin(single)`), of type `double` (`double sin(double)`). In this case, the code generator produces the following code:

```
y = (single) sin(u1);
```

If you select **Custom** for a function entry, specify only conceptual argument information.

- 7 Specify the name and argument information for your replacement function. As you enter the information and click **Apply**, the tool updates the **Function signature preview**.
- 8 Specify additional implementation attributes that apply. For example, depending on the type and name of the entry that you specify, the tool prompts you to specify:
  - Integer saturation mode
  - Rounding modes
  - Whether to allow inputs that include expressions
  - Whether a function modifies internal or global state
- 9 Click **Apply**.

### Validate Tables and Entries

The Code Replacement Tool provides a way to validate the syntax of code replacement tables and table entries as you define them. If the tool finds validation errors, you can address them and retry the validation. Repeat the process until the tool does not report errors.

To	Do
Validate table entries	Select an entry, scroll to the bottom of the <b>Mapping Information</b> tab, and click <b>Validate entry</b> . Alternatively, select one or more entries, right-click, and select <b>Validate entries</b> .
Validate a table	Select the table. Then, select <b>Actions &gt; Validate table</b> .



## Save a Table

When you save a table, the tool validates unvalidated content.

- 1 Select **File > Save table**.
- 2 In the Browse For Folder dialog box, specify a location and name for the file. Typically, you select a location on the MATLAB path. By default, the tool names the file using the name that you specify for the table with the extension `.m`.
- 3 Click **Save**.

## Open and Modify Tables

After saving a code replacement table, to make changes in the table:

- 1 Select **File > Open table**.
- 2 In the Import file dialog box, browse to the MATLAB file that contains the table.

Repeat the sequence to open and work on multiple tables.

If you open multiple tables, you can manage the tables together. For example, use the tool to:

- Create new table entries.
- Delete entries.
- Copy and paste or cut and paste information between tables.

## Define Mappings Programmatically

This example shows how to define a code replacement mapping programmatically. The programming interface for defining code replacement table mappings is ideal for

- Modifying tables that you create with the Code Replacement Tool.
- Defining mappings for specialized entries that you cannot create with the Code Replacement Tool.
- Replicating and modifying similar entries and tables.

Steps for defining a mapping programmatically are:

### Create Code Replacement Table

- 1 Create a table definition file that contains a function definition. For example:

```
function hTable = crl_table_sinfcn()
```

- 2 Within the function body, create the table by calling the function `RTW.Tf1Table`.

```
hTable = RTW.Tf1Table;
```

### Create Table Entry

For each function or operator that you want the code generator to replace, map a conceptual representation of the function or operator to an implementation representation as a table entry.

- 1 Within the body of a table definition file, create a code replacement entry object. Call one of the following functions.

Entry Type	Function
Math operation	<code>RTW.Tf1COperationEntry</code>
Function	<code>RTW.Tf1CFunctionEntry</code>
BLAS operation	<code>RTW.Tf1BlasEntryGenerator</code>
CBLAS operation	<code>RTW.Tf1CBlasEntryGenerator</code>
Fixed-point addition and subtraction operations (support for <code>SlopesMustBeTheSame</code> and <code>ZeroNetBias</code> parameters)	<code>RTW.Tf1COperationEntryGenerator</code>
Net slope fixed-point operation	<code>RTW.Tf1COperationEntryGenerator_NetSlope</code>
Semaphore or mutex entry	<code>RTW.Tf1CSemaphoreEntry</code>
Custom function entry	<code>MyCustomFunctionEntry</code> (where <code>MyCustomFunctionEntry</code> is a class derived from <code>RTW.Tf1CFunctionEntryML</code> )
Custom operation entry	<code>MyCustomOperationEntry</code> (where <code>MyCustomOperationEntry</code> is a class derived from <code>RTW.Tf1COperationEntryML</code> )

For example:

```
hEnt = RTW.Tf1CFunctionEntry;
```

You can combine steps of creating the entry, setting entry parameters, creating conceptual and implementation arguments, and adding the entry to a table with a single function call to `registerCFunctionEntry`, `registerCPPFunctionEntry`, or `registerCPromotableMacroEntry` if you are creating an entry for a function and the function implementation meets the following criteria:

- Implementation argument names and order match the names and order of corresponding conceptual arguments.
- Input arguments are of the same type.
- The return and input argument names follow the code generator's default naming conventions:
  - Return argument is `y1`.
  - Input arguments are `u1, u2, ..., un`.

For example:

```
registerCFunctionEntry(hTable, 100, 1, 'sin', 'double', ...
    'sin_dbl', 'double', 'sin_dbl.h', '', '');
```

As another alternative, you can significantly reduce the amount of code that you write by combining the steps of creating the entry and conceptual and implementation arguments with a call to the `createCRLEntry` function. In this case, you specify the conceptual and implementation information as detailed string specifications.

For example:

```
hEnt = createCRLEntry(hTable, ...
    'double y1 = sin(double u1)', ...
    'mySin');
```

This approach does not support:

- C++ implementations
- Data alignment
- Operator replacement with net slope arguments
- Entry parameter specifications (for example, priority, algorithm, building information)
- Semaphore and mutex function replacements

## Set Entry Parameters

Set entry parameters, such as the priority, algorithm information, and implementation (replacement) function name. Call the function listed in the following table for the entry type that you created.

Entry Type	Function
Math operation	setTf1COperationEntryParameters
Function	setTf1CFunctionEntryParameters
BLAS operation	setTf1COperationEntryParameters
CBLAS operation	setTf1COperationEntryParameters
Fixed-point addition and subtraction operations where there is a many-to-one mapping, such as a mapping for a range of fixed-point types to the same replacement function (support for <code>SlopesMustBeTheSame</code> and <code>ZeroNetBias</code> parameters)	setTf1COperationEntryParameters
Net slope fixed-point operation	setTf1COperationEntryParameters
Semaphore or mutex entry	setTf1CSemaphoreEntryParameters
Custom function entry	setTf1CFunctionEntryParameters
Custom operation entry	setTf1COperationEntryParameters

To see a list of the parameters that you can set, at the command line, create a new entry and omit the semicolon at the end of the command. For example:

```
hEnt = RTW.Tf1CFunctionEntry
```

```
hEnt =
```

```
Tf1CFunctionEntry with properties:
```

```

    Implementation: [1x1 RTW.CImplementation]
    SlopesMustBeTheSame: 0
    BiasMustBeTheSame: 0
    AlgorithmParams: []
    ImplType: 'FCN_IMPL_FUNCT'
    AdditionalHeaderFiles: {0x1 cell}
    AdditionalSourceFiles: {0x1 cell}

```

```

AdditionalIncludePaths: {0x1 cell}
AdditionalSourcePaths: {0x1 cell}
AdditionalLinkObjs: {0x1 cell}
AdditionalLinkObjsPaths: {0x1 cell}
AdditionalLinkFlags: {0x1 cell}
AdditionalCompileFlags: {0x1 cell}
    SearchPaths: {0x1 cell}
    Key: ''
    Priority: 100
ConceptualArgs: [0x1 handle]
EntryInfo: []
GenCallback: ''
GenFileName: ''
SaturationMode: 'RTW_SATURATE_UNSPECIFIED'
RoundingModes: {'RTW_ROUND_UNSPECIFIED'}
TypeConversionMode: 'RTW_EXPLICIT_CONVERSION'
AcceptExprInput: 1
SideEffects: 0
UsageCount: 0
RecordedUsageCount: 0
Description: ''
StoreFcnReturnInLocalVar: 0
TraceManager: [1x1 RTW.Tf1TraceManager]

```

To see the implementation parameters, enter:

```
hEnt.Implementation
```

```
ans =
```

```
CImplementation with properties:
```

```

HeaderFile: ''
SourceFile: ''
HeaderPath: ''
SourcePath: ''
Return: []
StructFieldMap: []
Name: ''
Arguments: [0x1 handle]
ArgumentDescriptor: []

```

For example, to set entry parameters for the `sin` function and name your replacement function `sin_dbl`, use the following function call:

```
setTf1CFunctionEntryParameters(hEnt, ...
    'Key', 'sin', ...
    'ImplementationName', 'sin_dbl');
```

### Create Conceptual Arguments

Create conceptual arguments and add them to the entry's array of conceptual arguments.

- Specify output arguments before input arguments.
- Specify argument names that comply with code generator argument naming conventions:
  - `y1` for a return argument
  - `u1, u2, ..., un` for input arguments
- Specify data types that are familiar to the code generator.
- The function signature, including argument naming, order, and attributes, must fulfill the signature match sought by function or operator callers.
- The code generator determines the size of the value for an argument with an unsized type, such as integer, based on hardware implementation configuration settings.

For each argument:

- 1 Identify whether the argument is for input or output, the name, and data type. If you do not know what arguments to specify for a supported function or operation, use the Code Replacement Tool to find them. For example, to find the conceptual arguments for the `sin` function, open the tool, create a table, create a function entry, and in the **Function** menu select `sin`.
- 2 Create and add the conceptual argument to an entry. You can choose a method from the methods listed in this table.

If	Then
You want simpler code or want to explicitly specify whether the argument is scalar or nonscalar (vector or matrix).	Call the function <code>createAndAddConceptualArg</code> . For example: <pre>createAndAddConceptualArg(hEnt, ...     'RTW.Tf1ArgNumeric', ...     'Name', 'y1', ...     'IOType', 'RTW_IO_OUTPUT', ...     'DataTypeMode', 'double');</pre>

If	Then
	The second argument specifies whether the argument is scalar ( <code>RTW.TflArgNumeric</code> or <code>RTW.TflArgMatrix</code> ).
You want to create an argument based on a built-in argument definition (for example, scalar or nonscalar).	<p>Call <code>getTflArgFromString</code> to create the argument. Then, call <code>addConceptualArg</code> to add the argument to the entry.</p> <pre data-bbox="624 496 1299 578">arg = getTflArgFromString(hEnt, 'y1','double'); arg.IOType = 'RTW_IO_OUTPUT'; addConceptualArg(hEnt, arg);</pre>
You need to define several similar mappings, you want to minimize the code to write, and the entries do not require data alignment, use net slope arguments, or involve semaphore or mutex replacements.	<p>Call <code>createCRLEntry</code> to create the entry and specify conceptual and implementation arguments in a single function call.</p> <pre data-bbox="624 713 1151 795">hEnt = createCRLEntry(hTable, ...     'double y1 = sin(double u1)', ...     'mySin');</pre>

The following code shows the second approach listed in the table for specifying the conceptual output and input argument definitions for the `sin` function.

#### % Conceptual Args

```
arg = getTflArgFromString(hEnt, 'y1','double');
arg.IOType = 'RTW_IO_OUTPUT';
addConceptualArg(hEnt, arg);
```

```
arg = getTflArgFromString(hEnt, 'u1','double');
addConceptualArg(hEnt, arg);
```

#### Create Implementation Arguments

Create implementation arguments for the C or C++ replacement function and add them to the entry.

- When replacing code, the code generator uses the argument names to determine how it passes data to the implementation function.

- For function replacements, the order of implementation argument names must match the order of the conceptual argument names.
- For operator replacements, the order of implementation argument names do not have to match the order of the conceptual argument names. For example, for an operator replacement for addition,  $y1=u1+u2$ , the conceptual arguments are  $y1$ ,  $u1$ , and  $u2$ , in that order. If the signature of your implementation function is `t myAdd(t u2, t u1)`, where `t` is a valid C type, based on the argument name matches, the code generator passes the value of the first conceptual argument,  $u1$ , to the second implementation argument of `myAdd`. The code generator passes the value of the second conceptual argument,  $u2$ , to the first implementation argument of `myAdd`.
- For operator replacements, you can remap operator output arguments to implementation function input arguments.

For each argument:

- 1 Identify whether the argument is for input or output, the name, and the data type.
- 2 Create and add the implementation argument to an entry. You can choose a method from the methods listed in this table.

If	Then
You want to populate implementation arguments as copies of previously created matching conceptual arguments	Call the function <code>copyConceptualArgsToImplementation</code> . For example:  <code>copyConceptualArgsToImplementation(hEnt);</code>
You want to create and add implementation arguments individually, or vary argument attributes, while maintaining conceptual argument order	Call functions <code>createAndSetCImplementationReturn</code> and <code>createAndAddImplementationArg</code> . For example:  <code>createAndSetCImplementationReturn(hEnt,     'RTW.TflArgNumeric', ...     'Name', 'y1', ...     'IOType', 'RTW_IO_OUTPUT', ...     'IsSigned', true, ...     'WordLength', 32, ...     'FractionLength', 0);</code>  <code>createAndAddImplementationArg(op_entry,     'RTW.TflArgNumeric',...     'Name', 'u1', ...</code>



If	Then
	<pre data-bbox="672 296 1129 409">'IType',      'RTW_IO_INPUT',... 'IsSigned',  true,... 'WordLength', 32, ... 'FractionLength', 0 );</pre>

If	Then
<p>You want to minimize the amount of code, or specify constant arguments to pass to the implementation function</p>	<p>Create the argument with a call to the function <code>getTf1ArgFromString</code>. Then, use the convenience method <code>setReturn</code> or <code>addArgument</code> to specify whether an argument is a return value or argument and to add the argument to the entry's array of implementation arguments. For example:</p> <pre>arg = getTf1ArgFromString(hEnt, 'y1', 'double'); arg.IOType = 'RTW_IO_OUTPUT'; hEnt.Implementation.setReturn(arg);</pre> <p>arg = getTf1ArgFromString(hEnt, 'u1', 'double'); hEnt.Implementation.addArgument(arg);</p> <p>The following call to <code>getTf1ArgFromString</code> passes the constant 0 to argument u2:</p> <pre>arg = getTf1ArgFromString(hEnt, 'u2', 'int16', 0); hEnt.Implementation.addArgument(arg);</pre> <p>For semaphore and mutex entries, use the functions <code>getTf1DWorkFromString</code> and <code>addDWorkArg</code> to create and add a DWork argument to the entry. Then create implementation arguments as shown above with <code>getTf1ArgFromString</code> and the convenience methods <code>setReturn</code> and <code>addArgument</code>. For example:</p> <pre>arg = getTf1DWorkFromString('d1', 'void*'); hEnt.addDWorkArg(arg);</pre> <pre>arg = hEnt.getTf1ArgFromString('y1', 'void'); arg.IOType = 'RTW_IO_OUTPUT'; hEnt.Implementation.setReturn(arg);</pre> <pre>arg = hEnt.getTf1ArgFromString('u1', 'integer'); hEnt.Implementation.addArgument(arg);</pre> <pre>arg = hEnt.getTf1ArgFromString('d1', 'void**'); hEnt.Implementation.addArgument(arg);</pre>

If	Then
<p>You need to define several similar mappings, you want to minimize the code to write, and the entries do not require data alignment, use net slope arguments, or involve semaphore or mutex replacements.</p>	<p>Call <code>createCRLEntry</code> to create the entry and specify conceptual and implementation arguments in a single function call.</p> <pre data-bbox="612 423 1144 508"> hEnt = createCRLEntry(hTable, ...     'double y1 = sin(double u1)', ...     'mySin');</pre>

The following code shows the third approach listed in the table for specifying the implementation output and input argument definitions for the `sin` function:

```

% Implementation Args

arg = hEnt.getTf1ArgFromString('y1','double');
arg.IOType = 'RTW_IO_OUTPUT';
hEnt.Implementation.setReturn(arg);

arg = hEnt.getTf1ArgFromString('u1','double');
hEnt.Implementation.addArgument(arg);
```

### Add Entry to Table

Add an entry to a code replacement table by calling the function `addEntry`.

```

addEntry(hTable, hEnt);
```

### Validate Entry

After you create or modify a code replacement table entry, validate it by invoking it at the MATLAB command line. For example:

```

hTbl = crl_table_sinfcn

hTbl =

RTW.Tf1Table
  Version: '1.0'
 AllEntries: [2x1 RTW.Tf1CFunctionEntry]
ReservedSymbols: []
```

```
StringResolutionMap: []
```

If the table includes errors, MATLAB reports them. The following examples shows how MATLAB reports a typo in a data type name:

```
hTbl = crl_table_sinfcn
??? RTW_CORE:tf1:Tf1Table: Unsupported data type, 'dooble'.

Error in ==> crl_table_sinfcn at 7
hTable.registerCFunctionEntry(100, 1, 'sin', 'dooble', 'sin_dbl', ...
```

### Save Table

Save the table definition file. Use the name of the table definition function to name the file, for example, `crl_table_sinfcn.m`.

### Related Examples

- “Identify Code Replacement Requirements” on page 25-27
- “Prepare for Code Replacement Library Development” on page 25-30
- “Specify Build Information for Replacement Code” on page 25-48
- “Register Code Replacement Mappings” on page 25-57
- “Develop a Code Replacement Library” on page 25-16
- “Quick Start Library Development” on page 25-17
- “Math Function Code Replacement” on page 25-85
- “Memory Function Code Replacement” on page 25-87
- “Specify In-Place Code Replacement” on page 25-89
- “Replace MATLAB Functions with Custom Code Using `coder.replace`” on page 25-96
- “Reserved Identifiers and Code Replacement” on page 25-103
- “Customize Match and Replacement Process” on page 25-105
- “Scalar Operator Code Replacement” on page 25-107
- “Addition and Subtraction Operator Code Replacement” on page 25-109
- “Small Matrix Operation to Processor Code Replacement” on page 25-114
- “Matrix Multiplication Operation to MathWorks BLAS Code Replacement” on page 25-118
- “Matrix Multiplication Operation to ANSI/ISO C BLAS Code Replacement” on page 25-125

- “Remap Operator Output to Function Input” on page 25-132
- “Customize Match and Replacement Process for Operators” on page 25-170
- “Fixed-Point Operator Code Replacement” on page 25-135
- “Binary-Point-Only Scaling Code Replacement” on page 25-144
- “Slope Bias Scaling Code Replacement” on page 25-147
- “Net Slope Scaling Code Replacement” on page 25-150
- “Equal Slope and Zero Net Bias Code Replacement” on page 25-157
- “Data Type Conversions (Casts) and Operator Code Replacement” on page 25-160
- “Shift Left Operations and Code Replacement” on page 25-165
- Replacing Math Functions and Operators

## **More About**

- “Code You Can Replace from MATLAB Code” on page 25-4
- “Code Replacement Libraries” on page 47-14
- “Code Replacement Terminology” on page 47-16
- “Code Replacement Customization Limitations” on page 25-15

## Specify Build Information for Replacement Code

A code replacement table entry can specify build information for the code generator to use when replacing code for a match. For example, specify files for implementation replacement code if you are using a generated makefile and the code generation software compiles the code.

Add build information to an entry:

- Interactively, by using the **Build Information** tab in the Code Replacement Tool.
- Programmatically, by using a MATLAB programming interface.

### In this section...

“Build Information” on page 25-59

“Choose an Approach for Specifying Build Information” on page 25-59

“Specify Build Information Interactively with the Code Replacement Tool” on page 25-60

“Specify Build Information Programmatically” on page 25-62

## Build Information

The build information can include:

- Paths and file names for header files
- Paths and file names for source files
- Paths and file names for object files
- Compile flags
- Link flags

## Choose an Approach for Specifying Build Information

The following table lists situations to help you decide when to use an interactive or programmatic approach to specifying build information:

Situation	Approach
Creating code replacement entries for the first time.	Code Replacement Tool.
You used the Code Replacement Tool to create the entries for	Code Replacement Tool to quickly specify the build information.

Situation	Approach
which the build information applies.	
Rapid prototyping entries.	Code Replacement Tool to quickly generate, register, and test entries.
Developing an entry to use as a template or starting point for defining similar entries.	Code Replacement Tool to generate entry code that you can copy and modify.
Modifying existing mappings.	MATLAB Editor to update the programming interface directly.

- If an entry uses header, source, or object files, consider whether you need to make the files accessible to the code generator. You can copy files to the build folder or you can specify individual file names and paths explicitly.
- If you specify *additional* header files/include paths or source files/paths and you copy files, the compiler and utilities such as `packNGO` might find duplicate instances of files (an instance in the build folder and an instance in the original folder).
- If you choose to copy files to the build folder and you are using the `packNGO` function to relocate static and generated code files to another development environment, do not collocate files that you copy with files that you do not copy. The `packNGO` function produces an error if it finds multiple instances of the same file.
- If you use the programming interface, paths that you specify can include tokens. A token is a variable defined as a string or cell array of strings in the MATLAB workspace that you enclose with dollar signs (`$variable$`). The code generator evaluates and replaces a token with the defined value. For example, consider the path `$myfolder$\folder1`, where `myfolder` is a string variable defined in the MATLAB workspace as `'d:\work\source\module1'`. The code generator generates the custom path as `d:\work\source\module1\folder1`.

## Specify Build Information Interactively with the Code Replacement Tool

The Code Replacement Tool provides a quick, easy way for you to specify build information for code replacement table entries. It is ideal for getting started with defining a table entry, rapid prototyping, and developing table entries to use as a starting point for defining similar mappings.

- 1 Determine the information that you must specify.

- 2 Open the Code Replacement Tool.
- 3 Select the code replacement table entry for which you want to specify the build information. In the left pane, select the table that contains the entry. In the middle pane, select the entry that you want to modify.
- 4 In the right pane, select the **Build Information** tab.
- 5 On the **Build Information** tab, specify your build information.

Parameter	Specify
<b>Implementation header file</b>	File name and extension for the header file the code generator needs to generate the replacement code. For example, <code>sin_dbl.h</code> .
<b>Implementation source file</b>	File name and extension for the C or C++ source file the code generator needs to generate the replacement code. For example, <code>sin_dbl.c</code> .
<b>Additional header files/include paths</b>	Paths and file names for additional header files the code generator needs to generate the replacement code. For example, <code>C:\libs\headerFiles</code> and <code>C:\libs\headerFiles\common.h</code> . This parameter adds <code>-I</code> to the compile line in the generated makefile.
<b>Additional source files/ paths</b>	Paths and file names for additional source files the code generator needs to generate the replacement code. For example, <code>C:\libs\srcFiles</code> and <code>C:\libs\srcFiles\common.c</code> . This parameter adds <code>-I</code> to the compile line in the generated makefile.
<b>Additional object files/ paths</b>	Paths and file names for additional object files the linker needs to build the replacement code. For example, <code>C:\libs\objFiles</code> and <code>C:\libs\objFiles\common.obj</code> .
<b>Additional link flags</b>	Flags the linker needs to generate an executable file for the replacement code.
<b>Additional compile flags</b>	Flags the compiler needs to generate object code for the replacement code.
<b>Copy files to build directory</b>	Whether to copy header, source, or object files, which are required to generate replacement



Parameter	Specify
	code, to the build folder before code generation. If you specify files with <b>Additional header files/include paths</b> or <b>Additional source files/ paths</b> and you copy files, the compiler and utilities such as packNGo might find duplicate instances of files.

- 6 Click **Apply**.
- 7 Select the **Mapping Information** tab. Scroll to the bottom of that table and click **Validate entry**. The tool validates the changes that you made to the entry.
- 8 Save the table that includes the entry that you just modified.

## Specify Build Information Programmatically

The programming interface for specifying build information for a code replacement entry is ideal for:

- Modifying entries created with the Code Replacement Tool.
- Replicating and then modifying similar entries and tables.

The basic workflow for specifying build information programmatically is:

- 1 Identify or create the code replacement entry that you want to specify the build information.
- 2 Determine what information to specify.
- 3 Specify your build information.

Specify	Action
Implementation header file	<p>Use one of the following:</p> <ul style="list-style-type: none"> <li>• Set properties <code>ImplementationHeaderFile</code> and <code>ImplementationHeaderPath</code> in a call to <code>setTf1CFunctionEntryParameters</code>, <code>setTf1COperationEntryParameters</code>, or <code>setTf1CSemaphoreEntryParameters</code>. For example:</li> </ul> <pre>setTf1CFunctionEntryParameters(hEnt, ...     'ImplementationHeaderFile', 'sin_dbl.h', ...</pre>

Specify	Action
	<pre data-bbox="497 296 1184 383">'ImplementationHeaderPath', 'D:/lib/headerFiles' 'Key', 'sin', ... 'ImplementationName', 'sin_dbl');</pre> <ul data-bbox="402 395 1233 487" style="list-style-type: none"> <li>• Set argument <code>headerFile</code> in a call to <code>registerCFunctionEntry</code>, <code>registerCPPFunctionEntry</code>, or <code>registerCPromotableMacroEntry</code></li> </ul>
Implementation source file	<p data-bbox="397 505 1069 661">Set properties <code>ImplementationSourceFile</code> and <code>ImplementationSourcePath</code> in a call to <code>setTf1CFunctionEntryParameters</code>, <code>setTf1COperationEntryParameters</code>, or <code>setTf1CSemaphoreEntryParameters</code>. For example:</p> <pre data-bbox="397 690 1144 829">setTf1CFunctionEntryParameters(hEnt, ... 'ImplementationHeaderFile', 'sin_dbl.c', ... 'ImplementationHeaderPath', 'D:/lib/sourceFiles' 'Key', 'sin', ... 'ImplementationName', 'sin_dbl');</pre>
Additional header files/include paths	<p data-bbox="397 848 1273 939">For each file, specify the file name and path in calls to the functions <code>addAdditionalHeaderFile</code> and <code>addAdditionalIncludePath</code>. For example:</p> <pre data-bbox="397 968 1262 1138">libdir = fullfile('\$MATLAB_ROOT','..', '..', 'lib');  hEnt = RTW.Tf1CFunctionEntry;  addAdditionalHeaderFile(hEnt, 'common.h'); addAdditionalIncludePath(hEnt, fullfile(libdir, 'include'));</pre> <p data-bbox="397 1168 1248 1196">These functions add <code>-I</code> to the compile line in the generated makefile.</p>

Specify	Action
Additional source files/paths	<p>For each file, specify the file name and path in calls to the functions <code>addAdditionalSourceFile</code> and <code>addAdditionalSourcePath</code>. For example:</p> <pre>libdir = fullfile('\$MATLAB_ROOT','..', '..', 'lib');  hEnt = RTW.Tf1CFunctionEntry;  addAdditionalSourceFile(hEnt, 'common.c'); addAdditionalSourcePath(hEnt, fullfile(libdir, 'src'));</pre> <p>These functions add <code>-I</code> to the compile line in the generated makefile.</p>
Additional object files/paths	<p>For each file, specify the file name and path in calls to the functions <code>addAdditionalLinkObj</code> and <code>addAdditionalLinkObjPath</code>. For example:</p> <pre>libdir = fullfile('\$MATLAB_ROOT','..', '..', 'lib');  hEnt = RTW.Tf1CFunctionEntry;  addAdditionalLinkObj(hEnt, 'sin.o'); addAdditionalLinkObjPath(hEnt, fullfile(libdir, 'bin'));</pre>
Compile flags	<p>Set the entry property <code>AdditionalCompileFlags</code> to a cell array of strings representing the required compile flags. For example:</p> <pre>hEnt = RTW.Tf1CFunctionEntry;  hEnt.AdditionalCompileFlags = {'-Zi -Wall', '-O3'};</pre>
Link flags	<p>Set the entry property <code>AdditionalLinkFlags</code> to a cell array of strings representing the required link flags. For example:</p> <pre>hEnt = RTW.Tf1CFunctionEntry;  hEnt.AdditionalCompileFlags = {'-MD -Gy', '-T'};</pre>

Specify	Action
Whether to copy header, source, or object files, which are required to generate replacement code, to the build folder before code generation	<p>Use one of the following:</p> <ul style="list-style-type: none"> <li>Set property <code>GenCallback</code> to <code>'RTW.copyFileToBuildDir'</code> in a call to <code>setTf1CFunctionEntryParameters</code>, <code>setTf1COperationEntryParameters</code>, or <code>setTf1CSemaphoreEntryParameters</code>. For example: <pre>setTf1CFunctionEntryParameters(hEnt, ...     'ImplementationHeaderFile', 'sin_dbl.h', ...     'ImplementationHeaderPath', 'D:/lib/headerFiles'     'Key', 'sin', ...     'ImplementationName', 'sin_dbl'     'GenCallback', 'RTW.copyFileToBuildDir');</pre> </li> <li>Set argument <code>genCallback</code> in a call to <code>registerCFunctionEntry</code>, <code>registerCPPFunctionEntry</code>, or <code>registerCPromotableMacroEntry</code> to <code>'RTW.copyFileToBuildDir'</code>.</li> </ul> <p>If a match occurs for a table entry, a call to the function <code>RTW.copyFileToBuildDir</code> copies required files to the build folder.</p> <p>If you specify additional header files/include paths or additional source files/paths and you copy files, the compiler and utilities such as <code>packNGO</code> might find duplicate instances of files.</p>

#### 4 Save the table that includes the entry that you added or modified.

The following example defines a table entry for an optimized multiplication function that takes signed 32-bit integers and returns a signed 32-bit integer, taking saturation into account. Multiplications in the generated code are replaced with calls to the optimized function. The optimized function does not reside in the build folder. For the code generator to access the files, copy them into the build folder to be compiled and linked into the application.

The table entry specifies the source and header file names and paths. To request the copy operation, the table entry sets the `genCallback` property to `'RTW.copyFileToBuildDir'` in the call to the `setTf1COperationEntryParameters` function. In this example, the header file `s32_mul.h` contains an inlined function that invokes assembly functions contained in `s32_mul.s`. If a match occurs for the table

entry, the function `RTW.copyFileToBuildDir` copies the specified source and header files to the build folder for use during the remainder of the build process.

```
function hTable = make_my_crl_table

hTable = RTW.Tf1Table;

op_entry = RTW.Tf1COperationEntry;
setTf1COperationEntryParameters(op_entry, ...
    'Key', 'RTW_OP_MUL', ...
    'Priority', 100, ...
    'SaturationMode', 'RTW_SATURATE_ON_OVERFLOW', ...
    'RoundingModes', {'RTW_ROUND_UNSPECIFIED'}, ...
    'ImplementationName', 's32_mul_s32_sat', ...
    'ImplementationHeaderFile', 's32_mul.h', ...
    'ImplementationSourceFile', 's32_mul.s', ...
    'ImplementationHeaderPath', {fullfile('${MATLAB_ROOT}','crl')}, ...
    'ImplementationSourcePath', {fullfile('${MATLAB_ROOT}','crl')}, ...
    'GenCallback', 'RTW.copyFileToBuildDir');
.
.
.
addEntry(hTable, op_entry);
```

The following example uses the functions `addAdditionalHeaderFile`, `addAdditionalIncludePath`, `addAdditionalSourceFile`, `addAdditionalSourcePath`, `addAdditionalLinkObj`, and `addAdditionalLinkObjPath` in addition to the code generation callback function `RTW.copyFileToBuildDir`.

```
hTable = RTW.Tf1Table;

% Path to external source, header, and object files
libdir = fullfile('${MATLAB_ROOT}','..', '..', 'lib');

op_entry = RTW.Tf1COperationEntry;
setTf1COperationEntryParameters(op_entry, ...
    'Key', 'RTW_OP_ADD', ...
    'Priority', 90, ...
    'SaturationMode', 'RTW_SATURATE_UNSPECIFIED', ...
    'RoundingModes', {'RTW_ROUND_UNSPECIFIED'}, ...
    'ImplementationName', 's32_add_s32_s32', ...
    'ImplementationHeaderFile', 's32_add_s32_s32.h', ...
    'ImplementationSourceFile', 's32_add_s32_s32.c'...
    'GenCallback', 'RTW.copyFileToBuildDir');

addAdditionalHeaderFile(op_entry, 'all_additions.h');
addAdditionalIncludePath(op_entry, fullfile(libdir, 'include'));
addAdditionalSourceFile(op_entry, 'all_additions.c');
addAdditionalSourcePath(op_entry, fullfile(libdir, 'src'));
addAdditionalLinkObj(op_entry, 'addition.o');
addAdditionalLinkObjPath(op_entry, fullfile(libdir, 'bin'));
.
```

```
.  
.br/>addEntry(hTable, op_entry);
```

### Related Examples

- “Identify Code Replacement Requirements” on page 25-27
- “Prepare for Code Replacement Library Development” on page 25-30
- “Define Code Replacement Mappings” on page 25-31
- “Register Code Replacement Mappings” on page 25-57
- “Develop a Code Replacement Library” on page 25-16
- “Customize the Post-Code-Generation Build Process”
- Replacing Math Functions and Operators

### More About

- “What Is Code Replacement Customization?” on page 25-3
- “Code Replacement Libraries” on page 47-14
- “Code Replacement Terminology” on page 47-16
- “Code Replacement Customization Limitations” on page 25-15

## Register Code Replacement Mappings

After you define code replacement entries in a code replacement table, you can include the table in a code replacement library that you register with the code generator. When registered, a library appears in the list of available code replacement libraries that you can choose from when configuring the code generator.

Register a code replacement table as a code replacement library:

- Interactively, by using the Code Replacement Tool
- Programmatically, by using a MATLAB programming interface

In this section...
“Choose an Approach for Creating the Registration File” on page 25-57
“Create Registration File Interactively with the Code Replacement Tool” on page 25-58
“Create Registration File Programmatically” on page 25-60
“Register a Code Replacement Library” on page 25-62
“Registration Files That Define Multiple Code Replacement Libraries” on page 25-62
“Registration Files That Define Code Replacement Library Hierarchies” on page 25-63

### Choose an Approach for Creating the Registration File

The following table lists situations to help you decide when to use an interactive or programmatic approach to creating a registration file:

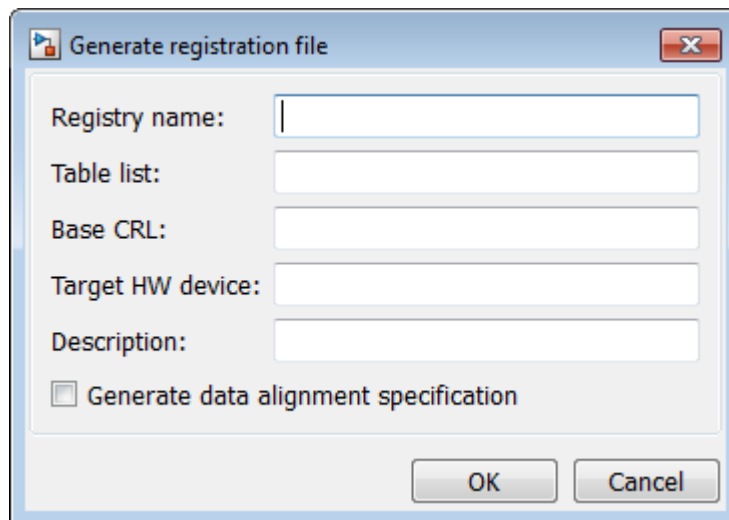
If...	Then...
Registering a code replacement table for the first time	Use the Code Replacement Tool.
You used the Code Replacement Tool to create the table	Use the Code Replacement Tool to quickly register the table.
Rapid prototyping code replacement	Use the Code Replacement Tool to quickly generate, register, and test entries.
Creating registration file to use as a template or starting point	Use the Code Replacement Tool to generate code that you can copy and modify.

If...	Then...
for defining similar registration files	
Modifying existing registration files	Use the MATLAB Editor to update the registration file.
Defining multiple code replacement libraries in one registration file	Use the MATLAB Editor to create a new or extend an existing registration file.
Defining code replacement library hierarchy in a registration file	Use the MATLAB Editor to create a new or extend an existing registration file.

## Create Registration File Interactively with the Code Replacement Tool

The Code Replacement tool provides a quick, easy way for you to create a registration file for a code replacement table. It is ideal for getting started, rapid prototyping, and generating a registration file that you want to use as a starting point for similar registrations.

- 1 After you validate and save a code replacement table, select **File > Generate registration file** to open the **Generate registration file** dialog box.





2 Enter the registration information. Minimally, specify:

For...	Specify...
<b>Registry name</b>	String naming the code replacement library. For example, <b>Sin Function Example</b> .
<b>Table list</b>	<p>Strings naming one or more code replacement tables to include in the library. Specify each table as one of the following:</p> <ul style="list-style-type: none"> <li>• Name of a table file on the MATLAB search path</li> <li>• Absolute path to a table file</li> <li>• Path to a table file relative to \$(MATLAB_ROOT)</li> </ul> <p>You can specify multiple tables. If you do, separate the table specifications with a comma. For example:</p> <pre>crl_table_sinfcn, c:/work_crl/crl_table_muldiv</pre> <p>See “Registration Files That Define Multiple Code Replacement Libraries” on page 25-62 for examples of each type of table specification.</p>

Optionally, you can specify:

For...	Specify...
<b>Description</b>	Text string that describes the purpose and content of the library.
<b>Target HW device</b>	Strings naming one or more hardware devices the code replacement library supports. Separate names with a comma. To support all device types, enter an asterisk (*). For example, <b>TI C28x, TI C62x</b> .
<b>Base CRL</b>	String naming a code replacement library that you want to serve as a base library for the library you are registering. Use this field to specify library hierarchies. For example, you can specify a general <b>TI device library</b> as the base library for a more specific <b>TI C28x device library</b> .

For...	Specify...
Generate data alignment specification	Flag that enables data alignment specification.

## Create Registration File Programmatically

The programming interface for creating a registration file for a code replacement table is ideal for:

- Modifying registration files created with the Code Replacement Tool
- Replicating and modifying similar registration files
- Defining multiple code replacement libraries in one registration file

The basic workflow for creating a registration file programmatically consists of the following steps:

- 1 Define an `rtwTargetInfo` function. The code generator recognizes this function as a customization file. The function definition must include at least the following content:

```
function rtwTargetInfo(cm)

cm.registerTargetInfo(@loc_register_cr1);

function this = loc_register_cr1

this(1) = RTW.Tf1Registry;
this(1).Name = 'cr1-name';
this(1).TableList = {'table',...};
```

For...	Replace...
<code>this(1).Name = 'cr1-name';</code>	<code>cr1-name</code> with a string naming the code replacement library. For example, <code>Sin Function Example</code> .
<code>this(1).TableList = {'table',...};</code>	<code>table</code> with a string that identifies the code replacement table that contains your code replacement entries. Specify a table as one of the following:

For...	Replace...
	<ul style="list-style-type: none"> <li>• Name of a table file on the MATLAB search path</li> <li>• Absolute path to a table file</li> <li>• Path to a table file relative to \$(MATLAB_ROOT)</li> </ul> <p>You can specify multiple tables. If you do, separate the table specifications with commas.</p>

Optionally, you can specify:

For...	Replace...
<code>this(1).Description = 'text'</code>	<i>text</i> with a string that describes the purpose and content of the library.
<code>this(1).TargetHWDeviceType = {'device-type',...}</code>	<i>device-type</i> with a string that names a hardware device the code replacement library supports. You can specify multiple device types. Separate device types with a comma. For example, <code>TI C28x</code> , <code>TI C62x</code> . To support all device types, enter an asterisk (*).
<code>this(1).BaseTfl = 'base-lib'</code>	<i>base-lib</i> with a string that names a code replacement library that you want to serve as a base library for the library you are registering. Use this field to specify library hierarchies. For example, you can specify a general TI device library as the base library for a TI C28x device library.  See “Registration Files That Define Code Replacement Library Hierarchies” on page 25-63 for an example.

For example:

```
function rtwTargetInfo(cm)
```

```

cm.registerTargetInfo(@loc_register_crl);

function this = loc_register_crl

this(1) = RTW.TflRegistry;
this(1).Name = 'Sin Function Example';
this(1).TableList = {'crl_table_sinfcn'};
this(1).TargetHWDeviceType = {'*'};
this(1).Description = 'Example - sin function replacement';

```

- 2 Save the file with the name `rtwTargetInfo.m`.
- 3 Place the file on the MATLAB path. When the file is on the MATLAB path, the code generator reads the file after starting and applies the customizations during the current MATLAB session.

## Register a Code Replacement Library

Before you can use the code replacement tables defined in a registration file, you must refresh Simulink customizations within the current MATLAB session. To initiate a refresh, enter the following command:

```
sl_refresh_customizations
```

## Registration Files That Define Multiple Code Replacement Libraries

Use the programming interface to create a registration file that defines a code replacement library that includes multiple code replacement tables. The following example defines a library that includes multiple tables. The `TableList` fields specify tables that reside at different locations. The tables reside on the MATLAB search path or at locations specified with path strings.

```

function rtwTargetInfo(cm)

cm.registerTargetInfo(@locCrlRegFcn);

function thisCrl = locCrlRegFcn

% Register a code replacement library for use with model: rtwdemo_crladdsub
thisCrl(1) = RTW.TflRegistry;
thisCrl(1).Name = 'Addition & Subtraction Examples';
thisCrl(1).Description = 'Example of addition/subtraction op replacement';
thisCrl(1).TableList = {'crl_table_addsub'};
thisCrl(1).TargetHWDeviceType = {'*'};

% Register a code replacement library for use with model: rtwdemo_crlmuldiv

```

```

thisCr1(2) = RTW.TflRegistry;
thisCr1(2).Name = 'Multiplication & Division Examples';
thisCr1(2).Description = 'Example of mult/div op repl for built-in integers';
thisCr1(2).TableList = {'c:/work_cr1/cr1_table_muldiv'};
thisCr1(2).TargetHWDeviceType = {'*'};

% Register a code replacement library for use with model: rtwdemo_cr1fixpt
thisCr1(3) = RTW.TflRegistry;
thisCr1(3).Name = 'Fixed-Point Examples';
thisCr1(3).Description = 'Example of fixed-point operator replacement';
thisCr1(3).TableList = {fullfile('$MATLAB_ROOT', ...
    'toolbox', 'rtw', 'rtwdemos', 'cr1_demo', 'cr1_table_fixpt')};
thisCr1(3).TargetHWDeviceType = {'*'};

```

## Registration Files That Define Code Replacement Library Hierarchies

Using the programming interface, you can organize multiple code replacement libraries in a hierarchy. The following example shows a registration file that defines four code replacement tables organized in a hierarchy of four code replacement libraries. The tables include entries that increase in specificity: common entries, entries for TI devices, entries for TI C6xx devices, and entries specific to the TI C67x device.

```

function rtwTargetInfo(cm)

cm.registerTargetInfo(@locCr1RegFcn);

function thisCr1 = locCr1RegFcn

% Register a code replacement library that includes common entries
thisCr1(1) = RTW.TflRegistry;
thisCr1(1).Name = 'Common Replacements';
thisCr1(1).Description = 'Common code replacement entries shared by other libraries';
thisCr1(1).TableList = {'cr1_table_general'};
thisCr1(1).TargetHWDeviceType = {'*'};

% Register a code replacement library for TI devices
thisCr1(2) = RTW.TflRegistry;
thisCr1(2).Name = 'TI Device Replacements';
thisCr1(2).Description = 'Code replacement entries shared across TI devices';
thisCr1(2).TableList = {'cr1_table_TI_devices'};
thisCr1(2).TargetHWDeviceType = {'TI C28x', 'TI C55x', 'TI C62x', 'TI C64x', 'TI 67x'};
thisCr1(1).BaseTfl = 'Common Replacements'

% Register a code replacement library for TI c6xx devices
thisCr1(3) = RTW.TflRegistry;
thisCr1(3).Name = 'TI c6xx Device Replacements';
thisCr1(3).Description = 'Code replacement entries shared across TI C6xx devices';
thisCr1(3).TableList = {'cr1_table_TIC6xx_devices'};
thisCr1(3).TargetHWDeviceType = {'TI C62x', 'TI C64x', 'TI 67x'};

% Register a code replacement library for the TI c67x device
thisCr1(3) = RTW.TflRegistry;
thisCr1(3).Name = 'TI c67x Device Replacements';
thisCr1(3).Description = 'Code replacement entries for the TI C67x device';
thisCr1(3).TableList = {'cr1_table_TIC67x_device'};
thisCr1(3).TargetHWDeviceType = {'TI 67x'};

```

### **Related Examples**

- “Define Code Replacement Mappings” on page 25-31
- “Specify Build Information for Replacement Code” on page 25-48
- “Develop a Code Replacement Library” on page 25-16
- “Quick Start Library Development” on page 25-17
- “Deploy Code Replacement Library” on page 25-84
- Replacing Math Functions and Operators

### **More About**

- “What Is Code Replacement?” on page 47-2
- “What Is Code Replacement Customization?” on page 25-3
- “Code Replacement Libraries” on page 47-14
- “Code Replacement Terminology” on page 47-16

## Troubleshoot Code Replacement Library Registration

If a code replacement library is not listed as a configuration option or does not appear in the Code Replacement Viewer:

- Refresh the library registration information within the current MATLAB session (`RTW.TargetRegistry.getInstance('reset')`; or for the Simulink environment, `sl_refresh_customizations`).
- See whether the registration file, `rtwTargetInfo.m`, contains an error.

### Related Examples

- “Register Code Replacement Mappings” on page 25-57

## Code Replacement Hits and Misses

The code generator logs code replacement table entries for which it finds and does not find matches in the hit cache and miss cache, respectively. When a code replacement entry match fails and code is not replaced, the code generator logs the call site object (CSO) for the miss in the miss cache. When an entry match succeeds, the code generator logs the matched entry in the hit cache.

The code generator overwrites the hit and miss cache data each time it produces code. The cache data reflects hits and misses for only the last application component (MATLAB code or Simulink model) for which you generate code.

You can use the Code Replacement Viewer to review trace information based on logged hit and miss trace data. The hit cache provides trace information that helps to verify code replacements.

The miss cache and related miss data collected and stored in code replacement tables provide trace information for misses. Use this information for misses to troubleshoot expected code replacements that do not occur. Trace information for a miss:

- Identifies the call site object.
- Provides a link to the relevant source location for the miss.
- Includes information about the reason for the miss.

### Related Examples

- “Review and Test Code Replacements” on page 25-67
- “Troubleshoot Code Replacement Misses” on page 25-76



## Review and Test Code Replacements

After you create or modify a code replacement table, use the following techniques to examine and validate the table and its entries.

- Invoke the table definition file at the command prompt.
- Use the Code Replacement Viewer to examine libraries, tables, and entries.
- Trace code replacements from the source where you applied the code replacement library.
- Examine code replacement hits and misses logged during code generation.

### In this section...

“Validate a Table Definition File” on page 25-67

“Review Library Content” on page 25-67

“Review Table Content” on page 25-69

“Review Code Replacements” on page 25-72

### Validate a Table Definition File

After you create or modify a code replacement table definition file, validate it. At the command prompt, specify the name of the table in a call to the `isvalid` function. For example:

```
isvalid(cr1_table_sinfcn)
```

```
ans =
```

```
1
```

MATLAB displays errors that occur. In the following example, MATLAB detects a typo in a data type name.

```
isvalid(cr1_table_sinfcn)
```

```
??? RTW_CORE:tf1:Tf1Table: Unsupported data type, 'dooble'.
```

```
Error in ==> cr1_table_sinfcn at 7
hTable.registerCFunctionEntry(100, 1, 'sin', 'dooble', 'sin_dbl', ...
```

### Review Library Content

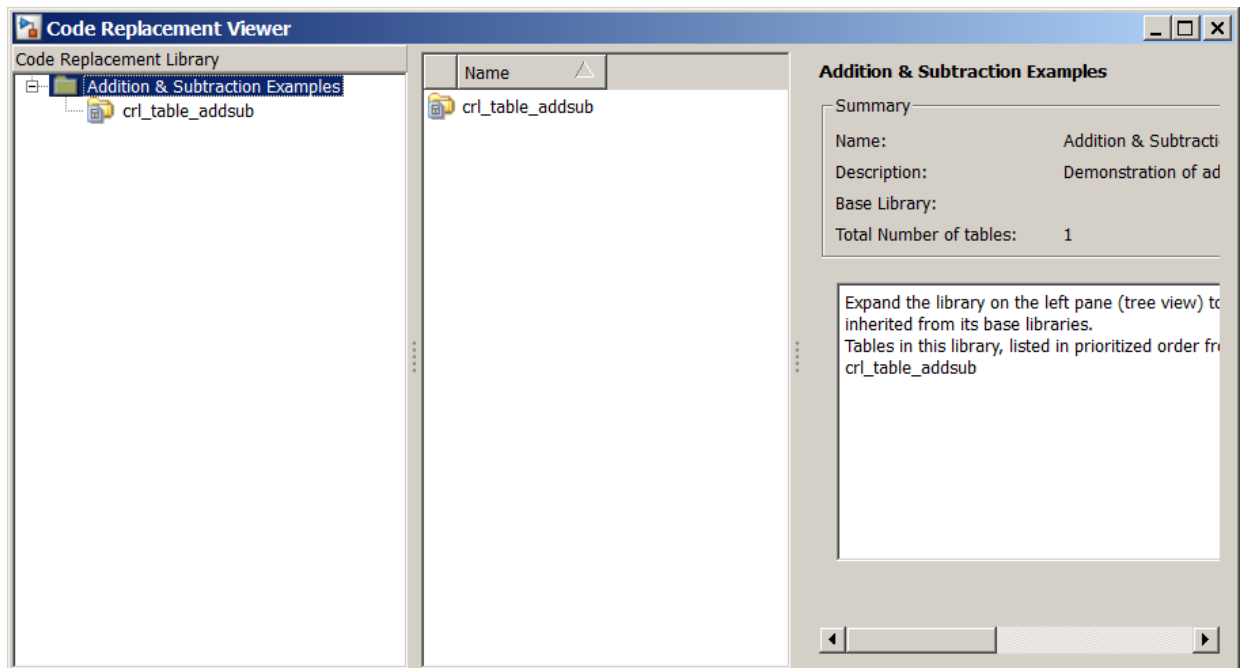
After you create or modify a code replacement library, use the Code Replacement Viewer to review and verify the list of tables in the library and the entries in each table.

- 1 Open the viewer to display the contents of your library. At the command prompt, enter the following command:

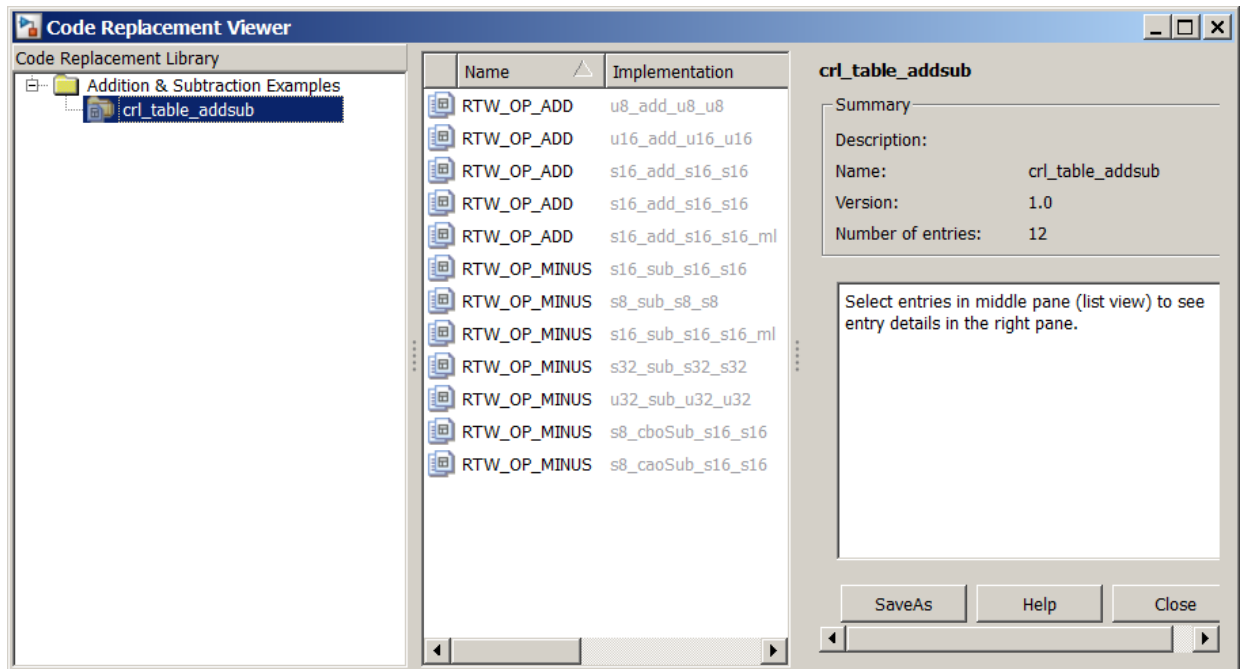
```
crviewer('library')
```

For example:

```
crviewer('Addition & Subtraction Examples')
```



- 2 Review the list of tables in the left pane. Are tables missing? Are the tables listed in the correct relative order? By default, the viewer displays tables in search order.
- 3 In the left pane, click each table and review the list of entries in the center pane. Are entries missing? Does the list include extraneous or unexpected entries?



## Review Table Content

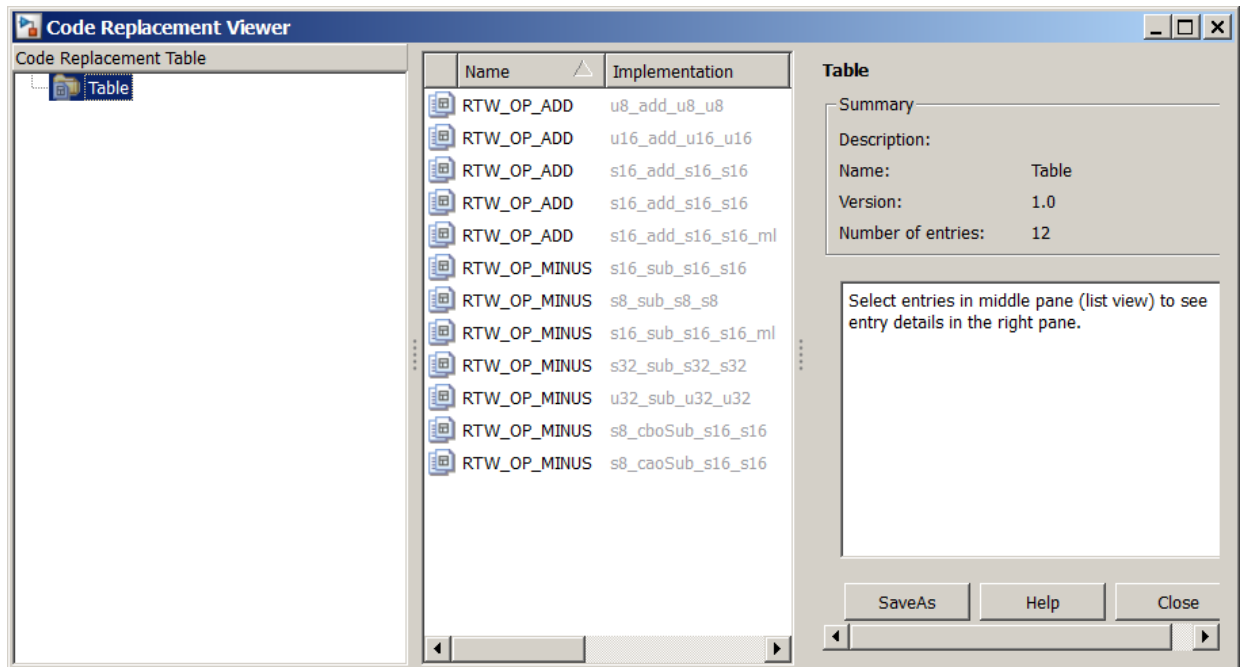
After you create or modify a code replacement table, use the Code Replacement Viewer to review and verify table entries.

- 1 Open the viewer to display the contents of your table. At the command prompt, enter the following command. *table* is a MATLAB file that defines code replacement tables. The file must be in the current folder or on the MATLAB path.

```
crviewer(table)
```

For example:

```
crviewer(crl_table_addsub)
```



- 2 Review the list of entries in the center pane. Are entries missing? Does the list include extraneous or unexpected entries? By default, the viewer displays entries in search order.
- 3 In the center pane, click each entry and verify the entry information in the right pane.

The screenshot shows the Code Replacement Viewer interface. On the left, the Code Replacement Library contains a folder named 'Addition & Subtraction Examples' with a sub-entry 'cr1\_table\_addsub'. The main pane displays a list of replacements with columns for Name and Implementation. The selected entry is 'RTW\_OP\_ADD' with implementation 'u16\_add\_u16\_u16'. The right pane provides detailed information for this replacement, including a summary of key properties and conceptual/implementation argument tables.

Name	Implementation
RTW_OP_ADD	u8_add_u8_u8
RTW_OP_ADD	u16_add_u16_u16
RTW_OP_ADD	s16_add_s16_s16
RTW_OP_ADD	s16_add_s16_s16
RTW_OP_ADD	s16_add_s16_s16_ml
RTW_OP_MINUS	s16_sub_s16_s16
RTW_OP_MINUS	s8_sub_s8_s8
RTW_OP_MINUS	s16_sub_s16_s16_ml
RTW_OP_MINUS	s32_sub_s32_s32
RTW_OP_MINUS	u32_sub_u32_u32
RTW_OP_MINUS	s8_cboSub_s16_s16
RTW_OP_MINUS	s8_caoSub_s16_s16

**RTW\_OP\_ADD**

General Information

Summary

Description:

Key: RTW\_OP\_ADD with

Implementation: u16\_add\_u16\_u16

Implementation type: FCN\_IMPL\_FUNCT

Saturation mode: RTW\_WRAP\_ON\_C

Rounding mode: RTW\_ROUND\_CEIL

EntryInfo: RTW\_CAST\_BEFOI

GenCallback file:

Implementation header: u16\_add\_u16\_u16.

Implementation source: u16\_add\_u16\_u16.

Priority: 90

Total usage count: 0

Entry class: RTW.TfICOperator

Entry argument(s)

**Conceptual argument(s):**

Name	I/O type	Data type
y1	RTW_IO_OUTPUT	uint16
u1	RTW_IO_INPUT	uint16
u2	RTW_IO_INPUT	uint16

**Implementation:**

Name	I/O type	Data type	Align
y1	RTW_IO_OUTPUT	uint16	none
u1	RTW_IO_INPUT	uint16	none
u2	RTW_IO_INPUT	uint16	none

Help

- Argument order is correct.

- Conceptual argument names match code generator naming conventions.
- Implementation argument names are correct.
- Algorithm properties (for example, saturation and rounding mode) are set correctly.
- Header or source file specification is not missing.
- I/O types are correct.
- Relative priority of entries is correct.

## Review Code Replacements

After you review the content of your code replacement library and tables, generate code and a code generation report. Verify that the code generator replaces code as you expect.

The Code Replacements Report details the code replacement library functions that the code generator uses for code replacements. The report provides a mapping between each replacement instance and the line of MATLAB code that triggered the replacement. The Code Replacements report is not available for generated MEX functions.

The following example illustrates two complementary approaches for reviewing code replacements:

- Check the Code Replacements Report section of the code generation report for expected replacements.
- Trace code replacements.

- 1 Identify the MATLAB function where you anticipate that a function or operator replacement occurs. This example uses the function `matlabroot/toolbox/rtw/rtwdemos/crl_demo/addsub_two_int16.m`.

```
function [y1, y2] = addsub_two_int16(u1, u2)
```

```
y1 = int16(u1 + u2);  
y2 = int16(u1 - u2);
```


- 2 Identify or create code or a script to exercise the function. For example, consider test file `addsub_to_int16_test.m`, which includes the following code:

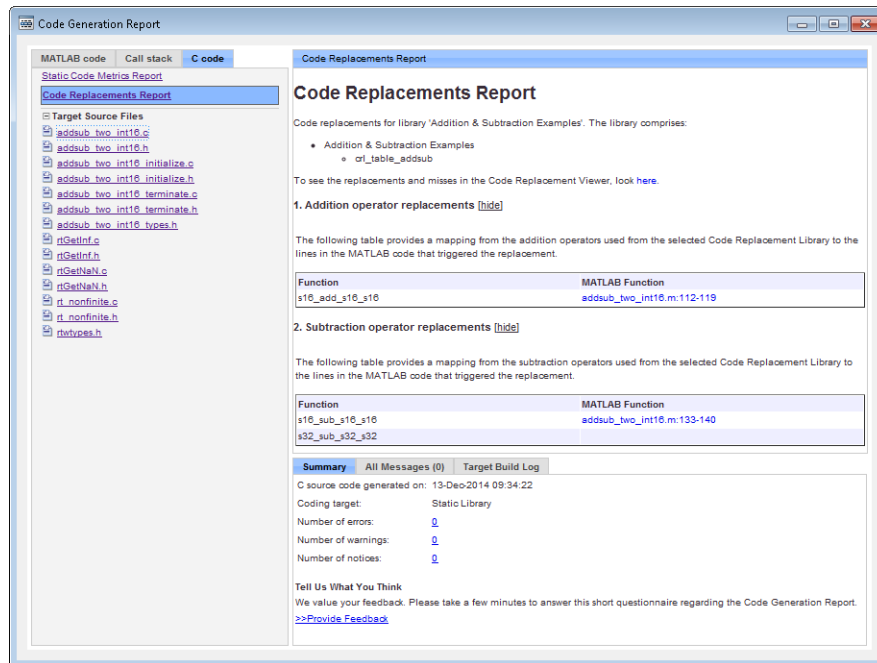
```
disp('Input')  
u1 = int16(10)
```

```
u2 = int16(10)

[y1, y2] = addsub_two_int16(u1, u2);

disp('Output')
disp('y1 =')
disp(y1);
disp('y2 =')
disp(y2);
```

- 3 Open the MATLAB Coder app.
- 4 On the **Select Source Files** page, add your function to the project. For this example, add function `addsub_two_int16`. Click **Next**.
- 5 On the **Define Input Types** page, use the test file `addsub_to_int16_test` to automatically define the input types. Click **Next**.
- 6 On the **Check for Run-Time Issues** page, specify the test file `addsub_to_int16_test`. The app runs the test file, replacing calls to `addsub_to_int16_test` with calls to a MEX version of `addsub_to_int16_test`. Click **Next**.
- 7 To open the **Generate** dialog box, on the **Generate Code** page, click the **Generate** arrow .
- 8 Set **Build type** to generate source code. Before you build an executable, you want to review your code replacements in the generated code.
- 9 In the Generate dialog box, click **More Settings**.
- 10 Configure the code generator to use your code replacement library. On the **Custom Code** tab, set the **Code replacement library** parameter to the name of your library. For this example, set the library to **Addition & Subtraction Examples**.
- 11 Configure the code generation report to include the Code Replacements Report. On the **Debugging** tab, select:
  - **Always create a code generation report**
  - **Code replacements**
  - **Automatically launch a report if one is generated**
- 12 To generate code and a report, click **Generate**.
- 13 Open the **Code Replacements Report** section of the code generation report.



That report lists the replacement functions that the code generator used. The report provides a mapping between each replacement instance and the MATLAB code that triggered the replacement.

Review the report:

- Check whether expected function and operator code replacements occurred.
- In the replacements sections, click each code link to see the source that triggered the reported code replacement.

If a function or operator is not replaced as expected, the code generator used a higher-priority (lower-priority value) match or did not find a match.

To analyze and troubleshoot code replacement misses, use the trace information that the Code Replacement Viewer provides. See “Troubleshoot Code Replacement Misses” on page 25-76.



## Related Examples

- “Replace Code Generated from MATLAB Code” on page 47-20
- “Code Verification Through Software-in-the-Loop and Processor-in-the-Loop Execution” on page 38-2
- “C/C++ Code Generation”
- “Replace Code Generated from MATLAB Code” on page 47-20
- “Develop a Code Replacement Library” on page 25-16
- Replacing Math Functions and Operators

## More About

- “Code Replacement Hits and Misses” on page 25-66
- “Code Generation Reports”
- “Generation of Traceable Code”
- “Code Replacement Libraries” on page 47-14
- “Code Replacement Terminology” on page 47-16
- “Code Replacement Limitations” on page 47-19

## Troubleshoot Code Replacement Misses

Use miss reason messages that appear in the Code Replacement Viewer to analyze and correct code replacement misses.

### In this section...

“Miss Reason Messages” on page 25-76

“Analyze and Correct Code Replacement Misses” on page 25-77

### Miss Reason Messages

The Code Replacement Viewer displays miss reason messages in trace information for code replacement misses. A legend listing each message that appears in the miss report precedes the report details. A message consists of:

- Numeric identifier, which identifies the message in the report details.
- Message text, which in some cases includes placeholders for names of arguments, call site object values, table entry values, and property names.

For example:

1. Mismatched data types (argument name, CS0 value, table entry value)

The parenthetical information represents placeholders for actual values that appear in the report details.

In the **Miss Source Locations** table that lists the miss details, the **Reason** column includes:

- The message identifier, as listed in the legend.
- The placeholder values for that instance of the miss reason message.

The following **Reason** details indicate a data type mismatch because the call site object specifies data type `int8` for arguments `y1`, `u1`, and `u2`, while the code replacement table entry specifies `uint32`.

1. `y1, int8, uint32`  
`u1, int8, uint32`  
`u2, int8, uint32`

Depending on your situation and the reported miss reason, troubleshoot reported misses by looking for instances of the following:

- A typo in the code replacement table entry definition or a source parameter setting.
- Information missing from the code replacement table entry or a source parameter setting.
- Invalid or incorrect information in the code replacement table entry definition or a source parameter setting.
- Arguments incorrectly ordered in the code replacement table entry definition or the source being replaced with replacement code.
- Failed algorithm classification for an addition or subtraction operation due to:
  - An ideal accumulator not being calculated because the type of an input argument is not fixed-point or the slope adjustment factors of the input arguments are not equal.
  - Input or output casts with a floating-point cast type.
  - Input or output casts with cast types that have different slope adjustment factors or biases.
  - Output casts not being convertible to a single output cast.
  - Input casts resulting in loss of bits.

## Analyze and Correct Code Replacement Misses

The following example shows how to use Code Replacement Viewer trace information to troubleshoot code replacement misses. You must have already reviewed and tested code replacements for your MATLAB code.

- 1 Review the code generated for a specific code element, looking for expected code replacement. Regenerate or reopen the code generation report for your MATLAB code. If you already generated the code generation report that includes the Code Replacements Report for `matlabroot/toolbox/rtw/rtwdemos/crl_demo/addsub_two_int16.m`, open the file `codegen/lib/addsub_two_int16/html/index.html`. For information on how to regenerate the report, see “Review and Test Code Replacements” on page 25-67.

To examine the code generated for function, from the code generation report, open the generated file `addsub_two_int16.c`.

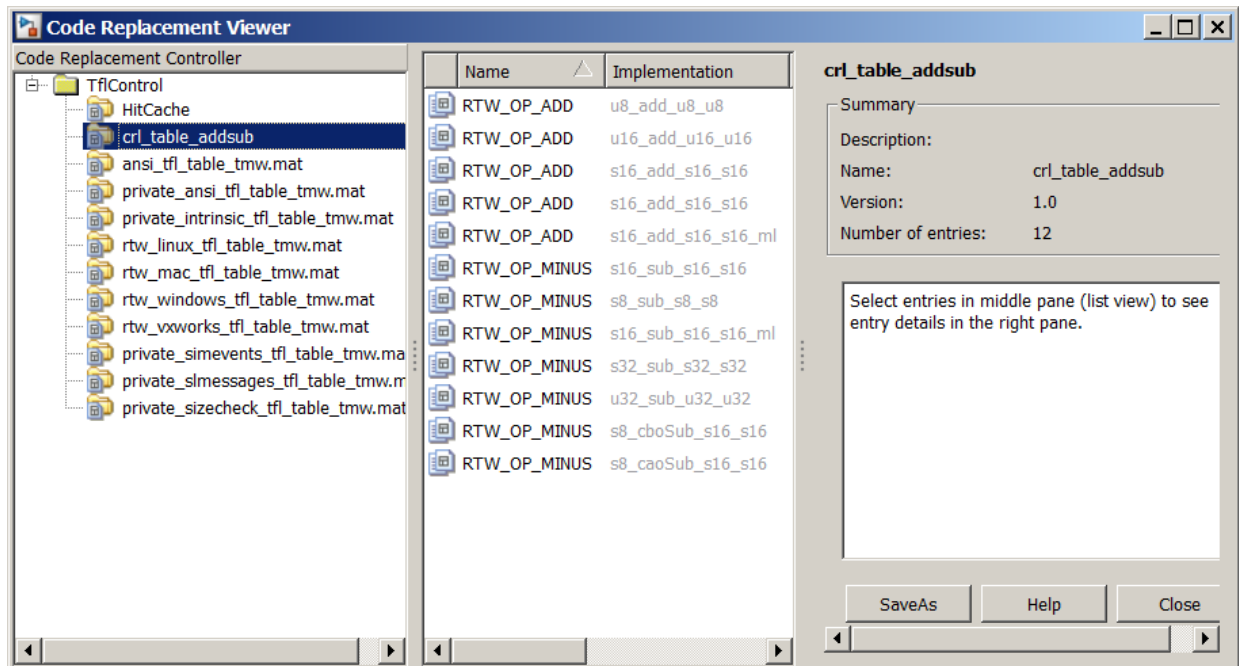
```

21  */
22  void addsub_two_int16(short u1, short u2, short *b_y1, short *y2)
23  {
24      *b_y1 = s16_add_s16_s16(u1, u2);
25      *y2 = s16_sub_s16_s16(u1, u2);
26  }
27  **

```

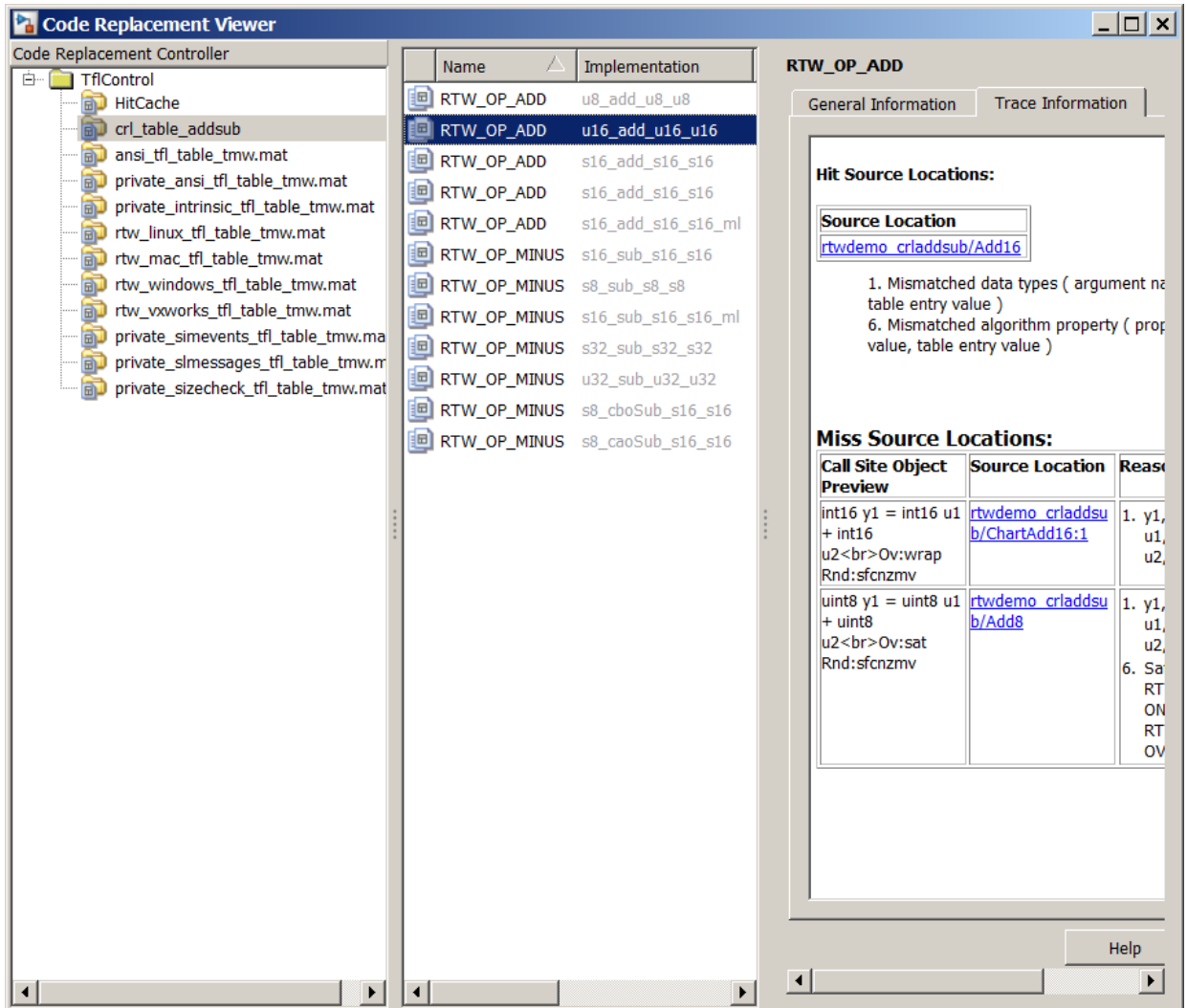
The code generator replaced code, but the replacement is for the signed version of the 16-bit addition and subtraction operations. You expected code replacements for operations on unsigned data.

- 2 Open the Code Replacements Report for the MATLAB code.
- 3 Click the link to open the Code Replacement Viewer.
- 4 In the viewer left pane, select your code replacement table. The following display shows entries for code replacement table `cr1_table_addsub`.



- 5 In the middle pane, select table entry `RTW_OP_ADD` with implementation function `u16_add_u16_u16`.

6 In the right pane, select the **Trace Information** tab.



The **Trace Information** is a table that lists the following information for each miss:

- Call site object preview. The call site object is the conceptual representation of addition operator. The code generator uses this object to query the code replacement library for a match.
- A link to the source location in the MATLAB function where the code generator considered replacing code.
- The reasons that the miss occurred. See “Miss Reason Messages” on page 25-76.

For this example, the report shows misses for function `addsub_two_int16.m`.

- 7 Find that source in the trace information. Depending on your situation and the reported miss reason, consider looking for a condition such as a typo in the code replacement table entry definition or a source parameter setting. For a list of conditions to consider, see “Miss Reason Messages” on page 25-76.

For this example, determine why code for function `addsub_two_int16` is not replaced with code for an unsigned 16-bit addition operation. The miss reasons for the function indicate data type and algorithm mismatches. For the three arguments:

- The data type in the call site object is a signed 16-bit integer. The code replacement entry specifies an unsigned 16-bit integer.
  - The algorithm property in the call site object is `RTW_SATURATE_ON_OVERFLOW` while the code replacement entry specifies `RTW_WRAP_ON_OVERFLOW`.
- 8 Correct the specified MATLAB code and relevant specifications or code replacement table entry. If the issue concerns the MATLAB code, use the source location in the trace information to find the code to correct. For this example, you expected an unsigned addition operation to occur for the `addsub_two_int16` function.

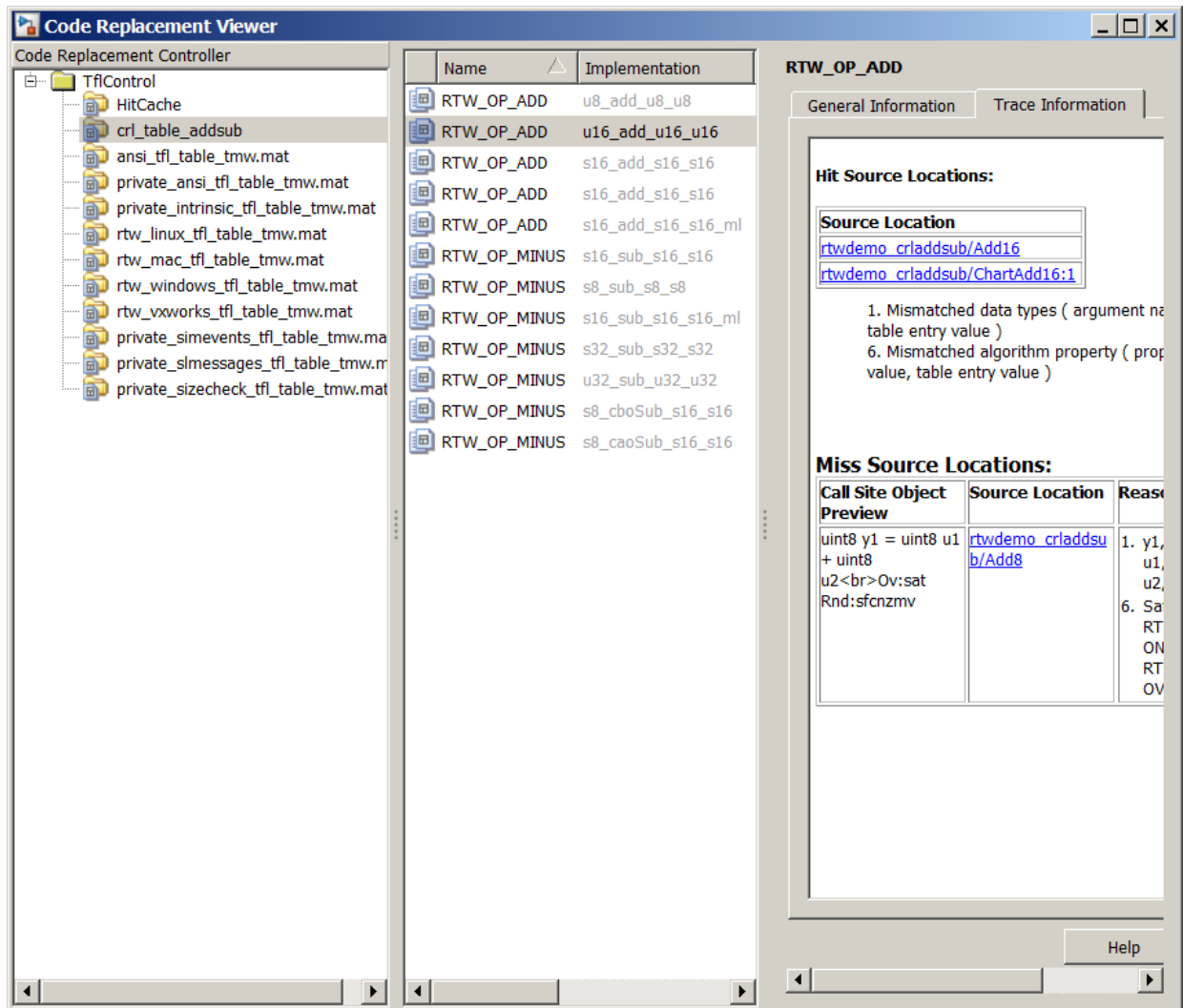
To fix the mismatches, in the test file `addsub_to_int16_test`, change the data types definitions for `u1` and `u2` as follows:

```
u1 = uint16(10)
u2 = uint16(10)
```

In the MATLAB Coder app:

- Open the project that contains the `addsub_to_int16` function.
- Use the updated test file `addsub_to_int16_test` to automatically redefine the input types.

- Run the test file.
  - In the project settings dialog box, on the **Speed** tab, clear the check box for the **Saturate on integer overflow** parameter.
  - Regenerate code and a report.
- 9 From the Code Replacements Report, open the Code Replacement Viewer. Use the Code Replacement Viewer trace information to verify that your MATLAB code or code replacement table entry corrects the code replacement issue. In the following display, the trace information shows a hit for function `addsub_two_int16`.



## Related Examples

- “Review and Test Code Replacements” on page 25-67
- “Addition and Subtraction Operator Code Replacement” on page 25-109



## **More About**

- “Code Replacement Hits and Misses” on page 25-66

## Deploy Code Replacement Library

When you are ready to package and deploy a custom code replacement library for others to use,

- 1 Move your code replacement table files to an area that is on the MATLAB search path and that is accessible to and shared by other users.
- 2 Move the `rtwTargetInfo.m` registration file, to an area that is on the MATLAB search path and that is accessible to and shared by other users. If you are deploying a library to a folder in a development environment that already contains a `rtwTargetInfo.m` file, copy the registration code from your code replacement library version of `rtwTargetInfo.m` and paste it into the shared version of that file.
- 3 Register the library customizations or restart MATLAB.
- 4 Verify that the libraries are available for configuring the code generator and that code replacements occur as expected.
- 5 Inform users that the libraries are available and provide direction on when and how to apply them.

### Related Examples

- “Review and Test Code Replacements” on page 25-67
- “Develop a Code Replacement Library” on page 25-16

### More About

- “What Is Code Replacement?” on page 47-2
- “What Is Code Replacement Customization?” on page 25-3
- “Code Replacement Libraries” on page 47-14
- “Code Replacement Terminology” on page 47-16

## Math Function Code Replacement

This example shows how to define a code replacement mapping for a math function. The example defines a mapping for the `sin` function programmatically. Alternatively, you can use the Code Replacement Tool to define the same mapping.

- 1 Create a table definition file that contains a function definition. For example:

```
function hTable = crl_table_sinfcn2()
%CRL_TABLE_SINFCN2 - Define function entry for code replacement table.
```

- 2 Within the function body, create the table by calling the function `RTW.Tf1Table`.

```
hTable = RTW.Tf1Table;
```

- 3 Create an entry for the function mapping with a call to the `RTW.Tf1CFunctionEntry` function.

```
% Create entry for sin function replacement
fcn_entry = RTW.Tf1CFunctionEntry;
```

- 4 Set function entry parameters with a call to the `setTf1CFunctionEntryParameters` function.

```
setTf1CFunctionEntryParameters(fcn_entry, ...
    'Key', 'sin', ...
    'Priority', 30, ...
    'ImplementationName', 'mySin', ...
    'ImplementationHeaderFile', 'basicMath.h',...
    'ImplementationSourceFile', 'basicMath.c');
```

- 5 Create conceptual arguments `y1` and `u1`. There are multiple ways to set up the conceptual arguments. This example uses calls to the `createAndAddConceptualArg` function to create and add an argument with one function call.

```
createAndAddConceptualArg(fcn_entry, 'RTW.Tf1ArgNumeric', ...
    'Name', 'y1',...
    'IOType', 'RTW_IO_OUTPUT',...
    'DataTypeMode', 'double');
```

```
createAndAddConceptualArg(fcn_entry, 'RTW.Tf1ArgNumeric', ...
    'Name', 'u1', ...
    'IOType', 'RTW_IO_INPUT',...
    'DataTypeMode', 'double');
```

- 6 Copy the conceptual arguments to the implementation arguments. There are multiple ways to set up the implementation arguments. This example uses a call to the `copyConceptualArgsToImplementation` function to create and add implementation arguments to the entry by copying matching conceptual arguments.

```
copyConceptualArgsToImplementation(fcn_entry);
```

- 7 Add the entry to a code replacement table with a call to the `addEntry` function.

```
addEntry(hTable, fcn_entry);
```

- 8 Save the table definition file. Use the name of the table definition function to name the file.

## Related Examples

- “Define Code Replacement Mappings” on page 25-31
- “Specify In-Place Code Replacement” on page 25-89
- “Reserved Identifiers and Code Replacement” on page 25-103
- “Customize Match and Replacement Process” on page 25-105
- “Develop a Code Replacement Library” on page 25-16
- “Quick Start Library Development” on page 25-17

## More About

- “Code You Can Replace from MATLAB Code” on page 25-4
- “Code Replacement Terminology” on page 47-16

## Memory Function Code Replacement

This example shows how to define a code replacement mapping for a memory function. The example defines a mapping for the `memcpy` function programmatically. Alternatively, you can use the Code Replacement Tool to define the same mapping.

- 1 Create a table definition file that contains a function definition. For example:

```
function hTable = crl_table_memcpy()
```

- 2 Within the function body, create the table by calling the function `RTW.Tf1Table`.

```
hTable = RTW.Tf1Table;
```

- 3 Create an entry for the function mapping with a call to the `RTW.Tf1CFunctionEntry` function.

```
% Create entry for void* memcpy(void*, void*, size_t)
fcn_entry = RTW.Tf1CFunctionEntry;
```

- 4 Set function entry parameters with a call to the `setTf1CFunctionEntryParameters` function.

```
% Set SideEffects to 'true' for function returning void to prevent it from
% being optimized away.
setTf1CFunctionEntryParameters(fcn_entry, ...
    'Key', 'memcpy', ...
    'Priority', 90, ...
    'ImplementationName', 'memcpy_int', ...
    'ImplementationHeaderFile', 'memcpy_int.h', ...
    'SideEffects', true);
```

- 5 Create conceptual arguments `y1`, `u1`, `u2`, and `u3`. There are multiple ways to set up the conceptual arguments. This example uses calls to the `getTf1ArgFromString` and `addConceptualArg` functions to create and add the arguments.

```
arg = getTf1ArgFromString(hTable, 'y1', 'void*');
arg.IOType = 'RTW_IO_OUTPUT';
addConceptualArg(fcn_entry, arg);
```

```
arg = getTf1ArgFromString(hTable, 'u1', 'void*');
addConceptualArg(fcn_entry, arg);
```

```
arg = getTf1ArgFromString(hTable, 'u2', 'void*');
addConceptualArg(fcn_entry, arg);
```

```
arg = getTf1ArgFromString(hTable, 'u3', 'size_t');
addConceptualArg(fcn_entry, arg);
```

- 6 Copy the conceptual arguments to the implementation arguments. There are multiple ways to set up the implementation arguments. This example uses a call

to the `copyConceptualArgsToImplementation` function to create and add implementation arguments to the entry by copying matching conceptual arguments.

```
copyConceptualArgsToImplementation(fcn_entry);
```

- 7** Add the entry to a code replacement table with a call to the `addEntry` function.

```
addEntry(hTable, fcn_entry);
```

- 8** Save the table definition file. Use the name of the table definition function to name the file.

## Related Examples

- “Define Code Replacement Mappings” on page 25-31
- “Specify In-Place Code Replacement” on page 25-89
- “Reserved Identifiers and Code Replacement” on page 25-103
- “Customize Match and Replacement Process” on page 25-105
- “Develop a Code Replacement Library” on page 25-16
- “Quick Start Library Development” on page 25-17

## More About

- “Code You Can Replace from MATLAB Code” on page 25-4
- “Code Replacement Terminology” on page 47-16

## Specify In-Place Code Replacement

In-place code replacement is an optimization technique that uses a single buffer, that is, the same memory, to store function input and output data, as in  $x = f_{00}(x)$ .

When you generate C or C++ code from MATLAB code, the code generator supports in-place function argument code replacement. When you interactively create a code replacement table entry with the Code Replacement Tool, you can specify in-place function argument replacement. You can also specify in-place function argument replacement programmatically with the Code Replacement Library API.

### In this section...

“Argument Specification Requirements” on page 25-89

“Interactive Argument Replacement Specification with Code Replacement Tool” on page 25-89

“Programmatic Argument Replacement Specification” on page 25-93

### Argument Specification Requirements

- The argument must be a pointer.
- An argument can be in-place with only one other argument.
- Specify an input argument as in-place (shares memory) with an output argument or an output argument as in-place with an input argument.

### Interactive Argument Replacement Specification with Code Replacement Tool

This example shows how to specify in-place function argument replacement when replacing code for a MATLAB function with the Code Replacement Tool. The tool enforces in-place argument specification requirements as you add arguments and modify argument properties.

- 1 Create the following MATLAB function, `customFunction.m`.

```
function x = customFunction(x)
% Function that updates the input and returns it as an output
```

```
coder.replace('-errorifnoreplacement');  
x = sin(x);
```

- 2 In the Code Replacement Tool, add a new table, select that table, and add a new function entry. For more information, see “Define Code Replacement Mappings” on page 25-31.
- 3 On the **Mapping Information** tab, select **Custom** for the **Function** parameter.
- 4 In the **function-name** text box, name the custom function. For this example, type the name **customFunction**.
- 5 Under the **Conceptual arguments** list box, click **+** to add two arguments. By default, the tool creates an output argument *y1* and an input argument *u1*, both of type **double**.
- 6 In the **Replacement function > Function prototype** section, type the name **custom\_function\_inplace\_impl** in the **Name** text box.
- 7 Under the **Function arguments** list box, click **+** to add two function implementation arguments. By default, the tool creates an output argument *y1* and an input argument *u1*, both of type **double**.
- 8 For each input argument that you want to specify as in-place with a corresponding output argument, in the **Argument properties** box, select the **Pointer** check box. The **Argument properties** section of the dialog box expands to include an **In-place argument** drop-down list. For this example, in the **Function arguments** list, select input argument *u1*, and then select the **Pointer** check box.



Replacement function

Function prototype

Name:  C++ namespace:

Function returns void

Function arguments

y1(return arg)
u1

Argument properties

Data type:  I/O type:

Const  Pointer  Complex

Alignment value:

In-place argument mapping

In-place argument:

Make constant value

Function signature preview

```
double custom_function_inplace_impl( double u1);
```

- 9 From the **In-place argument** list, select *y1*, the output argument for the code replacement mapping. The **Function arguments** list box is updated to show possible in-place argument mappings.

Replacement function

Function prototype

Name:  C++ namespace:

Function returns void

Function arguments

```
void(return arg)
u1 <-> y1
y1 <-> u1
```

Argument properties

Data type:  I/O type:

Const  Pointer  Complex

Alignment value:

In-place argument mapping

In-place argument

Make constant value

Function signature preview

```
void custom_function_inplace_impl( double* u1, double* y1);
```

- 10 Select and delete one of the two possible argument mappings. For this example, delete the mapping `y1<->u1`.
- 11 In the **Function signature preview** box, if the function signature appears as expected, click **Apply**. Otherwise, make adjustments, and then click **Apply**. The function signature for this example, appears as
 

```
void custom_function_inplace_impl(double* u1);
```
- 12 Click **Validate entry**.
- 13 Save the code replacement table in the same folder as `customFunction.m`. Name the file `htfl_inplace_table.m`.

To test the example:

- 1 Register the table that contains the entry in a code replacement library.
- 2 Configure the code generator to use a code replacement library and to include the Code Replacements Report in the code generation report.
- 3 Generate the replacement code and a code generation report.
- 4 Review the code replacements.

## Programmatic Argument Replacement Specification

This example shows how to specify in-place function argument replacement when replacing code for a MATLAB function programmatically. For the input implementation argument that shares the memory buffer, the example:

- Sets the name of the implementation argument to the same name as the corresponding conceptual argument.
- Associates the corresponding implementation argument with the argument property `ArgumentForInPlaceUse`.

- 1 Create the following MATLAB function, `customFunction.m`.

```
function y = customFunction(x)
% Function that updates the input and returns it as an output

coder.replace('-errorifnoreplacement');
x = sin(x);
```

- 2 Create a table definition file that contains a function definition. For example:

```
function hTable = crl_table_inplace()
```

- 3 Within the function body, create the table by calling the function `RTW.Tf1Table`.

```
hTable = RTW.Tf1Table;
```

- 4 Create an entry for the function mapping with a call to the `RTW.Tf1CFunctionEntry` function.

```
hEnt = RTW.Tf1CFunctionEntry;
```

- 5 Set function entry parameters with a call to the `setTf1CFunctionEntryParameters` function.

```
setTf1CFunctionEntryParameters(hEnt, ...
    'Key', 'customFunction', ...
    'Priority', 100, ...
    'ImplementationName', 'custom_function_inplace_impl', ...
    'SideEffects', true);
```

- 6 Create conceptual arguments `y1` and `u1`. This example uses calls to the `getTf1ArgFromString` and `addConceptualArg` functions to create and add the arguments.

```
arg = getTf1ArgFromString(hEnt, 'y1', 'double');
arg.IOType = 'RTW_IO_OUTPUT';
addConceptualArg(hEnt, arg);
```

```
arg = getTf1ArgFromString(hEnt, 'u1', 'double');  
addConceptualArg(hEnt, arg);
```

- 7 Create the implementation arguments and add them to the entry. This example uses calls to the `getTf1ArgFromString` function to create implementation arguments that map to arguments in the replacement function prototype: output argument `y1` and input argument `u1`. For each argument, the example uses the convenience method `setReturn` or `addArgument` to specify whether an argument is a return value or argument. For each argument, this example adds the argument to the entry array of implementation arguments.

```
arg = getTf1ArgFromString(hEnt, 'y2', 'void');  
arg.IOType = 'RTW_IO_OUTPUT';  
hEnt.Implementation.setReturn(arg);
```

```
arg = getTf1ArgFromString(hEnt, 'u1', 'double*');  
arg.ArgumentForInPlaceUse = 'y1';  
hEnt.Implementation.addArgument(arg);
```

- 8 Add the entry to a code replacement table with a call to the `addEntry` function.

```
addEntry(hLib, hEnt);
```

- 9 Save the table definition file. Use the name of the table definition function to name the file.

To test the example:

- 1 Register the table that contains the entry in a code replacement library.
- 2 Configure the code generator to use a code replacement library and to include the Code Replacements Report in the code generation report.
- 3 Generate the replacement code and a code generation report.
- 4 Review the code replacements.

## Related Examples

- “Define Code Replacement Mappings” on page 25-31
- “Develop a Code Replacement Library” on page 25-16
- “Quick Start Library Development” on page 25-17

## More About

- “Code You Can Replace from MATLAB Code” on page 25-4

- “Code Replacement Terminology” on page 47-16

## Replace MATLAB Functions with Custom Code Using `coder.replace`

The `coder.replace` function provides the ability to replace a specified MATLAB function with a code replacement function in generated code. Use `coder.replace` in MATLAB code from which you want to generate C code using:

- MATLAB Coder
- MATLAB code in a Simulink MATLAB Function block

You can replace MATLAB functions that have:

- Single or multiple inputs
- Single or multiple outputs
- Scalar and matrix inputs and outputs

Supported types include:

- `single`, `double` (complex and noncomplex)
- `int8`, `uint8` (complex and noncomplex)
- `int16`, `uint16` (complex and noncomplex)
- `int32`, `uint32` (complex and noncomplex)
- Fixed-point integers
- Mixed types (different type on each input)

### Related Examples

- “Define Code Replacement Mappings” on page 25-31
- “Register Code Replacement Mappings” on page 25-57
- “Develop a Code Replacement Library” on page 25-16
- “Quick Start Library Development” on page 25-17

### More About

- “Code You Can Replace from MATLAB Code” on page 25-4
- “Code Replacement Terminology” on page 47-16

## Replace `coder.ceval` Calls to External Functions

The `coder.ceval` function calls external C/C++ functions from code generated from MATLAB code. The code replacement software supports replacement of the function that you specify in a call to `coder.ceval`. An application of this code replacement scenario is to write generic MATLAB code that you can customize for different platforms with code replacements. A code replacement library can define hardware-specific code replacements for the function call. Use `coder.ceval` in MATLAB code from which you want to generate C code using:

- MATLAB Coder
- MATLAB code in a Simulink MATLAB Function block

### In this section...

“Example Files” on page 25-97

“Interactive External Function Call Replacement Specification with Code Replacement Tool” on page 25-99

“Programmatic External Function Call Replacement Specification” on page 25-100

## Example Files

For the examples in “Interactive External Function Call Replacement Specification with Code Replacement Tool” on page 25-99 and “Programmatic External Function Call Replacement Specification” on page 25-100 you must have set up the following:

- Custom C function `my_add.c`.

```
/* my_add.c */  
  
#include "my_add.h"  
  
double my_add(double in1, double in2)  
{  
    return in1 + in2;  
}
```

- Custom C header file `my_add.h`.

```
/* my_add.h */
```

```
double my_add(double in1, double in2);
```

- MATLAB function `call_my_add.m`, which uses `coder.ceval` to invoke `my_add.c`.

```
function y = call_my_add(in1, in2) %#codegen

y=0.0;

if ~coder.target('Rtw')
% Executing in MATLAB, call MATLAB equivalent of C function my_add
    y= in1+in2;
else
% Executing in generated code, call C function my_add
    y = coder.ceval('my_add', in1, in2);
end
```

- MATLAB test function `call_my_add_test.m`, which calls `call_my_add.m`.

```
in1=10;
in2=20;

y = call_my_add(in1, in2);

disp('Output')
disp('y =')
disp(y);
```

- Replacement C function `my_add_replacement.c`.

```
/* my_add_replacement.c */

#include "my_add_replacement.h"

double my_add_replacement(double in1, double in2)
{
    return in1 + in2;
}
```

- Replacement C header file `my_add_replacement.h`.

```
/* my_add_replacement.h */

double my_add_replacement(double in1, double in2);
```



## Interactive External Function Call Replacement Specification with Code Replacement Tool

This example shows how to define a code replacement table entry for a MATLAB function that calls `coder.ceval` to invoke an external C function. The example shows how to define the entry interactively with the Code Replacement Tool.

- 1 Identify or create the C/C++ code and relevant header files, the MATLAB function that calls `coder.ceval`, a MATLAB test function, and the source and header files for your replacement code. To follow along with this example, set up the files identified in “Example Files” on page 25-97.
- 2 In the Code Replacement Tool, add a table, select that table, and add a function entry. For more information, see “Define Code Replacement Mappings” on page 25-31.
- 3 On the **Mapping Information** tab, select **Custom** for the **Function** parameter.
- 4 In the **function-name** text box, type the custom function name. For this example, type the name `my_add`.
- 5 Under the **Conceptual arguments** list box, click **+** to add three arguments. By default, the tool creates an output argument `y1` and input arguments `u1` and `u2` of type `double`.
- 6 In the **Replacement function > Function prototype** section, type the name `my_add_replacement` in the **Name** text box.
- 7 Under the **Function arguments** list box, click **+** to add three function implementation arguments. By default, the tool creates an output argument `y1` and input arguments `u1` and `u2` of type `double`. Use the default settings.
- 8 In the **Function signature preview** box, if you see the expected function signature, click **Apply**. The function signature for this example, appears as:  

```
double my_add_replacement(double u1, double u2);
```
- 9 On the **Build Information** tab, specify `my_add_replacement.h` for the **Implementation header file** parameter and `my_add_replacement.c` for the **Implementation source file**.
- 10 Click **Validate entry**.
- 11 Save the code replacement table in the same folder as `my_add_replacement.c`. Name the file `cr1_table_my_add.m`.

To test the example:

- 1 Register the table that contains the entry in a code replacement library.
- 2 Configure the code generator to use the code replacement library and to include the Code Replacements Report in the code generation report.
- 3 Generate code and the report.
- 4 Review the code replacements.

## Programmatic External Function Call Replacement Specification

This example shows how to define a code replacement table entry for a MATLAB function that calls `coder.ceval` to invoke an external C function. The example shows how to define the entry programmatically.

- 1 Identify or create the C/C++ code and relevant header files, the MATLAB function that calls `coder.ceval` to invoke the C/C++ function, a MATLAB test function, and the source and header files for your replacement code. To follow along with this example, set up the files identified in “Example Files” on page 25-97.
- 2 Create a table definition file that contains a function definition. For example:

```
function hLib = crl_table_my_add
```

- 3 Within the function body, create the table by calling the function `RTW.Tf1Table`.
- 4 Create an entry for the function mapping with a call to the `RTW.Tf1CFunctionEntry` function.

```
hEnt = RTW.Tf1CFunctionEntry;
```

- 5 Set function entry parameters with a call to the `setTf1CFunctionEntryParameters` function.

```
hEnt.setTf1CFunctionEntryParameters( ...  
    'Key', 'my_add', ...  
    'Priority', 100, ...  
    'ImplementationName', 'my_add_replacement', ...  
    'ImplementationHeaderFile', 'my_add_replacement.h', ...  
    'ImplementationSourceFile', 'my_add_replacement.c');
```

- 6 Create conceptual arguments `y1`, `u1`, and `u1`. This example uses calls to the `getTf1ArgFromString` and `addConceptualArg` functions to create and add the arguments.

```
arg = hEnt.getTf1ArgFromString('y1','double');  
arg.IOType = 'RTW_IO_OUTPUT';
```

```

hEnt.addConceptualArg(arg);

arg = hEnt.getTflArgFromString('u1','double');
hEnt.addConceptualArg(arg);

arg = hEnt.getTflArgFromString('u2','double');
hEnt.addConceptualArg(arg);

```

- 7 Create the implementation arguments and add them to the entry. This example uses calls to the `getTflArgFromString` function to create implementation arguments. These functions map to arguments in the replacement function prototype: output argument `y1` and input arguments `u1` and `u2`. For each argument, the example uses the convenience method `setReturn` or `addArgument` to specify whether an argument is a return value or argument. For each argument, this example adds the argument to the entry array of implementation arguments.

```

arg = hEnt.getTflArgFromString('y1','double');
arg.IOType = 'RTW_IO_OUTPUT';
hEnt.Implementation.setReturn(arg);

arg = hEnt.getTflArgFromString('u1','double');
hEnt.Implementation.addArgument(arg);

arg = hEnt.getTflArgFromString('u2','double');
hEnt.Implementation.addArgument(arg);

```

- 8 Add the entry to a code replacement table with a call to the `addEntry` function.

```
hLib.addEntry(hEnt);
```

- 9 Save the table definition file. Use the name of the table definition function to name the file.

To test the example:

- 1 Register the table that contains the entry in a code replacement library.
- 2 Configure the code generator to use the code replacement library and to include the Code Replacements Report in the code generation report.
- 3 Generate code and the report.
- 4 Review the code replacements.

## Related Examples

- “Define Code Replacement Mappings” on page 25-31

- “Develop a Code Replacement Library” on page 25-16
- Replacing Math Functions and Operators
- “Quick Start Library Development” on page 25-17

### **More About**

- “Code Replacement Match and Replacement Process” on page 25-14
- “Code Replacement Terminology” on page 47-16

## Reserved Identifiers and Code Replacement

The code generator and C programming language use, internally, reserved keywords for code generation. Do not use reserved keywords as identifiers or function names. Reserved keywords for code generation include many code replacement library identifiers, the majority of which are function names, such as `acos`.

To view a list of reserved identifiers for the code replacement library that you use to generate code, specify the name of the library in a call to the function `RTW.TargetRegistry.getInstance.getTf1ReservedIdentifiers`. For example:

```
cr1_ids = RTW.TargetRegistry.getInstance.getTf1ReservedIdentifiers('GNU99 (GNU)')
```

In a code replacement table, the code generator registers each function implementation name defined by a table entry as a reserved identifier. You can register additional reserved identifiers for the table on a per-header-file basis. Providing additional reserved identifiers can help prevent duplicate symbols and other identifier-related compile and link issues.

To register additional code replacement reserved identifiers, use the `setReservedIdentifiers` function. This function registers specified reserved identifiers to be associated with a code replacement table.

You can register up to four reserved identifier structures in a code replacement table. You can associate one set of reserved identifiers with a code replacement library, while the other three (if present) must be associated with ANSI C. The following example shows a reserved identifier structure that specifies two identifiers and the associated header file.

```
d{1}.LibraryName = 'ANSI_C';  
d{1}.HeaderInfos{1}.HeaderName = 'math.h';  
d{1}.HeaderInfos{1}.ReservedIds = {'y0', 'y1'};
```

The code generator adds the identifiers to the list of reserved identifiers and honors them during the build procedure.

### Related Examples

- “Define Code Replacement Mappings” on page 25-31
- “Register Code Replacement Mappings” on page 25-57
- “Develop a Code Replacement Library” on page 25-16
- “Quick Start Library Development” on page 25-17

- Replacing Math Functions and Operators

### **More About**

- “What Is Code Replacement Customization?” on page 25-3
- “Code Replacement Terminology” on page 47-16

## Customize Match and Replacement Process

During the build process, the code generator uses:

- Preset match criteria to identify functions and operators for which application-specific implementations replace default implementations.
- Preset replacement function signatures.

It is possible that preset match criteria and preset replacement function signatures do not completely meet your function and operator replacement needs. For example:

- You want to replace an operator with a particular fixed-point implementation function only when fraction lengths are within a particular range.
- When a match occurs, you want to modify your replacement function signature based on compile-time information, such as passing fraction-length values into the function.

To add extra logic into the code replacement match and replacement process, create custom code replacement table entries. With custom entries, you can specify additional match criteria and modify the replacement function signature to meet application needs.

To create a custom code replacement entry:

- 1 Create a custom code replacement entry class, derived from `RTW.Tf1CFunctionEntryML` (for function replacement) or `RTW.Tf1COperationEntryML` (for operator replacement).
- 2 In your derived class, implement a `do_match` method with a fixed preset signature as a MATLAB function. In your `do_match` method, provide either or both of the following customizations that instantiate the class:
  - Add match criteria that the base class does not provide. The base class provides a match based on:
    - Argument number
    - Argument name
    - Signedness
    - Word size
    - Slope (if not specified with wildcards)
    - Bias (if not specified with wildcards)
    - Math modes, such as saturation and rounding

- Operator or function key
  - Modify the implementation signature by adding additional arguments or setting constant input argument values. You can inject a constant value, such as an input scaling value, as an additional argument to the replacement function.
- 3** Create code replacement entries that instantiate the custom entry class.
  - 4** Register a library containing the code replacement table that includes your entries.

During code generation, the code replacement match process tries to match function or operator call sites with the base class of your derived entry class. If the process finds a match, the software calls your `do_match` method to execute your additional match logic (if any) and your replacement function customizations (if any).

## Related Examples

- “Customize Match and Replacement Process for Operators” on page 25-170
- “Define Code Replacement Mappings” on page 25-31
- “Register Code Replacement Mappings” on page 25-57
- “Review and Test Code Replacements” on page 25-67
- “Develop a Code Replacement Library” on page 25-16

## More About

- “Code Replacement Match and Replacement Process” on page 25-14
- “Code Replacement Terminology” on page 47-16



## Scalar Operator Code Replacement

This example shows how to define a code replacement mapping for a scalar operator. The example defines a mapping for the + (addition) operator programmatically. Alternatively, you can use the Code Replacement Tool to define the same mapping.

- 1 Create a table definition file that contains a function definition. For example:

```
function hTable = crl_table_add_uint8
```

- 2 Within the function body, create the table by calling the function `RTW.Tf1Table`.

```
hTable = RTW.Tf1Table;
```

- 3 Create an entry for the operator mapping with a call to the `RTW.Tf1COperationEntry` function.

```
% Create operation entry
op_entry = RTW.Tf1COperationEntry;
```

- 4 Set function entry parameters with a call to the `setTf1COperationEntryParameters` function.

```
% Define addition operation of built-in uint8 data type
% Saturation on, Rounding unspecified
setTf1COperationEntryParameters(op_entry, ...
    'Key', 'RTW_OP_ADD', ...
    'Priority', 90, ...
    'SaturationMode', 'RTW_SATURATE_ON_OVERFLOW', ...
    'RoundingModes', {'RTW_ROUND_UNSPECIFIED'}, ...
    'ImplementationName', 'u8_add_u8_u8', ...
    'ImplementationHeaderFile', 'u8_add_u8_u8.h', ...
    'ImplementationSourceFile', 'u8_add_u8_u8.c');
```

- 5 Create conceptual arguments `y1`, `u1`, and `u2`. There are multiple ways to set up the conceptual arguments. This example uses calls to the `getTf1ArgFromString` and `addConceptualArg` functions to create and add the arguments.

```
arg = getTf1ArgFromString(hTable, 'y1', 'uint8');
arg.IOType = 'RTW_IO_OUTPUT';
addConceptualArg(op_entry, arg);
```

```
arg = getTf1ArgFromString(hTable, 'u1', 'uint8');
addConceptualArg(op_entry, arg);
```

```
arg = getTf1ArgFromString(hTable, 'u2', 'uint8');
addConceptualArg(op_entry, arg);
```

- 6 Copy the conceptual arguments to the implementation arguments. There are multiple ways to set up the implementation arguments. This example uses a call

to the `copyConceptualArgsToImplementation` function to create and add implementation arguments to the entry by copying matching conceptual arguments.

```
copyConceptualArgsToImplementation(op_entry);
```

- 7 Add the entry to a code replacement table with a call to the `addEntry` function.

```
addEntry(hTable, op_entry);
```

- 8 Save the table definition file. Use the name of the table definition function to name the file.

## Related Examples

- “Define Code Replacement Mappings” on page 25-31
- “Addition and Subtraction Operator Code Replacement” on page 25-109
- “Remap Operator Output to Function Input” on page 25-132
- “Customize Match and Replacement Process for Operators” on page 25-170
- “Develop a Code Replacement Library” on page 25-16
- “Quick Start Library Development” on page 25-17
- Replacing Math Functions and Operators

## More About

- “What Is Code Replacement?” on page 47-2
- “What Is Code Replacement Customization?” on page 25-3
- “Code You Can Replace from MATLAB Code” on page 25-4
- “Code Replacement Match and Replacement Process” on page 25-14
- “Code Replacement Libraries” on page 47-14
- “Code Replacement Terminology” on page 47-16

## Addition and Subtraction Operator Code Replacement

Consider the following when defining mappings for addition and subtraction operator code replacements.

### In this section...

“Algorithm Options” on page 25-109

“Interactive Specification with Code Replacement Tool” on page 25-110

“Programmatic Specification” on page 25-110

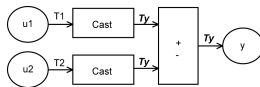
“Algorithm Classification” on page 25-110

“Limitations” on page 25-112

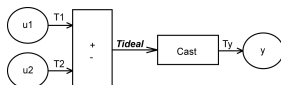
### Algorithm Options

When creating a code replacement table entry for an addition or subtraction operator, first determine the type of algorithm that your library function implements.

- **Cast-before-operation (CBO), default** — Prior to performing the addition or subtraction operation, the algorithm type casts input values to the output type. If the output data type cannot exactly represent the input values, losses can occur as a result of the cast to the output type. Additional loss can occur when the result of the operation is cast to the final output type.



- **Cast-after-operation (CAO)** — The algorithm computes the ideal result of the addition or subtraction operation of the two inputs. The algorithm then type casts the result to the output data type. Loss occurs during the type cast. This algorithm behaves similarly to the C language except when the signedness of the operands does not match. For example, when you add a signed long operand to an unsigned long operand, standard C language rules convert the signed long operand to an unsigned long operand. The result is a value that is not ideal.



## Interactive Specification with Code Replacement Tool

When you use the Code Replacement Tool to create a code replacement table entry for an addition or subtraction operation, the tool displays an **Algorithm** menu. Use that menu to specify the `Cast before operation` or `Cast after operation` algorithm for that entry.

## Programmatic Specification

Create a code replacement table file, as a MATLAB function, that describes the addition or subtraction code replacement table entry. In the call to `setTf1COperationEntryParameters`, set at least these parameters:

- `Key` to `RTW_OP_ADD` or `RTW_OP_MINUS`
- `ImplementationName` to the name of your replacement function
- `EntryInfoAlgorithm` to `RTW_CAST_BFORE_OP` (cast-before-operation) or `RTW_CAST_AFTER_OP` (cast-after-operation)

This example sets parameters for a code replacement operator entry for a cast-after-operation implementation of a `uint8` addition.

```
op_entry = RTW.Tf1COperationEntry;
setTf1COperationEntryParameters(op_entry, ...
    'Key', 'RTW_OP_ADD', ...
    'EntryInfoAlgorithm', 'RTW_CAST_AFTER_OP', ...
    'ImplementationName', 'u8_add_u8_u8');
```

For more information, see `setTf1COperationEntryParameters`.

## Algorithm Classification

During code generation, the code generator examines addition and subtraction operations, including adjacent type cast operations, to determine the type of algorithm to compute the expression result. Based on the data types in the expression and the type of the accumulator (type used to hold the result of the addition or subtraction operation), the code generator uses these rules.

- Floating-point types only

Input 1 Data Type	Input 2 Data Type	Accumulator Data Type	Output Data Type	Classification
double	double	double	double	CBO, CAO

Input 1 Data Type	Input 2 Data Type	Accumulator Data Type	Output Data Type	Classification
double	double	double	single	—
double	double	single	double	—
double	double	single	single	CBO
double	single	double	double	CBO, CAO
double	single	double	single	—
double	single	single	double	—
double	single	single	single	CBO
single	single	single	single	CBO, CAO
single	single	single	double	—
single	single	double	single	—
single	single	double	double	CBO, CAO

- Floating-point and fixed-point types on the immediate addition or subtraction operation

Algorithm	Conditions
CBO	One of the following is true: <ul style="list-style-type: none"> <li>• Operation type is <b>double</b>.</li> <li>• Operation type is <b>single</b> and input types are <b>single</b> or <b>fixed-point</b>.</li> </ul>
CAO	Operation type is a superset of input types—that is, output type can represent values of input types without loss of data.

- Fixed-point types only

Algorithm	Conditions
CBO	At least one of the following is true: <ul style="list-style-type: none"> <li>• Accumulator type equals output type (<math>T_{acc} == T_{out}</math>).</li> <li>• Output type is a superset of input types (<math>T_{acc} \geq \{T_{in1}, T_{in2}\}</math>) and accumulator type is a superset of output type (<math>T_{acc} \geq T_{out}</math>).</li> <li>• Operation does not incur range or precision loss.</li> </ul>

Algorithm	Conditions
CAO	Net bias is zero and the data types in the expression have equal slope adjustment factors. For more information on net bias, see “Addition” or “Subtraction” in “Fixed-Point Operator Code Replacement” on page 25-135 (for MATLAB code) or “Fixed-Point Operator Code Replacement” on page 24-198 (for Simulink models).

In many cases, the numerical result of a CBO operation is equal to that of a CAO operation. For example, if the input and output types are such that the operation produces the ideal result, as in the case of `int8 + int8 -> int16`. To maximize the probability of code replacement occurring in such cases, set the algorithm to cast-after-operation.

## Limitations

- The code generator does not replace operations with nonzero net bias.
- When classifying an operation as a CAO operation, the code generator includes the adjacent casts in the expression when the expression involves only fixed-point types. Otherwise, the code generator classifies and replaces only the immediate addition or subtraction operation. Casts that the code generator excludes from the classification appear in the generated code.
- To enable the code generator to include multiple cast operations, which follow an addition or subtraction of fixed-point data, in the classification of an expression, the rounding mode must be `simplest` or `floor`. Consider the expression `y=(cast A) (cast B) (u1+u2)`. If the rounding mode of `(cast A)`, `(cast B)`, and the addition operator (+) are set to `simplest` or `floor`, the code generator takes into account `(cast A)` and `(cast B)` when classifying the expression and performing the replacement only.

## Related Examples

- “Define Code Replacement Mappings” on page 25-31
- “Remap Operator Output to Function Input” on page 25-132
- “Customize Match and Replacement Process for Operators” on page 25-170
- “Develop a Code Replacement Library” on page 25-16
- “Quick Start Library Development” on page 25-17

## **More About**

- “What Is Code Replacement?” on page 47-2
- “What Is Code Replacement Customization?” on page 25-3
- “Code You Can Replace from MATLAB Code” on page 25-4
- “Code Replacement Match and Replacement Process” on page 25-14
- “Code Replacement Libraries” on page 47-14
- “Code Replacement Terminology” on page 47-16

## **External Websites**

- `rtwdemo_crl_cbo_cao`

## Small Matrix Operation to Processor Code Replacement

This example shows how to define code replacement mappings that replace nonscalar small matrix operations with processor-specific intrinsic functions. The example defines a table containing two matrix operator replacement entries for the + (addition) operator and the `double` data type. The example defines the function mapping programmatically. Alternatively, you can use the Code Replacement Tool to define the same mapping.

- 1 Create a table definition file that contains a function definition. For example:

```
function hTable = cr1_table_matrix_add_double
```

- 2 Within the function body, create the table by calling the function `RTW.Tf1Table`.

```
hTable = RTW.Tf1Table;
```

- 3 Create the entry for the first operator mapping with a call to the `RTW.Tf1COperationEntry` function.

```
% Create table entry for matrix_sum_2x2_double
op_entry = RTW.Tf1COperationEntry;
```

- 4 Set operator entry parameters with a call to the `setTf1COperationEntryParameters` function. The code generator ignores saturation and rounding modes for floating-point nonscalar addition and subtraction. For code replacement entries for nonscalar addition and subtraction operations that do not involve fixed-point data, in the call to `setTf1COperationEntryParameters`, specify `'RTW_SATURATE_UNSPECIFIED'` for the `SaturationMode` property and `{'RTW_ROUND_UNSPECIFIED'}` for `RoundingModes`.

```
setTf1COperationEntryParameters(op_entry, ...
    'Key', 'RTW_OP_ADD', ...
    'Priority', 30, ...
    'SaturationMode', 'RTW_WRAP_ON_OVERFLOW', ...
    'ImplementationName', 'matrix_sum_2x2_double', ...
    'ImplementationHeaderFile', 'MatrixMath.h', ...
    'ImplementationSourceFile', 'MatrixMath.c', ...
    'ImplementationHeaderPath', LibPath, ...
    'ImplementationSourcePath', LibPath, ...
    'AdditionalIncludePaths', {LibPath}, ...
    'GenCallback', 'RTW.copyFileToBuildDir', ...
    'SideEffects', true);
```

- 5 Create conceptual arguments `y1`, `u1`, and `u2`. There are multiple ways to set up the conceptual arguments. This example uses calls to the `createAndAddConceptualArg` function to create and add an argument with one function call. To specify a matrix argument in the function call, use the argument



class `RTW.Tf1ArgMatrix`. Specify the base type and the dimensions for which the argument is valid. The first table entry specifies [2 2] and the second table entry specifies [3 3].

```
% Specify operands and result
createAndAddConceptualArg(op_entry, 'RTW.Tf1ArgMatrix', ...
    'Name', 'y1', ...
    'IOType', 'RTW_IO_OUTPUT', ...
    'BaseType', 'double', ...
    'DimRange', [2 2]);
createAndAddConceptualArg(op_entry, 'RTW.Tf1ArgMatrix',...
    'Name', 'u1', ...
    'BaseType', 'double', ...
    'DimRange', [2 2]);
createAndAddConceptualArg(op_entry, 'RTW.Tf1ArgMatrix',...
    'Name', 'u2', ...
    'BaseType', 'double', ...
    'DimRange', [2 2]);
```

- 6 Create the implementation arguments. There are multiple ways to set up the implementation arguments. This example uses calls to the `getTf1ArgFromString` to create the arguments. The convenience methods `setReturn` and `addArgument` specify whether an argument is a return value or argument and adds the argument to the entry's array of implementation arguments.

```
arg = getTf1ArgFromString(hTable, 'y2', 'void');
arg.IOType = 'RTW_IO_OUTPUT';
op_entry.Implementation.setReturn(arg);

arg = getTf1ArgFromString(hTable, 'u1', ['double' '*']);
op_entry.Implementation.addArgument(arg);

arg = getTf1ArgFromString(hTable, 'u2', ['double' '*']);
op_entry.Implementation.addArgument(arg);

arg = getTf1ArgFromString(hTable, 'y1', ['double' '*']);
arg.IOType = 'RTW_IO_OUTPUT';
op_entry.Implementation.addArgument(arg);
```

- 7 Add the entry to a code replacement table with a call to the `addEntry` function.

```
addEntry(hTable, op_entry);
```

- 8 Create the entry for the second operator mapping.

```
% Create table entry for matrix_sum_3x3_double
op_entry = RTW.Tf1COperationEntry;
setTf1COperationEntryParameters(op_entry, ...
    'Key', 'RTW_OP_ADD', ...
    'Priority', 30, ...
    'SaturationMode', 'RTW_WRAP_ON_OVERFLOW', ...
    'ImplementationName', 'matrix_sum_3x3_double', ...
```

```

    'ImplementationHeaderFile', 'MatrixMath.h', ...
    'ImplementationSourceFile', 'MatrixMath.c', ...
    'ImplementationHeaderPath', LibPath, ...
    'ImplementationSourcePath', LibPath, ...
    'AdditionalIncludePaths', {LibPath}, ...
    'GenCallback', 'RTW.copyFileToBuildDir', ...
    'SideEffects', true);

% Specify operands and result
createAndAddConceptualArg(op_entry, 'RTW.Tf1ArgMatrix', ...
    'Name', 'y1', ...
    'IOType', 'RTW_IO_OUTPUT', ...
    'BaseType', 'double', ...
    'DimRange', [3 3]);
createAndAddConceptualArg(op_entry, 'RTW.Tf1ArgMatrix',...
    'Name', 'u1', ...
    'BaseType', 'double', ...
    'DimRange', [3 3]);
createAndAddConceptualArg(op_entry, 'RTW.Tf1ArgMatrix',...
    'Name', 'u2', ...
    'BaseType', 'double', ...
    'DimRange', [3 3]);

% Specify replacement function signature
arg = getTf1ArgFromString(hTable, 'y2', 'void');
arg.IOType = 'RTW_IO_OUTPUT';
op_entry.Implementation.setReturn(arg);
arg = getTf1ArgFromString(hTable, 'u1', ['double' '*']);
op_entry.Implementation.addArgument(arg);
arg = getTf1ArgFromString(hTable, 'u2', ['double' '*']);
op_entry.Implementation.addArgument(arg);
arg = getTf1ArgFromString(hTable, 'y1', ['double' '*']);
arg.IOType = 'RTW_IO_OUTPUT';
op_entry.Implementation.addArgument(arg);

addEntry(hTable, op_entry);

```

- 9 Save the table definition file. Use the name of the table definition function to name the file.

## Related Examples

- “Define Code Replacement Mappings” on page 25-31

- “Matrix Multiplication Operation to MathWorks BLAS Code Replacement” on page 25-118
- “Matrix Multiplication Operation to ANSI/ISO C BLAS Code Replacement” on page 25-125
- “Remap Operator Output to Function Input” on page 25-132
- “Customize Match and Replacement Process for Operators” on page 25-170
- “Develop a Code Replacement Library” on page 25-16
- “Quick Start Library Development” on page 25-17
- Replacing Math Functions and Operators

## **More About**

- “What Is Code Replacement?” on page 47-2
- “What Is Code Replacement Customization?” on page 25-3
- “Code You Can Replace from MATLAB Code” on page 25-4
- “Code Replacement Match and Replacement Process” on page 25-14
- “Code Replacement Libraries” on page 47-14
- “Code Replacement Terminology” on page 47-16

## Matrix Multiplication Operation to MathWorks BLAS Code Replacement

This example shows how to define code replacement mappings that replace nonscalar multiplication operations with Basic Linear Algebra Subroutine (BLAS) multiplication functions `xgemm` and `xgemv`. The example defines code replacement entries that map floating-point matrix/matrix and matrix/vector multiplication operations to MathWorks BLAS library multiplication functions `dgemm` and `dgemv`. The example defines the function mappings programmatically. Alternatively, you can use the Code Replacement Tool to define the same mappings.

BLAS libraries support matrix/matrix multiplication in the form of

$C = a(\text{op}(A) * \text{op}(B)) + bC$ . `op(X)` means X, transposition of X, or Hermitian transposition of X. However, code replacement libraries support only the limited case of  $C = \text{op}(A) * \text{op}(B)$  ( $a = 1.0$ ,  $b = 0.0$ ). Correspondingly, although BLAS libraries support matrix/vector multiplication in the form of  $y = a(\text{op}(A) * x) + by$ , code replacement libraries support only the limited case of  $y = \text{op}(A) * x$  ( $a = 1.0$ ,  $b = 0.0$ ).

- 1 Create a table definition file that contains a function definition. For example:

```
function hTable = crl_table_tmwblas_mmult_double
```

- 2 Within the function body, create the table by calling the function `RTW.Tf1Table`.

```
hTable = RTW.Tf1Table;
```

- 3 Define the path for the BLAS function library. If your replacement functions are on the MATLAB search path or are in your working folder, you can skip this step.

```
% Define library path for Windows or UNIX
arch = computer('arch');
if ~ispc
    LibPath = fullfile('$MATLAB_ROOT', 'bin', arch);
else
    % Use Stateflow to get the compiler info
    compilerInfo = sf('Private','compilerman','get_compiler_info');
    compilerName = compilerInfo.compilerName;
    if strcmp(compilerName, 'msvc90') || ...
        strcmp(compilerName, 'msvc80') || ...
        strcmp(compilerName, 'msvc71') || ...
        strcmp(compilerName, 'msvc60'), ...
        compilerName = 'microsoft';
    end
    LibPath = fullfile('$MATLAB_ROOT', 'extern', 'lib', arch, compilerName);
end
```

- 4 Create an entry for the first mapping with a call to the `RTW.Tf1BlasEntryGenerator` function.

```
% Create table entry for dgemm32
op_entry = RTW.Tf1BlasEntryGenerator;
```

- 5 Set operator entry parameters with a call to the `setTf1CFunctionEntryParameters` function. The function call sets matrix multiplication operator entry properties. The code generator ignores saturation and rounding modes for floating-point nonscalar addition and subtraction. For code replacement entries for nonscalar addition and subtraction operations that do not involve fixed-point data, in the call to `setTf1CFunctionEntryParameters`, specify `'RTW_SATURATE_UNSPECIFIED'` for the `SaturationMode` property and `{'RTW_ROUND_UNSPECIFIED'}` for `RoundingModes`.

```
if ispc
    libExt = 'lib';
elseif ismac
    libExt = 'dylib';
else
    libExt = 'so';
end
setTf1COperationEntryParameters(op_entry, ...
    'Key', 'RTW_OP_MUL', ...
    'Priority', 100, ...
    'ImplementationName', 'dgemm32', ...
    'ImplementationHeaderFile', 'blascompat32_cr1.h', ...
    'ImplementationHeaderPath', fullfile('${MATLAB_ROOT}','extern','include'), ...
    'AdditionalLinkObjs', {'libmwblascompat32.' libExt}, ...
    'AdditionalLinkObjsPaths', {LibPath}, ...
    'SideEffects', true);
```

- 6 Create conceptual arguments `y1`, `u1`, and `u2`. There are multiple ways to set up the conceptual arguments. This example uses calls to the `createAndAddConceptualArg` function to create and add an argument with one function call. To specify a matrix argument in the function call, use the argument class `RTW.Tf1ArgMatrix` and specify the base type and the dimensions for which the argument is valid. This type of table entry supports a range of dimensions specified in the format `[Dim1Min Dim2Min ... DimNMin; Dim1Max Dim2Max ... DimNMax]`. For example, `[2 2; inf inf]` means a two-dimensional matrix of size 2x2 or larger. The conceptual output argument for the `dgemm32` entry for matrix/matrix multiplication replacement specifies dimensions `[2 2; inf inf]`, while the conceptual output argument for the `dgemv32` entry for matrix/vector multiplication replacement specifies dimensions `[2 1; inf 1]`.

```
% Specify operands and result
createAndAddConceptualArg(op_entry, 'RTW.Tf1ArgMatrix', ...
    'Name', 'y1', ...
```

```

        'IOType',      'RTW_IO_OUTPUT', ...
        'BaseType',   'double', ...
        'DimRange',   [2 2; inf inf]);
createAndAddConceptualArg(op_entry, 'RTW.Tf1ArgMatrix', ...
        'Name',       'u1', ...
        'BaseType',   'double', ...
        'DimRange',   [2 2; inf inf]);
createAndAddConceptualArg(op_entry, 'RTW.Tf1ArgMatrix', ...
        'Name',       'u2', ...
        'BaseType',   'double', ...
        'DimRange',   [1 1; inf inf]);

```

- 7 Create the implementation arguments. There are multiple ways to set up the implementation arguments. This example uses calls to the `getTf1ArgFromString` and `RTW.Tf1ArgCharConstant` functions to create the arguments. The example code configures special implementation arguments that are required for `dgemm` and `dgemv` function replacements. The convenience methods `setReturn` and `addArgument` specify whether an argument is a return value or argument and adds the argument to the entry's array of implementation arguments.

```

% Using RTW.Tf1BlasEntryGenerator for xgemm requires the following
% implementation signature:
%
% void f(char* TRANSA, char* TRANSB, int* M, int* N, int* K,
%       type* ALPHA, type* u1, int* LDA, type* u2, int* LDB,
%       type* BETA, type* y, int* LDC)
%
% When a match occurs, the code generator computes the
% values for M, N, K, LDA, LDB, and LDC and inserts them into the
% generated code. TRANSA and TRANSB are set to 'N'.

% Specify replacement function signature

arg = getTf1ArgFromString(hTable, 'y2', 'void');
arg.IOType = 'RTW_IO_OUTPUT';
op_entry.Implementation.setReturn(arg);

arg = RTW.Tf1ArgCharConstant('TRANSA');
% Possible values for PassByType property are
% RTW_PASSBY_AUTO, RTW_PASSBY_POINTER,
% RTW_PASSBY_VOID_POINTER, RTW_PASSBY_BASE_POINTER
arg.PassByType = 'RTW_PASSBY_POINTER';
op_entry.Implementation.addArgument(arg);

arg = RTW.Tf1ArgCharConstant('TRANSB');
arg.PassByType = 'RTW_PASSBY_POINTER';
op_entry.Implementation.addArgument(arg);

arg = getTf1ArgFromString(hTable, 'M', 'integer', 0);
arg.PassByType = 'RTW_PASSBY_POINTER';
arg.Type.ReadOnly = true;
op_entry.Implementation.addArgument(arg);

```

```

arg = getTf1ArgFromString(hTable, 'N', 'integer', 0);
arg.PassByType = 'RTW_PASSBY_POINTER';
arg.Type.ReadOnly = true;
op_entry.Implementation.addArgument(arg);

arg = getTf1ArgFromString(hTable, 'K', 'integer', 0);
arg.PassByType = 'RTW_PASSBY_POINTER';
arg.Type.ReadOnly = true;
op_entry.Implementation.addArgument(arg);

arg = getTf1ArgFromString(hTable, 'ALPHA', 'double', 0);
arg.PassByType = 'RTW_PASSBY_POINTER';
arg.Type.ReadOnly = true;
op_entry.Implementation.addArgument(arg);

arg = getTf1ArgFromString(hTable, 'u1', ['double' '*']);
arg.PassByType = 'RTW_PASSBY_POINTER';
arg.Type.ReadOnly = true;
op_entry.Implementation.addArgument(arg);

arg = getTf1ArgFromString(hTable, 'LDA', 'integer', 0);
arg.PassByType = 'RTW_PASSBY_POINTER';
arg.Type.ReadOnly = true;
op_entry.Implementation.addArgument(arg);

arg = getTf1ArgFromString(hTable, 'u2', ['double' '*']);
arg.PassByType = 'RTW_PASSBY_POINTER';
arg.Type.ReadOnly = true;
op_entry.Implementation.addArgument(arg);

arg = getTf1ArgFromString(hTable, 'LDB', 'integer', 0);
arg.PassByType = 'RTW_PASSBY_POINTER';
arg.Type.ReadOnly = true;
op_entry.Implementation.addArgument(arg);

arg = getTf1ArgFromString(hTable, 'BETA', 'double', 0);
arg.PassByType = 'RTW_PASSBY_POINTER';
arg.Type.ReadOnly = true;
op_entry.Implementation.addArgument(arg);

arg = getTf1ArgFromString(hTable, 'y1', ['double' '*']);
arg.IOType = 'RTW_IO_OUTPUT';
arg.PassByType = 'RTW_PASSBY_POINTER';
op_entry.Implementation.addArgument(arg);

arg = getTf1ArgFromString(hTable, 'LDC', 'integer', 0);
arg.PassByType = 'RTW_PASSBY_POINTER';
arg.Type.ReadOnly = true;
op_entry.Implementation.addArgument(arg);

```

- 8 Add the entry to a code replacement table with a call to the `addEntry` function.

```
addEntry(hTable, op_entry);
```

- 9 Create the entry for the second mapping.

```

% Create table entry for dgemv32
op_entry = RTW.Tf1BlasEntryGenerator;
if ispc
    libExt = 'lib';
elseif ismac
    libExt = 'dylib';
else
    libExt = 'so';
end
setTf1COperationEntryParameters(op_entry, ...
    'Key', 'RTW_OP_MUL', ...
    'Priority', 100, ...
    'ImplementationName', 'dgemv32', ...
    'ImplementationHeaderFile', 'blascompat32_crl.h', ...
    'ImplementationHeaderPath', fullfile('${MATLAB_ROOT}','extern','include'), ...
    'AdditionalLinkObjs', {'libmwbblascompat32.' libExt}, ...
    'AdditionalLinkObjsPaths', {LibPath},...
    'SideEffects', true);

% Specify operands and result
createAndAddConceptualArg(op_entry, 'RTW.Tf1ArgMatrix', ...
    'Name', 'y1', ...
    'IOType', 'RTW_IO_OUTPUT', ...
    'BaseType', 'double', ...
    'DimRange', [2 1; inf 1]);
createAndAddConceptualArg(op_entry, 'RTW.Tf1ArgMatrix', ...
    'Name', 'u1', ...
    'BaseType', 'double', ...
    'DimRange', [2 2; inf inf]);
createAndAddConceptualArg(op_entry, 'RTW.Tf1ArgMatrix', ...
    'Name', 'u2', ...
    'BaseType', 'double', ...
    'DimRange', [1 1; inf 1]);

% Using RTW.Tf1BlasEntryGenerator for xgemv requires the following
% implementation signature:
%
% void f(char* TRANS, int* M, int* N,
%         type* ALPHA, type* u1, int* LDA, type* u2, int* INCX,
%         type* BETA, type* y, int* INCY)
%
% Upon a match, the CRL entry will compute the
% values for M, N, LDA, INCX, and INCY, and insert them into the
% generated code. TRANS will be set to 'N'.

% Specify replacement function signature

arg = getTf1ArgFromString(hTable, 'y2', 'void');
arg.IOType = 'RTW_IO_OUTPUT';
op_entry.Implementation.setReturn(arg);

arg = RTW.Tf1ArgCharConstant('TRANS');
arg.PassByType = 'RTW_PASSBY_POINTER';
op_entry.Implementation.addArgument(arg);

```



```

arg = getTf1ArgFromString(hTable, 'M', 'integer', 0);
arg.PassByType = 'RTW_PASSBY_POINTER';
arg.Type.ReadOnly = true;
op_entry.Implementation.addArgument(arg);

arg = getTf1ArgFromString(hTable, 'N', 'integer', 0);
arg.PassByType = 'RTW_PASSBY_POINTER';
arg.Type.ReadOnly = true;
op_entry.Implementation.addArgument(arg);

arg = getTf1ArgFromString(hTable, 'ALPHA', 'double', 0);
arg.PassByType = 'RTW_PASSBY_POINTER';
arg.Type.ReadOnly = true;
op_entry.Implementation.addArgument(arg);

arg = getTf1ArgFromString(hTable, 'u1', ['double' '*']);
arg.PassByType = 'RTW_PASSBY_POINTER';
arg.Type.ReadOnly = true;
op_entry.Implementation.addArgument(arg);

arg = getTf1ArgFromString(hTable, 'LDA', 'integer', 0);
arg.PassByType = 'RTW_PASSBY_POINTER';
arg.Type.ReadOnly = true;
op_entry.Implementation.addArgument(arg);

arg = getTf1ArgFromString(hTable, 'u2', ['double' '*']);
arg.PassByType = 'RTW_PASSBY_POINTER';
arg.Type.ReadOnly = true;
op_entry.Implementation.addArgument(arg);

arg = getTf1ArgFromString(hTable, 'INCX', 'integer', 0);
arg.PassByType = 'RTW_PASSBY_POINTER';
arg.Type.ReadOnly = true;
op_entry.Implementation.addArgument(arg);

arg = getTf1ArgFromString(hTable, 'BETA', 'double', 0);
arg.PassByType = 'RTW_PASSBY_POINTER';
arg.Type.ReadOnly = true;
op_entry.Implementation.addArgument(arg);

arg = getTf1ArgFromString(hTable, 'y1', ['double' '*']);
arg.IOType = 'RTW_IO_OUTPUT';
arg.PassByType = 'RTW_PASSBY_POINTER';
op_entry.Implementation.addArgument(arg);

arg = getTf1ArgFromString(hTable, 'INCY', 'integer', 0);
arg.PassByType = 'RTW_PASSBY_POINTER';
arg.Type.ReadOnly = true;
op_entry.Implementation.addArgument(arg);

addEntry(hTable, op_entry);

```

- 10** Save the table definition file. Use the name of the table definition function to name the file.

## **Related Examples**

- “Define Code Replacement Mappings” on page 25-31
- “Small Matrix Operation to Processor Code Replacement” on page 25-114
- “Matrix Multiplication Operation to ANSI/ISO C BLAS Code Replacement” on page 25-125
- “Remap Operator Output to Function Input” on page 25-132
- “Customize Match and Replacement Process for Operators” on page 25-170
- “Develop a Code Replacement Library” on page 25-16
- “Quick Start Library Development” on page 25-17
- Replacing Math Functions and Operators

## **More About**

- “What Is Code Replacement?” on page 47-2
- “What Is Code Replacement Customization?” on page 25-3
- “Code You Can Replace from MATLAB Code” on page 25-4
- “Code Replacement Match and Replacement Process” on page 25-14
- “Code Replacement Libraries” on page 47-14
- “Code Replacement Terminology” on page 47-16

## Matrix Multiplication Operation to ANSI/ISO C BLAS Code Replacement

This example shows how to define code replacement mappings that replace nonscalar multiplication operations with ANSI/ISO C BLAS multiplication functions `xgemm` and `xgemv`. The example defines code replacement entries that map floating-point matrix/matrix and matrix/vector multiplication operations to ANSI/ISO C BLAS library multiplication functions `dgemm` and `dgemv`. The example defines the function mappings programmatically. Alternatively, you can use the Code Replacement Tool to define the same mappings.

BLAS libraries support matrix/matrix multiplication in the form of  $C = a(\text{op}(A) * \text{op}(B)) + bC$ . `op(X)` means X, transposition of X, or Hermitian transposition of X. However, code replacement libraries support only the limited case of  $C = \text{op}(A) * \text{op}(B)$  ( $a = 1.0, b = 0.0$ ). Correspondingly, although BLAS libraries support matrix/vector multiplication in the form of  $y = a(\text{op}(A) * x) + by$ , code replacement libraries support only the limited case of  $y = \text{op}(A) * x$  ( $a = 1.0, b = 0.0$ ).

- 1 Create a table definition file that contains a function definition. For example:

```
function hTable = crl_table_cblas_mmult_double
```

- 2 Within the function body, create the table by calling the function `RTW.Tf1Table`.

```
hTable = RTW.Tf1Table;
```

- 3 Define the path for the CBLAS function library. For example:

```
LibPath = fullfile(matlabroot, 'toolbox', 'rtw', 'rtwdemos', 'crl_demo');
```

- 4 Create an entry for the first mapping with a call to the `RTW.Tf1CblasEntryGenerator` function.

```
% Create table entry for cblas_dgemm
op_entry = RTW.Tf1CblasEntryGenerator;
```

- 5 Set operator entry parameters with a call to the `setTf1COperationEntryParameters` function. The function call sets matrix multiplication operator entry properties. The code generator ignores saturation and rounding modes for floating-point nonscalar addition and subtraction.

```
setTf1COperationEntryParameters(op_entry, ...
    'Key', 'RTW_OP_MUL', ...
```

```

'Priority',          100, ...
'ImplementationName', 'cblas_dgemm', ...
'ImplementationHeaderFile', 'cblas.h', ...
'ImplementationHeaderPath', LibPath, ...
'AdditionalIncludePaths', {LibPath}, ...
'GenCallback',      'RTW.copyFileToBuildDir', ...
'SideEffects',      true);

```

- 6 Create conceptual arguments `y1`, `u1`, and `u2`. There are multiple ways to set up the conceptual arguments. This example uses calls to the `createAndAddConceptualArg` function to create and add an argument with one function call. To specify a matrix argument in the function call, use the argument class `RTW.Tf1ArgMatrix` and specify the base type and the dimensions for which the argument is valid. This type of table entry supports a range of dimensions specified in the format `[Dim1Min Dim2Min ... DimNMin; Dim1Max Dim2Max ... DimNMax]`. For example, `[2 2; inf inf]` means a two-dimensional matrix of size 2x2 or larger. The conceptual output argument for the `dgemm32` entry for matrix/matrix multiplication replacement specifies dimensions `[2 2; inf inf]`. The conceptual output argument for the `dgemv32` entry for matrix/vector multiplication replacement specifies dimensions `[2 1; inf 1]`.

```

% Specify operands and result
createAndAddConceptualArg(op_entry, 'RTW.Tf1ArgMatrix', ...
    'Name', 'y1', ...
    'IOType', 'RTW_IO_OUTPUT', ...
    'BaseType', 'double', ...
    'DimRange', [2 2; inf inf]);
createAndAddConceptualArg(op_entry, 'RTW.Tf1ArgMatrix', ...
    'Name', 'u1', ...
    'BaseType', 'double', ...
    'DimRange', [2 2; inf inf]);
createAndAddConceptualArg(op_entry, 'RTW.Tf1ArgMatrix', ...
    'Name', 'u2', ...
    'BaseType', 'double', ...
    'DimRange', [1 1; inf inf]);

```

- 7 Create the implementation arguments. There are multiple ways to set up the implementation arguments. This example uses calls to the `getTf1ArgFromString` function to create the arguments. The example code configures special implementation arguments that are required for `dgemm` and `dgemv` function replacements. The convenience methods `setReturn` and `addArgument` specify whether an argument is a return value or argument and adds the argument to the entry's array of implementation arguments.

```

% Using RTW.Tf1CBlasEntryGenerator for xgemm requires the following
% implementation signature:
%
% void f(enum ORDER, enum TRANSA, enum TRANSB, int M, int N, int K,
%        type ALPHA, type* u1, int LDA, type* u2, int LDB,

```

```
%      type BETA, type* y, int LDC)
%
% Since CRLs do not have the ability to specify enums, you must
% use integer. (This will cause problems with C++ code generation,
% so for C++, use a wrapper function to cast each int to the
% corresponding enumeration type.)
%
% When a match occurs, the code generator computes the
% values for M, N, K, LDA, LDB, and LDC and insert them into the
% generated code.

% Specify replacement function signature

arg = getTf1ArgFromString(hTable, 'y2', 'void');
arg.IOType = 'RTW_IO_OUTPUT';
op_entry.Implementation.setReturn(arg);

arg = getTf1ArgFromString(hTable, 'ORDER', 'integer', 102);
%arg.Type.ReadOnly=true;
op_entry.Implementation.addArgument(arg);

arg = getTf1ArgFromString(hTable, 'TRANSA', 'integer', 111);
%arg.Type.ReadOnly=true;
op_entry.Implementation.addArgument(arg);

arg = getTf1ArgFromString(hTable, 'TRANSB', 'integer', 111);
%arg.Type.ReadOnly=true;
op_entry.Implementation.addArgument(arg);

arg = getTf1ArgFromString(hTable, 'M', 'integer', 0);
op_entry.Implementation.addArgument(arg);

arg = getTf1ArgFromString(hTable, 'N', 'integer', 0);
op_entry.Implementation.addArgument(arg);

arg = getTf1ArgFromString(hTable, 'K', 'integer', 0);
op_entry.Implementation.addArgument(arg);

arg = getTf1ArgFromString(hTable, 'ALPHA', 'double', 1);
op_entry.Implementation.addArgument(arg);

arg = getTf1ArgFromString(hTable, 'u1', ['double' '*']);
op_entry.Implementation.addArgument(arg);

arg = getTf1ArgFromString(hTable, 'LDA', 'integer', 0);
op_entry.Implementation.addArgument(arg);

arg = getTf1ArgFromString(hTable, 'u2', ['double' '*']);
op_entry.Implementation.addArgument(arg);

arg = getTf1ArgFromString(hTable, 'LDB', 'integer', 0);
op_entry.Implementation.addArgument(arg);

arg = getTf1ArgFromString(hTable, 'BETA', 'double', 0);
op_entry.Implementation.addArgument(arg);
```

```
arg = getTf1ArgFromString(hTable, 'y1', ['double' '*']);
arg.IOType = 'RTW_IO_OUTPUT';
op_entry.Implementation.addArgument(arg);
```

```
arg = getTf1ArgFromString(hTable, 'LDC', 'integer', 0);
op_entry.Implementation.addArgument(arg);
```

- 8 Add the entry to a code replacement table with a call to the `addEntry` function.

```
addEntry(hTable, op_entry);
```

- 9 Create the entry for the second mapping.

```
% Create table entry for cblas_dgemv
op_entry = RTW.Tf1CBlasEntryGenerator;
setTf1COperationEntryParameters(op_entry, ...
    'Key', 'RTW_OP_MUL', ...
    'Priority', 100, ...
    'ImplementationName', 'cblas_dgemv', ...
    'ImplementationHeaderFile', 'cblas.h', ...
    'ImplementationHeaderPath', LibPath, ...
    'AdditionalIncludePaths', {LibPath}, ...
    'GenCallback', 'RTW.copyFileToBuildDir', ...
    'SideEffects', true);

% Specify operands and result
createAndAddConceptualArg(op_entry, 'RTW.Tf1ArgMatrix', ...
    'Name', 'y1', ...
    'IOType', 'RTW_IO_OUTPUT', ...
    'BaseType', 'double', ...
    'DimRange', [2 1; inf 1]);
createAndAddConceptualArg(op_entry, 'RTW.Tf1ArgMatrix', ...
    'Name', 'u1', ...
    'BaseType', 'double', ...
    'DimRange', [2 2; inf inf]);
createAndAddConceptualArg(op_entry, 'RTW.Tf1ArgMatrix', ...
    'Name', 'u2', ...
    'BaseType', 'double', ...
    'DimRange', [1 1; inf 1]);

% Using RTW.Tf1CBlasEntryGenerator for xgemv requires the following
% implementation signature:
%
% void f(enum ORDER, enum TRANSA, int M, int N,
%       type ALPHA, type* u1, int LDA, type* u2, int INCX,
%       type BETA, type* y, int INCY)
%
% Since CRLs do not have the ability to specify enums, you must
% use integer. (This will cause problems with C++ code generation,
% so for C++, use a wrapper function to cast each int to the
% corresponding enumeration type.)
%
% Upon a match, the CRL entry will compute the
% values for M, N, LDA, INCX, and INCY and insert them into the
% generated code.
```

```

% Specify replacement function signature

arg = getTf1ArgFromString(hTable, 'y2', 'void');
arg.IOType = 'RTW_IO_OUTPUT';
op_entry.Implementation.setReturn(arg);

arg = getTf1ArgFromString(hTable, 'ORDER', 'integer', 102);
%arg.Type.ReadOnly=true;
op_entry.Implementation.addArgument(arg);

arg = getTf1ArgFromString(hTable, 'TRANSA', 'integer', 111);
%arg.Type.ReadOnly=true;
op_entry.Implementation.addArgument(arg);

arg = getTf1ArgFromString(hTable, 'M', 'integer', 0);
op_entry.Implementation.addArgument(arg);

arg = getTf1ArgFromString(hTable, 'N', 'integer', 0);
op_entry.Implementation.addArgument(arg);

arg = getTf1ArgFromString(hTable, 'ALPHA', 'double', 1);
op_entry.Implementation.addArgument(arg);

arg = getTf1ArgFromString(hTable, 'u1', ['double' '*']);
op_entry.Implementation.addArgument(arg);

arg = getTf1ArgFromString(hTable, 'LDA', 'integer', 0);
op_entry.Implementation.addArgument(arg);

arg = getTf1ArgFromString(hTable, 'u2', ['double' '*']);
op_entry.Implementation.addArgument(arg);

arg = getTf1ArgFromString(hTable, 'INCX', 'integer', 0);
op_entry.Implementation.addArgument(arg);

arg = getTf1ArgFromString(hTable, 'BETA', 'double', 0);
op_entry.Implementation.addArgument(arg);

arg = getTf1ArgFromString(hTable, 'y1', ['double' '*']);
arg.IOType = 'RTW_IO_OUTPUT';
op_entry.Implementation.addArgument(arg);

arg = getTf1ArgFromString(hTable, 'INCY', 'integer', 0);
op_entry.Implementation.addArgument(arg);

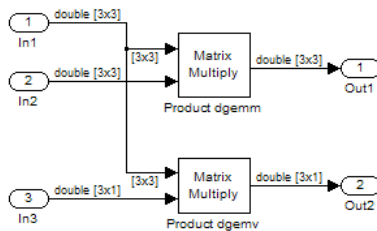
addEntry(hTable, op_entry);

```

- 10** Save the table definition file. Use the name of the table definition function to name the file.

To test this example, create a model that uses two **Product** blocks. For example:

- 1** Create a model that includes two **Product** blocks, such as the following:



- 2 Configure the model with the following settings:
  - On the **Solver** pane, select a fixed-step, discrete solver with a fixed-step size such as 0.1.
  - On the **Code Generation** pane, select an ERT-based system target file.
  - On the **Code Generation > Interface** pane, select the code replacement library that contains your addition operation entry.
- 3 For each **Product** block, set the block parameter **Multiplication** to the value `Matrix(*)`.
- 4 In the Model Explorer, configure the **Signal Attributes** for the In1, In2, and In3 source blocks. For In1 and In2, set **Port dimensions** to [3 3] and set the **Data type** to double. For In3, set **Port dimensions** to [3 1] and set the **Data type** to double.
- 5 Generate code and a code generation report.
- 6 Review the code replacements.

## Related Examples

- “Define Code Replacement Mappings” on page 25-31
- “Small Matrix Operation to Processor Code Replacement” on page 25-114
- “Matrix Multiplication Operation to MathWorks BLAS Code Replacement” on page 25-118
- “Remap Operator Output to Function Input” on page 25-132
- “Customize Match and Replacement Process for Operators” on page 25-170
- “Develop a Code Replacement Library” on page 25-16
- “Quick Start Library Development” on page 25-17
- Replacing Math Functions and Operators



## **More About**

- “What Is Code Replacement?” on page 47-2
- “What Is Code Replacement Customization?” on page 25-3
- “Code You Can Replace from MATLAB Code” on page 25-4
- “Code Replacement Match and Replacement Process” on page 25-14
- “Code Replacement Libraries” on page 47-14
- “Code Replacement Terminology” on page 47-16

## Remap Operator Output to Function Input

If your generated code must meet a specific coding pattern or you want more flexibility, for example, to further improve performance, you can remap operator outputs to input positions in an implementation function argument list.

---

**Note:** Remapping outputs to implementation function inputs is supported only for operator replacement.

---

For example, for a sum operation, the code generator produces code similar to:

```
add8_Y.Out1 = u8_add_u8_u8(add8_U.In1, add8_U.In2);
```

If you remap the output to the first input, the code generator produces code similar to:

```
u8_add_u8_u8(&add8_Y.Out1;, add8_U.In1, add8_U.In2);
```

The following table definition file for a sum operation remaps operator output `y1` as the first function input argument.

- 1 Create a table definition file that contains a function definition. For example:
 

```
function hTable = crl_table_add_uint8
```
- 2 Within the function body, create the table by calling the function `RTW.Tf1Table`.
 

```
hTable = RTW.Tf1Table;
```
- 3 Create an entry for the operator mapping with a call to the `RTW.Tf1COperationEntry` function.
 

```
% Create operation entry
op_entry = RTW.Tf1COperationEntry;
```
- 4 Set operator entry parameters with a call to the `setTf1COperationEntryParameters` function. In the function call, set the property `SideEffects` to `true`.
 

```
setTf1COperationEntryParameters(op_entry, ...
    'Key', 'RTW_OP_ADD', ...
    'Priority', 90, ...
    'ImplementationName', 'u8_add_u8_u8', ...
    'ImplementationHeaderFile', 'u8_add_u8_u8.h', ...
    'ImplementationSourceFile', 'u8_add_u8_u8.c', ...
    'SideEffects', true );
```

- 5 Create conceptual arguments `y1`, `u1`, and `u2`. There are multiple ways to set up the conceptual arguments. This example uses calls to the `getTf1ArgFromString` and `addConceptualArg` functions to create and add the arguments.

```
arg = getTf1ArgFromString(hTable, 'y1', 'uint8');
arg.IOType = 'RTW_IO_OUTPUT';
addConceptualArg(op_entry, arg);

arg = getTf1ArgFromString(hTable, 'u1', 'uint8');
addConceptualArg(op_entry, arg );

arg = getTf1ArgFromString(hTable, 'u2', 'uint8');
addConceptualArg(op_entry, arg );
```

- 6 Create the implementation arguments. There are multiple ways to set up the implementation arguments. This example uses calls to the `getTf1ArgFromString` function to create the arguments. When defining the implementation function return argument, create a new `void` output argument, for example, `y2`. When defining the implementation function argument for the conceptual output argument (`y1`), set the operator output argument as an additional input argument. Mark its `IOType` as output. Make its type a pointer type. The convenience methods `setReturn` and `addArgument` specify whether an argument is a return value or argument and adds the argument to the entry's array of implementation arguments.

```
% Create new void output y2
arg = getTf1ArgFromString(hTable, 'y2', 'void');
arg.IOType = 'RTW_IO_OUTPUT';
op_entry.Implementation.setReturn(arg);

% Set y1 as first input arg, mark IOType as output, and use pointer type
arg=getTf1ArgFromString(hTable, 'y1', 'uint8*');
arg.IOType = 'RTW_IO_OUTPUT';
op_entry.Implementation.addArgument(arg);

arg=getTf1ArgFromString(hTable, 'u1', 'uint8');
op_entry.Implementation.addArgument(arg);

arg=getTf1ArgFromString(hTable, 'u2', 'uint8');
op_entry.Implementation.addArgument(arg);
```

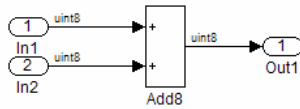
- 7 Add the entry to a code replacement table with a call to the `addEntry` function.

```
addEntry(hTable, op_entry);
```

- 8 Save the table definition file. Use the name of the table definition function to name the file.

To test this example, create a model that uses an `Add` block. For example:

- 1 Create a model that includes an `Add` block, such as the following:



- 2 Configure the model with the following settings:
  - On the **Solver** pane, select a fixed-step solver.
  - On the **Code Generation** pane, select an ERT-based system target file.
  - On the **Code Generation > Interface** pane, select the code replacement library that contains your addition operation entry.
  - On the **All Parameters** tab, set the **Optimize global data access** parameter to `Use global to hold temporary results`. This reduces data copies in the generated code.
- 3 Generate code and a code generation report.
- 4 Review the code replacements.

## Related Examples

- “Define Code Replacement Mappings” on page 25-31
- “Develop a Code Replacement Library” on page 25-16
- “Quick Start Library Development” on page 25-17
- Replacing Math Functions and Operators

## More About

- “What Is Code Replacement?” on page 47-2
- “What Is Code Replacement Customization?” on page 25-3
- “Code You Can Replace from MATLAB Code” on page 25-4
- “Code Replacement Libraries” on page 47-14
- “Code Replacement Terminology” on page 47-16

## Fixed-Point Operator Code Replacement

If you have a Fixed-Point Designer license, you can define fixed-point operator code replacement entries to match:

- A binary-point-only scaling combination on the operator inputs and output.
- A slope bias scaling combination on the operator inputs and output.
- Relative scaling or net slope between multiplication or division operator inputs and output. Use one of these methods to map a range of slope and bias values to a replacement function for multiplication or division.
- Equal slope and zero net bias across addition or subtraction operator inputs and output. Use this method to disregard specific slope and bias values and map relative slope and bias values to a replacement function for addition or subtraction.

### In this section...

“Common Ways to Match Fixed-Point Operator Entries” on page 25-135

“Fixed-Point Numbers and Arithmetic” on page 25-139

“Addition” on page 25-139

“Subtraction” on page 25-140

“Multiplication” on page 25-140

“Division” on page 25-141

“Data Type Conversion (Cast)” on page 25-142

“Shift” on page 25-142

## Common Ways to Match Fixed-Point Operator Entries

The following table maps common ways to match fixed-point operator code replacement entries with the associated fixed-point parameters that you specify in a code replacement table definition file.

Match	Create entry	Minimally specify parameters
A specific binary-point-only scaling combination on the operator inputs and output.	RTW.Tf1COperationEntry	createAndAddConceptualArg function: <ul style="list-style-type: none"> <li>• CheckSlope: Specify the value true.</li> </ul>

Match	Create entry	Minimally specify parameters
		<ul style="list-style-type: none"> <li>• <b>CheckBias</b>: Specify the value <code>true</code>.</li> <li>• <b>DataTypeMode</b> (or <b>DataType/Scaling</b> equivalent): Specify fixed-point binary-point-only scaling.</li> <li>• <b>FractionLength</b>: Specify a fraction length (for example, 3).</li> </ul>
<p>A specific slope bias scaling combination on the operator inputs and output.</p>	<p>RTW.Tf1COperationEntry</p>	<p>createAndAddConceptualArg function:</p> <ul style="list-style-type: none"> <li>• <b>CheckSlope</b>: Specify the value <code>true</code>.</li> <li>• <b>CheckBias</b>: Specify the value <code>true</code>.</li> <li>• <b>DataTypeMode</b> (or <b>DataType/Scaling</b> equivalent): Specify fixed-point [slope bias] scaling.</li> <li>• <b>Slope</b> (or <b>SlopeAdjustmentFactor/FixedExponent</b> equivalent): Specify a slope value (for example, 15).</li> <li>• <b>Bias</b>: Specify a bias value (for example, 2).</li> </ul>

Match	Create entry	Minimally specify parameters
<p>Net slope between operator inputs and output (multiplication and division).</p>	<p>RTW.Tf1COperationEntry-Generator_NetSlope</p>	<p>setTf1COperationEntryParameters function:</p> <ul style="list-style-type: none"> <li>• <b>NetSlopeAdjustmentFactor:</b> Specify the slope adjustment factor (F) part of the net slope, <math>F2^E</math> (for example, 1.0).</li> <li>• <b>NetFixedExponent:</b> Specify the fixed exponent (E) part of the net slope, <math>F2^E</math> (for example, -3.0).</li> </ul> <p>createAndAddConceptualArg function:</p> <ul style="list-style-type: none"> <li>• <b>CheckSlope:</b> Specify the value false.</li> <li>• <b>CheckBias:</b> Specify the value false.</li> <li>• <b>DataType:</b> Specify the value 'Fixed'.</li> </ul>

Match	Create entry	Minimally specify parameters
<p>Relative scaling between operator inputs and output (multiplication and division).</p>	<p>RTW.Tf1COperationEntry-Generator</p>	<p>setTf1COperationEntryParameters function:</p> <ul style="list-style-type: none"> <li>• <b>RelativeScalingFactorF:</b> Specify the slope adjustment factor (F) part of the relative scaling factor, <math>F2^E</math> (for example, 1.0).</li> <li>• <b>RelativeScalingFactorE:</b> Specify the fixed exponent (E) part of the relative scaling factor, <math>F2^E</math> (for example, -3.0).</li> </ul> <p>createAndAddConceptualArg function:</p> <ul style="list-style-type: none"> <li>• <b>CheckSlope:</b> Specify the value false.</li> <li>• <b>CheckBias:</b> Specify the value false.</li> <li>• <b>DataType:</b> Specify the value 'Fixed'.</li> </ul>
<p>Equal slope and zero net bias across operator inputs and output (addition and subtraction).</p>	<p>RTW.Tf1COperationEntry-Generator</p>	<p>setTf1COperationEntryParameters function:</p> <ul style="list-style-type: none"> <li>• <b>SlopesMustBeTheSame:</b> Specify the value true.</li> <li>• <b>MustHaveZeroNetBias:</b> Specify the value true.</li> </ul> <p>createAndAddConceptualArg function:</p> <ul style="list-style-type: none"> <li>• <b>CheckSlope:</b> Specify the value false.</li> <li>• <b>CheckBias:</b> Specify the value false.</li> </ul>



## Fixed-Point Numbers and Arithmetic

Fixed-point numbers use integers and integer arithmetic to represent real numbers and arithmetic with the following encoding scheme:

$$V = \tilde{V} = SQ + B$$

- $V$  is an arbitrarily precise real-world value.
- $\tilde{V}$  is the approximate real-world value that results from fixed-point representation.
- $Q$  is an integer that encodes  $\tilde{V}$ , referred to as the *quantized integer*.
- $S$  is a coefficient of  $Q$ , referred to as the *slope*.
- $B$  is an additive correction, referred to as the *bias*.

The general equation for an operation between fixed-point operands is:

$$(S_0 Q_0 + B_0) = (S_1 Q_1 + B_1) < op > (S_2 Q_2 + B_2)$$

The objective of fixed-point operator replacement is to replace an operator that accepts and returns fixed-point or integer inputs and output with a function that accepts and returns built-in C numeric data types. The following sections provide additional programming information for each supported operator.

### Addition

The operation  $V_0 = V_1 + V_2$  implies that

$$Q_0 = \left( \frac{S_1}{S_0} \right) Q_1 + \left( \frac{S_2}{S_0} \right) Q_2 + \left( \frac{B_1 + B_2 - B_0}{S_0} \right)$$

If an addition replacement function is defined such that the scaling on the operands and sum are equal and the net bias

$$\left( \frac{B_1 + B_2 - B_0}{S_0} \right)$$

is zero (for example, a function `s8_add_s8_s8` that adds two signed 8-bit values and produces a signed 8-bit result), then the operator entry must set the operator entry parameters `SlopesMustBeTheSame` and `MustHaveZeroNetBias` to `true`. (For parameter descriptions, see the reference page for the function `setTf1COperationEntryParameters`.)

## Subtraction

The operation  $V_0 = V_1 - V_2$  implies that

$$Q_0 = \left( \frac{S_1}{S_0} \right) Q_1 - \left( \frac{S_2}{S_0} \right) Q_2 + \left( \frac{B_1 - B_2 - B_0}{S_0} \right)$$

If a subtraction replacement function is defined such that the scaling on the operands and difference are equal and the net bias

$$\left( \frac{B_1 - B_2 - B_0}{S_0} \right)$$

is zero (for example, a function `s8_sub_s8_s8` that subtracts two signed 8-bit values and produces a signed 8-bit result), then the operator entry must set the operator entry parameters `SlopesMustBeTheSame` and `MustHaveZeroNetBias` to `true`. (For parameter descriptions, see the reference page for the function `setTf1COperationEntryParameters`.)

## Multiplication

There are different ways to specify multiplication replacements. The most direct way is to specify an exact match of the input and output types. This is feasible if a model contains only a few (known) slope and bias combinations. Use the `Tf1COperationEntry` class

and specify the exact values of slope and bias on each argument. For scenarios where there are numerous slope/bias combinations, it is not feasible to specify each value with a different entry. Use a net slope entry or create a custom entry.

The operation  $V_0 = V_1 * V_2$  implies, for binary-point-only scaling, that

$$S_0 Q_0 = (S_1 Q_1)(S_2 Q_2)$$

$$Q_0 = \left( \frac{S_1 S_2}{S_0} \right) Q_1 Q_2$$

$$Q_0 = S_n Q_1 Q_2$$

where  $S_n$  is the net slope.

It is common to replace all multiplication operations that have a net slope of 1.0 with a function that performs C-style multiplication. For example, to replace all signed 8-bit multiplications that have a net scaling of 1.0 with the `s8_mul_s8_u8` replacement function, the operator entry must define a net slope factor,  $F2^E$ . You specify the values for  $F$  and  $E$  using operator entry parameters `NetSlopeAdjustmentFactor` and `NetFixedExponent`. (For parameter descriptions, see the reference page for the function `setTf1CoperationEntryParameters`.) For the `s8_mul_s8_u8` function, set `NetSlopeAdjustmentFactor` to 1 and `NetFixedExponent` to 0.0.

---

**Note:** When an operator entry specifies `NetSlopeAdjustmentFactor` and `NetFixedExponent`, matching entries must have arguments with zero bias.

---

## Division

There are different ways to specify division replacements. The most direct way is to specify an exact match of the input and output types. This is feasible if a model contains only a few (known) slope and bias combinations. For this, use the `Tf1CoperationEntry` class and specify the exact values of slope and bias on each argument. For scenarios where there are numerous slope/bias combinations, it is not feasible to specify each value with a different entry. For this, use a net slope entry or create a custom entry (see “Customize Match and Replacement Process” on page 24-161).

The operation  $V_0 = (V_1 / V_2)$  implies, for binary-point-only scaling, that

$$S_0 Q_0 = \left( \frac{S_1 Q_1}{S_2 Q_2} \right)$$
$$Q_0 = S_n \left( \frac{Q_1}{Q_2} \right)$$

where  $S_n$  is the net slope.

It is common to replace all division operations that have a net slope of 1.0 with a function that performs C-style division. For example, to replace all signed 8-bit divisions that have a net scaling of 1.0 with the `s8_mul_s8_u8_` replacement function, the operator entry must define a net slope factor,  $F2^E$ . You specify the values for  $F$  and  $E$  using operator entry parameters `NetSlopeAdjustmentFactor` and `NetFixedExponent`. (For parameter descriptions, see the reference page for the function `setTf1COperationEntryParameters`.) For the `s16_netslope0p5_div_s16_s16` function, you would set `NetSlopeAdjustmentFactor` to 1 and `NetFixedExponent` to 0.0.

---

**Note:** When an operator entry specifies `NetSlopeAdjustmentFactor` and `NetFixedExponent`, matching entries must have arguments with zero bias.

---

## Data Type Conversion (Cast)

The data type conversion operation  $V_0 = V_1$  implies, for binary-point-only scaling, that

$$Q_0 = \left( \frac{S_1}{S_0} \right) Q_1$$
$$Q_0 = S_n Q_1$$

where  $S_n$  is the net slope.

## Shift

The shift left or shift right operation  $V_0 = (V_1 / 2^n)$  implies, for binary-point-only scaling, that

$$S_0 Q_0 = \left( \frac{S_1 Q_1}{2^n} \right)$$

$$Q_0 = \left( \frac{S_1}{S_0} \right) + \left( \frac{Q_1}{2^n} \right)$$

$$Q_0 = S_n \left( \frac{Q_1}{2^n} \right)$$

where  $S_n$  is the net slope.

## Related Examples

- “Define Code Replacement Mappings” on page 25-31
- “Binary-Point-Only Scaling Code Replacement” on page 25-144
- “Slope Bias Scaling Code Replacement” on page 25-147
- “Net Slope Scaling Code Replacement” on page 25-150
- “Equal Slope and Zero Net Bias Code Replacement” on page 25-157
- “Data Type Conversions (Casts) and Operator Code Replacement” on page 25-160
- “Shift Left Operations and Code Replacement” on page 25-165
- “Remap Operator Output to Function Input” on page 25-132
- “Customize Match and Replacement Process for Operators” on page 25-170
- “Develop a Code Replacement Library” on page 25-16
- “Quick Start Library Development” on page 25-17
- Replacing Math Functions and Operators

## More About

- “What Is Code Replacement?” on page 47-2
- “What Is Code Replacement Customization?” on page 25-3
- “Code You Can Replace from MATLAB Code” on page 25-4
- “Code Replacement Match and Replacement Process” on page 25-14
- “Code Replacement Libraries” on page 47-14
- “Code Replacement Terminology” on page 47-16

## Binary-Point-Only Scaling Code Replacement

You can define code replacement entries for operations on fixed-point data types such that they match a binary-point-only scaling combination on operator inputs and output. These binary-point-only scaling entries can map the specified binary-point-scaling combination to a replacement function for addition, subtraction, multiplication, or division.

This example creates a code replacement entry for multiplication of fixed-point data types. You specify arguments using binary-point-only scaling. The example defines the function mapping programmatically. Alternatively, you can use the Code Replacement Tool to define the same mapping.

- 1 Create a table definition file that contains a function definition. For example:

```
function hTable = crl_table_fixed_binptscale
```

- 2 Within the function body, create the table by calling the function `RTW.Tf1Table`.

```
hTable = RTW.Tf1Table;
```

- 3 Create the entry for the operator mapping with a call to the `RTW.Tf1COperationEntry` function.

```
op_entry = RTW.Tf1COperationEntry;
```

- 4 Set operator entry parameters with a call to the `setTf1COperationEntryParameters` function. The parameters specify the type of operation as multiplication, the saturation mode as saturate on integer overflow, rounding modes as unspecified, and the name of the replacement function as `s32_mul_s16_s16_binarypoint`.

```
setTf1COperationEntryParameters(op_entry, ...
    'Key', 'RTW_OP_MUL', ...
    'Priority', 90, ...
    'SaturationMode', 'RTW_SATURATE_ON_OVERFLOW', ...
    'RoundingModes', {'RTW_ROUND_UNSPECIFIED'}, ...
    'ImplementationName', 's32_mul_s16_s16_binarypoint', ...
    'ImplementationHeaderFile', 's32_mul_s16_s16_binarypoint.h', ...
    'ImplementationSourceFile', 's32_mul_s16_s16_binarypoint.c');
```

- 5 Create conceptual arguments `y1`, `u1`, and `u2`. There are multiple ways to set up the conceptual arguments. This example uses calls to the `createAndAddConceptualArg` function to create and add an argument with one function call. Each argument specifies that the data type is fixed-point, the mode is binary-point-only scaling, and its derived slope and bias values must exactly match the call-site slope and bias values. The output argument is 32 bits, signed, with a

fraction length of 28. The input arguments are 16 bits, signed, with fraction lengths of 15 and 13.

```
createAndAddConceptualArg(op_entry, 'RTW.Tf1ArgNumeric',...
    'Name',          'y1', ...
    'IOType',        'RTW_IO_OUTPUT', ...
    'CheckSlope',    true, ...
    'CheckBias',     true, ...
    'DataTypeMode',  'Fixed-point: binary point scaling', ...
    'IsSigned',      true, ...
    'WordLength',    32, ...
    'FractionLength', 28);

createAndAddConceptualArg(op_entry, 'RTW.Tf1ArgNumeric', ...
    'Name',          'u1', ...
    'IOType',        'RTW_IO_INPUT', ...
    'CheckSlope',    true, ...
    'CheckBias',     true, ...
    'DataTypeMode',  'Fixed-point: binary point scaling', ...
    'IsSigned',      true, ...
    'WordLength',    16, ...
    'FractionLength', 15);

createAndAddConceptualArg(op_entry, 'RTW.Tf1ArgNumeric', ...
    'Name',          'u2', ...
    'IOType',        'RTW_IO_INPUT', ...
    'CheckSlope',    true, ...
    'CheckBias',     true, ...
    'DataTypeMode',  'Fixed-point: binary point scaling', ...
    'IsSigned',      true, ...
    'WordLength',    16, ...
    'FractionLength', 13);
```

- 6 Create the implementation arguments. There are multiple ways to set up the implementation arguments. This example uses calls to the `createAndSetCImplementationReturn` and `createAndAddImplementationArg` functions to create and add implementation arguments to the entry. Implementation arguments must describe fundamental numeric data types (not fixed-point data types). In this case, the output argument is 32 bits and signed (`int32`). The input arguments are 16 bits and signed (`int16`).

```
createAndSetCImplementationReturn(op_entry, 'RTW.Tf1ArgNumeric', ...
    'Name',          'y1', ...
    'IOType',        'RTW_IO_OUTPUT', ...
    'IsSigned',      true, ...
    'WordLength',    32, ...
    'FractionLength', 0);

createAndAddImplementationArg(op_entry, 'RTW.Tf1ArgNumeric',...
    'Name',          'u1', ...
    'IOType',        'RTW_IO_INPUT', ...
    'IsSigned',      true, ...
    'WordLength',    16, ...
```

```
    'FractionLength', 0);  
createAndAddImplementationArg(op_entry, 'RTW.Tf1ArgNumeric', ...  
    'Name',          'u2', ...  
    'IOType',        'RTW_IO_INPUT', ...  
    'IsSigned',      true, ...  
    'WordLength',    16, ...  
    'FractionLength', 0);
```

- 7 Add the entry to a code replacement table with a call to the `addEntry` function.

```
addEntry(hTable, op_entry);
```

- 8 Save the table definition file. Use the name of the table definition function to name the file.

## Related Examples

- “Define Code Replacement Mappings” on page 25-31
- “Fixed-Point Operator Code Replacement” on page 25-135
- “Slope Bias Scaling Code Replacement” on page 25-147
- “Net Slope Scaling Code Replacement” on page 25-150
- “Equal Slope and Zero Net Bias Code Replacement” on page 25-157
- “Data Type Conversions (Casts) and Operator Code Replacement” on page 25-160
- “Shift Left Operations and Code Replacement” on page 25-165
- “Remap Operator Output to Function Input” on page 25-132
- “Customize Match and Replacement Process for Operators” on page 25-170
- “Develop a Code Replacement Library” on page 25-16
- “Quick Start Library Development” on page 25-17
- Replacing Math Functions and Operators

## More About

- “What Is Code Replacement?” on page 47-2
- “What Is Code Replacement Customization?” on page 25-3
- “Code You Can Replace from MATLAB Code” on page 25-4
- “Code Replacement Match and Replacement Process” on page 25-14
- “Code Replacement Libraries” on page 47-14
- “Code Replacement Terminology” on page 47-16



## Slope Bias Scaling Code Replacement

You can define code replacement for operations on fixed-point data types as matching a slope bias scaling combination on the operator inputs and output. The slope bias scaling entries can map the specified slope bias combination to a replacement function for addition, subtraction, multiplication, or division.

This example creates a code replacement entry for division of fixed-point data types. You specify arguments using slope bias scaling. The example defines the function mapping programmatically. Alternatively, you can use the Code Replacement Tool to define the same mapping.

- 1 Create a table definition file that contains a function definition. For example:

```
function hTable = crl_table_fixed_s16divslopebias
```

- 2 Within the function body, create the table by calling the function `RTW.Tf1Table`.

```
hTable = RTW.Tf1Table;
```

- 3 Create the entry for the operator mapping with a call to the `RTW.Tf1COperationEntry` function.

```
op_entry = RTW.Tf1COperationEntry;
```

- 4 Set operator entry parameters with a call to the `setTf1COperationEntryParameters` function. The parameters specify the type of operation as division, the saturation mode as saturate on integer overflow, rounding modes as round to ceiling, and the name of the replacement function as `s16_div_s16_s16_slopebias`.

```
setTf1COperationEntryParameters(op_entry, ...
    'Key', 'RTW_OP_DIV', ...
    'Priority', 90, ...
    'SaturationMode', 'RTW_SATURATE_ON_OVERFLOW', ...
    'RoundingModes', {'RTW_ROUND_CEILING'}, ...
    'ImplementationName', 's16_div_s16_s16_slopebias', ...
    'ImplementationHeaderFile', 's16_div_s16_s16_slopebias.h', ...
    'ImplementationSourceFile', 's16_div_s16_s16_slopebias.c');
```

- 5 Create conceptual arguments `y1`, `u1`, and `u2`. There are multiple ways to set up the conceptual arguments. This example uses calls to the `createAndAddConceptualArg` function to create and add an argument with one function call. Each argument specifies that the data type is fixed-point, the mode is slope bias scaling, and its specified slope and bias values must exactly match the call-site slope and bias values. The output argument and input arguments are 16 bits, signed, each with specific slope bias specifications.

```

createAndAddConceptualArg(op_entry, 'RTW.Tf1ArgNumeric', ...
    'Name',          'y1', ...
    'IOType',        'RTW_IO_OUTPUT', ...
    'CheckSlope',    true, ...
    'CheckBias',     true, ...
    'DataTypeMode',  'Fixed-point: slope and bias scaling', ...
    'IsSigned',      true, ...
    'WordLength',    16, ...
    'Slope',         15, ...
    'Bias',          2);

createAndAddConceptualArg(op_entry, 'RTW.Tf1ArgNumeric', ...
    'Name',          'u1', ...
    'IOType',        'RTW_IO_INPUT', ...
    'CheckSlope',    true, ...
    'CheckBias',     true, ...
    'DataTypeMode',  'Fixed-point: slope and bias scaling', ...
    'IsSigned',      true, ...
    'WordLength',    16, ...
    'Slope',         15, ...
    'Bias',          2);

createAndAddConceptualArg(op_entry, 'RTW.Tf1ArgNumeric', ...
    'Name',          'u2', ...
    'IOType',        'RTW_IO_INPUT', ...
    'CheckSlope',    true, ...
    'CheckBias',     true, ...
    'DataTypeMode',  'Fixed-point: slope and bias scaling', ...
    'IsSigned',      true, ...
    'WordLength',    16, ...
    'Slope',         13, ...
    'Bias',          5);

```

- 6 Create the implementation arguments. There are multiple ways to set up the implementation arguments. This example uses calls to the `createAndSetCImplementationReturn` and `createAndAddImplementationArg` functions to create and add implementation arguments to the entry. Implementation arguments must describe fundamental numeric data types (not fixed-point data types). In this case, the output and input arguments are 16 bits and signed (`int16`).

```

createAndSetCImplementationReturn(op_entry, 'RTW.Tf1ArgNumeric', ...
    'Name',          'y1', ...
    'IOType',        'RTW_IO_OUTPUT', ...
    'IsSigned',      true, ...
    'WordLength',    16, ...
    'FractionLength', 0);

createAndAddImplementationArg(op_entry, 'RTW.Tf1ArgNumeric', ...
    'Name',          'u1', ...
    'IOType',        'RTW_IO_INPUT', ...
    'IsSigned',      true, ...
    'WordLength',    16, ...

```

```

    'FractionLength', 0);

createAndAddImplementationArg(op_entry, 'RTW.Tf1ArgNumeric',...
    'Name',          'u2', ...
    'IOType',        'RTW_IO_INPUT', ...
    'IsSigned',      true, ...
    'WordLength',    16, ...
    'FractionLength', 0);

```

- 7 Add the entry to a code replacement table with a call to the `addEntry` function.

```
addEntry(hTable, op_entry);
```

- 8 Save the table definition file. Use the name of the table definition function to name the file.

## Related Examples

- “Define Code Replacement Mappings” on page 25-31
- “Fixed-Point Operator Code Replacement” on page 25-135
- “Binary-Point-Only Scaling Code Replacement” on page 25-144
- “Net Slope Scaling Code Replacement” on page 25-150
- “Equal Slope and Zero Net Bias Code Replacement” on page 25-157
- “Data Type Conversions (Casts) and Operator Code Replacement” on page 25-160
- “Shift Left Operations and Code Replacement” on page 25-165
- “Remap Operator Output to Function Input” on page 25-132
- “Customize Match and Replacement Process for Operators” on page 25-170
- “Develop a Code Replacement Library” on page 25-16
- “Quick Start Library Development” on page 25-17
- Replacing Math Functions and Operators

## More About

- “What Is Code Replacement?” on page 47-2
- “What Is Code Replacement Customization?” on page 25-3
- “Code You Can Replace from MATLAB Code” on page 25-4
- “Code Replacement Match and Replacement Process” on page 25-14
- “Code Replacement Libraries” on page 47-14
- “Code Replacement Terminology” on page 47-16

## Net Slope Scaling Code Replacement

### In this section...

“Multiplication and Division with Saturation” on page 25-150

“Multiplication and Division with Rounding Mode and Additional Implementation Arguments” on page 25-153

### Multiplication and Division with Saturation

You can define code replacement entries for operations on fixed-point data types as matching net slope between operator inputs and output. The net slope entries can map a range of slope and bias values to a replacement function for multiplication or division.

This example creates a code replacement entry for division of fixed-point data types, using wrap on overflow saturation mode and a net slope. The example defines the function mapping programmatically. Alternatively, you can use the Code Replacement Tool to define the same mapping.

- 1 Create a table definition file that contains a function definition. For example:
 

```
function hTable = crl_table_fixed_netslopesaturate
```
- 2 Within the function body, create the table by calling the function `RTW.Tf1Table`.
 

```
hTable = RTW.Tf1Table;
```
- 3 Create the entry for the operator mapping with a call to the `RTW.Tf1COperationEntryGenerator_Netslope` function, which provides access to the fixed-point parameters `NetSlopeAdjustmentFactor` and `NetFixedExponent`.

```
wv = [16,32];
for iy = 1:2
    for inum = 1:2
        for iden = 1:2
            hTable = getDivOpEntry(hTable, ...
                fixdt(1,wv(iy)),fixdt(1,wv(inum)),fixdt(1,wv(iden)));
        end
    end
end
```

```
%-----
function hTable = getDivOpEntry(hTable, dty, dtnum, dtiden)
%-----
% Create an entry for division of fixed-point data types where
```

```
% arguments are specified using Slope and Bias scaling
% Saturation on, Rounding unspecified
```

```
funcStr = sprintf('user_div_%s_%s_%s',...
    typeStrFunc(dty),...
    typeStrFunc(dtnum),...
    typeStrFunc(dtden));
```

```
op_entry = RTW.Tf1COperationEntryGenerator_NetSlope;
```

- 4 Set operator entry parameters with a call to the `setTf1COperationEntryParameters` function. The parameters specify the type of operation as division, the saturation mode as wrap on overflow, rounding modes as unspecified, and the name of the replacement function as `user_div_*`. `NetSlopeAdjustmentFactor` and `NetFixedExponent` specify the F and E parts of the net slope  $F2^E$ .

```
setTf1COperationEntryParameters(op_entry, ...
    'Key', 'RTW_OP_DIV', ...
    'Priority', 90, ...
    'SaturationMode', 'RTW_WRAP_ON_OVERFLOW',...
    'RoundingModes', {'RTW_ROUND_UNSPECIFIED'},...
    'NetSlopeAdjustmentFactor', 1.0, ...
    'NetFixedExponent', 0.0, ...
    'ImplementationName', funcStr, ...
    'ImplementationHeaderFile', [funcStr, '.h'], ...
    'ImplementationSourceFile', [funcStr, '.c']);
```

- 5 Create conceptual arguments `y1`, `u1`, and `u2`. There are multiple ways to set up the conceptual arguments. This example uses calls to the `createAndAddConceptualArg` function to create and add an argument with one function call. Specify each argument as fixed-point and signed. Also, for each argument, specify that code replacement request processing does *not* check for an exact match to the call-site slope and bias values.

```
createAndAddConceptualArg(op_entry, ...
    'RTW.Tf1ArgNumeric', ...
    'Name', 'y1',...
    'IOType', 'RTW_IO_OUTPUT',...
    'CheckSlope', false,...
    'CheckBias', false,...
    'DataTypeMode', 'Fixed-point: slope and bias scaling',...
    'IsSigned', dty.Signed,...
    'WordLength', dty.WordLength,...
    'Bias', 0);
```

```
createAndAddConceptualArg(op_entry, ...
    'RTW.Tf1ArgNumeric',...
    'Name', 'u1', ...
    'IOType', 'RTW_IO_INPUT',...
    'CheckSlope', false,...
    'CheckBias', false,...
```

```

    'DataTypeMode', 'Fixed-point: slope and bias scaling',...
    'IsSigned',     dtnum.Signed,...
    'WordLength',  dtnum.WordLength,...
    'Bias',        0);

createAndAddConceptualArg(op_entry, ...
    'RTW.Tf1ArgNumeric', ...
    'Name',          'u2', ...
    'IOType',        'RTW_IO_INPUT',...
    'CheckSlope',    false,...
    'CheckBias',     false,...
    'DataTypeMode', 'Fixed-point: slope and bias scaling',...
    'IsSigned',     dtden.Signed,...
    'WordLength',   dtden.WordLength,...
    'Bias',         0);

```

- 6 Create the implementation arguments. There are multiple ways to set up the implementation arguments. This example uses calls to the `getTf1ArgFromString` function to create the arguments. Implementation arguments must describe fundamental numeric data types (not fixed-point data types). The convenience methods `setReturn` and `addArgument` specify whether an argument is a return value or argument. These methods add the argument to the entry array of implementation arguments.

```

arg = getTf1ArgFromString(hTable, 'y1', typeStrBase(dty));
op_entry.Implementation.setReturn(arg);

arg = getTf1ArgFromString(hTable, 'u1', typeStrBase(dtnum));
op_entry.Implementation.addArgument(arg);

arg = getTf1ArgFromString(hTable, 'u2', typeStrBase(dtden));
op_entry.Implementation.addArgument(arg);

```

- 7 Add the entry to a code replacement table with a call to the `addEntry` function.

```
addEntry(hTable, op_entry);
```

- 8 Define functions that determine the data type word length.

```

%-----
function str = typeStrFunc(dt)
%-----

if dt.Signed
    sstr = 's';
else
    sstr = 'u';
end
str = sprintf('%s%d', sstr, dt.WordLength);

%-----
function str = typeStrBase(dt)
%-----

```

```

if dt.Signed
    sstr = ;
else
    sstr = 'u';
end
str = sprintf('%sint%d',sstr,dt.WordLength);

```

- 9 Save the table definition file. Use the name of the table definition function to name the file.

## Multiplication and Division with Rounding Mode and Additional Implementation Arguments

You can define code replacement entries for multiplication and division operations on fixed-point data types such that they match the net slope between operator inputs and output. The net slope entries can map a range of slope and bias values to a replacement function for multiplication or division.

This example creates a code replacement entry for division of fixed-point data types, using the ceiling rounding mode and a net slope scaling factor. The example defines the function mapping programmatically. Alternatively, you can use the Code Replacement Tool to define the same mapping.

- 1 Create a table definition file that contains a function definition. For example:

```
function hTable = crl_table_fixed_netsloperound
```

- 2 Within the function body, create the table by calling the function `RTW.Tf1Table`.

```
hTable = RTW.Tf1Table;
```

- 3 Create the entry for the operator mapping with a call to the `RTW.Tf1COperationEntryGenerator_Netslope` function, which provides access to the fixed-point parameters `NetSlopeAdjustmentFactor` and `NetFixedExponent`.

```
op_entry = RTW.Tf1COperationEntryGenerator_NetSlope;
```

- 4 Set operator entry parameters with a call to the `setTf1COperationEntryParameters` function. The parameters specify the type of operation as division, the saturation mode as saturation off, rounding modes as round to ceiling, and the name of the replacement function as `s16_div_s16_s16`. `NetSlopeAdjustmentFactor` and `NetFixedExponent` specify the F and E parts of the relative scaling factor  $F2^E$ .

```
setTf1COperationEntryParameters(op_entry, ...
```

```

'Key',                'RTW_OP_DIV', ...
'Priority',            90, ...
'SaturationMode',    'RTW_WRAP_ON_OVERFLOW', ...
'RoundingModes',     {'RTW_ROUND_CEILING'}, ...
'NetSlopeAdjustmentFactor', 1.0, ...
'NetFixedExponent',   0.0, ...
'ImplementationName', 's16_div_s16_s16', ...
'ImplementationHeaderFile', 's16_div_s16_s16.h', ...
'ImplementationSourceFile', 's16_div_s16_s16.c');

```

- 5 Create conceptual arguments `y1`, `u1`, and `u2`. There are multiple ways to set up the conceptual arguments. This example uses calls to the `createAndAddConceptualArg` function to create and add an argument with one function call. Specify each argument as fixed-point, 16 bits, and signed. Also, for each argument, specify that code replacement request processing does *not* check for an exact match to the call-site slope and bias values.

```

createAndAddConceptualArg(op_entry, 'RTW.Tf1ArgNumeric', ...
    'Name',            'y1', ...
    'IOType',          'RTW_IO_OUTPUT', ...
    'CheckSlope',      false, ...
    'CheckBias',       false, ...
    'DataType',        'Fixed', ...
    'IsSigned',        true, ...
    'WordLength',      16);

```

```

createAndAddConceptualArg(op_entry, 'RTW.Tf1ArgNumeric', ...
    'Name',            'u1', ...
    'IOType',          'RTW_IO_INPUT', ...
    'CheckSlope',      false, ...
    'CheckBias',       false, ...
    'DataType',        'Fixed', ...
    'IsSigned',        true, ...
    'WordLength',      16);

```

```

createAndAddConceptualArg(op_entry, 'RTW.Tf1ArgNumeric', ...
    'Name',            'u2', ...
    'IOType',          'RTW_IO_INPUT', ...
    'CheckSlope',      false, ...
    'CheckBias',       false, ...
    'DataType',        'Fixed', ...
    'IsSigned',        true, ...
    'WordLength',      16);

```

- 6 Create the implementation arguments. There are multiple ways to set up the implementation arguments. This example uses calls to the `createAndSetCImplementationReturn` and `createAndAddImplementationArg` functions to create and add implementation arguments to the entry. Implementation arguments must describe fundamental numeric data types (not fixed-point data types). In this case, the output and input arguments are 16 bits and signed (`int16`).



```

createAndSetCImplementationReturn(op_entry, 'RTW.Tf1ArgNumeric', ...
    'Name', 'y1', ...
    'IOType', 'RTW_IO_OUTPUT', ...
    'IsSigned', true, ...
    'WordLength', 16, ...
    'FractionLength', 0);

createAndAddImplementationArg(op_entry, 'RTW.Tf1ArgNumeric',...
    'Name', 'u1', ...
    'IOType', 'RTW_IO_INPUT', ...
    'IsSigned', true, ...
    'WordLength', 16, ...
    'FractionLength', 0);

createAndAddImplementationArg(op_entry, 'RTW.Tf1ArgNumeric',...
    'Name', 'u2', ...
    'IOType', 'RTW_IO_INPUT', ...
    'IsSigned', true, ...
    'WordLength', 16, ...
    'FractionLength', 0);

```

- 7 Add the entry to a code replacement table with a call to the `addEntry` function.

```
addEntry(hTable, op_entry);
```

- 8 Save the table definition file. Use the name of the table definition function to name the file.

## Related Examples

- “Define Code Replacement Mappings” on page 25-31
- “Fixed-Point Operator Code Replacement” on page 25-135
- “Binary-Point-Only Scaling Code Replacement” on page 25-144
- “Slope Bias Scaling Code Replacement” on page 25-147
- “Equal Slope and Zero Net Bias Code Replacement” on page 25-157
- “Data Type Conversions (Casts) and Operator Code Replacement” on page 25-160
- “Shift Left Operations and Code Replacement” on page 25-165
- “Remap Operator Output to Function Input” on page 25-132
- “Customize Match and Replacement Process for Operators” on page 25-170
- “Develop a Code Replacement Library” on page 25-16
- “Quick Start Library Development” on page 25-17

## More About

- “What Is Code Replacement?” on page 47-2

- “What Is Code Replacement Customization?” on page 25-3
- “Code You Can Replace from MATLAB Code” on page 25-4
- “Code Replacement Match and Replacement Process” on page 25-14
- “Code Replacement Libraries” on page 47-14
- “Code Replacement Terminology” on page 47-16

## Equal Slope and Zero Net Bias Code Replacement

You can define code replacement entries for addition or subtraction of fixed-point data types such that they match relative slope and bias values (equal slope and zero net bias) across operator inputs and output. These entries allow you to disregard slope and bias values. Map relative slope and bias values to a replacement function for addition or subtraction.

This example creates a code replacement entry for addition of fixed-point data types. Slopes must be equal and net bias must be zero across the operator inputs and output. The example defines the function mapping programmatically. Alternatively, you can use the Code Replacement Tool to define the same mapping.

- 1 Create a table definition file that contains a function definition. For example:

```
function hTable = crl_table_fixed_slopeseq_netbiaszero
```

- 2 Within the function body, create the table by calling the function `RTW.Tf1Table`.

```
hTable = RTW.Tf1Table;
```

- 3 Create the entry for the operator mapping with a call to the `RTW.Tf1COperationEntryGenerator` function, which provides access to the fixed-point parameters `SlopesMustBeTheSame` and `MustHaveZeroNetBias`.

```
op_entry = RTW.Tf1COperationEntryGenerator;
```

- 4 Set operator entry parameters with a call to the `setTf1COperationEntryParameters` function. The parameters specify the type of operation as addition, the saturation mode as saturation off, rounding modes as unspecified, and the name of the replacement function as `u16_add_SameSlopeZeroBias`. `SlopesMustBeTheSame` and `MustHaveZeroNetBias` are set to `true`, indicating that slopes must be equal and net bias must be zero across the addition inputs and output.

```
setTf1COperationEntryParameters(op_entry, ...
    'Key', 'RTW_OP_ADD', ...
    'Priority', 90, ...
    'SaturationMode', 'RTW_WRAP_ON_OVERFLOW', ...
    'RoundingModes', {'RTW_ROUND_UNSPECIFIED'}, ...
    'SlopesMustBeTheSame', true, ...
    'MustHaveZeroNetBias', true, ...
    'ImplementationName', 'u16_add_SameSlopeZeroBias', ...
    'ImplementationHeaderFile', 'u16_add_SameSlopeZeroBias.h', ...
    'ImplementationSourceFile', 'u16_add_SameSlopeZeroBias.c');
```

- 5 Create conceptual arguments `y1`, `u1`, and `u2`. There are multiple ways to set up the conceptual arguments. This example uses calls to the `createAndAddConceptualArg` function to create and add an argument with one function call. Each argument is specified as 16 bits and unsigned. Each argument specifies that code replacement request processing does *not* check for an exact match to the call-site slope and bias values.

```
createAndAddConceptualArg(op_entry, 'RTW.Tf1ArgNumeric', ...
    'Name',          'y1', ...
    'IOType',        'RTW_IO_OUTPUT', ...
    'CheckSlope',    false, ...
    'CheckBias',     false, ...
    'IsSigned',      false, ...
    'WordLength',    16);

createAndAddConceptualArg(op_entry, 'RTW.Tf1ArgNumeric', ...
    'Name',          'u1', ...
    'IOType',        'RTW_IO_INPUT', ...
    'CheckSlope',    false, ...
    'CheckBias',     false, ...
    'IsSigned',      false, ...
    'WordLength',    16);

createAndAddConceptualArg(op_entry, 'RTW.Tf1ArgNumeric', ...
    'Name',          'u2', ...
    'IOType',        'RTW_IO_INPUT', ...
    'CheckSlope',    false, ...
    'CheckBias',     false, ...
    'IsSigned',      false, ...
    'WordLength',    16);
```

- 6 Create the implementation arguments. There are multiple ways to set up the implementation arguments. This example uses calls to the `createAndSetCImplementationReturn` and `createAndAddImplementationArg` functions to create and add implementation arguments to the entry. Implementation arguments must describe fundamental numeric data types (not fixed-point data types). In this case, the output and input arguments are 16 bits and unsigned (`uint16`).

```
createAndSetCImplementationReturn(op_entry, 'RTW.Tf1ArgNumeric', ...
    'Name',          'y1', ...
    'IOType',        'RTW_IO_OUTPUT', ...
    'IsSigned',      false, ...
    'WordLength',    16, ...
    'FractionLength', 0);

createAndAddImplementationArg(op_entry, 'RTW.Tf1ArgNumeric', ...
    'Name',          'u1', ...
    'IOType',        'RTW_IO_INPUT', ...
    'IsSigned',      false, ...
    'WordLength',    16, ...
```

```

        'FractionLength', 0);

createAndAddImplementationArg(op_entry, 'RTW.Tf1ArgNumeric',...
    'Name',          'u2', ...
    'IOType',        'RTW_IO_INPUT', ...
    'IsSigned',      false, ...
    'WordLength',    16, ...
    'FractionLength', 0);

```

- 7 Add the entry to a code replacement table with a call to the `addEntry` function.

```
addEntry(hTable, op_entry);
```

- 8 Save the table definition file. Use the name of the table definition function to name the file.

## Related Examples

- “Define Code Replacement Mappings” on page 25-31
- “Fixed-Point Operator Code Replacement” on page 25-135
- “Binary-Point-Only Scaling Code Replacement” on page 25-144
- “Slope Bias Scaling Code Replacement” on page 25-147
- “Net Slope Scaling Code Replacement” on page 25-150
- “Data Type Conversions (Casts) and Operator Code Replacement” on page 25-160
- “Shift Left Operations and Code Replacement” on page 25-165
- “Remap Operator Output to Function Input” on page 25-132
- “Customize Match and Replacement Process for Operators” on page 25-170
- “Develop a Code Replacement Library” on page 25-16
- “Quick Start Library Development” on page 25-17

## More About

- “What Is Code Replacement?” on page 47-2
- “What Is Code Replacement Customization?” on page 25-3
- “Code You Can Replace from MATLAB Code” on page 25-4
- “Code Replacement Match and Replacement Process” on page 25-14
- “Code Replacement Libraries” on page 47-14
- “Code Replacement Terminology” on page 47-16

## Data Type Conversions (Casts) and Operator Code Replacement

You can use code replacement entries to replace code that the code generator produces for data type conversion (cast) operations.

This example creates a code replacement entry that replaces `int32` to `int16` data type conversion (cast) operations. The example defines the function mapping programmatically. Alternatively, you can use the Code Replacement Tool to define the same mapping.

- 1 Create a table definition file that contains a function definition. For example:

```
function hTable = crl_table_cast_int32_to_int16
```

- 2 Within the function body, create the table by calling the function `RTW.Tf1Table`.

```
hTable = RTW.Tf1Table;
```

- 3 Create the entry for the operator mapping with a call to the `RTW.Tf1COperationEntry` function.

```
op_entry = RTW.Tf1COperationEntry;
```

- 4 Set operator entry parameters with a call to the `setTf1COperationEntryParameters` function. The parameters specify the type of operation as `cast`, the saturation mode as `saturate on integer overflow`, rounding modes as `toward negative infinity`, and the name of the replacement function as `my_sat_cast`.

```
setTf1COperationEntryParameters(op_entry, ...
    'Key', 'RTW_OP_CAST', ...
    'Priority', 50, ...
    'ImplementationName', 'my_sat_cast', ...
    'SaturationMode', 'RTW_SATURATE_ON_OVERFLOW', ...
    'RoundingModes', {'RTW_ROUND_FLOOR'}, ...
    'ImplementationHeaderFile', 'some_hdr.h', ...
    'ImplementationSourceFile', 'some_hdr.c');
```

- 5 Create the `int16` argument as conceptual argument `y1` and the implementation return value. There are multiple ways to set up the conceptual and implementation arguments. This example uses calls to the `getTf1ArgFromString` and `addConceptualArg` functions to create the conceptual argument and add it to the entry. Convenience method `setReturn` specifies the argument as the implementation return value.

```
arg = getTf1ArgFromString(hTable, 'y1', 'int16');
arg.IOType = 'RTW_IO_OUTPUT';
addConceptualArg(op_entry, arg);
```

```
op_entry.Implementation.setReturn(arg);
```

- 6 Create the `int32` argument as conceptual and implementation argument `u1`. This example uses calls to the `getTf1ArgFromString` and `addConceptualArg` functions to create the conceptual argument and add it to the entry. Convenience method `addArgument` specifies the argument as implementation input argument.

```
arg = getTf1ArgFromString(hTable, 'u1', 'int32');
addConceptualArg(op_entry, arg);
op_entry.Implementation.addArgument(arg);
```

- 7 Add the entry to a code replacement table with a call to the `addEntry` function.

```
addEntry(hLib, hEnt);
```

- 8 Save the table definition file. Use the name of the table definition function to name the file.

You can use code replacement entries to replace code that the code generator produces for data type conversion (cast) operations.

This example creates a code replacement entry to replace data type conversions (casts) of fixed-point data types by using a net slope. The example defines the function mapping programmatically. Alternatively, you can use the Code Replacement Tool to define the same mapping.

- 1 Create a table definition file that contains a function definition. For example:

```
function hTable = crl_table_cast_fixpt_net_slope
```

- 2 Within the function body, create the table by calling the function `RTW.Tf1Table`.

```
hTable = RTW.Tf1Table;
```

- 3 Create the entry for the operator mapping with a call to the `RTW.Tf1COperationEntryGenerator_Netslope` function, which provides access to the fixed-point parameters `NetSlopeAdjustmentFactor` and `NetFixedExponent`

```
op_entry = RTW.Tf1COperationEntryGenerator_NetSlope;
```

- 4 Set operator entry parameters with a call to the `setTf1COperationEntryParameters` function. The parameters specify the type of operation as cast, the saturation mode as saturate on integer overflow, rounding modes as toward negative infinity, and the name of the replacement function as `my_fxp_cast`. `NetSlopeAdjustmentFactor` and `NetFixedExponent` specify the F and E parts of the net slope  $F2^E$ .

```

InFL = 2;
InWL = 16;
InSgn = true;
OutFL = 4;
OutWL = 32;
OutSgn = true;
setTf1COperationEntryParameters(op_entry, ...
    'Key', 'RTW_OP_CAST', ...
    'Priority', 50, ...
    'SaturationMode', 'RTW_SATURATE_ON_OVERFLOW', ...
    'RoundingModes', {'RTW_ROUND_FLOOR'}, ...
    'NetSlopeAdjustmentFactor', 1.0, ...
    'NetFixedExponent', (OutFL - InFL), ...
    'ImplementationName', 'my_fxp_cast', ...
    'ImplementationHeaderFile', 'some_hdr.h', ...
    'ImplementationSourceFile', 'some_hdr.c');

```

- 5 Create conceptual arguments `y1` and `u1`. There are multiple ways to set up the conceptual arguments. This example uses calls to the `createAndAddConceptualArg` function to create and add an argument with one function call. Each argument is specified as fixed-point and signed. Each argument specifies that code replacement request processing does *not* check for an exact match to the call-site slope and bias values.

```

createAndAddConceptualArg(op_entry, 'RTW.Tf1ArgNumeric', ...
    'Name', 'y1', ...
    'IOType', 'RTW_IO_OUTPUT', ...
    'CheckSlope', false, ...
    'CheckBias', false, ...
    'DataTypeMode', 'Fixed-point: binary point scaling', ...
    'IsSigned', OutSgn, ...
    'WordLength', OutWL, ...
    'FractionLength', OutFL);

```

```

createAndAddConceptualArg(op_entry, 'RTW.Tf1ArgNumeric', ...
    'Name', 'u1', ...
    'IOType', 'RTW_IO_INPUT', ...
    'CheckSlope', false, ...
    'CheckBias', false, ...
    'DataTypeMode', 'Fixed-point: binary point scaling', ...
    'IsSigned', InSgn, ...
    'WordLength', InWL, ...
    'FractionLength', InFL);

```

- 6 Create the implementation arguments. There are multiple ways to set up the implementation arguments. This example uses calls to the `createAndSetCImplementationReturn` and `createAndAddImplementationArg` functions to create and add implementation arguments to the entry. Implementation arguments must describe fundamental numeric data types (not fixed-point data types).



```

createAndSetCImplementationReturn(op_entry, 'RTW.Tf1ArgNumeric', ...
    'Name',          'y1', ...
    'IOType',       'RTW_IO_OUTPUT', ...
    'IsSigned',     OutSgn, ...
    'WordLength',   OutWL, ...
    'FractionLength', 0);

createAndAddImplementationArg(op_entry, 'RTW.Tf1ArgNumeric',...
    'Name',          'u1', ...
    'IOType',       'RTW_IO_INPUT', ...
    'IsSigned',     InSgn, ...
    'WordLength',   InWL, ...
    'FractionLength', 0);

```

- 7 Add the entry to a code replacement table with a call to the `addEntry` function.

```
addEntry(hTable, op_entry);
```

- 8 Save the table definition file. Use the name of the table definition function to name the file.

## Related Examples

- “Define Code Replacement Mappings” on page 25-31
- “Fixed-Point Operator Code Replacement” on page 25-135
- “Binary-Point-Only Scaling Code Replacement” on page 25-144
- “Slope Bias Scaling Code Replacement” on page 25-147
- “Net Slope Scaling Code Replacement” on page 25-150
- “Equal Slope and Zero Net Bias Code Replacement” on page 25-157
- “Shift Left Operations and Code Replacement” on page 25-165
- “Remap Operator Output to Function Input” on page 25-132
- “Customize Match and Replacement Process for Operators” on page 25-170
- “Develop a Code Replacement Library” on page 25-16
- “Quick Start Library Development” on page 25-17

## More About

- “What Is Code Replacement?” on page 47-2
- “What Is Code Replacement Customization?” on page 25-3
- “Code You Can Replace from MATLAB Code” on page 25-4
- “Code Replacement Match and Replacement Process” on page 25-14

- “Code Replacement Libraries” on page 47-14
- “Code Replacement Terminology” on page 47-16

## Shift Left Operations and Code Replacement

You can use code replacement entries to replace code that the code generator produces for shift (<<) operations.

This example creates a code replacement entry to replace shift left operations for `int16` data. The example defines the function mapping programmatically. Alternatively, you can use the Code Replacement Tool to define the same mapping.

- 1 Create a table definition file that contains a function definition. For example:

```
function hTable = crl_table_shift_left_int16
```

- 2 Within the function body, create the table by calling the function `RTW.Tf1Table`.

```
hTable = RTW.Tf1Table;
```

- 3 Create the entry for the operator mapping with a call to the `RTW.Tf1COperationEntry` function.

```
op_entry = RTW.Tf1COperationEntry;
```

- 4 Set operator entry parameters with a call to the `setTf1COperationEntryParameters` function. The parameters specify the type of operation as shift left and the name of the replacement function as `my_shift_left`.

```
setTf1COperationEntryParameters(op_entry, ...
    'Key', 'RTW_OP_SL', ...
    'Priority', 50, ...
    'ImplementationName', 'my_shift_left', ...
    'ImplementationHeaderFile', 'some_hdr.h', ...
    'ImplementationSourceFile', 'some_hdr.c');
```

- 5 Create the `int16` argument as conceptual argument `y1` and the implementation return value. There are multiple ways to set up the conceptual and implementation arguments. This example uses calls to the `getTf1ArgFromString` and `addConceptualArg` functions to create the conceptual argument and add it to the entry. Convenience method `setReturn` specifies the argument as the implementation return value.

```
arg = getTf1ArgFromString(hTable, 'y1', 'int16');
arg.IOType = 'RTW_IO_OUTPUT';
addConceptualArg(op_entry, arg);
op_entry.Implementation.setReturn(arg);
```

- 6 Create the `int16` argument as conceptual and implementation argument `u1`. This example uses calls to the `getTf1ArgFromString` and `addConceptualArg`

functions to create the conceptual argument and add it to the entry. Convenience method `addArgument` specifies the argument as an implementation input argument.

```
arg = getTf1ArgFromString(hTable, 'u1', 'int16');  
addConceptualArg(op_entry, arg);  
op_entry.Implementation.addArgument(arg);
```

- 7 Create the `int8` argument as conceptual and implementation argument `u2`. This example uses calls to the `getTf1ArgFromString` and `addConceptualArg` functions to create the conceptual argument and add it to the entry. This argument specifies the number of bits to shift the previous input argument. Because the argument type is not relevant, the example disables type checking by setting the `CheckType` property to `false`. Convenience method `addArgument` specifies the argument as implementation input argument.

```
arg = getTf1ArgFromString(hTable, 'u2', 'int8');  
arg.CheckType = false;  
addConceptualArg(op_entry, arg);  
op_entry.Implementation.addArgument(arg);
```

- The function `getTf1ArgFromString` is called to create an `int8` input argument. This argument is added to the operator entry both as the third conceptual argument and the second implementation input argument.
- Add the entry to a code replacement table with a call to the `addEntry` function.

```
addEntry(hTable, op_entry);
```

- Save the table definition file. Use the name of the table definition function to name the file.

You can use code replacement entries to replace code that the code generator produces for shift (`<<`) operations.

This example creates a code replacement entry to replace shift left operations for fixed-point data using a net slope. The example defines the function mapping programmatically. Alternatively, you can use the Code Replacement Tool to define the same mapping.

- 1 Create a table definition file that contains a function definition. For example:

```
function hTable = cr1_table_shift_left_fixpt_net_slope
```

- 2 Within the function body, create the table by calling the function `RTW.Tf1Table`.

```
hTable = RTW.Tf1Table;
```

- 3 Create the entry for the operator mapping with a call to the `RTW.Tf1COperationEntryGenerator_Netslope` function. This function provides access to the fixed-point parameters `NetSlopeAdjustmentFactor` and `NetFixedExponent`.

```
op_entry = RTW.Tf1COperationEntryGenerator_NetSlope;
```

- 4 Set operator entry parameters with a call to the `setTf1COperationEntryParameters` function. The parameters specify the type of operation as shift left, the saturation mode as saturate on integer overflow, rounding modes as toward negative infinity, and the name of the replacement function as `my_fxp_shift_left`. `NetSlopeAdjustmentFactor` and `NetFixedExponent` specify the F and E parts of the net slope  $F2^E$ .

```
InFL = 2;
InWL = 16;
InSgn = true;
OutFL = 4;
OutWL = 32;
OutSgn = true;
setTf1COperationEntryParameters(op_entry, ...
    'Key', 'RTW_OP_SL', ...
    'Priority', 50, ...
    'SaturationMode', 'RTW_SATURATE_ON_OVERFLOW', ...
    'RoundingModes', {'RTW_ROUND_FLOOR'}, ...
    'NetSlopeAdjustmentFactor', 1.0, ...
    'NetFixedExponent', (OutFL - InFL), ...
    'ImplementationName', 'my_fxp_shift_left', ...
    'ImplementationHeaderFile', 'some_hdr.h', ...
    'ImplementationSourceFile', 'some_hdr.c');
```

- 5 Create conceptual arguments `y1` and `u1`. There are multiple ways to set up the conceptual arguments. This example uses calls to the `createAndAddConceptualArg` function to create and add an argument with one function call. Each argument is specified as fixed-point and signed. Each argument specifies that code replacement request processing does *not* check for an exact match to the call-site slope and bias values.

```
createAndAddConceptualArg(op_entry, 'RTW.Tf1ArgNumeric', ...
    'Name', 'y1', ...
    'IOType', 'RTW_IO_OUTPUT', ...
    'CheckSlope', false, ...
    'CheckBias', false, ...
    'DataTypeMode', 'Fixed-point: binary point scaling', ...
    'IsSigned', OutSgn, ...
    'WordLength', OutWL, ...
    'FractionLength', OutFL);

createAndAddConceptualArg(op_entry, 'RTW.Tf1ArgNumeric', ...
    'Name', 'u1', ...
```

```

'IOType',      'RTW_IO_INPUT', ...
'CheckSlope', false, ...
'CheckBias',  false, ...
'DataTypeMode', 'Fixed-point: binary point scaling', ...
'IsSigned',   InSgn, ...
'WordLength', InWL, ...
'FractionLength', InFL);

```

- 6 Create the implementation arguments. There are multiple ways to set up the implementation arguments. This example uses calls to the `createAndSetCImplementationReturn` and `createAndAddImplementationArg` functions to create and add implementation arguments to the entry. Implementation arguments must describe fundamental numeric data types (not fixed-point data types).

```

createAndSetCImplementationReturn(op_entry, 'RTW.Tf1ArgNumeric', ...
    'Name',      'y1', ...
    'IOType',    'RTW_IO_OUTPUT', ...
    'IsSigned',  OutSgn, ...
    'WordLength', OutWL, ...
    'FractionLength', 0);

createAndAddImplementationArg(op_entry, 'RTW.Tf1ArgNumeric', ...
    'Name',      'u1', ...
    'IOType',    'RTW_IO_INPUT', ...
    'IsSigned',  InSgn, ...
    'WordLength', InWL, ...
    'FractionLength', 0);

```

- 7 Create the `int8` argument as conceptual and implementation argument `u2`. This example uses calls to the `getTf1ArgFromString` and `addConceptualArg` functions to create the conceptual argument and add it to the entry. This argument specifies the number of bits to shift the previous input argument. Because the argument type is not relevant, type checking is disabled by setting the `CheckType` property to `false`. Convenience method `addArgument` specifies the argument as implementation input argument.

```

arg = getTf1ArgFromString(hTable, 'u2', 'uint8');
arg.CheckType = false;
addConceptualArg(op_entry, arg);
op_entry.Implementation.addArgument(arg);

```

- 8 Add the entry to a code replacement table with a call to the `addEntry` function.

```
addEntry(hTable, op_entry);
```

- 9 Save the table definition file. Use the name of the table definition function to name the file.

## Related Examples

- “Define Code Replacement Mappings” on page 25-31
- “Fixed-Point Operator Code Replacement” on page 25-135
- “Binary-Point-Only Scaling Code Replacement” on page 25-144
- “Slope Bias Scaling Code Replacement” on page 25-147
- “Net Slope Scaling Code Replacement” on page 25-150
- “Equal Slope and Zero Net Bias Code Replacement” on page 25-157
- “Data Type Conversions (Casts) and Operator Code Replacement” on page 25-160
- “Remap Operator Output to Function Input” on page 25-132
- “Customize Match and Replacement Process for Operators” on page 25-170
- “Develop a Code Replacement Library” on page 25-16
- “Quick Start Library Development” on page 25-17

## More About

- “What Is Code Replacement?” on page 47-2
- “What Is Code Replacement Customization?” on page 25-3
- “Code You Can Replace from MATLAB Code” on page 25-4
- “Code Replacement Match and Replacement Process” on page 25-14
- “Code Replacement Libraries” on page 47-14
- “Code Replacement Terminology” on page 47-16

## Customize Match and Replacement Process for Operators

This example shows how to create custom code replacement entries that add logic to the code match and replacement process for a scalar operation. Custom entries specify additional match criteria or modify the replacement function signature to meet application needs.

For example:

- When fraction lengths are within a specific range, replace an operator with a fixed-point implementation function.
- When a match occurs, modify the replacement function signature based on compile-time information, such as passing fraction-length values into the function.

This example modifies a fixed-point addition replacement such that the implementation function passes in the fraction lengths of the input and output data types as arguments.

To create custom code replacement entries that add logic to the code replacement match and replacement process:

- 1 Create a class, for example `Tf1CustomOperationEntry`, that is derived from the base class `RTW.Tf1COperationEntryML`. The derived class defines a `do_match` method with the following signature:

```
function ent = do_match(hThis, ...
    hCSO, ...
    targetBitPerChar, ...
    targetBitPerShort, ...
    targetBitPerInt, ...
    targetBitPerLong, ...
    targetBitPerLongLong)
```

In the `do_match` signature:

- `ent` is the return handle, which is returned as empty (indicating that the match failed) or as a `Tf1COperationEntry` handle.
- `hThis` is the handle to the class instance.
- `hCSO` is a handle to an object that the code generator creates for querying the library for a replacement.
- Remaining arguments are the number of bits for various data types of the current target.



The `do_match` method adds match criteria that the base class does not provide. The method makes modifications to the implementation signature. In this case, the `do_match` method relies on the base class for checking word size and signedness. `do_match` must match only the number of conceptual arguments to the value 3 (two inputs and one output) and the bias for each argument to value 0. If the code generator finds a match, `do_match`:

- Sets the return handle.
- Removes slope and bias wild cards from the conceptual arguments (the match is for specific slope and bias values).
- Writes fraction-length values for the inputs and output into replacement function arguments 3, 4, and 5.

You can create and add three additional implementation function arguments for passing fraction lengths in the class definition or in each code replacement entry definition that instantiates this class. This example creates the arguments, adds them to a code replacement table definition file, and sets them to specific values in the class definition code.

```

classdef TflCustomOperationEntry < RTW.TflCOperationEntryML
    methods
        function ent = do_match(hThis, ...
            hCSO, ... %#ok
            targetBitPerChar, ... %#ok
            targetBitPerShort, ... %#ok
            targetBitPerInt, ... %#ok
            targetBitPerLong, ... %#ok
            targetBitPerLongLong) %#ok

        % DO_MATCH - Create a custom match function. The base class
        % checks the types of the arguments prior to calling this
        % method. This class will check additional data and can
        % modify the implementation function.

        % The base class checks word size and signedness. Slopes and biases
        % have been wildcarded, so the only additional checking to do is
        % to check that the biases are zero and that there are only three
        % conceptual arguments (one output, two inputs)

        ent = []; % default the return to empty, indicating the match failed

        if length(hCSO.ConceptualArgs) == 3 && ...
            hCSO.ConceptualArgs(1).Type.Bias == 0 && ...
            hCSO.ConceptualArgs(2).Type.Bias == 0 && ...
            hCSO.ConceptualArgs(3).Type.Bias == 0

            % Modify the default implementation. Since this is a

```

```

% generator entry, a concrete entry is created using this entry
% as a template. The type of entry being created is a standard
% TflCOperationEntry. Using the standard operation entry
% provides required information, and you do not need
% a custom match function.
ent = RTW.TflCOperationEntry(hThis);

% Since this entry is modifying the implementation for specific
% fraction-length values (arguments 3, 4, and 5), the conceptual argument
% wild cards must be removed (the wildcards were inherited from the
% generator when it was used as a template for the concrete entry).
% This concrete entry is now for a specific slope and bias.
% hCSO holds the slope and bias values (created by the code generator).
for idx=1:3
    ent.ConceptualArgs(idx).CheckSlope = true;
    ent.ConceptualArgs(idx).CheckBias = true;

    % Set the specific Slope and Biases
    ent.ConceptualArgs(idx).Type.Slope = hCSO.ConceptualArgs(idx).Type.Slope;
    ent.ConceptualArgs(idx).Type.Bias = 0;
end

% Set the fraction-length values in the implementation function.
ent.Implementation.Arguments(3).Value = ...
    -1.0*hCSO.ConceptualArgs(2).Type.FixedExponent;
ent.Implementation.Arguments(4).Value = ...
    -1.0*hCSO.ConceptualArgs(3).Type.FixedExponent;
ent.Implementation.Arguments(5).Value = ...
    -1.0*hCSO.ConceptualArgs(1).Type.FixedExponent;
end
end
end
end

```

Exit the class folder and return to the previous working folder.

- 2 Create and save the following code replacement table definition file, `crl_table_custom_sinfcn_double.m`. This file defines a code replacement table that contains a single operator entry, an entry generator for unsigned 32-bit fixed-point addition operations, with arbitrary fraction-length values on the inputs and the output. The table entry:

- Instantiates the derived class `TflCustomOperationEntry` from the previous step. If you want to replace word sizes and signedness attributes, you can use the same derived class, but not the same entry, because you cannot use a wild card with the `WordLength` and `IsSigned` arguments. For example, to support `uint8`, `int8`, `uint16`, `int16`, and `int32`, add five other distinct entries. To use different implementation functions for saturation and rounding modes other than overflow and round to floor, add entries for those match permutations.

- Sets operator entry parameters with the call to the `setTf1COperationEntryParameters` function.
- Calls the `createAndAddConceptualArg` function to create conceptual arguments `y1`, `u1`, and `u2`.
- Calls `createAndSetCImplementationReturn` and `createAndAddImplementationArg` to define the signature for the replacement function. Three of the calls to `createAndAddImplementationArg` create implementation arguments to hold the fraction-length values for the inputs and output. Alternatively, the entry can omit those argument definitions. Instead, the `do_match` method of the derived class `Tf1CustomOperationEntry` can create and add the three implementation arguments. When the number of additional implementation arguments required can vary based on compile-time information, use the alternative approach.
- Calls `addEntry` to add the entry to a code replacement table.

```
function hTable = crl_table_custom_add_ufix32

hTable = RTW.Tf1Table;

%% Add Tf1CustomOperationEntry
op_entry = Tf1CustomOperationEntry;

setTf1COperationEntryParameters(op_entry, ...
    'Key', 'RTW_OP_ADD', ...
    'Priority', 30, ...
    'SaturationMode', 'RTW_SATURATE_ON_OVERFLOW', ...
    'RoundingModes', {'RTW_ROUND_FLOOR'}, ...
    'ImplementationName', 'myFixptAdd', ...
    'ImplementationHeaderFile', 'myFixptAdd.h', ...
    'ImplementationSourceFile', 'myFixptAdd.c');

createAndAddConceptualArg(op_entry, 'RTW.Tf1ArgNumeric', ...
    'Name', 'y1', ...
    'IOType', 'RTW_IO_OUTPUT', ...
    'CheckSlope', false, ...
    'CheckBias', false, ...
    'DataType', 'Fixed', ...
    'Scaling', 'BinaryPoint', ...
    'IsSigned', false, ...
    'WordLength', 32);
```

```
createAndAddConceptualArg(op_entry, 'RTW.TflArgNumeric', ...
    'Name', 'u1', ...
    'IOType', 'RTW_IO_INPUT', ...
    'CheckSlope', false, ...
    'CheckBias', false, ...
    'DataType', 'Fixed', ...
    'Scaling', 'BinaryPoint', ...
    'IsSigned', false, ...
    'WordLength', 32);

createAndAddConceptualArg(op_entry, 'RTW.TflArgNumeric', ...
    'Name', 'u2', ...
    'IOType', 'RTW_IO_INPUT', ...
    'CheckSlope', false, ...
    'CheckBias', false, ...
    'DataType', 'Fixed', ...
    'Scaling', 'BinaryPoint', ...
    'IsSigned', false, ...
    'WordLength', 32);

% Specify replacement function signature
createAndSetCImplementationReturn(op_entry, 'RTW.TflArgNumeric', ...
    'Name', 'y1', ...
    'IOType', 'RTW_IO_OUTPUT', ...
    'IsSigned', false, ...
    'WordLength', 32, ...
    'FractionLength', 0);

createAndAddImplementationArg(op_entry, 'RTW.TflArgNumeric', ...
    'Name', 'u1', ...
    'IOType', 'RTW_IO_INPUT', ...
    'IsSigned', false, ...
    'WordLength', 32, ...
    'FractionLength', 0);

createAndAddImplementationArg(op_entry, 'RTW.TflArgNumeric', ...
    'Name', 'u2', ...
    'IOType', 'RTW_IO_INPUT', ...
    'IsSigned', false, ...
    'WordLength', 32, ...
    'FractionLength', 0);

% Add 3 fraction-length args. Actual values are set during code generation.
createAndAddImplementationArg(op_entry, 'RTW.TflArgNumericConstant', ...
```

```

        'Name',          'fl_in1', ...
        'IOType',       'RTW_IO_INPUT', ...
        'IsSigned',     false, ...
        'WordLength',  32, ...
        'FractionLength', 0, ...
        'Value',        0);

createAndAddImplementationArg(op_entry, 'RTW.Tf1ArgNumericConstant', ...
    'Name',          'fl_in2', ...
    'IOType',       'RTW_IO_INPUT', ...
    'IsSigned',     false, ...
    'WordLength',  32, ...
    'FractionLength', 0, ...
    'Value',        0);

createAndAddImplementationArg(op_entry, 'RTW.Tf1ArgNumericConstant', ...
    'Name',          'fl_out', ...
    'IOType',       'RTW_IO_INPUT', ...
    'IsSigned',     false, ...
    'WordLength',  32, ...
    'FractionLength', 0, ...
    'Value',        0);

addEntry(hTable, op_entry);

```

### 3 Check the validity of the operator entry.

- At the command prompt, invoke the table definition file.

```
tbl = crl_table_custom_sinfcn_double
```

- In the Code Replacement Viewer, view the table definition file.

```
crviewer(crl_table_custom_sinfcn_double)
```

## Related Examples

- “Customize Match and Replacement Process” on page 25-105
- “Define Code Replacement Mappings” on page 25-31
- “Register Code Replacement Mappings” on page 25-57
- “Review and Test Code Replacements” on page 25-67
- “Develop a Code Replacement Library” on page 25-16

## **More About**

- “Code Replacement Match and Replacement Process” on page 25-14
- “Code Replacement Terminology” on page 47-16

# Performance





# Optimizations for Generated Code in Simulink Coder

---

- “Optimization Parameters for Code Generation” on page 26-3
- “Design Tips for Optimizing Generated Code for Stateflow Objects” on page 26-6
- “Control Compiler Optimizations” on page 26-8
- “Optimization Tools and Techniques” on page 26-9
- “Control Memory Allocation for Time Counters” on page 26-11
- “Execution Profiling for Generated Code” on page 26-12
- “Optimize Generated Code by Combining Multiple for Constructs” on page 26-15
- “Subnormal Number Performance” on page 26-18
- “Remove Code From Floating-Point to Integer Conversions That Wraps Out-of-Range Values” on page 26-23
- “Remove Code That Maps NaN to Integer Zero” on page 26-26
- “Disable Nonfinite Checks or Inlining for Math Functions” on page 26-29
- “Minimize Computations and Storage for Intermediate Results at Block Outputs” on page 26-35
- “Inline Invariant Signals” on page 26-38
- “Inline Numeric Values of Block Parameters” on page 26-41
- “Configure Loop Unrolling Threshold” on page 26-47
- “Optimize Code Generated for Vector Assignments” on page 26-49
- “Generate Target Optimizations Within Algorithm Code” on page 26-53
- “Remove Code for Blocks That Have No Effect on Computational Results” on page 26-55
- “Eliminate Dead Code Paths in Generated Code” on page 26-58
- “Floating-Point Multiplication to Handle a Net Slope Correction” on page 26-61
- “Use Conditional Input Branch Execution” on page 26-64

- “Optimize Generated Code for Complex Signals” on page 26-69
- “Speed Up Linear Algebra in Code Generated from a MATLAB Function Block” on page 26-71
- “Optimize Memory Usage for Time Counters” on page 26-75
- “Minimize Memory Requirements During Code Generation” on page 26-80
- “Optimize Generated Code Using Boolean Data for Logical Signals” on page 26-81
- “Reduce Memory Usage for Boolean and State Configuration Variables” on page 26-84
- “Customize Stack Space Allocation” on page 26-85
- “Optimize Generated Code Using `memset` Function” on page 26-86
- “Vector Operation Optimization” on page 26-90
- “Enable and Reuse Local Block Outputs in Generated Code” on page 26-93

## Optimization Parameters for Code Generation

### In this section...

“Basic Optimization Parameters” on page 26-3

“Optimization Parameter Dependencies” on page 26-4

Many parameters, on the **All Parameters** tab and on the **Optimization and Optimization > Signals and Parameters** panes of the Configuration Parameters dialog box, depending on their setting, modify the generated code.

### Basic Optimization Parameters

Some basic optimization suggestions:

- Selecting the **Signal storage reuse** check box directs the code generator to store signals in reusable memory locations.

Disabling **Signal storage reuse** makes block outputs global and unique, which in many cases significantly increases RAM and ROM usage. For more information, see “Reduce Memory Requirements for Signals” on page 31-2.

- Setting **Default parameter behavior** to **Inlined** reduces global RAM usage, because parameters are not declared in the global parameters structure. You can override the inlining of individual parameters by creating parameter objects. For more information, see “Default parameter behavior” and “Control Parameter Representation and Declare Tunable Parameters in the Generated Code”.
- Selecting the **Enable local block outputs** check box declares block signals locally in functions instead of globally (when possible). You must select **Signal storage reuse** to enable **Enable local block outputs**.
- Selecting the **Reuse local block outputs** check box reduces stack size where signals are buffered in local variables. You must select **Signal storage reuse** to enable **Reuse local block outputs**.
- Selecting the **Inline invariant signals** check box directs the code generator to not generate code for blocks with a constant (invariant) sample time. You must set **Default parameter behavior** to **Inlined** to enable **Inline invariant signals**. For more information, see “Inline Invariant Signals” on page 26-38.
- Selecting the **Eliminate superfluous local variables (expression folding)** check box minimizes the computation of intermediate results at block outputs and the

storage of such results in temporary buffers or variables. For more information, see “Minimize Computations and Storage for Intermediate Results at Block Outputs” on page 26-35.

- Set a **Loop unrolling threshold**. The loop unrolling threshold determines when a wide signal should be wrapped into a `for` loop or when it should be generated as a separate statement for each element of the signal. For more information, see “Configure Loop Unrolling Threshold” on page 26-47.
- Specifying a **Maximum stack size (bytes)** provides control of the number of local and global variables, which determine the amount of stack space required for an application. For more information, see “Customize Stack Space Allocation” on page 26-85.
- If your target environment supports the `memcpy` function, and if your model uses signal vector assignments to move large amounts of data, selecting the **Use memcpy for vector assignment** check box can improve the execution speed of vector assignments by replacing `for` loops with `memcpy` function calls in the generated code. Set a **Memcpy threshold (bytes)**. For more information, see “Optimize Code Generated for Vector Assignments” on page 26-49.

For more information on these parameters, see

- “Optimization Pane: General”
- “Optimization Pane: Signals and Parameters”

## Optimization Parameter Dependencies

Several parameters available on the **Optimization** panes and **All Parameters** tab are dependent on another configuration parameter setting. The following tables summarize the dependencies.

Optimization > General Pane	Dependency Details
<b>Remove root level I/O zero initialization</b>	ERT targets only
<b>Remove internal data zero initialization</b>	ERT targets only
<b>Optimize initialization code for model reference</b>	ERT targets only

Optimization > Signals and Parameters pane	Dependency Details
Inline invariant signals	Enabled when you set <b>Default parameter behavior</b> to <b>Inlined</b>
Simplify array indexing	ERT targets only
Memcpy threshold (bytes)	Enabled by <b>Use memcpy for vector assignment</b>
Pack Boolean data into bitfields	ERT targets only
Bitfield declarator type specifier	<ul style="list-style-type: none"> <li>Enabled by <b>Pack Boolean data into bitfields</b></li> <li>ERT targets only</li> </ul>
Pass reusable subsystem output as	ERT targets only
Parameter structure	<ul style="list-style-type: none"> <li>Enabled when you set <b>Default parameter behavior</b> to <b>Inlined</b></li> <li>ERT targets only</li> </ul>

All Parameters Tab	Dependency Details
Remove code from floating-point to integer conversions with saturation that maps NaN to zero	For ERT targets, enabled by <b>Support floating-point numbers</b> and <b>Support non-finite numbers</b> in the <b>Code Generation &gt; Interface</b> pane
Remove code that protects against division arithmetic exceptions	ERT targets only
Enable local block outputs	Enabled by <b>Signal storage reuse</b>
Reuse local block outputs	Enabled by <b>Signal storage reuse</b>
Eliminate superfluous local variables (expression folding)	Enabled by <b>Signal storage reuse</b>

For more information on these parameters, see “Optimization Pane: General” and “Optimization Pane: Signals and Parameters”.

## Design Tips for Optimizing Generated Code for Stateflow Objects

### In this section...

“Do Not Access Machine-Parented Data In a Graphical Function” on page 26-6

“Be Explicit About the Inline Option of a Graphical Function” on page 26-6

“Avoid Using Multiple Edge-Triggered Events in Stateflow Charts” on page 26-6

“Combine Input Signals of a Chart Into a Single Bus Object” on page 26-6

“Use Charts with Discrete Sample Times” on page 26-7

### Do Not Access Machine-Parented Data In a Graphical Function

This restriction prevents long parameter lists from appearing in the code generated for a graphical function. You can access local data that resides in the same chart as the graphical function.

For more information, see “Reuse Logic Patterns Using Graphical Functions”.

### Be Explicit About the Inline Option of a Graphical Function

When you use a graphical function in a Stateflow chart, select **Inline** or **Function** for the property **Function Inline Option**. Otherwise, the code generated for a graphical function may not appear as you want.

For more information, see “Specify Graphical Function Properties”.

### Avoid Using Multiple Edge-Triggered Events in Stateflow Charts

If you use more than one edge trigger, you generate multiple code statements to handle rising or falling edge detections. If multiple triggers are required, use function-call events instead.

For more information, see “How Events Work in Stateflow Charts”.

### Combine Input Signals of a Chart Into a Single Bus Object

When you use a bus object, you reduce the number of parameters in the parameter list of a generated function. This guideline also applies to output signals of a chart.

For more information, see “Define Stateflow Structures”.

## **Use Charts with Discrete Sample Times**

The code generated for discrete charts that are not inside a triggered or enabled subsystem uses integer counters to track time instead of Simulink provided time. This allows for more efficient code generation in terms of overhead and memory, as well as enabling this code for use in Software-in-the-Loop(SIL) and Processor-in-the-Loop(PIL) simulation modes.

## Control Compiler Optimizations

To control compiler optimizations for your Simulink Coder makefile build at the Simulink GUI level, use the **Compiler optimization level** parameter. The **Compiler optimization level** parameter provides

- Target-independent values **Optimizations on (faster runs)** and **Optimizations off (faster builds)**, which allow you to easily toggle compiler optimizations on and off during code development
- The value **Custom** for entering custom compiler optimization flags at the Simulink GUI level, rather than editing compiler flags into template makefiles (TMFs) or supplying compiler flags to Simulink Coder make commands

The default setting is **Optimizations off (faster builds)**. Selecting the value **Custom** enables the **Custom compiler optimization flags** field, in which you can enter custom compiler optimization flags (for example, `-O2`).

---

**Note:** If you specify compiler options for your Simulink Coder makefile build using `OPT_OPTS`, `MEX_OPTS` (except `MEX_OPTS=" -v"`), or `MEX_OPT_FILE`, the value of **Compiler optimization level** is ignored and a warning is issued about the ignored parameter.

---

For more information about the **Compiler optimization level** parameter and its values, see “Compiler optimization level” and “Custom compiler optimization flags”.



## Optimization Tools and Techniques

Using the Model Advisor, you can analyze a model for code generation and identify aspects of your model that impede production deployment or limit code efficiency. You can select from a set of checks to run on a model's current configuration. The Model Advisor analyzes the model and generates check results providing suggestions for improvements in each area. Most Model Advisor diagnostics do not require the model to be in a compiled state; those that do are noted.

Before running the Model Advisor, select the target you plan to use for code generation. The Model Advisor works most effectively with ERT and ERT-based targets (targets based on the Embedded Coder software).

Use the following examples to investigate optimizing models for code generation using the Model Advisor:

- `rtwdemo_advisor1`
- `rtwdemo_advisor2`
- `rtwdemo_advisor3`

---

**Note:** Example models `rtwdemo_advisor2` and `rtwdemo_advisor3` require Stateflow and Fixed-Point Designer software.

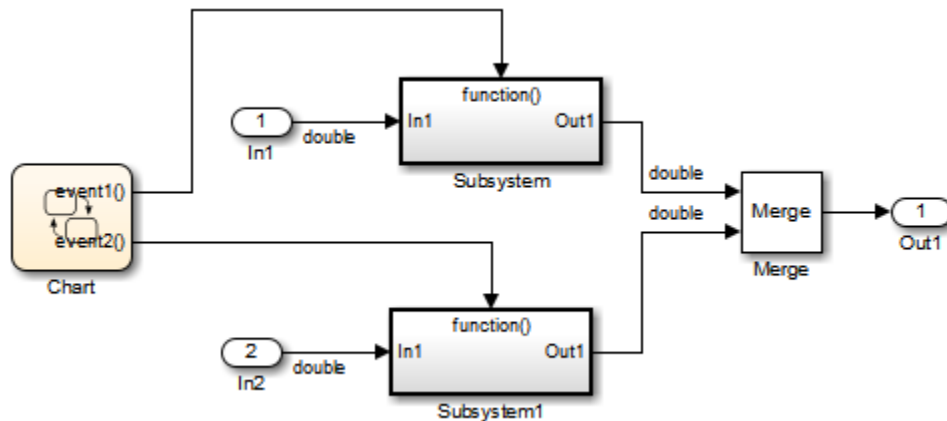
---

For more information on using the Model Advisor, see “Run Model Checks” in the Simulink documentation. For more information about the checks, see “Simulink Coder Checks” in the Simulink Coder documentation.

In addition to analyzing models with Model Advisor, you can also do the following:

- Use the Upgrade Advisor to upgrade older models (saved by prior versions or the current version) to use current features. For details, see “Model Upgrades”.
- Before building, set optimization flags for the compiler (for example, `-O2` for `gcc`, `-O1` for the Microsoft Visual C++ compiler).
- Directly inline C/C++ S-functions into the generated code by writing a TLC file for the S-function. For more information, see “Accelerate Simulation, Reuse Code, or Protect Intellectual Property by Using S-Function Target” and the Target Language Compiler documentation.

- Use a Simulink data type other than `double` when possible. The available data types are `Boolean`, signed and unsigned 8-, 16-, and 32-bit integers, and 32- and 64-bit floats (a `double` is a 64-bit float). For more information, see “About Data Types in Simulink”. For a block-by-block summary, click `showblockdatatypeetable` or type the command in the Command Window.
- Remove repeated values in lookup table data.
- Use the Merge block to merge the output of signals wherever possible. This block is particularly helpful when you need to control the execution of function-call subsystems with a Stateflow chart. The following model shows an example of how to use the Merge block.



When more than one signal connected to a Merge block has a non-`Auto` storage class, all non-`Auto` signals connected to that block must *be identically labeled* and *have the same storage class*. When Merge blocks connect directly to one another, these rules apply to the signals connected to any of the Merge blocks in the group.

## Control Memory Allocation for Time Counters

The **Application lifespan (days)** parameter lets you control the allocation of memory for absolute and elapsed time counters. Such counters exist in the code for blocks that use absolute or elapsed time. For a list of such blocks, see “Absolute Time Limitations”.

The size of the time counters in generated code is 8, 16, 32, or 64 bits. The size is set automatically to the minimum that can accommodate the duration value specified by **Application lifespan (days)** given the step size specified in the Configuration Parameters **Solver** pane. To minimize the amount of RAM used by time counters, specify the smallest lifespan possible and the largest step size possible.

An application runs to its specified lifespan. It may be able to run longer. For example, running a model with a step size of one millisecond (0.001 seconds) for one day requires a 32-bit timer, which could continue running without overflow for 49 days more.

To maximize application lifespan, specify **Application lifespan (days)** as `inf`. This value allocates 64 bits (two `uint32` words) for each timer. Using 64 bits to store timing data would allow a model with a step size of 0.001 microsecond (10E-09 seconds) to run for more than 500 years, which would rarely be required. 64-bit counters do not violate the usual Simulink Coder length limitation of 32 bits because the value of a time counter does not provide the value of a signal, state, or parameter.

For information about the allocation and operation of absolute and elapsed time counters, see “Absolute and Elapsed Time Computation”. For information about asynchronous timing, see “Use Timers in Asynchronous Tasks”. For information about the **Application lifespan (days)** parameter, see “Application lifespan (days)” in the Simulink documentation.

## Execution Profiling for Generated Code

Use code execution profiling to determine:

- Whether the generated code meets real-time requirements of your target hardware.
- Code sections that require performance improvements.

The following tasks represent a general workflow that uses code execution profiling:

- 1 With the Simulink model, design and optimize your algorithm.
- 2 Configure the model for code execution profiling, and generate code.
- 3 Execute generated code on target.
- 4 Analyze performance through code execution profiling plots and reports. For example, check that the algorithm code satisfies real-time requirements:
  - If the algorithm code easily meets the requirements, consider enhancing your algorithm to exploit available processing power.
  - If the code cannot be executed in real time, look for ways to reduce execution time.

Identify the tasks that require the most time. For these tasks, investigate whether trade-offs between functionality and speed are possible.

If your target is a multicore processor, distribute the execution of algorithm code across available cores.

- 5 If required, refine the model and return to step 2.

To find information about code execution profiling with Simulink products, use the following table.

Target	Execution Feature	Type of Profiling	Relevant Products	See
Host computer	Model configured for concurrent execution	Execution time	Simulink Coder	<ul style="list-style-type: none"> <li>• “Optimize and Deploy on a Multicore Target”</li> <li>• “Concurrent Execution Models”</li> </ul>
Host computer	Software-in-the-loop (SIL)	Execution time	Embedded Coder	<ul style="list-style-type: none"> <li>• “Code Execution Profiling for SIL and PIL” on page 28-2</li> </ul>

Target	Execution Feature	Type of Profiling	Relevant Products	See
				<ul style="list-style-type: none"> <li>• “Configure Code Execution Profiling for SIL and PIL” on page 28-4</li> <li>• “Execution Profiling for Atomic Subsystems and Model Reference Hierarchies” on page 28-6</li> <li>• “View and Compare Code Execution Times” on page 28-8</li> <li>• “Analyze Code Execution Data” on page 28-15</li> </ul>
<p>Embedded hardware or instruction set simulator</p>	<p>Processor-in-the-loop (PIL)</p>	<p>Execution time</p>	<p>Embedded Coder</p>	<ul style="list-style-type: none"> <li>• “Code Execution Profiling for SIL and PIL” on page 28-2</li> <li>• “Configure Code Execution Profiling for SIL and PIL” on page 28-4</li> <li>• “Execution Profiling for Atomic Subsystems and Model Reference Hierarchies” on page 28-6</li> <li>• “View and Compare Code Execution Times” on page 28-8</li> <li>• “Analyze Code Execution Data” on page 28-15</li> </ul>
<p>Target support packages</p>	<p>Standalone execution, PIL</p>	<p>Execution time</p>	<p>Embedded Coder</p>	<ul style="list-style-type: none"> <li>• “Code Execution Profiling for IDE and Toolchain Targets” on page 42-19</li> <li>• “Perform Execution Time Profiling for IDE and Toolchain Targets” on page 42-22</li> </ul>

Target	Execution Feature	Type of Profiling	Relevant Products	See
Target support packages	Standalone execution	Stack	Embedded Coder	<ul style="list-style-type: none"> <li>• “Code Execution Profiling for IDE and Toolchain Targets” on page 42-19</li> <li>• “Perform Stack Profiling with IDE and Toolchain Targets” on page 42-27</li> </ul>
Simulink Real-Time™	Hardware-in-the-loop (HIL)	Execution time	Simulink Coder, Simulink Real-Time	<ul style="list-style-type: none"> <li>• “Execution Profiling for Real-Time Applications”</li> <li>• “Configure Real-Time Application for Profiling”</li> <li>• “Generate Real-Time Application Execution Profile”</li> </ul>
Simulink Real-Time	Model configured for concurrent execution, HIL	Execution time	Simulink Coder, Simulink Real-Time	<ul style="list-style-type: none"> <li>• “Execution Profiling for Real-Time Applications”</li> <li>• “Concurrent Execution on Simulink® Real-Time™”</li> </ul>

## Optimize Generated Code by Combining Multiple for Constructs

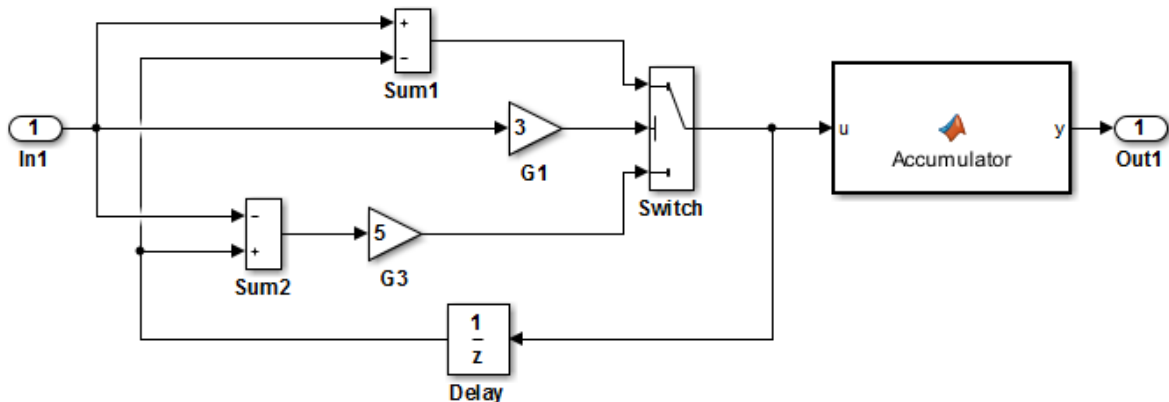
This example shows how the code generator combines for loops. The generated code uses for constructs to represent a variety of modeling patterns, such as a matrix signal or Iterator blocks. Using data dependency analysis, the code generator combines for constructs to reduce static code size and runtime branching.

The benefits of optimizing for loops are:

- Reducing ROM and RAM consumption.
- Increasing execution speed.

### for Loop Modeling Patterns

In the model, `rtwdemo_forloop`, the Switch block and MATLAB Function block represent for constructs. In the In1 Block Parameters dialog box, the **Port dimensions** parameter is set to 10.



This model shows how Simulink Coder optimizes for-loops by combining multiple blocks into the same for-loop, improving code efficiency and readability. The for-loop fusion optimization complements expression folding. To see the vector widths in this model, select Edit > Update Diagram.

Generate Code Using  
Simulink Coder  
(double-click)

Generate Code Using  
Embedded Coder  
(double-click)

Copyright 1994-2012 The MathWorks, Inc.

## Generate Code

In the model, there are no data dependencies across the `for` loop iterations. Therefore, the code generator combines all `for` loops into one loop. Build the model and view the generated code.

```
### Starting build procedure for model: rtwdemo_forloop
### Successful completion of build procedure for model: rtwdemo_forloop
```

The generated file, `rtwdemo_forloop.c`, contains the code for the single `for` loop.

```
/* Model step function */
void rtwdemo_forloop_step(void)
{
    int32_T k;

    /* MATLAB Function: '<Root>/Accum' */
    /* MATLAB Function 'Accum': '<S1>:1' */
    /* '<S1>:1:3' */
    /* '<S1>:1:4' */
    rtwdemo_forloop_Y.Out1 = 0.0;

    /* '<S1>:1:5' */
    for (k = 0; k < 10; k++) {
        /* Switch: '<Root>/Switch' incorporates:
         * Gain: '<Root>/G1'
         * Gain: '<Root>/G3'
         * Inport: '<Root>/In1'
         * Sum: '<Root>/Sum1'
         * Sum: '<Root>/Sum2'
         * UnitDelay: '<Root>/Delay'
         */
        if (3.0 * rtwdemo_forloop_U.In1[k] >= 0.0) {
            rtwdemo_forloop_DW.Delay_DSTATE[k] = rtwdemo_forloop_U.In1[k] -
                rtwdemo_forloop_DW.Delay_DSTATE[k];
        } else {
            rtwdemo_forloop_DW.Delay_DSTATE[k] = (rtwdemo_forloop_DW.Delay_DSTATE[k] -
                rtwdemo_forloop_U.In1[k]) * 5.0;
        }

        /* End of Switch: '<Root>/Switch' */

        /* MATLAB Function: '<Root>/Accum' */
        /* '<S1>:1:5' */
    }
}
```



```
/* '<S1>:1:6' */
rtwdemo_forloop_Y.Out1 += (1.0 + (real_T)k) +
    rtwdemo_forloop_DW.Delay_DSTATE[k];
/* '<S1>:1:5' */
}
}
```

Close the model.

## Subnormal Number Performance

Subnormal numbers, formerly known as denormal numbers in floating-point literature, fill the underflow gap around zero in floating-point arithmetic. Subnormal values are a special category of floating-point values that are too close to 0.0 to be represented as a normalized value. The leading significand (mantissa) of a subnormal number is zero. When adding and subtracting floating-point numbers, subnormal numbers prevent underflow.

Using subnormal numbers provides precision beyond the normal representation by using leading zeros in the significand to represent smaller values after the representation reaches the minimum exponent. As the value approaches 0.0, you trade off precision for extended range. Subnormal numbers are useful if your application requires extra range.

However, in a real-time system, using subnormal numbers can dramatically increase execution latency, resulting in excessive design margins and real-time overruns. If the simulation or generated code performs calculations that produce or consume subnormal numbers, the execution of these calculations can be up to 50 times slower than similar calculations on normal numbers. The actual simulation or code execution time for subnormal number calculations depends on your computer operating environment. Typically, for desktop processors, the execution time for subnormal number calculations is five times slower than similar calculations on normal numbers.

To minimize the possibility of execution slowdowns or overruns due to subnormal number calculation latency, do one of the following:

- In your model, manually flush to zero any incoming or computed subnormal values at inputs and key operations, such as washouts and filters. For an example, see “Flush Subnormal Numbers to Zero” on page 26-20.

To detect a subnormal value for a single precision, 32-bit floating-point number:

- 1 Find the smallest normalized number on a MATLAB host. In the Command Window, type:

```
>> SmallestNormalSingle = realmin('single')  
In the C language, FLT_MIN, defined in float.h, is equivalent to  
realmin('single').
```

- 2 Look for values in range:

```
0 < fabsf(x) < SmallestNormalSingle
```

To detect a subnormal value for a double precision, 64-bit floating-point number:

- 1 Find the smallest normalized number on a MATLAB host. In the Command Window, type:

```
>> SmallestNormalDouble = realmin('double')
```

In the C language, `DBL_MIN`, defined in `float.h`, is equivalent to `realmin('double')`.

- 2 To detect a subnormal value, look for values in this range:

$$0 < \text{fabs}(x) < \text{SmallestNormalDouble}$$

- On your processor, set flush-to-zero mode or, with your compiler, specify an option to disable subnormal numbers. Flush-to-zero modes treat a subnormal number as 0 when it is an input to a floating-point operation. Underflow exceptions do not occur in flush-to-zero mode.

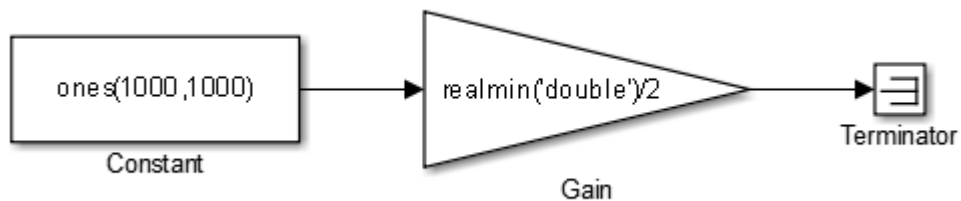
For example, in Intel® processors, the flush-to-zero (FTZ) and denormals-are-zero (DAZ) flags in the MXCSR register control floating-point calculations. For the gcc compiler on Linux, `-ffast-math` sets abrupt underflow (FTZ), flush-to-zero, while `-O3 -ffast-math` reverts to gradual underflow, using subnormal numbers.

For more information, see the IEEE® Standard 754, *IEEE Standard for Floating-Point Arithmetic*.

## Simulation Time With and Without Subnormal Numbers

This model shows how using subnormal numbers increases simulation time by ~5 times.

- 1 Open the model `ex_subnormal`. The Gain is set to subnormal value `realmin('double')/2`.



- 2 To run a simulation, in the Command Window, type `for k=1:5, tic; sim('ex_subnormal'); toc,end`. Observe the elapsed times for simulation using subnormals, similar to the following:

```
>> for k=1:5, tic; sim('ex_subnormal'); toc,end
Elapsed time is 9.909326 seconds.
Elapsed time is 9.617966 seconds.
Elapsed time is 9.797183 seconds.
Elapsed time is 9.702397 seconds.
Elapsed time is 9.893946 seconds.
```

- 3 Set the Gain to a number, 2, that is not a subnormal value:

```
>> set_param('ex_subnormal/Gain', 'Gain', '2');
```

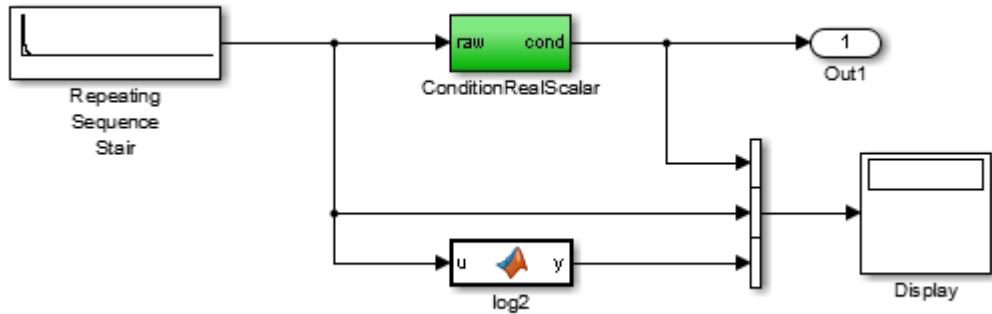
- 4 To run a simulation, in the Command Window, type `for k=1:5, tic; sim('ex_subnormal'); toc,end`. Observe elapsed times for simulations that do not use subnormal values, similar to the following:

```
>> for k=1:5, tic; sim('ex_subnormal'); toc,end
Elapsed time is 2.045123 seconds.
Elapsed time is 1.796598 seconds.
Elapsed time is 1.758458 seconds.
Elapsed time is 1.721721 seconds.
Elapsed time is 1.780569 seconds.
```

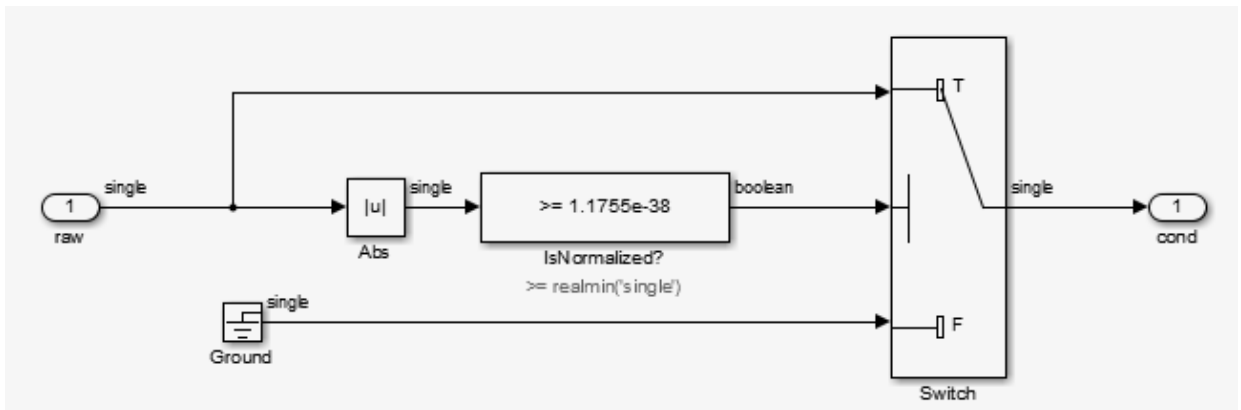
## Flush Subnormal Numbers to Zero

This example shows how to flush single precision subnormal numbers to zero.

- 1 Open the model `ex_flush_to_zero`:

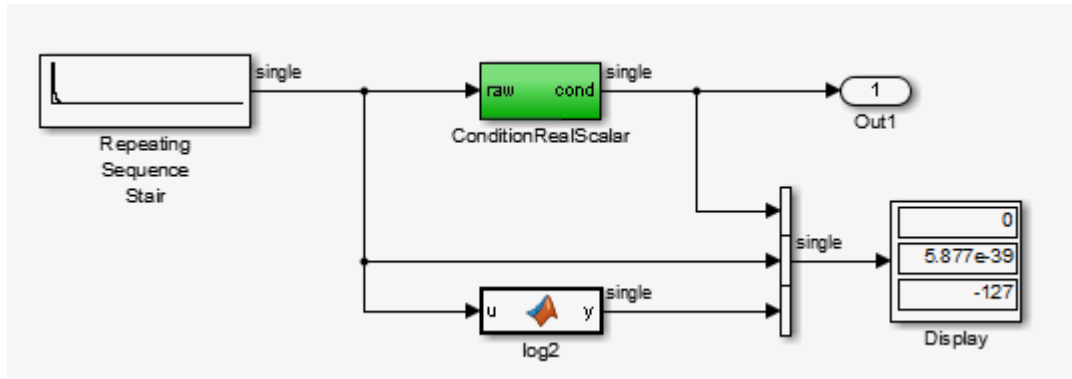


- Repeating Sequence Stair generates a sequence of numbers from two raised to the power of 0 through two raised to the power of -165. The sequence approaches zero.
- ConditionRealScalar flushes subnormal single precision values that are less than `realmin('single')` to zero.



- MATLAB function block `log2` generates the base 2 logarithm of the Repeating Sequence Stair output. Specifically, `log2` generates the numbers 0 through -165.
- 2** On the **Simulation > Stepping Options** pane:
- Select **Enable stepping back**.

- Select **Pause simulation when time reaches** and enter 121.
- 3 In the model window, run the simulation. The simulation pauses at T=121. The displayed values:
- ConditionRealScalar output approaches zero.
  - Repeating Sequence Stair output approaches zero.
- 4 Step the simulation forward to T=127. ConditionRealScalar flushes the subnormal value output from Repeating Sequence Stair to zero.



- 5 Continue stepping the simulation forward. ConditionRealScalar flushes the subnormal single precision values output from Repeating Sequence Stair to zero. When T=150, the output of Repeating Sequence Stair is itself zero.

## Remove Code From Floating-Point to Integer Conversions That Wraps Out-of-Range Values

### In this section...

“Example Model” on page 26-23

“Generate Code Without Optimization” on page 26-24

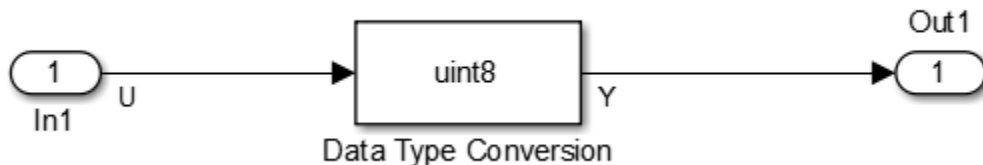
“Generate Code with Optimization” on page 26-25

This example shows how to remove code for out-of-range floating-point to integer conversions. Without this code, there might be a mismatch between simulation and code generation results. Standard C does not define the behavior of out-of-range floating-point to integer conversions, while these conversions are well-defined during simulation. In Standard C and during simulation, floating-point to integer conversions are well-defined for input values in the range of the output type.

If the input values in your application are in the range of the output type, remove code for out-of-range floating-point to integer conversions. Removing this code reduces the size and increases the speed of the generated code.

### Example Model

In this model, a **Data Type Conversion** block converts an input signal from a **double** to a **uint8**. A **uint8** can support values from 0 to 255. If the input signal has a value outside of this range, an out-of-range conversion occurs. In this example, the model is named `conversion_ex`.



- 1 Use Inport, Outport, and Data Type Conversion blocks to create the example model.

- 2 Open the Inport Block Parameters dialog box and select the **Signal Attributes** tab. For the **Data Type** parameter, select **double**.
- 3 Open the Data Type Conversion dialog box. For the **Output data type** parameter, select **uint8**.
- 4 For the signal feeding into the **Data Type Conversion** block, open the Signal Properties dialog box. Enter the name **U**. On the **Code Generation** tab, for the **Storage Class** parameter, select **ImportedExtern**.
- 5 For the signal leaving the **Data Type Conversion** block, open the Signal Properties dialog box. Enter the name **Y**. On the **Code Generation** tab, for the **Storage Class** parameter, select **ImportedExtern**.

## Generate Code Without Optimization

- 1 Open the Model Configuration Parameters dialog box. On the **Solver** pane, for the **Type** parameter, select **Fixed-step**.
- 2 On the **Code Generation > Report** pane, select **Create code generation report**.
- 3 On the **Code Generation** pane, select **Generate code only**, and then, in the model window, press **Ctrl+B**. When code generation is complete, an HTML code generation report opens.
- 4 In the Code Generation report, select the `conversion_ex.c` file and view the model step function. The code generator applies the `fmod` function to handle out-of-range results.

```
/* Model step function */
void conversion_ex_step(void)
{
    real_T tmp;

    /* DataTypeConversion: '<Root>/Data Type Conversion' incorporates:
     * Inport: '<>/In1'
     */
    tmp = floor(U);
    if (rtIsNaN(tmp) || rtIsInf(tmp)) {
        tmp = 0.0;
    } else {
        tmp = fmod(tmp, 256.0);
    }

    Y = (uint8_T)(tmp < 0.0 ? (int32_T)(uint8_T)-(int8_T)(uint8_T)-tmp : (int32_T)
        (uint8_T)tmp);
}
```



## Generate Code with Optimization

- 1 Open the Configuration Parameters dialog box. On the **Optimization** pane, select **Remove code from floating-point to integer conversions that wraps out-of-range values**. Generate code.
- 2 In the code generation report, select the `conversion_ex.c` file and view the model step function. The generated code does not contain code that protects against out-of-range values.

```
/* Model step function */
void conversion_ex_step(void)
{
    /* DataTypeConversion: '<Root>/Data Type Conversion' incorporates:
     * Inport: '<Root>/In1'
     */
    Y = (uint8_T)U;
}
```

The generated code is more efficient without this protective code, but it is possible that the execution of generated code does not produce the same results as simulation for values not in the range of 0 to 255.

## Remove Code That Maps NaN to Integer Zero

### In this section...

“Example Model” on page 26-26

“Generate Code” on page 26-27

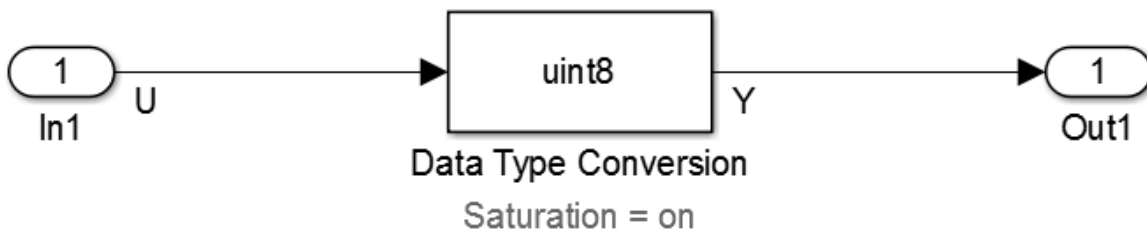
“Generate Code with Optimization” on page 26-28

This example shows how to remove code that maps NaN to integer zero. For floating-point to integer conversions involving saturation, Simulink converts NaN to integer zero during simulation. If your model contains an input value of NaN, you can specify that the code generator produce code that maps NaN to zero. Without this code, there is a mismatch between simulation and code generation results because in Standard C, every condition involving NaN evaluates to false.

If there are no input values of NaN in your application, you can remove code that maps NaN to integer zero. Removing this code reduces the size and increases the speed of the generated code.

### Example Model

In this model, a Data Type Conversion block converts an input signal from a double to a uint8. In this example, the model is named `conversion_ex`.



- 1 Use Inport, Outport, and Data Type Conversion blocks to create the example model.
- 2 Open the Inport Block Parameters dialog box and click the **Signal Attributes** tab. For the **Data Type** parameter, select **double**.

- 3 Open the Data Type Conversion dialog box. For the **Output data type** parameter, select `uint8`.
- 4 Select **Saturate on integer overflow**. Selecting this parameter specifies that an out-of-range signal value equals either the minimum or maximum value that the data type can represent.
- 5 For the signal feeding into the Data Type Conversion block, open the Signal Properties dialog box. Enter a name of U. On the **Code Generation** tab, for the **Storage Class** parameter, select `ImportedExtern`.
- 6 For the signal leaving the Data Type Conversion block, open the Signal Properties dialog box. Enter a name of Y. On the **Code Generation** tab, for the **Storage Class** parameter, select `ImportedExtern`.

## Generate Code

- 1 Open the Model Configuration Parameters dialog box. On the **Solver** pane, for the **Type** parameter, select `Fixed-step`.
- 2 Open the Model Configuration Parameters dialog box. On the **All Parameters** tab, clear **Remove code from floating-point to integer conversions with saturation that maps NaN to zero**.
- 3 On the **Code Generation > Report** pane, select **Create code generation report**.
- 4 On the **Code Generation** pane, select **Generate code only** and then, in the model window, press **Ctrl+B**. When code generation is complete, an HTML code generation report opens.
- 5 In the Code Generation report, select the `nan_int_ex.c` file and view the model step function. For an input value of NaN, there is agreement between the generated code and simulation because NaN maps to integer zero.

```

/* Model step function */
void nan_int_ex_step(void)
{
    /* DataTypeConversion: '<Root>/Data Type Conversion' incorporates:
     * Inport: '<Root>/In1'
     */
    if (U < 256.0) {
        if (U >= 0.0) {
            Y = (uint8_T)U;
        } else {
            Y = 0U;
        }
    }
}

```

```
    }  
  } else if (U >= 256.0) {  
    Y = MAX_uint8_T;  
  } else {  
    Y = 0U;  
  }  
}
```

## Generate Code with Optimization

- 1 Open the Configuration Parameters dialog box. On the **All Parameters** tab, select **Remove code from floating-point to integer conversions that wraps out-of-range values**. Generate code.
- 2 In the Code Generation report, select the `nan_int_ex.c` section and view the model step function. The generated code maps NaN to 255 and not integer zero. The generated code is more efficient without the extra code that maps NaN to integer zero, but the execution of the generated code does not produce the same results as simulation for NaN values.

```
/* Model step function */  
void nan_int_ex_step(void)  
{  
  /* DataTypeConversion: '<Root>/Data Type Conversion' incorporates:  
   * Inport: '<Root>/In1'  
   */  
  /*  
  if (U < 256.0) {  
    if (U >= 0.0) {  
      Y = (uint8_T)U;  
    } else {  
      Y = 0U;  
    }  
  } else {  
    Y = MAX_uint8_T;  
  }  
  */  
  /* End of DataTypeConversion: '<Root>/Data Type Conversion' */  
}
```

## Disable Nonfinite Checks or Inlining for Math Functions

When Simulink Coder software generates code for math functions,

- If the model option **Support non-finite numbers** is selected, nonfinite number checking is generated uniformly for math functions, without the ability to specify that nonfinite number checking should be generated for some functions, but not for others.
- By default, inlining is applied uniformly for math functions, without the ability to specify that inlining should be generated for some functions, while invocations should be generated for others.

You can use code replacement library (CRL) customization entries to:

- Selectively disable nonfinite checks for math functions. This can improve the execution speed of the generated code.
- Selectively disable inlining of math functions. This can increase code readability and decrease code size.

The functions for which these customizations are supported include the following:

- Floating-point only: `atan2`, `copysign`, `fix`, `hypot`, `log`, `log10`, `round`, `sincos`, and `sqrt`
- Floating-point and integer: `abs`, `max`, `min`, `mod`, `rem`, `saturate`, and `sign`

The general workflow for disabling nonfinite number checking and/or inlining is as follows:

- 1 If you can disable nonfinite number checking for a particular math function, or if you want to disable inlining for a particular math function and instead generate a function invocation, you can copy the following MATLAB function code into a MATLAB file with an `.m` file name extension, for example, `crl_table_customization.m`.

```
function hTable = crl_table_customization

% Create an instance of the Code Replacement Library table for controlling
% function intrinsic inlining and nonfinite support

hTable = RTW.Tf1Table;

% Inline - true (if function needs to be inline)
%           false (if function should not be inlined)
% SNF (support nonfinite) - ENABLE (if non-finite checking should be performed)
%                           DISABLE (if non-finite checking should NOT be performed)
%                           UNSPECIFIED (Default behavior)
```

```

% registerCustomizationEntry(hTable, ...
%     Priority, numInputs, key, inType, outType, Inline, SNF);

registerCustomizationEntry(hTable, ...
    100, 2, 'atan2', 'double', 'double', false, 'UNSPECIFIED');
registerCustomizationEntry(hTable, ...
    100, 2, 'atan2', 'single', 'single', false, 'UNSPECIFIED');

registerCustomizationEntry(hTable, ...
    100, 1, 'sincos', 'double', 'double', false, 'UNSPECIFIED');
registerCustomizationEntry(hTable, ...
    100, 1, 'sincos', 'single', 'single', false, 'UNSPECIFIED');

registerCustomizationEntry(hTable, ...
    100, 1, 'abs', 'double', 'double', true, 'UNSPECIFIED');
registerCustomizationEntry(hTable, ...
    100, 1, 'abs', 'single', 'single', true, 'UNSPECIFIED');

registerCustomizationEntry(hTable, ...
    100, 1, 'abs', 'int32', 'int32', true, 'UNSPECIFIED');
registerCustomizationEntry(hTable, ...
    100, 1, 'abs', 'int16', 'int16', true, 'UNSPECIFIED');
registerCustomizationEntry(hTable, ...
    100, 1, 'abs', 'int8', 'int8', true, 'UNSPECIFIED');
registerCustomizationEntry(hTable, ...
    100, 1, 'abs', 'integer', 'integer', true, 'UNSPECIFIED');
registerCustomizationEntry(hTable, ...
    100, 1, 'abs', 'uint32', 'uint32', true, 'UNSPECIFIED');
registerCustomizationEntry(hTable, ...
    100, 1, 'abs', 'uint16', 'uint16', true, 'UNSPECIFIED');
registerCustomizationEntry(hTable, ...
    100, 1, 'abs', 'uint8', 'uint8', true, 'UNSPECIFIED');

registerCustomizationEntry(hTable, ...
    100, 2, 'hypot', 'double', 'double', false, 'UNSPECIFIED');
registerCustomizationEntry(hTable, ...
    100, 2, 'hypot', 'single', 'single', false, 'UNSPECIFIED');

registerCustomizationEntry(hTable, ...
    100, 1, 'log', 'double', 'double', false, 'UNSPECIFIED');
registerCustomizationEntry(hTable, ...
    100, 1, 'log', 'single', 'double', false, 'UNSPECIFIED');

registerCustomizationEntry(hTable, ...
    100, 1, 'log10', 'double', 'double', false, 'UNSPECIFIED');
registerCustomizationEntry(hTable, ...
    100, 1, 'log10', 'single', 'double', false, 'UNSPECIFIED');

registerCustomizationEntry(hTable, ...
    100, 2, 'min', 'double', 'double', true, 'UNSPECIFIED');
registerCustomizationEntry(hTable, ...
    100, 2, 'min', 'single', 'single', true, 'UNSPECIFIED');
registerCustomizationEntry(hTable, ...
    100, 2, 'min', 'int32', 'int32', true, 'UNSPECIFIED');

```

```

registerCustomizationEntry(hTable, ...
    100, 2, 'min', 'int16', 'int16', true, 'UNSPECIFIED');
registerCustomizationEntry(hTable, ...
    100, 2, 'min', 'int8', 'int8', true, 'UNSPECIFIED');
registerCustomizationEntry(hTable, ...
    100, 2, 'min', 'uint32', 'uint32', true, 'UNSPECIFIED');
registerCustomizationEntry(hTable, ...
    100, 2, 'min', 'uint16', 'uint16', true, 'UNSPECIFIED');
registerCustomizationEntry(hTable, ...
    100, 2, 'min', 'uint8', 'uint8', true, 'UNSPECIFIED');
registerCustomizationEntry(hTable, ...
    100, 2, 'min', 'integer', 'integer', true, 'UNSPECIFIED');

registerCustomizationEntry(hTable, ...
    100, 2, 'max', 'double', 'double', true, 'UNSPECIFIED');
registerCustomizationEntry(hTable, ...
    100, 2, 'max', 'single', 'single', true, 'UNSPECIFIED');
registerCustomizationEntry(hTable, ...
    100, 2, 'max', 'int32', 'int32', true, 'UNSPECIFIED');
registerCustomizationEntry(hTable, ...
    100, 2, 'max', 'int16', 'int16', true, 'UNSPECIFIED');
registerCustomizationEntry(hTable, ...
    100, 2, 'max', 'int8', 'int8', true, 'UNSPECIFIED');
registerCustomizationEntry(hTable, ...
    100, 2, 'max', 'uint32', 'uint32', true, 'UNSPECIFIED');
registerCustomizationEntry(hTable, ...
    100, 2, 'max', 'uint16', 'uint16', true, 'UNSPECIFIED');
registerCustomizationEntry(hTable, ...
    100, 2, 'max', 'uint8', 'uint8', true, 'UNSPECIFIED');
registerCustomizationEntry(hTable, ...
    100, 2, 'max', 'integer', 'integer', true, 'UNSPECIFIED');

registerCustomizationEntry(hTable, ...
    100, 2, 'mod', 'double', 'double', false, 'UNSPECIFIED');
registerCustomizationEntry(hTable, ...
    100, 2, 'mod', 'single', 'single', false, 'UNSPECIFIED');
registerCustomizationEntry(hTable, ...
    100, 2, 'mod', 'int32', 'int32', false, 'UNSPECIFIED');
registerCustomizationEntry(hTable, ...
    100, 2, 'mod', 'int16', 'int16', false, 'UNSPECIFIED');
registerCustomizationEntry(hTable, ...
    100, 2, 'mod', 'int8', 'int8', false, 'UNSPECIFIED');
registerCustomizationEntry(hTable, ...
    100, 2, 'mod', 'uint32', 'uint32', false, 'UNSPECIFIED');
registerCustomizationEntry(hTable, ...
    100, 2, 'mod', 'uint16', 'uint16', false, 'UNSPECIFIED');
registerCustomizationEntry(hTable, ...
    100, 2, 'mod', 'uint8', 'uint8', false, 'UNSPECIFIED');

registerCustomizationEntry(hTable, ...
    100, 2, 'rem', 'double', 'double', false, 'UNSPECIFIED');
registerCustomizationEntry(hTable, ...
    100, 2, 'rem', 'single', 'single', false, 'UNSPECIFIED');
registerCustomizationEntry(hTable, ...
    100, 2, 'rem', 'int32', 'int32', false, 'UNSPECIFIED');

```

```

registerCustomizationEntry(hTable, ...
    100, 2, 'rem', 'int16', 'int16', false, 'UNSPECIFIED');
registerCustomizationEntry(hTable, ...
    100, 2, 'rem', 'int8', 'int8', false, 'UNSPECIFIED');
registerCustomizationEntry(hTable, ...
    100, 2, 'rem', 'uint32', 'uint32', false, 'UNSPECIFIED');
registerCustomizationEntry(hTable, ...
    100, 2, 'rem', 'uint16', 'uint16', false, 'UNSPECIFIED');
registerCustomizationEntry(hTable, ...
    100, 2, 'rem', 'uint8', 'uint8', false, 'UNSPECIFIED');

registerCustomizationEntry(hTable, ...
    100, 1, 'round', 'double', 'double', false, 'UNSPECIFIED');
registerCustomizationEntry(hTable, ...
    100, 1, 'round', 'single', 'single', false, 'UNSPECIFIED');

registerCustomizationEntry(hTable, ...
    100, 3, 'saturate', 'double', 'double', true, 'UNSPECIFIED');
registerCustomizationEntry(hTable, ...
    100, 3, 'saturate', 'single', 'single', true, 'UNSPECIFIED');
registerCustomizationEntry(hTable, ...
    100, 3, 'saturate', 'int32', 'int32', true, 'UNSPECIFIED');
registerCustomizationEntry(hTable, ...
    100, 3, 'saturate', 'int16', 'int16', true, 'UNSPECIFIED');
registerCustomizationEntry(hTable, ...
    100, 3, 'saturate', 'int8', 'int8', true, 'UNSPECIFIED');
registerCustomizationEntry(hTable, ...
    100, 3, 'saturate', 'uint32', 'uint32', true, 'UNSPECIFIED');
registerCustomizationEntry(hTable, ...
    100, 3, 'saturate', 'uint16', 'uint16', true, 'UNSPECIFIED');
registerCustomizationEntry(hTable, ...
    100, 3, 'saturate', 'uint8', 'uint8', true, 'UNSPECIFIED');
registerCustomizationEntry(hTable, ...
    100, 3, 'saturate', 'integer', 'integer', true, 'UNSPECIFIED');

registerCustomizationEntry(hTable, ...
    100, 1, 'sign', 'double', 'double', true, 'UNSPECIFIED');
registerCustomizationEntry(hTable, ...
    100, 1, 'sign', 'single', 'single', true, 'UNSPECIFIED');
registerCustomizationEntry(hTable, ...
    100, 1, 'sign', 'int32', 'integer', true, 'UNSPECIFIED');
registerCustomizationEntry(hTable, ...
    100, 1, 'sign', 'int16', 'integer', true, 'UNSPECIFIED');
registerCustomizationEntry(hTable, ...
    100, 1, 'sign', 'int8', 'integer', true, 'UNSPECIFIED');
registerCustomizationEntry(hTable, ...
    100, 1, 'sign', 'uint32', 'uint32', true, 'UNSPECIFIED');
registerCustomizationEntry(hTable, ...
    100, 1, 'sign', 'uint16', 'uint16', true, 'UNSPECIFIED');
registerCustomizationEntry(hTable, ...
    100, 1, 'sign', 'uint8', 'uint8', true, 'UNSPECIFIED');
registerCustomizationEntry(hTable, ...
    100, 1, 'sign', 'integer', 'integer', true, 'UNSPECIFIED');

registerCustomizationEntry(hTable, ...

```



```

    100, 1, 'sqrt', 'double', 'double', true, 'UNSPECIFIED');
registerCustomizationEntry(hTable, ...
    100, 1, 'sqrt', 'single', 'single', true, 'UNSPECIFIED');

registerCustomizationEntry(hTable, ...
    100, 1, 'fix', 'double', 'double', false, 'UNSPECIFIED');
registerCustomizationEntry(hTable, ...
    100, 1, 'fix', 'single', 'single', false, 'UNSPECIFIED');

registerCustomizationEntry(hTable, ...
    100, 1, 'copysign', 'double', 'double', true, 'UNSPECIFIED');
registerCustomizationEntry(hTable, ...
    100, 1, 'copysign', 'single', 'single', true, 'UNSPECIFIED');

```

- 2 To reduce the size of the file, you can delete the `registerCustomizationEntry` lines for functions for which the default nonfinite number checking and inlining behavior is acceptable.
- 3 For each remaining entry,
  - Set the `Inline` argument to `true` if the function should be inlined or `false` if it should not be inlined.
  - Set the `SNF` argument to `ENABLE` if nonfinite checking should be generated, `DISABLE` if nonfinite checking should not be generated, or `UNSPECIFIED` to accept the default behavior based on the model option settings.

Save the file.

- 4 Optionally, perform a quick check of the syntactic validity of the customization table entries by invoking the table definition file at the MATLAB command line (`>> tbl = crl_table_customization`). Fix syntax errors that are flagged.
- 5 Optionally, view the customization table entries in the Code Replacement Viewer (`>> crviewer(crl_table_customization)`). For more information about viewing code replacement tables, see “Choose a Code Replacement Library”.
- 6 To register these changes and make them appear in the **Code replacement library** drop-down list located on the **Code Generation > Interface** pane of the Configuration Parameters dialog box, first copy the following MATLAB function code into an instance of the file `rtwTargetInfo.m`.

---

**Note:** For the example below, specify the argument `'RTW'` if a GRT target is selected for your model, otherwise omit the argument.

---

```

function rtwTargetInfo(cm)
% rtwTargetInfo function to register a code replacement library (CRL)

```

```
% Register the CRL defined in local function locCrlRegFcn
cm.registerTargetInfo(@locCrlRegFcn);

end % End of RTWTARGETINFO

% Local function to define a CRL containing crl_table_customization
function thisCrl = locCrlRegFcn

% Instantiate a CRL registry entry - specify 'RTW' for GRT
thisCrl = RTW.TflRegistry('RTW');

% Define the CRL properties
thisCrl.Name = 'CRL Customization Example';
thisCrl.Description = 'Example of CRL Customization';
thisCrl.TableList = {'crl_table_customization'};
thisCrl.TargetHWDeviceType = {'*'};

end % End of LOCCRLREGFCN
```

You can edit the **Name** field to specify the library name that appears in the **Code replacement library** drop-down list. Also, the file name in the **TableList** field must match the name of the file you created in step 1.

To register your changes, with both of the MATLAB files you created present in the MATLAB path, enter the following command at the MATLAB command line:

```
sl_refresh_customizations
```

- 7 Create or open a model that generates function code corresponding to one of the math functions for which you specified a change in nonfinite number checking or inlining behavior.
- 8 Open the Configuration Parameters dialog box, go to the **Code Generation** > **Interface** pane, and use the **Code replacement library** drop-down list to select the code replacement entry you registered in step 6, for example, **CRL Customization Example**.
- 9 Generate code for the model and examine the generated code to verify that the math functions are generated as expected.

# Minimize Computations and Storage for Intermediate Results at Block Outputs

## In this section...

“Expression Folding” on page 26-35

“Example Model” on page 26-35

“Generate Code” on page 26-36

“Enable Optimization” on page 26-36

“Generate Code with Optimization” on page 26-37

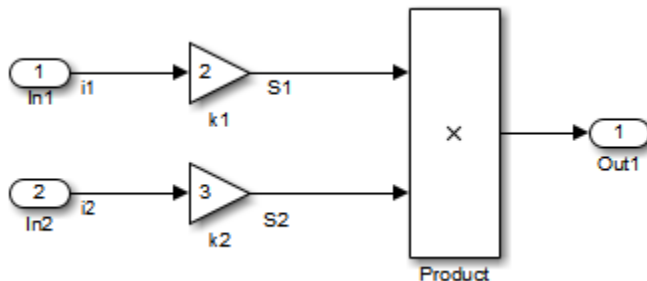
## Expression Folding

*Expression folding* optimizes code to minimize the computation of intermediate results at block outputs and the storage of such results in temporary buffers or variables. When expression folding is on, the code generator collapses (folds) block computations into a single expression, instead of generating separate code statements and storage declarations for each block in the model. Most Simulink blocks support expression folding.

Expression folding improves the efficiency of generated code, frequently achieving results that compare favorably to hand-optimized code. In many cases, entire groups of model computations fold into a single, highly optimized line of code.

You can use expression folding in your own inlined S-function blocks. For more information, see “S-Functions That Support Expression Folding”.

## Example Model



## Generate Code

With expression folding off, in the `exprfld.c` file, the code generator generates this code.

```
/* Model step function */
void exprfld_step(void)
{
    /* Gain: '<Root>/Gain' incorporates:
     * Inport: '<Root>/In1'
     */
    exprfld_B.S1 = exprfld_P.Gain_Gain * exprfld_U.i1;

    /* Gain: '<Root>/Gain1' incorporates:
     * Inport: '<Root>/In2'
     */
    exprfld_B.S2 = exprfld_P.Gain1_Gain * exprfld_U.i2;

    /* Outport: '<Root>/Out1' incorporates:
     * Product: '<Root>/Product'
     */
    exprfld_Y.Out1 = exprfld_B.S1 * exprfld_B.S2;
}
```

There are separate code statements for both Gain blocks. Before final output, these code statements compute temporary results for the Gain blocks.

## Enable Optimization

Expression folding is on by default. To see if expression folding is on for an existing model:

- 1 Open the Configuration Parameters dialog box and select the **All Parameters** tab.
- 2 Expression folding is available only when the **Signal storage reuse** parameter is set to **ON** because expression folding operates only on expressions involving local variables. On the **All Parameters** tab, select **Signal storage reuse**.
- 3 When you select **Signal storage reuse**, the **Enable local block outputs**, **Reuse local block outputs**, and **Eliminate superfluous local variables (expression folding)** parameters are all on by default.

## Generate Code with Optimization

With expression folding, the code generator generates a single-line output computation, as shown in the `exprfld.c` file. The generated comments document the block parameters that appear in the expression.

```
/* Model step function */
void exprfld_step(void)
{
    /* Output: '<Root>/Out1' incorporates:
     * Gain: '<Root>/Gain'
     * Gain: '<Root>/Gain1'
     * Inport: '<Root>/In1'
     * Inport: '<Root>/In2'
     * Product: '<Root>/Product'
     */
    exprfld_Y.Out1 = exprfld_P.Gain_Gain * exprfld_U.i1 * (exprfld_P.Gain1_Gain *
        exprfld_U.i2);
}
```

For an example of expression folding in the context of a more complex model, click `rtwdemo_slexprfold`, or at the command prompt, type:

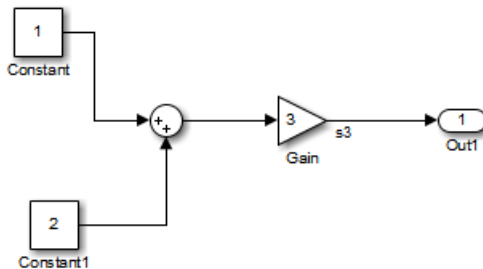
```
rtwdemo_slexprfold
```

For more information, see “Enable and Reuse Local Block Outputs in Generated Code”

## Inline Invariant Signals

You can optimize the generated code by selecting **Inline invariant signals** on the **Optimization > Signals and Parameters** pane. The generated code uses the numerical values of the invariant signals instead of their symbolic names.

An invariant signal is a block output signal that does not change during Simulink simulation. For example, the signal **S3** is an invariant signal. An *invariant signal* is not the same as an *invariant constant*. The two constants (1 and 2) and the gain value of 3 are invariant constants. To inline invariant constants, set **Default parameter behavior** to **Inlined**.



## Optimize Generated Code Using Inline Invariant Signals

This example shows how to use inline invariant signals to optimize the generated code. This optimization transforms symbolic names of invariant signals into constant values.

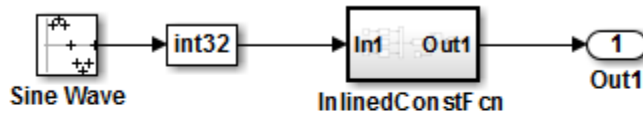
The `InlineInvariantSignals` optimization:

- Reduces ROM and RAM consumption.
- Improves execution speed.

### Example Model

Consider the model `matlab:rtwdemo_inline_invariant_signals`.

```
model = 'rtwdemo_inline_invariant_signals';
open_system(model);
```



Copyright 2014 The MathWorks, Inc.

### Generate Code

Create a temporary folder (in your system temporary folder) for the build and inspection process.

```
currentDir = pwd;
[~,cgDir] = rtwdemodir();
```

Build the model using Simulink Coder.

```
rtwbuild(model)
```

```
### Starting build procedure for model: rtwdemo_inline_invariant_signals
### Successful completion of build procedure for model: rtwdemo_inline_invariant_signals
```

View the generated code without the optimization. These lines of code are in `rtwdemo_inline_invariant_signals.c`.

```
cfile = fullfile(cgDir,'rtwdemo_inline_invariant_signals_grt_rtw',...
    'rtwdemo_inline_invariant_signals.c');
rtwdemodbtype(cfile,'/* Output and update for atomic system',...
    '/* Model output', 1, 0);
```

```
/* Output and update for atomic system: '<Root>/InlinedConstFcn' */
void rtwdemo_inline__InlinedConstFcn(int32_T rtu_In1,
    B_InlinedConstFcn_rtwdemo_inl_T *localB, ConstB_InlinedConstFcn_rtwdem_T
    *localC)
{
    /* Product: '<S1>/Product' */
    localB->Product = rtu_In1 * localC->Sum_p;
}

```

### Enable Optimization

- 1 Open the Configuration Parameters dialog box.
- 2 On the **Optimization->Signals and Parameters** pane, select **Inline Invariant Signals**.

Alternatively, you can use the command-line API to enable the optimization:

```
set_param(model, 'InlineInvariantSignals', 'on');
```

### Generate Code with Optimization

The generated code uses the numerical values of the folded constants instead of creating an additional structure (rtwdemo\_inline\_invariant\_ConstB).

Build the model using Simulink Coder.

```
rtwbuild(model)
```

```
### Starting build procedure for model: rtwdemo_inline_invariant_signals  
### Successful completion of build procedure for model: rtwdemo_inline_invariant_signals
```

View the generated code with the optimization. These lines of code are in rtwdemo\_minmax.c.

```
rtwdemodbtype(cfile, '/* Output and update for atomic system', '/* Model output', 1, 0)
```

```
/* Output and update for atomic system: '<Root>/InlinedConstFcn' */  
void rtwdemo_inline__InlinedConstFcn(int32_T rtu_In1,  
    B_InlinedConstFcn_rtwdemo_inl_T *localB)  
{  
    /* Product: '<S1>/Product' */  
    localB->Product = rtu_In1 << 5;  
}
```

Close the model and code generation report.

```
bdclose(model)  
rtwdemoclean;  
cd(currentDir)
```



## Inline Numeric Values of Block Parameters

This example shows how to optimize the generated code by inlining the numeric values of block parameters. *Block parameters* include the **Gain** parameter of a Gain block and the table data and breakpoint sets of an n-D Lookup Table block.

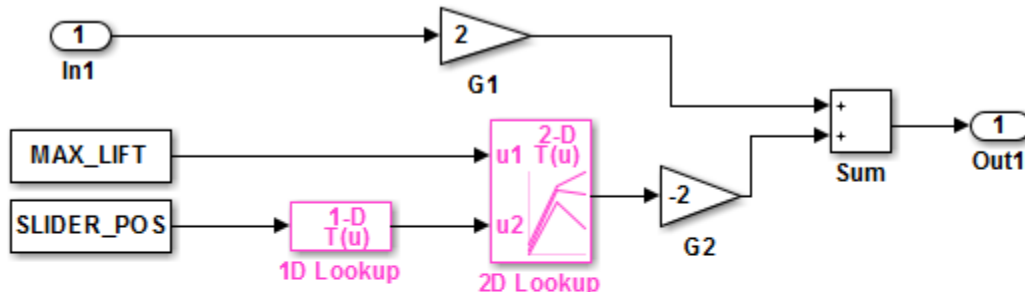
This optimization determines whether numeric block parameters occupy global memory in the generated code. The optimization can:

- Improve execution speed.
- Reduce RAM and ROM consumption.

### Explore Example Model

Open the example model `rtwdemo_paraminline`.

```
open_system('rtwdemo_paraminline')
```



<p>Generate Code Using Simulink Coder (double-click)</p>	<p>Generate Code Using Embedded Coder (double-click)</p>	<p>View Optimization Configuration (double-click)</p>	<p>Display Sample Time Colors (double-click)</p>
--	--	---	--

Copyright 1994-2015 The MathWorks, Inc.

The model contains blocks that have these numeric parameters:

- The **Gain** parameters of the Gain blocks

- The **Constant value** parameters of the Constant blocks
- The table data and breakpoint sets of the n-D Lookup Table blocks

The output of the block G2, and the outputs of blocks upstream of G2, change only if you tune the values of the block parameters during simulation or during code execution. When you update the model diagram, these blocks and signal lines appear magenta in color.

Several blocks use `Simulink.Parameter` objects in the base workspace to set the values of their parameters. The parameter objects all use the storage class `Auto`, which means that you can configure the generated code to inline the parameter values.

### Generate Code Without Optimization

Create a temporary folder for the build and inspection process.

```
currentDir = pwd;
[~,cgDir] = rtwdemodir();
```

Disable the optimization by setting **Configuration Parameters > Optimization > Signals and Parameters > Default parameter behavior** to `Tunable`.

```
set_param('rtwdemo_paraminline', 'DefaultParameterBehavior', 'Tunable')
```

Generate code from the model.

```
rtwbuild('rtwdemo_paraminline')

### Starting build procedure for model: rtwdemo_paraminline
### Successful completion of build procedure for model: rtwdemo_paraminline
```

In the code generation report, view the source file `rtwdemo_paraminline_data.c`. The code defines a global structure that contains the block parameter values. Each block parameter in the model, such as a lookup table array, breakpoint set, or gain, appears as a field of the structure.

```
cfile = fullfile(cgDir, 'rtwdemo_paraminline_grt_rtw', 'rtwdemo_paraminline_data.c');
rtwdemodbtype(cfile, '/* Block parameters (auto storage) */', '};', 1, 1);

/* Block parameters (auto storage) */
P_rtwdemo_paraminline_T rtwdemo_paraminline_P = {
    10.0, /* Variable: MAX_LIFT
          * Referenced by: '<Root>/Constant'
          */
```

```

0.0,                                     /* Variable: SLIDER_POS
                                         * Referenced by: '<Root>/Constant1'
                                         */

/* Variable: T1Break
 * Referenced by: '<Root>/1D Lookup'
 */
{ -5.0, -4.0, -3.0, -2.0, -1.0, 0.0, 1.0, 2.0, 3.0, 4.0, 5.0 },

/* Variable: T1Data
 * Referenced by: '<Root>/1D Lookup'
 */
{ -1.0, -0.99, -0.98, -0.96, -0.76, 0.0, 0.76, 0.96, 0.98, 0.99, 1.0 },

/* Variable: T2Break
 * Referenced by: '<Root>/2D Lookup'
 */
{ 1.0, 2.0, 3.0 },

/* Variable: T2Data
 * Referenced by: '<Root>/2D Lookup'
 */
{ 4.0, 16.0, 10.0, 5.0, 19.0, 18.0, 6.0, 20.0, 23.0 },
2.0,                                     /* Expression: 2
                                         * Referenced by: '<Root>/G1'
                                         */
-2.0,                                     /* Expression: -2
                                         * Referenced by: '<Root>/G2'
                                         */

/* Computed Parameter: uDLookup_maxIndex
 * Referenced by: '<Root>/2D Lookup'
 */
{ 2U, 2U }
};

```

You can tune the structure fields during code execution because they occupy global memory. However, at each step of the generated algorithm, the code must calculate the output of each block, including the outputs of the block G2 and the upstream blocks. View the algorithm in the model step function in the file `rtwdemo_paraminline.c`.

```

cfile = fullfile(cgDir,'rtwdemo_paraminline_grt_rtw','rtwdemo_paraminline.c');
rtwdemodbtype(cfile,'/* Model step function */','/* Model initialize function */',1,0)

```

```

/* Model step function */
void rtwdemo_paraminline_step(void)
{
    real_T rtb_uDLookup;

    /* Lookup_n-D: '<Root>/1D Lookup' incorporates:
     * Constant: '<Root>/Constant1'
     */
    rtb_uDLookup = look1_binlx(rtwdemo_paraminline_P.SLIDER_POS,
        rtwdemo_paraminline_P.T1Break, rtwdemo_paraminline_P.T1Data, 10U);

    /* Lookup_n-D: '<Root>/2D Lookup' incorporates:
     * Constant: '<Root>/Constant'
     */
    rtb_uDLookup = look2_binlx(rtwdemo_paraminline_P.MAX_LIFT, rtb_uDLookup,
        rtwdemo_paraminline_P.T2Break, rtwdemo_paraminline_P.T2Break,
        rtwdemo_paraminline_P.T2Data, rtwdemo_paraminline_P.uDLookup_maxIndex, 3U);

    /* Output: '<Root>/Out1' incorporates:
     * Gain: '<Root>/G1'
     * Gain: '<Root>/G2'
     * Inport: '<Root>/In1'
     * Sum: '<Root>/Sum'
     */
    rtwdemo_paraminline_Y.Out1 = rtwdemo_paraminline_P.G1_Gain *
        rtwdemo_paraminline_U.In1 + rtwdemo_paraminline_P.G2_Gain * rtb_uDLookup;
}

```

### Generate Code with Optimization

Set **Default parameter behavior** to Inlined.

```
set_param('rtwdemo_paraminline','DefaultParameterBehavior','Inlined')
```

Generate code from the model.

```
rtwbuild('rtwdemo_paraminline')
```

```
### Starting build procedure for model: rtwdemo_paraminline
### Successful completion of build procedure for model: rtwdemo_paraminline
```

In the code generation report, view the algorithm in the file `rtwdemo_paraminline.c`.

```
rtwdemodbtype(cfile,'/* Model step function */','/* Model initialize function */',1,0)
```

```

/* Model step function */
void rtwdemo_paraminline_step(void)
{
    /* Outport: '<Root>/Out1' incorporates:
     * Gain: '<Root>/G1'
     * Inport: '<Root>/In1'
     * Sum: '<Root>/Sum'
     */
    rtwdemo_paraminline_Y.Out1 = 2.0 * rtwdemo_paraminline_U.In1 + 150.0;
}

```

The code does not allocate memory for block parameters or for parameter objects that use the storage class `Auto`. Instead, the code generator uses the parameter values from the model, and from the parameter objects, to calculate and inline the constant output of the block G2, 150.0. The generator also inlines the value of the **Gain** parameter of the Gain block G1, 2.0.

With the optimization, the generated code leaves out computationally expensive algorithmic code for blocks such as the lookup tables. The optimized code calculates the output of a block only if the output can change during execution. For this model, only the outputs of the Inport block In1, the Gain block G1, and the Sum block can change.

Close the model and the code generation report.

```

bdclose('rtwdemo_paraminline')
rtwdemoclean;
cd(currentDir)

```

### Preserve Block Parameter Tunability

When you set **Default parameter behavior** to **Inlined**, you can preserve block parameter tunability by creating `Simulink.Parameter` objects for individual parameters. You can configure each object to appear in the code as a tunable field of the global parameter structure or as an individual global variable. You can change parameter values during code execution and interface the generated code with your own handwritten code. For more information, see “Control Parameter Representation and Declare Tunable Parameters in the Generated Code”.

### Inline Invariant Signals

You can select the **Inline invariant signals** code generation option (which also places constant values in the generated code) only when you set **Default parameter behavior** to **Inlined**. See “Inline Invariant Signals”.

### Related Examples

- “Control Parameter Representation and Declare Tunable Parameters in the Generated Code”

### More About

- “Parameter Storage in the Generated Code”

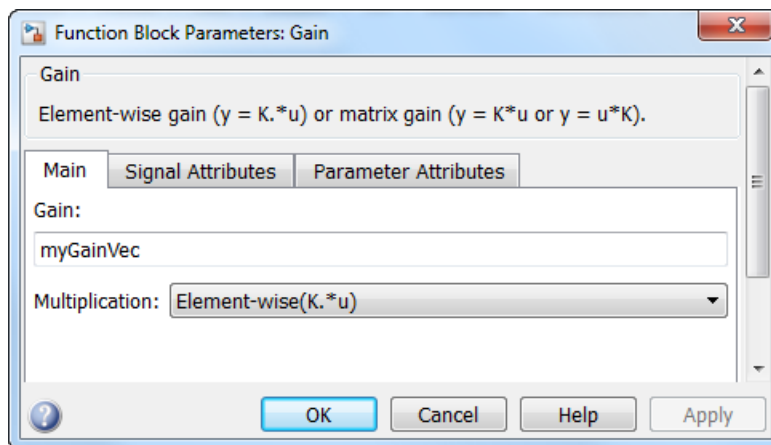
## Configure Loop Unrolling Threshold

The **Loop unrolling threshold** parameter on the **Optimization > Signals and Parameters** pane determines when a wide signal or parameter should be wrapped into a `for` loop and when it should be generated as a separate statement for each element of the signal. The default threshold value is 5.

For example, consider the model below:



The gain parameter of the Gain block is the vector `myGainVec`.



Assume that the loop unrolling threshold value is set to the default, 5.

If `myGainVec` is declared as

```
myGainVec = [1:10];
```

an array of 10 elements, `myGainVec_P.Gain_Gain[ ]`, is declared within the `Parameters_model` data structure. The size of the gain array exceeds the loop unrolling threshold. Therefore, the code generated for the Gain block iterates over the array in a `for` loop, as shown in the following code:

```
{
    int32_T i1;

    /* Gain: '<Root>/Gain' */
    for(i1=0; i1<10; i1++) {
        myGainVec_B.Gain_f[i1] = rtb_foo *
            myGainVec_P.Gain_Gain[i1];
    }
}
```

If `myGainVec` is declared as

```
myGainVec = [1:3];
```

an array of three elements, `myGainVec_P.Gain_Gain[ ]`, is declared within the `Parameters` data structure. The size of the gain array is below the loop unrolling threshold. The generated code consists of inline references to each element of the array, as in the code below.

```
/* Gain: '<Root>/Gain' */
myGainVec_B.Gain_f[0] = rtb_foo * myGainVec_P.Gain_Gain[0];
myGainVec_B.Gain_f[1] = rtb_foo * myGainVec_P.Gain_Gain[1];
myGainVec_B.Gain_f[2] = rtb_foo * myGainVec_P.Gain_Gain[2];
```

See “Explore Variable Names and Loop Rolling” for more information on loop rolling.

---

**Note** When a model includes Stateflow charts or MATLAB Function blocks, you can apply a set of Stateflow optimizations on the **Optimization > Stateflow** pane. The settings you select for the Stateflow options also apply to MATLAB Function blocks in the model. This is because the MATLAB Function blocks and Stateflow charts are built on top of the same technology and share a code base. You do not need a Stateflow license to use MATLAB Function blocks.

---



## Optimize Code Generated for Vector Assignments

### In this section...

“Example Model” on page 26-50

“Generate Code” on page 26-51

“Generate Code with Optimization” on page 26-51

You can use the **Use memcpy for vector assignment** parameter to optimize generated code for vector assignments by replacing `for` loops with `memcpy` function calls. The `memcpy` function is more efficient than `for`-loop controlled element assignment for large data sets. This optimization improves execution speed.

Selecting the **Use memcpy for vector assignment** parameter enables the associated parameter **Memcpy threshold (bytes)**, which allows you to specify the minimum array size in bytes for which `memcpy` function calls should replace `for` loops in the generated code. For more information, see “Use memcpy for vector assignment” and “Memcpy threshold (bytes)”. In considering whether to use this optimization,

- Verify that your target supports the `memcpy` function.
- Determine whether your model uses signal vector assignments (such as `Y=expression`) to move large amounts of data, for example, using the Selector block.

To apply this optimization,

- 1 Consider first generating code without this optimization and measuring its execution speed, to establish a baseline for evaluating the optimized assignment.
- 2 Select **Use memcpy for vector assignment** and examine the setting of **Memcpy threshold (bytes)**, which by default specifies 64 bytes as the minimum array size for which `memcpy` function calls replace `for` loops. Based on the array sizes used in your application's signal vector assignments, and target environment considerations that might bear on the threshold selection, accept the default or specify another array size.
- 3 Generate code, and measure its execution speed against your baseline or previous iterations. Iterate on steps 2 and 3 until you achieve an optimal result.

---

**Note:** The `memcpy` optimization may not occur under certain conditions, including when other optimizations have a higher precedence than the `memcpy` optimization, or when the

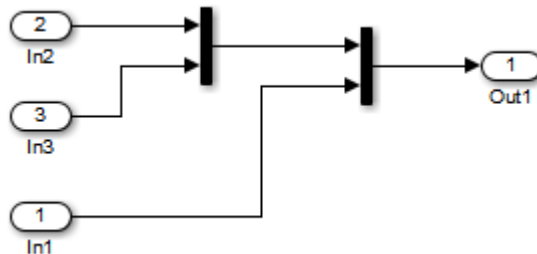
generated code is originating from Target Language Compiler (TLC) code, such as a TLC file associated with an S-function block.

**Note:** If you are licensed for Embedded Coder software, you can use a code replacement library (CRL) to provide your own custom implementation of the `memcpy` function to be used in generated model code. For more information, see “Memory Function Code Replacement” on page 24-99.

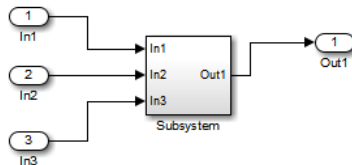
## Example Model

To examine the result of using the **Use memcpy for vector assignment** parameter on the generated vector assignment code, create a model that generates signal vector assignments. For example,

- 1 Use In, Out, and Mux blocks to create the following model.



- 2 Select the diagram and use **Edit > Subsystem** to make it a subsystem.



- 3 Open Model Explorer and configure the **Signal Attributes** for the In1, In2, and In3 source blocks. For each, set **Port dimensions** to `[1, 100]`, and set **Data type** to `int32`. Apply the changes and save the model. In this example, the model has the name `vectorassign`.

## Generate Code

- 1 The **Use memcpy for vector assignment** parameter is on by default. To turn off the parameter, go to the **Optimization > Signals and Parameters** pane and clear the **Use memcpy for vector assignment** parameter.
- 2 Go to the **Code Generation > Report** pane of the Configuration Parameters dialog box and select the **Create code generation report**. Then go to the **Code Generation** pane, select the **Generate code only** option, and generate code for the model. When code generation completes, the HTML code generation report is displayed.
- 3 In the HTML code generation report, click the `vectorassign.c` section and inspect the model step function. Notice that the vector assignments are implemented using `for` loops.

```

/* Model step function */
void vectorassign_step(void)
{
    int32_T i;

    /* Output: '<Root>/Out1' incorporates:
     * Inport: '<Root>/In1'
     * Inport: '<Root>/In2'
     * Inport: '<Root>/In3'
     */
    for (i = 0; i < 100; i++) {
        vectorassign_Y.Out1[i] = vectorassign_U.In1[i];
        vectorassign_Y.Out1[i + 100] = vectorassign_U.In2[i];
        vectorassign_Y.Out1[i + 200] = vectorassign_U.In3[i];
    }

    /* End of Output: '<Root>/Out1' */
}

```

## Generate Code with Optimization

- 1 Go to the **Optimization > Signals and Parameters** pane of the Configuration Parameters dialog box and select the **Use memcpy for vector assignment** option. Leave the **Memcpy threshold (bytes)** option at its default setting of 64. Apply the changes and regenerate code for the model. When code generation completes, the HTML code generation report again is displayed.
- 2 In the HTML code generation report, click the `vectorassign.c` section and inspect the model output function. Notice that the vector assignments now are implemented using `memcpy` function calls.

```

/* Model step function */

```

```
void vectorassign_step(void)
{
    int32_T i;

    /* Outport: '<Root>/Out1' incorporates:
     * Inport: '<Root>/In1'
     * Inport: '<Root>/In2'
     * Inport: '<Root>/In3'
     */
    memcpy(&vectorassign_Y.Out1[0], &vectorassign_U.In2[0], 100U * sizeof(int32_T));
    memcpy(&vectorassign_Y.Out1[100], &vectorassign_U.In3[0], 100U * sizeof(int32_T));
    memcpy(&vectorassign_Y.Out1[200], &vectorassign_U.In1[0], 100U * sizeof(int32_T));
}
```

## Generate Target Optimizations Within Algorithm Code

Some application components are hardware-specific and cannot simulate on a host system. For example, consider a component that includes pragmas and assembly code for enabling hardware instructions for saturate on add operations or a Fast Fourier Transform (FFT) function.

The following table lists integration options to customize generated algorithm code with target-specific optimizations.

---

**Note:** Solutions marked with *EC only* require an Embedded Coder license.

---

If...	Then...	For More Information, See
You want to optimize the execution speed and memory of the model code by replacing default math functions and operators with target-specific code	<i>EC only</i> —Implement function and operator replacements by using the Code Replacement Tool, code replacement library (CRL) API, and Code Replacement Viewer to create, examine, validate, and register hardware-specific replacement tables	“Optimize Generated Code By Developing and Using Code Replacement Libraries - Simulink®”
You want to control how code generation technology declares, stores, and represents signals, tunable parameters, block states, and data objects in generated code	<i>EC only</i> —Design (create) and apply custom storage classes	<ul style="list-style-type: none"> <li>• <code>rtwdemo_cscpredef</code></li> <li>• <code>rtwdemo_importstruct</code></li> <li>• <code>rtwdemo_advsc</code></li> <li>• “Custom Storage Classes”</li> </ul>

---

**Note:** To simulate an algorithm that includes target-specific elements in a host environment, you must create code that is equivalent to the target code and can run in the host environment.

---

## Remove Code for Blocks That Have No Effect on Computational Results

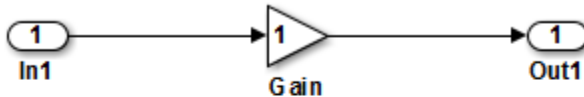
This example shows how the code generator optimizes generated code by removing code that has no effect on computational results. This optimization:

- Increases execution speed.
- Reduces ROM consumption.

### Example

In the model `rtwdemo_blockreduction`, a Gain block of value `1.0` is in between Inport and Output blocks.

```
model = 'rtwdemo_blockreduction';
open_system(model);
```



Copyright 2014 The Mathworks, Inc.

### Generate Code

Create a temporary folder for the build and inspection process.

```
currentDir=pwd;
[~,cgDir]=rtwdemodir();
```

Build the model.

```
set_param(model,'BlockReduction','off');
rtwbuild(model)
```

```
### Starting build procedure for model: rtwdemo_blockreduction
### Successful completion of build procedure for model: rtwdemo_blockreduction
```

Here is the code from `rtwdemo_blockreduction.c`.

```
cfile = fullfile(cgDir, 'rtwdemo_blockreduction_ert_rtw', 'rtwdemo_blockreduction.c');
rtwdemodbtype(cfile, '/* Model step function */', ...
    '/* Model initialize function */', 1, 0);

/* Model step function */
void rtwdemo_blockreduction_step(void)
{
    /* Outport: '<Root>/Out1' incorporates:
     * Gain: '<Root>/Gain'
     * Inport: '<Root>/In1'
     */
    rtwdemo_blockreduction_Y.Out1 = 1.0 * rtwdemo_blockreduction_U.In1;
}
```

### Enable Optimization

- 1 Open the Configuration Parameters dialog box.
- 2 On the **All Parameters** tab, select **Block reduction**. This optimization is on by default.

Alternately, use the command-line API to enable the optimization.

```
set_param(model, 'BlockReduction', 'on');
```

### Generate Code with Optimization

```
rtwbuild(model)

### Starting build procedure for model: rtwdemo_blockreduction
### Successful completion of build procedure for model: rtwdemo_blockreduction
```

Here is the optimized code from `rtwdemo_blockreduction.c`.

```
cfile = fullfile(cgDir, 'rtwdemo_blockreduction_ert_rtw', 'rtwdemo_blockreduction.c');
rtwdemodbtype(cfile, '/* Model step function */', ...
    '/* Model initialize function */', 1, 0);

/* Model step function */
void rtwdemo_blockreduction_step(void)
{
    /* Outport: '<Root>/Out1' incorporates:
```



```
* Inport: '<Root>/In1'  
*/  
rtwdemo_blockreduction_Y.Out1 = rtwdemo_blockreduction_U.In1;  
}
```

Because multiplying the input signal by a value of 1.0 does not impact computational results, the code generator excludes the Gain block from the generated code. Close the model and clean up.

```
bdclose(model)  
rtwdemoclean;  
cd(currentDir)
```

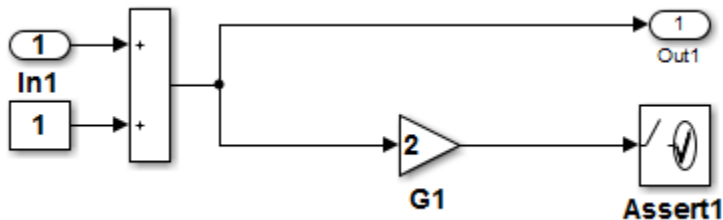
## Eliminate Dead Code Paths in Generated Code

This example shows how the code generator eliminates dead (that is, unused) code paths from generated code. This optimization increases execution speed and conserves ROM and RAM consumption.

### Example

In the model `rtwdemo_deadpathElim`, the signal leaving the Sum block divides into two separate code paths. The top path is not a dead code path. If the user disables the Assertion block, the bottom path becomes a dead code path.

```
model = 'rtwdemo_deadpathElim';
open_system(model);
```



### Generate Code with an Enabled Assertion Block

- 1 For the Assertion block, open the block parameters dialog box.
- 2 Select the **Enable assertion** box. Alternatively, use the command-line API to enable the Assertion block.

```
set_param([model '/Assert1'], 'Enabled', 'on');
```

Create a temporary folder for the build and inspection process.

```
currentDir = pwd;
[~,cgDir] = rtwdemodir();
```

Build the model.

```
rtwbuild(model)
```

```
### Starting build procedure for model: rtwdemo_deadpathElim
```

```
### Successful completion of build procedure for model: rtwdemo_deadpathElim
```

Because the Assertion block is enabled, these lines of `rtwdemo_minmax.c` include code for the Gain and Assertion blocks.

```
cfile = fullfile(cgDir, 'rtwdemo_deadpathElim_grt_rtw', 'rtwdemo_deadpathElim.c');
rtwdemodbtype(cfile, '/* Model step', '/* Model initialize function */', 0, 1);
```

```
void rtwdemo_deadpathElim_step(void)
{
    /* Sum: '<Root>/Sum1' incorporates:
     * Constant: '<Root>/Constant1'
     * Inport: '<Root>/In1'
     */
    rtwdemo_deadpathElim_Y.Out1 = rtwdemo_deadpathElim_U.In1 + 1.0;

    /* Assertion: '<Root>/Assert1' incorporates:
     * Gain: '<Root>/G1'
     */
    utAssert(2.0 * rtwdemo_deadpathElim_Y.Out1 != 0.0);
}
```

### Generate Code with a Disabled Assertion Block

Disable the Assertion block to generate a dead code path. The code generator detects the dead code path and eliminates it from the generated code.

- 1 For the Assertion block, open the Block Parameters dialog box.
- 2 Deselect the **Enable assertion** box.

Alternatively, use the command-line API to disable the Assertion block.

```
set_param([model '/Assert1'], 'Enabled', 'off');
```

Build the model.

```
rtwbuild(model)
```

```
### Starting build procedure for model: rtwdemo_deadpathElim
### Successful completion of build procedure for model: rtwdemo_deadpathElim
```

Because the Assertion block is disabled, these lines of `rtwdemo_minmax.c` do not include code for the Gain and Assertion blocks.

```
rtwdemodbtype(cfile, '/* Model step', '/* Model initialize function */', 0, 1);

void rtwdemo_deadpathElim_step(void)
{
    /* Outport: '<Root>/Out1' incorporates:
     * Constant: '<Root>/Constant1'
     * Inport: '<Root>/In1'
     * Sum: '<Root>/Sum1'
     */
    rtwdemo_deadpathElim_Y.Out1 = rtwdemo_deadpathElim_U.In1 + 1.0;
}
```

**Close the model and clean-up.**

```
bdclose(model)
rtwdemoclean;
cd(currentDir)
```

For another example of how the code generator eliminates dead code paths in the generated code, see `rtwdemo_deadpath`.

## Floating-Point Multiplication to Handle a Net Slope Correction

This example shows how to use floating-point multiplication to handle a net slope correction. When converting floating-point data types to fixed-point data types in the generated code, a net slope correction is one method of scaling fixed-point data types. Scaling the fixed-point data types avoids overflow conditions and minimizes quantization errors.

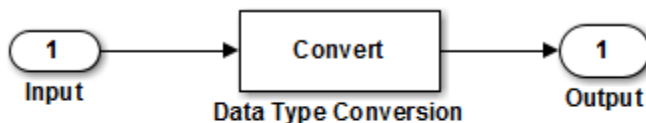
For processors that support efficient multiplication, using floating-point multiplication to handle a net slope correction improves code efficiency. If the net slope correction has a value that is not a power of two, using division improves precision.

**Note:** This example requires a Fixed-Point Designer™ license.

### Example

In the model `rtwdemo_float_mul_for_net_slope_correction`, a Convert block converts an input signal from a floating-point data type to a fixed-point data type. The net slope correction has a value of 3.

```
model = 'rtwdemo_float_mul_for_net_slope_correction';  
open_system(model);
```



Copyright 2014 The MathWorks, Inc.

### Generate Code

Create a temporary folder for the build and inspection process.

```
currentDir = pwd;  
[~,cgDir] = rtwdemodir();
```

Build the model.

```
rtwbuild(model)

### Starting build procedure for model: rtwdemo_float_mul_for_net_slope_correction
### Successful completion of build procedure for model: rtwdemo_float_mul_for_net_slope
```

In these lines of `rtwdemo_float_mul_for_net_slope_correction.c` code, the code generator divides the input signal by 3.0F .

```
cfile = fullfile(cgDir, 'rtwdemo_float_mul_for_net_slope_correction_ert_rtw', ...
    'rtwdemo_float_mul_for_net_slope_correction.c');
rtwdemodbtype(cfile, '/* Model step', '/* Model initialize', 1, 0);
```

```
/* Model step function */
void rtwdemo_float_mul_for_net_slope_correction_step(void)
{
    /* Output: '<Root>/Output' incorporates:
     * DataTypeConversion: '<Root>/Data Type Conversion'
     * Inport: '<Root>/Input'
     */
    rtY.Output = (int16_T)(real32_T)floor(rtU.Input / 3.0F);
}
```

### Enable Optimization

- 1 Open the Configuration Parameters dialog box.
- 2 On the **Optimization** pane, select **Use floating-point multiplication to handle net slope corrections**. This optimization is on by default.

Alternatively, you can use the command-line API to enable the optimization.

```
set_param(model, 'UseFloatMulNetSlope', 'on');
```

### Generate Code with Optimization

```
rtwbuild(model)

### Starting build procedure for model: rtwdemo_float_mul_for_net_slope_correction
### Successful completion of build procedure for model: rtwdemo_float_mul_for_net_slope
```

In the optimized code, the code generator multiplies the input signal by the reciprocal of 3.0F , that is 0.333333343F .

```
rtwdemodbtype(cfile, '/* Model step', '/* Model initialize', 1, 0);
```

```
/* Model step function */  
void rtwdemo_float_mul_for_net_slope_correction_step(void)  
{  
    /* Outport: '<Root>/Output' incorporates:  
     * DataTypeConversion: '<Root>/Data Type Conversion'  
     * Inport: '<Root>/Input'  
     */  
    rtY.Output = (int16_T)(real32_T)floor(rtU.Input * 0.333333343F);  
}
```

Close the model and the code generation report.

```
bdclose(model)  
rtwdemoclean;  
cd(currentDir)
```

## Use Conditional Input Branch Execution

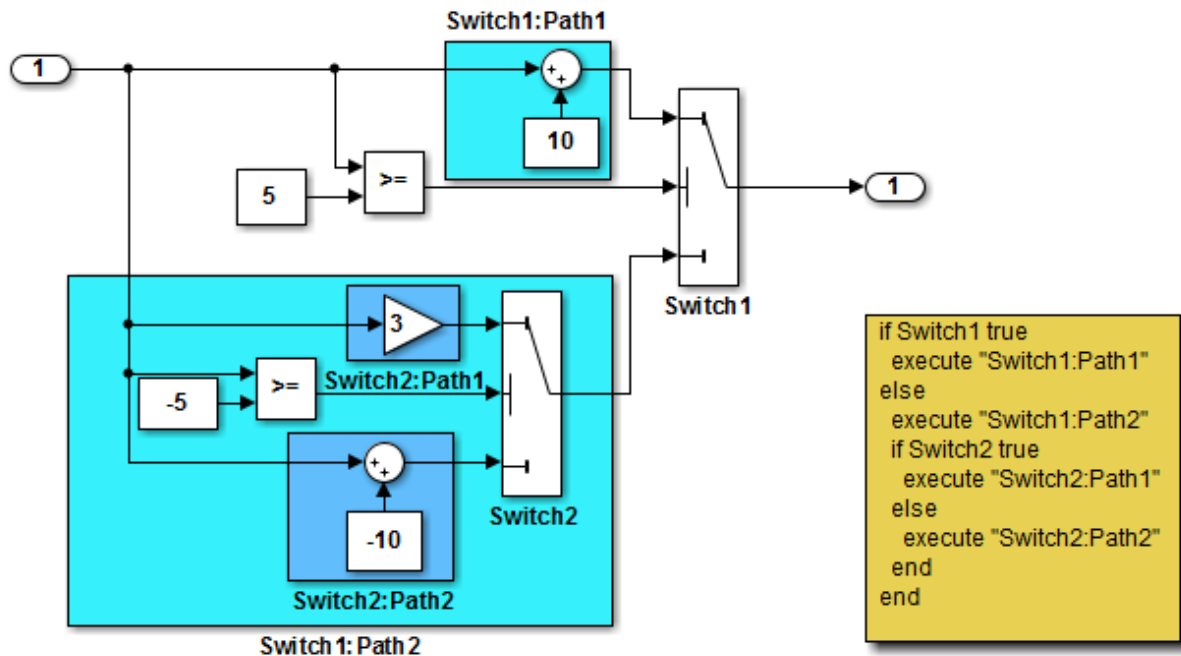
This example shows how to optimize the generated code for a model that contains Switch and Multiport Switch blocks. When you select the model configuration parameter **Conditional input branch execution**, Simulink executes only blocks that compute the control input and data input that the control input selects. This optimization improves execution speed.

### Example Model

In this example, switch paths are conditionally executed. If `Switch1` control input is true, `Switch1` executes blocks grouped in the `Switch1:Path1` branch. If `Switch1` control input is false, `Switch1` executes blocks grouped in the `Switch1:Path2` branch. If `Switch1` executes blocks in the `Switch1:Path2` branch and `Switch2` control input is true, `Switch2` executes blocks in the `Switch2:Path1` branch. If `Switch2` control input is false, `Switch2` executes blocks in the `Switch2:Path2` branch. The pseudo code shows this logic.

```
model='rtwdemo_condinput';  
open_system(model);
```





This model shows conditional input branch execution performed by Simulink and Simulink Coder. Conditional input branch execution improves simulation and code generation execution performance. In this example, switch paths are conditionally executed. That is, if Switch1's control input is true, Switch1 executes blocks grouped in the "Switch1:Path1" branch. Otherwise, it executes blocks grouped in the "Switch1:Path2" branch. If blocks in "Switch1:Path2" are executed, Switch2 executes the "Switch2:Path1" branch if its control input is true. Otherwise, it executes the "Switch2:Path2" branch. This logic is illustrated by the pseudo code above.

Generate Code Using  
Simulink Coder  
(double-click)

Generate Code Using  
Embedded Coder  
(double-click)

Copyright 1994-2012 The MathWorks, Inc.

## Generate Code

The **Conditional input branch execution** parameter is on by default. Enter the following command-line API to turn off the parameter.

```
set_param(model, 'ConditionallyExecuteInputs', 'off');
```

Create a temporary folder for the build and inspection process.

```
currentDir=pwd;  
[~,cgDir]=rtwdemodir();
```

Build the model.

```
rtwbuild(model)  
  
### Starting build procedure for model: rtwdemo_condinput  
### Successful completion of build procedure for model: rtwdemo_condinput
```

View the generated code without the optimization. These lines of code are in the `rtwdemo_condinput.c` file.

```
cfile = fullfile(cgDir,'rtwdemo_condinput_grt_rtw','rtwdemo_condinput.c');  
rtwdemodbtype(cfile,'/* Model step', '/* Model initialize', 1, 0);
```

```
/* Model step function */  
void rtwdemo_condinput_step(void)  
{  
    /* Switch: '<Root>/ Switch2' incorporates:  
    * Constant: '<Root>/ C_10'  
    * Constant: '<Root>/C_5'  
    * Gain: '<Root>/ G3'  
    * Inport: '<Root>/input'  
    * RelationalOperator: '<Root>/Relational Operator'  
    * Sum: '<Root>/ Sum'  
    */  
    if (rtwdemo_condinput_U.input >= -5.0) {  
        rtwdemo_condinput_Y.output = 3.0 * rtwdemo_condinput_U.input;  
    } else {  
        rtwdemo_condinput_Y.output = rtwdemo_condinput_U.input + -10.0;  
    }  
  
    /* End of Switch: '<Root>/ Switch2' */  
}
```

```

/* Switch: '<Root>/Switch1' incorporates:
 * Constant: '<Root>/C5'
 * Inport: '<Root>/input'
 * RelationalOperator: '<Root>/Relational Operator1'
 */
if (rtwdemo_condinput_U.input >= 5.0) {
  /* Outport: '<Root>/output' incorporates:
   * Constant: '<Root>/ C10'
   * Sum: '<Root>/ Sum1'
   */
  rtwdemo_condinput_Y.output = rtwdemo_condinput_U.input + 10.0;
}

/* End of Switch: '<Root>/Switch1' */
}

```

The generated code contains an **if-else** statement for the **Switch1** block and an **if** statement for the **Switch2** block. Therefore, the generated code for **Switch1:Path2** executes even if the **if** statement for **Switch1:Path1** evaluates to true.

### Enable Optimization

- 1 Open the Configuration Parameters dialog box.
- 2 On the **All Parameters** tab, select **Conditional input branch execution**.  
Alternatively, you can use the command-line API to enable the optimization.

```
set_param(model, 'ConditionallyExecuteInputs', 'on');
```

### Generate Code with Optimization

```

rtwbuild(model)
cfile = fullfile(cgDir, 'rtwdemo_condinput_grt_rtw', 'rtwdemo_condinput.c');
rtwdemodbtype(cfile, '/* Model step', '/* Model initialize', 1, 0);

### Starting build procedure for model: rtwdemo_condinput
### Successful completion of build procedure for model: rtwdemo_condinput

/* Model step function */
void rtwdemo_condinput_step(void)
{
  /* Switch: '<Root>/Switch1' incorporates:
   * Constant: '<Root>/C5'
   * Constant: '<Root>/C_5'
   * Inport: '<Root>/input'

```

```

    * RelationalOperator: '<Root>/Relational Operator'
    * RelationalOperator: '<Root>/Relational Operator1'
    * Switch: '<Root>/ Switch2'
    */
if (rtwdemo_condinput_U.input >= 5.0) {
    /* Outport: '<Root>/output' incorporates:
    * Constant: '<Root>/ C10'
    * Sum: '<Root>/ Sum1'
    */
    rtwdemo_condinput_Y.output = rtwdemo_condinput_U.input + 10.0;
} else if (rtwdemo_condinput_U.input >= -5.0) {
    /* Outport: '<Root>/output' incorporates:
    * Gain: '<Root>/ G3'
    * Switch: '<Root>/ Switch2'
    */
    rtwdemo_condinput_Y.output = 3.0 * rtwdemo_condinput_U.input;
} else {
    /* Outport: '<Root>/output' incorporates:
    * Constant: '<Root>/ C_10'
    * Sum: '<Root>/ Sum'
    * Switch: '<Root>/ Switch2'
    */
    rtwdemo_condinput_Y.output = rtwdemo_condinput_U.input + -10.0;
}

/* End of Switch: '<Root>/Switch1' */
}

```

The generated code contains one `if` statement. The generated code for `Switch1:Path2` only executes if the `if` statement evaluates to false.

### Close Model and Code Generation Report

```

bdclose(model)
rtwdemoclean;
cd(currentDir)

```

## Optimize Generated Code for Complex Signals

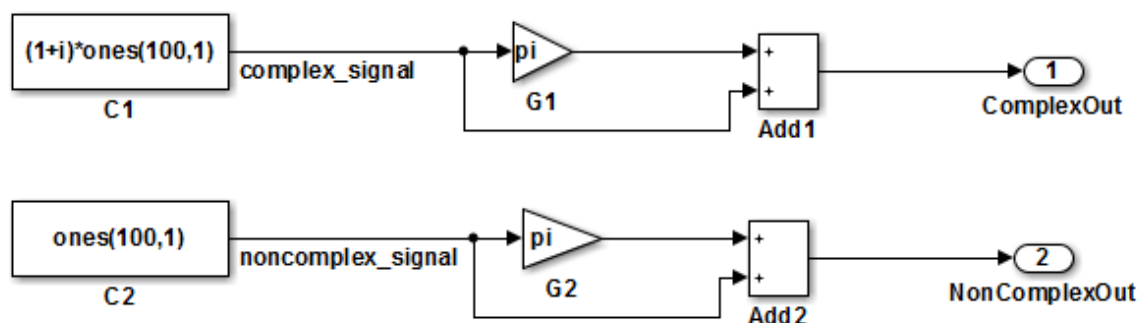
This example shows how Simulink Coder handles complex signals efficiently. To view the data types of the signals, update the model using **Simulation > Update Diagram**. Complex signals are represented as structures in generated code. Simulink Coder performs various optimizations on these structures. For example:

- Expression Folding: Gain and Sum operations on the complex signal are folded into a single expression.
- For-loop fusion: Two separate for-loops, one for the complex signal and one for noncomplex signal, are combined into a single for-loop.
- Inlined block parameters: The value of Gain block "pi" is inlined in the expression of the complex Gain-Sum.

Because of optimizations such as these, the code generated for complex and noncomplex signals is equally efficient.

### Example Model

```
model='rtwdemo_complex';  
open_system(model);
```



This model shows how Simulink Coder handles complex signals efficiently. To view the data types of the signals, update the model using Simulation > Update Diagram. Complex signals are represented as structures in generated code. Simulink Coder performs various optimizations on these structures. For example,

- o Expression folding: Gain and Sum operations on the complex signal are folded into a single expression.
- o For-loop fusion: Two separate for-loops, one for the complex signal and one for the noncomplex signal, are combined into a single for-loop.
- o Inlined block parameters: The value of Gain block "pi" is inlined in the expression of the complex Gain-Sum.

Because of optimizations such as these, the code generated for complex and noncomplex signals is equally efficient.

Generate Code Using  
Simulink Coder  
(double-click)

Generate Code Using  
Embedded Coder  
(double-click)

Copyright 1994-2012 The MathWorks, Inc.

## Speed Up Linear Algebra in Code Generated from a MATLAB Function Block

To improve the execution speed of code generated for certain linear algebra functions in a MATLAB Function block, specify that the code generator produce LAPACK calls. LAPACK is a software library for numerical linear algebra. The code generator uses the LAPACKE C interface to LAPACK. If you specify that you want to generate LAPACK calls, and the input arrays for the linear algebra functions meet certain criteria, the code generator produces the LAPACK calls. Otherwise, the code generator produces code for the linear algebra functions.

The code generator uses the LAPACK library that you specify. Specify a LAPACK library that is optimized for your execution environment. See [www.netlib.org/lapack/faq.html#\\_what\\_and\\_where\\_are\\_the\\_lapack\\_vendors\\_implementations](http://www.netlib.org/lapack/faq.html#_what_and_where_are_the_lapack_vendors_implementations).

### Specify LAPACK Library

To generate LAPACK calls, you must have access to a LAPACK callback class. A LAPACK callback class specifies the LAPACK library and LAPACKE header file for the LAPACK calls. To indicate that you want to generate LAPACK calls and that you want to use a specific LAPACK library, specify the name of the LAPACK callback class. In the Configuration Parameters dialog box, in the **Code Generation** category, on the **All Parameters** tab, set **Custom LAPACK library callback** to the name of the callback class, for example, `useMyLAPACK`.

### Write LAPACK Callback Class

To specify the locations of a particular LAPACK library and LAPACKE header file, write a LAPACK callback class. Share the callback class with others who want to use this LAPACK library for LAPACK calls in generated code.

The callback class must derive from the abstract class `coder.LAPACKCallback`. Use the following example callback class as a template.

```
classdef useMyLAPACK < coder.LAPACKCallback
    methods (Static)
        function hn = getHeaderFilename()
            hn = 'mylapacke_custom.h';
        end
    end
end
```

```

function updateBuildInfo(buildInfo, buildctx)
    buildInfo.addIncludePaths(fullfile(pwd, 'include'));
    libName = 'mylapack';
    libPath = fullfile(pwd, 'lib');
    [~, linkLibExt] = buildctx.getStdLibInfo();
    buildInfo.addLinkObjects([libName linkLibExt], libPath, ...
        '', true, true);
    buildInfo.addDefines('HAVE_LAPACK_CONFIG_H');
    buildInfo.addDefines('LAPACK_COMPLEX_STRUCTURE');
end
end
end

```

You must provide the `getHeaderFilename` and `updateBuildInfo` methods. The `getHeaderFilename` method returns the LAPACK header file name. In the example callback class, replace `mylapack_custom.h` with the name of your LAPACK header file. The `updateBuildInfo` method provides the information required for the build process to link to the LAPACK library. Use code like the code in the template to specify the location of header files and the full path name of the LAPACK library. In the example callback class, replace `mylapack` with the name of your LAPACK library.

If your compiler supports only complex data types that are represented as structures, include these lines in the `updateBuildInfo` method.

```

buildInfo.addDefines('HAVE_LAPACK_CONFIG_H');
buildInfo.addDefines('LAPACK_COMPLEX_STRUCTURE');

```

## Generate LAPACK Calls by Specifying a LAPACK Callback Class

This example shows how to generate code that calls LAPACK functions in a specific LAPACK library. For this example, assume that the LAPACK callback class `useMyLAPACK` specifies the LAPACK library that you want.

- 1 Create a Simulink model.
- 2 Add a MATLAB Function block to the model.
- 3 In the MATLAB Function block, add code that calls a linear algebra function. For example, add the function `mysvd` that calls the MATLAB function `svd`.

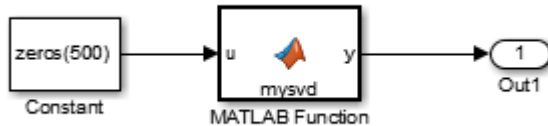
```

function s = mysvd(A)
    %#codegen
    s = svd(A);
end

```



- 4 Add a **Constant** block to the left of the **MATLAB Function** block. Set the value to `zeros(500)`.
- 5 Add an **Outport** block to the right of the **MATLAB Function** block.
- 6 Connect the blocks.



- 7 In the Configuration Parameters dialog box, in the **Code Generation** category, on the **All Parameters** tab, set **Custom LAPACK library callback** to `useMyLAPACK`.

The callback class must be on the MATLAB path.

- 8 Build the model.

If the input to `mysvd` is large enough, the code generator produces a LAPACK call for `svd`. Here is an example of a call to the LAPACK library function for `svd`.

```
info_t = LAPACKE_dgesvd(LAPACK_COL_MAJOR, 'N', 'N', (lapack_int)500,
    (lapack_int)500, &A[0], (lapack_int)500, &S[0], NULL, (lapack_int)1, NULL,
    (lapack_int)1, &superb[0]);
```

## Locate LAPACK Library in Execution Environment

The LAPACK library must be available in your execution environment. If your LAPACK library is shared, use environment variables or linker options to specify the location of the LAPACK library.

- On a Windows platform, modify the `PATH` environment variable.
- On a Linux platform, modify the `LD_LIBRARY_PATH` environment variable or use the `rpath` linker option.
- On a Mac OS X, modify the `DYLD_LIBRARY_PATH` environment variable or use the `rpath` linker option.

To specify the `rpath` linker option, you can use the build information `addLinkFlags` method in the `updateBuildInfo` method of your `Coder.LAPACKCallback` class. For example, for a GCC compiler:

```
buildInfo.addLinkFlags(sprintf('-Wl,-rpath,"%s"', libPath));
```

## **See Also**

`coder.LAPACKCallback`

## **More About**

- “LAPACK Calls for Linear Algebra in a MATLAB Function Block”

## **External Websites**

- [www.netlib.org/lapack](http://www.netlib.org/lapack)
- [www.netlib.org/lapack/faq.html#\\_what\\_and\\_where\\_are\\_the\\_lapack\\_vendors\\_implementations](http://www.netlib.org/lapack/faq.html#_what_and_where_are_the_lapack_vendors_implementations)

## Optimize Memory Usage for Time Counters

This example shows how to optimize the amount of memory that the code generator allocates for time counters. The example optimizes the memory that stores elapsed time, the interval of time between two events.

The code generator represents time counters as unsigned integers. The word size of time counters is based on the setting of the model configuration parameter **Application lifespan**, which specifies the expected maximum duration of time the application runs. You can use this parameter to prevent time counter overflows. The default size is 64 bits.

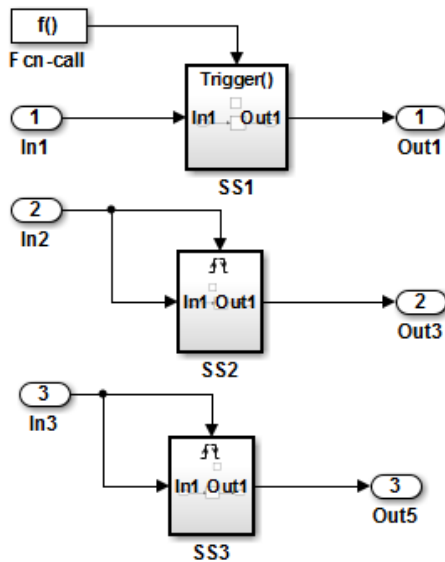
The number of bits that a time counter uses depends on the setting of the **Application lifespan (days)** parameter. For example, if a time counter increments at a rate of 1 kHz, to avoid an overflow, the counter has the following number of bits:

- Lifespan < 0.25 sec: 8 bits
- Lifespan < 1 min: 16 bits
- Lifespan < 49 days: 32 bits
- Lifespan > 50 days: 64 bits

A 64-bit time counter does not overflow for 590 million years.

### Open Example Model

Open the example model `rtwdemo_abstime`.



SS1 is clocked at 1 kHz, and contains a discrete-time integrator that requires elapsed time to compute its output. However, a counter is not required to compute elapsed time since the trigger port 'Sample time type' is set to 'periodic.' Instead, time is inlined as 1 kHz.

SS2 is clocked at 100 Hz, and contains a discrete-time integrator that requires elapsed time to compute its output. Since the application life span of the model is 1 day, a 32-bit counter is required to compute elapsed time for SS2.

SS3 is clocked at 0.5 Hz, and contains a discrete-time integrator that requires elapsed time to compute its output. Since the application life span of the model is 1 day, a 16-bit counter is required to compute elapsed time for SS3.

Simulink Coder optimizes how counters are employed to measure absolute and elapsed time:

- o Time is computed from unsigned integer counters.
- o Only tasks that require time are allocated a counter.
- o Elapsed time is computed by a subsystem if and only if a block in its hierarchy requires elapsed time.
- o Time is shared by all blocks within a triggered hierarchy.

Simulink Coder further optimizes counters based on the option "Application life span," whereby the number of bits used for a particular counter is optimized based on how long the application will run.

Did you know ...

Display Sample Time Colors (double-click)

Generate Code Using Simulink Coder (double-click)

Generate Code Using Embedded Coder (double-click)

Copyright 1994-2012 The MathWorks, Inc.

The model consists of three subsystems SS1, SS2, and SS3. On the **All Parameters** tab, the **Application lifespan** parameter is set to the default, which is `inf` for a GRT system target file and 1 for an ERT system target file.

The three subsystems contain a discrete-time integrator that requires elapsed time as input to compute its output value. The subsystems vary as follows:

- SS1 - Clocked at 1 kHz. Does not require a time counter. **Sample time type** parameter for trigger port is set to **periodic**. Elapsed time is inlined as 0.001.
- SS2 - Clocked at 100 Hz. Requires a time counter. Based on a lifespan of 1 day, a 32-bit counter stores the elapsed time.
- SS3 - Clocked at 0.5 Hz. Requires a time counter. Based on a lifespan of 1 day, a 16-bit counter stores the elapsed time.

### Simulate the Model

Simulate the model. By default, the model is configured to show sample times in different colors. Discrete sample times for the three subsystems appear red, green, and blue. Triggered subsystems are blue-green.

### Generate Code and Report

1. Create a temporary folder for the build and inspection process.
2. Configure the model for the code generator to use the GRT system target file and a lifespan of `inf` days.
3. Build the model.

```
### Starting build procedure for model: rtwdemo_abstime
### Successful completion of build procedure for model: rtwdemo_abstime
```

### Review Generated Code

Open the generated source file `rtwdemo_abstime.c`.

```
struct tag_RTM_rtwdemo_abstime_T {
    const char_T *errorStatus;

    /*
     * Timing:
     * The following substructure contains information regarding
     * the timing information for the model.
     */
    struct {
```

```

uint32_T clockTick1;
uint32_T clockTickH1;
uint32_T clockTick2;
uint32_T clockTickH2;
struct {
    uint16_T TID[3];
    uint16_T cLimit[3];
} TaskCounters;
} Timing;
};

```

Four 32-bit unsigned integers, `clockTick1`, `clockTickH1`, `clockTick2`, and `clockTickH2` are counters for storing the elapsed time of subsystems SS2 and SS3.

### Enable Optimization and Regenerate Code

1. Reconfigure the model to set the lifespan to 1 day.
2. Build the model.

```

### Starting build procedure for model: rtwdemo_abstime
### Successful completion of build procedure for model: rtwdemo_abstime

```

### Review the Regenerated Code

```

struct tag_RTM_rtwdemo_abstime_T {
    const char_T *errorStatus;

    /*
     * Timing:
     * The following substructure contains information regarding
     * the timing information for the model.
     */
    struct {
        uint32_T clockTick1;
        uint16_T clockTick2;
        struct {
            uint16_T TID[3];
            uint16_T cLimit[3];
        } TaskCounters;
    } Timing;
};

```

The new setting for the **Application lifespan** parameter instructs the code generator to set aside less memory for the time counters. The regenerated code includes:

- 32-bit unsigned integer, `clockTick1`, for storing the elapsed time of the task for **SS2**
- 16-bit unsigned integer, `clockTick2`, for storing the elapsed time of the task for **SS3**

#### **Related Information**

- “Optimization Pane: General”
- “Use Timers in Asynchronous Tasks”
- “Time-Based Scheduling and Code Generation”

## Minimize Memory Requirements During Code Generation

When the Simulink Coder product generates code, it creates an partial representation of your model (called *model.rtw*), which the Target Language Compiler parses to transform block computations, parameters, signals, and constant data into a high-level language, (for example, C). Parameters and data are normally copied into the *model.rtw* file, whether they originate in the model itself or come from variables or objects in a workspace.

Models which have large amounts of parameter and constant data (such as lookup tables) can tax memory resources and slow down code generation because of the need to copy their data to *model.rtw*. You can improve code generation speed by limiting the size of data that is copied by using a `set_param` command, described below.

Data vectors such as those for parameters, lookup tables, and constant blocks whose sizes exceed a specified value are not copied into the *model.rtw* file. In place of the data vectors, the code generator places a special reference key in the *model.rtw* file that enables the Target Language Compiler to access the data directly from the Simulink software and format it directly into the generated code. This results in maintaining only one copy of large data vectors in memory.

You can specify the maximum number of elements that a parameter or other data source can have for the code generator to represent it literally in the *model.rtw* file. Whenever this threshold size is exceeded, the product writes a reference to the data to the *model.rtw* file, rather than its values. The default threshold value is 10 elements, which you can verify with

```
get_param(0, 'RTWDataReferencesMinSize')
```

To set the threshold to a different value, type the following `set_param` function in the MATLAB Command Window:

```
set_param(0, 'RTWDataReferencesMinSize', <size>)
```

Provide an integer value for `size` that specifies the number of data elements above which reference keys are to be used in place of actual data values.



## Optimize Generated Code Using Boolean Data for Logical Signals

This example shows how to optimize the generated code by storing logical signals as Boolean data. When you select the model configuration parameter **Implement logic signals as Boolean data (vs. double)**, blocks that generate logic signals output Boolean signals.

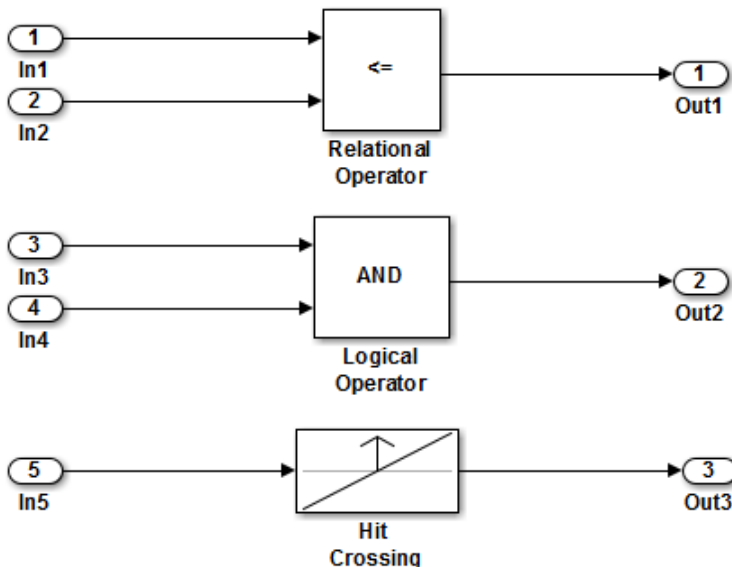
The optimization:

- Reduces the ROM and RAM consumption.
- Improves execution speed.

### Example Model

Consider the model `rtwdemo_logicalAsBoolean`. The outputs of the Relational Operator, Logical Operator and Hit Crossing blocks are double, even though they represent logical data.

```
model = 'rtwdemo_logicalAsBoolean';  
open_system(model);
```



Copyright 1994-2012 The MathWorks, Inc.

## Generate Code

Create a temporary folder (in your system temporary folder) for the build and inspection process.

```
currentDir = pwd;  
[~,cgDir] = rtwdemodir();
```

Build the model.

```
rtwbuild(model)
```

```
### Starting build procedure for model: rtwdemo_logicalAsBoolean  
### Successful completion of build procedure for model: rtwdemo_logicalAsBoolean
```

View the generated code without the optimization. These lines of code are in `rtwdemo_logicalAsBoolean.h`.

```
hfile = fullfile(cgDir, 'rtwdemo_logicalAsBoolean_ert_rtw', 'rtwdemo_logicalAsBoolean.h');  
rtwdemodbtype(hfile, '/* External outputs', '/* Parameters (auto storage) */', 1, 0);
```

```
/* External outputs (root outputs fed by signals with auto storage) */  
typedef struct {  
    real_T Out1;           /* '<Root>/Out1' */  
    real_T Out2;           /* '<Root>/Out2' */  
    real_T Out3;           /* '<Root>/Out3' */  
} ExtY_rtwdemo_logicalAsBoolean_T;
```

## Enable Optimization

- 1 Open the Configuration Parameters dialog box.
- 2 On the **All Parameters** tab, select **Implement logic signals as Boolean data (vs. double)**.

Alternatively, you can use the command-line API to enable the optimization:

```
set_param(model, 'BooleanDataType', 'on');
```

## Generate Code with Optimization

The generated code stores the logical signal output as Boolean data.

Build the model.

```
rtwbuild(model)
```

```
### Starting build procedure for model: rtwdemo_logicalAsBoolean
```

```
### Successful completion of build procedure for model: rtwdemo_logicalAsBoolean
```

View the generated code with the optimization. These lines of code are in `rtwdemo_logicalAsBoolean.h`.

```
rtwdemodbtype(hfile, '/* External outputs', '/* Parameters (auto storage) */', 1, 0);
```

```
/* External outputs (root outports fed by signals with auto storage) */  
typedef struct {  
    boolean_T Out1;           /* '<Root>/Out1' */  
    boolean_T Out2;           /* '<Root>/Out2' */  
    boolean_T Out3;           /* '<Root>/Out3' */  
} ExtY_rtwdemo_logicalAsBoolean_T;
```

Close the model and code generation report.

```
bdclose(model)  
rtwdemoclean;  
cd(currentDir)
```

## Reduce Memory Usage for Boolean and State Configuration Variables

- 1 Open the Model Configuration Parameters dialog box.
- 2 In the Model Configuration Parameters dialog box, select the **Optimization > Stateflow** pane.
- 3 Choose from these options:
  - **Use bitsets for storing state configuration** — Reduces the amount of memory that stores state configuration variables. However, it can increase the amount of memory that stores target code if the target processor does not include instructions for manipulating bitsets.
  - **Use bitsets for storing Boolean data** — Reduces the amount of memory that stores Boolean variables. However, it can increase the amount of memory that stores target code if the target processor does not include instructions for manipulating bitsets.

---

**Note:** You cannot use bitsets when you generate code for these cases:

- An external mode simulation
  - A target that specifies an explicit structure alignment
-

## Customize Stack Space Allocation

Your application might be constrained by limited memory. Controlling the maximum allowable size for the stack is one way to modify whether data is defined as local or global in the generated code. You can limit the use of stack space by specifying a positive integer value for the “Maximum stack size (bytes)” parameter, on the **Optimization > Signals and Parameters** pane of the Configuration parameter dialog box. Specifying the maximum allowable stack size provides control over the number of local and global variables in the generated code. Specifically, lowering the maximum stack size might generate more variables into global structures. The number of local and global variables help determine the required amount of stack space for execution of the generated code.

The default setting for “Maximum stack size (bytes)” is `Inherit from target`. In this case, the value of the maximum stack size is the smaller value of the following: the default value set by the Simulink Coder software (200,000 bytes) or the value of the TLC variable `MaxStackSize` found in the system target file (`ert.tlc`).

To specify a smaller stack size for your application, select the `Specify a value` option of the **Maximum stack size (bytes)** parameter and enter a positive integer value. To specify a smaller stack size at the command line, use:

```
set_param(model_name, 'MaxStackSize', 65000);
```

---

**Note:** For overall executable stack usage metrics, you might want to do a target-specific measurement, such as using runtime (empirical) analysis or static (code path) analysis with object code.

---

It is recommended that you use the **Maximum stack size (bytes)** parameter to control stack space allocation instead of modifying the TLC variable, `MaxStackSize`, in the system target file. However, a target author might want to set the TLC variable, `MaxStackSize`, for a target. To set `MaxStackSize`, use `assign` statements in the system target file (`ert.tlc`), as in the following example.

```
%assign MaxStackSize = 4096
```

Write your `%assign` statements in the `Configure RTW code generation settings` section of the system target file. The `%assign` statement is described in “Target Language Compiler”.

## Optimize Generated Code Using `memset` Function

This example shows how to optimize the generated code by using the `memset` function to clear the internal storage. When you select the model configuration parameter **Use `memset` to initialize floats and doubles to 0.0**, the `memset` function clears internal storage, regardless of type, to the integer bit pattern 0 (that is, all bits are off).

If your compiler and target CPU both represent floating-point zero with the integer bit pattern 0, consider setting this parameter to gain execution and ROM efficiency.

**NOTE:** The command-line values are the reverse of the settings values. 'on' in the command line corresponds to clearing the setting. 'off' in the command line corresponds to selecting the setting.

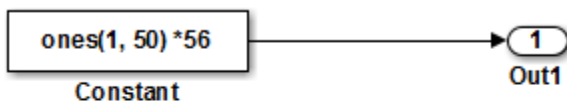
This optimization:

- Reduces ROM consumption.
- Improves execution speed.

### Example Model

Consider the model `matlab:rtwdemo_memset`.

```
model = 'rtwdemo_memset';  
open_system(model);
```



Copyright 2014 The MathWorks, Inc.

### Generate Code

The code generator uses a loop to initialize the `Constant` block values.

Create a temporary folder (in your system temporary folder) for the build and inspection process.

```
currentDir = pwd;
[~,cgDir] = rtwdemodir();
```

Build the model.

```
rtwbuild(model)
```

```
### Starting build procedure for model: rtwdemo_memset
### Successful completion of build procedure for model: rtwdemo_memset
```

View the generated code without the optimization. These lines of code are in `rtwdemo_memset.c`.

```
cfile = fullfile(cgDir,'rtwdemo_memset_grt_rtw','rtwdemo_memset.c');
rtwdemodbtype(cfile,'/* Model initialize function */',...
    '/* Model terminate function */',1,0);
```

```
/* Model initialize function */
void rtwdemo_memset_initialize(void)
{
    /* Registration code */

    /* initialize error status */
    rtmSetErrorStatus(rtwdemo_memset_M, (NULL));

    /* external outputs */
    {
        int32_T i;
        for (i = 0; i < 50; i++) {
            rtwdemo_memset_Y.Out1[i] = 0.0;
        }
    }

    {
        int32_T i;

        /* ConstCode for Outport: '<Root>/Out1' */
        for (i = 0; i < 50; i++) {
            rtwdemo_memset_Y.Out1[i] = 56.0;
        }

        /* End of ConstCode for Outport: '<Root>/Out1' */
    }
}
```

### Enable Optimization

- 1 Open the Configuration Parameters dialog box.
- 2 On the **All Parameters** tab, select **Use memset to initialize floats and doubles to 0.0**.

Alternatively, you can use the command-line API to enable the optimization:

```
set_param(model, 'InitFltsAndDblsToZero', 'off');
```

### Generate Code with Optimization

The code generator uses the `memset` function to initialize the **Constant** block values.

Build the model.

```
rtwbuild(model)
```

```
### Starting build procedure for model: rtwdemo_memset  
### Successful completion of build procedure for model: rtwdemo_memset
```

View the generated code with the optimization. These lines of code are in `rtwdemo_memset.c`.

```
rtwdemodbtype(cfile, '/* Model initialize function */', ...  
             '/* Model terminate function */', 1, 0);
```

```
/* Model initialize function */  
void rtwdemo_memset_initialize(void)  
{  
    /* Registration code */  
  
    /* initialize error status */  
    rtmSetErrorStatus(rtwdemo_memset_M, (NULL));  
  
    /* external outputs */  
    (void) memset(&rtwdemo_memset_Y.Out1[0], 0,  
                50U*sizeof(real_T));  
  
    {  
        int32_T i;  
  
        /* ConstCode for Output: '<Root>/Out1' */  
        for (i = 0; i < 50; i++) {
```



```
        rtwdemo_memset_Y.Out1[i] = 56.0;
    }

    /* End of ConstCode for Outport: '<Root>/Out1' */
}
}
```

Close the model and the code generation report.

```
bdclose(model)
rtwdemoclean;
cd(currentDir)
```

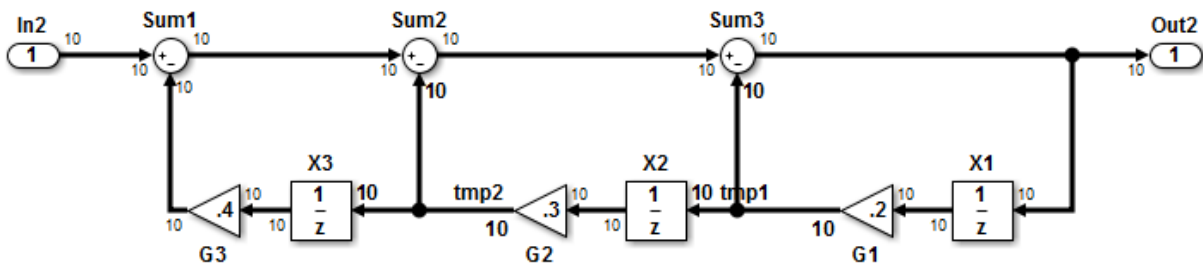
## Vector Operation Optimization

This example shows how Simulink® Coder™ optimizes generated code by setting block output that generates vectors to scalars, for blocks such as the Mux, Sum, Gain, and Bus. This optimization reduces stack memory by replacing temporary local arrays with local variables.

### Example Model

In the model, `rtwdemo_VectorOptimization`, the output of Gain blocks G1 and G2 are the vector signals `tmp1` and `tmp2`. These vectors have a width of 10.

```
model = 'rtwdemo_VectorOptimization';
open_system(model);
set_param(model, 'SimulationCommand', 'update')
```



Copyright 2014 The MathWorks, Inc.

### Generate Code

Create a temporary folder (in your system temporary folder) for the build and inspection process.

```
currentDir = pwd;
[~,cgDir] = rtwmoddir();
```

Build the model.

```
rtwbuild(model)
```

```
### Starting build procedure for model: rtwdemo_VectorOptimization
### Successful completion of build procedure for model: rtwdemo_VectorOptimization
```

The optimized code is in `rtwdemo_VectorOptimization.c`. The signals `tmp1` and `tmp2` are the local variables `rtb_tmp1` and `rtb_tmp2`.

```
cfile = fullfile(cgDir, 'rtwdemo_VectorOptimization_grt_rtw', ...
    'rtwdemo_VectorOptimization.c');
rtwdemodbtype(cfile, '/* Model step', '/* Model initialize', 1, 0);

/* Model step function */
void rtwdemo_VectorOptimization_step(void)
{
    int32_T i;
    real_T rtb_tmp2;
    real_T rtb_tmp1;
    real_T rtb_Sum3;
    for (i = 0; i < 10; i++) {
        /* Gain: '<Root>/G2' incorporates:
         * UnitDelay: '<Root>/X2'
         */
        rtb_tmp2 = 0.3 * rtwdemo_VectorOptimization_DW.X2_DSTATE[i];

        /* Gain: '<Root>/G1' incorporates:
         * UnitDelay: '<Root>/X1'
         */
        rtb_tmp1 = 0.2 * rtwdemo_VectorOptimization_DW.X1_DSTATE[i];

        /* Sum: '<Root>/Sum3' incorporates:
         * Gain: '<Root>/G3'
         * Inport: '<Root>/In2'
         * Sum: '<Root>/Sum1'
         * Sum: '<Root>/Sum2'
         * UnitDelay: '<Root>/X3'
         */
        rtb_Sum3 = ((rtwdemo_VectorOptimization_U.In2[i] - 0.4 *
            rtwdemo_VectorOptimization_DW.X3_DSTATE[i]) - rtb_tmp2) -
            rtb_tmp1;

        /* Outport: '<Root>/Out2' */
        rtwdemo_VectorOptimization_Y.Out2[i] = rtb_Sum3;

        /* Update for UnitDelay: '<Root>/X3' */
        rtwdemo_VectorOptimization_DW.X3_DSTATE[i] = rtb_tmp2;
    }
}
```

```
/* Update for UnitDelay: '<Root>/X2' */
rtwdemo_VectorOptimization_DW.X2_DSTATE[i] = rtb_tmp1;

/* Update for UnitDelay: '<Root>/X1' */
rtwdemo_VectorOptimization_DW.X1_DSTATE[i] = rtb_Sum3;
}
}
```

Close the model and code generation report.

```
bdclose(model)
rtwdemoclean;
cd(currentDir)
```

## Enable and Reuse Local Block Outputs in Generated Code

### In this section...

“Example Model” on page 26-93

“Generate Code Without Optimization” on page 26-94

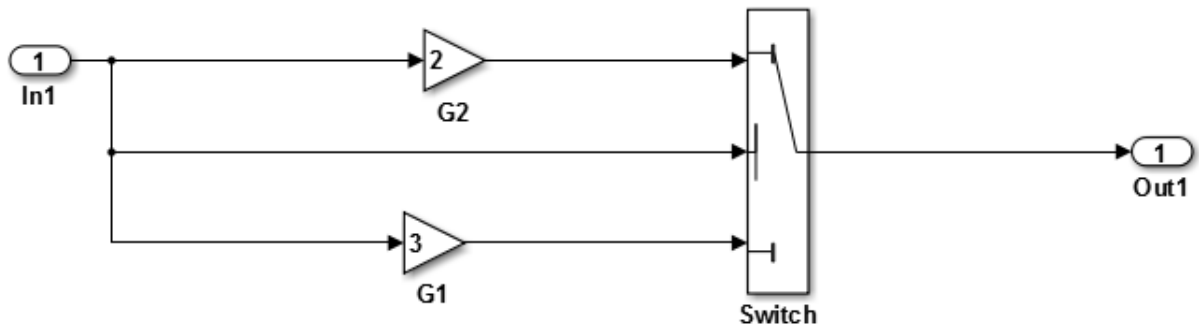
“Enable Local Block Outputs and Generate Code” on page 26-94

“Reuse Local Block Outputs and Generate Code” on page 26-95

This example shows how to specify block output as local variables. The code generator can potentially reuse these local variables in the generated code. Declaring block output as local variables conserves ROM consumption. Reusing local variables conserves RAM consumption and increases execution speed.

### Example Model

- 1 Use **Inport**, **Outport**, **Gain**, and **Switch** blocks to create the following model. In this example, the model is named `local_variable_ex`.



- 2 For G2, open the Gain Block Parameters dialog box. Enter a value of 2.
- 3 For G1, enter a value of 3.
- 4 For the Switch block, open the Block Parameters dialog box. For the **Criteria for passing first input** parameter, select `u2>=Threshold`.

## Generate Code Without Optimization

- 1 Open the Model Configuration Parameters dialog box. Select the **Solver** pane. For the **Type** parameter, select **Fixed-step**.
- 2 Select the **All Parameters** tab and clear **Signal Storage Reuse**.
- 3 Select the **Code Generation > Report** pane and select **Create code generation report**.
- 4 Select the **Code Generation** pane. Select **Generate code only**, and then, in the model window, press **Ctrl+B**. When code generation is complete, an HTML code generation report appears.
- 5 In the code generation report, select the `local_variable_ex.c` section and view the model step function. The Gain block outputs are the global variables `local_variable_ex_B.G2` and `local_variable_ex_B.G1`.

```
/* Model step function */
void local_variable_ex_step(void)
{
    /* Switch: '<Root>/Switch' incorporates:
     * Inport: '<Root>/In1'
     */
    if (local_variable_ex_U.In1 >= 0.0) {
        /* Gain: '<Root>/G2' */
        local_variable_ex_B.G2 = 2.0 * local_variable_ex_U.In1;

        /* Output: '<Root>/Out1' */
        local_variable_ex_Y.Out1 = local_variable_ex_B.G2;
    } else {
        /* Gain: '<Root>/G1' */
        local_variable_ex_B.G1 = 3.0 * local_variable_ex_U.In1;

        /* Output: '<Root>/Out1' */
        local_variable_ex_Y.Out1 = local_variable_ex_B.G1;
    }

    /* End of Switch: '<Root>/Switch' */
}
```

## Enable Local Block Outputs and Generate Code

- 1 Open the Model Configuration Parameters dialog box. On the **All Parameters** tab, select **Signal Storage Reuse**. **Signal Storage Reuse** enables the following optimization parameters:

- **Enable local block outputs**
  - **Reuse local block outputs**
  - **Eliminate superfluous local variables (expression folding)**
- 2** Clear **Reuse local block outputs** and **Eliminate superfluous local variables (expression folding)**.
  - 3** Generate code and view the model step function. There are three local variables in the model step function because you selected the optimization parameter **Enable Local Block Outputs**. The local variables `rtb_G2` and `rtb_G1` hold the outputs of the **Gain** blocks. The local variable `rtb_Switch` holds the output of the **Switch** block.

```

/* Model step function */
void local_variable_ex_step(void)
{
    real_T rtb_Switch;
    real_T rtb_G2;
    real_T rtb_G1;

    /* Switch: '<Root>/Switch' incorporates:
     * Inport: '<Root>/In1'
     */
    if (local_variable_ex_U.In1 >= 0.0) {
        /* Gain: '<Root>/G2' */
        rtb_G2 = 2.0 * local_variable_ex_U.In1;
        rtb_Switch = rtb_G2;
    } else {
        /* Gain: '<Root>/G1' */
        rtb_G1 = 3.0 * local_variable_ex_U.In1;
        rtb_Switch = rtb_G1;
    }

    /* End of Switch: '<Root>/Switch' */

    /* Output: '<Root>/Out1' */
    local_variable_ex_Y.Out1 = rtb_Switch;
}

```

## Reuse Local Block Outputs and Generate Code

- 1** Open the Model Configuration Parameters dialog box. On the **Optimization > Signals and Parameters** pane, select **Reuse local block outputs**.

- 2 Generate code. In the `local_variable_ex.c` section, view the model step function. There is one local variable, `rtb_G2`, that the code generator uses three times.

```
/* Model step function */
void local_variable_ex_step(void)
{
    real_T rtb_G2;

    /* Switch: '<Root>/Switch' incorporates:
     * Inport: '<Root>/In1'
     */
    if (local_variable_ex_U.In1 >= 0.0) {
        /* Gain: '<Root>/G2' */
        rtb_G2 = 2.0 * local_variable_ex_U.In1;
    } else {
        /* Gain: '<Root>/G1' */
        rtb_G2 = 3.0 * local_variable_ex_U.In1;
    }

    /* End of Switch: '<Root>/Switch' */

    /* Output: '<Root>/Out1' */
    local_variable_ex_Y.Out1 = rtb_G2;
}
```

## Related Examples

- “Signal Representation in Generated Code”



# Configuration

---

- “Configure Code Optimizations” on page 27-2
- “Specify Global Variable Localization” on page 27-5
- “Set Hardware Implementation Parameters” on page 27-6
- “Use External Mode with the ERT Target” on page 27-7

## Configure Code Optimizations

Several parameters available on the **Optimization** panes configure your model to optimize code generation. The following table includes parameters on the **Optimization > General** pane:

To...	Select or Specify...
Remove initialization code for root-level inports and outports with a value of zero.	Select “Optimize initialization code for model reference”.
Suppress the generation of code that initializes internal work structures (for example, block states and block outputs) to zero.	Select “Remove internal data zero initialization”.
Generate run-time initialization code for a block that has states only if the block is in a system that can reset its states, such as an enabled subsystem.	<p>Select “Optimize initialization code for model reference”. This results in more efficient code.</p> <p>The following restrictions apply to using the <b>Optimize initialization code for model reference</b> parameter. However, these restrictions do not apply to a Model block that references a function-call model.</p> <ul style="list-style-type: none"> <li>• In a subsystem that resets states, do not include a Model block that references a model that has this parameter set to <b>on</b>. For example, in an enabled subsystem with the <b>States when enabling</b> block parameter set to <b>reset</b>, do not include a Model block that references a model that has the <b>Optimize initialization code for model reference</b> parameter set to <b>on</b>.</li> <li>• If you set the <b>Optimize initialization code for model reference</b> parameter to <b>off</b> in a model that includes a Model block that directly references a referenced model, do not set the <b>Optimize initialization code for model reference</b> parameter for the referenced model to <b>on</b>.</li> </ul>
Remove wrapping code that handles out-of-range floating-point to integer conversion results.	Select “Remove code from floating-point to integer conversions that wraps out-of-range values”. This reduces the size and increases the speed of the

To...	Select or Specify...
	generated code at the cost of potentially producing results that do not match simulation in the case of out-of-range values.
Suppress generation of code that guards against fixed-point division by zero.	Select “Remove code that protects against division arithmetic exceptions”. When you select this parameter, simulation results and results from generated code may not be in bit-for-bit agreement.
To minimize the amount of memory allocated for absolute and elapsed time counters.	Specify an integer value for “Application lifespan (days)”. For more information on the allocation and operation of absolute and elapsed timers, see “Absolute and Elapsed Time Computation”, “Use Timers in Asynchronous Tasks”, and “Control Memory Allocation for Time Counters” in the Simulink Coder documentation.

The following table includes optimization parameters on the **Optimization > Signals and Parameters** pane:

To...	Select or Specify...
Control whether parameter data for reusable subsystems is generated in a separate header file for each subsystem or in a single parameter data structure	Select <b>Hierarchical</b> or <b>NonHierarchical</b> for “Parameter structure”.
Store Boolean signals as one-bit bitfields instead of as a Boolean data type	Select “Pack Boolean data into bitfields”. Selecting this parameter enables the “Bitfield declarator type specifier”. To optimize your code further, select <b>uchar_T</b> , however this optimization benefit is dependent on your choice of target.
Pass each reusable subsystem output argument as an address of a local to reduce global memory usage and eliminate copying local variables back to global block I/O structures	Select <b>Individual arguments</b> for “Pass reusable subsystem outputs as”.

The following table includes optimization parameters on the **All Parameters** tab:

<b>To</b>	<b>Select or Specify...</b>
<p>Generate additional code to set float and double storage explicitly to value 0.0.</p>	<p>Select “Use memset to initialize floats and doubles to 0.0”. When you set this parameter, the <code>memset</code> function clears internal storage, regardless of type, to the integer bit pattern 0 (that is, all bits are off).</p> <p>If your compiler and target CPU both represent floating-point zero with the integer bit pattern 0, consider selecting this parameter to gain execution and ROM efficiency.</p>
<p>Replace multiply operations in array indices when accessing arrays in a loop</p>	<p>Select “Simplify array indexing”.</p>

## Specify Global Variable Localization

When you generate code for a model, the code generator can optimize variable references by replacing global variables with local variables. Replacing global variables with local variables improves execution speed and reduces RAM/ROM. Creating more local variables can increase stack usage.

Some of the global variables that the code generator can localize include:

- Global signals that cross subsystem boundaries.
- Global signals across Simulink and Stateflow domains.
- Unused global state variables.
- Redundant local Data Store Memory block signals.

To enable the global variable localization analysis:

- 1** In the Configuration Parameters dialog box, on the **Code Generation** pane, in the **System target file** box, specify an ERT target.
- 2** Verify that the `OptimizeBlockIOStorage` parameter is set to 'on':

```
>> get_param(gcs, 'OptimizeBlockIOStorage')
ans =
     on
```

- 3** Verify that `AdvancedOptControl` is not set to '-SLCI':

```
>> get_param(gcs, 'AdvancedOptControl')
ans =
     ''
```

- 4** Set the storage class for signals to `Auto`.

The code generator does not localize global variables for MATLAB system objects or AUTOSAR.

## Set Hardware Implementation Parameters

Specification of target hardware device characteristics (such as word sizes for `char`, `short`, `int`, and `long` data types, or desired rounding behaviors in integer operations) for generated code can be critical in embedded systems development. The **Hardware Implementation** category of parameters in a configuration set provides a way to control such characteristics in simulation and code generation.

By configuring the **Hardware Implementation** parameters of the active configuration set for a model to match the behaviors of your compiler and hardware, you can generate more efficient code. For example, if you specify the **Byte ordering** parameter, you can avoid generation of extra code that tests the byte ordering of the target CPU.

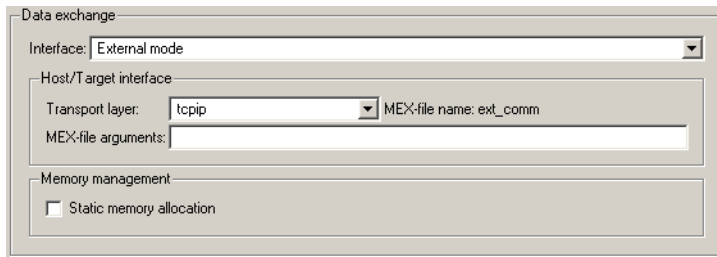
Before generating and deploying code, get familiar with the **Hardware Implementation** pane of the Configuration Parameters dialog box. By default, target hardware microprocessor device details are hidden. To view the details, click the **Device details** arrow. See “Hardware Implementation Pane” in the Simulink documentation and “Platform Options for Development and Deployment” in the Simulink Coder documentation for more information.

You can use the example “Configure Target Hardware Characteristics” to determine characteristics of your C or C++ compiler and target hardware. By using the example model with your target development system and debugger, you can observe the behavior of the code as it executes on the target hardware. You can then use the information to refine hardware target device parameters for your model.

## Use External Mode with the ERT Target

Selecting the **External mode** option turns on generation of code to support external mode communication between host (Simulink) and target systems. The Embedded Coder software supports Simulink external mode features, as described in the Simulink Coder topic “Set Up and Use Host/Target Communication Channel”.

This section discusses external mode options that may be of special interest to embedded systems designers. The next figure shows the **Data Exchange** subpane of the Configuration Parameters dialog box, **Interface** pane, with **External mode** selected.



### Memory Management

Consider the **Memory management** option **Static memory allocation** before generating external mode code for an embedded target. Static memory allocation is generally desirable, as it reduces overhead and promotes deterministic performance.

When you select the **Static memory allocation** option, static external mode communication buffers are allocated in the target application. When **Static memory allocation** is deselected, communication buffers are allocated dynamically (with `malloc`) at run time.

## Generation of Pure Integer Code with External Mode

The Embedded Coder software supports generation of pure integer code when external mode code is generated. To do this, select the **External mode** option, and deselect the **Support floating-point numbers** option in the **Software environment** section of the **Interface** pane.

This enhancement lets you generate external mode code that is free of storage definitions of double or float data type, and allows your code to run on integer-only processors

If you intend to generate pure integer code with **External mode** on, note the following requirements:

- All trigger signals must be of data type `int32`. Use a **Data Type Conversion** block if needed.
- When pure integer code is generated, the simulation stop time specified in the **Solver** options is ignored. To specify a stop time, run your target application from the MATLAB command line and use the `-tf` option. (See “Run the External Program” in the Simulink Coder documentation.) If you do not specify this option, the application executes indefinitely (as if the stop time were `inf`).

When executing pure integer target applications, the stop time specified by the `-tf` command line option is interpreted as the number of base rate ticks to execute, rather than as an elapsed time in seconds. The number of ticks is computed as

```
stop time in seconds / base rate step size in seconds
```



# Code Execution Profiling

---

- “Code Execution Profiling for SIL and PIL” on page 28-2
- “Configure Code Execution Profiling for SIL and PIL” on page 28-4
- “Execution Profiling for Atomic Subsystems and Model Reference Hierarchies” on page 28-6
- “View and Compare Code Execution Times” on page 28-8
- “Analyze Code Execution Data” on page 28-15
- “Tips and Limitations” on page 28-17

## Code Execution Profiling for SIL and PIL

During a software-in-the-loop (“About SIL and PIL Simulations” on page 36-3) or processor-in-the-loop (“About SIL and PIL Simulations” on page 36-3) simulation, you can produce a profile of execution times for tasks and functions in your generated code. The software calculates execution times from data that is obtained through instrumentation probes added to the SIL or PIL application or placed inside generated code.

Use the execution time profile to check whether your code runs in real time on your target hardware:

- If code execution overruns, look for ways to reduce execution time. For example:
  - 1 Identify tasks that require the most time.
  - 2 In these tasks, investigate whether trade-offs between functionality and speed are possible.
  - 3 Make the changes that reduce execution time.
- If your code easily meets real-time requirements, consider enhancing functionality to exploit the unused processing power.

---

**Note:** Tasks are main entry points into the generated code. For example, the step function for a sample rate or the `model_initialize` function.

---

The software collects execution time measurements in a variable that you specify.

At the end of the SIL or PIL simulation, you can:

- View a report of code execution times.
- Use the Simulation Data Inspector to view and compare plots of function execution times.
- Analyze the measurements within the MATLAB environment.

### Related Examples

- “Configure Code Execution Profiling for SIL and PIL” on page 28-4
- “View and Compare Code Execution Times” on page 28-8

- “Analyze Code Execution Data” on page 28-15

## **More About**

- “Tips and Limitations” on page 28-17

## Configure Code Execution Profiling for SIL and PIL


To configure code execution profiling for a “About SIL and PIL Simulations” on page 36-3 or “About SIL and PIL Simulations” on page 36-3 simulation:

- 1 In your top model, open the Configuration Parameters dialog box, and select the **Code Generation > Verification** pane.
- 2 Select the **Measure task execution time** check box.
- 3 If you also want function execution times, select the **Measure function execution times** check box.
- 4 In the **Workspace variable** field, specify a name. When you run the simulation, the software generates a variable with this name in the MATLAB base workspace. The variable contains the execution time measurements, and is an object of type `coder.profile.ExecutionTime`.

If you select the **Data Import/Export > Single simulation output** check box, the software creates the variable in the `Simulink.SimulationOutput` object that you specify.

- 5 From the **Save options** drop-down list, select one of the following:
  - **Summary data only** — If you want to generate only a report and reduce memory usage, for example, during a long simulation.
  - **All measurement and analysis data** — Allows you to generate a report and store execution time profiles in the base workspace. After the simulation, you can use methods from the `coder.profile.ExecutionTime` and `coder.profile.ExecutionTimeSection` classes to retrieve execution time measurements for every call to each profiled section of code that occurs during the simulation.
- 6 Click **OK**.

For a PIL simulation, you must configure a hardware-specific timer. When you set up the connectivity configuration for your target, create a timer object. This action is not required for a SIL simulation.

If you select **All measurement and analysis data** from the **Save options** drop-down list, the generated report displays Simulation Data Inspector icons . When you click one of these icons, the software imports simulation results into the Simulation Data Inspector. You can then plot execution times and manage and compare plots from various simulations.

## See Also

“Save options” | “Measure function execution times” | “Workspace variable” | “Measure task execution time”

## Related Examples

- “Execution Profiling for Atomic Subsystems and Model Reference Hierarchies” on page 28-6
- “View and Compare Code Execution Times” on page 28-8
- “Analyze Code Execution Data” on page 28-15
- “Create PIL Target Connectivity Configuration” on page 36-38
- “View and Analyze Simulation Results”

## More About

- “Code Execution Profiling for SIL and PIL” on page 28-2

## Execution Profiling for Atomic Subsystems and Model Reference Hierarchies

To generate execution data for tasks only, on the **Code Generation > Verification** pane of the Configuration Parameters dialog box, select the **Measure task execution time** check box and clear the **Measure function execution times** check box.

To generate function execution data for atomic subsystems in the top model, on the **Code Generation > Verification** pane, you must select the **Measure task execution time** and **Measure function execution times** check boxes.

The generation of function execution data requires the insertion of measurement probes into the generated code. The software inserts measurement probes for an atomic subsystem only if you set the **Function packaging** field (on the **Code Generation** tab of the Function Block Parameters dialog box) to either **Nonreusable function** or **Reusable function**. If the field is set to **Auto**, then the insertion of probes depends on the packaging choice that results from the **Auto** setting. If the field is set to **Inline**, the software does not insert probes.

---

**Note:** In the generated code, the software wraps each function call with measurement probes except when:

- The call site cannot be wrapped because of expression folding (see “Minimize Computations and Storage for Intermediate Results at Block Outputs”).
  - The call site is located in the shared utility code (see “Sharing Utility Code”).
- 

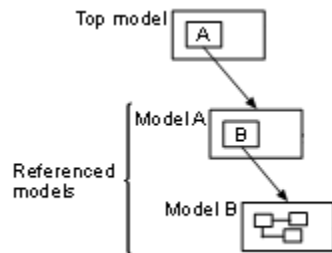
You might not want to generate profiles for specific subsystems. To disable code execution profiling for a subsystem in the top model:

- 1 Right-click the subsystem.
- 2 From the context menu, select **Properties**.
- 3 In the Block Properties dialog box, select the **General** tab.
- 4 In the **Tag** field, enter `DoNotProfile`.
- 5 Click **OK**.

To generate function execution data for model reference hierarchies:

- 1 In the top model, open the Configuration Parameters dialog box, and select the **Code Generation > Verification** pane.
- 2 Select the **Measure task execution time** check box.
- 3 For each **Model** block that you want to profile, select **Measure function execution times** only at the reference level for which you require function execution data.

For example, consider a top model that has **Model** block A, which in turn contains **Model** block B.



If you want to generate execution times for functions from model B, select **Measure task execution time** for the top model and **Measure function execution times** for model B.

---

**Note:** By default, the **Model** block parameter **Code interface** is set to **Model** reference. If this block parameter is set to **Top model**, the configuration parameter **Measure task execution time** for the top model and the referenced model must be the same. Otherwise, the software produces an error.

---

If your top model has a PIL block, the execution profiling settings that apply to the PIL block are the settings from the original model that you used to create the PIL block. See “Use a SIL or PIL Block” on page 36-13. The execution profiling settings of your top model do not apply to the PIL block.

## View and Compare Code Execution Times

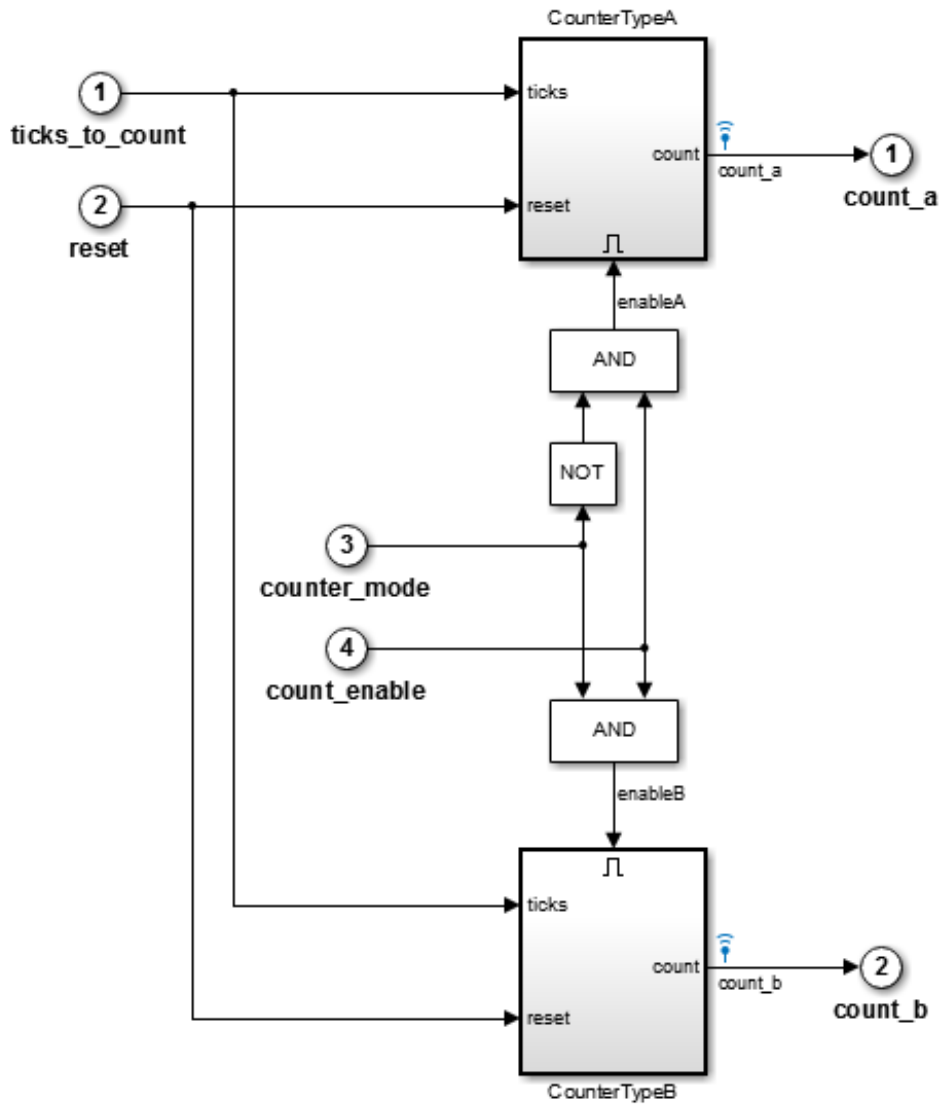
During a software-in-the-loop (SIL) or processor-in-the-loop (PIL) simulation, you can use the Simulation Data Inspector to observe streamed execution times.

At the end of the simulation, you can:

- Use `report` to open a report of code execution times.
- Use the Simulation Data Inspector to:
  - Plot execution times.
  - Manage and compare plots from various simulations.

Consider the model `rtwdemo_sil_topmodel`, which has two subsystems `CounterTypeA` and `CounterTypeB`.





To generate code execution times for the subsystems, on the **Configuration Parameters > Code Generation > Verification** pane:

- 1 Select the following check boxes:
  - Measure task execution time
  - Measure function execution times
- 2 Specify a **Workspace variable**, for example, `executionProfile`.
- 3 From the **Save options** drop-down list, select **All measurement and analysis data**.

When you run the simulation, the software generates the variable `executionProfile` in the MATLAB base workspace.

---

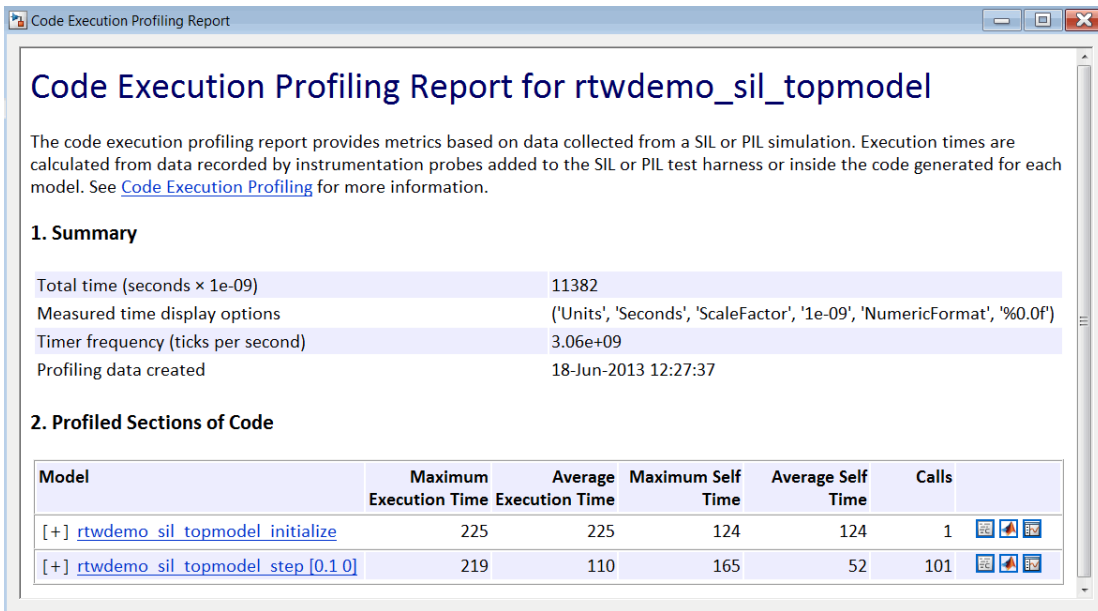
**Note:** If you select the **Data Import/Export > Single simulation output** check box, the software creates the variable in your specified `Simulink.SimulationOutput` object.

---

To view streamed execution times during the simulation, open the Simulation Data Inspector. On the Simulink Editor toolbar, click the Simulation Data Inspector button.

To display a code execution report after the simulation, in the Command Window, enter:

```
>> report(executionProfile)
```



Part 1 provides a summary. Part 2 contains information about profiled code sections.


You can expand and collapse profiled sections in Part 2 by clicking [+] and [-] respectively. The following graphic shows fully expanded sections.

## 2. Profiled Sections of Code

Model	Maximum Execution Time	Average Execution Time	Maximum Self Time	Average Self Time	Calls
[-] <a href="#">rtwdemo_sil_topmodel_initialize</a>	225	225	124	124	1
[-] <a href="#">CounterTypeA</a>	44	44	26	26	1
<a href="#">CounterTypeA</a>	18	18	18	18	1
[-] <a href="#">CounterTypeB</a>	56	56	41	41	1
<a href="#">CounterTypeB</a>	16	16	16	16	1
[-] <a href="#">rtwdemo_sil_topmodel_step [0.1 0]</a>	219	110	165	52	101
<a href="#">CounterTypeA</a>	46	36	46	36	101
<a href="#">CounterTypeB</a>	37	22	37	22	101

The report contains time measurements for:

- The model initialization function `rtwdemo_sil_topmodel_initialize`.
- A task represented by the step function `rtwdemo_sil_topmodel_step [0.1 0]`.
- Functions generated from the subsystems `CounterTypeA` and `CounterTypeB`.

You can go to a profiled code section in the Generated Code view of the Code Generation Report. In the Code Execution Profiling Report, on a code section row, click the icon . For example, if you click the icon in the `rtwdemo_sil_topmodel_initialize` row, you see the measurement probes around the call site in the SIL application.

```

59  XIL_INTERFACE_ERROR_CODE xilInitialize(uint32_T xilFcnId) {
60      XIL_INTERFACE_ERROR_CODE errorCode = XIL_INTERFACE_SUCCESS;
61      /* initialize output storage owned by In-the-Loop */
62      /* Single In-the-Loop Component */
63      if (xilFcnId == 0) {
64          PROFILE_START_TASK_SECTION(1U);
65          rtwdemo_sil_topmodel_initialize();
66          PROFILE_END_TASK_SECTION(1U);
67      }
68      else {
69          errorCode = XIL_INTERFACE_UNKNOWN_FCNIID;
70      }
71      return errorCode;
72  }


```

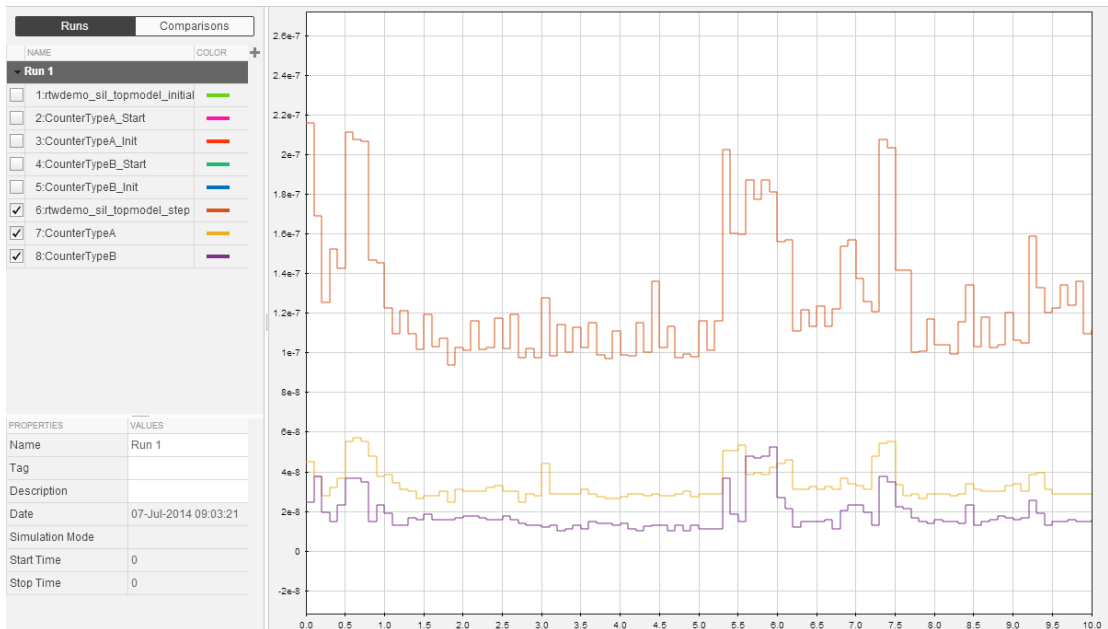
By default, the report displays time in nanoseconds ( $10^{-9}$  seconds). You can specify the time unit and numeric display format. For example, to display time in microseconds ( $10^{-6}$  seconds), use the following command:

```
>>report(executionProfile,'Units','Seconds','ScaleFactor','1e-06','NumericFormat','%0.3f')
```

The report displays time in seconds only if the timer is calibrated, that is, the number of timer ticks per second is known. On a Windows machine, the software automatically determines this value for a SIL simulation. On a Linux machine, you must manually calibrate the timer. For example, if your processor speed is 1 GHz, specify the number of timer ticks per second:

```
>>executionProfile.TimerTicksPerSecond = 1e9;
```




To display measured execution times for a task or function, click the Simulation Data Inspector icon  on the corresponding row. You can use the Simulation Data Inspector to manage and compare plots from various simulations.



**Note:** To observe how code sections are invoked over the execution timeline, use the **timeline** function.

The following table describes the information provided in the code section profiles.

Column	Description
Model	Name of task, top model, subsystem, or Model block. Click the link to go to the model.  With a task, the sample period and sample offset are listed next to the task name. For example, <i>rtwdemo_sil_topmodel_step [0.1 0]</i> indicates that the sample period is 0.1 seconds and the sample offset is 0.
Maximum Execution Time	Maximum time between start and end of function execution. Includes time spent in child functions.

Column	Description
Average Execution Time	Average time between start and end of execution. Includes time spent in child functions.
Maximum Self Time	Longest time spent in function. Excludes time spent in child functions.
Average Self Time	Average time spent in function. Excludes time spent in child functions.
Calls	Number of calls made to task or function.
	<p>Icon that you click in the Code Execution Profiling Report to see the profiled code section in the Generated Code view of the Code Generation Report. Code section can be a task or function.</p> <p>The specified workspace variable, for example, <code>executionProfile</code>, must be present in the base workspace.</p>
	<p>Icon that you click to display the profiled code section in the Command Window. Equivalent to executing the command <code>executionProfile.Sections(i)</code>.</p> <p>The specified workspace variable, for example, <code>executionProfile</code>, must be present in the base workspace.</p>
	<p>Icon that you click to display measured execution times with Simulation Data Inspector.</p> <p>The specified workspace variable, for example, <code>executionProfile</code>, must be present in the base workspace.</p>

## Related Examples

- “Analyze Code Execution Data” on page 28-15
- “Inspect Signal Data with Simulation Data Inspector”

## More About

- “Code Execution Profiling for SIL and PIL” on page 28-2
- “Tips and Limitations” on page 28-17

## Analyze Code Execution Data

After a SIL or PIL simulation, you can analyze execution time data using methods from the `coder.profile.ExecutionTime` and `coder.profile.ExecutionTimeSection` classes.

Consider the model `rtwdemo_sil_topmodel`. Specify the following profiling options, and then run a SIL simulation.

The screenshot shows a dialog box titled "Code profiling". It contains two checkboxes: "Measure task execution time" (checked) and "Measure function execution times" (unchecked). Below these is a text field for "Workspace variable" containing "myExecutionProfile" and a dropdown menu for "Save options" set to "All measurement and analysis data".

The software generates the workspace variable `myExecutionProfile`, an `coder.profile.ExecutionTime` object.

To get the total number of code sections that have profiling data, use the `Sections` method.

```
>> no_of_Sections = myExecutionProfile.Sections
```

```
no_of_Sections =
```

```
    2
```

```
>>
```

To get the `coder.profile.ExecutionTimeSection` object for a profiled code section, use the method `Sections`.

```
>> FirstSectionProfile = myExecutionProfile.Sections(1)
```

```
coder.profile.ExecutionTimeTaskSection
```

```
    Section name = rtwdemo_sil_topmodel_initialize
```

```
    Sample period = 0
```

```
    Sample offset = 0
```

```
>>
```

```
>> SecondSectionProfile = myExecutionProfile.Sections(2)
```

```
coder.profile.ExecutionTimeTaskSection
```

```
    Section name = rtwdemo_sil_topmodel_step [0.1 0]
```

```
    Sample period = 0.1
```

```
    Sample offset = 0
```

>>

Use `coder.profile.ExecutionTimeSection` methods to extract profiling information for a particular code section. For example, use `Name` to obtain the name of a profiled task.

```
>> name_of_section = SecondSectionProfile.Name
name_of_section =
rtwdemo_sil_topmodel_step [0.1 0]
>>
```

If the timer is uncalibrated and you know the timer rate, for example 2.2 GHz, you can use the `coder.profile.ExecutionTime` method `TimerTicksPerSecond` to calibrate the timer:

```
>> myExecutionProfile.TimerTicksPerSecond(2.2e9)
>> SecondSectionProfile = myExecutionProfile.Sections(2);
>>
```

## Related Examples

- “View and Compare Code Execution Times” on page 28-8

## More About

- “Code Execution Profiling for SIL and PIL” on page 28-2
- “Tips and Limitations” on page 28-17



## Tips and Limitations

### In this section...

“Triggered Model Block” on page 28-17

“Outliers in Execution Time Profiles” on page 28-17

“Hardware-Specific Timer” on page 28-19

“Task Context Switching Due to Preemption” on page 28-19

“Data Type Replacement Support” on page 28-20

“Subsystem Code Reuse” on page 28-20

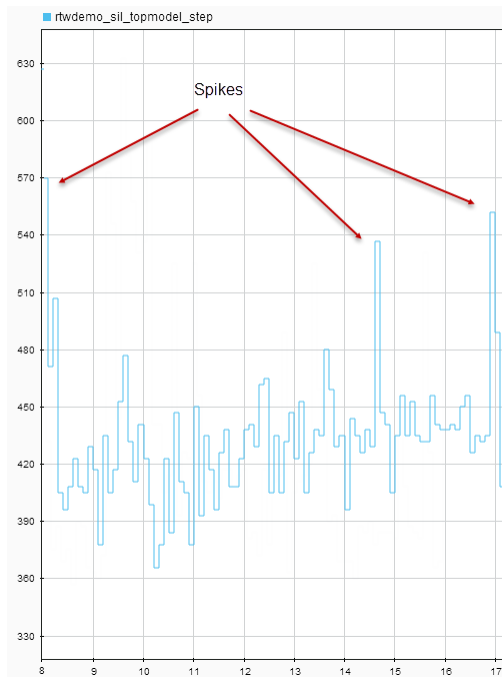
“Cannot Load Execution Time Measurements from Previous Release” on page 28-20

### Triggered Model Block

Consider the case where a triggered `Model` block is configured to run in the SIL or PIL simulation mode. The software generates one execution time measurement each time the referenced model is triggered to run. If there are multiple triggers in a single time step, the software generates multiple measurements for the triggered `Model` block. Conversely, if there is no trigger in a given time step, the software generates no time measurements.

### Outliers in Execution Time Profiles

When you run a SIL simulation with execution time profiling enabled, you might see spikes in execution time measurements.



The spikes are due to process preemption that occurs with a multitasking host operating system. If the operating system preempts the SIL process and runs another process, the measured execution time includes the time during which the SIL process is suspended. With a PIL simulation, you do not see spikes because code execution on the target is not preempted.

Counter wrapping produces execution time measurements that are smaller than expected. For SIL, the counter wraps when an execution time period is greater than  $2^{64}$  ticks ( $2^{32}$  ticks if the MEX compiler is LCC). For PIL, the wrapping point depends on the timer you specify and can be  $2^8$ ,  $2^{16}$ ,  $2^{32}$ , or  $2^{64}$  ticks.

Consider a PIL example where the timer frequency is 20 MHz. For a 32-bit timer, wrapping occurs when the execution time period is greater than  $1 / (20 \times 10^6) * (2^{32} - 1)$ , that is, 214.7 s. However, for a 16-bit timer, the point at which wrapping occurs is 0.0033 s.

For a real-time, multi-core application, the software accommodates synchronization discrepancies when recording timer values for different cores, which effectively reduces the timer measurement range.

## Hardware-Specific Timer

If your target configuration does not already specify a timer, you must specify one. To specify a timer, you must create a timer object that provides details of the hardware-specific timer and associated source files:

- For SIL simulation, the timer word length is determined by your MEX compiler. The word length is 64 bits, unless your selected MEX compiler is LCC. In this case, the word length is 32 bits.
- For PIL simulation, you can specify an 8-, 16-, 32-, or 64-bit timer.

## Task Context Switching Due to Preemption

Profiling instrumentation is intrusive and affects the quantity that it is meant to measure. Therefore, the design goal is to maximize code understanding with a minimum of instrumentation. For example, with a real-time system, there can be task context switches due to preemption. These context switches are not explicitly instrumented. To record the start and end of each task, the software must infer context switches from instrumentation. As a result, the software reports behavior that is an estimate. The estimate is subject to error because of incomplete instrumentation within the kernel.

In some cases, when the software cannot accurately determine behavior, the software generates a warning:

```
Warning: Analysis unsuccessful for one or more profiling data points. ...
For example, the software might generate this warning when not all mutex take system
calls (associated with rate transitions) are instrumented. In the case of Simulink Real-
Time, this situation might arise if you generate code for a model reference hierarchy
without enabling function profiling for all referenced models (set_param(model,
'CodeProfilingInstrumentation', 'on')). If a mutex take system call is not
instrumented, a task context switch might occur that is not visible to the execution
profiling analysis.
```

In other cases, although the software cannot accurately determine behavior, the software does *not* generate a warning.

## Data Type Replacement Support

Data type replacement does not support the measurement of function execution times. For your model, clear one of the following check boxes:

- **Configuration Parameters > Code Generation > Verification > Measure function execution times**
- **Configuration Parameters > Code Generation > Data Type Replacement > Replace data type names in the generated code**

## Subsystem Code Reuse

You cannot generate execution time profiles for function call sites within subsystem code that is reused across a model or multiple models. For information about subsystem code reuse, see “Code Reuse For Subsystems Shared Across Models”.

## Cannot Load Execution Time Measurements from Previous Release

You cannot load execution time measurements saved with a previous release. For example, using R2014a, you save workspace variables to a MAT-file. One of the workspace variables contains execution time measurements. In R2015b, if you try to load the MAT-file, you see this error:

```
Format of execution profiling data is invalid. This error can occur if you load data from a previous release. Loading data from a previous release is not supported.
```

# Code Execution Profiling for MATLAB Coder

---

- “Execution Time Profiling for SIL and PIL” on page 29-2
- “Generate Execution Time Profile” on page 29-3
- “View Execution Times” on page 29-4
- “Analyze Execution Time Data” on page 29-7

## Execution Time Profiling for SIL and PIL

During a software-in-the-loop (SIL) or processor-in-the-loop (PIL) execution, you can produce a profile of execution times for code generated from entry-point functions. The software calculates execution times from data that is obtained through instrumentation probes added to the SIL or PIL application.

Use the execution time profile to check whether your code runs within the required time on your target hardware:

- If code execution overruns, look for ways to reduce execution time.
- If your code easily meets time requirements, consider enhancing functionality to exploit the unused processing power.

At the end of the SIL or PIL execution, you can:

- View a report of code execution times.
- Use the Simulation Data Inspector to view and compare plots of function execution times.
- Access and analyze execution time profiling data.

---

**Note:** SIL and PIL execution supports multiple entry-point functions. An entry-point function can call another entry-point function as a subfunction. However, the software generates execution time profiles only for functions that are called at the entry-point level. The software does not generate execution time profiles for entry-point functions that are called as subfunctions by other entry-point functions.


---

### Related Examples

- “Generate Execution Time Profile” on page 29-3
- “View Execution Times” on page 29-4
- “Analyze Execution Time Data” on page 29-7

## Generate Execution Time Profile

Before running a software-in-the-loop (SIL) or processor-in-the-loop (PIL) execution, enable execution time profiling:

- 1 To open the MATLAB Coder app, on the MATLAB Toolstrip **Apps** tab, under **Code Generation**, click the app icon.
- 2 To open your project, click  and then click **Open existing project**. Select the project.
- 3 On the **Generate Code** page, click **Verify Code**.
- 4 Select the **Enable entry point execution profiling for SIL/PIL** check box.

Or, from the Command Window, specify the `CodeExecutionProfiling` property of your `coder.EmbeddedCodeConfig` object. For example:

```
config.CodeExecutionProfiling = true;
```

### Related Examples

- “Software-in-the-Loop Execution with the MATLAB Coder App” on page 38-4
- “Processor-in-the-Loop Execution with the MATLAB Coder App” on page 38-24
- “View Execution Times” on page 29-4
- “Analyze Execution Time Data” on page 29-7

### More About

- “Execution Time Profiling for SIL and PIL” on page 29-2

## View Execution Times

When you run a SIL or PIL execution with execution time profiling enabled, the software generates a message in the **Test Output** tab. For example:

```
Current plot held
### Starting SIL execution for 'kalman01'
   To terminate execution: clear kalman01_sil
   Execution profiling data is available for viewing. Open Simulation Data Inspector.
   Execution profiling report available after termination.
Current plot released
```

To observe streamed execution times while the execution runs, click the **Simulation Data Inspector** link.

To open the code execution profiling report:

- 1 Click the **Stop SIL Verification** link.

The software terminates the execution process and displays a new link.

```
### Stopping SIL execution for 'kalman01'
   Execution profiling report: report(getCoderExecutionProfile('kalman01'))
```

- 2 Click the new link.




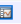


### Code Execution Profiling Report for kalman01

The code execution profiling report provides metrics based on data collected from a SIL or PIL execution. Execution times are calculated from data recorded by instrumentation probes added to the SIL or PIL test harness or inside the code generated for each component. See [Code Execution Profiling](#) for more information.

#### 1. Summary

Total time (seconds × 1e-09)	2206501
Measured time display options	('Units', 'Seconds', 'ScaleFactor', '1e-09', 'NumericFormat', '%0.0f')
Timer frequency (ticks per second)	3.06e+09
Profiling data created	01-Apr-2014 10:21:25

#### 2. Profiled Sections of Code

Section	Maximum Execution Time	Average Execution Time	Maximum Self Time	Average Self Time	Calls	
<a href="#">kalman01_initialize</a>	1076	1076	1076	1076	1	 
<a href="#">kalman01</a>	16009	7351	16009	7351	300	 
<a href="#">kalman01_terminate</a>	138	138	138	138	1	 

The first section provides a summary. The second section contains information about profiled code sections.



The report contains time measurements for:


- The `entry_point_fn_initialize` function, for example, `kalman01_initialize`.
- The entry-point function, for example, `kalman01`.
- The `entry_point_fn_terminate` function, for example, `kalman01_terminate`.

By default, the report displays time in nanoseconds ( $10^{-9}$  seconds). You can specify the time unit and numeric display format. For example, to display time in microseconds ( $10^{-6}$  seconds), use the `report` command:

```
executionProfile=getCoderExecutionProfile('kalman01'); % Create workspace var
report(executionProfile, ...
    'Units', 'Seconds', ...
    'ScaleFactor', '1e-06', ...
    'NumericFormat', '%0.3f')
```



The report displays time in seconds only if the timer is calibrated, that is, the number of timer ticks per second is established. On a Windows machine, the software determines this value for a SIL simulation. On a Linux machine, you must manually calibrate the timer. For example, if your processor speed is 1 GHz, specify the number of timer ticks per second:

```
executionProfile.TimerTicksPerSecond = 1e9;
```

To display measured execution times for a function, click the Simulation Data Inspector icon  on the corresponding row. You can use the Simulation Data Inspector to manage and compare plots from various executions.

The following table lists the information provided in the code section profiles.

Column	Description
Section	Name of function from which code is generated.
Maximum Execution Time	Maximum time between start and end of function execution. Includes time spent in child functions.
Average Execution Time	Average time between start and end of execution. Includes time spent in child functions.
Maximum Self Time	Longest time spent in function. Excludes time spent in child functions.

Column	Description
Average Self Time	Average time spent in function. Excludes time spent in child functions.
Calls	Number of calls made to function.
	Icon that you click to display the profiled code section.
	Icon that you click to display measured execution times with Simulation Data Inspector.

## Related Examples

- “Generate Execution Time Profile” on page 29-3
- “Analyze Execution Time Data” on page 29-7
- “Inspect Signal Data with Simulation Data Inspector”

## Analyze Execution Time Data

After a software-in-the-loop (SIL) or processor-in-the-loop (PIL) execution, you can analyze execution time data using methods from the `coder.profile.ExecutionTime` and `coder.profile.ExecutionTimeSection` classes.

In the following example, you run a SIL execution and apply supplied methods to execution time data.

### Extract Execution Time Data for Kalman Estimator Code

#### 1 Run SIL execution to generate execution time data

Copy MATLAB code to your working folder.

```
src_dir = ...
    fullfile(docroot, 'toolbox', 'coder', 'examples', 'kalman');

copyfile(fullfile(src_dir, 'kalman01.m'), '.')
copyfile(fullfile(src_dir, 'test01_ui.m'), '.')
copyfile(fullfile(src_dir, 'plot_trajectory.m'), '.')
copyfile(fullfile(src_dir, 'position.mat'), '.')
```

For a description of the Kalman estimator, see “C Code Generation at the Command Line”.

Create a `coder.EmbeddedCodeConfig` object.

```
config = coder.config('lib');
config.GenerateReport = true; % HTML report
```

Configure the object for SIL and enable execution time profiling.

```
config.VerificationMode = 'SIL';
config.CodeExecutionProfiling = true;
```

Generate library code for the `kalman01` MATLAB function and the SIL interface.

```
codegen('-config', config, '-args', {zeros(2,1)}, 'kalman01');
```

Run the MATLAB test file `test01_ui` with `kalman01_sil`. `kalman01_sil` is the SIL interface for `kalman01`.

```
coder.runTest('test01_ui', ['kalman01_sil.' mexext]);
```

You see the following message.

```
### Starting SIL execution for 'kalman01'  
  To terminate execution: clear kalman01_sil  
  Execution profiling data is available for viewing. Go to Simulation Data Inspector.  
  Execution profiling report available after termination.  
Current plot released
```

Terminate the SIL execution process. Click the link `clear kalman01_sil`.

```
### Stopping SIL execution for 'kalman01'  
  Execution profiling report: report(getCoderExecutionProfile('kalman01'))
```

## 2 Create workspace variable that holds execution time data

Use the `getCoderExecutionProfile` function to create a workspace variable that holds execution time profiling data.

```
executionProfile=getCoderExecutionProfile('kalman01');
```

## 3 Extract code sections

Use the `Sections` method.

```
allSections = executionProfile.Sections
```

The software displays the number of code sections and a list of properties.

```
allSections =  
  
1x3 ExecutionTimeTaskSection array with properties:  
  
  Name  
  Number  
  ExecutionTimeInTicks  
  SelfTimeInTicks  
  TurnaroundTimeInTicks  
  TotalExecutionTimeInTicks  
  TotalSelfTimeInTicks  
  TotalTurnaroundTimeInTicks  
  MaximumExecutionTimeInTicks  
  MaximumExecutionTimeCallNum  
  MaximumSelfTimeInTicks  
  MaximumSelfTimeCallNum  
  MaximumTurnaroundTimeInTicks  
  MaximumTurnaroundTimeCallNum  
  NumCalls  
  ExecutionTimeInSeconds  
  Time
```

#### 4 Extract execution time data from specific code section

Specify the code section that you want to examine.

```
secondSectionProfile = executionProfile.Sections(2)
```

The software displays profile data for the code section.

```
secondSectionProfile =
    ExecutionTimeTaskSection with properties:
        Name: 'kalman01'
        Number: 2
        ExecutionTimeInTicks: [1x300 uint64]
        SelfTimeInTicks: [1x300 uint64]
        TurnaroundTimeInTicks: [1x300 uint64]
        TotalExecutionTimeInTicks: 6641016
        TotalSelfTimeInTicks: 6641016
        TotalTurnaroundTimeInTicks: 6641016
        MaximumExecutionTimeInTicks: 48864
        MaximumExecutionTimeCallNum: 158
        MaximumSelfTimeInTicks: 48864
        MaximumSelfTimeCallNum: 158
        MaximumTurnaroundTimeInTicks: 48864
        MaximumTurnaroundTimeCallNum: 158
        NumCalls: 300
        ExecutionTimeInSeconds: [1x300 double]
        Time: [300x1 double]
```

You can extract specific properties, for example, the name of a profiled function.

```
nameOfSection = secondSectionProfile.Name
```

The software displays the name.

```
nameOfSection =
    kalman01
```

The following table lists the information that you can extract from each code section.

Property	Description
Name	Name of entry-point function
Number	Code section number

Property	Description
ExecutionTimeInTicks	Vector of execution times, measured in timer ticks. Each element contains the difference between the timer reading at the start and at the end of the code section. The data type is the same data type as the data type of the timer used on the target, which allows you to infer the maximum range of the timer measurements.
SelfTimeInTicks	Vector of timer tick numbers. Each element contains the number of ticks recorded for the code section, excluding the time spent in calls to child functions.
TurnaroundTimeInTicks	Vector of timer tick numbers. Each element contains the number of ticks recorded between the start and the finish of the code section. Unless the code is preempted, this number is the same number as the execution time.
TotalExecutionTimeInTicks	Total number of timer ticks recorded for the code section over the entire execution.
TotalSelfTimeInTicks	Total number of timer ticks recorded for the profiled code section over the entire execution. However, this number excludes the time spent in calls to child functions.
TotalTurnaroundTimeInTicks	Total number of timer ticks recorded between the start and the finish of the profiled code section over the entire execution. Unless the code is preempted, this number is the same as the total execution time.
MaximumExecutionTimeInTicks	Maximum number of timer ticks recorded for a single invocation of the code section over the execution.
MaximumExecutionTimeCallNum	Number of call in which MaximumExecutionTimeInTicks occurs.
MaximumSelfTimeInTicks	Maximum number of timer ticks recorded for a single code section invocation, but excluding the time spent in calls to child functions.
MaximumSelfTimeCallNum	Number of call in which MaximumSelfTimeInTicks occurs.
MaximumTurnaroundTimeInTicks	Maximum number of timer ticks recorded between the start and the finish of a single invocation of the profiled code section over the execution. Unless the code is preempted, this time is the same as the maximum execution time.

Property	Description
MaximumTurnaroundTimeCallNum	Number of call in which MaximumTurnaroundTimeInTicks occurs.
NumCalls	Total number of calls to the code section over the entire execution.
ExecutionTimeInSeconds	Vector of execution times, measured in seconds. Each element contains the difference between the timer reading at the start and at the end of the code section. Produced only if TimerTicksPerSecond is set.
Time	Vector of execution time measurements for the code section.

### Related Examples

- “Generate Execution Time Profile” on page 29-3
- “View Execution Times” on page 29-4
- “Inspect Signal Data with Simulation Data Inspector”





# Data Copy Reduction

---

- “Optimize Global Variable Usage” on page 30-2
- “Reuse Global Block Outputs in the Generated Code” on page 30-11
- “Virtualized Output Ports Optimization” on page 30-14
- “Signal Reuse for Root-Level Model Inputs and Outputs” on page 30-16
- “Buffer Reuse for Model Block Boundary and Unit Delay” on page 30-21
- “Buffer Reuse Around a Block or Subsystem Boundary” on page 30-24

## Optimize Global Variable Usage

### In this section...

“Minimize Global Data Access” on page 30-2

“Use Global to Hold Temporary Results” on page 30-7

To tune your application and choose tradeoffs for execution speed and memory usage, you can choose a global variable reference optimization for the generated code.

In the Configuration Parameters dialog box, on the **All Parameters** tab, in the **Optimize global data access** drop-down list, three parameter options control global variable usage optimizations.

- **None.** Use default optimizations. This choice works well for most models. The code generator balances the use of local and global variables. It generates code which balances RAM and ROM consumption and execution speed.
- **Use global to hold temporary results.** Reusing global variables improves code efficiency and readability. This optimization reuses global variables, which results in the code generator defining fewer variables. It reduces RAM and ROM consumption and data copies.
- **Minimize global data access.** Using local variables to cache global data reduces ROM consumption by reducing code size in certain cases, such as when the global variables are scalars. This optimization improves execution speed because the code uses fewer instructions for local variable references than for global variable references.

Minimizing the use of global variables by using local variables interacts with stack usage control. For example, stack size can determine the number of local and global variables that the code generator can allocate in the generated code. For more information, see “Customize Stack Space Allocation”.

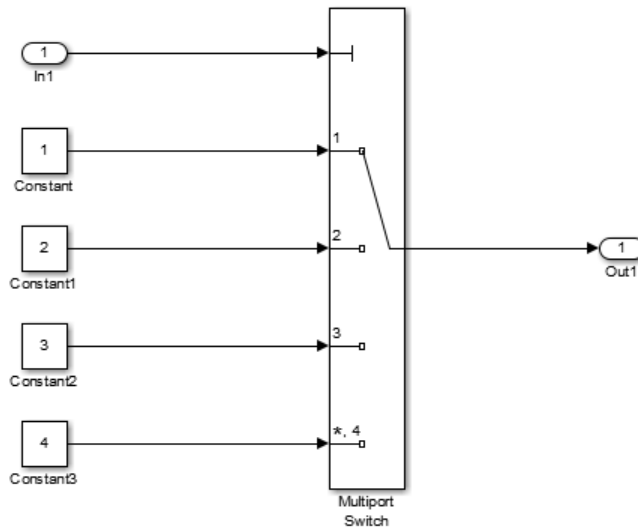
### Minimize Global Data Access

This example shows how the code generator uses global and local variables when you select **None** versus when you select **Minimize global data access**.

#### Example Model

In the Command Window, type `rtwdemo_optimize_global`.

Save the model to a local folder.



Set up the configuration for the model.

In the Configuration Parameters dialog box, on the **All Parameters** tab, verify that the **Signal storage reuse** parameter is selected. From the **Optimize global data access** list, select **None**.

### Generate Code

To generate the code, on the **Code Generation** pane:

- 1 Select **Generate code only**.
- 2 Click **Apply**.

In the model window, press **Ctrl+B** to generate code. The code generator places the generated code in the `rtwdemo_optimize_global_ert_rtw` folder. For this example, the file `rtwdemo_optimize_global.c` contains the relevant code.

The code assigns values to the global vector `rtY.Out1` in each case statement without using a local variable. This assignment improves ROM and RAM consumption and

reduces data copies. The code places the value in the destination variable for each assignment instead of copying the value at the end.

```
switch ((int32_T)rtU.In1) {
  case 1:
    /* Output: '<Root>/Out1' incorporates:
     * Constant: '<Root>/Constant'
     */
    rtY.Out1 = 1.0;
    break;

  case 2:
    /* Output: '<Root>/Out1' incorporates:
     * Constant: '<Root>/Constant1'
     */
    rtY.Out1 = 2.0;
    break;

  case 3:
    /* Output: '<Root>/Out1' incorporates:
     * Constant: '<Root>/Constant2'
     */
    rtY.Out1 = 3.0;
    break;

  default:
    /* Output: '<Root>/Out1' incorporates:
     * Constant: '<Root>/Constant3'
     */
    rtY.Out1 = 4.0;
    break;
}

/* End of MultiPortSwitch: '<Root>/Multiport Switch' */
}
```

In the Static Code Metrics Report, examine the **Global Variables** section.

- 1 In the Code Generation report window, click **Static Code Metrics Report**.
- 2 Scroll down to the **Global Variables** section.
- 3 Click **[+]** before each variable to expand it.

Global variables defined in the generated code.

Global Variable	Size (bytes)	Reads / Writes	Reads / Writes in a Function
[ - ] <a href="#">rtU</a>	8	1	1
In1	8	1	1
[ - ] <a href="#">rtY</a>	8	4	4
Out1	8	4	4
[ - ] <a href="#">rtM</a>	4	0*	0*
errorStatus	4	0	0
<b>Total</b>	<b>20</b>	<b>5</b>	

\* The global variable is not directly used in any function.

The total number of reads and writes for global variables is 5.

### Enable Optimization

On the **All Parameters** tab, from the **Optimize global data access** list, select **Minimize global data access**. Click **Apply**.

### Generate Code with Optimization

In the model window, press **Ctrl+B** to generate code.

In the `rtwdemo_optimize_global.c` listing, the code assigns the constant value to the local variable `tmp_Out1` in each case statement. The last statement in the code listing copies the value of `tmp_Out1` to the global variable `rtY.Out1`. Fewer global variable references result in fewer instructions and improved execution speed.

```
switch ((int32_T)rtU.In1) {
case 1:
    /* Outport: '<Root>/Out1' incorporates:
     * Constant: '<Root>/Constant'
     */
    tmp_Out1 = 1.0;
    break;
```

```

case 2:
  /* Outport: '<Root>/Out1' incorporates:
   * Constant: '<Root>/Constant1'
   */
  tmp_Out1 = 2.0;
  break;

case 3:
  /* Outport: '<Root>/Out1' incorporates:
   * Constant: '<Root>/Constant2'
   */
  tmp_Out1 = 3.0;
  break;

default:
  /* Outport: '<Root>/Out1' incorporates:
   * Constant: '<Root>/Constant3'
   */
  tmp_Out1 = 4.0;
  break;
}

/* End of MultiPortSwitch: '<Root>/Multiport Switch' */

/* Outport: '<Root>/Out1' */
rtY.Out1 = tmp_Out1;
}

```

In the Static Code Metrics Report, examine the **Global Variables** section.

Global variables defined in the generated code.

Global Variable	Size (bytes)	Reads / Writes	Reads / Writes in a Function
<a href="#">[-] rtU</a>	8	1	1
in1	8	1	1
<a href="#">[-] rtY</a>	8	1	1
Out1	8	1	1
<a href="#">[-] rtM</a>	4	0 <sup>+</sup>	0 <sup>+</sup>
errorStatus	4	0	0
<b>Total</b>	<b>20</b>	<b>2</b>	

<sup>+</sup> The global variable is not directly used in any function.

As a result of minimizing global data accesses, the total number of reads and writes for global variables has decreased from 5 to 2.

## Use Global to Hold Temporary Results

This example shows how the code generator uses global and local variables when you select **None** versus when you select **Use global to hold temporary results**.

- **None**

Use default optimizations. This choice works well for most models. The code generator balances the use of local and global variables. It generates code which balances RAM and ROM consumption and execution speed.

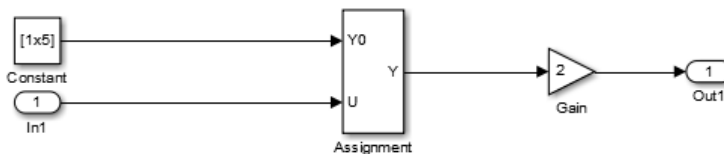
- **Use global to hold temporary results**

Maximize use of global variables. Reusing global variables improves code efficiency and readability. This optimization reuses global variables, which results in the code generator defining fewer variables, reducing RAM and ROM consumption and data copies.

### Example Model

In the Command Window, type `rtwdemo_optimize_global_ebf`.

Save the model to a local folder.



Set up the configuration for the model. In the Configuration Parameters dialog box, on the **All Parameters** tab, verify that the **Signal Storage Reuse** check box is selected. From the **Optimize global data access** list, select **None**.

### Generate Code

To generate the code, on the **Code Generation** pane:

- 1 Select **Generate code only**.

## 2 Click **Apply**.

In the model window, press **Ctrl+B** to generate code. The code generator places the generated code in the `rtwdemo_reuse_global_ebf_ert_rtw` folder. The file `rtwdemo_optimize_global_ebf.c` contains the relevant code.

The code assigns values to the local vector `rtb_Assignment`. The last statement copies the values in the local vector `rtb_Assignment` to the global vector `rtY.Out1`. Fewer global variable references result in improved execution speed. The code uses more instructions for global variable references than for local variable references.

```
/* Model step function */
void rtwdemo_optimize_global_ebf_step(void)
{
    real_T rtb_Assignment[5];
    int32_T i;

    /* Assignment: '<Root>/Assignment' incorporates:
     * Constant: '<Root>/Constant'
     * Inport: '<Root>/In1'
     */
    for (i = 0; i < 5; i++) {
        rtb_Assignment[i] = rtCP_Constant_Value[i];
    }

    rtb_Assignment[1] = rtU.In1;

    /* End of Assignment: '<Root>/Assignment' */

    /* Output: '<Root>/Out1' incorporates:
     * Gain: '<Root>/Gain'
     */
    for (i = 0; i < 5; i++) {
        rtY.Out1[i] = 2.0 * rtb_Assignment[i];
    }

    /* End of Output: '<Root>/Out1' */
}
```

In the Static Code Metrics Report, examine the **Global Variables** section.

- 1 In the Code Generation report window, select **Static Code Metrics Report**.
- 2 Scroll down to the Global Variables section.



3 Click **[+]** before each variable to expand it.

Global variables defined in the generated code.

Global Variable	Size (bytes)	Reads / Writes	Reads / Writes in a Function
<b>[ - ]</b> <a href="#">rtY</a>	40	1	1
Out1	40	1	1
<b>[ - ]</b> <a href="#">rtU</a>	8	1	1
In1	8	1	1
<b>[ - ]</b> <a href="#">rtM</a>	4	0*	0*
errorStatus	4	0	0
<b>Total</b>	<b>52</b>	<b>2</b>	

\* The global variable is not directly used in any function.

The total number of reads and writes for global variables is 2.

### Enable Optimization

On the **All Parameters** tab, from the **Optimize global data access** list, select **Use global** to hold temporary results. Click **Apply**.

### Generate Code with Optimization

In the model window, press **Ctrl+B** to generate code.

rtwdemo\_optimize\_global\_ebf.c contains the following code.

The code assigns values to the global vector `rtY.Out1` without using a local variable. This assignment improves ROM and RAM consumption and reduces data copies. The code places the value in the destination variable for each assignment instead of copying the value at the end.

```
for (i = 0; i < 5; i++) {
    rtY.Out1[i] = rtCP_Constant_Value[i];
}

rtY.Out1[1] = rtU.In1;

/* End of Assignment: '<Root>/Assignment' */
```

```

/* Output: '<Root>/Out1' incorporates:
 * Gain: '<Root>/Gain'
 */
for (i = 0; i < 5; i++) {
    rtY.Out1[i] *= 2.0;
}

```

In the Static Code Metrics Report, examine the **Global Variables** section.

Global variables defined in the generated code.

Global Variable	Size (bytes)	Reads / Writes	Reads / Writes in a Function
<a href="#">[-] rtY</a>	40	4	4
Out1	40	4	4
<a href="#">[-] rtU</a>	8	1	1
In1	8	1	1
<a href="#">[-] rtM</a>	4	0*	0*
errorStatus	4	0	0
<b>Total</b>	<b>52</b>	<b>5</b>	

\* The global variable is not directly used in any function.

As a result of using global variables to hold local results, the total number of reads and writes for global variables has increased from 2 to 5. This optimization reduces data copies by reusing global variables.

## Reuse Global Block Outputs in the Generated Code

In the Configuration Parameters dialog box, on the **All Parameters** tab, the **Reuse global block outputs** parameter controls the reuse of global block outputs in the generated code.

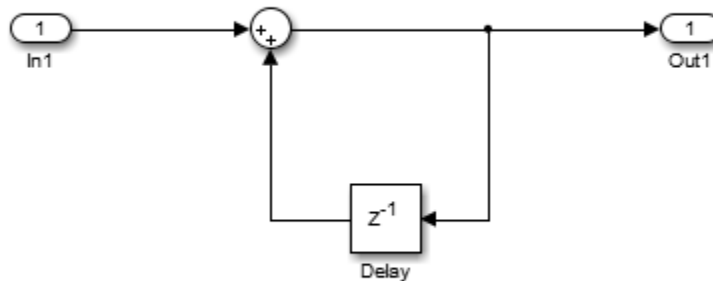
### Reuse Global Block Outputs

This example shows the results of enabling the **Reuse global block outputs** parameter.

#### Example Model

In the Command Window, type `rtwdemo_reuse_global`.

Save the model to a local folder.



- 1 In the Configuration Parameters dialog box, on the **All Parameters** tab, verify that **Signal storage reuse** is selected.
- 2 Clear **Reuse global block outputs**.
- 3 On the **Code Generation > Report** pane select **Static code metrics**.

## Generate Code

To generate the code, on the **Code Generation** pane:

- Select **Generate code only**.
- Select **Apply**.

In the model window, press **Ctrl+B** to generate code. The code generator places the generated code in the `rtwdemo_reuse_global_ert_rtw` folder. The file `rtwdemo_reuse_global.c` contains the relevant code listed. The code assigns the value of:

- The calculation to the global variable `rtY.Out1`.
- The global variable `rtY.Out1` to the global variable `rtDW.Delay_DSTATE`.

```
rtY.Out1 = rtU.In1 + rtDW.Delay_DSTATE;

/* Update for Delay: '<Root>/Delay' */
rtDW.Delay_DSTATE = rtY.Out1;
```

Global variables defined in the generated code.

Global Variable	Size (bytes)	Reads / Writes	Reads / Writes in a Function
[ - ] <a href="#">rtDW</a>	8	3	2
Delay_DSTATE	8	3	2
[ - ] <a href="#">rtU</a>	8	2	1
In1	8	2	1
[ - ] <a href="#">rtY</a>	8	3	2
Out1	8	3	2
[ - ] <a href="#">rtM_</a>	4	0*	0*
errorStatus	4	0	0
<b>Total</b>	<b>28</b>	<b>8</b>	

\* The global variable is not directly used in any function.

The total number of reads and writes for global variables is 8. The total size in bytes is 28.

## Enable Optimization

On the **All Parameters** tab, select **Reuse global block outputs**. Click **Apply**.

## Generate Code with Optimization

In the model window, press **Ctrl+B** to generate code.

The code generator reduces two statements to one statement and three global variables to two global variables. This optimization reduces ROM and RAM consumption and improves execution speed.

```
rtY.Out1 += rtU.In1;
```

Global variables defined in the generated code.

Global Variable	Size (bytes)	Reads / Writes	Reads / Writes in a Function
[ - ] <a href="#">rtU</a>	8	2	1
In1	8	2	1
[ - ] <a href="#">rtY</a>	8	3	2
Out1	8	3	2
[ - ] <a href="#">rtM</a>	4	0+	0+
errorStatus	4	0	0
<b>Total</b>	<b>20</b>	<b>5</b>	

\* The global variable is not directly used in any function.

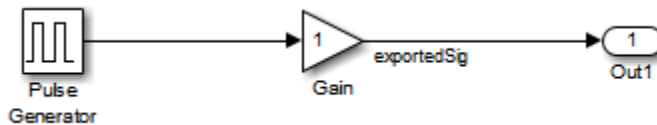
The optimization reduces the total number of reads and writes for global variables from 8 to 5 and the total size in bytes from 28 to 20.

For more information, see “Optimize Global Variable Usage” on page 30-2 and “Signal Representation in Generated Code”.

## Virtualized Output Ports Optimization

The *virtualized output ports* optimization lets you store the signal entering the root output port as a global variable. Clearing the **MAT-file logging** option and setting the TLC variable `FullRootOutputVector` to 0, both defaults for Embedded Coder, eliminate code and data storage associated with root output ports.

Consider the model in the following block diagram. The signal `exportedSig` has `exportedGlobal` storage class.



In the default case, the output of the Gain block is written to the signal storage location, `exportedSig`. The code generator does not generate code or data for the Out1 block, which has become a virtual block.

```
/* Gain Block: <Root>/Gain */
exportedSig = rtb_PulseGen * VirtOutPortLogOFF_P.Gain_Gain;
```

In cases where you enable **MAT-file logging** or set `FullRootOutputVector = 1`, the generated code represents root output ports as members of an external outputs vector.

The following code fragment was generated with **MAT-file logging** enabled. The output port is represented as a member of the external outputs vector `VirtOutPortLogON_Y`. The Gain block output value is copied to `exportedSig` and to the external outputs vector.

```
/* Gain Block: <Root>/Gain */
exportedSig = rtb_PulseGen * VirtOutPortLogON_P.Gain_Gain;

/* Output Block: <Root>/Out1 */
VirtOutPortLogON_Y.Out1 = exportedSig;
```

Data maintenance in the external outputs vector can be significant for smaller models that perform benchmarks.

You can force root output ports to be stored in the external outputs vector (regardless of the setting of **MAT-file logging**) by setting the TLC variable `FullRootOutputVector` to 1. Add the statement

```
%assign FullRootOutputVector = 1
```

to the Embedded Coder system target file. Alternatively, you can enter the assignment from the MATLAB command line using the `set_param` command, the model parameter `TLCOptions`, and the TLC option `-a`. For more information, see “Specify TLC Options” and “Configure TLC”.

For more information on how to control signal storage in generated code, see “Signal Representation in Generated Code”.

## Signal Reuse for Root-Level Model Inputs and Outputs

Signal reuse allows for further optimizations that can reduce data copies, global variables, and ROM/RAM consumption. The code generator can reuse the root input and output signals for a model in the generated code. When you prepare to generate code for a model, you can specify that pairs of root-level model input and output signals are available to be reused. Use the **Reusable** custom storage class.

- 1 Choose one root-level input signal and one root-level output signal. Assign them the same name. The name is used for the reused variable name in the generated code. Specify that the signal name must resolve to a **Simulink.Signal** object.
- 2 Create a **Simulink.Signal** object and specify the same name as you chose for the signals in the previous step. Set the storage class to **Custom**. Set the custom storage class to **Reusable** or to a custom storage class that you derived from **Reusable**. Verify that **Is Reusable** is set to **Yes**.

In some cases, code generation creates an extra buffer to satisfy requested buffer use for the specified signal.

When you run an executable produced by code generation, and you reuse a root I/O pair, it is important that when the root input value is zero that the root output value is also zero. If the output value is nonzero and you reuse the signals, then the results from the simulation can differ from the results produced by the executable.

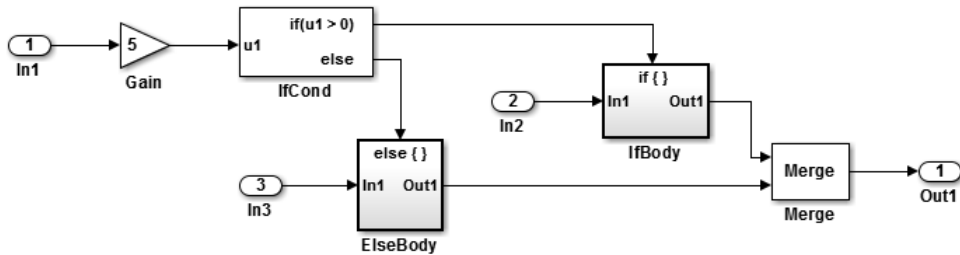
### Reuse Root-Level I/O Signals

This example shows how the code generator can reuse root-level input and output signals. Reuse reduces ROM and RAM consumption, data copies, and global variables.

In the Command Window, open `rtwdemo_merge`.

Save the model to a local folder.





### Generate Code Without Optimization

- 1 In the Configuration Parameters dialog box, on the **Code Generation** pane, set **System target file** to `ert.tlc`.
- 2 Select **Generate code only**.
- 3 Click **Apply**.
- 4 In the model window, press **Ctrl+B** to generate code.

In the `rtwdemo_merge.h` header file the code generator declares these variables: `In1`, `In2`, `In3`, and `Out1`, for a total of four variables.

```

/* External inputs (root inport signals with auto storage) */
typedef struct {
    real32_T In1;           /* '<Root>/In1' */
    real32_T In2;           /* '<Root>/In2' */
    real32_T In3;           /* '<Root>/In3' */
} ExtU_rtwdemo_merge_T;

/* External outputs (root outports fed by signals with auto storage) */
typedef struct {
    real32_T Out1;         /* '<Root>/Out1' */
} ExtY_rtwdemo_merge_T;

```

In `rtwdemo_merge.c`, in the `rtwdemo_merge_U` structure, the code generator uses `In1`, `In2`, and `In3` for the input values. In the `rtwdemo_merge_Y` structure, it uses `Out1` for the output value.

```

if (5.0F * rtwdemo_merge_U.In1 > 0.0F) {
    /* Outputs for IfAction SubSystem: '<Root>/IfBody' incorporates:
     * ActionPort: '<S2>/IfAction'
     */
}

```

```

/* Output: '<Root>/Out1' incorporates:
 * Gain: '<S2>/ifgain'
 * Inport: '<Root>/In2'
 */
rtwdemo_merge_Y.Out1 = 5.0F * rtwdemo_merge_U.In2;

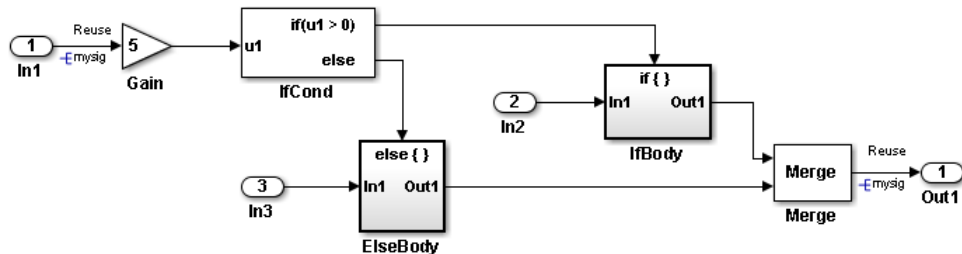
/* End of Outputs for SubSystem: '<Root>/IfBody' */
} else {
/* Outputs for IfAction SubSystem: '<Root>/ElseBody' incorporates:
 * ActionPort: '<S1>/IfAction'
 */
/* Output: '<Root>/Out1' incorporates:
 * Gain: '<S1>/elsegain'
 * Inport: '<Root>/In3'
 */
rtwdemo_merge_Y.Out1 = 10.0F * rtwdemo_merge_U.In3;

```

**Enable Optimization**

- 1 Choose a pair of root-level input and outputs. For this example, choose In1 for the root-level input and Out1 for the root-level output.
- 2 For the input signal:
  - a Right-click the signal line. From the context menu, choose Properties.
  - b Set **Signal name** to mysig. Press **Tab**.
  - c Select **Signal name must resolve to Simulink signal object**.
  - d Click **OK**.
- 3 Repeat step 2 for the corresponding output signal.

The model, after being configured, with the root I/O signals labelled with Reuse, looks like this:



- 4 Create a reusable signal object. Call it `mysig`, to match the name of the input and output signals. In the Command Window, enter:

```
mysig=Simulink.Signal;
mysig.CoderInfo.StorageClass = 'Custom';
mysig.CoderInfo.CustomStorageClass = 'Reusable';
```

### Generate Code With Optimization

In the model window, press **Ctrl+B** to generate code.

In the `rtwdemo_merge.h` header file, the code generator declares `In2`, `In3`, and `mysig`, resulting in three variables.

```
/* External inputs (root inport signals with auto storage) */
typedef struct {
    real32_T In2;                /* '<Root>/In2' */
    real32_T In3;                /* '<Root>/In3' */
} ExtU_rtwdemo_merge_T;
...

/* Declaration for custom storage class: Reusable */
extern real32_T mysig;
```

The code in `rtwdemo_merge.c`, in the structure `rtwdemo_merge_U`, uses the variables `In2` and `In3` for input values. The code reuses the variable `mysig` for input and output, instead of using `In1` and `Out1`.

```
if (5.0F * mysig > 0.0F) {
    /* Outputs for IfAction SubSystem: '<Root>/IfBody' incorporates:
     * ActionPort: '<S2>/IfAction'
     */
    mysig = 5.0F * rtwdemo_merge_U.In2;

    /* End of Outputs for SubSystem: '<Root>/IfBody' */
} else {
    /* Outputs for IfAction SubSystem: '<Root>/ElseBody' incorporates:
     * ActionPort: '<S1>/IfAction'
     */
    mysig = 10.0F * rtwdemo_merge_U.In3;
```

With reuse, the number of variables created and referenced is reduced by half. Each input/output signal pair results in one variable rather than two.

## **More About**

- “Introduction to Custom Storage Classes” on page 10-2
- “Simulink Package Custom Storage Classes” on page 10-5
- “Control Signals and States in Code by Applying Storage Classes”

## Buffer Reuse for Model Block Boundary and Unit Delay

### In this section...

“Signal Reuse for Model Block Boundary” on page 30-21

“Buffer Reuse for Unit Delay Block” on page 30-22

The code generator can optimize code by trying to reuse buffers in the generated code. The following examples show how to configure your model to take advantage of these optimizations. For these examples, the following **Reusable** custom storage classes are defined in the workspace:

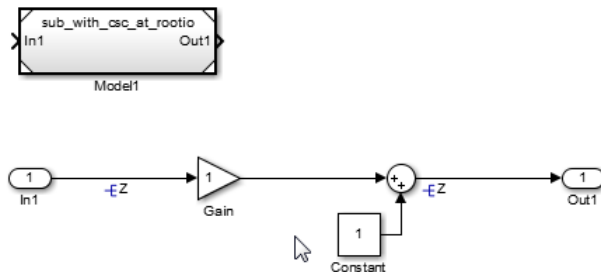
```
Y = Simulink.Signal;
Y.CoderInfo.Storageclass = 'Custom';
Y.CoderInfo.CustomStorageClass = 'Reusable';
```

```
Z = Simulink.Signal;
Z.CoderInfo.Storageclass = 'Custom';
Z.CoderInfo.CustomStorageClass = 'Reusable';
```

### Signal Reuse for Model Block Boundary

The code generator tries to eliminate buffers in the generated code by reusing buffers for a pair of Model Block I/O signals with the same **Reusable** storage class specification.

Consider the following model block and submodel.



To reuse the buffers inside this model block:

- 1 Choose In1 and Out1 as the pair of input/output ports in the submodel.

- 2 For the input signal:
  - a Right-click the signal line. From the context menu, choose **Properties**.
  - b Set **Signal name** to a defined custom storage class. In this example, use your defined CSC Z.
  - c Select **Signal name must resolve to Simulink signal object**.
  - d Click **OK**.
- 3 Repeat step 2 for the corresponding output signal.

The resulting generated code for `sub_with_csc_at_rootio.c` reuses variable Z for the input and output.

```
void sub_with_csc_at_rootio_step(void)
{
Z = sub_with_csc_at_rootio_P.Gain_Gain * Z +...
sub_with_csc_at_rootio_P.Constant_Value;
}
```

This optimization has these constraints:

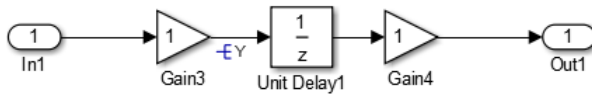
- The input and output signals must have the same data types and sampling rates.
- The output ports cannot be conditional.

## Buffer Reuse for Unit Delay Block

Reusing the signals of a Unit Delay block can reduce the number of global variables. The code generator tries to reuse the input, output, and state of a Unit Delay block, if any of the following conditions exist:

- In the Configuration Parameters dialog box, on the **All Parameters** tab, select **Use global** to hold temporary results from the **Optimize global data access** list.
- Use the same **Reusable** custom storage class specification for a pair of input and state arguments or a pair of output and state arguments of a Unit Delay block.
- Use a **Reusable** custom storage class specification for a state argument of a Unit Delay block.

For an example of reusing a pair of input and state arguments of a Unit Delay block, consider the following model.



To reuse the input and state buffers of Unit Delay 1:

- 1 Right-click Unit Delay 1. From the context menu, choose **Block Parameters**.
- 2 In the **State Attributes** tab, set **State name** to the custom storage class Y.
- 3 Select **State name must resolve to Simulink signal object**.
- 4 For the Unit Delay block input signal:
  - a Right-click the signal line. From the context menu, choose **Properties**.
  - b Set **Signal name** to the custom storage class Y.
  - c Select **Signal name must resolve to Simulink signal object**.
  - d Click **OK**.

The resulting generated code reuses variable Y for the input signal and state.

```
demo_Y.Out1 = demo_P.Gain4_Gain *Y;
...
Y = demo_P.Gain3_Gain*demo_U.In1;
```

This optimization has these constraints:

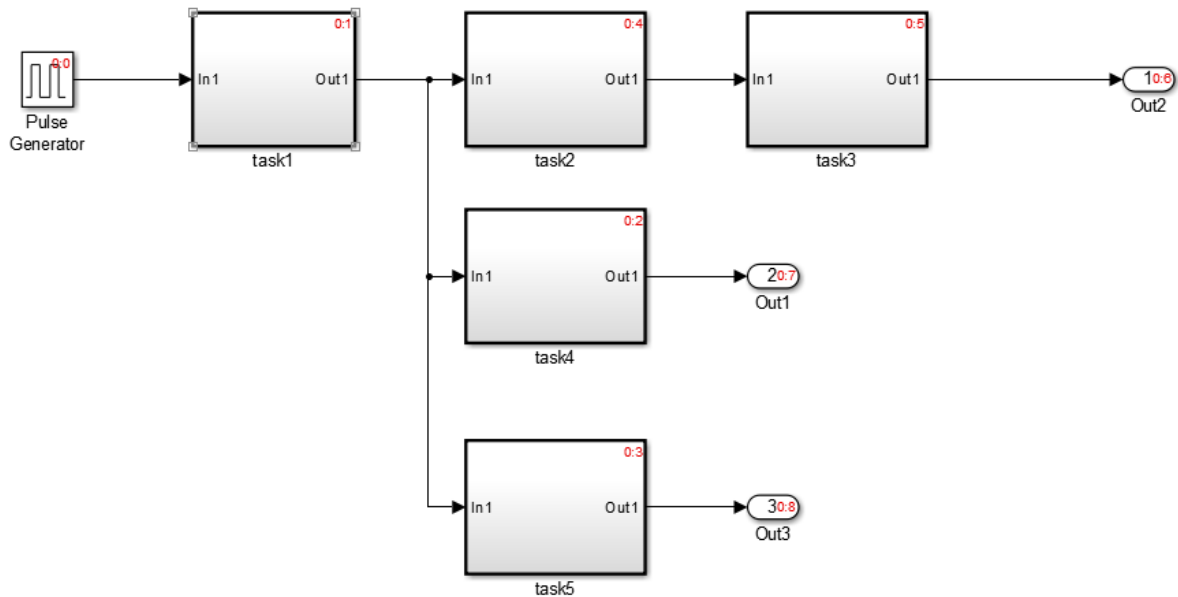
- The input and output signals must have the same data types and sampling rates.
- Optimization works only for Unit Delay blocks.

## Buffer Reuse Around a Block or Subsystem Boundary

This example shows how to use a Simulink signal object to specify buffer reuse around a block or subsystem boundary in the generated code. Buffer reuse reduces ROM and RAM consumption and improves execution speed.

### Example

Consider the following model, which contains five subsystems, `task1`, `task2`, `task3`, `task4`, and `task5`. Each subsystem contains a simple multiplication operation.



### Specify a Simulink Signal Object for Reuse

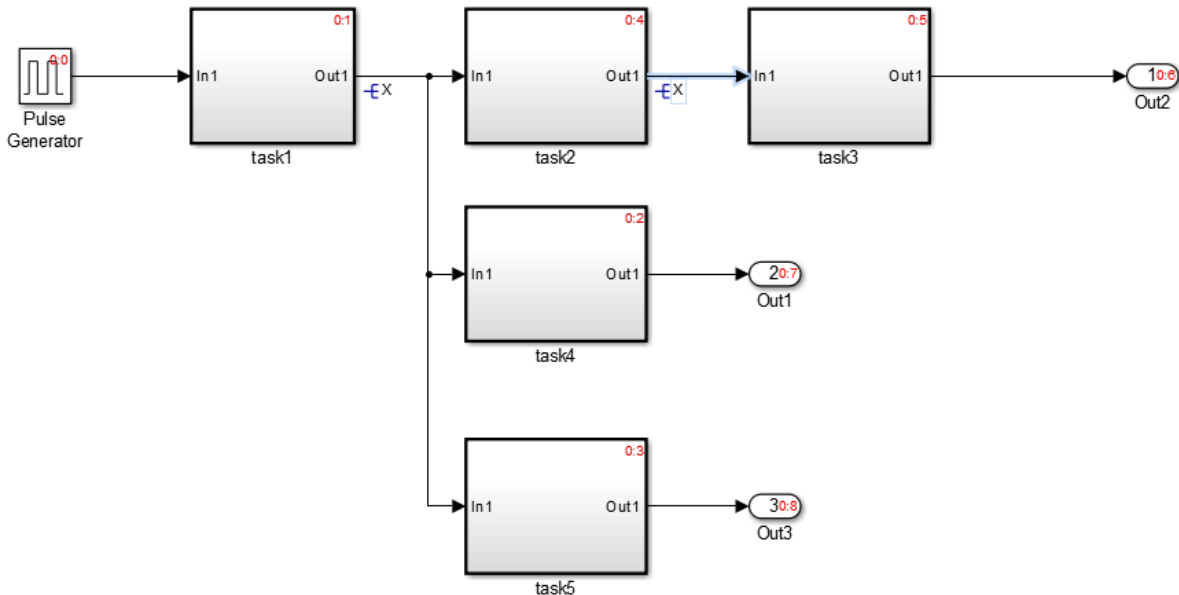
Create the following Simulink Signal object in the base workspace. Use the Simulink Signal object to specify buffer reuse.

```
1 X = Simulink.Signal;
   X.CoderInfo.Storageclass = 'Custom';
```



```
X.CoderInfo.CustomStorageClass = 'Reusable';
```

- 2 From the output of `task1`, right-click the signal line. In the Signal Properties dialog box, enter `X` in the **Signal name** field.
- 3 Select **Signal name must resolve to Simulink signal object**.
- 4 Repeat steps 2 and 3 with the output of `task2`. Close the Signal Properties dialog box. The name of the Simulink signal object appears in the model.



## Generate Code with Optimization

The **Function packaging** setting for each subsystem is set to **Nonreusable function**, so the code generator produces these separate functions in separate files. The **Function packaging** setting is on the **Code Generation** tab in the Block Parameters dialog box.

```
void task1(void)
{
    X = 2.0 * bufferreuse_B.PulseGenerator;
}
```

```
void task2(void)
{
    X = 3.0 * X;
}
void task3(void)
{
    bufferreuse_Y.Out2 = 3.0 * X;
}
void task4(void)
{
    bufferreuse_Y.Out1 = 3.0 * X;
}
void task5(void)
{
    bufferreuse_Y.Out3 = 3.0 * X;
}
```

For the input and output of `task2`, the code generator reuses the buffer, `X`. The code generator reuses `X` only once due to these limitations:

- For a given model, the code generator uses the same Simulink signal object no more than twice.
- If you specify a Simulink signal object for reuse at a root-level input port, the other reuse instance must be at a root-level output port.
- If you specify a Simulink signal object for reuse at a root-level output port, the other reuse instance must be at a root-level input port.

For other examples of how to use Simulink signal objects to specify buffer reuse in generated code, see “Signal Reuse for Root-Level Model Inputs and Outputs” on page 30-16 and “Buffer Reuse for Model Block Boundary and Unit Delay” on page 30-21.

# Execution Speed

---

- “Reduce Memory Requirements for Signals” on page 31-2
- “Remove Initialization Code” on page 31-3
- “Eliminate Zero Initialization Code for Internal Data” on page 31-4
- “Generate Pure Integer Code If Possible” on page 31-7
- “Disable MAT-File Logging” on page 31-8
- “Simplify Multiply Operations in Array Indexing” on page 31-9
- “Replace `boolean` with Specific Integer Data Type” on page 31-13
- “Remove Code That Guards Against Division by Zero for Fixed-Point Data” on page 31-16
- “Division Arithmetic Exceptions in Generated Code” on page 31-19
- “Optimize Initialization Code for a Referenced Model” on page 31-21
- “Optimize Generated Code by Consolidating Redundant If-Else Statements” on page 31-25
- “Remove Initialization Code for Root-Level Inports and Outports Set to Zero” on page 31-30
- “Optimize Generated Code for Fixed-Point Data Operations” on page 31-33
- “Optimize Generated Code for a Processor By Using Code Replacement” on page 31-34

## Reduce Memory Requirements for Signals

To reduce the memory requirements of your real-time program, select the configuration parameter **Signal storage reuse**. Selecting **Signal storage reuse** enables parameters that provide the capability to reuse memory allocated for signals: **Reuse local block outputs**, **Reuse global block outputs**, and **Optimize global data access**. Clearing **Signal storage reuse** makes all block outputs global and unique, which often significantly increases RAM and ROM usage.

When you select **Reuse local block outputs**, the code generator reuses local (function) variables for block outputs wherever possible. When you select **Reuse global block outputs**, the code generator reuses global (function) variables wherever possible.

The **Optimize global data access** parameter has the following settings **None**, **Use global to hold temporary results**, and **Minimize global data access**. When you select **None**, the code generator uses the default optimizations. The setting **Use global to hold temporary results** maximizes the use of global variables. The setting **Minimize global data access** minimizes the use of global variables by using local variables to hold intermediate values.

### Related Examples

- “Enable and Reuse Local Block Outputs in Generated Code”
- “Reuse Global Block Outputs in the Generated Code” on page 30-11
- “Optimize Global Variable Usage” on page 30-2

## Remove Initialization Code

Consider selecting the “Remove root level I/O zero initialization” and “Remove internal data zero initialization” options on the **Optimization > General** pane.

These options (both off by default) control whether internal data (block states and block outputs) and external data (root inports and outports whose value is zero) are initialized. Initializing the internal and external data whose value is zero is a precaution and your application might not require it. Many embedded application environments initialize RAM to zero at startup, making generation of initialization code redundant.

However, be aware that if you select **Remove internal data zero initialization**, memory might not be in a known state each time the generated code begins execution. If you turn the option on, running a model (or a generated S-function) multiple times can result in different answers for each run.

This behavior is sometimes desirable. For example, you can turn on **Remove internal data zero initialization** if you want to test the behavior of your design during a warm boot (that is, a restart without full system reinitialization).

In cases where you have turned on **Remove internal data zero initialization** but still want to get the same answer on every run from a S-function generated by the Embedded Coder software, you can use either of the following MATLAB commands before each run:

```
clear SFcnName
```

where *SFcnName* is the name of the S-function, or

```
clear mex
```

A related option, **Use memset to initialize floats and doubles**, lets you control the representation of zero used during initialization. See “Use memset to initialize floats and doubles to 0.0” in the Simulink reference documentation.

Note that the code still initializes data structures whose value is not zero when **Remove internal data zero initialization** and **Remove root level I/O zero initialization** are selected.

Note also that data of `ImportedExtern` or `ImportedExternPointer` storage classes are not initialized, regardless of the settings of these options.

## Eliminate Zero Initialization Code for Internal Data

This example shows how to eliminate generated code that initializes internal data with zeroes, for example global DWork vectors, to reduce the size of the code and to accelerate model initialization.

### Overview

During model initialization, generated code can initialize internal data by using assignments to zero. DWork vectors are an example of internal data.

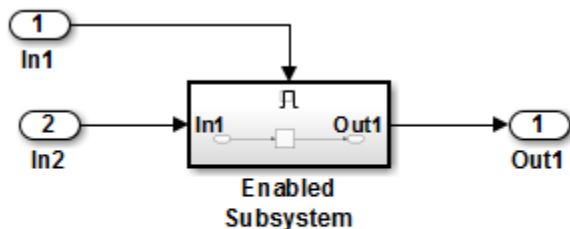
If the data are global variables in the generated code, and if the target environment already initializes global variables with zeroes, you can remove the corresponding lines of model initialization code.

This optimization removes unnecessary zero initialization code, providing these benefits:

- Reduction in size of generated code
- Increased execution speed of generated code

### Open Example Model

Open the model `rtwdemo_internal_init`. The model contains an enabled subsystem whose initial output is zero. The subsystem contains a Unit Delay block whose initial condition is 0.



Copyright 2014 The MathWorks, Inc.

### Generate Code Without Optimization

Build the model using Embedded Coder.

```
### Starting build procedure for model: rtwdemo_internal_init
### Successful completion of build procedure for model: rtwdemo_internal_init
```

View the following code from the generated file `rtwdemo_internal_init.c`.

```
/* Model initialize function */
void rtwdemo_internal_init_initialize(void)
{
    /* Registration code */

    /* initialize error status */
    rtmSetErrorStatus(rtm, (NULL));

    /* states (dwork) */
    (void) memset((void *)&rtDWork, 0,
                 sizeof(D_Work));

    /* SystemInitialize for Enabled SubSystem: '<Root>/Enabled Subsystem' */
    /* InitializeConditions for UnitDelay: '<S1>/Unit Delay' */
    rtDWork.UnitDelay_DSTATE = 0.0;

    /* End of SystemInitialize for SubSystem: '<Root>/Enabled Subsystem' */
}
/*
```

### Enable Optimization

Open the Configuration Parameters dialog box. On the **Optimization** pane, select **Remove internal data zero initialization**.

Alternatively, you can use the command prompt to enable the optimization. To enable the optimization, set the model parameter `ZeroInternalMemoryAtStartup` to `'off'`.

```
set_param(model, 'ZeroInternalMemoryAtStartup', 'off');
```

### Generate Code with Optimization

Build the model using Embedded Coder.

```
### Starting build procedure for model: rtwdemo_internal_init
### Successful completion of build procedure for model: rtwdemo_internal_init
```

View the following code from the file `rtwdemo_internal_init.c`. The generated code does not initialize internal data by assignment to zero.

```
/* Model initialize function */  
void rtwdemo_internal_init_initialize(void)  
{  
    /* (no initialization code required) */  
}  
  
/*
```



## Generate Pure Integer Code If Possible

If your application uses only integer arithmetic, clear the **Support floating-point numbers** option in the **Software environment** section of the **Interface** pane so that the generated code contains no floating-point data or operations. When this option is cleared, an error is raised if noninteger data or expressions are encountered during code generation. The error message reports the offending blocks and parameters.

## Disable MAT-File Logging

Disable MAT-file logging by clearing **Configuration Parameters > All Parameters > MAT-file logging**. This setting is the default, and is recommended for embedded applications because it eliminates the extra code and memory usage required to initialize, update, and clean up logging variables. In addition to these efficiencies, clearing the **MAT-file logging** parameter lets you exploit further efficiencies under certain conditions. See “Virtualized Output Ports Optimization” on page 30-14 for information.

Note also that code generated to support MAT-file logging invokes `malloc`, which can be undesirable for your application.

## Simplify Multiply Operations in Array Indexing

### In this section...

“Example Model” on page 31-9

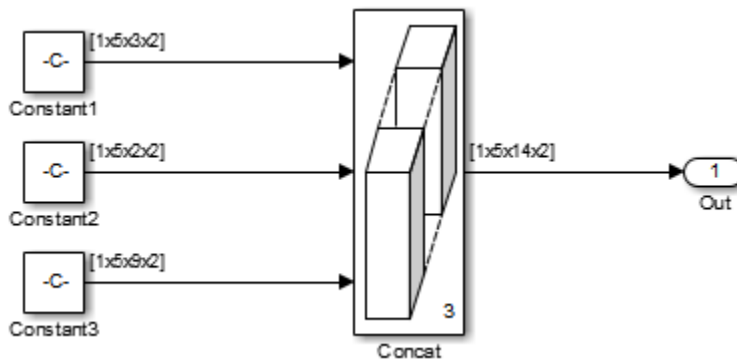
“Generate Code” on page 31-10

“Generate Code with Optimization” on page 31-10

The generated code might have multiply operations when indexing an element of an array. You can select the optimization parameter “Simplify array indexing” to replace multiply operations in the array index with a temporary variable. This optimization can improve execution speed by reducing the number of times the multiply operation executes.

### Example Model

If you have the following model:



The Constant blocks have the following **Constant value**:

- Const1: `reshape(1:30,[1 5 3 2])`
- Const2: `reshape(1:20,[1 5 2 2])`
- Const3: `reshape(1:90,[1 5 9 2])`

The **Concatenate** block parameter **Mode** is set to **Multidimensional array**. The **Constant** blocks **Sample time** parameter is set to **-1**.

## Generate Code

Building the model with the **Simplify array indexing** parameter turned off generates the following code:

```
int32_T i;
int32_T i_0;
int32_T i_1;

for (i = 0; i < 2; i++) {
    for (i_1 = 0; i_1 < 3; i_1++) {
        for (i_0 = 0; i_0 < 5; i_0++) {
            ex_arrayindex_Y.Out[(i_0 + 5 * i_1) + 70 * i] =
                ex_arrayindex_P.Constant1_Value[(5 * i_1 + i_0) + 15 * i];
        }
    }
}

for (i = 0; i < 2; i++) {
    for (i_1 = 0; i_1 < 2; i_1++) {
        for (i_0 = 0; i_0 < 5; i_0++) {
            ex_arrayindex_Y.Out[(i_0 + 5 * (i_1 + 3)) + 70 * i] =
                ex_arrayindex_P.Constant2_Value[(5 * i_1 + i_0) + 10 * i];
        }
    }
}

for (i = 0; i < 2; i++) {
    for (i_1 = 0; i_1 < 9; i_1++) {
        for (i_0 = 0; i_0 < 5; i_0++) {
            ex_arrayindex_Y.Out[(i_0 + 5 * (i_1 + 5)) + 70 * i] =
                ex_arrayindex_P.Constant3_Value[(5 * i_1 + i_0) + 45 * i];
        }
    }
}
```

## Generate Code with Optimization

Open the **Configuration Parameters** dialog box and select the **Simplify array indexing** parameter on the **All Parameters** tab. Build the model again. In the generated code,

$[(i_0 + tmp_1) + tmp]$  replaces a multiply operation in the array index,  $[(i_0 + 5 * i_1) + 70 * i]$ . The generated code is now:

```

int32_T i;
int32_T i_0;
int32_T i_1;
int32_T tmp;
int32_T tmp_0;
int32_T tmp_1;

tmp = 0;
tmp_0 = 0;
for (i = 0; i < 2; i++) {
    tmp_1 = 0;
    for (i_1 = 0; i_1 < 3; i_1++) {
        for (i_0 = 0; i_0 < 5; i_0++) {
            ex_arrayindex_Y.Out[(i_0 + tmp_1) + tmp] =
                ex_arrayindex_P.Constant1_Value[(i_0 + tmp_1) + tmp_0];
        }

        tmp_1 += 5;
    }

    tmp += 70;
    tmp_0 += 15;
}

tmp = 0;
tmp_0 = 0;
for (i = 0; i < 2; i++) {
    tmp_1 = 0;
    for (i_1 = 0; i_1 < 2; i_1++) {
        for (i_0 = 0; i_0 < 5; i_0++) {
            ex_arrayindex_Y.Out[((i_0 + tmp_1) + tmp) + 15] =
                ex_arrayindex_P.Constant2_Value[(i_0 + tmp_1) + tmp_0];
        }

        tmp_1 += 5;
    }

    tmp += 70;
    tmp_0 += 10;
}

```

```
tmp = 0;
tmp_0 = 0;
for (i = 0; i < 2; i++) {
    tmp_1 = 0;
    for (i_1 = 0; i_1 < 9; i_1++) {
        for (i_0 = 0; i_0 < 5; i_0++) {
            ex_arrayindex_Y.Out[((i_0 + tmp_1) + tmp) + 25] =
                ex_arrayindex_P.Constant3_Value[(i_0 + tmp_1) + tmp_0];
        }

        tmp_1 += 5;
    }

    tmp += 70;
    tmp_0 += 45;
}
```

## Replace boolean with Specific Integer Data Type

Depending on the architecture of the processor that your production hardware uses, you can improve the execution speed of generated code. Select a specific integer data type to use for the built-in type `boolean`. Using data type replacement, in the generated code you can replace the `boolean` built-in data type with one of these integer types:

- `int8`
- `uint8`
- `int $n$`

Replace  $n$  with `8`, `16`, or `32` to match the integer word size for the production hardware.

This example shows how to replace the data type `boolean` with the integer data type `int32` in the code generated for a 32-bit hardware target.

- 1 Define a `Simulink.AliasType` object with a base type of `int32`. Name the object using the replacement name that you want to appear in the generated code.

```
mybool = Simulink.AliasType;  
mybool.BaseType = 'int32';
```

- 2 Open an ERT-based model. In the Configuration Parameters dialog box **Data Type Replacement** pane, specify the **Replacement Name** field for the data type `boolean` as `mybool`.

Data type names		
Simulink Name	Code Generation Name	Replacement Name
double	real_T	<input type="text"/>
single	real32_T	<input type="text"/>
int32	int32_T	<input type="text"/>
int16	int16_T	<input type="text"/>
int8	int8_T	<input type="text"/>
uint32	uint32_T	<input type="text"/>
uint16	uint16_T	<input type="text"/>
uint8	uint8_T	<input type="text"/>
boolean	boolean_T	mybool
int	int_T	<input type="text"/>
uint	uint_T	<input type="text"/>
char	char_T	<input type="text"/>

View the generated file `rtwtypes.h`. The code maps the identifier `mybool` to the native integer type of the target hardware by creating `typedef` statements.

```
/* Generic type definitions ... */
...
typedef int boolean_T;
...
/* Define Simulink Coder replacement data types. */
typedef boolean_T mybool; /* User defined replacement datatype for boolean_T */
```

View the generated file `model.c`. The code declares Boolean variables using the type `mybool`. For example, if the model has a Boolean output `Out1`, the generated code declares the corresponding variable using `mybool`.

```
mybool Out1; /* '<Root>/Out1' */
```

## See Also

`Simulink.AliasType`

## Related Examples

- “Data Type Replacement” on page 8-29



## **More About**

- “What Are User-Defined Data Types?” on page 8-2

## Remove Code That Guards Against Division by Zero for Fixed-Point Data

This example shows how to optimize generated code by removing code that protects against division by zero for fixed-point data. If you are sure that there is no division by zero during program execution, enable this optimization.

This optimization:

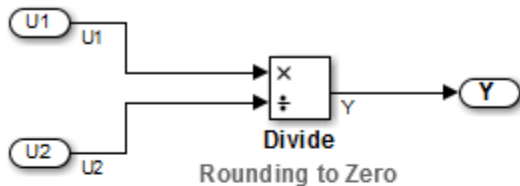
- Increases execution speed.
- Reduces ROM consumption.

**NOTE:** If you enable this optimization, it is possible that simulation results and results from generated code are not be in bit-for-bit agreement. This example requires an Embedded Coder® license.

### Example Model

In the model `rtwdemo_nzcheck`, two signals of type `int8` feed into a divide block.

```
model = 'rtwdemo_nzcheck';  
open_system(model);
```



## Generate Code

In your system's temporary folder, create a temporary folder for the build and inspection process.

```
currentDir = pwd;
[~,cgDir] = rtwdemodir();
```

Build the model.

```
set_param(model, 'NoFixptDivByZeroProtection', 'off');
rtwbuild(model);
```

```
### Starting build procedure for model: rtwdemo_nzcheck
### Successful completion of code generation for model: rtwdemo_nzcheck
```

View the generated code without the optimization. Here is a portion of `rtwdemo_nzcheck.c`.

```
cfile = fullfile(cgDir, 'rtwdemo_nzcheck_ert_rtw', 'rtwdemo_nzcheck.c');
rtwdemodbtype(cfile, '/* Real-time model', '/* Model step function', 1, 1);

/* Real-time model */
RT_MODEL_rtwdemo_nzcheck rtwdemo_nzcheck_M_;
RT_MODEL_rtwdemo_nzcheck *const rtwdemo_nzcheck_M = &rtwdemo_nzcheck_M_;
int32_T div_s32(int32_T numerator, int32_T denominator)
{
    int32_T quotient;
    uint32_T tempAbsQuotient;
    if (denominator == 0) {
        quotient = numerator >= 0 ? MAX_int32_T : MIN_int32_T;

        /* Divide by zero handler */
    } else {
        tempAbsQuotient = (numerator < 0 ? ~(uint32_T)numerator + 1U : (uint32_T)
            numerator) / (denominator < 0 ? ~(uint32_T)denominator +
            1U : (uint32_T)denominator);
        quotient = (numerator < 0) != (denominator < 0) ? -(int32_T)tempAbsQuotient :
            (int32_T)tempAbsQuotient;
    }

    return quotient;
}
```

### Enable Optimization

- 1 Open the Configuration Parameters dialog box.
- 2 On the **Optimization** pane, select **Remove code that protects against division arithmetic exceptions**.

Alternatively, you may use the command-line API to enable the optimization:

```
set_param(model, 'NoFixptDivByZeroProtection', 'on');
```

### Generate Code with Optimization

The optimized code does not contain code that checks for whether or not the divisor has a value of zero.

Build the model.

```
rtwbuild(model);  
  
### Starting build procedure for model: rtwdemo_nzcheck  
### Successful completion of code generation for model: rtwdemo_nzcheck
```

The following is a portion of `rtwdemo_nzcheck.c`.

```
rtwdemodbtype(cfile, /* Real-time model', /* Model step function', 1, 1);  
  
/* Real-time model */  
RT_MODEL_rtwdemo_nzcheck rtwdemo_nzcheck_M_  
RT_MODEL_rtwdemo_nzcheck *const rtwdemo_nzcheck_M = &rtwdemo_nzcheck_M_;
```

Close the model and code generation report.

```
bdclose(model)  
rtwdemoclean;  
cd(currentDir)
```

## Division Arithmetic Exceptions in Generated Code

The **Remove code that protects against division arithmetic exceptions** parameter in the **Optimization** pane of the Configuration Parameters controls the generation of code that protects against division arithmetic exceptions in integer and fixed-point operations. Division arithmetic exceptions include division by zero and `INT_MIN / -1`, which results in a quotient that cannot be represented.

When the parameter is selected, no code is generated to guard against these types of exceptions. This produces smaller, more efficient code, however it can affect numerical results. Select the parameter if you are sure that your model would not encounter these exceptions to optimize the efficiency of the generated code.

When the parameter is not selected, extra code will be generated to ensure that division arithmetic exceptions do not occur. The added protection code ensures numerical match between simulation and code generation for division operations at a cost of code size and performance.

### Division by Zero

Division by zero is undefined and results in a runtime error in the generated code. When the **Remove code that protects against division arithmetic exceptions** parameter is selected, the coder does not generate code that protects against division by zero. Select this option only when you are sure that your model will not produce such a division operation.

### `INT_MIN / -1`

When you divide the minimum representable value of a signed integer by negative one, the ideal result is equal to the maximum representable value plus one (`INT_MAX + 1`), which is not representable. This exception may cause the application to unexpectedly halt or crash at run-time. When the **Remove code that protects against division arithmetic exceptions** parameter is selected, the coder does not generate code that protects against this situation. Select this option only when you are sure that your model will not produce such a division operation.

The following illustrates an example of this type of exception:

```
a = int32(-2147483648);  
b = a / -1
```

The ideal quotient of this operation is 2147483648, but this is not representable in an `int32` data type, resulting in an exception at runtime.

## Other Factors Affecting Generated Code of Division Operations

In addition to the **Remove code that protects against division arithmetic exceptions** parameter, there are several other factors that can affect the appearance of code generated for division operations. The manner in which this parameter controls code generated from blocks containing MATLAB code with integer or fixed-point division operations differs from the built-in `Divide` block in Simulink. Blocks containing MATLAB code include MATLAB Function blocks and Stateflow charts using MATLAB action language. To balance the efficiency and semantics of fixed-point and integer divisions in these blocks, use `fi` objects and set the `fi $\textit{math}$`  properties to fit your needs. Usage of `fi` and `fi $\textit{math}$`  objects requires a Fixed-Point Designer license.

Rounding and overflow modes also affect the size and efficiency of the generated code. For more information, see “Wrap and Round to Floor or Simplest”.

## Related Examples

- “Remove Code That Guards Against Division by Zero for Fixed-Point Data” on page 31-16

## More About

- “Remove code that protects against division arithmetic exceptions”

## Optimize Initialization Code for a Referenced Model

This example shows how to optimize generated code by suppressing initialization code for a referenced model. The referenced model must contain blocks that have initial conditions set to zero and are not in a system that can reset its states, such as an enabled subsystem.

This optimization:

- Improves execution speed.
- Reduces ROM consumption.

### Example Model

A referenced model, `rtwdemo_optimizeModelRefInitCode_bot`, is in `rtwdemo_optimizeModelRefInitCode_top`. The referenced model contains two blocks with states, a Unit Delay block and a Discrete Time Integrator block. The initial conditions for these blocks are set to zero (default value).

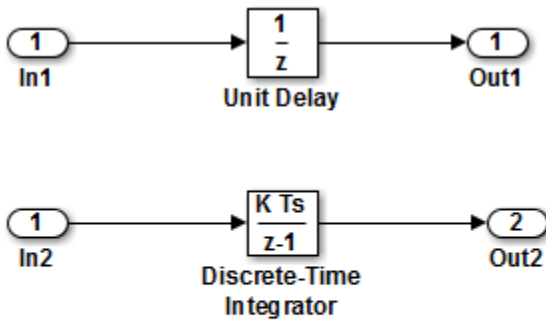
```
modelBot = 'rtwdemo_optimizeModelRefInitCode_bot';
load_system(modelBot);
set_param(modelBot, 'OptimizeModelRefInitCode', 'off');
modelBotMod = 'rtwdemo_optimizeModelRefInitCode_bot_mod';
save_system(modelBot, modelBotMod);

open_system(modelBot);

modelTop = 'rtwdemo_optimizeModelRefInitCode_top';
open_system(modelTop);
set_param([modelTop '/Model'], 'ModelName', modelBotMod);
set_param(modelTop, 'OptimizeModelRefInitCode', 'off');
```



Copyright 2014 The MathWorks, Inc



Copyright 2014 The MathWorks, Inc

**Generate Code**

In your system temporary folder, create a temporary folder for the build and inspection process.

```
currentDir = pwd;
[~,cgDir] = rtwdemodir();
```

Build the model.

```
rtwbuild(modelTop)
```



```

### Starting build procedure for model: rtwdemo_optimizeModelRefInitCode_bot_mod
### Successful completion of build procedure for model: rtwdemo_optimizeModelRefInitCode_bot_mod
### Starting build procedure for model: rtwdemo_optimizeModelRefInitCode_top
### Successful completion of build procedure for model: rtwdemo_optimizeModelRefInitCode_top

```

View the generated code without the optimization. Here is a portion of `rtwdemo_optimizeModelRefInitCode_top.c`.

```

cfile = fullfile(cgDir, 'rtwdemo_optimizeModelRefInitCode_top_ert_rtw', ...
    'rtwdemo_optimizeModelRefInitCode_top.c');
rtwdemodbtype(cfile, '/* Model initialize', '/* Model terminate', 1, 0);

/* Model initialize function */
void rtwdemo_optimizeModelRefInitCode_top_initialize(void)
{
    /* Model Initialize fcn for ModelReference Block: '<Root>/Model' */
    rtwdemo_optimizeModelRefInitCode_bot_mod_initialize(rtmGetErrorStatusPointer
        (rtM), &(rtDWork.Model_DWORK1.rtm), &(rtDWork.Model_DWORK1.rtdw));

    /* SystemInitialize for ModelReference: '<Root>/Model' */
    rtwdemo_optimizeModelRefInitCode_bot_mod_Init(&(rtDWork.Model_DWORK1.rtdw));
}

/*
 * File trailer for generated code.
 *
 * [EOF]
 */

```

### Enable Optimization

- 1 Open the Configuration Parameters dialog box.
- 2 On the **Optimization** pane, select **Optimize initialization code for model reference**.

Alternatively, you can use the command-line API to enable the optimization:

```

set_param(modelBotMod, 'OptimizeModelRefInitCode', 'on');
save_system(modelBotMod);
set_param(modelTop, 'OptimizeModelRefInitCode', 'on');

```

### Generate Code with Optimization

In the optimized code, there is no initialization code for the referenced model.

Build the model.

```
rtwbuild(modelTop)
```

```
### Starting build procedure for model: rtwdemo_optimizeModelRefInitCode_bot_mod
### Successful completion of build procedure for model: rtwdemo_optimizeModelRefInitCode_bot_mod
### Starting build procedure for model: rtwdemo_optimizeModelRefInitCode_top
### Successful completion of build procedure for model: rtwdemo_optimizeModelRefInitCode_top
```

View the optimized code in `rtwdemo_optimizeModelRefInitCode_top.c`.

```
cfile = fullfile(cgDir, 'rtwdemo_optimizeModelRefInitCode_top_ert_rtw', ...
    'rtwdemo_optimizeModelRefInitCode_top.c');
rtwdemodbtype(cfile, '/* Model initialize', '/* Model terminate', 1, 0);
```

```
/* Model initialize function */
void rtwdemo_optimizeModelRefInitCode_top_initialize(void)
{
    /* Model Initialize fcn for ModelReference Block: '<Root>/Model' */
    rtwdemo_optimizeModelRefInitCode_bot_mod_initialize(rtmGetErrorStatusPointer
        (rtM), &(rtDWork.Model_DWORK1.rtm), &(rtDWork.Model_DWORK1.rtdw));
}

/*
 * File trailer for generated code.
 *
 * [EOF]
 */
```

Close the model and the code generation report.

```
bdclose(modelTop)
rtwdemoclean;
cd(currentDir)
```

## Optimize Generated Code by Consolidating Redundant If-Else Statements

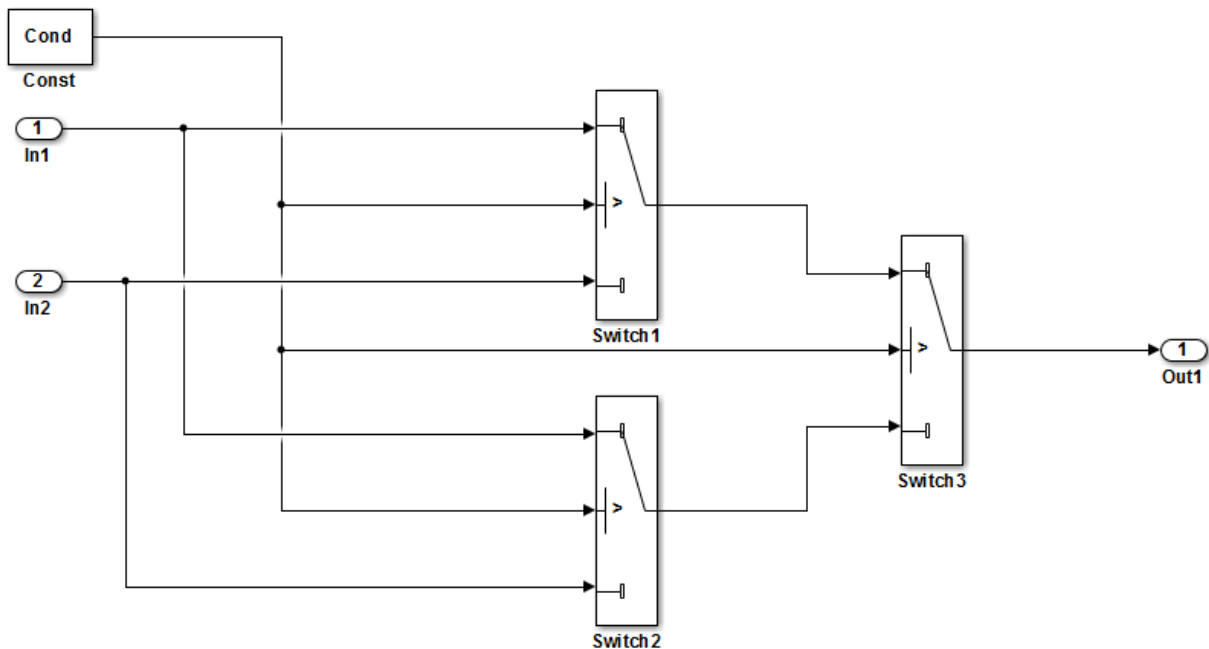
This example shows how to optimize generated code by combining `if - else` statements that share the same condition. This optimization:

- Improves control flow.
- Reduces code size.
- Reduces RAM consumption.
- Increases execution speed.

### Example

The model `rtwdemo_controlflow_opt` contains three Switch blocks. The Constant block provides the control input to the Switch blocks. The variable named `Cond` determines the value of the Constant block.

```
model = 'rtwdemo_controlflow_opt';  
open_system(model);
```



Copyright 2014 The MathWorks, Inc.

### Generate Code

Create a temporary folder for the build and inspection process.

```
currentDir = pwd;
[~,cgDir] = rtwdemodir();
```

Build the model.

```
rtwbuild(model)
```

```
### Starting build procedure for model: rtwdemo_controlflow_opt
### Successful completion of build procedure for model: rtwdemo_controlflow_opt
```

These lines of `rtwdemo_controlflow_opt.c` code show that in the generated code, two `if-else` statements and one `else-if` statement represent the three Switch blocks.

```
cfile = fullfile(cgDir,'rtwdemo_controlflow_opt_ert_rtw',...
    'rtwdemo_controlflow_opt.c');
rtwdemodbtype(cfile,'/* Model step', '/* Model initialize', 1, 0);

/* Model step function */
void rtwdemo_controlflow_opt_step(void)
{
    /* Switch: '<Root>/Switch3' incorporates:
     * Constant: '<Root>/Const'
     * Switch: '<Root>/Switch2'
     */
    if (Cond) {
        /* Switch: '<Root>/Switch1' */
        if (Cond) {
            /* Outport: '<Root>/Out1' incorporates:
             * Inport: '<Root>/In1'
             */
            rtY.Out1 = rtU.In1;
        } else {
            /* Outport: '<Root>/Out1' incorporates:
             * Inport: '<Root>/In2'
             */
            rtY.Out1 = rtU.In2;
        }

        /* End of Switch: '<Root>/Switch1' */
    } else if (Cond) {
        /* Switch: '<Root>/Switch2' incorporates:
         * Inport: '<Root>/In1'
         * Outport: '<Root>/Out1'
         */
        rtY.Out1 = rtU.In1;
    } else {
        /* Outport: '<Root>/Out1' incorporates:
         * Inport: '<Root>/In2'
         */
        rtY.Out1 = rtU.In2;
    }

    /* End of Switch: '<Root>/Switch3' */
}
```

### Enable Optimization

- 1 Open the Configuration Parameters dialog box.
- 2 On the **Code generation-> Code Style** pane, clear **Preserve condition expression in if statement**. This parameter is on by default.

Alternatively, use the command-line API to turn off the parameter:

```
set_param(model, 'PreserveIfCondition', 'off');
```

### Generate Code with Optimization

In the optimized code, the code generator consolidates the two **if-else** statements and one **else-if** statement into one **if-else** statement. The code generator consolidates these statements because they all share the same condition. There is no intervening code that affects the outcomes of these statements.

Build the model.

```
rtwbuild(model)
```

```
### Starting build procedure for model: rtwdemo_controlflow_opt  
### Successful completion of build procedure for model: rtwdemo_controlflow_opt
```

Here is the `rtwdemo_controlflow_opt.c` optimized code.

```
rtwdemodbtype(cfile, '/* Model step', '/* Model initialize', 1, 0);
```

```
/* Model step function */  
void rtwdemo_controlflow_opt_step(void)  
{  
    /* Switch: '<Root>/Switch1' incorporates:  
     * Constant: '<Root>/Const'  
     * Switch: '<Root>/Switch3'  
     */  
    if (Cond) {  
        /* Output: '<Root>/Out1' incorporates:  
         * Inport: '<Root>/In1'  
         */  
        rtY.Out1 = rtU.In1;  
    } else {  
        /* Output: '<Root>/Out1' incorporates:  
         * Inport: '<Root>/In2'  
    }  
}
```

```
    */
    rtY.Out1 = rtU.In2;
}

/* End of Switch: '<Root>/Switch1' */
}
```

Close the model and clean up.

```
bdclose(model)
rtwdemoclean;
cd(currentDir)
```

## Remove Initialization Code for Root-Level Inports and Outports Set to Zero

This example shows how to optimize generated code by removing initialization code for root-level inports and outports set to zero. If your embedded application does not require generating initialization code for external data whose value is zero, you can enable this optimization. For example, many embedded application environments initialize RAM to zero at startup, making generation of initialization code redundant. This optimization:

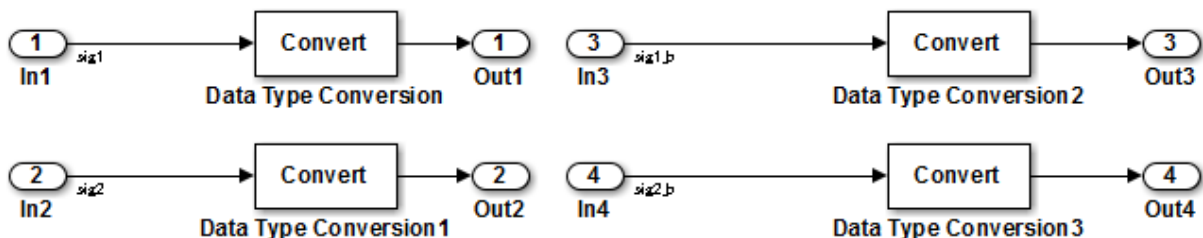
- Increases execution speed.
- Reduces ROM consumption.

**Note:** This example requires an Embedded Coder® license.

### Example

In the model `rtwdemo_rootlevel_zero_initialization`, all of the input and output signals have a numeric value of zero. Because signals `sig1` and `sig2` have data types `int16` and `Boolean`, respectively, and all of the output signals have data type `double`, these signals also have initial values of bitwise zero. The signals have an integer bit pattern of 0, meaning that all bits are off. Signals `sig1_b` and `sig2_b` have a fixed-point data type with bias, so their initial value is not bitwise zero.

```
model = 'rtwdemo_rootlevel_zero_initialization';
open_system(model);
```



Copyright 2014 The MathWorks, Inc

### Generate Code

In your system temporary folder, create a temporary folder for the build and inspection process.



```
currentDir = pwd;
[~,cgDir] = rtwdemodir();
```

Build the model.

```
set_param(model, 'ZeroExternalMemoryAtStartup', 'on');
rtwbuild(model)
```

```
### Starting build procedure for model: rtwdemo_rootlevel_zero_initialization
### Successful completion of build procedure for model: rtwdemo_rootlevel_zero_initialization
```

These lines of `rtwdemo_rootlevel_zero_initialization.c` code show the initialization of root-level inports and outports without the optimization. The four input signals are individually initialized as global variables. The four output signals are members of a global structure that the `memset` function initializes to bitwise zero.

```
cfile = fullfile(cgDir, 'rtwdemo_rootlevel_zero_initialization_ert_rtw', ...
    'rtwdemo_rootlevel_zero_initialization.c');
rtwdemodbtype(cfile, 'rtwdemo_rootlevel_zero_initialization_initialize', ...
    'trailer for generated code', 1, 0);
```

```
void rtwdemo_rootlevel_zero_initialization_initialize(void)
{
    /* Registration code */

    /* external inputs */
    sig1 = 0;
    sig2 = false;
    sig1_b = -3;
    sig2_b = -3;

    /* external outputs */
    (void) memset((void *)&rtY, 0,
        sizeof(ExternalOutputs));
}

/*
```

### Enable Optimization

- 1 Open the Configuration Parameters dialog box.
- 2 On the **Optimization** pane, select **Remove root level I/O zero initialization**.

Alternatively, use the command-line API to enable the optimization:

```
set_param(model, 'ZeroExternalMemoryAtStartup','off');
```

### Generate Code with Optimization

The optimized code does not contain initialization code for the input signals `sig1`, `sig2`, and the four output signals, because their initial values are bitwise zero.

Build the model.

```
rtwbuild(model)
```

```
### Starting build procedure for model: rtwdemo_rootlevel_zero_initialization  
### Successful completion of build procedure for model: rtwdemo_rootlevel_zero_initialization
```

Here is the `rtwdemo_rootlevel_zero_initialization.c` optimized code in the initialization function.

```
cfile = fullfile(cgDir,'rtwdemo_rootlevel_zero_initialization_ert_rtw',...  
    'rtwdemo_rootlevel_zero_initialization.c');  
rtwdemodbtype(cfile, 'rtwdemo_rootlevel_zero_initialization_initialize',...  
    'trailer for generated code', 1, 0);
```

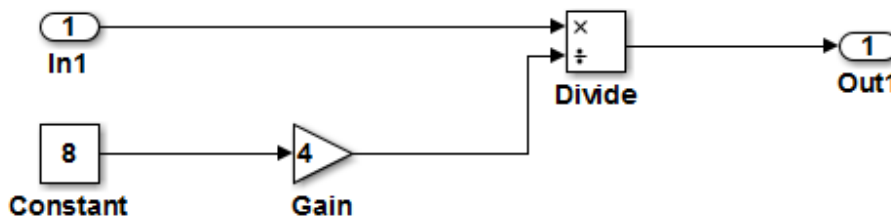
```
void rtwdemo_rootlevel_zero_initialization_initialize(void)  
{  
    /* Registration code */  
  
    /* external inputs */  
    sig1_b = -3;  
    sig2_b = -3;  
}  
  
/*
```

Close the model and the code generation report.

```
bdclose(model)  
rtwdemoclean;  
cd(currentDir)
```

## Optimize Generated Code for Fixed-Point Data Operations

This model shows optimized fixed-point operations. An expensive division operation is avoided by precomputing the constant input of the Divide block and transforming the division to a highly efficient product operation. Note that the resulting operation also includes the adjustment in signal scaling from  $2^{-3}$  to  $2^{-5}$ .



### Description

This model shows optimized fixed-point operations. An expensive division operation is avoided by precomputing the constant input of the Divide block and transforming the division to a highly efficient product operation. The entire computation is realized with a single shift-right operation. Note that the resulting operation also includes the adjustment in signal scaling from  $2^{-3}$  to  $2^{-5}$ .

### Instructions

1. Double-click the yellow button below to view the signal data types.
2. Generate and inspect the code by double-clicking the blue button below. An HTML report detailing the code is displayed automatically.

This example requires a Fixed-Point Designer license

Generate Code Using  
Embedded Coder  
(double-click)

Display Signal  
Data Types  
(double-click)

Copyright 1994-2012 The MathWorks, Inc.

## Optimize Generated Code for a Processor By Using Code Replacement

This example shows how to use code replacement to generate code that is optimized for a specific processor.

Supported IDE/tool chain:

- Texas Instruments™ Code Composer Studio™

Supported processors:

- All processors supported by IDE Link for use with Texas Instruments Code Composer Studio

### Introduction

Embedded processors and associated compilers have instructions or "intrinsic" to support certain operations that are used frequently in typical embedded applications. Such processor-specific instructions and intrinsics execute much faster than their ANSI®/ISO® C equivalents. Using these instructions or intrinsics can optimize code performance significantly. Selecting a processor code replacement library enables you to generate processor-specific code that takes advantage of special processor instructions or intrinsics.

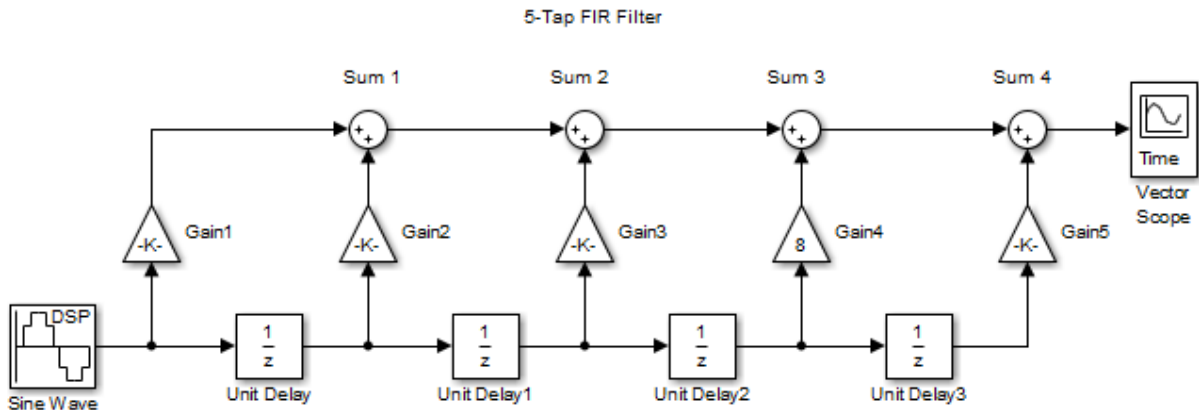
### Model Setup

1. Open the codeopt\_tfl model.
2. Open the Model Configuration Parameters dialog box and set **Code Generation > System target file** to `idelink_ert.tlc`. Click **Apply**.
3. Select **Code Generation > Coder Target**. Select **Target Hardware Resources** and set the parameters to match your target hardware. Click **OK**.

For more information on configuring the model for your target hardware, see .

```
close
open_system('codeopt_tfl');
```

## Optimizing Embedded Code via Code Replacement Library



Copyright 2008-2016 The MathWorks, Inc.

### Task 1: Generate and Profile ANSI® C Code

Profile generated code that uses only ANSI® C. This establishes a performance baseline before optimization.

For instructions on how to profile the model code, see . After you set up the model for profiling, click **Build Model** to generate code.

### Task 2: Generate Processor-Specific Code

Specify the code replacement library for your processor to generate processor-specific embedded code.

1. In the model window, select **Simulation > Model Configuration Parameters**.
2. Click **Code Generation > Interface > Code replacement library** and select the code replacement library that matches your processor family, such as TI C64x.
3. Click **OK** to save the configuration and close the dialog box.
4. Click **Build Model** to generate code.

Inspect the generated code. Note the processor-specific code, such as `c62x_mul_s32_s32_s32_sr_sat` in the `step` function.

In addition to visual inspection, you can use the Code Replacement Viewer to browse replacement functions and operations that the code replacement library supports. The tool can help you identify required conditions for target-specific code replacements. To invoke the viewer, enter the following command in the MATLAB® command window:

```
crviewer
```

For more information on using the Code Replacement Viewer, see Code Replacement Viewer.

### Task 3: Assess Performance Improvement

Profile the processor-specific code to verify that performance improved. Follow the profiling instructions you used in Task 1.

You can explore further performance improvement opportunities by using the Code Replacement Viewer. For example, if you are generating code for a TI C64x™ DSP, the Code Replacement Viewer shows you that the TI C64x code replacement library contains many arithmetic operations for integer and fixed-point data types. In this model, the Sum4 block outputs data of type `double`, which is not supported by an entry in the TI C64x code replacement library table. If you change the Sum4 block output data type to fixed-point, such as `fixdt(1, 32, 11)`, your code gains additional performance improvement by using TI C64x intrinsic code for the block's addition operation at the cost of a decrease in numerical precision.

Regenerate and profile the generated code to confirm further performance improvement.

### Task 4: Develop and Register a Custom Code Replacement Library

If you prefer your own implementation for code replacement library, you can develop and register your own code replacement library. See the example “Optimize Generated Code By Developing and Using Code Replacement Libraries - Simulink®”.

```
close_system('codeopt_tf1', 0);
```

```
% LocalWords: supportedio intrinsics helptargets tgtprefsetup idelinkdemodir  
% LocalWords: ticcs lfccsworkflow mul sr rtwdemo crl
```

# Memory Usage

---

- “Optimize Generated Code Using Minimum and Maximum Values” on page 32-2
- “Flat Structures for Reusable Subsystem Parameters” on page 32-9
- “Reduce Global Variables in Nonreusable Subsystem Functions” on page 32-13
- “Optimize Generated Code By Packing Boolean Data Into Bitfields” on page 32-16
- “Optimize Generated Code By Passing Reusable Subsystem Outputs as Individual Arguments” on page 32-19
- “Optimize Memory Usage for Vector Signal Assignments” on page 32-24

## Optimize Generated Code Using Minimum and Maximum Values

To optimize the generated code for your model, you can choose an option to use input range information, also known as *design minimum and maximum*, that you specify on signals and parameters. These minimum and maximum values usually represent environmental limits, such as temperature, or mechanical and electrical limits, such as output ranges of sensors.

In the Configuration Parameters dialog box, on the **Optimization** tab, when you select the **Optimize using specified minimum and maximum values** check box, the software uses the minimum and maximum values to derive range information for downstream signals in the model. It then uses this derived range information to determine if it is possible to streamline the generated code by:

- Reducing expressions to constants
- Removing dead branches of conditional statements
- Eliminating unnecessary mathematical operations

This optimization results in:

- Reduced ROM and RAM consumption
- Improved execution speed

### Configure Your Model

To make optimization more likely:

- Provide as much design minimum and maximum information as possible. Specify minimum and maximum values for signals and parameters in the model for:
  - Inport and Outport blocks
  - Block outputs
  - Block inputs, for example, for the MATLAB Function and Stateflow Chart blocks
  - Simulink.Signal objects
- Before generating code, test the minimum and maximum values for signals and parameters. Otherwise, optimization might result in numerical mismatch with simulation. You can simulate your model with simulation range checking enabled. If errors or warnings occur, fix these issues before generating code.



### Enable Simulation Range Checking

- 1 In your model, select **Simulation > Model Configuration Parameters** to open the Configuration Parameters dialog box.
  - 2 In the Configuration Parameters dialog box, select **Diagnostics > Data Validity**.
  - 3 On the **Data Validity** pane, under **Signals**, set **Simulation range checking** to **warning** or **error**.
- Provide design minimum and maximum information upstream of blocks as close to the inputs of the blocks as possible. If you specify minimum and maximum values for a block output, these values are most likely to affect the outputs of the blocks immediately downstream.

## Optimize Generated Code Using Specified Minimum and Maximum Values

This example shows how the minimum and maximum values specified on signals and parameters in a model are used to optimize the generated code.

### Overview

The specified minimum and maximum values usually represent environmental limits, such as temperature, or mechanical and electrical limits, such as output ranges of sensors.

This optimization uses these values to streamline the generated code. For example, it reduces expressions to constants or removes dead branches of conditional statements.

**NOTE:** Make sure the minimum and maximum values that you specify are valid limits. Otherwise, this optimization might result in numerical mismatch with simulation.

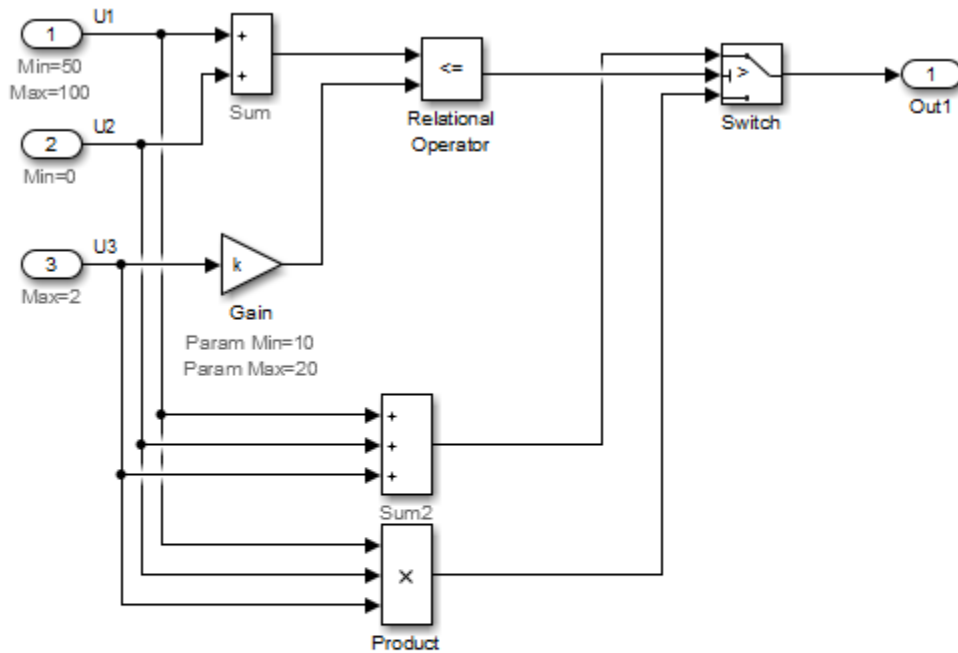
The benefits of optimizing the generated code are:

- Reducing the ROM and RAM consumption.
- Improving the execution speed.

### Review Minimum and Maximum Information

Consider the model `rtwdemo_minmax`. In this model, there are minimum and maximum values specified on Inports and on the gain parameter of the Gain block.

```
model = 'rtwdemo_minmax';
open_system(model);
```



Optimizing generated code using the specified minimum and maximum values

Copyright 2010-2011 The MathWorks, Inc.

### Generate Code Without This Optimization

First, generate code for this model without considering the min and max values.

```
currentDir = pwd;
[~,cgDir] = rtwdemodir();
rtwconfiguredemo(model,'ERT')
rtwbuild(model)
```

```
### Starting build procedure for model: rtwdemo_minmax
### Successful completion of build procedure for model: rtwdemo_minmax
```

A portion of `rtwdemo_minmax.c` is listed below.

```
cfile = fullfile(cgDir, 'rtwdemo_minmax_ert_rtw', 'rtwdemo_minmax.c');
rtwdemodbtype(cfile, '/* Model step', '/* Model initialize', 1, 0);
```

```
/* Model step function */
void rtwdemo_minmax_step(void)
{
    /* Switch: '<Root>/Switch' incorporates:
     * Gain: '<Root>/Gain'
     * Inport: '<Root>/U1'
     * Inport: '<Root>/U2'
     * Inport: '<Root>/U3'
     * RelationalOperator: '<Root>/Relational Operator'
     * Sum: '<Root>/Sum'
     */
    if (U1 + U2 <= k * U3) {
        /* Outport: '<Root>/Out1' incorporates:
         * Sum: '<Root>/Sum2'
         */
        rtY.Out1 = (U1 + U2) + U3;
    } else {
        /* Outport: '<Root>/Out1' incorporates:
         * Product: '<Root>/Product'
         */
        rtY.Out1 = U1 * U2 * U3;
    }

    /* End of Switch: '<Root>/Switch' */
}
}
```

### Enable This Optimization

- 1 Open the Configuration Parameters dialog box.
- 2 On the **All Parameters** tab, select **Optimize using the specified minimum and maximum values**.

Alternatively, you can enable this optimization by setting the command-line parameter.

```
set_param(model, 'UseSpecifiedMinMax', 'on');
```

### Generate Code With This Optimization

In the model, with the specified minimum and maximum values for U1 and U2, the sum of U1 and U2 has a minimum value of 50. Considering the range of U3 and the specified minimum and maximum values for the Gain block parameter, the maximum value of the Gain block's output is 40.

The output of the Relational Operator block remains false, and the output of the Switch block remains the product of the three inputs.

Configure and build the model using Embedded Coder.

```
rtwconfiguredemo(model, 'ERT')
rtwbuild(model)

### Starting build procedure for model: rtwdemo_minmax
### Successful completion of build procedure for model: rtwdemo_minmax
```

View the optimized code from `rtwdemo_minmax.c`.

```
cfile = fullfile(cgDir, 'rtwdemo_minmax_ert_rtw', 'rtwdemo_minmax.c');
rtwdemodbtype(cfile, '/* Model step', '/* Model initialize', 1, 0);
```

```
/* Model step function */
void rtwdemo_minmax_step(void)
{
    /* Outport: '<Root>/Out1' incorporates:
     * Inport: '<Root>/U1'
     * Inport: '<Root>/U2'
     * Inport: '<Root>/U3'
     * Product: '<Root>/Product'
     * Switch: '<Root>/Switch'
     */
    rtY.Out1 = U1 * U2 * U3;
}
```

Close the model and cleanup.

```
bdclose(model)
rtwdemoclean;
```

```
cd(currentDir)
```

## Limitations

- This optimization does not take into account minimum and maximum values for:
  - Merge block inputs. To work around this issue, use a `Simulink.Signal` object on the Merge block output and specify the range on this object.
  - Bus elements.
  - Conditionally-executed subsystem (such as a triggered subsystem) block outputs that are directly connected to an `Outputport` block.

`Outputport` blocks in conditionally-executed subsystems can have an initial value specified for use only when the system is not triggered. In this case, the optimization cannot use the range of the block output because the range might not cover the initial value of the block.

- If you use Polyspace software to verify code generated using this optimization, it might mark code that was previously green as orange. For example, if your model contains a division where the range of the denominator does not include zero, the generated code does not include protection against division by zero. Polyspace might mark this code orange because it does not have information about the minimum and maximum values for the inputs to the division.

Polyspace Code Prover automatically captures some minimum and maximum values specified in the MATLAB workspace, for example, for `Simulink.Signal` and `Simulink.Parameter` objects. In this example, to provide range information to the Polyspace software, use a `Simulink.Signal` object on the input of the division and specify a range that does not include zero.

Polyspace Code Prover stores these values in a Data Range Specification (DRS) file. However, they do not capture all minimum and maximum values in your Simulink model. To provide additional minimum and maximum information to Polyspace, you can manually define a DRS file.

- If you are using double-precision data types and the **Code Generation > Interface > Support non-finite numbers** configuration parameter is selected, this optimization does not occur.
- If your model contains multiple instances of a reusable subsystem and each instance uses input signals with different minimum and maximum values, this optimization might result in different generated code for each subsystem so code reuse does not

occur. Without this optimization, code is generated once for the subsystem and shares this code among the multiple instances of the subsystem.

- The Model Advisor DO-178C/DO-331 check **Check safety-related optimization settings** generates a warning if this option is selected. For many safety-critical applications, removing dead code automatically is unacceptable because doing so might make code untraceable. For more information about using the check to comply with DO-178C/DO-331, see Check safety-related optimization settings.

## Flat Structures for Reusable Subsystem Parameters

This example shows how to increase the efficiency of code generated for reusable subsystems by generating a single flat parameter structure instead of a hierarchy of nested parameter structures.

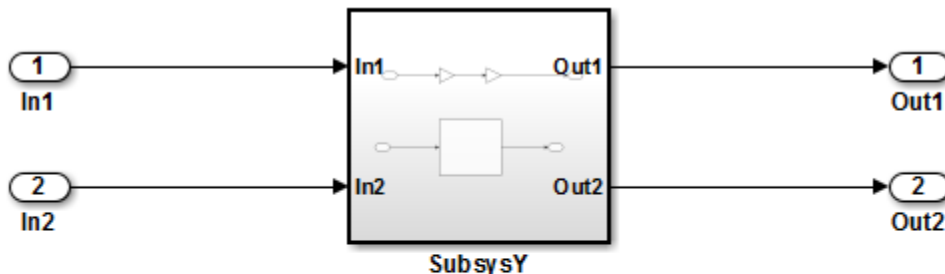
By default, the code generated for reusable subsystems contains separate structures to define the parameters that each subsystem uses. If you use nested reusable subsystems, the generated code creates a hierarchy of nested parameter structures. Hierarchies of structures can reduce code efficiency due to compiler padding between word boundaries in memory.

This optimization is for only ERT-based targets. You must set the configuration parameter **Default parameter behavior** to **Inlined**.

### Explore Example Model

Open the example model `rtwdemo_paramstruct`.

```
model = 'rtwdemo_paramstruct';
open_system(model);
```



Copyright 2014 The MathWorks, Inc.

The model contains two nested reusable subsystems. Each subsystem uses two of the parameters A, B, C, and D that are defined in the base workspace.

### Generate Code with Hierarchical Parameter Structures

Create a temporary folder to contain the model build files. Generate code for the model using the default hierarchical data structure for reusable subsystems.

```
currentDir = pwd;
[~,cgDir] = rtwmodedir();
rtwbuild(model)

### Starting build procedure for model: rtwdemo_paramstruct
### Successful completion of build procedure for model: rtwdemo_paramstruct
```

In the code generation report, view the parameter structure definitions in the file `rtwdemo_paramstruct.h`.

```
cfile = fullfile(cgDir,'rtwdemo_paramstruct_ert_rtw','rtwdemo_paramstruct.h');
rtwdemodbtype(cfile,'/* Parameters for system: '<S1>/SubsysZ''',...
    '/* Parameters (auto storage)', 1, 0);

/* Parameters for system: '<S1>/SubsysZ' */
struct P_SubsysZ_ {
    uint16_T C;                /* Variable: C
                               * Referenced by: '<S2>/Gain3'
                               */
    uint16_T D;                /* Variable: D
                               * Referenced by: '<S2>/Gain4'
                               */
};

/* Parameters for system: '<S1>/SubsysZ' */
typedef struct P_SubsysZ_ P_SubsysZ;

/* Parameters for system: '<Root>/SubsysY' */
struct P_SubsysY_ {
    uint16_T A;                /* Variable: A
                               * Referenced by: '<S1>/Gain1'
                               */
    uint16_T B;                /* Variable: B
                               * Referenced by: '<S1>/Gain2'
                               */
    P_SubsysZ SubsysZ_m;       /* '<S1>/SubsysZ' */
};

/* Parameters for system: '<Root>/SubsysY' */
```



```
typedef struct P_SubsysY_ P_SubsysY;
```

The code defines a parameter structure for each reusable subsystem and nests the structures.

### Enable Optimization

Open the Configuration Parameters dialog box. On the **Optimization > Signals and Parameters** pane, select **Nonhierarchical** in the **Parameter structure** drop-down list.

Alternatively, enable the optimization at the command prompt.

```
set_param(model, 'InlinedParameterPlacement', 'NonHierarchical');
```

### Generate Code with Flat Parameter Structure

Generate code for the model using a flat parameter structure for reusable subsystems.

```
rtwbuild(model)

### Starting build procedure for model: rtwdemo_paramstruct
### Successful completion of build procedure for model: rtwdemo_paramstruct
```

In the code generation report, view the parameter structure definition in the file `rtwdemo_paramstruct.h`.

```
rtwdemodbtype(cfile, '/* Parameters (auto storage) */', ...
              '/* Real-time Model Data Structure */', 1, 0);

/* Parameters (auto storage) */
struct P_ {
    uint16_T A;          /* Variable: A
                        * Referenced by: '<S1>/Gain1'
                        */
    uint16_T B;          /* Variable: B
                        * Referenced by: '<S1>/Gain2'
                        */
    uint16_T C;          /* Variable: C
                        * Referenced by: '<S2>/Gain3'
                        */
    uint16_T D;          /* Variable: D
                        * Referenced by: '<S2>/Gain4'
                        */
};
```

```
};  
  
/* Parameters (auto storage) */  
typedef struct P_ P;
```

The code stores all of the parameters for the reusable subsystems in a single flat structure.

Close the model and delete build files.

```
bdclose(model)  
rtwdemoclean;  
cd(currentDir)
```

## Reduce Global Variables in Nonreusable Subsystem Functions

### In this section...

“Generate void-void Function” on page 32-13

“Generate Function with Arguments” on page 32-14

Global variables can increase memory requirements and reduce execution speed. To reduce global RAM for a nonreusable subsystem, you can generate a function interface that passes data through arguments instead of global variables. The Subsystem block parameter “Function interface” provides this option. To compare the outputs for the **Function interface** options, first generate a function for a subsystem with a `void-void` interface, and then generate a function with arguments.

### Generate void-void Function

By default, when you configure a Subsystem block as a nonreusable function, it generates a `void-void` interface.

- 1 Open the example model `rtwdemo_roll`.
- 2 Right-click the subsystem `RollAngleReference`. From the list select **Block Parameter (Subsystem)**.
- 3 In the Block Parameter dialog box, confirm that the **Treat as atomic unit** check box is selected.
- 4 Click the **Code Generation** tab and set the **Function packaging** parameter to **Nonreusable function**.
- 5 The **Function interface** parameter is already set to `void_void`.
- 6 Click **Apply** and **OK**.
- 7 Repeat steps 2–6, for the other subsystems `HeadingMode` and `BasicRollMode`.
- 8 Generate code and the static code metrics report for `rtwdemo_roll`. This model is configured to generate a code generation report and to open the report automatically. For more information, see “Generate Static Code Metrics Report for Simulink Model” on page 19-41.

In the code generation report, in `rtwdemo_roll.c`, the generated code for subsystem `RollAngleReference` contains a `void-void` function definition:

```
void rtwdemo_roll_RollAngleReference(void)
```

```
{
  ...
}
```

In the static code metrics report, navigate to **Global Variables**. With the `void_void` option, the number of bytes for global variables is 59.

## 2. Global Variables [\[hide\]](#)

Global variables defined in the generated code.

Global Variable	Size (bytes)	Reads / Writes	Reads / Writes in a Function
[+] <a href="#">rtwdemo_roll_U</a>	26	14	6
[+] <a href="#">rtwdemo_roll_B</a>	16	16	8
[+] <a href="#">rtwdemo_roll_DW</a>	9	18	15
[+] <a href="#">rtwdemo_roll_M</a>	4	0*	0*
[+] <a href="#">rtwdemo_roll_Y</a>	4	2	2
<b>Total</b>	<b>59</b>	<b>50</b>	

\* The global variable is not directly used in any function.

Next, generate the same function with the `Allow arguments` option to compare the results.

## Generate Function with Arguments

To reduce global RAM, improve ROM usage and execution speed, generate a function that allows arguments:

- 1 Open the Subsystem Block Parameter dialog box for `RollAngleReference`.
- 2 Click the **Code Generation** tab. Set the **Function interface** parameter to `Allow arguments`.
- 3 Click **Apply** and **OK**.
- 4 Repeat steps 2 and 3, for the other subsystems `HeadingMode` and `BasicRollMode`.
- 5 Generate code and the static code metrics report for `rtwdemo_roll`.

In the code generation report, in `rtwdemo_roll.c`, the generated code for subsystem `RollAngleReference` now has arguments:

```

real32_T rtwdemo_roll_RollAngleReference(real32_T rtu_Turn_Knob,...
                                         boolean_T rtu_AP_Eng,...
                                         real32_T rtu_Phi)
{
  ...
}

```

In the static code metrics report, navigate to **Global Variables**. With the **Allow arguments** option set, the total number of bytes for global variables is now 47 bytes.

## 2. Global Variables [\[hide\]](#)

Global variables defined in the generated code.

Global Variable	Size (bytes)	Reads / Writes	Reads / Writes in a Function
[+] <a href="#">rtwdemo_roll_U</a>	26	11	8
[+] <a href="#">rtwdemo_roll_DW</a>	9	18	15
[+] <a href="#">rtwdemo_roll_B</a>	4	2	1
[+] <a href="#">rtwdemo_roll_M</a>	4	0*	0*
[+] <a href="#">rtwdemo_roll_Y</a>	4	2	2
<b>Total</b>	<b>47</b>	<b>33</b>	

\* The global variable is not directly used in any function.

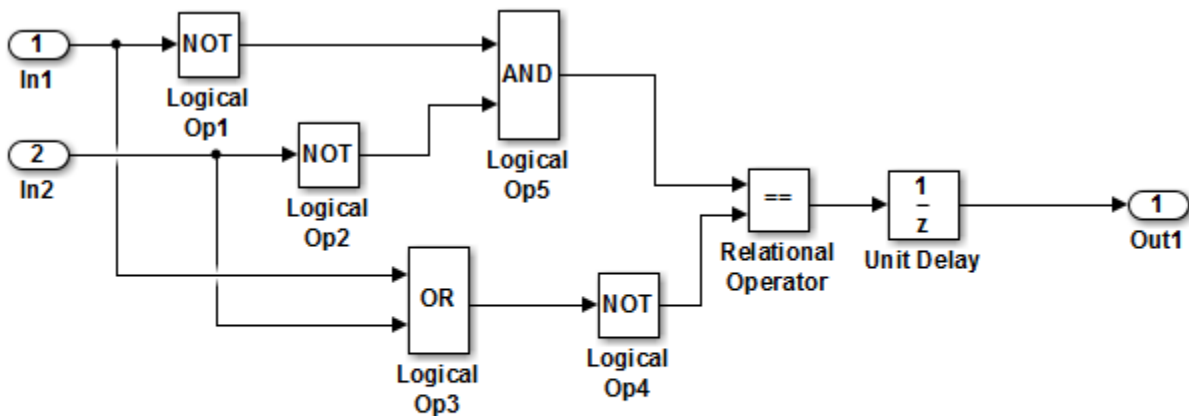
## Optimize Generated Code By Packing Boolean Data Into Bitfields

This example shows how to optimize the generated code by packing Boolean data into bitfields. When you select the model configuration parameter **Pack Boolean data into bitfields**, Embedded Coder® packs the Boolean signals into 1-bit bitfields, reducing RAM consumption. By default, the optimization is enabled. This optimization reduces the RAM consumption. Be aware that this optimization can potentially increase code size and execution speed.

### Example Model

Consider the model `rtwdemo_pack_boolean`.

```
model = 'rtwdemo_pack_boolean';
open_system(model);
```



Copyright 2014 The MathWorks, Inc.

### Disable Optimization

- 1 Open the Configuration Parameters dialog box.
- 2 On the **Optimization > Signals and Parameters** pane, clear **Pack Boolean data into bitfields**.

Alternatively, you can use the command-line API to disable the optimization:

```
set_param(model, 'BooleansAsBitfields', 'off');
```

Create a temporary folder (in your system temporary folder) for the build and inspection process.

```
currentDir = pwd;
[~,cgDir] = rtwdemodir();
```

### Generate Code Without Optimization

Build the model using Embedded Coder®.

```
rtwbuild(model)
```

```
### Starting build procedure for model: rtwdemo_pack_boolean
### Successful completion of build procedure for model: rtwdemo_pack_boolean
```

View the generated code without the optimization. These lines of code are in `rtwdemo_pack_boolean.h`.

```
hfile = fullfile(cgDir, 'rtwdemo_pack_boolean_ert_rtw', 'rtwdemo_pack_boolean.h');
rtwdemodbtype(hfile, '/* Block signals and states', '/* External inputs', 1, 0);
```

```
/* Block signals and states (auto storage) for system '<Root>' */
typedef struct {
    boolean_T LogicalOp1;           /* '<Root>/Logical Op1' */
    boolean_T LogicalOp2;           /* '<Root>/Logical Op2' */
    boolean_T LogicalOp5;           /* '<Root>/Logical Op5' */
    boolean_T LogicalOp3;           /* '<Root>/Logical Op3' */
    boolean_T LogicalOp4;           /* '<Root>/Logical Op4' */
    boolean_T RelationalOperator;    /* '<Root>/Relational Operator' */
    boolean_T UnitDelay_DSTATE;     /* '<Root>/Unit Delay' */
} DW;
```

### Enable Optimization

- 1 Open the Configuration Parameters dialog box.
- 2 On the **Optimization > Signals and Parameters** pane, select **Pack Boolean data into bitfields**.

Alternatively, you can use the command-line API to enable the optimization:

```
set_param(model, 'BooleansAsBitFields', 'on');
```

### Generate Code with Optimization

Build the model using Embedded Coder®.

```
rtwbuild(model)
```

```
### Starting build procedure for model: rtwdemo_pack_boolean  
### Successful completion of build procedure for model: rtwdemo_pack_boolean
```

View the generated code with the optimization. These lines of code are in `rtwdemo_pack_boolean.h`.

```
hfile = fullfile(cgDir, 'rtwdemo_pack_boolean_ert_rtw', 'rtwdemo_pack_boolean.h');  
rtwdemodbtype(hfile, '/* Block signals and states', '/* External inputs', 1, 0);
```

```
/* Block signals and states (auto storage) for system '<Root>' */  
typedef struct {  
    struct {  
        uint_T LogicalOp1:1;           /* '<Root>/Logical Op1' */  
        uint_T LogicalOp2:1;           /* '<Root>/Logical Op2' */  
        uint_T LogicalOp5:1;           /* '<Root>/Logical Op5' */  
        uint_T LogicalOp3:1;           /* '<Root>/Logical Op3' */  
        uint_T LogicalOp4:1;           /* '<Root>/Logical Op4' */  
        uint_T RelationalOperator:1;   /* '<Root>/Relational Operator' */  
        uint_T UnitDelay_DSTATE:1;    /* '<Root>/Unit Delay' */  
    } bitsForTID0;  
} DW;
```

Selecting **Pack Boolean data into bitfields** enables model configuration parameter **Bitfield declarator type specifier**. To optimize your code further, select `uchar_t`. However, the optimization benefit of the **Bitfield declarator type specifier** setting depends on your choice of target.

Close the model and code generation report.

```
bdclose(model)  
rtwdemoclean;  
cd(currentDir)
```



## Optimize Generated Code By Passing Reusable Subsystem Outputs as Individual Arguments

This example shows how passing reusable subsystem outputs as individual arguments can optimize the generated code.

### Overview

By default, the outputs of functions generated by reusable subsystems are passed as a pointer to a structure that is stored in global memory.

This optimization changes the function signature such that the outputs of the function are passed as pointers to local variables. This allows the reduction of global memory. The code generator also might remove data copies when global memory structures are passed into the function when outputs are not passed individually.

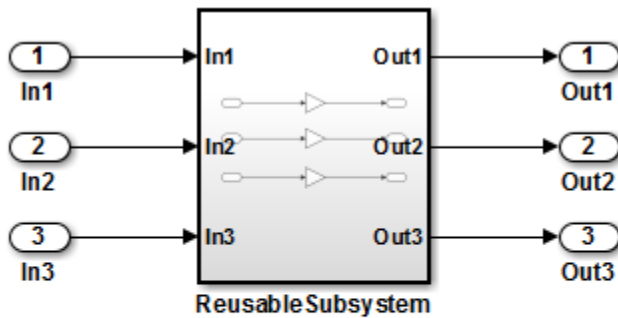
The benefits of this optimization are to:

- Reduce the RAM consumption.
- Improve the execution speed by removing data copies.

### Review the Model

Consider the model `rtwdemo_reusable_sys_outputs`. In this model, the reusable subsystem outputs feed the root outputs of the model.

```
model = 'rtwdemo_reusable_sys_outputs';  
open_system(model);
```



Copyright 2014 The MathWorks, Inc.

### Generate Code Without This Optimization

Generate code for this model while passing subsystem outputs as a structure reference. Create a temporary folder (in your system's temporary folder) for the build and inspection process.

```
currentDir = pwd;
[~,cgDir] = rtwdemodir();
```

Build the model.

```
rtwbuild(model)
```

```
### Starting build procedure for model: rtwdemo_reusable_sys_outputs
### Successful completion of build procedure for model: rtwdemo_reusable_sys_outputs
```

Portions of `rtwdemo_reusable_sys_outputs.c` are listed below. Notice the global block I/O structure and in the model step function a data copy from this structure.

```
cfile = fullfile(cgDir,'rtwdemo_reusable_sys_outputs_ert_rtw',...
'rtwdemo_reusable_sys_outputs.c');
rtwdemodbtype(cfile,'/* Output and update for atomic system',...
'/* Model initialize', 1, 0);
```

```

/* Output and update for atomic system: '<Root>/ReusableSubsystem' */
void ReusableSubsystem(real_T rtu_In1, real_T rtu_In2, real_T rtu_In3,
    DW_ReusableSubsystem *localDW)
{
    /* Gain: '<S1>/Gain' */
    localDW->Gain = 5.0 * rtu_In1;

    /* Gain: '<S1>/Gain1' */
    localDW->Gain1 = 6.0 * rtu_In2;

    /* Gain: '<S1>/Gain2' */
    localDW->Gain2 = 7.0 * rtu_In3;
}

/* Model step function */
void rtwdemo_reusable_sys_outputs_step(void)
{
    /* Outputs for Atomic SubSystem: '<Root>/ReusableSubsystem' */

    /* Inport: '<Root>/In1' incorporates:
     * Inport: '<Root>/In2'
     * Inport: '<Root>/In3'
     */
    ReusableSubsystem(rtU.In1, rtU.In2, rtU.In3, &rtDW.ReusableSubsystem_d);

    /* End of Outputs for SubSystem: '<Root>/ReusableSubsystem' */

    /* Outport: '<Root>/Out1' */
    rtY.Out1 = rtDW.ReusableSubsystem_d.Gain;

    /* Outport: '<Root>/Out2' */
    rtY.Out2 = rtDW.ReusableSubsystem_d.Gain1;

    /* Outport: '<Root>/Out3' */
    rtY.Out3 = rtDW.ReusableSubsystem_d.Gain2;
}

```

### Enable This Optimization

- 1 Open the Configuration Parameters dialog box.
- 2 On the **Optimization > Signals and Parameters** pane, set **Pass reusable subsystem outputs as** to Individual arguments.

Alternatively, you can use the command-line API to enable the optimization:

```
set_param(model, 'PassReuseOutputArgsAs', 'Individual arguments');
```

### Generate Code With This Optimization

With this optimization, the `ReusableSubsystem` function takes three output arguments, which are direct references to the external outputs. The `rtDW` global structure no longer exists and the data copies from this structure to the `rtY` (external outputs) structure are removed.

Build the model.

```
rtwbuild(model)
```

```
### Starting build procedure for model: rtwdemo_reusable_sys_outputs  
### Successful completion of build procedure for model: rtwdemo_reusable_sys_outputs
```

A portion of `rtwdemo_reusable_sys_outputs.c` is listed below. Observe the optimized code.

```
rtwdemodbtype(cfile, /* Output and update for atomic system',...  
/* Model initialize', 1, 0);  
  
/* Output and update for atomic system: '<Root>/ReusableSubsystem' */  
void ReusableSubsystem(real_T rtu_In1, real_T rtu_In2, real_T rtu_In3, real_T  
    *rty_Out1, real_T *rty_Out2, real_T *rty_Out3)  
{  
    /* Gain: '<S1>/Gain' */  
    *rty_Out1 = 5.0 * rtu_In1;  
  
    /* Gain: '<S1>/Gain1' */  
    *rty_Out2 = 6.0 * rtu_In2;  
  
    /* Gain: '<S1>/Gain2' */  
    *rty_Out3 = 7.0 * rtu_In3;  
}  
  
/* Model step function */  
void rtwdemo_reusable_sys_outputs_step(void)  
{  
    /* Outputs for Atomic SubSystem: '<Root>/ReusableSubsystem' */  
  
    /* Inport: '<Root>/In1' incorporates:  
    * Inport: '<Root>/In2'  
    * Inport: '<Root>/In3'
```

```
    */  
    ReusableSubsystem(rtU.In1, rtU.In2, rtU.In3, &rtY.Out1, &rtY.Out2, &rtY.Out3);  
  
    /* End of Outputs for SubSystem: '<Root>/ReusableSubsystem' */  
}
```

Close the model and cleanup.

```
bdclose(model)  
rtwdemoclean;  
cd(currentDir)
```

## More About

- “Pass reusable subsystem outputs as”

## Optimize Memory Usage for Vector Signal Assignments

The code generator optimizes generated code for vector signal assignments by trying to replace `for` loop controlled element assignments and `memcpy` function calls with pointer assignments. Pointer assignments avoid expensive data copies. Therefore, they use less stack space and offer faster execution speed than `for` loop controlled element assignments and `memcpy` function calls. If you assign large data sets to vector signals, this optimization can result in significant improvements to code efficiency.

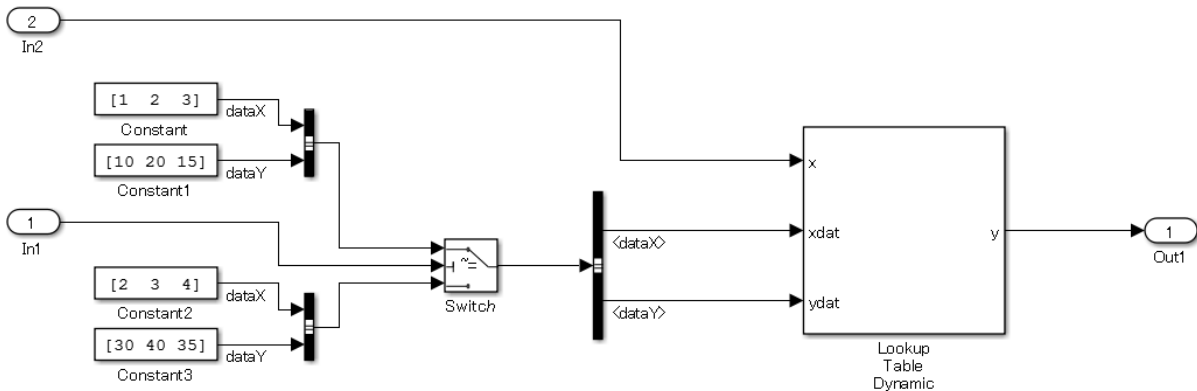
### Configure Model to Optimize Generated Code for Vector Signal Assignments

To apply this optimization:

- 1 Verify that your target supports the `memcpy` function.
- 2 Determine whether your model uses vector signal assignments (such as `Y=expression`) to move large amounts of data. For example, your model could use a **Selector** block to select input elements from a vector, matrix, or multidimensional signal.
- 3 On the **Optimization > Signals and Parameters** pane, the **Use memcpy for vector assignment** option, which is on by default, enables the associated parameter **Memcpy threshold (bytes)**.
- 4 Examine the setting of **Memcpy threshold (bytes)**. By default, it specifies 64 bytes as the minimum array size for which `memcpy` function calls or pointer assignments can replace `for` loops in the generated code. Based on the array sizes in your application's vector signal assignments, and target environment considerations on the threshold selection, accept the default or specify another array size. For more information, see “Use memcpy for vector assignment” and “Memcpy threshold (bytes)”.

### Example Model

Consider the following model named `dynamiclookup`. This model uses a **Switch** block to assign data to a vector signal. This signal then feeds into a **Bus Selector** block.



Clearing the **Use memcopy for vector assignment** option produces this code for the vector signal assignment.

```
int16_T rtb_dataX[3];
int16_T rtb_dataY[3];
int32_T i;
for (i = 0; i < 3; i++) {
    if (dynamiclookup_U.In1) {
        rtb_dataX[i] = rtCP_Constant_Value[i];
        rtb_dataY[i] = rtCP_Constant1_Value[i];
    } else {
        rtb_dataX[i] = rtCP_Constant2_Value[i];
        rtb_dataY[i] = rtCP_Constant3_Value[i];
    }
}
```

Without the optimization, the generated code contains **for** loop controlled element assignments.

Selecting the **Use memcopy for vector assignment** option and changing the default setting of the **Memcopy threshold (bytes)** parameter from 64 bytes to 0 bytes produces this code for the vector signal assignment.

```
const int16_T *rtb_dataX_0;
const int16_T *rtb_dataY_0;
if (dynamiclookup_U.In1) {
    rtb_dataX_0 = &rtCP_Constant_Value[0];
    rtb_dataY_0 = &rtCP_Constant1_Value[0];
} else {
```

```
    rtb_dataX_0 = &rtCP_Constant2_Value[0];  
    rtb_dataY_0 = &rtCP_Constant3_Value[0];  
}
```

Because the setting of the **Memcpy threshold (bytes)** parameter is below the array sizes in the generated code, the optimized code contains pointer assignments for the vector signal assignments.



# Verification



# Code Tracing

---

- “What Is Code Tracing?” on page 33-2
- “Traceability Tags” on page 33-5
- “Trace Code to Model Objects Using Hyperlinks” on page 33-6
- “Trace Model Objects to Generated Code” on page 33-8
- “Trace Stateflow Objects in Generated Code” on page 33-11
- “Link Generated Code to Requirements” on page 33-24
- “Reload Existing Traceability Information” on page 33-29
- “Customize Traceability Reports” on page 33-30
- “Generate a Traceability Matrix” on page 33-32
- “Traceability Limitations” on page 33-33

## What Is Code Tracing?

Code tracing (traceability) involves using hyperlinks to navigate between a line of generated code and its corresponding object in a model. You can also right-click an object in a model to find the line of code that corresponds to that object. This two-way navigation is *bidirectional* traceability.

Code tracing provides a way to:

- Verify generated code. You can identify which model object corresponds to a line of code and keep track of code from different objects that you have or have not reviewed.
- Include comments in code generated for large-scale models. You can identify objects in generated code and avoid manually entering comments or descriptions.

The HTML code generation report that the code generator produces for a model includes resources that support code tracing:

- Code element hyperlinks (indicated with underlining) that you can use to trace through and toggle between generated source and header files.
- Tags in code comments that identify objects in a model from which lines of code are generated.

## Traceable Objects

Bidirectional traceability is supported for blocks and the following Stateflow Objects:

- States
- Transitions
- MATLAB functions

---

**Note:** Traceability is not supported for external code that you call from a MATLAB function.

---

- Truth Table blocks and truth table functions
- Graphical functions
- Simulink functions
- State transition tables

Traceability in one direction is supported for these Stateflow objects:

- Events (code-to-model)

Code-to-model traceability works for explicit events, but not implicit events. Clicking a hyperlink for an explicit event in the generated code highlights that item in the **Contents** pane of the Model Explorer.

- Junctions (model-to-code)

Model-to-code traceability works for junctions with at least one outgoing transition. Right-clicking such a junction in the Stateflow Editor highlights the line of code that corresponds to the first outgoing transition for that junction.

---

**Note:** MATLAB Function blocks that you insert directly in a Simulink model are also traceable. For more information, see “Use Traceability in MATLAB Function Blocks” in the Simulink documentation.

---

## Basic Workflow for Using Traceability

The basic workflow for using traceability is:

- 1 Open your model, if necessary.
- 2 Define your system target file to be an embedded real-time (ert) target.
- 3 Enable and configure the traceability options.
- 4 Generate the source code and header files for your model.
- 5 Do one or both of these steps:
  - Trace a line of generated code to the model.
  - Trace an object in the model to a line of code.

## Related Examples

- “Trace Code to Model Objects Using Hyperlinks” on page 33-6
- “Trace Model Objects to Generated Code” on page 33-8
- “Reload Existing Traceability Information” on page 33-29
- “Customize Traceability Reports” on page 33-30

## **More About**

- “Traceability Tags” on page 33-5

## Traceability Tags

A traceability tag appears in a comment above the corresponding line of generated code. The format of the tags is `<system>/block_name`, where

- *system* is one of the following:
  - The string `Root`
  - A unique system number assigned by the Simulink engine
- *block\_name* is the name of the source block

The code generator documents the tags for a model in the comments section of the generated header file `model.h`. For example, the following comment appears in the header file for model, `foo`, that has a subsystem `Outer` and a nested subsystem `Inner`:

```
/* Here is the system hierarchy for this model.
 *
 * <Root> : foo
 * <S1>   : foo/Outer
 * <S2>   : foo/Outer/Inner
 */
```

The following code shows a tag comment adjacent to a line of code. This code is generated from a Gain block at the root level of a source model:

```
/* Gain: '<Root>/UnDeadGain1' */
rtb_UnDeadGain1_h = dead_gain_U.In1 *
    dead_gain_P.UnDeadGain1_Gain;
```

The following code shows a tag comment adjacent to a line of code. This code is generated from a Gain block within a subsystem one level below the root level of the source model:

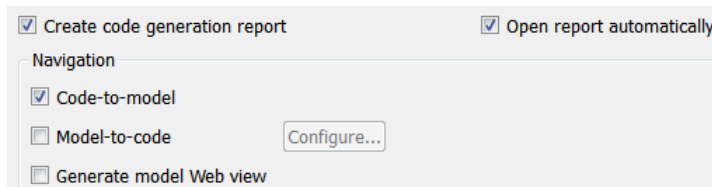
```
/* Gain: '<S1>/Gain' */
dead_gain_B.temp0 *= (dead_gain_P.s1_Gain_Gain);
```

## Trace Code to Model Objects Using Hyperlinks

When using the Simulink Coder product, you can trace code to model objects using the `hilite_system` command. The Embedded Coder product simplifies traceability with the use of hyperlinks in HTML code generation reports. The reports display hyperlinks in comment lines in generated code. You can highlight the corresponding block or subsystem in the model diagram by clicking the hyperlinks.

To use hyperlinks for tracing code to model objects:

- 1 Open the model and make sure it is configured for an ERT target.
- 2 In the Configuration Parameters dialog box, on the **Code Generation > Report** pane, select **Create code generation report**. The parameter is selected by default. When selected, this parameter enables and selects **Open report automatically** and **Code-to-model**.



- 3 Build or generate code for the model. An HTML code generation report is displayed.
- 4 In the HTML report window, click hyperlinks to highlight source blocks. For example, generate an HTML report for model `rtwdemo_hyperlinks`. In the generated code for the model step function in `rtwdemo_hyperlinks.c`, click the first `UnitDelay` block hyperlink.

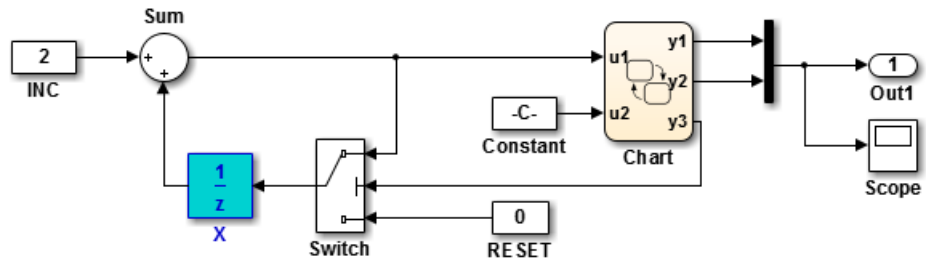
```

130 /* Model step function */
131 void rtwdemo_hyperlinks_step(void)
132 {
133     static real_T tmp[5] = { 10.0, -20.0, 30.0, -40.0, 50.0 };
134
135     /* Sum: '<Root>/Sum' incorporates:
136      * Constant: '<Root>/INC'
137      * Switch: '<Root>/Switch'
138      * UnitDelay: '<Root>/X'
139      * Update for UnitDelay: '<Root>/X'
140      */
141     rtDWork.X += 2.0;

```

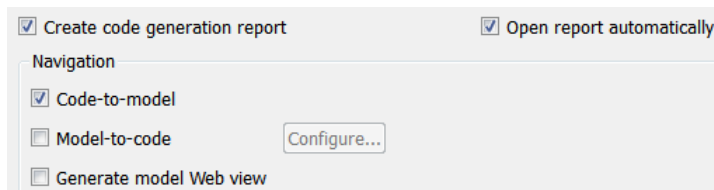
In the model window, the corresponding `UnitDelay` block is highlighted.



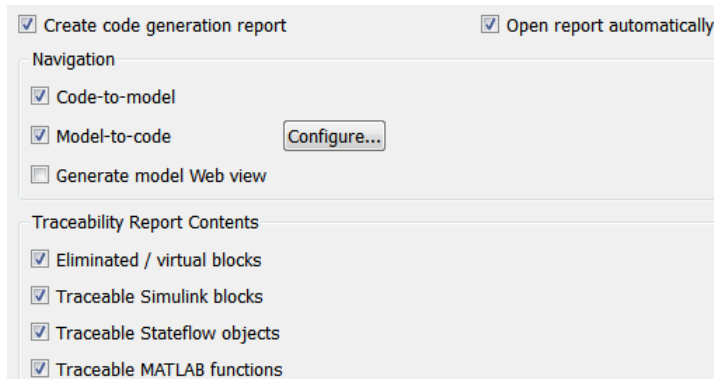


## Trace Model Objects to Generated Code

- 1 Open the model and make sure that it is configured for an ERT target.
- 2 In the Configuration Parameters dialog box, select **Code Generation > Report > Create code generation report**. This parameter is selected by default. When selected, the parameter enables and selects the **Open report automatically** and **Code-to-model** parameters.



- 3 Select **Model-to-code**.



This parameter:

- Enables the **Configure** button, which opens a dialog box for loading existing trace information.
  - Enables and selects parameters for customizing the content of a traceability report.
- 4 Build or generate code for the model. An HTML code generation report is displayed.
  - 5 In the model window, right-click a model object.

- 6 In the context menu, select **C/C++ Code > Navigate to C/C++ Code**. In the HTML code generation report, you see the first instance of highlighted code that is generated for the model object. In the left pane of the report, numbers that appear to the right of generated file names indicate the total number of highlighted lines in each file. The following figure shows the result of tracing the `Unit Delay` block in model `rtwdemo_hyperlinks`.

The screenshot shows a code editor window titled "Highlight code for block: '<Root>/X'". The code is C/C++ and includes several comments and function calls. Lines 238, 241, and 245 are highlighted in cyan. A navigation sidebar on the right shows a list of lines, with line 238 selected and a tooltip that says "navigate to line 238".

```

227 }
228 }
229
230 /* End of Chart: '<Root>/Chart' */
231
232 /* Output: '<Root>/Out1' */
233 rtY.Out1[0] = rtDWork.y1;
234 rtY.Out1[1] = rtDWork.y2;
235
236 /* Switch: '<Root>/Switch' */
237 if (rtDWork.y3 >= 0.5) {
238     /* Update for UnitDelay: '<Root>/X' incorporates:
239      * Constant: '<Root>/INC'
240      * Sum: '<Root>/Sum'
241      * UnitDelay: '<Root>/X'
242      */
243     rtDWork.X += 2.0;
244 } else {
245     /* Update for UnitDelay: '<Root>/X' incorporates:
246      * Constant: '<Root>/RESET'
247      */
248     rtDWork.X = 0.0;
249 }
250
251 /* End of Switch: '<Root>/Switch' */
252 }

```

At the top of the code window, use the navigation toolbar to move forward and backward through multiple instances of highlighted lines. Use the navigation sidebar to go directly to a line of code.

If you close and reopen a model, the **Navigate to Code** context menu option might not be available because Embedded Coder cannot find a build folder for your model in the current working folder. Do one of the following:

- Reset the current working folder to the parent folder of the existing build folder.
- Select **Model-to-code** and rebuild the model. Rebuilding the model regenerates the build folder into the current working folder.

- Click **Configure** and in the Model-to-code navigation dialog box, reload the existing trace information.

### **See Also**

“Model-to-code” | “Configure”

## Trace Stateflow Objects in Generated Code

### In this section...

- “Bidirectional Traceability for States and Transitions” on page 33-11
- “Bidirectional Traceability for State Transition Tables” on page 33-13
- “Bidirectional Traceability for Truth Table Blocks” on page 33-16
- “Bidirectional Traceability for Graphical Functions” on page 33-18
- “Code-to-Model Traceability for Events” on page 33-19
- “Model-to-Code Traceability for Junctions” on page 33-20
- “Format of Traceability Comments for Stateflow Objects” on page 33-21

### Bidirectional Traceability for States and Transitions

You can see how bidirectional traceability works for states and transitions by following these steps:

- 1 Type `old_sf_car` at the MATLAB prompt.
- 2 Open the Model Configuration Parameters dialog box.
- 3 In the **Code Generation** pane, go to the **Target selection** section and enter `ert.tlc` for the system target file. Click **Apply** in the lower right corner of the window.

---

**Note:** Traceability comments appear in generated code only for embedded real-time targets.

---

- 4 In the **Code Generation > Report** pane, select **Create code generation report**.

This step automatically selects **Open report automatically** and **Code-to-model**.

- 5 Select **Model-to-code** in the **Navigation** section. Then click **Apply**.

This step automatically selects all check boxes in the **Traceability Report Contents** section.

---

**Tip** For large models that contain over 1000 blocks, clear the **Model-to-code** check box to speed up code generation.

---

- 6 Go to the **Code Generation > Interface** pane. In the **Software environment** section, select **continuous time**. Then click **Apply**.

---

**Note:** Because this model contains a block with a continuous sample time, you must perform this step before generating code.

---

- 7 Press **Ctrl+B**.

This step generates source code and header files for the `old_sf_car` model that contains the `shift_logic` chart. After the code generation process is complete, the code generation report appears automatically.

- 8 Click the `old_sf_car.c` hyperlink in the report.
- 9 Scroll down through the code to see the traceability comments.

```

188  /* Function for Stateflow: '<Root>/shift_logic' */
189  static void old_sf_car_gear_state(void)
190  {
191      /* During 'gear_state': '<S5>:2' */ ← Traceability
192      if (old_sf_car_DWork.is_active_gear_state != 0) {           comment for
193          switch (old_sf_car_DWork.is_gear_state) {               a state
194              case old_sf_car_IN_first:
195                  /* During 'first': '<S5>:6' */
196                  if (sfEvent_old_sf_car == old_sf_car_event_UP) { ← Traceability
197                      /* Transition: '<S5>:12' */ ← comment for
                                                                a transition

```

---

**Note:** The line numbers shown above can differ from the numbers that appear in your code generation report.

---

- 10 Click the `<S5>:2` hyperlink in this traceability comment:

```
/* During 'gear_state': '<S5>:2' */
```

The corresponding state appears highlighted in the chart.

- 11 Click the `<S5>:12` hyperlink in this traceability comment:

```
/* Transition: '<S5>:12' */
```

The corresponding transition appears highlighted in the chart.

---

**Tip** To remove highlighting from an object in the chart, select **Display > Remove Highlighting**.

---

- 12** You can also trace an object in the model to a line of generated code. In the chart, right-click the object `gear_state` and select **C/C++ Code > Navigate to C/C++ Code**.

The code for that state appears highlighted in `old_sf_car.c`.

```

188  /* Function for Stateflow: '<Root>/shift_logic' */
189  static void old_sf_car_gear_state(void)
190  {
191  /* During 'gear_state': '<S5>:2' */ ← Highlighted
192  if (old_sf_car_DWork.is_active_gear_state != 0) {
193      switch (old_sf_car_DWork.is_gear_state) {
194          case old_sf_car_IN_first:
195              /* During 'first': '<S5>:6' */

```

Highlighted  
line of code

- 13** In the chart, right-click the transition with the condition `[speed > up_th]` and select **C/C++ Code > Navigate to C/C++ Code**.

The code for that transition appears highlighted in `old_sf_car.c`.

```

446          case old_sf_car_IN_steady_state:
447              /* During 'steady_state': '<S5>:9' */
448              if (old_sf_car_B.mph > old_sf_car_B.interp_up) {
449  /* Transition: '<S5>:18' */ ← Highlighted
450              /* Exit 'steady_state': '<S5>:9' */

```

Highlighted  
line of code

---

**Note:** For a list of all Stateflow objects in your model that are traceable, click the [Traceability Report](#) hyperlink in the code generation report.

---

## Bidirectional Traceability for State Transition Tables

This example shows how to navigate bidirectionally between objects in a state transition table and the generated C/C++ and HDL code for traceability.

- At the MATLAB prompt, type `sf_cdplayer_STT`. This model is already configured for traceability. For more information on these configurations, see “Traceability of Stateflow Objects in Generated Code”.

**2** Press **Ctrl+B**.

This step generates source code and header files for the `sf_cdplayer_STT` model. After the code generation process is complete, the code generation report appears automatically.

**3** Click the `sf_cdplayer_STT.c` hyperlink in the report.**4** Scroll down through the code to see the traceability comments. The line numbers shown can differ from the numbers that appear in your code generation report.

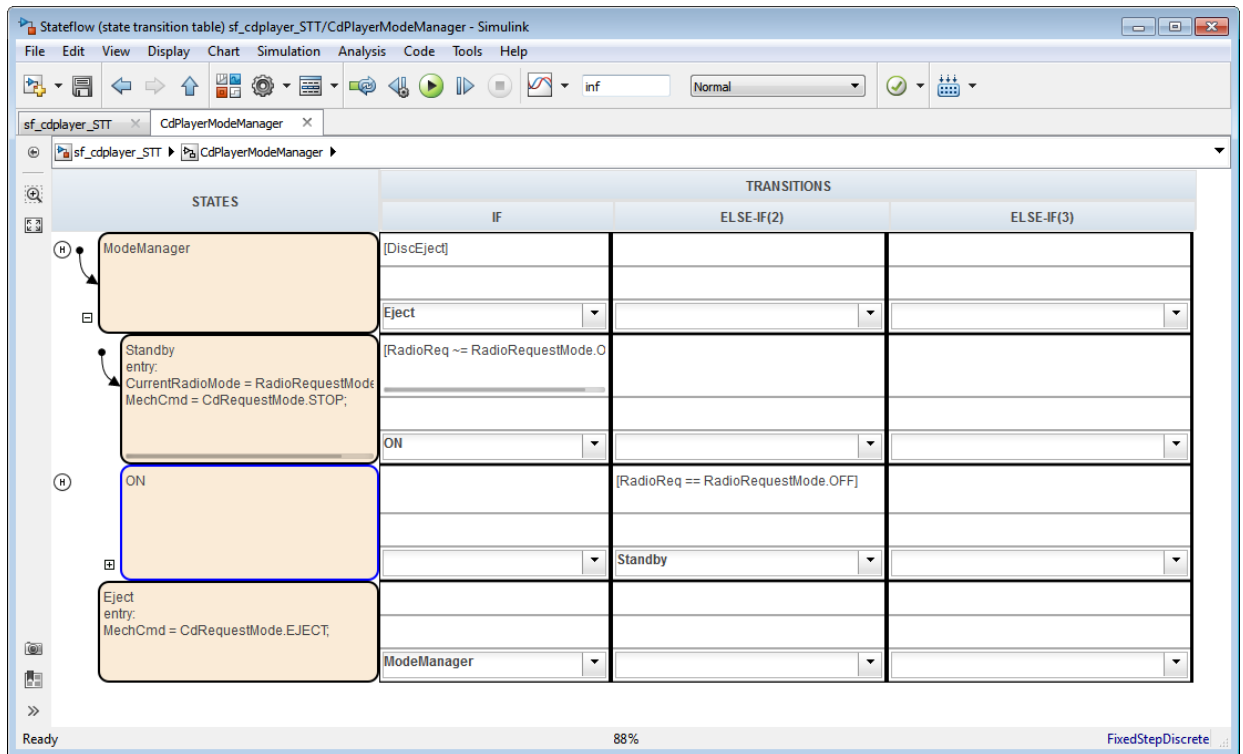
```
60  /* Function for State Transition Table: '<Root>/CdPlayerModeManager' */
61  static void sf_cdplayer_S_enter_internal_ON(void)
62  {
63      /* Entry Internal 'ON': '<S2>:58' */
64      switch (sf_cdplayer_STT_DWork.bitsForTID1.was_ON) {
65          case sf_cdplayer_STT_IN_AMMode:
66              sf_cdplayer_STT_DWork.bitsForTID1.is_ON = sf_cdplayer_STT_IN_AMMode;
67              sf_cdplayer_STT_DWork.bitsForTID1.was_ON = sf_cdplayer_STT_IN_AMMode;
68
69              /* Entry 'AMMode': '<S2>:61' */
70              sf_cdplayer_STT_B.CurrentRadioMode = AM;
71              sf_cdplayer_STT_B.MechCmd = STOP;
72              break;
73
```

**5** Click the `<S2>:58` hyperlink in this traceability comment:

```
/* Entry Internal 'ON': '<S2>:58' */
```

The corresponding state 'ON' appears highlighted in the state transition table.





- 6 Right-click the highlighted state and select **View state object**. The state 'ON' also appears highlighted in the underlying state transition diagram.
- 7 You can also trace a state or transition from the state transition table to the generated code. Right click on the state **Standby** and select **C/C++ Code > Navigate to C/C++ Code**.

The entry code for the state **Standby** is highlighted in the generated code.

```

234     sf_cdplayer_STT_DWork.bitsForTID1.was_ModeManager =
235         sf_cdplayer_STT_IN_Standby;
236
237     /* Entry 'Standby': '<S2>:57' */
238     sf_cdplayer_STT_B.CurrentRadioMode = OFF;
239     sf_cdplayer_STT_B.MechCmd = STOP;
240 } else if (sf_cdplayer_STT_DWork.RadioReq_prev !=
241           sf_cdplayer_STT_DWork.RadioReq_start) {
242     /* Transition: '<S2>:75' */
243     if (sf_cdplayer_STT_P.RR_Value == CD) {

```

## Bidirectional Traceability for Truth Table Blocks

You can see how bidirectional traceability works for a Truth Table block by following these steps:

- 1 Type `sf_climate_control` at the MATLAB prompt.
- 2 Complete steps 2 through 5 in “Bidirectional Traceability for States and Transitions” on page 33-11.
- 3 Press **Ctrl+B** to build the model.

The code generation report appears automatically.

- 4 Click the `sf_climate_control.c` hyperlink in the report.
- 5 Scroll down through the code to see the traceability comments.

```

77     /* Turn On Humidifier */
78     /* Action '3': '<S1>:1:47' */ ← Traceability
79     rtb_humidifier = 1;           comment for a
80 } else if (eml_aVarTruthTableCondition) { ← Traceability
81     /* Decision 'D2': '<S1>:1:18' */ ← comment for a
                                         truth table decision

```

---

**Note:** The line numbers shown above can differ from the numbers that appear in your code generation report.

---

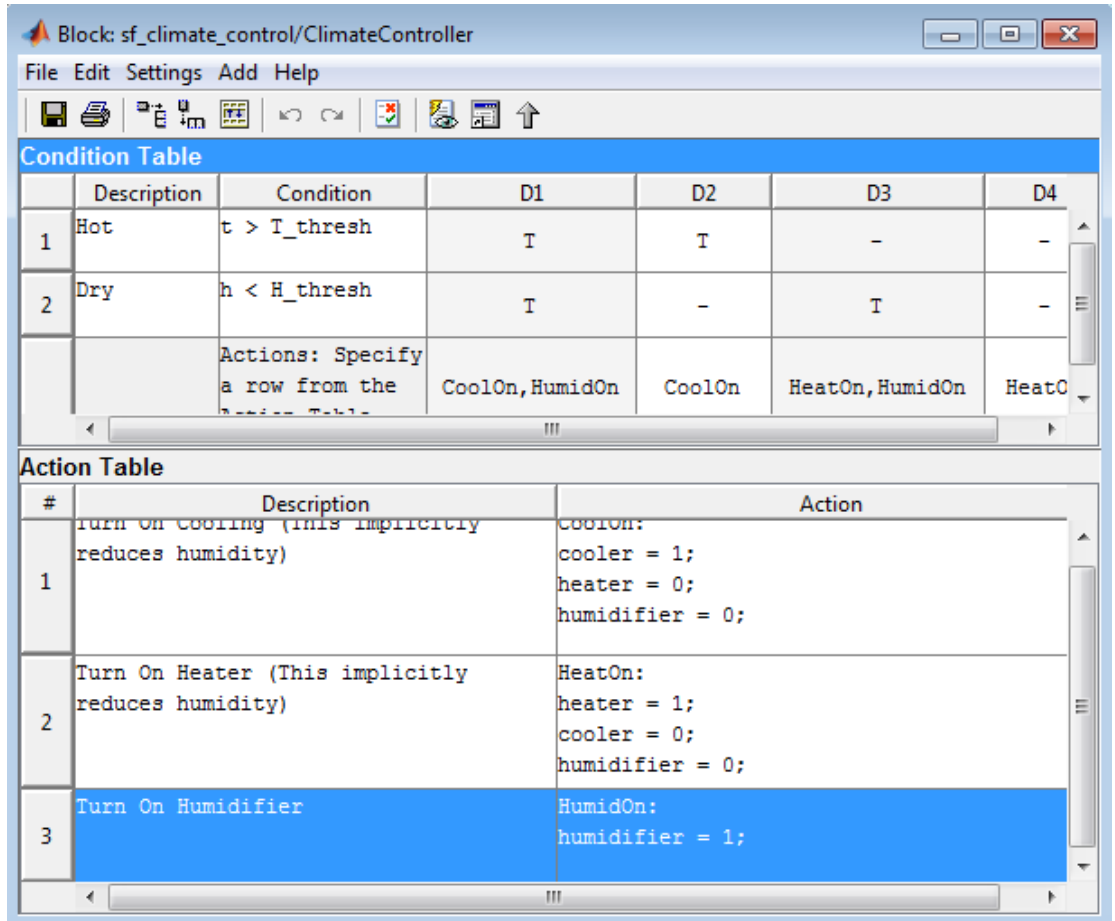
- 6 Click the `<S1>:1:47` hyperlink in this traceability comment:

```

/* Action '3': '<S1>:1:47' */

```

In the Truth Table Editor, row 3 of the Action Table appears highlighted.



- 7 You can also trace a condition, decision, or action in the table to a line of generated code. For example, right-click a cell in the column D2 and select **C/C++ Code > Navigate to C/C++ Code**.

The code for that decision appears highlighted in `sf_climate_control.c`.

```

77      /* Turn On Humidifier */
78      /* Action '3': '<S1>:1:47' */
79      rtb_humidifier = 1;
80  } else if (eml_aVarTruthTableCondition) {
81  /* Decision 'D2': '<S1>:1:18' */

```

Highlighted  
line of code

---

**Tip** To select **C/C++ Code > Navigate to C/C++ Code** for a condition, decision, or action, right-click a cell in the row or column that corresponds to that truth table element.

---

## Bidirectional Traceability for Graphical Functions

You can see how bidirectional traceability works for graphical functions by following these steps:

- 1 Type `sf_clutch` at the MATLAB prompt.
- 2 Complete steps 2 through 6 in “Bidirectional Traceability for States and Transitions” on page 33-11.
- 3 Go to the **Solver** pane in the Model Configuration Parameters dialog box. In the **Solver options** section, select **Fixed-step** in the **Type** field. Then click **Apply**.

---

**Note:** Because this model does not work with variable-step solvers, you must perform this step before generating code.

---

- 4 Press **Ctrl+B** to build the model.

The code generation report appears automatically.

- 5 Click the `sf_clutch.c` hyperlink in the report.
- 6 Scroll down through the code to see the traceability comments.

```

235      case sf_clutch_IN_Slipping:
236          /* Graphical Function 'detectLockup': '<S1>:10' */
237          /* Transition: '<S1>:28' */
238          /* Graphical Function 'getSlipTorque': '<S1>:3' */

```

Traceability  
comment for a  
graphical function

---

**Note:** The line numbers shown above can differ from the numbers that appear in your code generation report.

---

- 7 Click the `<S1>:3` hyperlink in this traceability comment:

```
/* Graphical Function 'getSlipTorque': '<S1>:3' */
```

In the chart, the graphical function `getSlipTorque` appears highlighted.

- 8 You can also trace a graphical function in the chart to a line of generated code. For example, right-click the graphical function `detectSlip` and select **C/C++ Code > Navigate to C/C++ Code**.

The code for that graphical function appears highlighted in `sf_clutch.c`.

```
184         case sf_clutch_IN_Locked:
185             /* Graphical Function 'detectSlip': '<S1>:6' */ ← Highlighted
186             /* Transition: '<S1>:15' */
```

## Code-to-Model Traceability for Events

You can see how code-to-model traceability works for events by following these steps:

- 1 Type `sf_security` at the MATLAB prompt.
- 2 Complete steps 2 through 6 in “Bidirectional Traceability for States and Transitions” on page 33-11.
- 3 Press **Ctrl+B** to build the model.

The code generation report appears automatically.

- 4 Click the `sf_security.c` hyperlink in the report.
- 5 Scroll down through the code to see the following traceability comment.

```
240             /* Event: '<S8>:56' */ ← Traceability
241             sf_security_DWork.SoundEventCounter =      comment for
242             sf_security_DWork.SoundEventCounter + 1U;  an event
```

---

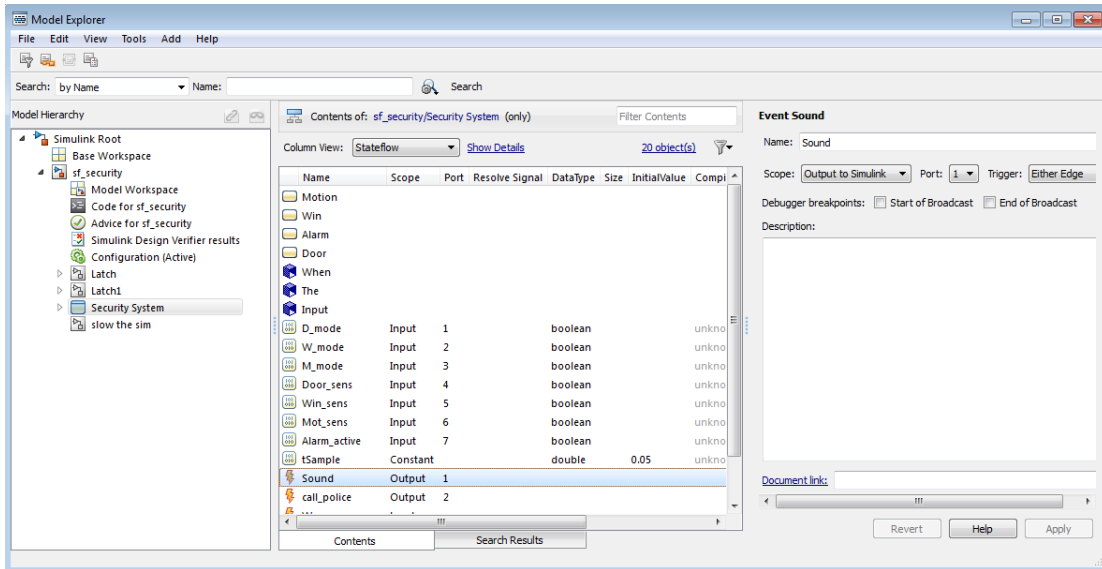
**Note:** The line numbers shown above can differ from the numbers that appear in your code generation report.

---

- 6 Click the `<S8>:56` hyperlink in this traceability comment:

```
/* Event: '<S8>:56' */
```

In the **Contents** pane of the Model Explorer, the event **Sound** appears highlighted.



## Model-to-Code Traceability for Junctions

You can see how model-to-code traceability works for junctions by following these steps:

- 1 Type `sf_abs` at the MATLAB prompt.
- 2 Complete steps 2 through 6 in “Bidirectional Traceability for States and Transitions” on page 33-11.
- 3 Go to the **Solver** pane in the Model Configuration Parameters dialog box. In the **Solver options** section, select **Fixed-step** in the **Type** field. Then click **Apply**.

---

**Note:** Because this model does not work with variable-step solvers, you must perform this step before generating code.

---

- 4 Press **Ctrl+B** to build the model.

The code generation report appears automatically.

- 5 Open the `AbsoluteValue` chart.
- 6 Right-click the left junction and select **C/C++ Code > Navigate to C/C++ Code**.

The code for the first outgoing transition of that junction appears highlighted in `sf_abs.c`.

```

53      /* Gateway: AbsoluteValue */
54      /* During: AbsoluteValue */
55      if (sf_abs_DWork.is_active_c1_sf_abs == 0) {
56          /* Entry: AbsoluteValue */
57          sf_abs_DWork.is_active_c1_sf_abs = 1U;
58
59          /* Transition: '<S1>:5' */
60          if (sf_abs_B.SineWave1 >= 0.0) {
61              /* Transition: '<S1>:6' */
62              /* Entry 'P': '<S1>:1' */

```

Highlighted  
line of code

## Format of Traceability Comments for Stateflow Objects

The format of a traceability comment depends on the Stateflow object type.

### State

#### Syntax

```
/* <ActionType> '<StateName>': '<ObjectHyperlink>' */
```

#### Example

```
/* During 'gear_state': '<S5>:2' */
```

This comment refers to the during action of the state `gear_state`, which has the hyperlink `<S5>:2`.

### Transition

#### Syntax

```
/* Transition: '<ObjectHyperlink>' */
```

#### Example

```
/* Transition: '<S5>:12' */
```

This comment refers to a transition, which has the hyperlink <S5>:12.

### **MATLAB Function**

#### **Syntax**

```
/* MATLAB Function '<Name>': '<ObjectHyperlink>' */
```

Within the inlined code for a MATLAB function, comments that link to individual lines of the function have the following syntax:

```
/* '<ObjectHyperlink>' */
```

#### **Examples**

```
/* MATLAB Function 'test_function': '<S50>:99' */
```

```
/* '<S50>:99:20' */
```

The first comment refers to the MATLAB function named `test_function`, which has the hyperlink <S50>:99.

The second comment refers to line 20 of the MATLAB function in your chart.

### **Truth Table Block**

#### **Syntax**

```
/* Truth Table Function '<Name>': '<ObjectHyperlink>' */
```

Within the inlined code for a Truth Table block, comments for conditions, decisions, and actions have the following syntax:

```
/* Condition '#<Num>': '<ObjectHyperlink>' */
```

```
/* Decision 'D<Num>': '<ObjectHyperlink>' */
```

```
/* Action '<Num>': '<ObjectHyperlink>' */
```

<Num> is the row or column number that appears in the Truth Table Editor.

#### **Examples**

```
/* Truth Table Function 'truth_table_default': '<S10>:100' */
```

```
/* Condition '#1': '<S10>:100:8' */
```

```
/* Decision 'D1': '<S10>:100:16' */
```

```
/* Action '1': '<S10>:100:31' */
```



The first comment refers to a Truth Table block named `truth_table_default`, which has the hyperlink `<S10>:100`.

The other three comments refer to elements of that Truth Table block. Each condition, decision, and action in the Truth Table block has a unique hyperlink.

### Truth Table Function

See “Truth Table Block” on page 33-22 for syntax and examples.

### Graphical Function

#### Syntax

```
/* Graphical Function '<Name>': '<ObjectHyperlink>' */
```

#### Example

```
/* Graphical Function 'hello': '<S1>:123' */
```

This comment refers to a graphical function named `hello`, which has the hyperlink `<S1>:123`.

### Simulink Function

#### Syntax

```
/* Simulink Function '<Name>': '<ObjectHyperlink>' */
```

#### Example

```
/* Simulink Function 'simfcn': '<S4>:10' */
```

This comment refers to a Simulink function named `simfcn`, which has the hyperlink `<S4>:10`.

### Event

#### Syntax

```
/* Event: '<ObjectHyperlink>' */
```

#### Example

```
/* Event: '<S3>:33' */
```

This comment refers to an event, which has the hyperlink `<S3>:33`.

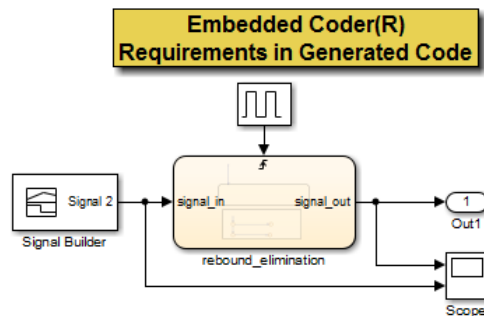
## Link Generated Code to Requirements

This example shows how to link code generated by Embedded Coder® to model object requirements. Using configuration parameters, you can specify whether to include requirement descriptions as comments in the generated code.

### Open Model

Open the `rtwdemo_requirements` model. The model contains Simulink® and Stateflow® objects, with associated requirements.

```
model='rtwdemo_requirements';
open_system(model);
```



**!** This example requires a license for Simulink Verification and Validation

Generate Code Using Embedded Coder (double-click)

### Requirements in Generated Code

Requirements attached to various Simulink and Stateflow objects can appear in code generated by Embedded Coder(R) within their respective comments. The two steps are:

- 1) Add requirements to model.
- 2) Check option in configuration parameters.

### Step 1: Add Requirements to Model

Requirements can be added to numerous types of objects in Simulink and Stateflow using the Requirements entry from the context menu. The following are requirements entered in this model (double-click to open):

- ▶ Simulink Block
- ▶ Simulink Signal Builder
- ▶ Stateflow State
- ▶ Stateflow Transition
- ▶ Stateflow Graphical Function

### Step 2: Check Requirements Options

Open the model's configuration parameters and navigate to the Requirements section of the Code Generation settings. Double-click below to see these settings.

- ▶ [Open Requirements Settings](#)

### Additional Documentation

Additional documentation is available for integrating requirements into generated code by double-clicking the link below.

- ▶ [Requirements Documentation](#)

## View Requirements

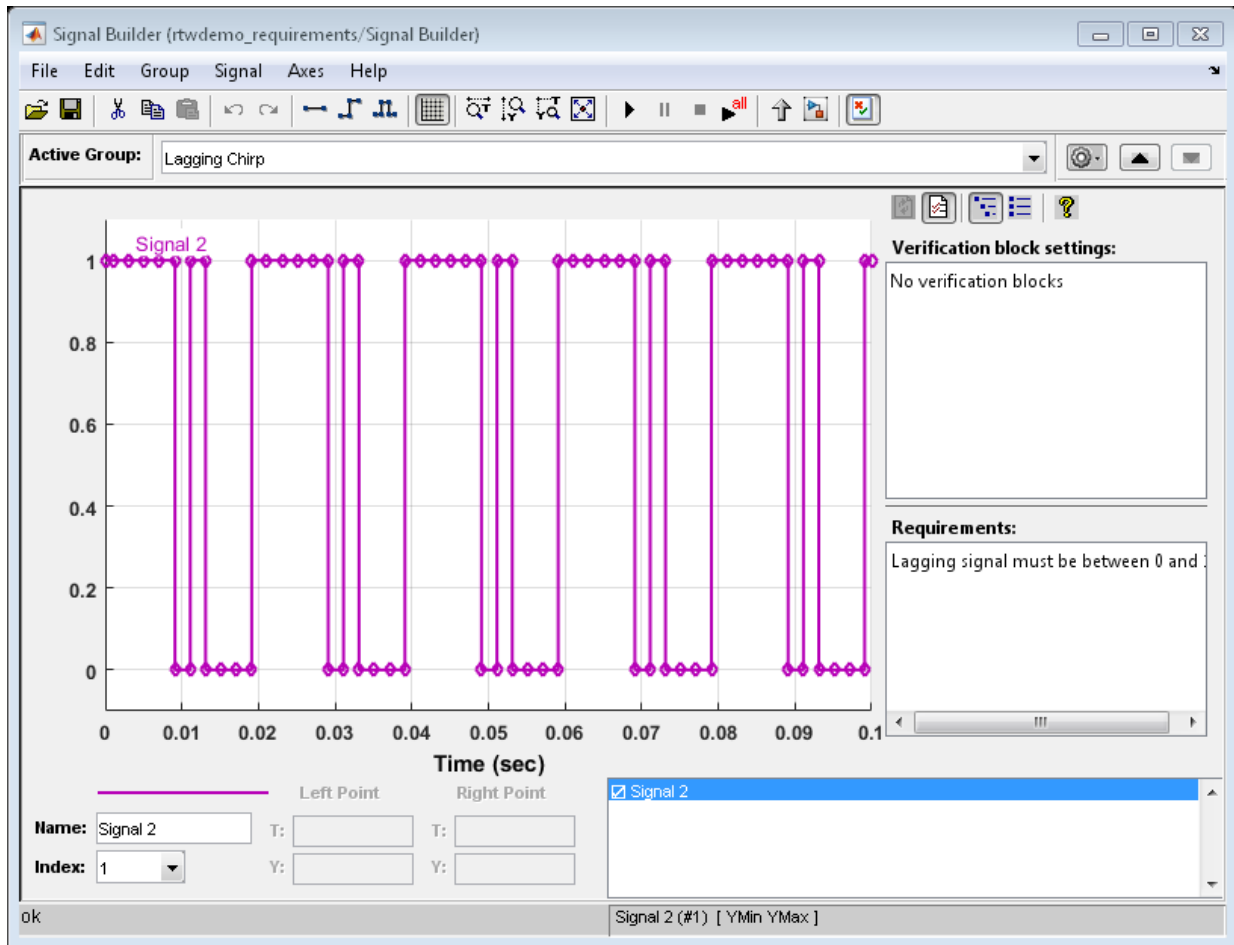
You can view requirements to model objects by using the object context menu. Right-click an object and select **Requirements Traceability**. For this example, you can use the following commands to view the requirements.

1. Open the Link Editor to view the requirements for the `DiscretePulseGenerator` block.

```
clockblock='rtwdemo_requirements/clock';  
clockblockh=get_param(clockblock,'handle');  
rmi('edit',clockblockh);
```

2. Open the **Signal Builder** block to view the requirements.

```
sigbblock='rtwdemo_requirements/Signal Builder';  
open_system(sigbblock)
```



3. Open the Link Editor to view the requirements for the Stateflow® state.

```
state=find(sfroot, '-isa', 'Stateflow.State', '-and', 'Tag', 'req_state');
rmi('edit',state.id);
```

4. Open the Link Editor to view the requirements for the Stateflow transition.

```
trans=find(sfroot, '-isa', 'Stateflow.Transition', '-and', 'Tag', 'req_trans');
rmi('edit',trans.id);
```

5. Open the Link Editor to view the requirements for the Stateflow function.

```
func=find(sfroot, '-isa', 'Stateflow.Function', '-and', 'Tag', 'req_function');
rmi('edit', func.id);
```

Close the open windows.

```
close_system(sigblock);
```

### Set Configuration Parameters

Open the Configuration Parameters dialog box **Code Generation > Comments** pane. View the configuration parameter settings.

```
model = bdroot;
slCfgPrmDlg(model, 'Open');
slCfgPrmDlg(bdroot, 'TurnToPage', 'Comments');
```

### Generate Code

Generate code for the model.

```
rtwbuild('rtwdemo_requirements')
```

```
### Starting build procedure for model: rtwdemo_requirements
### Successful completion of build procedure for model: rtwdemo_requirements
```

View the comments in the generated code containing the requirements.

```
rtwdemodbtype('rtwdemo_requirements_ert_rtw/rtwdemo_requirements.c', /* Function for C
```

```
/* Function for Chart: '<Root>/rebound_elimination' */
static real_T rebound_fcn(real_T prev_in, real_T prev_out, real_T curr_in)
{
    real_T result;

    /* Graphical Function 'rebound_fcn': '<S2>:2':
     * 1. Result Computation
     */
    /* Transition: '<S2>:4' */
    if (prev_in == curr_in) {
        /* Transition: '<S2>:5' */
        result = curr_in;
    } else {
        /* Transition: '<S2>:6' */
        /* Transition: '<S2>:7' */
        result = prev_out;
    }
}
```

```
}
```

### See Also

- For requirement traceability, see Overview of the Requirements Management Interface

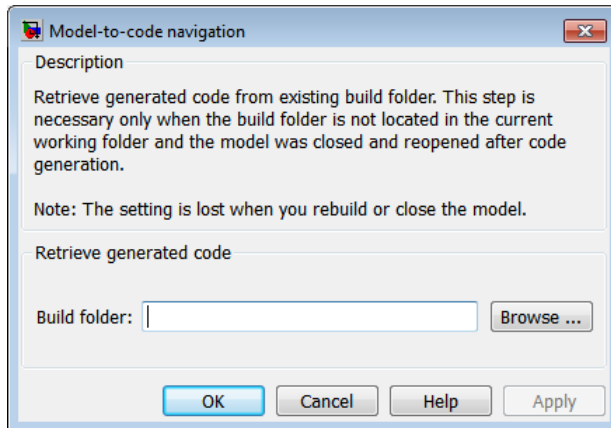
### Close Model

```
rtwdemoclean;  
close_system('rtwdemo_requirements',0);
```

## Reload Existing Traceability Information

To reload existing traceability information for a model:

- 1 In the Configuration Parameters dialog box, click **Code Generation > Report > Configure**. The Model-to-code navigation dialog box opens.



- 2 In the **Build folder** field, type or browse to the build folder that contains the existing traceability information.

If you close and reopen a model, the **Navigate to Code** context menu option might not be available. This occurs because Embedded Coder cannot find a build folder for your model in the current working folder. To fix this without having to reset the current working folder or rebuild the model, do the following:

- 1 Click **Configure** to open the Model-to-code navigation dialog box.
- 2 In the Model-to-code navigation dialog box, click **Browse**.
- 3 Browse to the build folder for your model, and select the folder. The build folder path is displayed in the **Build folder** field, as shown in the preceding figure.
- 4 Click **Apply** or **OK**. This loads traceability information from the earlier build into your Simulink session, provided that you selected **Model-to-code** for the build.
- 5 Right-click a model object and select **C/C++ Code > Navigate to C/C++ Code** to open the context menu and trace a model object to corresponding code.

## Customize Traceability Reports

In the Configuration Parameters dialog box, the **Code Generation > Report > Traceability Report Contents** section lists parameters you can select and clear to customize the content of your traceability reports. By default, all parameters are selected.

Select or clear any combination of the following:

- **Eliminated / virtual blocks** (account for blocks that are untraceable)
- **Traceable Simulink blocks**
- **Traceable Stateflow objects**
- **Traceable MATLAB functions**

If you select all parameters, you get a complete mapping between model elements and the generated code.

The following figure shows the top section of the traceability report generated by selecting all traceability content parameters for model `rtwdemo_hyperlinks`.



# Traceability Report for rtwdemo\_hyperlinks

Generate  
Traceability Matrix

## Table of Contents

1. [Eliminated / Virtual Blocks](#)
2. [Traceable Simulink Blocks / Stateflow Objects / MATLAB Functions](#)
  - o [rtwdemo\\_hyperlinks](#)
  - o [rtwdemo\\_hyperlinks/Chart](#)
  - o [rtwdemo\\_hyperlinks/Chart:43](#)

## Eliminated / Virtual Blocks

Block Name	Comment
<a href="#">&lt;Root&gt;/Build ERT</a>	Empty SubSystem
<a href="#">&lt;Root&gt;/Mux</a>	Mux
<a href="#">&lt;Root&gt;/Scope</a>	Unused code path elimination
<a href="#">&lt;Root&gt;/View Code Generation Report</a>	Empty SubSystem

## Traceable Simulink Blocks / Stateflow Objects / MATLAB Functions

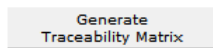
Root system: [rtwdemo\\_hyperlinks](#)

Object Name	Code Location
<a href="#">&lt;Root&gt;/Chart</a>	<a href="#">rtwdemo_hyperlinks.c:20, 43, 85, 103, 112, 143, 257</a> <a href="#">rtwdemo_hyperlinks.h:39, 40, 41, 43, 45, 46, 47, 48, 49, 52, 53</a>
<a href="#">&lt;Root&gt;/Constant</a>	<a href="#">rtwdemo_hyperlinks.c:144</a>

## Generate a Traceability Matrix

If you are licensed for either DO Qualification Kit software or IEC Certification Kit software and are using a Windows host, you can generate a traceability matrix into Microsoft Excel<sup>®</sup> format directly from the traceability report described in “Customize Traceability Reports” on page 33-30.

To do this, go to the **Traceability Report** section of the HTML code generation report and click the **Generate Traceability Matrix** button.



When you click the button, a Generate Traceability Matrix dialog box appears. Use this dialog to select an existing matrix file to update or specify a new matrix file to create. Optionally, you can use this dialog to select and order the columns that appear in the generated matrix. For more information, see “Generating a Traceability Matrix” in either the DO Qualification Kit documentation or the IEC Certification Kit documentation.

## Traceability Limitations

The following limitations apply to reports generated by Embedded Coder software.

- Under the following conditions, model-to-code traceability is disabled for a block if the block name contains:
  - A single quote (').
  - An asterisk (\*), that causes a name-mangling ambiguity relative to other names in the model. This name-mangling ambiguity occurs if in a block name or at the end of a block name, an asterisk precedes or follows a slash (/).
  - The character ÿ (char(255)).
- If a block name contains a newline character (\n), in the generated code comments, the block path name hyperlink replaces the newline character with a space for readability.
- You cannot trace blocks representing the following types of subsystems to generated code:
  - Virtual subsystems
  - Masked subsystems
  - Nonvirtual subsystems for which code has been optimized away

If you cannot trace a subsystem at subsystem level, you might be able to trace individual blocks within the subsystem.

- If you open a model on a platform that is different from the platform used to generate code, you cannot use model-to-code and code-to-model traceability features.



# Component Verification

---

- “Component Verification in the Target Environment” on page 34-2
- “Goals of Component Verification” on page 34-3
- “Maximizing Code Portability and Configurability” on page 34-4
- “Simplifying Code Integration and Maximizing Code Efficiency” on page 34-5
- “Running Component Tests” on page 34-6

## Component Verification in the Target Environment

After you generate production code for a component design, you need to integrate, compile, link, and deploy the code as a complete application on the embedded system. One approach is to manually integrate the code into an existing software framework that consists of an operating system, device drivers, and support utilities. The algorithm can include externally written legacy or custom code.

An easier approach to verifying a component in a target environment is to use processor-in-the-loop (PIL) simulation. For information about PIL simulations, see “About SIL and PIL Simulations” on page 36-3.

## Goals of Component Verification

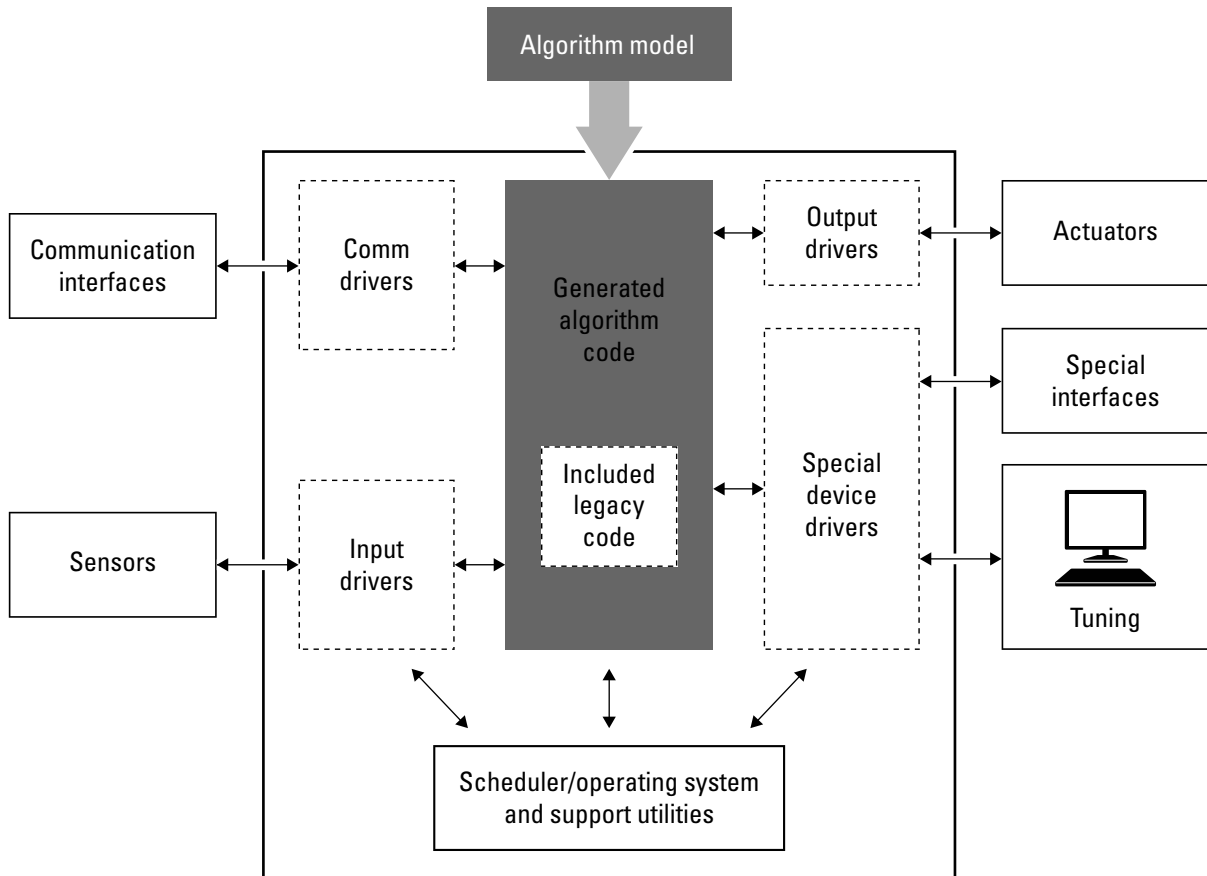
Assuming that you have generated production source code and integrated required externally written code, such as drivers and a scheduler, you can verify that the integrated software operates as expected by testing it in the target environment. During testing, you can achieve either of the following goals, depending on whether you export code that is strictly ANSI C/C++ or mixes ANSI C/C++ with code optimized for a target environment.

Goal	Type of Code Export
Maximize code portability and configurability	ANSI C/C++
Simplify integration and maximize use of processor resources and code efficiency	Mixed code

Regardless of your goal, you must integrate required external drivers and scheduling software. To achieve real-time execution, you must integrate the real-time scheduling software.

## Maximizing Code Portability and Configurability

To maximize code portability and configurability, limit the application code to ANSI/ISO C or C++ code only, as the following figure shows.



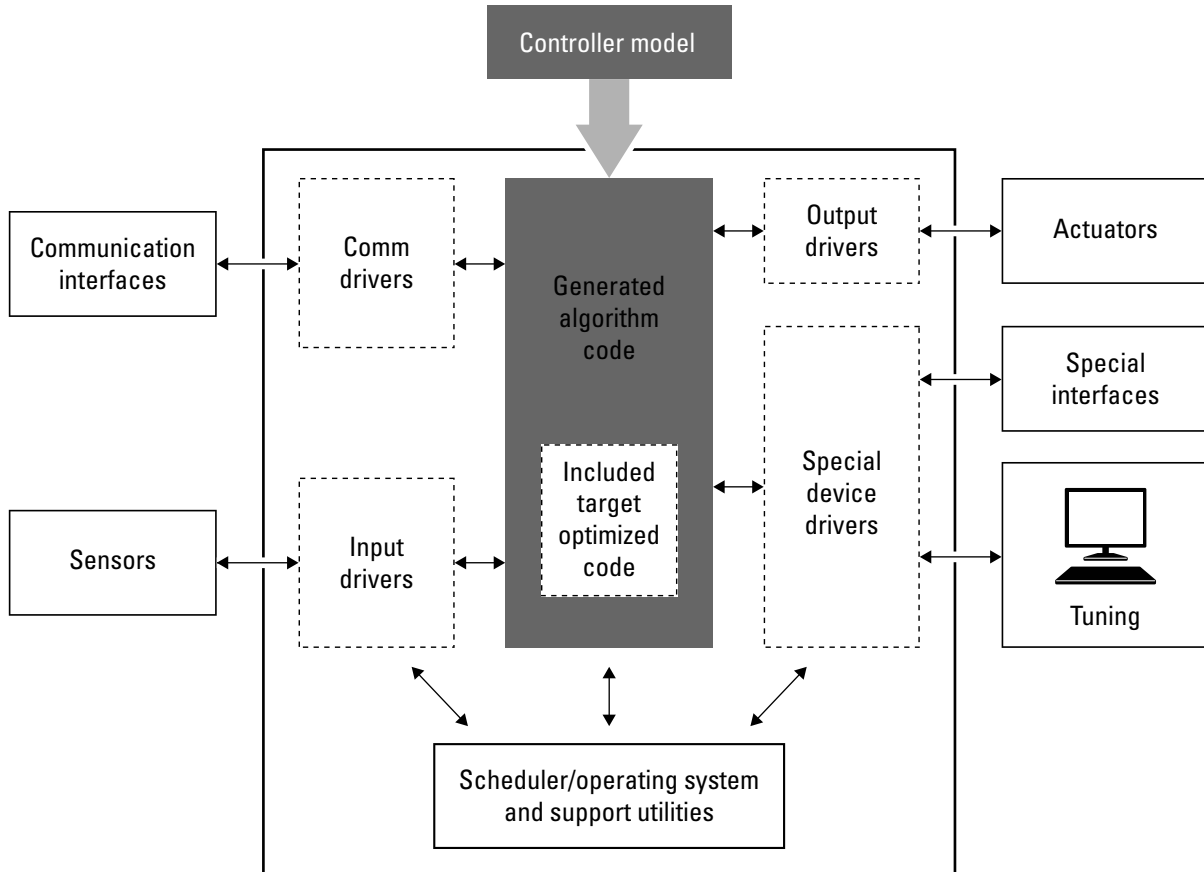


## Simplifying Code Integration and Maximizing Code Efficiency

To simplify code integration and maximize code efficiency for a target environment, use Embedded Coder features for:

- Controlling code interfaces
- Exporting subsystems
- Including target-specific code, including compiler optimizations

The following figure shows a mix of ANSI C/C++ code with code that is optimized for a target environment.



## Running Component Tests

The workflow for running software component tests in the target environment is:

- 1 Integrate external code, for example, for device drivers and a scheduler, with the generated C or C++ code for your component model. For more information, see “S-Functions and Code Generation” in the Simulink Coder documentation. For more specific references that depend on your verification goals, see the following table.

For	See
ANSI C/C++ code integration	“Integrate C Functions Using Legacy Code Tool” in the Simulink documentation. Also, open <code>rtwdemos</code> and navigate to the <b>Custom Code</b> folder.
Mixed code integration	<ul style="list-style-type: none"> <li>• “Export Function-Call Subsystems” on page 23-2 and example <code>rtwdemo_exporting_functions</code></li> <li>• “Control Generation of Function Prototypes” on page 12-2, “Control Generation of C++ Class Interfaces” on page 12-23, and example <code>rtwdemo_fcnprotoctrl</code></li> <li>• “What Is Code Replacement?” on page 20-2, “What Is Code Replacement Customization?” on page 24-3, and example <code>rtwdemo_crl_script</code></li> </ul>

- 2 Simulate the integrated component model.
- 3 Generate code for the integrated component model.
- 4 Connect to data interfaces for the generated C code data structures. See “Exchange Data Between Generated and External Code Using C API” and “Export ASAP2 File for Data Measurement and Calibration” in the Simulink Coder documentation. Also see examples `rtwdemo_capi` and `rtwdemo_asap2`.
- 5 Customize and control the build process, if required. See “Customize Post-Code-Generation Build Processing” in the Simulink Coder documentation, and example `rtwdemo_buildinfo`.
- 6 Create a zip file that contains generated code files, static files, and dependent data to build the generated code in an environment other than your host computer. See

“Relocate Code to Another Development Environment”, in the Simulink Coder documentation, and example `rtwdemo_buildinfo`.



# Component Verification With a Real-Time Target Environment

---

- “About Real-Time Software Component Verification” on page 35-2
- “Real-Time Software Component Testing” on page 35-4

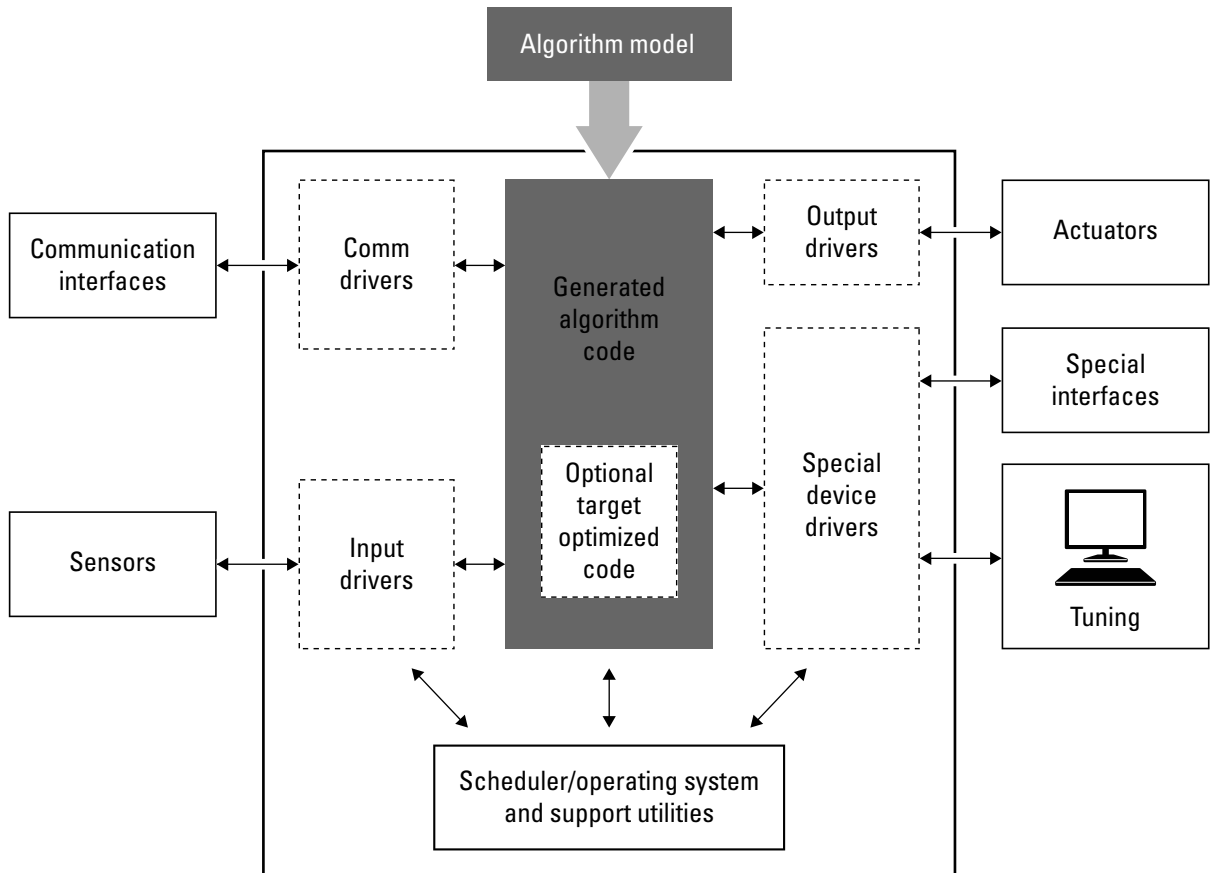
## About Real-Time Software Component Verification

One approach to verifying a software component is to build the component into a complete software system that can execute in real time in the target environment. A complete software system includes:

- Algorithm for the software component
- Scheduling algorithms
- Calls to drivers for board-specific devices

This single build approach is more time consuming to set up, but makes it easier to get the complete application running in the target environment.

The following figure shows code generated for an algorithm being built into a complete system executable for the target environment.



## Real-Time Software Component Testing

The workflow for testing component software as part of a complete real-time target environment is:

- 1 Develop a component model and generate source code for production.

For information on building in scheduling and real-time system support, see:

- “Time-Based Scheduling and Code Generation” and “Modeling for Multitasking Execution” in the Simulink Coder documentation. For an example, open `rtwdemos` and navigate to the **Multirate Support** folder.
  - “Asynchronous Events” in the Simulink Coder documentation and example `rtwdemo_async`
  - “Deploy Generated Standalone Executables To Target Hardware” on page 22-2
  - “Workflows for AUTOSAR” and examples “Generate Code That Is Compliant with the AUTOSAR Standard” and “Generate AUTOSAR-Compliant Code for Multiple Runnable Entities”.
- 2 Optimize generated code for a specific run-time environment, using specialized function libraries. For more information, see “What Is Code Replacement?” on page 20-2, “What Is Code Replacement Customization?” on page 24-3, and “Optimize Generated Code By Developing and Using Code Replacement Libraries - Simulink®”.
  - 3 Customize post code generation build processing to accommodate third-party tools and processes, as required. See “Customize Post-Code-Generation Build Processing” in the Simulink Coder documentation and example `rtwdemo_buildinfo`.
  - 4 Integrate external code, for example, for device drivers and a scheduler, with the generated C or C++ code for your component model. For more information, see “S-Functions and Code Generation” in the Simulink Coder documentation. For more specific references depending on your verification goals, see the following table.

For...	See...
ANSI C/C++ code integration	“Integrate C Functions Using Legacy Code Tool” in the Simulink documentation. Also, open <code>rtwdemos</code> and navigate to the <b>Custom Code</b> folder.
Mixed code integration	<ul style="list-style-type: none"> <li>• “Export Function-Call Subsystems” on page 23-2 and example <code>rtwdemo_exporting_functions</code></li> </ul>



For...	See...
	<ul style="list-style-type: none"> <li data-bbox="709 300 1307 421">• “Control Generation of Function Prototypes” on page 12-2, “Control Generation of C++ Class Interfaces” on page 12-23, and example <code>rtwdemo_fcnpctctrl</code></li> <li data-bbox="709 439 1332 590">• “What Is Code Replacement?” on page 20-2, “What Is Code Replacement Customization?” on page 24-3, and example “Optimize Generated Code By Developing and Using Code Replacement Libraries - Simulink®”</li> </ul>

- 5 Simulate the integrated model.
- 6 Generate code for the integrated model.
- 7 Connect to data interfaces for the generated C code data structures. See “Exchange Data Between Generated and External Code Using C API” and “Export ASAP2 File for Data Measurement and Calibration” in the Simulink Coder documentation. Also see examples `rtwdemo_capi` and `rtwdemo_asap2`.
- 8 Customize and control the build process, as required. See “Customize Post-Code-Generation Build Processing”, in the Simulink Coder documentation, and example `rtwdemo_buildinfo`.
- 9 Create a zip file that contains generated code files, static files, and dependent data to build the generated code in an environment other than your host computer. See “Relocate Code to Another Development Environment”, in the Simulink Coder documentation, and example `rtwdemo_buildinfo`.



# Numerical Equivalence Checking

---

- “About SIL and PIL Simulations” on page 36-3
- “Choose a SIL or PIL Approach” on page 36-8
- “Configure a SIL or PIL Simulation” on page 36-11
- “Top Model Simulation Using SIL or PIL” on page 36-18
- “Referenced Model Simulation Using SIL or PIL” on page 36-19
- “Verify Internal Signals of a Component” on page 36-21
- “Simulation Mode Override Behavior in Model Reference Hierarchy” on page 36-23
- “Code Interfaces for SIL and PIL” on page 36-25
- “Configure Hardware Implementation Settings for SIL” on page 36-27
- “Debug SIL Simulation” on page 36-32
- “Prevent Code Changes in Multiple SIL and PIL Simulations” on page 36-35
- “Speed Up SIL/PIL Verification” on page 36-37
- “Create PIL Target Connectivity Configuration” on page 36-38
- “Host-Target Communication for PIL” on page 36-43
- “Specify Hardware Timer” on page 36-49
- “PIL Simulation Sequence” on page 36-52
- “Verification of Code Generation Assumptions” on page 36-55
- “View SIL and PIL Files in Code Generation Report” on page 36-56
- “SIL and PIL Scheduling” on page 36-58
- “Imported Data and Function Definitions” on page 36-60
- “SIL and PIL Limitations” on page 36-62
- “Verify Numerical Equivalence with CGV” on page 36-75
- “Verify Numerical Equivalence Between Two Modes of Execution of a Model” on page 36-76

- “Configure Hardware Settings for Software-in-the-Loop (SIL) Simulation” on page 36-83

## About SIL and PIL Simulations

### In this section...

“What are SIL and PIL Simulations?” on page 36-3

“Why Use SIL and PIL” on page 36-4

“How SIL and PIL Simulations Work” on page 36-5

“Comparison of SIL and PIL Simulation” on page 36-6

### What are SIL and PIL Simulations?

The Embedded Coder product supports software-in-the-loop (SIL) and processor-in-the-loop (PIL) simulations.

A SIL simulation involves compiling and running production source code on your host computer to verify the source code. SIL provides a convenient alternative to processor-in-the-loop (PIL) simulation as no target hardware (for example, an evaluation board or instruction set simulator) is required.

A PIL simulation involves cross-compiling and running production object code on a target processor or an equivalent instruction set simulator.

You can run a SIL or PIL simulation using:

- The **Software-in-the-Loop (SIL)** or **Processor-in-the-Loop (PIL)** simulation mode for top models and Model blocks
- A SIL or PIL block

The following features enable you to verify the generated code:

- Ability to compare the output of regular simulation modes, for example, Normal or Accelerator, against the output of SIL and PIL simulation modes.
- Easy switching between regular simulation, SIL, and PIL modes.

You can model and test your embedded software component in Simulink and then reuse your test suites across simulation and compiled production code. This approach avoids the time-consuming process of leaving the Simulink software environment and verifying production code on a separate test infrastructure.

## Why Use SIL and PIL

Through SIL and PIL, you can achieve early verification and fixing of defects. The following table describes situations where you can use SIL and PIL.

Situation	Use
You want to reuse test vectors developed for normal mode simulation to verify numerical output of generated (or legacy) code. For example, reusing test cases generated by Simulink Design Verifier™. See “What Is Test Case Generation?” in Simulink Design Verifier documentation.	SIL and PIL
You want to collect metrics for generated code: <ul style="list-style-type: none"> <li>• Code coverage. See “Configure SIL and PIL Code Coverage” on page 39-3.</li> <li>• Execution profiling. See “Code Execution Profiling for SIL and PIL” on page 28-2</li> <li>• Stack profiling. See “Perform Stack Profiling with IDE and Toolchain Targets” on page 42-27.</li> </ul>	SIL and PIL
You want to achieve IEC 61508, IEC 62304, ISO 26262, or DO-178 certification. See “Embedded Coder Reference Workflow Overview” in the IEC Certification Kit documentation and Testing of Outputs of Integration Process in the DO Qualification Kit documentation.	SIL and PIL
You do not have target hardware and want a convenient alternative to PIL.	SIL
You have target hardware, for example, an evaluation board or instruction set simulator, and you want to: <ul style="list-style-type: none"> <li>• Verify behavior of target-specific code, for example, code replacement optimizations, and legacy code. See “What Is Code Replacement?” on page 20-2 and “What Is Code Replacement Customization?” on page 24-3.</li> <li>• Optimize the execution speed and memory footprint of your code. See the row in this table about collecting execution profiling and stack profiling metrics.</li> <li>• Investigate effects of compiler settings and optimizations, for example, deviation from ANSI C overflow behavior.</li> </ul>	PIL

Situation	Use
<p>Normal simulation techniques do not account for restrictions and requirements that the hardware imposes, such as limited memory resources or behavior of target-specific optimized code.</p> <p>See “Sample Custom Targets” in the Simulink Coder documentation, which gives information about running PIL simulations on specific targets.</p>	

---

**Note:** The SIL and PIL simulation modes are not designed for reducing model simulation times. If you want to speed up the simulation of your model, use the Rapid Accelerator mode. For more information, see:

- “Acceleration”
  - Rapid Accelerator Simulations Using PARFOR
- 

## How SIL and PIL Simulations Work

In a SIL/PIL simulation, code is generated for either the top model or part of the model. With SIL, this code is compiled for, and executed on the host computer. With PIL, the code is cross-compiled for the target hardware and runs on the target processor.

Through a communication channel, Simulink sends stimulus signals to the code on the host or target processor for each sample interval of the simulation:

- For a top model, Simulink uses stimulus signals from the base or model workspace.
- If you have designated only part of the model to simulate in SIL/PIL mode, then a part of the model remains in Simulink without the use of code generation. Typically, you configure this part of the model to provide test vectors for the software executing on the hardware. This part of the model can represent other parts of the algorithm or the environment model in which the algorithm operates.

When the host/target processor receives signals from Simulink, the processor executes the SIL/PIL algorithm for one sample step. The SIL/PIL algorithm returns output signals computed during this step to Simulink through a communication channel. One sample cycle of the simulation is complete, and Simulink proceeds to the next sample interval. The process repeats and the simulation progresses. SIL/PIL simulations do not run in real time. In each sample period, Simulink and the object code exchange I/O data.

## Comparison of SIL and PIL Simulation

Use SIL or PIL simulation to verify automatically generated code by comparing the results with a normal mode simulation. With SIL, you can easily verify the behavior of production source code on your host computer. However, you cannot verify the same code that is subsequently compiled for your target hardware because the code is compiled for your host computer (that is, a different compiler and different processor architecture than the target). With PIL simulation, you can verify the same code that you intend to deploy in production, and you can run the code on either real target hardware or an instruction set simulator.

You can use the following approaches to verification.

Approach	SIL	PIL
Top-model or Model block simulation mode	Generated production code compiled and executed on host computer as separate process, independent of the MATLAB process. Execution is host/host and nonreal time.	Test the generated code as cross-compiled object code on target processor or instruction set simulator. Exercises same object code used in production software. Execution is host/target and nonreal time.
Block	Create SIL block. Software runs compiled object code through S-function. S-function communicates with object code executing as standalone application on host computer. SIL block execution is independent of the MATLAB process. Execution is host/host and nonreal time.	Create PIL block. Software runs cross-compiled object code through S-function on host computer. S-function communicates with object code executing as standalone application on target processor or instruction set simulator. Execution is host/target and nonreal time.

## Related Examples

- “Test Generated Code Using Software-in-the-Loop (SIL) and Processor-in-the-Loop (PIL) Simulation”
- “Choose a SIL or PIL Approach” on page 36-8



- “Configure a SIL or PIL Simulation” on page 36-11
- “Check the SIL or PIL Configuration” on page 36-14

## Choose a SIL or PIL Approach

### In this section...

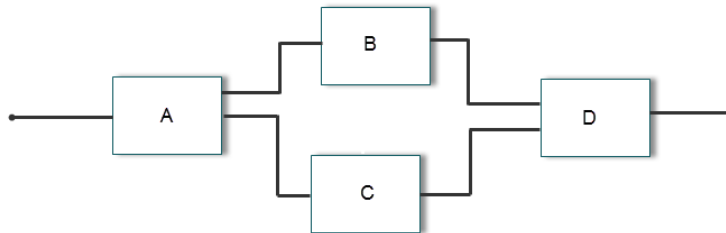
“Verify Top Model Code” on page 36-9

“Verify Referenced Model Code” on page 36-9

“Verify Subsystem Code” on page 36-10

Consider a top model that consists of components A, B, C, and D:

- A and B are existing components for which code has previously been generated and tested.
- C, a referenced model, and D, a subsystem, are new components.



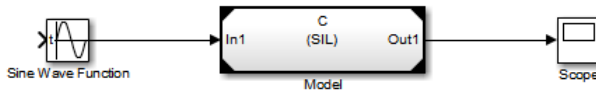
With software-in-the-loop (SIL) and processor-in-the-loop (PIL) simulations, you can use the following approaches to code verification:

- Verify code from all components together. See “Verify Top Model Code” on page 36-9.
- Verify new components separately (before verifying code from all components). See “Verify Referenced Model Code” on page 36-9 and “Verify Subsystem Code” on page 36-10.

For some forms of code verification, you require a test harness model. The test harness model:

- Generates test vectors or stimulus inputs that feed the block under test.
- Makes it possible for you to observe or capture output from the block.

The following example shows a simple test harness model.



The block under test is a **Model** block. The **Sine Wave** block generates the input for the **Model** block. Through the **Scope** block, you can observe the output from the **Model** block.

## Verify Top Model Code

To verify code generated from the top-model components together (A, B, C and D), you can use top-model SIL/PIL or Model block SIL/PIL.

- Top-model SIL/PIL:
  - 1 Create test vectors or stimulus inputs in the MATLAB workspace.
  - 2 Run the top model in Normal, SIL, and PIL simulation modes. The software loads the test vectors or stimulus inputs from the MATLAB workspace.
  - 3 For each simulation mode, observe or capture outputs.
  - 4 Verify the generated code by comparing the Normal and SIL and PIL outputs.
- Model block SIL/PIL:
  - 1 Create a **Model** block that contains the top-model components.
  - 2 Insert the **Model** block in your test harness model.
  - 3 Run simulations, switching the **Model** block between Normal, SIL, and PIL modes. For the SIL and PIL simulation modes, set the **Code interface Model** block parameter to **Top model**.
  - 4 Verify the generated code by comparing the Normal and SIL and PIL outputs.

## Verify Referenced Model Code

To verify code generated from the component **C** as part of a model reference hierarchy, use the **Model** block SIL/PIL approach:

- Insert the Model block **C** in your test harness model.
- Run simulations, switching the **Model** block between Normal, SIL, and PIL modes. For the SIL and PIL simulation modes, set the **Code interface Model** block parameter to **Model reference**.
- Verify the generated code by comparing the Normal and SIL and PIL outputs.

## Verify Subsystem Code

To verify code generated from the subsystem **D**, use the SIL or PIL block approach:

- 1** Insert the subsystem in your test harness model.
- 2** Run a normal mode simulation, capturing the outputs.
- 3** Create a SIL or PIL block from the subsystem.
- 4** In the test harness model, replace the subsystem with the SIL or PIL block.
- 5** Run a simulation of the test harness model, capturing the outputs.
- 6** Verify the generated code by comparing the SIL or PIL block outputs against the normal mode subsystem outputs.

## Related Examples

- “Test Generated Code Using Software-in-the-Loop (SIL) and Processor-in-the-Loop (PIL) Simulation”
- “Configure a SIL or PIL Simulation” on page 36-11

## More About

- “About SIL and PIL Simulations” on page 36-3
- “Code Interfaces for SIL and PIL” on page 36-25

## Configure a SIL or PIL Simulation

### In this section...

- “Top-Model SIL or PIL Simulation” on page 36-11
- “Model Block SIL or PIL Simulation” on page 36-12
- “Use a SIL or PIL Block” on page 36-13
- “Check the SIL or PIL Configuration” on page 36-14

### Top-Model SIL or PIL Simulation

To configure and run a top-model SIL or PIL simulation:

- 1 Open your model.
- 2 Select either **Simulation > Mode > Software-in-the-Loop (SIL)** or **Simulation > Mode > Processor-in-the-Loop (PIL)**.

---

**Note:** This option is available only if the model is configured for an ERT or AUTOSAR target. See “Code Generation Pane: General” and “Export AUTOSAR Component XML and C Code” for configuration information.

---

- 3 If you have not already done so, in the Configuration Parameters dialog box, on the **Data Import/Export** pane:
  - In the **Input** check box and field, specify stimulus signals (or test vectors) for your top model.
  - Configure logging for model outputs, using either *output logging* or *signal logging*:
    - In the **Output** check box and field, specify *output logging*.
    - In the **Signal logging** check box and field, specify *signal logging*.
  - Disable logging of Data Store Memory variables. The software does not support this option for this simulation mode. If you do not clear the **Data stores** check box, the software produces a warning when you run the simulation.
- 4 If you are configuring a SIL simulation, specify the portable word sizes option. This option allows you to switch seamlessly between the SIL and PIL modes. Select **Code Generation > Verification > Enable portable word sizes**.

- 5 If required, configure:
  - Code coverage.
  - Code execution profiling.
  - Creation of code generation report and static code metrics.
- 6 Start the simulation.

---

**Note:** On a Windows operating system, the Windows Firewall can potentially block your SIL simulation. To allow the SIL simulation, use the Windows Security Alert dialog box. For example, in Windows 7, click **Allow access**.

---

You cannot:

- Close the model while the simulation is running. To interrupt the simulation, in the Command Window, press **Ctrl+C**.
- Alter the model during the simulation. You can move blocks and lines as long as it does not alter the behavior of the model.

You can run a top-model SIL or PIL simulation using the command `sim(model)`. The software supports the `sim` command option `SrcWorkspace` for the value `'base'`.

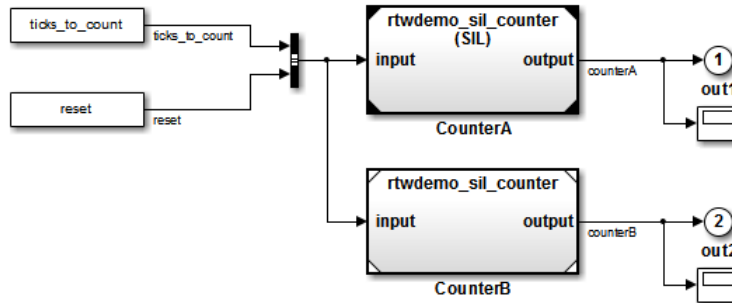
For a PIL simulation, you control the way code compiles and executes in the target environment through connectivity configurations.

## Model Block SIL or PIL Simulation

To configure a `Model` block for a SIL or PIL simulation:

- 1 Open your model, for example, `rtwdemo_sil_modelblock`.
- 2 Right-click your `Model` block, for example, `Counter A`. In the context menu, select **Block Parameters (ModelReference)**, which opens the Function Block Parameters dialog box.
- 3 From the **Simulation Mode** drop-down list, select the required mode, for example, `Software-in-the-loop (SIL)`.
- 4 From the **Code interface** drop-down list, specify the code that you want to test, for example, `Model reference`.

- 5 Click **OK**. The software displays the simulation mode as a block label.



If you select **Top model**, the software displays the block label (**SIL: Top**).

- 6 If you are configuring a SIL simulation, specify the portable word sizes option. This option allows you to switch seamlessly between the SIL and PIL modes. Select **Code Generation > Verification > Enable portable word sizes**.
- 7 If required, configure:
- Code coverage.
  - Code execution profiling for your Model block, by configuring execution profiling for the top model.
  - Creation of code generation report and static code metrics.
- 8 Start the simulation.

---

**Note:** On a Windows operating system, the Windows Firewall can potentially block your SIL simulation. To allow the SIL simulation, use the Windows Security Alert dialog box. For example, in Windows 7, click **Allow access**.

---

For a PIL simulation, you control the way code compiles and executes in the target environment through connectivity configurations.

## Use a SIL or PIL Block

You can automatically create a SIL or PIL block from a subsystem and use this block to test the code generated from the subsystem:

- 1 In the Configuration Parameters dialog box, click the **All Parameters** tab.
- 2 From the **Create block** drop-down list, select either **SIL** or **PIL**.
- 3 If required, configure code execution profiling.
- 4 Click **OK**.
- 5 In your model window, right-click the subsystem that you want to simulate.
- 6 Select **C/C++ Code > Build This Subsystem**.
- 7 Click **Build** to start a subsystem build that generates a SIL or PIL block for the generated subsystem code.
- 8 Add the generated block to an environment or test harness model that supplies test vectors or stimulus input.
- 9 Run simulations with the environment or test harness model to perform SIL or PIL tests.
- 10 Verify that the generated code in the SIL or PIL block provides the same results as the original subsystem.

---

**Note:** On a Windows operating system, the Windows Firewall can potentially block your SIL simulation. To allow the SIL simulation, use the Windows Security Alert dialog box. For example, in Windows 7, click **Allow access**.

---

You cannot create a SIL or PIL block if you do one of the following:

- Disable the `CreateSILPILBlock` property.
- Select a code coverage tool.

**Create block** appears dimmed.

For a PIL simulation, you control the way code compiles and executes in the target environment through connectivity configurations.

## Check the SIL or PIL Configuration

To run a SIL or PIL simulation, you might need to change some model settings. To find out what settings you must change, use the `cgv.Config` class. Using the `cgv.Config` class, you can review your model configuration and determine which settings you must change to configure the model for SIL or PIL. By default, `cgv.Config` changes



configuration parameter values to the value that it recommends, but does not save the model. Alternatively, you can specify that `cgv.Config` use one of the following approaches:

- Change configuration parameter values to the values that `cgv.Config` recommends, and save the model. Specify this approach using the `SaveModel` property.
- List the values that `cgv.Config` recommends for the configuration parameters, but do not change the configuration parameters or the model. Specify this approach using the `ReportOnly` property.

---

**Note:**

- To execute the model in the target environment, you might need to make additional modifications to the configuration parameter values or the model.
  - Do not use referenced configuration sets in models that you are changing using `cgv.Config`. If the model uses a referenced configuration set, update the model with a copy of the configuration set. Use the `Simulink.ConfigSetRef.getRefConfigSet` method. For more information, see `Simulink.ConfigSetRef` in the Simulink documentation.
  - If you use `cgv.Config` on a model that executes a callback function, the callback function might change configuration parameter values each time the model loads. The callback function might revert changes that `cgv.Config` made. When this change occurs, the model might no longer be set up for SIL or PIL. For more information, see “Callbacks for Customized Model Behavior”.
- 

To verify that your model is configured for SIL or PIL:

- 1 Construct a `cgv.Config` object that changes the configuration parameter values without saving the model. For example, to configure your model for SIL:

```
c = cgv.Config('vdp', 'connectivity', 'sil');
```

---

**Tip**

- You can obtain a list of changes without changing the configuration parameter values. When you construct the object, include the `'ReportOnly', 'on'` property name and value pair.

- You can change the configuration parameter values and save the model. When you construct the object, include the 'SaveModel', 'on' property name and value pair.

- 
- 2 Determine and change the configuration parameter values that the object recommends using the `configModel` method. For example:

```
c.configModel();
```

- 3 Display a report of the changes that `configModel` makes. For example:

```
c.displayReport();
```

- 4 Review the changes.

- 5 To apply the changes to your model, save the model.

## See Also

`cgv.Config`

## Related Examples

- “Choose a SIL or PIL Approach” on page 36-8
- “Test Generated Code Using Software-in-the-Loop (SIL) and Processor-in-the-Loop (PIL) Simulation”
- “Configure Hardware Implementation Settings for SIL” on page 36-27
- “Create PIL Target Connectivity Configuration” on page 36-38
- “Debug SIL Simulation” on page 36-32
- “Configure SIL and PIL Code Coverage” on page 39-3
- “Configure Code Execution Profiling for SIL and PIL” on page 28-4
- “View SIL and PIL Files in Code Generation Report” on page 36-56
- “Run Simulation Using the `sim` Command”

## More About

- “Code Execution Profiling for SIL and PIL” on page 28-2
- “Code Interfaces for SIL and PIL” on page 36-25
- “Simulation Mode Override Behavior in Model Reference Hierarchy” on page 36-23

- “SIL and PIL Limitations” on page 36-62

## Top Model Simulation Using SIL or PIL

With a top-model SIL or PIL simulation:

- Simulink generates and executes code that uses the same code interface produced by the standalone build process.
- You can load data from the MATLAB workspace to specify stimulus signals, and you can log output signals, which allows you to verify object code generated from a complete model without creating a separate test harness model. Running the SIL or PIL simulation is a simple operation.

You can use the `Model` block approach as an alternative to top-model SIL or PIL simulation.

For the top-model SIL/PIL approach, Simulink creates a hidden model, `modelName_wrapper`. When you run a top-model SIL simulation, the software generates code for the model and uses the hidden model to call this code at each time step. As a result, in some circumstances, logged signals might have a `_wrapper` suffix.

During a SIL/PIL simulation, the software can generate warnings that refer to the hidden model. For example:

```
Warning: The model 'modelName_wrapper' has the 'Configuration Parameters' ...
```

### More About

- “Code Interfaces for SIL and PIL” on page 36-25
- “Choose a SIL or PIL Approach” on page 36-8
- “Top-Model Root-Level Logging” on page 36-70

## Referenced Model Simulation Using SIL or PIL

In addition to the Normal and Accelerator simulation modes, `Model` blocks support the Software-in-the-loop (SIL) and Processor-in-the-loop (PIL) simulation modes.

You can switch easily between the simulation modes. This feature allows you to verify the generated code by executing the referenced model as compiled code on the host computer or target platform. You can model and test your embedded software component in Simulink and reuse your regression test suites across simulation and compiled object code. With this capability, you can avoid the time-consuming process of leaving the Simulink software environment to run tests on object code compiled for your production hardware.

When you set the **Simulation mode** (`SimulationMode`) parameter to `Software-in-the-loop (SIL)` or `Processor-in-the-loop (PIL)`, you can specify the code under test through the Function Block Parameters dialog box.

Code interface ( <code>CodeInterface</code> ) Setting	Description
Top model	Code generated from top model with the standalone code interface. Code generation uses the <code>slbuild('model')</code> command.  On the <code>Model</code> block, under the model name, the text label is (SIL: Top) or (PIL: Top).
Model reference	Code generated from referenced model as part of a model reference hierarchy. Code generation uses the <code>slbuild('model', 'ModelReferenceRTWTarget')</code> command.  On the <code>Model</code> block, under the model name, the text label is (SIL) or (PIL).

### Related Examples

- “Verify Referenced Model Code” on page 36-9
- “Configure a SIL or PIL Simulation” on page 36-11

### **More About**

- “Simulation Mode Override Behavior in Model Reference Hierarchy” on page 36-23
- “Code Interfaces for SIL and PIL” on page 36-25

## Verify Internal Signals of a Component

Outputs of the SIL or PIL component are available for verification. If you want to examine an internal signal, you can enable internal signal logging for top-model or Model block SIL or PIL. Through signal logging you can:

- Collect signal logging outputs during SIL/PIL simulations, for example, `logout`.
- Log the internal signals and the root-level outputs of a SIL/PIL component.
- Manage the SIL/PIL signal logging settings using the Simulink Signal Logging Selector.
- Compare logged signals between normal, SIL, and PIL simulations, for example, using the Simulation Data Inspector.

SIL/PIL signal logging requires the following model configuration settings:

- On the **Data Import/Export** pane of the Configuration Parameters dialog box, set **Format** to **Dataset**.
- On the **Code Generation > Interface** pane of the Configuration Parameters dialog box, set **Interface** to **C API**.

The C API is used to determine the addresses of the internal signals that need to be logged.

You can use other methods to examine internal signals of the SIL or PIL component:

- Manually route the signal to the top level.
- Use global data stores to access internal signals:
  - 1 Inside the component, connect a **Data Store Write** block to the required signal.
  - 2 Outside the component, use a **Data Store Read** block to access the signal value.
- Use MAT-file logging. Note that:
  - MAT-file logging does not support signal logging. If signal logging is enabled, `logout` is generated but not stored in the MAT-file.
  - For PIL, the target environment must support MAT-file logging.

### Related Examples

- “Global Data Store Example”

- “Log Program Execution Results”

### **More About**

- “SIL and PIL Limitations” on page 36-62
- “Local and Global Data Stores”



## Simulation Mode Override Behavior in Model Reference Hierarchy

This section describes simulation behavior when the top model contains a `Model` block. This `Model` block can also be a parent block containing child `Model` blocks at lower levels of its reference hierarchy.

---

**Note:** You can view your model hierarchy in the Model Dependency Viewer. In the Referenced Model Instances view, the software displays `Model` blocks differently to indicate their simulation modes, for example, Normal, Accelerator, SIL, and PIL. In this view, the software does not indicate the simulation mode of the top model.

---

You can specify the simulation mode of a top model to be Normal, Accelerator, Rapid Accelerator, SIL, or PIL. With a `Model` block, you can specify all modes *except* Rapid Accelerator. The configured simulation mode of a `Model` block can be overridden by the parent simulation mode. The following table shows how the software determines the effective simulation mode of a `Model` block in the hierarchy.

Mode of Top Model or Parent Block	Mode of Parent or Child Block in Reference Hierarchy			
	Normal	Accelerator	SIL	PIL
<b>Normal</b>	Equivalent	Compatible	Compatible	Compatible
<b>Accelerator</b>	Override	Equivalent	Compatible if top model mode is Accelerator. Error if parent block mode is Accelerator.	Compatible if top model mode is Accelerator. Error if parent block mode is Accelerator.
<b>Rapid Accelerator</b>	Override	Override	Error	Error
<b>SIL</b>	Override	Override	Equivalent	Error
<b>PIL</b>	Override	Override	Error	Equivalent

The following list explains the different types of simulation behavior:

- Equivalent – Both parent and child `Model` block run in the same simulation mode.

- **Compatible** – The software simulates the child block in the mode specified for the child block, for example, when the simulation mode of the top model is Normal or Accelerator.
- **Error** – The simulation produces an error. For example, if a top model has simulation mode Rapid Accelerator but contains a child block in SIL or PIL mode, then running a simulation produces an error: the Rapid Accelerator mode cannot override the SIL and PIL mode of child blocks. This behavior avoids the risk of “false positives”, that is, the simulation of a model in Rapid Accelerator mode will not lead to the conclusion that generated source or object code of child Model blocks has been tested or verified.
- **Override** – The simulation mode of the top model or parent Model block overrides the simulation mode of the child block. For example, if a top model or parent Model block that is configured for a SIL simulation contains a child Model block with simulation mode Normal or Accelerator, then the software simulates the child block in SIL mode. This override behavior:
  - Allows a Model block in the reference hierarchy to have the SIL or PIL mode.
  - Makes lower-level referenced models execute in SIL or PIL mode if you simulate the top model or parent Model block in SIL or PIL mode. You do not have to switch manually the simulation mode of every model component in the hierarchy.

---

**Note:** For a model reference hierarchy that consists of multiple sub-hierarchies, if the top-model simulation mode is Normal or Accelerator, the software can run only one sub-hierarchy in PIL mode. For example, if your normal mode top model contains multiple Model blocks, you can specify the PIL mode for only one of the Model blocks.

---

## More About

- “What Is Acceleration?”
- “About SIL and PIL Simulations” on page 36-3

## Code Interfaces for SIL and PIL

### In this section...

“Code Interface for Top-Model SIL or PIL” on page 36-26

“Code Interface for Model Block SIL or PIL” on page 36-26

You generate standalone code when you perform, for example, a top-model or right-click subsystem build for a single deployable component. You can compile and link standalone code into a standalone executable or integrate it with other code. For more information on the standalone code interface, see “Entry-Point Functions and Scheduling”.

When you generate code for a referenced model hierarchy, the software generates standalone executable code for the top model, and a library module called a *model reference target* for each referenced model. When the code executes, the standalone executable invokes the applicable model reference targets to compute the referenced model outputs.

If you intend to integrate automatically generated code with legacy code, use standalone code because the standalone code interface is documented.

---

**Note:** SIL and PIL simulations do not provide direct support for custom code interfaces. However, you can incorporate these interfaces into Simulink as an S-function (for example, using the Legacy Code Tool, S-Function Builder, or handwritten code), and then verify them using SIL and PIL simulations.

---

SIL/PIL Approach	Standalone Code Interface	Model Reference Code Interface
Top-model	Yes	No (but you can include Model blocks inside your top model)
Model block	Yes (if you set <b>Code interface</b> to Top model)	Yes (if you set <b>Code interface</b> to Model reference)
SIL or PIL block	Yes	No

## Code Interface for Top-Model SIL or PIL

A top-model SIL or PIL simulation generates the *standalone code interface* for the model. The software calls the standalone code for the `model` if it already exists. The software generates the standalone code if it does not exist.

## Code Interface for Model Block SIL or PIL

For a `Model` Block SIL or PIL simulation, the value of the **Code interface** block parameter determines the code interface:

- `Top model` — The simulation generates the *standalone code interface* for the model. The software calls the standalone code for the `model` if it already exists. The software generates the standalone code if it does not exist.
- `Model reference` — The simulation generates the *model reference* code interface. The software calls the model reference target for the `Model` block if it already exists. The software generates the model reference target if it does not exist.

You can also generate the model reference target in the following ways:

- Press **Ctrl+B** to build the top model containing the `Model` block.
- Use the command `slbuild`, specifying the model reference option, for example:

```
slbuild('model', 'ModelReferenceRTWTargetOnly')
```

## Related Examples

- “Build Model Reference Targets”
- “Choose a SIL or PIL Approach” on page 36-8
- “Configure a SIL or PIL Simulation” on page 36-11

## More About

- “Entry-Point Functions and Scheduling”

## Configure Hardware Implementation Settings for SIL

### In this section...

“Choose Hardware Implementation Approach” on page 36-27

“Portable Word Sizes” on page 36-27

“Test Hardware” on page 36-29

“Production hardware” on page 36-30

### Choose Hardware Implementation Approach

Approach	Use when
Portable word sizes	You want to switch between the SIL and PIL modes without regenerating code.
Test hardware	You want to work around a limitation of portable word sizes.
Production hardware	Production hardware settings match your host computer architecture.

For information about test and production targets, see “Platform Options for Development and Deployment” in the Simulink Coder documentation.

### Portable Word Sizes

Embedded Coder provides an option to specify portable word sizes. If you select this option for a model, you can use the same generated source code files for:

- Software-in-the-loop (SIL) simulation on the host computer
- Production deployment on the target platform

To configure a model to use portable word sizes, set the following model configuration parameters.

Parameter	Setting
ProdEqTarget in the Configuration Parameters list view	on.
PortableWordSizes in the Configuration Parameters list view, or in the Configuration	on, selected.

Parameter	Setting
Parameters dialog box, <b>Code Generation &gt; Verification &gt; Enable portable word sizes</b>	

### Generated Code Compilation with Portable Word Sizes

When you generate code for a model with portable word sizes specified, the code generator conditionalizes data type definitions in `rtwtypes.h`:

```
#ifdef PORTABLE_WORDSIZES          /* PORTABLE_WORDSIZES defined */
...
#else                               /* PORTABLE_WORDSIZES not defined */
...
#endif                             /* PORTABLE_WORDSIZES */
```

If you use the template makefile approach to build code for your host computer, the template makefile that you select controls the passing of the `PORTABLE_WORDSIZES` definition to the compiler. For example, `ert_unix.tmf` has the following lines:

```
ifeq ($(PORTABLE_WORDSIZES),1)
CPP_REQ_DEFINES += -DPORTABLE_WORDSIZES
endif
```

---

**Note:** The template makefile that you use to build code for your target must not contain the `PORTABLE_WORDSIZES` definition.

---

With the toolchain approach, the software specifies `-DPORTABLE_WORDSIZES` for the compiler only for host-based builds.

For information about the template makefile and toolchain approaches to building code, see “Configure Build Process”.

### Code that the Host Cannot Compile

Consider the case where your target uses code that the host cannot compile. When you switch from the PIL mode to the SIL mode and try to simulate the model, you see compilation errors. You might be able to work around this problem by adding the source

code files to the `SkipForSil` group in the build information object `RTW.BuildInfo`. The SIL build on the host platform does not compile source files present in the `SkipForSil` group. For information about how you add source code files to a group in the build information object, see:

- `addSourceFiles` in the Simulink Coder documentation
- “Customize Post-Code-Generation Build Processing” in the Simulink Coder documentation

### Portable Word Sizes Limitations

The following limitations apply when using portable word sizes in SIL simulation:

- Numerical results might differ between generated code executing in a SIL simulation and generated code executing on the production hardware under one of the following conditions:
  - Your model contains blocks implemented in TLC, for which C integral promotion in expressions might behave differently between the MATLAB host and the production hardware target. Normal and PIL simulation results will match, but SIL simulation results might be different.
  - Your production hardware implements rounding to `FLOOR` for signed integer division, and divisions in your model use rounding mode `Ceiling`, `Floor`, `Simplest`, or `Zero`. Normal and PIL simulation results will match, but SIL simulation results might be different.
  - You use custom code with the Stateflow product. In this case, type conversion statements will not be inserted into the custom code, which might be required to achieve target overflow behavior on the host. Normal and PIL simulation results will match, but SIL simulation results might be different.

## Test Hardware

Use this approach only if you need to work around a limitation of portable word sizes.

To configure a model for test hardware, set the following model configuration parameters.

Parameter	Setting
<code>PortableWordSizes</code> in the Configuration Parameters list view, or in the Configuration	off, cleared.

Parameter	Setting
Parameters dialog box, <b>Code Generation &gt; Verification &gt; Enable portable word sizes</b>	
ProdEqTarget in the Configuration Parameters list view	off.
TargetHWDeviceType in the Configuration Parameters list view	Custom Processor.

For an example of how to configure a model to maintain bit-true agreement between host simulation and target deployment, and generate code that is portable between the host and target systems, see “Configure Hardware Settings for Software-in-the-Loop (SIL) Simulation” on page 36-83.

## Production hardware

You can use this approach only when the production hardware settings match your host computer architecture.

Set the following model configuration parameters.

Parameters	Settings
PortableWordSizes in the Configuration Parameters list view, or in the Configuration Parameters dialog box, <b>Code Generation &gt; Verification &gt; Enable portable word sizes</b>	off, cleared.
ProdEqTarget in the Configuration Parameters list view	on.
Prod* production hardware parameters in the Configuration Parameters list view, or in the Configuration Parameters dialog box, parameters under <b>Device details</b> .	Select settings that match your host computer architecture.

## See Also

addSourceFiles

## Related Examples

- “Configure Build Process”



- “Configure Hardware Settings for Software-in-the-Loop (SIL) Simulation” on page 36-83

## **More About**

- “Platform Options for Development and Deployment”
- “Customize Post-Code-Generation Build Processing”

## Debug SIL Simulation

If a SIL simulation fails or you notice differences between the outputs of your original functions and the generated code, you can rerun the SIL simulation with a debugger enabled. By inserting breakpoints, you can observe the behavior of code sections, which might help you to understand the cause of the problem.

For a SIL simulation failure, you can also view information from the standard output and standard error streams in the Diagnostic Viewer. For example:

- Output from `printf` statements in your code.
- Error messages sent to `stderr`.
- Some low-level system messages.

---

**Note:** During a SIL simulation, the SIL application redirects the `stdout` and `stderr` streams. When the application terminates, the Diagnostic Viewer displays the information from the redirected streams. The SIL application also provides a basic signal handler, which captures the POSIX<sup>®</sup> signals `SIGFPE`, `SIGILL`, `SIGABRT`, and `SIGSEV`. For this signal handler, the SIL application includes the file `signal.h`.

---

A SIL simulation supports the following debuggers;

- On Windows, Microsoft Visual Studio debugger.
- On Linux, GNU Data Display Debugger (DDD).

---

**Note:** You can perform SIL debugging only if your Microsoft Visual C++ or GNU GCC compiler is supported by the Simulink product family. For more information, see supported compilers.

---

To enable your debugger for a SIL simulation, on the **Configuration Parameters > Code Generation > Verification** pane, select the **Enable source-level debugging for SIL** check box.

If your top model has `Model` blocks where the **Code interface** block parameter is set to `Top model`, then the **Enable source-level debugging for SIL** parameters for the top model and referenced models must have the same settings. Otherwise, the software produces an error.

When you run the SIL simulation, for example on a Windows computer, your *model.c* or *model.cpp* file opens in the Microsoft Visual Studio IDE with debugger breakpoints at the start of the *model\_initialize* and *model\_step* functions.

The screenshot shows the Visual Studio IDE with the file `rtwdemo_sil_topmodel.c` open. A red circle breakpoint is placed on the line `void rtwdemo_sil_topmodel_initialize(void)`. The code includes logic for two subsystems, CounterTypeA and CounterTypeB, each with its own logic and output functions. The `enableA` and `enableB` variables are calculated based on the state of `rtU.counter_mode` and `rtU.count_enable`.

```

(Unknown Scope)
void rtwdemo_sil_topmodel_step(void)
{
    /* Logic: '<Root>/Logical Operator2' incorporates:
     * Inport: '<Root>/count_enable'
     * Inport: '<Root>/counter_mode'
     * Logic: '<Root>/Logical Operator'
     */
    enableA = ((!rtU.counter_mode) && rtU.count_enable);

    /* Outputs for Enabled SubSystem: '<Root>/CounterTypeA' */
    CounterTypeA();

    /* End of Outputs for SubSystem: '<Root>/CounterTypeA' */
    /* Logic: '<Root>/Logical Operator1' incorporates:
     * Inport: '<Root>/count_enable'
     * Inport: '<Root>/counter_mode'
     */
    enableB = (rtU.counter_mode && rtU.count_enable);

    /* Outputs for Enabled SubSystem: '<Root>/CounterTypeB' */
    CounterTypeB();

    /* End of Outputs for SubSystem: '<Root>/CounterTypeB' */
}

/* Model initialize function */
void rtwdemo_sil_topmodel_initialize(void)
{
}
  
```

You can now use the debugger features to observe code behavior. For example, you can step through code and examine variables.

To end the debugging session:

- 1 Remove all breakpoints.
- 2 Click the `Continue` button (**F5**).

The SIL simulation runs to completion and the Microsoft Visual Studio IDE closes automatically.

**Note:** In the Microsoft Visual Studio IDE, if you select **Debug > Stop Debugging**, the SIL simulation times out with the following error message:

The timeout of 1 seconds for receiving data from the rtiostream interface has been exceeded. There are multiple possible causes for this failure.

...  
...

---

### **Related Examples**

- “Configure a SIL or PIL Simulation” on page 36-11

## Prevent Code Changes in Multiple SIL and PIL Simulations

Use **Model** block SIL/PIL or the SIL/PIL block with fast restart when you want to run multiple SIL or PIL simulations with:

- Varying test vectors (parameter sets and input data).
- Unchanged generated code, that is, none of the simulations regenerate or rebuild code after the initial build. For example, you want to avoid the incremental code generation that an initial value change can trigger.

For **Model** block SIL/PIL, you can also use one of these methods:

- In your test harness model, set **Configuration Parameters > Model Referencing > Rebuild** to **Never**. If the **Model** block **Code interface** parameter is **Model reference**, the software does not rebuild the referenced model code. (If the **Code interface** parameter is **Top model**, the software ignores the **Rebuild** setting.)
- Create a protected model and generate source or binary code. Then, insert the protected model in your test harness model. With this method, you can verify top-model code (with the standalone code interface) or model reference code.

For the alternative methods of running **Model** block SIL/PIL, the following table summarizes code generation behavior after the initial build.

SIL and PIL Approach		Code Generation Behavior After Initial Build
Model block	<b>Configuration Parameters &gt; Model Referencing &gt; Rebuild</b> of test harness model set to <b>Never</b> .	<ol style="list-style-type: none"> <li><b>1</b> Component (algorithm) code from initial build is not regenerated.</li> <li><b>2</b> Component code makefile is not called.</li> <li><b>3</b> SIL/PIL application files from initial build are not regenerated.</li> <li><b>4</b> SIL/PIL application makefile is called.</li> </ol>
Model block (protected model)	Source code from protected model.	You observe the same behavior except for feature 2. In this case, the component

SIL and PIL Approach		Code Generation Behavior After Initial Build
		code makefile is run. The component code is recompiled and linked to produce new object code.
	Binary code from protected model.	You observe features 1–4.

### Related Examples

- “Speed Up SIL/PIL Verification” on page 36-37
- “Model Referencing Pane”
- “Create a Protected Model”
- “Choose a SIL or PIL Approach” on page 36-8
- “Configure a SIL or PIL Simulation” on page 36-11

## Speed Up SIL/PIL Verification

If your model has SIL/PIL blocks or `Model` blocks in SIL/PIL mode, you can speed up SIL/PIL verification by:

- Running the top-model simulation in Accelerator mode. This mode accelerates the simulation of model components that are not in SIL or PIL mode.
- Turning on fast restart using the **Fast restart** button on the Simulink Editor toolbar. After the first simulation, you can tune parameters and rerun simulations without model recompilation.

---

**Note:** The SIL and PIL simulation modes are not designed for reducing model simulation times. If you want to speed up the simulation of your model, use the Rapid Accelerator mode.

---

### Related Examples

- “Perform Acceleration”
- “Fast Restart Workflow”
- Rapid Accelerator Simulations Using PARFOR
- “Prevent Code Changes in Multiple SIL and PIL Simulations” on page 36-35

## Create PIL Target Connectivity Configuration

### In this section...

“Target Connectivity Configurations for PIL” on page 36-38

“Create a Target Connectivity API Implementation” on page 36-39

“Register a Connectivity API Implementation” on page 36-40

“Target Connectivity API Examples” on page 36-41

### Target Connectivity Configurations for PIL

Use target connectivity configurations and the target connectivity API to customize processor-in-the-loop (PIL) simulation for your target environments.

Through a target connectivity configuration, you specify:

- A configuration name for a target connectivity API implementation.
- Settings that define the set of compatible Simulink models. For example, the set of models that have a particular system target file, template makefile, and hardware implementation.

A PIL simulation requires a target connectivity API implementation that integrates third-party tools for:

- Cross-compiling generated code, creating the PIL application that runs on the target hardware.
- Downloading, starting, and stopping the application on the target.
- Communicating between Simulink and the target.

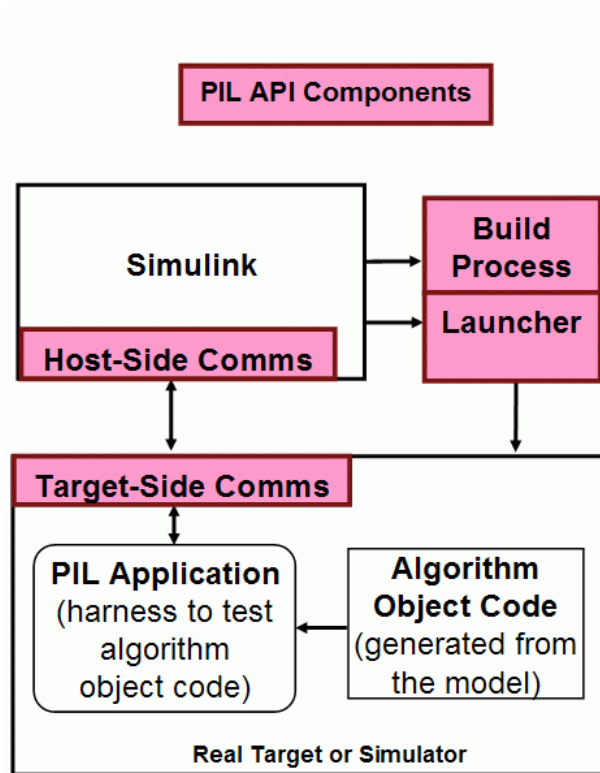
You can have many different target connectivity configurations for PIL simulation. Register a connectivity configuration with Simulink by creating an `sl_customization.m` file and placing it on the MATLAB search path.

When you run a PIL simulation, the software determines which of the available connectivity configurations to use. The software looks for a connectivity configuration that is compatible with the model under test. If the software finds multiple or no compatible connectivity configurations, the software generates an error message with information about resolving the problem.



## Create a Target Connectivity API Implementation

This diagram shows the components of the PIL target connectivity API.



These steps outline how you create a target connectivity API implementation. The example code shown in the steps is taken from `ConnectivityConfig.m` in “Configure Processor-in-the-Loop (PIL) for a Custom Target”.

- 1 Create a subclass of `rtw.connectivity.Config`.  

```
ConnectivityConfig < rtw.connectivity.Config
```
- 2 In the subclass, create instances of the builder and launcher classes:
  - Instantiate `rtw.connectivity.MakefileBuilder`, which configures the build process.  

```
builder = rtw.connectivity.MakefileBuilder(componentArgs, ...
```

```
targetApplicationFramework, ...  
exeExtension);
```

- Instantiate `rtw.connectivity.Launcher`, which downloads and executes the application using a third-party tool.

```
launcher = mypil.Launcher(componentArgs, builder);
```

- 3 Configure your `rtiostream` API implementation of the host-target communications channel.

- For the target-side, you must provide the driver code for communications, for example, TCP/IP or serial communications. To integrate this code into the build process, create a subclass of `rtw.pil.RtIOStreamApplicationFramework`.
- For the host side, you can use a supplied library for TCP/IP or serial communications. Instantiate `rtw.connectivity.RtIOStreamHostCommunicator`, which loads and initializes the library that you specify.

```
hostCommunicator = rtw.connectivity.RtIOStreamHostCommunicator(componentArgs, ...  
                                                                launcher, ...  
                                                                rtiostreamLib);
```

- 4 If you require execution time profiling of generated code, create a timer object that provides details of the hardware-specific timer and associated source files. See “Specify Hardware Timer” on page 36-49.

---

**Note:** Each time you modify a connectivity implementation, close and reopen the models to refresh them.

---

## Register a Connectivity API Implementation

To register a target connectivity API implementation as a target connectivity configuration in Simulink:

- 1 Create or update an `sl_customization.m` file. In this file:
  - Create a target connectivity configuration object that specifies, for example, the configuration name for a target connectivity API implementation and compatible models.
  - Invoke `registerTargetInfo`.
- 2 Add the folder containing `sl_customization.m` to the search path and refresh your customizations.

```
addpath(sl_customization_path);  
sl_refresh_customizations;
```

For more information, see `rtw.connectivity.ConfigRegistry`.

## Target Connectivity API Examples

For step-by-step examples, see:

- “Configure Processor-in-the-Loop (PIL) for a Custom Target”

This example shows you how to create a custom PIL implementation using the target connectivity APIs. You can examine the code that configures the build process to support PIL, a downloading and execution tool, and a communication channel between host and target. Follow the steps in the example to activate a full host-based PIL configuration.

- “Create a Target Communication Channel for Processor-in-the-Loop (PIL) Simulation”

This example shows you how to implement a communication channel for use with the Embedded Coder product and your embedded target. This communication channel enables exchange of data between different processes. PIL simulation requires exchange of data between the Simulink software running on your host computer and deployed code executing on target hardware.

The `rtiostream` interface provides a generic communication channel that you can implement in the form of target connectivity drivers for a range of connection types. The example shows how to configure your own target-side driver for TCP/IP, to operate with the default host-side TCP/IP driver. The default TCP/IP communications allow high-bandwidth communication between host and target, which you can use for transferring data such as video.

---

**Note:** If you customize the `rtiostream` TCP/IP implementation for your PIL simulations, you must turn off Nagle's algorithm for the server side of the connection. If Nagle's algorithm is not turned off, your PIL simulations might run at a significantly slower speed. The `matlabroot/rtw/c/src/rtiostream/rtiostreamtcpip/rtiostream_tcpip.c` file shows how you can turn off Nagle's algorithm:

```
/* Disable Nagle's Algorithm*/
```

```
option = 1;  
sockStatus = setsockopt(lFd, IPPROTO_TCP, TCP_NODELAY, (char*)&option, sizeof(option));
```

For your custom TCP/IP implementation, you might have to modify this code.

---

The example also shows how to implement custom target connectivity drivers, for example, using serial, CAN, or USB for both host and target sides of the communication channel.

## See Also

`rtw.connectivity.Config` | `rtw.connectivity.ConfigRegistry` |  
`rtw.connectivity.Launcher` | `rtw.connectivity.MakefileBuilder`  
| `rtw.connectivity.RtIOStreamHostCommunicator` |  
`rtw.pil.RtIOStreamApplicationFramework`

## Related Examples

- “Specify Hardware Timer” on page 36-49
- “Create Subclasses — Syntax and Techniques”

## More About

- “Host-Target Communication for PIL” on page 36-43

## Host-Target Communication for PIL

### In this section...

“Communications `rtiostream` API” on page 36-43

“Synchronize Host and Target” on page 36-44

“Test an `rtiostream` Driver” on page 36-45

### Communications `rtiostream` API

The `rtiostream` API supports communications for the target connectivity API. Use the `rtiostream` API to implement a communication channel that enables data exchange between different processes.

PIL verification requires a host-target communications channel. This communications channel comprises driver code that runs on the host and target. The `rtiostream` API defines the signature of target-side and host-side functions that must be implemented by this driver code.

The API is independent of the physical layer that sends the data. Possible physical layers include RS232, Ethernet, or Controller Area Network (CAN).

A full `rtiostream` implementation requires both host-side and target-side drivers. Code generation software includes host-side drivers for the default TCP/IP implementation as well as a version for serial communications. To use:

- The TCP/IP `rtiostream` communications channel, you must provide, or obtain from a third party, target-specific TCP/IP device drivers.
- The serial communications channel, you must provide, or obtain from a third party, target-specific serial device drivers.

For other communication channels and platforms, the code generation software does not provide default implementations. You must provide both the host-side and the target-side drivers.

The `rtiostream` API comprises the following functions:

- `rtIOStreamOpen`

- `rtIOStreamSend`
- `rtIOStreamRecv`
- `rtIOStreamClose`

For information about:

- Using `rtiostream` functions in a connectivity implementation, see “Create a Target Connectivity API Implementation” on page 36-39.
- Testing the `rtiostream` shared library methods from MATLAB code, see `rtiostream_wrapper`.
- Debugging and verifying the behavior of custom `rtiostream` interface implementations, see “Test an `rtiostream` Driver” on page 36-45.

## Synchronize Host and Target

If you use the `rtiostream` API to implement the communications channel, the host and target must be synchronized, which prevents Simulink from transmitting and receiving data before the target application is fully initialized.

To synchronize the host and target for TCP/IP `rtiostream` implementations, use the `setInitCommsTimeout` method from `rtw.connectivity.RtIOStreamHostCommunicator`. This approach works well for connection-oriented TCP/IP `rtiostream` implementations because Simulink automatically waits until the target server is running.

With other `rtiostream` implementations, for example, serial, the Simulink side of the `rtiostream` connection will open without waiting for the target to be fully initialized. In this case, you must make your `Launcher` implementation wait until the target application is fully initialized. Use one of the following approaches to synchronize your host and target:

- Add a pause at the end of the `Launcher` implementation that makes the `Launcher` wait until target initialization is complete.
- In the `Launcher` implementation, use third-party downloader or debugger APIs that wait until target initialization is complete.
- Implement a handshaking mechanism in the `Launcher / rtiostream` implementation to confirm that target initialization is complete.

## Test an `rtiostream` Driver

Use a test suite to debug and verify the behavior of custom `rtiostream` interface implementations.

The test suite has the following advantages:

- Reduces time for integrating custom hardware that does not have built-in `rtiostream` support.
- Reduces time for testing custom `rtiostream` drivers.
- Helps analyze the performance of custom `rtiostream` drivers.

The test suite has two parts. One part of the test suite runs on the target.

---

**Note:** After building the target application, download it to the target and run it.

---

To launch this part, compile and link the following files, which are in the folder `matlabroot/toolbox/coder/rtiostream/src/rtiostreamtest` (open).

- `rtiostreamtest.c`
- `rtiostreamtest.h`
- `rtiostream.h`, located in the folder `matlabroot/rtw/c/src` (open)
- `rtiostream` implementation under investigation (for example, `rtiostream_tcpip.c`)
- `main.c`

To run the MATLAB part of the test suite, invoke `rtiostreamtest`. The syntax is as follows:

```
rtiostreamtest(connection,param1,param2)
```

- `connection` is a string indicating the communication method. It can have values `'tcp'` or `'serial'`.
- `param1` and `param2` have different values depending on the value of `connection`.
  - If `connection` is `'tcp'`, then `param1` and `param2` are hostname and port, respectively. For example, `rtiostreamtest('tcp', 'localhost', 2345)`.

- If connection is 'serial', then param1 and param2 are COM port and baud rate, respectively. For example, `rtiostreamtest('serial', 'COM1', 9600)`.

You can run the MATLAB part of the test suite as follows:

```
rtiostreamtest('tcp', 'localhost', '2345')
```

An output in the following format appears in the MATLAB window:

```
### Test suite for rtiostream ###
Initializing connection with target...

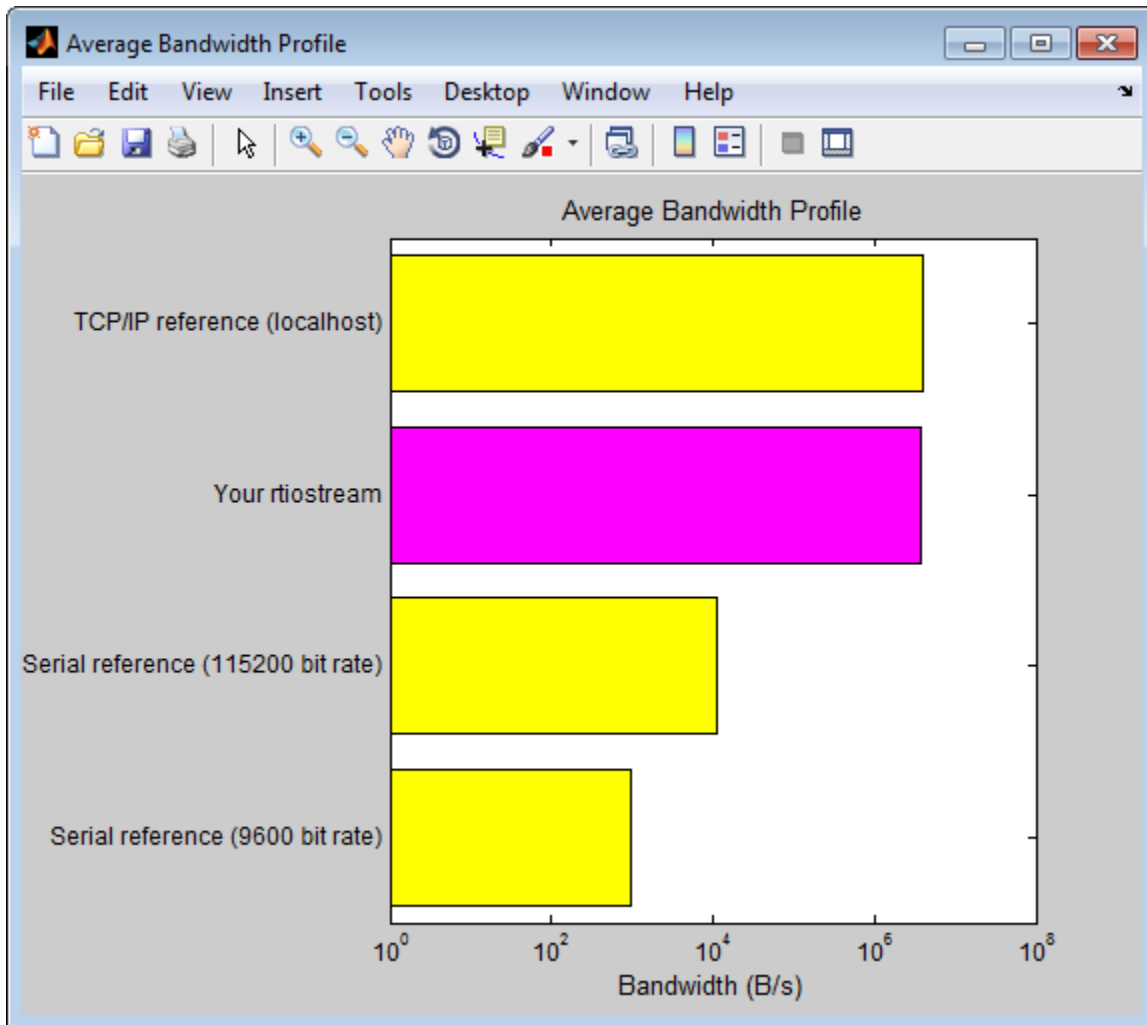
### Hardware characteristics discovered
Size of char      : 8 bit
Size of short     : 16 bit
Size of int       : 32 bit
Size of long      : 32 bit
Size of float     : 32 bit
Size of double    : 64 bit
Size of pointer   : 64 bit
Byte ordering     : Little Endian

### rtiostream characteristics discovered
Round trip time  : 0.96689 ms
rtIOStreamRecv  behavior : non-blocking

### Test results
Test 1 (fixed size data exchange): ..... PASS
Test 2 (varying size data exchange): ..... PASS

### Test suite for rtiostream finished successfully ###
Furthermore, the following profile appears.
```





### See Also

`rtiostream_wrapper` | `rtIOStreamClose` | `rtIOStreamOpen` | `rtIOStreamRecv` | `rtIOStreamSend` | `rtw.connectivity.RtIOStreamHostCommunicator`

## **Related Examples**

- “Create PIL Target Connectivity Configuration” on page 36-38

## Specify Hardware Timer

For processor-in-the-loop (PIL) code execution profiling, you must create a timer object that provides details of the hardware-specific timer and associated source files. You can use the Code Replacement Tool or the code replacement library API to specify this hardware-specific timer.

To specify the timer with the Code Replacement Tool:

- 1 Open the Code Replacement Tool. In the Command Window, enter `crtool`.
- 2 Create a new code replacement table. Select **File > New table**.
- 3 Create a new function entry. Under **Tables List**, right-click the new table. Then, from the context-menu, select **New entry > Function**.
- 4 In the middle view, select the new unnamed function.
- 5 On the **Mapping Information** pane:
  - a From the **Function** drop-down list, select `code_profile_read_timer`.
  - b Specify the count direction for your timer. For example, from the **Count direction** drop-down list, select **Up**.
  - c In the **Ticks per second** field, specify the number of ticks per second for your timer, for example, `1e+09`.

The default value is 0. In this case, the software reports time measurements in terms of ticks, not seconds.

- d In the **Name** field, specify a replacement function name, for example, `MyTimer`.
- e Click **Apply**.

**f** To validate the function entry, click **Validate entry**.

- 6** On the **Build Information** pane, specify the required build information. See “Specify Build Information for Replacement Code” on page 24-59.
- 7** Save the table (**Ctrl+S**). When you save the table for the first time, use the Save As dialog box to specify the file name and location.

You must save the table in a location that is on the MATLAB search path. For example, you can save this file in the folder for your subclass of `rtw.connectivity.Config`.

The software stores your timer information as a code replacement library table.

- 8** Assuming you save the table as `MyCr1Table.m`, in your subclass of `rtw.connectivity.Config`, add the following line:

```
setTimer(this, MyCr1Table)
```

## **Related Examples**

- “Create a Target Connectivity API Implementation” on page 36-39
- “Configure Code Execution Profiling for SIL and PIL” on page 28-4
- “Specify Build Information for Replacement Code” on page 24-59

## **More About**

- “What Is Code Replacement?” on page 20-2
- “What Is Code Replacement Customization?” on page 24-3

## PIL Simulation Sequence

A processor-in-the-loop (PIL) simulation cross-compiles production source code, and then downloads and runs object code on your target hardware. The connectivity configuration that you create controls the way code is compiled and executed on the target. This table describes the sequence of stages in a PIL simulation.

Stage		Description
1	Start	<p>For top-model PIL, on the Simulink Editor toolbar, you select the <b>Processor-in-the-Loop (PIL)</b> mode, and then click the Run button.</p> <p>For Model block PIL, you set the <b>Simulation mode</b> parameter of the Model block to <b>Processor-in-the-loop (PIL)</b>, and then run a simulation of the harness model that contains the Model block.</p> <p>For the PIL block, you run a simulation of the harness model that contains the PIL block.</p>
2	Validate target connectivity	The software verifies that a target connectivity configuration is registered for PIL. Otherwise, the software produces an error.
3	Generate production source code and build object code for target	<p>The generated source code is identical to the code that is produced when you run the <code>slbuild</code> command.</p> <ul style="list-style-type: none"> <li>• For top-model PIL or Model block PIL with block parameter <b>Code interface</b> set to <code>Top model</code>, the generated code is identical to the code produced when you run <code>slbuild('model')</code>.</li> <li>• For Model block PIL with block parameter <b>Code interface</b> set to <code>Model reference</code>, the generated code is identical to the code produced when you run <code>slbuild('model', 'ModelReferenceRTWTarget')</code>. The model reference simulation target is also produced.</li> </ul> <p>The software builds object code for the target by using the template makefile or toolchain that you specify.</p>
4	Create instances of PIL API components	The software instantiates your <code>rtw.connectivity.Config</code> class, which creates

Stage		Description
		instances of <code>rtw.connectivity.MakefileBuilder</code> , <code>rtw.connectivity.Launcher</code> , <code>rtw.pil.RtIOStreamApplicationFramework</code> , and <code>rtw.connectivity.RtIOStreamHostCommunicator</code> .
5	Generate PIL files	The generated PIL files are in the <code>pil</code> folder. At the end of the simulation, use the code generation report to view the files.
6	Build target application	<p>The software:</p> <ul style="list-style-type: none"> <li>• Uses your instance of <code>rtw.connectivity.MakefileBuilder</code> to build the target application.</li> <li>• Compiles the PIL interface file, <code>xil_interface.c</code>, and other PIL files into the target executable file. On a Windows system, for example, this file is called <code>modelName.exe</code>. The object code, including the executable file, is in the <code>pil</code> folder.</li> <li>• If configured, produces the code generation report.</li> </ul>
7	Start target application	The software uses <code>rtw.connectivity.Launcher</code> to start the application on the target.
8	Simulink engine interacts with PIL S-function	<p>The Simulink engine interacts with the PIL S-function in the same way that it interacts with a C S-function.</p> <p>From the host-side, the PIL S-function communicates with the target executable code through <code>rtIOStream</code> commands. On the target side, <code>xil_interface</code> executes generated code.</p>
9	Stop target application	The software uses <code>rtw.connectivity.Launcher</code> to stop the application on the target.

Stage		Description
10	End PIL simulation	<p>For top-model PIL, at the end of the simulation, the software destroys the <code>rtw.connectivity.Config</code> instance.</p> <p>For <code>Model</code> block PIL and PIL block, the block creates and owns the <code>rtw.connectivity.Config</code> instance, which is not destroyed at the end of the simulation. You can rerun the simulation, which now does not require the creation of another <code>rtw.connectivity.Config</code> instance. If you want to destroy the instance, close the parent model.</p>

### See Also

[rtw.connectivity.Config](#) | [rtw.connectivity.Launcher](#) |  
[rtw.connectivity.MakefileBuilder](#) |  
[rtw.connectivity.RtIOStreamHostCommunicator](#) |  
[rtw.pil.RtIOStreamApplicationFramework](#)

### Related Examples

- “Create PIL Target Connectivity Configuration” on page 36-38
- “View SIL and PIL Files in Code Generation Report” on page 36-56

### More About

- “About SIL and PIL Simulations” on page 36-3
- “Simulink Engine Interaction with C S-Functions”



## Verification of Code Generation Assumptions

The settings on the **Configuration Parameters > Hardware Implementation** pane specify target behavior, which result in the implementation of implicit assumptions in the generated code. Incorrect settings can lead to:

- Suboptimal code
- Code execution failure, incorrect code output, and nondeterministic code behavior

At the start of a processor-in-the-loop (PIL) simulation, the software verifies the **Hardware Implementation** pane settings with reference to the target hardware. The software checks:

- The correctness of settings. For example, the integer bit length in the **Number of bits: int** field.
- Whether the settings are optimized. For example, the rounding of signed integer division in the **Signed integer division rounds to** field.

If required, the software generates warnings and errors.

### See Also

“Hardware Implementation Pane”

### More About

- “About SIL and PIL Simulations” on page 36-3

## View SIL and PIL Files in Code Generation Report

With top-model and Model block SIL and PIL simulations, you can produce a code generation report and static code metrics that cover SIL and PIL files. The information helps you to:

- Understand and review the SIL and PIL verification process.
- See how your registered custom target connectivity files fit into the target application that runs during a SIL or PIL simulation.

This feature is not supported for simulations that you run with the PIL block.

To configure the creation of a code generation report and static code metrics, on the **Configuration Parameters > Code Generation > Report** pane, select the **Create code generation report**, **Open report automatically**, and **Static code metrics** check boxes. Then click **OK**.

At the end of the simulation, in the Code Generation Report window:

- To review code metrics, in the **Contents** view, click **Static Code Metrics Report**.
- To review SIL and PIL files, in the **Generated Code** view, expand the **SIL/PIL files** node. For example:
  - To review the S-function that runs on the host, click `modelName_sbs.c` or `modelName_pbs.c`.
  - To view the SIL or PIL interface that runs on the target, click `xil_interface.c`.

o

The screenshot shows the 'Code Generation Report' window. On the left, there is a 'Contents' pane with links to 'Summary', 'Subsystem Report', 'Code Interface Report', 'Traceability Report', 'Static Code Metrics Report' (highlighted), and 'Code Replacements Report'. Below that is a 'Generated Code' section with a tree view showing 'Main file' (ert\_main.c), 'Model files' (rtwdemo\_sil\_topmodel.c, rtwdemo\_sil\_topmodel.h), 'Shared files (1)', and 'SIL/PIL files' (codeinstr\_data\_stream.c, codeinstr\_data\_stream.h, codeinstrservice.h, coder\_assumptions.h, coder\_assumptions\_app.c, coder\_assumptions\_app.h, coder\_assumptions\_hwimpl.c, coder\_assumptions\_hwimpl.h, coderassumptionsapp.h, comms\_interface.h).

The main area displays a table of function metrics:

Function Name	Accumulated Stack Size (bytes)	Self Stack Size (bytes)	Lines of Code	Lines	Complexity
fid	2	6	6		
xilWriteDataAvail	2	6	4		
pwsEnabled	1	4	3		
enableA	1	2	1		
enableB	1	2	1		
<b>Total</b>	<b>102,483</b>	<b>304</b>			

\* The global variable is not directly used in any function.

**3. Function Information** [hide]

View function metrics in a call tree format or table format. Accumulated stack numbers include the estimated stack size of the function plus the maximum of the accumulated stack size of the subroutines that the function calls.

View: Call Tree | Table

Function Name	Accumulated Stack Size (bytes)	Self Stack Size (bytes)	Lines of Code	Lines	Complexity
[ - ] .main	1,556	12	22	32	6
[ + ] xilInit	1,544	0	20	33	6
[ + ] xilTerminateComms	532	0	9	18	1
[ + ] xilRun	446	8	14	20	3
[ - ] xilCommandDispatchAndResponse	447	1	20	34	4
[ + ] xilRun	446	8	14	20	3
[ + ] _processTargetToHostData	407	4	22	36	8
[ + ] finalizeCommandResponse	404	1	19	30	6
saveProcessMsgContext	0	0	5	9	1
restoreProcessMsgContext	0	0	4	6	1
[ + ] targetPrintf	417	14	32	54	3
[ + ] targetPrintf	415	12	29	41	3
[ + ] targetFopen	406	3	23	44	2

**Note:** You must not use the SIL or PIL files in code development as these files can change over releases. Use supplied APIs for code development.

## Related Examples

- “Static Code Metrics” on page 19-38

## More About

- “HTML Code Generation Report Extensions” on page 19-3

## SIL and PIL Scheduling

<b>In this section...</b>
“Algebraic Loops in SIL and PIL Simulations” on page 36-58
“Exported Functions in Feedback Loops” on page 36-58

### Algebraic Loops in SIL and PIL Simulations

There are algebraic loops that occur in SIL and PIL simulations but not in normal mode simulations:

- The use of **Single output/update function** in code generation optimization can introduce algebraic loops because the option introduces direct feedthrough via a combined output and update function.

**Single output/update function** is not compatible with **Minimize algebraic loop occurrences** (in the Subsystem Parameters dialog box and **Configuration Parameters > Model Referencing** pane). **Minimize algebraic loop occurrences** allows code generation to remove algebraic loops by partitioning generated code between output and update functions to avoid direct feedthrough.

- If you generate code for a virtual subsystem, code generation treats the subsystem as atomic and generates the code accordingly. The resulting code can change the execution behavior of your model, for example, by applying algebraic loops, and introduce inconsistencies to the simulation behavior.

To enable consistent simulation and execution behavior for your model, declare virtual subsystems as atomic subsystems. For more information, see “Code Generation of Subsystems”.

### Exported Functions in Feedback Loops

If your model has function-call subsystems and you export a subsystem that has context-dependent inputs (for example, feedback signals), the results of a SIL/PIL simulation with the generated code might not match the results of the normal mode simulation of your model. One approach to make SIL/PIL and normal mode simulations yield identical results is to use Function-Call Feedback Latch blocks in your model. You can make context-dependent inputs become context-independent.

Embedded Coder generates a warning identifying context-dependent inputs of exported function-call subsystems if you set **Configuration Parameters > Diagnostics > Connectivity > Context-dependent inputs** to one of the following:

- Enable all as warnings
- Use local settings
- Disable all

### **More About**

- “Algebraic Loops”
- “Algebraic Loops”
- “Code Generation of Subsystems”
- Function-Call Feedback Latch
- “Context-dependent inputs”

## Imported Data and Function Definitions

In this section...
“Imported Data for SIL and PIL” on page 36-60
“SIL and PIL Support for GetSet Custom Storage Class” on page 36-60
“AUTOSAR Runtime Environment” on page 36-60

### Imported Data for SIL and PIL

In SIL and PIL simulations, you can use signals, parameters, and data stores that specify storage classes with imported data definitions. The simulations define storage for imported data associated with:

- Signals at the root level of the component (on the I/O boundary)
- Parameters
- Global data stores

SIL and PIL simulations do not define storage for other imported data. For example, the simulations do not define storage for imported data associated with:

- Internal signals (not on the I/O boundary)
- Local data stores

In these cases, define the storage through custom code included by the component under test or through the PIL `rtw.pil.RtIOStreamApplicationFramework` API.

### SIL and PIL Support for GetSet Custom Storage Class

SIL and PIL simulations support the `GetSet` custom storage class. The SIL/PIL test harness provides C definitions of the `Get` and `Set` functions that are used during simulations. For `GetSet`, the simulations support scalar and vector signals, parameters, and global data stores.

### AUTOSAR Runtime Environment

You can use top-model and `Model` block SIL/PIL and SIL/PIL block simulations to perform model-based testing of an AUTOSAR software component. The generated

code for the AUTOSAR software component is linked with a basic component-specific AUTOSAR Runtime Environment (RTE) to create a test application. This application tests AUTOSAR API calls made by the AUTOSAR software component.

---

**Note:** For `Model` block SIL/PIL, to test the AUTOSAR interface, set the **Code interface** block parameter to `Top_model`.

---

### Related Examples

- “Access Data Through Functions with Custom Storage Class `GetSet`” on page 10-58
- “Verify AUTOSAR C Code with SIL and PIL”

### More About

- “Tunable Parameters and SIL/PIL” on page 36-64

## SIL and PIL Limitations

In this section...
“About SIL and PIL Limitations” on page 36-63
“General SIL and PIL Limitations” on page 36-64
“Top-Model SIL/PIL Limitations” on page 36-70
“Model Block SIL/PIL Limitations” on page 36-73
“SIL/PIL Block Limitations” on page 36-74



## About SIL and PIL Limitations

With Embedded Coder, you can run software-in-the-loop (SIL) and processor-in-the-loop (PIL) simulations in three ways:

- **Top-model SIL/PIL** — Set the top-model simulation mode to **Software-in-the-Loop (SIL)** or **Processor-in-the-Loop (PIL)**.
- **Model block SIL/PIL** — Set the Model block parameter **Simulation mode** to **Software-in-the-loop (SIL)** or **Processor-in-the-loop (PIL)**.
- **SIL/PIL block** — Use SIL or PIL blocks in the model.

The following sections describe modeling and code generation features that are either unsupported or partially supported by SIL and PIL simulations.

## General SIL and PIL Limitations

### Tunable Parameters and SIL/PIL

For `Model` block SIL/PIL and SIL/PIL block simulations, you can tune tunable *workspace* parameters but not tunable *dialog box* parameters. For information about tuning parameters, see “Global Parameters” and “Model Arguments”.

For a top model with tunable parameters, you can run a SIL/PIL simulation but you cannot tune the parameters during the simulation.

The software cannot define, initialize, or tune the following types of tunable workspace parameters.

Parameter description	Software response		
	Top-Model SIL/PIL	Model Block SIL/PIL	SIL/PIL Block
Parameters with storage class that applies "static" scope or "const" keyword. For example, <code>Custom</code> , <code>Const</code> , or <code>ConstVolatile</code>	Warning	Warning	Warning
Parameters with multiword, fixed-point data types	Warning	Error	Warning
Parameters with data types that have different sizes on host and target	Warning	Error	Warning

For C++ class code, SIL/PIL you can tune tunable workspace parameters when **Parameter visibility** is `public`. If **Parameter visibility** is `private` or `protected`, tuning is supported only if **Parameter access** is `Method` or `Inlined method`.

For top-model SIL/PIL and the SIL/PIL block, consider the case where all of the following conditions apply:

- **Code Generation > Interface > Code interface packaging** is `Reusable function`.
- **All Parameters > Use dynamic memory allocation for model initialization** is not selected.

- **Optimization > Signals and Parameters > Default parameter behavior is Tunable.**
- The model contains parameters with storage class `Auto` or `SimulinkGlobal`.

If the SIL/PIL component cannot dynamically initialize tunable parameters in the `rtP` model parameter structure, you see an error message like the following:

```
Parameter Dialog:InitialOutput in 'rtwdemo_sil_topmodel/CounterTypeA/count'
is part of the imported "rtP" structure in the generated code but cannot be
initialized by SIL or PIL. To avoid this error, make sure the parameter
corresponds to a tunable base workspace variable with a storage class such
as SimulinkGlobal and is supported for dynamic parameter initialization /
tuning with SIL/PIL. Alternatively, select Configuration Parameters >
Code Generation > Interface and set 'Code interface packaging' to
'Nonreusable function', or select 'Use dynamic memory allocation for model
initialization'.
```

If you select **All Parameters > Use dynamic memory allocation for model initialization**, this limitation does not apply.

For `Model` block SIL/PIL, if you specify the code under test to be `Top model`, you can tune parameters while a simulation runs. If you tune parameters between successive runs of the simulation, the software generates new code for the later run. The new code uses your latest settings as initial parameter values.

### Global and Local Data Stores

SIL/PIL supports global data stores. For components that are not export-function models, top-model SIL/PIL and SIL/PIL block simulations that access global data stores must be single rate. Otherwise, the software produces an error.

SIL/PIL does not support local data stores.

### SIL/PIL Does Not Check Simulink Coder Error Status

SIL/PIL does not check the Simulink Coder error status of the generated code under test. This error status flags exceptional conditions during execution of the generated code.

Blocks in the model can also set the Simulink Coder error status, for example, custom blocks that you create. SIL/PIL does not check this error status and report errors.

### Missing Code Interface Description File Errors

SIL/PIL requires a code interface description file, which is created during code generation for the component under test. If the code interface description file is missing, the SIL/PIL

simulation cannot proceed. You see an error reporting that the file does not exist. If you select the unsupported option **Classic call interface**, this error can occur. Therefore, do not select the option.

### **To Workspace Block**

If you enable MAT-file logging, top-model SIL/PIL and SIL/PIL blocks support To Workspace blocks.

Model block SIL/PIL does not support To Workspace blocks.

### **Cannot Connect SIL/PIL Outputs to Merge Block**

If you connect Model block SIL/PIL or SIL/PIL block outputs to a Merge block, you see an error because S-function memory is not reusable.

### **Variant Condition Propagation with Variant Source and Variant Sink Blocks**

Top-model SIL/PIL and SIL/PIL block simulations do not support the propagation of variant conditions across component boundaries.

### **Unsupported Blocks**

SIL/PIL does not support the following blocks:

- Scope blocks, and all types of run-time display. For example, display of port values and signal values.
- Stop blocks. SIL/PIL ignores the Stop Simulation block and continues simulating.

### **Multiword Fixed-Point I/O**

You cannot run SIL and PIL simulations of models that have multiword, fixed-point signals across component boundaries.

### **Fixed-Point Data Types Wider Than 32 Bits**

SIL/PIL supports fixed-point data types that are wider than 32 bits. For example:

- 64-bit long and long long
- 64-bit execution profiling timer data type
- int64 and uint64 in MATLAB Coder SIL execution.

The following constraints apply:

- For 64-bit data type support, the data type must be representable as `long` or `long long` on the MATLAB host *and* the target. Otherwise, the software uses the multiword, fixed-point approach, which SIL/PIL does not support.
- The software does not support the 40-bit `long` data type of the TI's C6000™ target.

Through the **Configuration > Hardware Implementation** pane, you can enable support for the 64-bit `long long` data type. For data types with widths between 33 and 40 bits (inclusive), the software implements the data types using the 40-bit `long` data type, which SIL/PIL does not support.

### Data Type Replacement

The software does not support replacement data type names that you define for the built-in data type `boolean` if these names map to the `int` or `uint` built-in data type.

### Continuous Sample Times

Top-model SIL/PIL and SIL/PIL block do not support continuous sample times at the SIL or PIL component boundary. However, they support continuous sample times within the component.

Model block SIL/PIL does not support continuous sample times.

### Variable-Size Signals

Model block SIL/PIL simulations support variable-size signals only if **All Parameters > Propagate sizes of variable-size signals** is `During execution`.

Top-model SIL/PIL and SIL/PIL block simulations treat variable-size signals at the I/O boundary of the SIL/PIL component as fixed-size signals, which can lead to errors during propagation of signal sizes. To avoid such errors, use only fixed-size signals at the I/O boundary of the SIL/PIL component.

There can be cases where no error occurs during propagation of signal sizes. In these cases, the software treats variable-size input signals as zero-size signals.

### Internal Signal Logging

SIL/PIL blocks do not support signal logging. For a workaround, see “Verify Internal Signals of a Component” on page 36-21.

The following internal signal logging limitations apply to top-model and Model block SIL/PIL simulations.

Limitation	Applies To	
	Top-Model SIL/PIL	Model Block SIL/PIL
Only signals that are included in the C API are logged during SIL/PIL simulation. To observe the signals in the generated code, you can configure the signals as test points. For each signal, select the <b>Signal Properties &gt; Test point</b> check box.	Yes	Yes
Signals feeding merge blocks are not supported for logging in normal simulation but are logged in SIL/PIL mode. The logged values during SIL/PIL are the same as the logged values for the output of the merge block.	Yes	No
Top-model normal simulation logs data at a periodic rate but top-model SIL/PIL simulation logs data at a constant rate under these circumstances: <ul style="list-style-type: none"> <li>• <b>Default parameter behavior</b> is Tunable.</li> <li>• A constant sample time signal from a Model block is logged in the top model.</li> <li>• The logged signal is not directly connected to a root-level output port.</li> </ul> To avoid this behavior and log at the constant rate in all simulation modes, set <b>Default parameter behavior</b> to <b>Inlined</b> .	Yes	No
Features not supported: <ul style="list-style-type: none"> <li>• Signal logging in models referenced by the SIL/PIL component.</li> <li>• Virtual signals, for example, mux.</li> <li>• Buses.</li> <li>• Custom storage classes.</li> <li>• Continuous, asynchronous, and triggered sample times.</li> <li>• Logging of Stateflow states and local data.</li> </ul>	Yes	Yes

Limitation	Applies To	
	Top-Model SIL/PIL	Model Block SIL/PIL
• Units.		
Variable-size, function-call, and Action signals are not supported. A normal simulation produces an error. A SIL/PIL simulation produces a warning.	Yes	No
State port signals are not supported. A normal simulation produces an error. A SIL/PIL simulation does not produce a warning.	Yes	No
Signal logging is not supported when variant conditions are specified within the Model block or propagated across its boundary.	No	Yes

### Unsupported Implementation Errors

If you use a data store, signal, or parameter implementation that SIL/PIL does not support, you can see errors like the following:

The following *data interfaces* have implementations that are not supported by SIL or PIL.

*data interfaces* can be global data stores, inports, outports, or parameters.

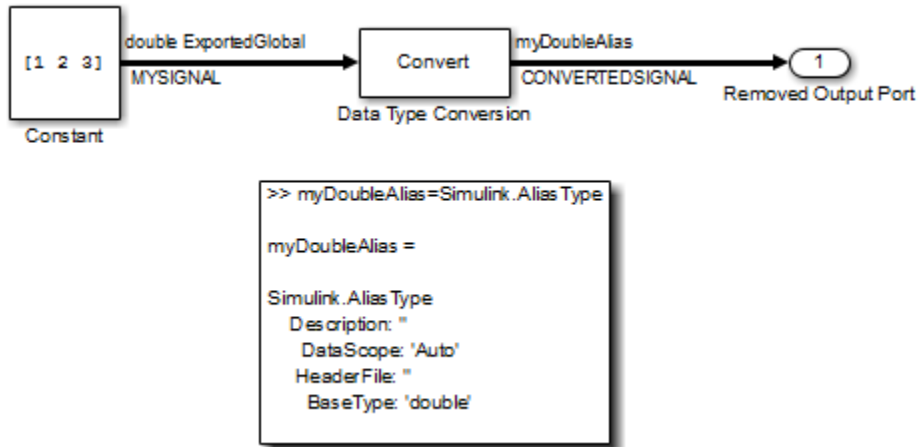
The model output port has been optimized through virtual output port optimization. See “Virtualized Output Ports Optimization” on page 30-14. The error occurs because the properties (for example, data type, dimensions) of the signal or signals entering the virtual root output port have been modified by routing the signals in one of the following ways:

- Through a Mux block.
- Through a block that changes the signal data type. To check the consistency of data types in the model, display Port Data Types by selecting **Display > Signals & Ports > Port Data Types**.
- Through a block that changes the signal dimensions. To check the consistency of data types in the model, display dimensions by selecting **Display > Signal & Ports > Signal Dimensions**.

Dimension changes from scalar (1) to matrix [1x1], and, matrix [1x1] to scalar (1), can lead to this error. It is difficult to inspect the model for such changes because **Display > Signal & Ports > Signal Dimensions** does not distinguish between

(1) and [1x1] dimensions. Both signals are displayed as scalar signals. Check your model and workspace objects carefully. Make sure that you specify scalar dimensions consistently.

The following model causes this error by changing the output port signal data type.



### Hardware Implementation

PIL does not support multiword data types where the word order differs from the target byte order. The PIL simulation fails, displaying undefined behavior.

PIL requires that you configure the correct **Hardware Implementation** settings for the target environment, including byte ordering for targets. If you do not specify the correct byte ordering, the PIL simulation fails, displaying undefined behavior.

### Non-ASCII Characters in Folder Name

If the name of the current working folder contains non-ASCII characters, you cannot run a SIL simulation.

### Top-Model SIL/PIL Limitations

#### Top-Model Root-Level Logging

Top-model SIL/PIL supports signal logging for signals connected to root-level inports and outports. The C API is not required. Root-level logging has the following limitations:



- The characteristics of the logged data such as data type, sample time, and dimensions must match the characteristics of the root-level inports and outports (rather than the characteristics of the connected signal).

In some cases, there can be differences in data type and dimensions between the signal being logged and the root inport or outport that the signal is connected to. Consider the following examples.

- If a signal being logged has matrix dimensions [ 1x5 ] but the outport connected to the signal has vector dimensions (5), then the data logged during a SIL or PIL simulation has vector dimensions (5).
- If a signal being logged has scalar dimensions but the outport connected to the signal has matrix dimensions [ 1x1 ], then the data logged during a SIL or PIL simulation has matrix dimensions [ 1x1 ].
- Signals connected to duplicated inports are not logged during SIL/PIL simulation. No warning is issued.

During normal simulation, signals connected directly to duplicated inports are logged.

- The Signal Logging Selector / `DataLoggingOverride` override mechanism is not supported.
- Normal and SIL/PIL simulations log bus signals with names that are different when all of the following conditions apply:
  - The `SaveOutput` or `SignalLogging` configuration parameter is on.
  - The names of the elements in the bus signal are different from the corresponding names in the bus object.
- The software inserts the suffix, `_wrapper` for *output logging*, if the save format is `Structure`, `Structure with time`, or `Dataset` and you run the `sim` command without specifying the single-output format. The software adds `_wrapper` to the block name for signals in `yout`. If the save format is `Array`, the software does not add the suffix. For example:

```
>> yout.signals

ans =
    values: [11x1 double]
 dimensions: 1
    label: 'SignalLogging'
 blockName: 'sillogging_wrapper/OutputLogging'
```

To avoid this behavior, run command-line simulations with the `sim` command specifying the single-output format. See “Run Simulation Using the `sim` Command”.

### **Mux and Demux Blocks**

Top-model SIL/PIL does not support `Mux` and `Demux` blocks at the component boundary, for example, `Mux` and `Demux` blocks connected to root-level `Inport` or `Outport` blocks.

### **Model in Compiled State During Top-Model SIL/PIL**

During a top-model SIL/PIL simulation, the software places the model in a compiled state – see `model`. This action can result in a conflict over global resources between the model and the generated SIL/PIL code. In this case, you might see differences between normal mode and SIL/PIL simulation outputs.

For example, you might observe this limitation with a model that uses `UDP` blocks from the DSP System Toolbox. These blocks open `UDP` sockets, which can lead to resource contention between the model and the generated SIL/PIL code.

### **Callback Support**

SIL/PIL does not support the callbacks (model or block) `StartFcn` and `StopFcn`.

---

**Note:** Top-model SIL/PIL supports the callback `InitFcn`.

---

### **Incremental Build**

When you start a top-model SIL/PIL simulation, the software regenerates code if it detects changes to your model. The software detects changes by using a checksum for the model. The software does not detect changes that you make to:

- The `HeaderFile` property of a `Simulink.AliasType` object
- Legacy S-functions

If you make these changes, build (**Ctrl-B**) your model again before starting the next PIL simulation.

## Model Block SIL/PIL Limitations

### Top-Model Code Testing

The following limitations apply:

- The **Model Variants** block does not support the block parameter **CodeInterface**. The software behaves as if **CodeInterface** is set to 'Model reference'. To work around this limitation, use the **Variant Subsystem** block. Through this block, you can incorporate **Model** blocks for which **CodeInterface** is set to 'Top model'.
- Because model arguments do not apply to a top model, when the **Code interface** block parameter is set to **Top model**, the software does not support the **Model arguments** block parameter.
- Conditional execution does not apply to a top model. If a **Model** block is set up to execute conditionally and the **Code interface** block parameter is set to 'Top model', the software produces an error when you run a SIL or PIL simulation.
- For sample time independent models, you must set **Configuration Parameters > Solver > Periodic sample time constraint** to **Ensure sample time independent**.
- Simulation results from top-model code and model reference code can differ when a root-level **Inport** is connected to a root-level **Outputport** by a signal that has a signal object with an initial value.

For top-model code, the software associates the signal object with the **Inport**. The software might apply the initial value for the signal object to the **Inport**. See “Initialization Behavior Summary for Signal Objects”.

For model reference code, the software associates the signal object with the **Outputport**. The software does not apply the initial value for the signal object to the **Inport**.

### Conditionally Executed Subsystem

You see an error if:

- You place your **Model** block, in either SIL or PIL simulation mode, in a conditionally executed subsystem and the referenced model is multirate (that is, has multiple sample times). Single-rate, referenced models (with only a single sample time) are not affected.
- Your **Model** block, in either SIL or PIL simulation mode, has blocks that depend on absolute time **and** is conditionally executed.

### Outputs with Constant Sample Time

If the block parameter **Code interface** is `Top model`, Model block SIL/PIL supports outputs with constant sample time.

### Noninlined S-Functions

Model-block SIL/PIL simulations do not support noninlined S-functions.

## SIL/PIL Block Limitations

### Simulink Function Block

SIL/PIL blocks do not support Simulink Function blocks. Use the Model block SIL/PIL approach, with the **Code interface** block parameter set to `Top model`.

### PIL Block Mux

The PIL block supports mux signals, except mixed data-type mux signals that expand into individual signals during a right-click subsystem build.

### Code Coverage

SIL block simulations do not support the generation of code coverage results. PIL block support for code coverage depends on your target connectivity configuration and third-party product support.

### Subsystem with Inherited Sample Time Blocks

When you create a SIL/PIL block from a subsystem that has blocks with inherited sample times, the generated code and SIL/PIL wrapper acquire the sample time of the original parent model. If you use the SIL/PIL block in a context that does not allow explicit sample times, for example, within a triggered subsystem, you see an error.

Try one of these workarounds:

- Before you create the SIL/PIL block, in the parent model, set **Configuration Parameters > Solver > Periodic sample time constraint** to `Ensure sample time independent`.
- Using the subsystem, create a Model block that is independent of sample time. With this block, run Model block SIL/PIL simulations.

## Verify Numerical Equivalence with CGV

Before verifying numerical equivalence:

- Configure your model for SIL or PIL simulation.
- Use the `cgv.Config` class of the CGV API to verify the model configuration for SIL or PIL simulation.
- Configure your model for code generation. For more information, see “Configure Model for Code Generation Objectives Using Code Generation Advisor” on page 14-2.
- Save your model. If you modify a model without saving it, CGV might issue an error.

To verify numerical equivalence:

- Set up the tests for the first execution environment. For example, simulation.
- Use `run (cgv.CGV)` to run the tests for the first execution environment.
- Set up the tests for the second execution environment. For example, top-model PIL.
- Use `cgv.CGV.run` to run the tests for the second execution environment.
- Use `getOutputData (cgv.CGV)` to get the output data for each execution environment.
- Use `getSavedSignals (cgv.CGV)` to display the signal names in the output data. (optional)
- Build a list of signal names for input to other `cgv.CGV` methods. (optional)
- Use `createToleranceFile (cgv.CGV)` to create a file correlating tolerance information with output signal names. (optional)
- Use `compare (cgv.CGV)` to compare the output signals of the first and second execution environments for numerical equivalence.

### Related Examples

- “Configure a SIL or PIL Simulation” on page 36-11
- “Check the SIL or PIL Configuration” on page 36-14
- “Verify Numerical Equivalence Between Two Modes of Execution of a Model” on page 36-76

## Verify Numerical Equivalence Between Two Modes of Execution of a Model

### In this section...

“Configure the Model” on page 36-76

“Execute the Model” on page 36-77

“Compare All Output Signals” on page 36-78

“Compare Individual Output Signals” on page 36-80

“Plot Output Signals” on page 36-81

The following example describes configuring, executing, and comparing the results of the `rtwdemo_cgv` model in normal and software-in-the-loop (SIL) simulation modes.

### Configure the Model

The first task for verifying numerical equivalence is to check the configuration of your model.

- 1 Open the `rtwdemo_cgv` model.

```
cgvModel = 'rtwdemo_cgv';
load_system(cgvModel);
```

- 2 Save the model to a working directory.

```
save_system(cgvModel, fullfile(pwd, cgvModel));
close_system(cgvModel); % avoid original model shadowing saved model
```

- 3 Use the `cgv.Config` class to create a `cgv.Config` object. Specify parameters that check and modify configuration parameter values and save the model for top-model SIL mode of execution.

```
cgvCfg = cgv.Config('rtwdemo_cgv', 'connectivity', 'sil', 'SaveModel', 'on');
```

- 4 Use the `configModel` (`cgv.Config`) method to review your model configuration and to change the settings to configure your model for SIL. When `'connectivity'` is set to `'sil'`, the system target file is automatically set to `'ert.tlc'`. If you specified the parameter/value pair, (`'SaveModel', 'on'`) when you created the `cgvCfg` object, the `cgv.Config.configModel` method saves the model.

---

**Note:** CGV runs on models that are open. If you modify a model without saving it, CGV might issue an error.

---

```
cgvCfg.configModel(); % Evaluate, change, and save your model for SIL
```

- 5 Display a report of the changes that `cgv.Config.configModel` makes to the model.

```
cgvCfg.displayReport(); % In this example, this reports no changes
```

## Execute the Model

Use the CGV API to execute the model in two modes. The two modes in this example are normal mode simulation and SIL mode. In each execution of the model, the CGV object for each mode captures the output data and writes the data to a file.

- 1 If you have not already done so, follow the steps described in “Configure the Model” on page 36-76.
- 2 Create a `cgv.CGV` object that specifies the `rtwdemo_cgv` model in normal mode simulation.

```
cgvSim = cgv.CGV(cgvModel, 'connectivity', 'sim');
```

---

**Note:** When the top model is set to normal simulation mode, the CGV API sets referenced models in PIL mode to Accelerator mode.

---

- 3 Provide the input file to the `cgvSim` object.
- 4 Before execution of the model, specify the MATLAB files to execute or MAT-files to load. This step is optional.

```
cgvSim.addInputData(1, [cgvModel '_data']);
```

```
cgvSim.addPostLoadFiles({[cgvModel '_init.m']});
```

- 5 Specify a location where the object writes all output data and metadata files for execution. This step is optional.

```
cgvSim.setOutputDir('cgv_output');
```

- 6 Execute the model.

```
result1 = cgvSim.run();
```

```
*** handling PostLoad file rtwdemo_cgv_init.m
Start CGV execution of model rtwdemo_cgv, ComponentType topmodel, ...
  connectivity sim, InputData rtwdemo_cgv_data.mat
End CGV execution: status completed
```

- 7 Get the output data associated with the input data.

```
outputDataSim = cgvSim.getOutputData(1);
```

- 8 For the next mode of execution, SIL, repeat steps 2–7.

```
cgvSil = cgv.CGV( cgvModel, 'Connectivity', 'sil');
cgvSil.addInputData(1, [cgvModel '_data']);
cgvSil.addPostLoadFiles({[cgvModel '_init.m']});
cgvSil.setOutputDir('cgv_output');
result2 = cgvSil.run();
```

At the MATLAB command line, the result is:

```
*** handling PostLoad file rtwdemo_cgv_init.m
Start CGV execution of model rtwdemo_cgv, ComponentType topmodel, ...
  connectivity sil, InputData rtwdemo_cgv_data.mat

### Starting build procedure for model: rtwdemo_cgv
### Successful completion of build procedure for ...
  model: rtwdemo_cgv
### Preparing to start SIL simulation ...
### Starting SIL simulation for model: rtwdemo_cgv
### Stopping SIL simulation for model: rtwdemo_cgv
End CGV execution: status completed
```

## Compare All Output Signals

After setting up and running the test, compare the outputs by doing the following:

- 1 If you have not already done so, configure and test the model, as described in “Configure the Model” on page 36-76 and “Execute the Model” on page 36-77.
- 2 Test that the execution result of the model:

```
if ~result1 || ~result2
    error('Execution of model failed.');
```

```
end
```

- 3 Use the `getOutputData` (`cgv.CGV`) method to get the output data from the `cgv.CGV` objects.

```
simData = cgvSim.getOutputData(1);
silData = cgvSil.getOutputData(1);
```

- 4 Display a list of signals by name using the `getSavedSignals` (`cgv.CGV`) method.

```
cgvSim.getSavedSignals(simData);
```



At the MATLAB command line, the result is:

```
simData.hi0.Data(:,1)
simData.hi0.Data(:,2)
simData.Vector.Data(:,1)
simData.Vector.Data(:,2)
simData.Vector.Data(:,3)
simData.Vector.Data(:,4)
simData.BusOutputs.hi0.Data(:,1)
simData.BusOutputs.hi0.Data(:,2)
simData.BusOutputs.hi1.mid0.lo0.Data(1,1,:)
simData.BusOutputs.hi1.mid0.lo0.Data(1,2,:)
simData.BusOutputs.hi1.mid0.lo0.Data(2,1,:)
simData.BusOutputs.hi1.mid0.lo0.Data(2,2,:)
simData.BusOutputs.hi1.mid0.lo1.Data
simData.BusOutputs.hi1.mid0.lo2.Data
simData.BusOutputs.hi1.mid1.Data(:,1)
simData.BusOutputs.hi1.mid1.Data(:,2)
simData.ErrorsInjected.Data
```

- Using the list of signals, build a list of signals in a cell array of strings. The signal list can contain a number of signals.

```
signalList = {'simData.ErrorsInjected.Data'};
```

- Use the `createToleranceFile` (`cgv.CGV`) method to create a file, in this example, `'localtol'`, correlating tolerance information with output signal names.

```
toleranceList = {'absolute', 0.5}};
cgv.CGV.createToleranceFile('localtol', signalList, toleranceList);
```

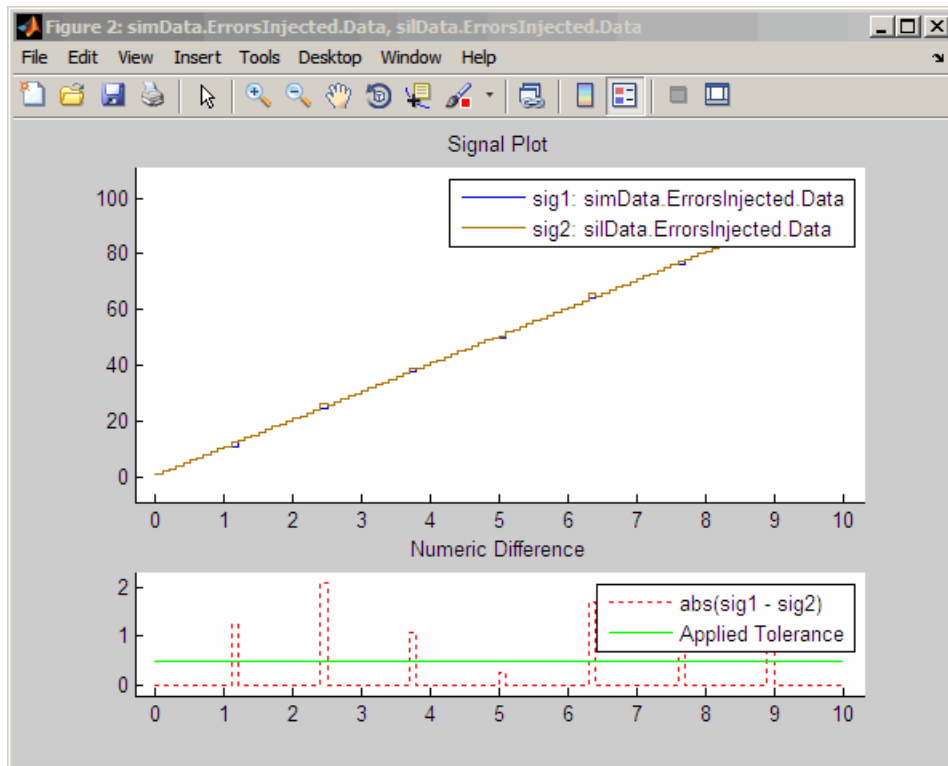
- Compare the output data signals. By default, the `compare` (`cgv.CGV`) method looks at all signals which have a common name between both executions. If a tolerance file is present, `cgv.CGV.compare` uses the associated tolerance for a specific signal during comparison; otherwise the tolerance is zero. In this example, the `'Plot'` parameter is set to `'mismatch'`. Therefore, only mismatched signals produce a plot.

```
[matchNames, ~, mismatchNames, ~] = ...
    cgv.CGV.compare(simData, silData, 'Plot', 'mismatch', ...
    'Tolerancefile', 'localtol');
fprintf( '%d Signals match, %d Signals mismatch\n', ...
    length(matchNames), length(mismatchNames));
disp('Mismatched Signal Names:');
disp(mismatchNames);
```

At the MATLAB command line, the result is:

```
14 Signals match, 1 Signals mismatch
Mismatched Signal Names:
    'simData.ErrorsInjected.Data'
```

A plot results from the mismatch on signal `simData.ErrorsInjected.Data`.



The lower plot displays the numeric difference between the results.

## Compare Individual Output Signals

After setting up and running the test, compare the outputs of individual signals by doing the following:

- 1 If you have not already done so, configure and test the model, as described in “Configure the Model” on page 36-76 and “Execute the Model” on page 36-77.
- 2 Use the `getOutputData (cgv.CGV)` method to get the output data from the `cgv.CGV` objects.

```
simData = cgvsim.getOutputData(1);
silData = cgvsil.getOutputData(1);
```

- 3 Use the `getSavedSignals` (`cgv.CGV`) method to display the output data signal names. Build a list of specific signal names in a cell array of strings. The signal list can contain number of signals.

```
cgv.CGV.getSavedSignals(simData);
signalList = {'simData.BusOutputs.hi1.mid0.lo1.Data', ...
'simData.BusOutputs.hi1.mid0.lo2.Data', 'simData.Vector.Data(:,3)'};
```

- 4 Use the specified signals as input to the `compare` (`cgv.CGV`) method to compare the signals from separate runs.

```
[matchNames, ~, mismatchNames, ~] = ...
    cgv.CGV.compare(simData, silData, 'Plot', 'mismatch', ...
    'signals', signalList);
fprintf( '%d Signals match, %d Signals mismatch\n', ...
    length(matchNames), length(mismatchNames));
if ~isempty(mismatchNames)
    disp( 'Mismatched Signal Names:');
    disp(mismatchNames);
end
```

At the MATLAB command line, the result is:

```
3 Signals match, 0 Signals mismatch
```

## Plot Output Signals

After setting up and running the test, use the `plot` (`cgv.CGV`) method to plot output signals.

- 1 If you have not already done so, configure and test the model, as described in “Configure the Model” on page 36-76 and “Execute the Model” on page 36-77.
- 2 Use the `getOutputData` (`cgv.CGV`) method to get the output data from the `cgv.CGV` objects.

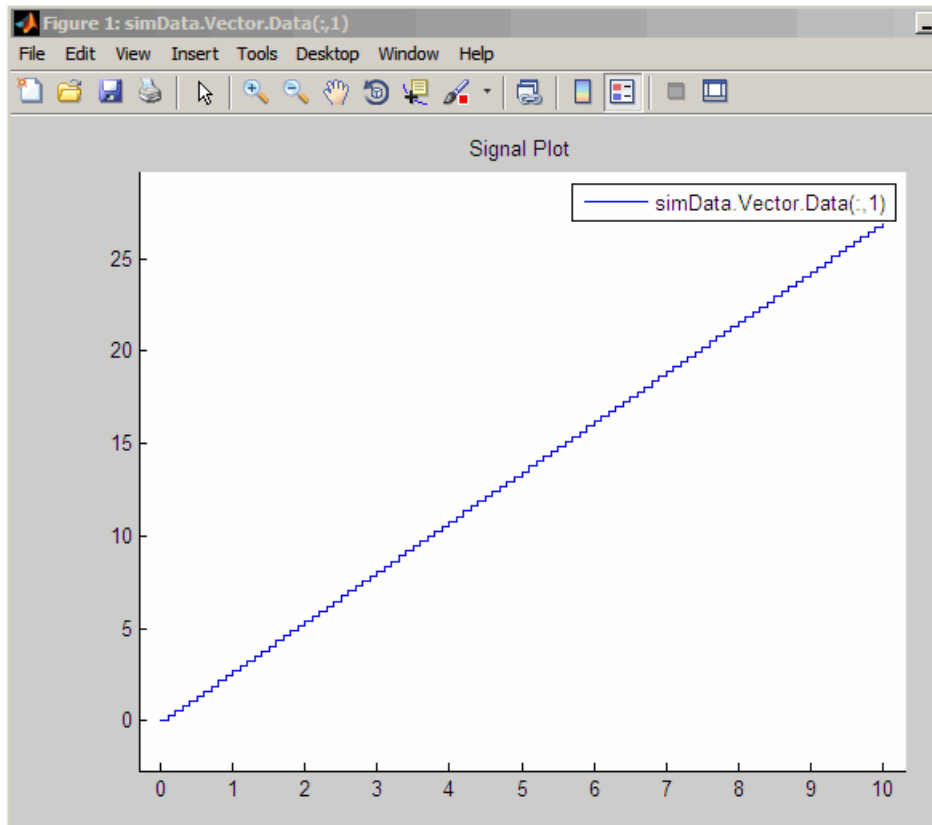
```
simData = cgvSim.getOutputData(1);
```

- 3 Use the `getSavedSignals` (`cgv.CGV`) method to display the output data signal names. Build a list of specific signal names in a cell array of strings. The signal list can contain number of signals.

```
cgv.CGV.getSavedSignals(simData);
signalList = {'simData.Vector.Data(:,1)'};
```

- 4 Use the specified signal list as input to the `plot` (`cgv.CGV`) method to compare the signals from separate runs.

```
[signalNames, signalFigures] = cgv.CGV.plot(simData, ...
    'Signals', signalList);
```



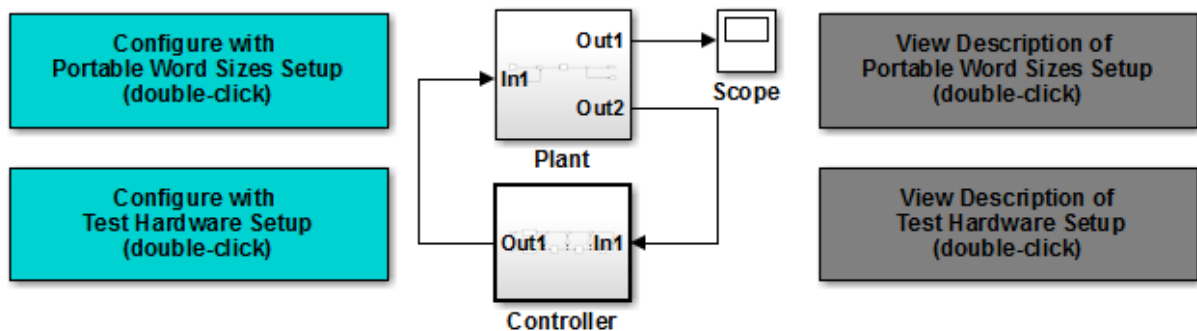
### Related Examples

- “Verify Numerical Equivalence with CGV” on page 36-75
- “Check the SIL or PIL Configuration” on page 36-14

## Configure Hardware Settings for Software-in-the-Loop (SIL) Simulation

This example shows how to configure a model to simulate target behavior with SIL when the target is different from the host computer.

```
open_system('rtwdemo_sil_hardware_config')
```



### Description

Embedded Coder provides several approaches for software-in-the-loop (SIL) code verification. One of these, for subsystem code verification, is the SIL block. When the target hardware is different from the simulation platform, you can configure the model to simulate the target behavior with SIL. Use one of the following methods:

- Select the "Enable portable word sizes" check box.
- Specify an appropriate setting for the "Test device vendor and type" parameter.

The above model is a closed-loop control system comprising a continuous-time plant and a discrete-time controller to be deployed on a generic 16-bit microcontroller.

The Controller subsystem employs fixed-point arithmetic. An overflow effect is intentionally added to help compare simulation results. To read more about each option, click the above grey buttons. Click the yellow buttons to view the configuration panels.

### Instructions

1. Click either of the blue buttons above to configure the model automatically.
2. Right-click the Controller subsystem and select C/C++ Code > Build This Subsystem.
3. In the dialog box, click "Build". The SIL block is created in an untitled model.  
This SIL block is an S-function wrapper for the generated subsystem code, and can be used to verify that the code provides the same result as the original subsystem.
4. Replace the original system with the S-function block and rerun the simulation to verify that the output is correct. Observe the overflow effect at around 10.8 seconds.

This example requires a Fixed-Point Designer license

Copyright 2004-2015 The MathWorks, Inc.

View Hardware  
Configuration  
(double-click)

View Verification  
Configuration  
(double-click)

# Numerical Consistency between Model and Generated Code

---

## Numerical Consistency of Model and Generated Code Simulation Results

### In this section...

“Numerical Consistency” on page 37-2

“Numerical Consistency in Complex Systems” on page 37-3

“Reasons for Block-Level Numerical Differences” on page 37-5

### Numerical Consistency

In the Model-Based Design workflow, you use MathWorks products to generate code for numerical applications that employ fixed-point and floating-point arithmetic.

- To develop models, you use MATLAB, Simulink, and Stateflow.
- To generate source code, you use Simulink Coder and Embedded Coder.
- To test numerical equivalence between your model and generated code, you compare model and generated code simulation results. For example, normal mode simulation results compared with software-in-the-loop (SIL) simulation results.

The results from the model and generated code simulations are numerically consistent if:

- In fixed-point applications, the results agree in a bit-wise comparison.
- In floating-point applications, the results agree with an error tolerance that you specify.

Use the Simulation Data Inspector to compare results. To determine whether discrepancies exist or are significant, you can specify absolute and relative tolerance values:

- For fixed-point applications, you can specify an absolute tolerance of zero.
- For floating-point applications, you can specify tolerance with respect to a reference value or signal. The choice of reference depends on your application. Consider these examples:
  - An algorithm that solves a linear algebraic equation by iterative, feed-forward error calculations. You can specify tolerance with respect to `eps`.



- A Proportional-Integral-Derivative (PID) controller for a closed-loop system. For transient behavior, you can specify tolerance with criteria from a standard. For steady-state behavior, you can specify tolerance with reference to the PID controller characteristics.

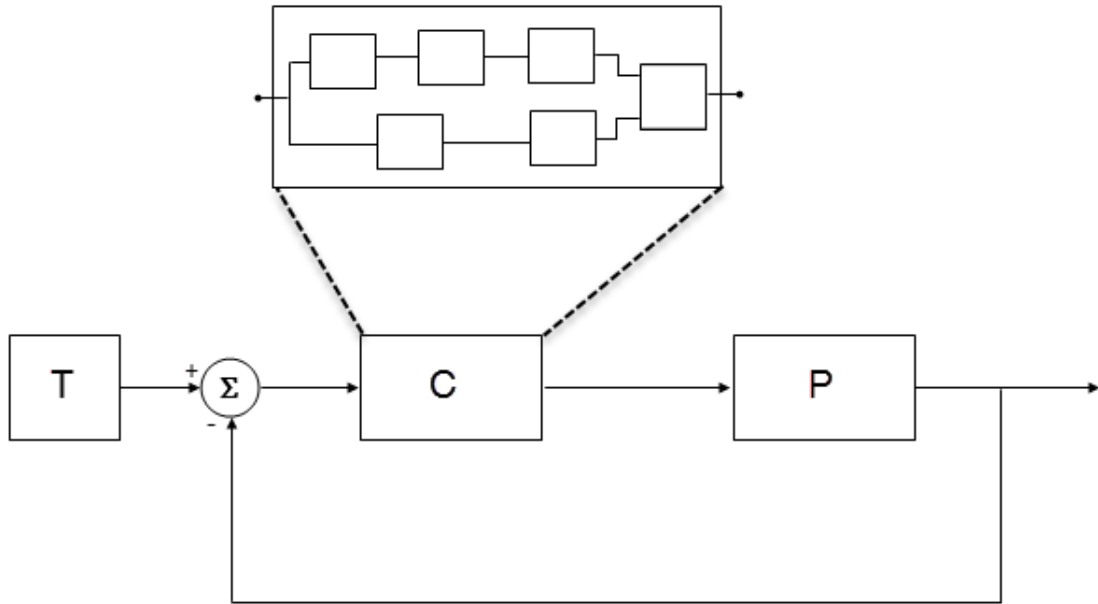
Programmatically, you can specify absolute and relative tolerance values through the `absTol` and `relTol` properties of the `Simulink.sdi.Signal` object.

## Numerical Consistency in Complex Systems

For complex systems, numerical differences between model and generated code simulations can be a result of block-level differences propagating through the system. If you observe numerical differences at the system level:

- 1 Identify blocks for which block-level numerical differences exceed the error tolerance.
- 2 Investigate each identified block.

Consider the following plant-controller model.



- T produces reference or test signals.
- C is the controller component. The controller output is the plant input. C can be a Model block that comprises multiple Model blocks.
- P is the plant component. The plant output is subtracted from the reference signal to produce the controller input.

To test numerical equivalence between the model controller and the generated code version:

- 1 Run the model in normal mode, and, using the Simulation Data Inspector, record the output of C.
- 2 Specify SIL mode for C. Rerun the simulation, recording the output of C.
- 3 Using the Simulation Data Inspector, compare normal and SIL mode outputs with reference to your specified error tolerance.

If the Simulation Data Inspector comparison indicates a match, the model and generated code results are numerically consistent.

If the normal and SIL mode outputs do not match:

- 1 Within C, enable signal logging for block outputs.
- 2 Run the model in normal mode.
- 3 Rerun the simulation with C in SIL mode.
- 4 Using the Simulation Data Inspector, compare the logged output signals with reference to your specified error tolerance. See “Compare Signal Data from Multiple Simulations”.
- 5 Identify blocks for which normal and SIL mode output differences exceed the error tolerance.
- 6 Analyze each identified block and look for the cause. For example, the generated code might use a different math library than MATLAB.

---

**Note:** If the comparison of a large number of signals is required, you can automate the workflow with Simulink Test™. See “Code Generation Verification Workflow with Simulink Test”.

---

## Reasons for Block-Level Numerical Differences

In fixed-point and floating-point application development, there are factors that can affect numerical agreement between block-level results from model and generated code simulations.

Some factors can affect both fixed-point and floating-point applications. For example, the use of:

- Code generation optimization.
- Custom code.
- Code replacement library entries whose results differ from MATLAB results.
- Code replacement libraries that implement different algorithms.

Other factors affect only floating-point applications. For example:

- Numerical soundness of algorithm.

- Algorithm sensitivity to input.
- Closed loop and open loop behavior.

## References

- [1] *IEEE Standard on Transitions, Pulses, and Related Waveforms*, IEEE Standard 181, 2003, pp. 15–17.

## See Also

eps

## Related Examples

- “Record Logged Simulation Data”
- “Compare Signal Data from Multiple Simulations”
- “Inspect and Compare Signal Data Programmatically”
- “Code Generation Verification Workflow with Simulink Test”
- “Configure Code Optimizations” on page 27-2

## More About

- “How the Simulation Data Inspector Compares Time Series Data”
- “Differences in Behavior After Compiling MATLAB Code”
- “Code Replacement”
- “Types of In-the-Loop Testing in the V-Model”
- MATLAB Function
- “SIL and PIL Limitations” on page 36-62

# Software-in-the-Loop Execution for MATLAB Coder

---

- “Code Verification Through Software-in-the-Loop and Processor-in-the-Loop Execution” on page 38-2
- “Software-in-the-Loop Execution with the MATLAB Coder App” on page 38-4
- “Software-in-the-Loop Execution From Command Line” on page 38-6
- “Debug SIL Execution” on page 38-9
- “Create PIL Target Connectivity Configuration” on page 38-12
- “Host-Target Communication for PIL” on page 38-16
- “Specify Hardware Timer” on page 38-21
- “Processor-in-the-Loop Execution with the MATLAB Coder App” on page 38-24
- “Processor-in-the-Loop Execution From Command Line” on page 38-26
- “Verification of Code Generation Assumptions” on page 38-32
- “SIL/PIL Execution Support and Limitations” on page 38-33

## Code Verification Through Software-in-the-Loop and Processor-in-the-Loop Execution

MATLAB Coder supports software-in-the-loop (SIL) and processor-in-the-loop (PIL) execution, which enables you to verify production-ready source code and compiled object code. With these execution modes, you can reuse test vectors developed for your MATLAB functions to verify the numerical behavior of library code.

In SIL execution, through a MATLAB SIL interface, the software compiles and runs library code on your host computer. In PIL execution, through a MATLAB PIL interface, the software cross-compiler and runs production object code on a target processor or an equivalent instruction set simulator. Before you run a PIL execution, you must set up a PIL connectivity configuration for your target.

The workflow for generating and verifying code is:

- 1 Set up MATLAB Coder.
- 2 Fix errors detected at design time.
- 3 Generate MEX function.
- 4 Test MEX function.
- 5 Generate C/C++ library code.
- 6 Verify generated C/C++ code through SIL or PIL execution — requires Embedded Coder license.

In step 4, you verify code that is generated for execution within MATLAB. However, this code is different from the standalone code generated for libraries. In step 6, with an Embedded Coder license, you use SIL or PIL execution to verify the standalone code.



For more information, use the following table.

Feature	See
SIL execution	<ul style="list-style-type: none"> <li>• “Software-in-the-Loop Execution with the MATLAB Coder App” on page 38-4</li> <li>• “Software-in-the-Loop Execution From Command Line” on page 38-6</li> </ul>

Feature	See
PIL target connectivity configuration	<ul style="list-style-type: none"><li>• “Create PIL Target Connectivity Configuration” on page 38-12</li><li>• “Host-Target Communication for PIL” on page 38-16</li><li>• “Processor-in-the-Loop Execution From Command Line” on page 38-26</li></ul>
PIL execution	<ul style="list-style-type: none"><li>• “Processor-in-the-Loop Execution with the MATLAB Coder App” on page 38-24</li><li>• “Processor-in-the-Loop Execution From Command Line” on page 38-26</li></ul>
Code generation, MEX functions, and libraries	<ul style="list-style-type: none"><li>• “MATLAB Code Analysis”</li><li>• “Generating Code”</li><li>• “Deployment”</li></ul>

## Software-in-the-Loop Execution with the MATLAB Coder App

Use software-in-the-loop (SIL) execution to verify the numerical behavior of the generated C/C++ code with reference to your original MATLAB functions.

- 1 To open the MATLAB Coder app, on the MATLAB Toolstrip **Apps** tab, under **Code Generation**, click the app icon.
- 2 To open your project, click , and then click **Open existing project**. Select the project. For example, `kalman_filter01.prj`.
- 3 On the **Generate Code** page, click the **Generate** arrow .
- 4 In the **Generate** dialog box:
  - a Set **Build type** to **Static Library** or **Dynamic Library**.
  - b In the **Output file name** field, use the default value. For example, `kalman01`.
  - c Specify **Language**.
  - d Clear the **Generate code only** check box.
  - e In the **Hardware Board** field, use the default value (MATLAB Host Computer).

You do not have to specify the **Toolchain** setting. By default, the MATLAB Coder app locates an installed toolchain.

- 5 To generate the C or C++ code, click **Generate**.
- 6 Click **Verify Code**.
- 7 In the command field, specify the test file that calls the original MATLAB functions, for example, `test01_ui.m`.
- 8 If required, select the **Enable source-level debugging for SIL** check box.
- 9 To start the SIL execution, click **Run Generated Code**.

The MATLAB Coder app:

- Generates a standalone library, for example, `codegen\lib\kalman01`.
- Generates SIL interface code, for example, `codegen\lib\kalman01\sil`.
- Runs the test file, replacing calls to the MATLAB function with calls to the generated code in the library.



- Displays messages from the SIL execution in the **Test Output** tab.
- 10** Verify that the results from the SIL execution match the results from the original MATLAB functions.
  - 11** To terminate the SIL execution process, click **Stop SIL Verification**. Alternatively, on the **Test Output** tab, click the link that follows **To terminate execution**.

---

**Note:** On a Windows operating system, the Windows Firewall can potentially block the SIL execution. To allow the SIL execution, use the Windows Security Alert dialog box. For example, in Windows 7, click **Allow access**.

---

## Related Examples

- “C Code Generation Using the MATLAB Coder App”
- “Software-in-the-Loop Execution From Command Line” on page 38-6
- “Debug SIL Execution” on page 38-9
- “Generate Execution Time Profile” on page 29-3

## More About

- “Code Verification Through Software-in-the-Loop and Processor-in-the-Loop Execution” on page 38-2

## Software-in-the-Loop Execution From Command Line

Use software-in-the-loop (SIL) execution to verify the numerical behavior of the generated C/C++ code with reference to your original MATLAB functions.

To set up and start a SIL execution from the command line:

- 1 Create a `coder.EmbeddedCodeConfig` object.
- 2 Configure the object for SIL.
- 3 Use the `codegen` function to generate library code for your MATLAB function and the SIL interface.
- 4 Use the `coder.runTest` function to run the test file for your original MATLAB function.

To terminate the SIL execution, use the `clear function_sil` or `clear mex` command.

The following example shows how you can set up and run a SIL execution from the command line.

### SIL Execution of Code Generated for a Kalman Estimator

#### 1 Copy MATLAB code for Kalman estimator

From `docroot\toolbox\coder\examples\kalman`, copy the following files to your working folder:

- `kalman01.m` — MATLAB function for the Kalman estimator
- `test01_ui.m` — MATLAB file to test `kalman01.m`
- `plot_trajectory.m` — File that plots actual target trajectory and Kalman estimator output
- `position.mat` — Input data

```
src_dir = ...
    fullfile(docroot, 'toolbox', 'coder', 'examples', 'kalman');

copyfile(fullfile(src_dir, 'kalman01.m'), '.')
copyfile(fullfile(src_dir, 'test01_ui.m'), '.')
```

```
copyfile(fullfile(src_dir, 'plot_trajectory.m'), '.')
copyfile(fullfile(src_dir, 'position.mat'), '.')
```

For a description of the Kalman estimator in this example, see “C Code Generation at the Command Line”.

## 2 Configure SIL execution

- a** From your working folder, create a `coder.EmbeddedCodeConfig` object.

```
config = coder.config('lib');
config.GenerateReport = true; % Optional, documents code in HTML report
```

- b** Configure the object for SIL.

```
config.VerificationMode = 'SIL';

% Check that production hardware setting is the default
% i.e. 'Generic->MATLAB Host Computer'
disp(config.HardwareImplementation.ProdHWDeviceType);
```

- c** If required, enable the Microsoft Visual Studio debugger for SIL execution:

```
config.SILDebugging = true;
```

## 3 Generate code and run SIL execution

- a** Generate library code for the `kalman01` MATLAB function and the SIL interface.

```
codegen('-config', config, '-args', {zeros(2,1)}, 'kalman01');
```

The software creates the following output folders:

- `codegen\lib\kalman01` — Standalone code for `kalman01`.
- `codegen\lib\kalman01\sil` — SIL interface code for `kalman01`.

- b** Run the MATLAB test file `test01_ui` with `kalman01_sil`. `kalman01_sil` is the SIL interface for `kalman01`.

```
coder.runTest('test01_ui', ['kalman01_sil.' mexext]);
```

Verify that the output of this run matches the output from the original `kalman01.m` function.

**Note:** On a Windows operating system, the Windows Firewall can potentially block the SIL execution. To allow the SIL execution, use the Windows Security Alert dialog box. For example, in Windows 7, click **Allow access**.

---

#### 4 Debug code during SIL execution

If you enable the Microsoft Visual Studio debugger, then running the test file opens the Microsoft Visual Studio IDE with debugger breakpoints at the start of the `kalman01_initialize` and `kalman01` functions.

You can use the debugger features to observe code behavior. For example, you can step through code and examine variables.

To end the debugging session:

- a Remove all breakpoints.
- b Click the Continue button (**F5**).

The SIL execution runs to completion.

#### 5 Terminate SIL execution

Terminate the SIL execution process.

```
clear kalman01_sil;
```

You can also use the command `clear mex`, which clears MEX functions from memory.

### Related Examples

- “C Code Generation Using the MATLAB Coder App”
- “Software-in-the-Loop Execution with the MATLAB Coder App” on page 38-4
- “Debug SIL Execution” on page 38-9
- “Generate Execution Time Profile” on page 29-3

### More About

- “Code Verification Through Software-in-the-Loop and Processor-in-the-Loop Execution” on page 38-2

## Debug SIL Execution

If a SIL execution fails or you notice differences between the outputs of your original functions and the generated code, you can rerun the SIL execution with a debugger enabled. By inserting breakpoints, you can observe the behavior of code sections, which might help you to understand the cause of the problem.

For a SIL execution failure, you can also view information from the standard output and standard error streams in the MATLAB Command Window. For example:

- Output from `printf` statements in your code.
- If you enable run-time error detection, messages sent to `stderr`.
- Some low-level system messages.

---

**Note:** During a SIL execution, the SIL application redirects the `stdout` and `stderr` streams. When the application terminates, the MATLAB Command Window displays the information from the redirected streams. The SIL application also provides a basic signal handler, which captures the POSIX signals `SIGFPE`, `SIGILL`, `SIGABRT`, and `SIGSEV`. For this signal handler, the SIL application includes the file `signal.h`.

---

A SIL execution supports the following debuggers:

- On Windows, Microsoft Visual Studio debugger.
- On Linux, GNU Data Display Debugger (DDD).

---

**Note:** You can perform SIL debugging only if your Microsoft Visual C++ or GNU GCC compiler is supported by the MATLAB product family. For more information, see supported compilers.

---

To run a SIL execution with debugging enabled:

- 1 On the **Generate Code** page, click **Verify Code**.
- 2 Select the **Enable source-level debugging for SIL** check box.
- 3 Click **Run Generated Code**.

On a Windows computer, your `user_fn.c` or `user_fn.cpp` file opens in the Microsoft Visual Studio IDE with debugger breakpoints at the start of the `user_fn_initialize` and `user_fn` functions.

```

kalman01.c
/*
 * File: kalman01_initialize.c
 *
 * MATLAB Coder version      : 2.7
 * C/C++ source code generated on : 19-May-2014 10:51:32
 */

/* Include Files */
#include "rt_nonfinite.h"
#include "kalman01.h"
#include "kalman01_initialize.h"

/* Function Definitions */

/*
 * Arguments   : void
 * Return Type : void
 */
void kalman01_initialize(void)
{
    rt_InitInfAndNaN(8U);
    kalman01_init();
}

/*
 * File trailer for kalman01_initialize.c
 */

```

You can now use the debugger features to observe code behavior. For example, you can step through code and examine variables.

To end the debugging session:

- 1 Remove all breakpoints.
- 2 Click the **Continue** button (**F5**).

The SIL execution runs to completion.

- 3 To terminate the SIL execution process, on the **Test Output** tab, click the link that follows **To terminate execution**, for example, `clear kalman01_sil`.

The Microsoft Visual Studio IDE closes automatically.

---

**Note:** If you select **Debug > Stop Debugging**, the SIL execution times out with the following error message:

Communications error: failed to send data to the target. There might be multiple reasons for this failure.

...  
...

---

## **Related Examples**

- “Software-in-the-Loop Execution with the MATLAB Coder App” on page 38-4
- “Software-in-the-Loop Execution From Command Line” on page 38-6

## Create PIL Target Connectivity Configuration

### In this section...

“Target Connectivity Configurations for PIL” on page 38-12

“Create a Target Connectivity API Implementation” on page 38-12

“Register Target Connectivity Configuration” on page 38-14

### Target Connectivity Configurations for PIL

Use target connectivity configurations and the target connectivity API to customize processor-in-the-loop (PIL) execution for your target environments.

Through a target connectivity configuration, you specify:

- A target connectivity configuration name for a target connectivity API implementation.
- Settings that define compatible MATLAB code. For example, the code that is generated for a particular hardware implementation.

A PIL execution requires a target connectivity PIL API implementation that integrates third-party tools for:

- Building the PIL application that runs on the target hardware
- Downloading, starting, and stopping the application on the target
- Communicating between MATLAB and the target

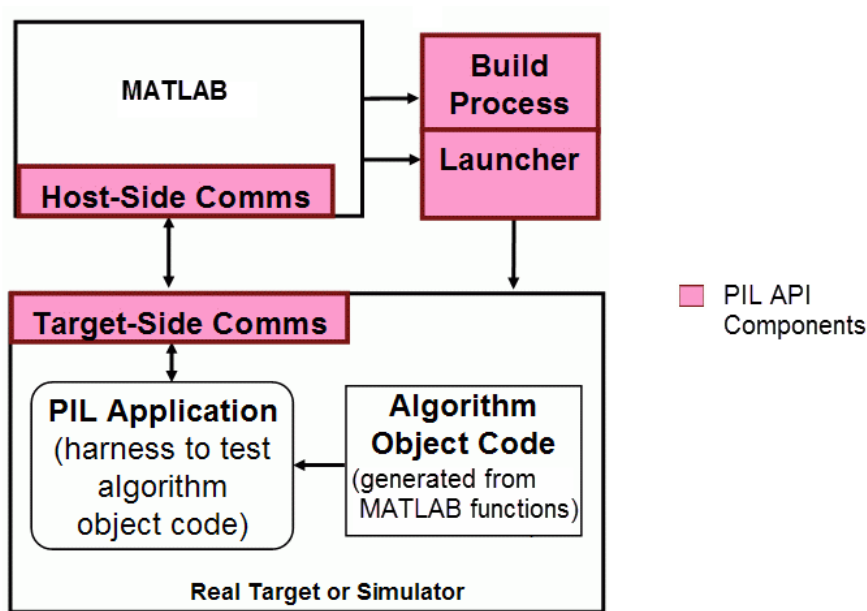
You can have many different connectivity configurations for PIL execution. Register a connectivity configuration with MATLAB by creating an `rtwTargetInfo.m` file and placing it on the MATLAB search path.

In a PIL execution, the software determines which of the available connectivity configurations to use. The software looks for a connectivity configuration that is compatible with the MATLAB code under test. If the software finds multiple or no compatible connectivity configurations, the software generates an error message with information about resolving the problem.

### Create a Target Connectivity API Implementation

This diagram shows the components of the PIL target connectivity API.





These steps outline how you create a target connectivity API implementation. The example code shown in the steps is taken from the `ConnectivityConfig.m` file used in “Processor-in-the-Loop Execution From Command Line” on page 38-26.

- 1 Create a subclass of `rtw.connectivity.Config`.

```
ConnectivityConfig < rtw.connectivity.Config
```

- 2 In the subclass, create instances of the builder and launcher classes:

- Instantiate `rtw.connectivity.MakefileBuilder`, which configures the build process.

```
builder = rtw.connectivity.MakefileBuilder(componentArgs, ...
    targetApplicationFramework, ...
    exeExtension);
```

- Instantiate `rtw.connectivity.Launcher`, which downloads and executes the application using a third-party tool.

```
launcher = mypil.Launcher(componentArgs, builder);
```

- 3 Configure your `rtiostream` API implementation of the host-target communications channel.

- For the target side, you must provide the driver code for communications, for example, code for TCP/IP or serial communications. To integrate this code into the build process, create a subclass of `rtw.pil.RtIOStreamApplicationFramework`.
- For the host side, you can use a supplied library for TCP/IP or serial communications. Instantiate `rtw.connectivity.RtIOStreamHostCommunicator`, which loads and initializes the library that you specify.

```
hostCommunicator = rtw.connectivity.RtIOStreamHostCommunicator(...  
                    componentArgs, ...  
                    launcher, ...  
                    rtiostreamLib);
```

- 4 If you require execution time profiling of generated code, create a timer object that provides details of the hardware-specific timer and associated source files. See “Specify Hardware Timer” on page 38-21.

## Register Target Connectivity Configuration

To register a target connectivity API implementation as a target connectivity configuration in MATLAB:

- 1 Create or update an `rtwTargetInfo.m` file. In this file:
  - Create a target connectivity configuration object that specifies, for example, the configuration name for a target connectivity API implementation and compatible MATLAB code.
  - Invoke `registerTargetInfo`.
- 2 Add the folder containing `rtwTargetInfo.m` to the search path and refresh the MATLAB Coder library registration information.

For more information, see `rtw.connectivity.ConfigRegistry`.

## See Also

`rtw.connectivity.Config` | `rtw.connectivity.ConfigRegistry` |  
`rtw.connectivity.Launcher` | `rtw.connectivity.MakefileBuilder` |  
`rtw.connectivity.RtIOStreamHostCommunicator` |  
`rtw.pil.RtIOStreamApplicationFramework`

## **Related Examples**

- “Create Subclasses — Syntax and Techniques”
- “Specify Hardware Timer” on page 38-21
- “Processor-in-the-Loop Execution From Command Line” on page 38-26

## **More About**

- “Host-Target Communication for PIL” on page 38-16

## Host-Target Communication for PIL

### In this section...

“Communications `rtiostream` API” on page 38-16

“Synchronize Host and Target” on page 38-17

“Test an `rtiostream` Driver” on page 38-18

### Communications `rtiostream` API

The `rtiostream` API supports communications for the target connectivity API. Use the `rtiostream` API to implement a communication channel that enables data exchange between different processes.

PIL verification requires a host-target communications channel. This communications channel comprises driver code that runs on the host and target. The `rtiostream` API defines the signature of target-side and host-side functions that must be implemented by this driver code.

The API is independent of the physical layer that sends the data. Possible physical layers include RS232, Ethernet, or Controller Area Network (CAN).

A full `rtiostream` implementation requires both host-side and target-side drivers. Code generation software includes host-side drivers for the default TCP/IP implementation as well as a version for serial communications. To use:

- The TCP/IP `rtiostream` communications channel, you must provide, or obtain from a third party, target-specific TCP/IP device drivers.
- The serial communications channel, you must provide, or obtain from a third party, target-specific serial device drivers.

For other communication channels and platforms, the code generation software does not provide default implementations. You must provide both the host-side and the target-side drivers.

The `rtiostream` API comprises the following functions:

- `rtIOStreamOpen`

- `rtIOStreamSend`
- `rtIOStreamRecv`
- `rtIOStreamClose`

For information about:

- Using `rtiostream` functions in a connectivity implementation, see “Create a Target Connectivity API Implementation” on page 38-12.
- Testing the `rtiostream` shared library methods from MATLAB code, see `rtiostream_wrapper`.
- Debugging and verifying the behavior of custom `rtiostream` interface implementations, see “Test an `rtiostream` Driver” on page 38-18.

## Synchronize Host and Target

If you use the `rtiostream` API to implement the communications channel, the host and target must be synchronized, which prevents MATLAB from transmitting and receiving data before the target application is fully initialized.

To synchronize the host and target for TCP/IP `rtiostream` implementations, use the `setInitCommsTimeout` method from `rtw.connectivity.RtIOStreamHostCommunicator`. This approach works well for connection-oriented TCP/IP `rtiostream` implementations because MATLAB automatically waits until the target server is running.

With other `rtiostream` implementations, for example, serial, the MATLAB side of the `rtiostream` connection will open without waiting for the target to be fully initialized. In this case, you must make your `Launcher` implementation wait until the target application is fully initialized. Use one of the following approaches to synchronize your host and target:

- Add a pause at the end of the `Launcher` implementation that makes the `Launcher` wait until target initialization is complete.
- In the `Launcher` implementation, use third-party downloader or debugger APIs that wait until target initialization is complete.
- Implement a handshaking mechanism in the `Launcher / rtiostream` implementation to confirm that target initialization is complete.

## Test an `rtiostream` Driver

Use a test suite to debug and verify the behavior of custom `rtiostream` interface implementations.

The test suite has the following advantages:

- Reduces time for integrating custom hardware that does not have built-in `rtiostream` support.
- Reduces time for testing custom `rtiostream` drivers.
- Helps analyze the performance of custom `rtiostream` drivers.

The test suite has two parts. One part of the test suite runs on the target.

---

**Note:** After building the target application, download it to the target and run it.

---

To launch this part, compile and link the following files, which are in the folder `matlabroot/toolbox/coder/rtiostream/src/rtiostreamtest` (open).

- `rtiostreamtest.c`
- `rtiostreamtest.h`
- `rtiostream.h`, located in the folder `matlabroot/rtw/c/src` (open)
- `rtiostream` implementation under investigation (for example, `rtiostream_tcpip.c`)
- `main.c`

To run the MATLAB part of the test suite, invoke `rtiostreamtest`. The syntax is as follows:

```
rtiostreamtest(connection,param1,param2)
```

- `connection` is a string indicating the communication method. It can have values `'tcp'` or `'serial'`.
- `param1` and `param2` have different values depending on the value of `connection`.
  - If `connection` is `'tcp'`, then `param1` and `param2` are hostname and port, respectively. For example, `rtiostreamtest('tcp', 'localhost', 2345)`.

- If connection is 'serial', then param1 and param2 are COM port and baud rate, respectively. For example, `rtiostreamtest('serial', 'COM1', 9600)`.

You can run the MATLAB part of the test suite as follows:

```
rtiostreamtest('tcp', 'localhost', '2345')
```

An output in the following format appears in the MATLAB window:

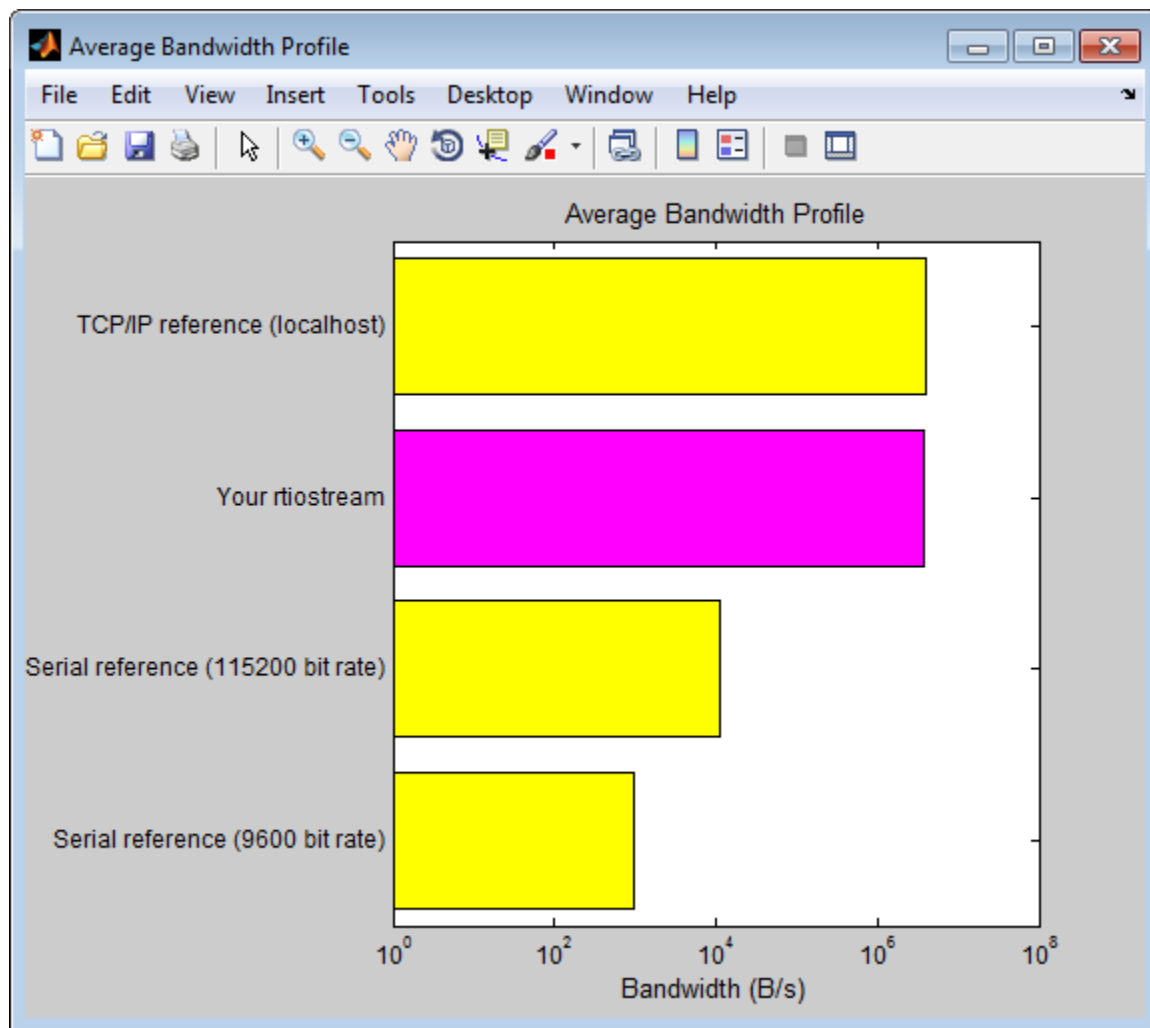
```
### Test suite for rtiostream ###
Initializing connection with target...

### Hardware characteristics discovered
Size of char      : 8 bit
Size of short     : 16 bit
Size of int       : 32 bit
Size of long      : 32 bit
Size of float     : 32 bit
Size of double    : 64 bit
Size of pointer   : 64 bit
Byte ordering     : Little Endian

### rtiostream characteristics discovered
Round trip time  : 0.96689 ms
rtIOStreamRecv  behavior : non-blocking

### Test results
Test 1 (fixed size data exchange): ..... PASS
Test 2 (varying size data exchange): ..... PASS

### Test suite for rtiostream finished successfully ###
Furthermore, the following profile appears.
```





## Specify Hardware Timer

For processor-in-the-loop (PIL) code execution profiling, you must create a timer object that provides details of the hardware-specific timer and associated source files. You can use the Code Replacement Tool or the code replacement library API to specify this hardware-specific timer.

To specify the timer with the Code Replacement Tool:

- 1** Open the Code Replacement Tool. In the Command Window, enter `crtool`.
- 2** Create a new code replacement table. Select **File > New table**.
- 3** Create a new function entry. Under **Tables List**, right-click the new table. Then, from the context-menu, select **New entry > Function**.
- 4** In the middle view, select the new unnamed function.
- 5** On the **Mapping Information** pane:
  - a** From the **Function** drop-down list, select `code_profile_read_timer`.
  - b** Specify the count direction for your timer. For example, from the **Count direction** drop-down list, select **Up**.
  - c** In the **Ticks per second** field, specify the number of ticks per second for your timer, for example, `1e+09`.

The default value is 0. In this case, the software reports time measurements in terms of ticks, not seconds.

- d** In the **Name** field, specify a replacement function name, for example, `MyTimer`.
- e** Click **Apply**.

**f** To validate the function entry, click **Validate entry**.

- 6** On the **Build Information** pane, specify the required build information. See “Specify Build Information for Replacement Code” on page 24-59.
- 7** Save the table (**Ctrl+S**). When you save the table for the first time, use the Save As dialog box to specify the file name and location.

You must save the table in a location that is on the MATLAB search path. For example, you can save this file in the folder for your subclass of `rtw.connectivity.Config`.

The software stores your timer information as a code replacement library table.

- 8** Assuming you save the table as `MyCr1Table.m`, in your subclass of `rtw.connectivity.Config`, add the following line:

```
setTimer(this, MyCr1Table)
```

## **Related Examples**

- “Create a Target Connectivity API Implementation” on page 38-12
- “Generate Execution Time Profile” on page 29-3
- “Specify Build Information for Replacement Code” on page 24-59



## **More About**

- “What Is Code Replacement?” on page 20-2
- “What Is Code Replacement Customization?” on page 24-3

## Processor-in-the-Loop Execution with the MATLAB Coder App

Use processor-in-the-loop (PIL) execution to verify the numerical behavior of cross-compiled object code with reference to your original MATLAB functions.

Before you run a PIL execution, you must define a target connectivity configuration. In “Processor-in-the-Loop Execution From Command Line” on page 38-26, steps 1 and 2 of the example PIL Execution of Code Generated for a Kalman Estimator show how you can set up and register a connectivity configuration for host-based PIL.

- 1 To open the MATLAB Coder app, on the MATLAB Toolstrip **Apps** tab, under **Code Generation**, click the app icon.
- 2 To open your project, click , and then click **Open existing project**. Select the project. For example, `kalman_filter.prj`.
- 3 On the **Generate Code** page, click the **Generate** arrow .
- 4 In the **Generate** dialog box:
  - a Set **Build type** to **Static Library** or **Dynamic Library**.
  - b In the **Output file name** field, use the default value. For example, `kalman01`.
  - c Clear the **Generate code only** check box.
  - d From the **Hardware Board** drop-down list, select **None - Select device below**.
  - e In the **Device** fields, specify vendor and type. These settings must match the target hardware settings in the `rtwTargetInfo.m` file of your target connectivity configuration. For host-based PIL, select settings that match your host computer. For example:
    - For a Windows 64-bit system, set **Device vendor** to **Intel** and **Device type** to **x86-64 (Windows64)**. In addition, set **Enable long long** to **Yes**.
    - For a Linux 64-bit system, set **Device vendor** to **Intel** and **Device type** to **x86-64 (Linux 64)**.
    - For a Mac OS X system, set **Device vendor** to **Intel** and **Device type** to **x86-64 (Mac OS X)**.

You do not have to specify the **Toolchain** setting. By default, the MATLAB Coder app locates an installed toolchain.

- 5 To generate the C or C++ code, click **Generate**.
- 6 Click **Verify Code**.
- 7 In the command field, specify the test file that calls the original MATLAB functions, for example, `test01_ui.m`.
- 8 To start the PIL execution, click **Run Generated Code**.

The MATLAB Coder app:

- Generates a standalone library, for example, `codegen\lib\kalman01`.
  - Generates PIL interface code, for example, `codegen\lib\kalman01\pil`.
  - Runs the test file, replacing calls to the MATLAB function with calls to the generated code in the library.
  - Displays messages from the PIL execution in the **Test Output** tab.
- 9 Verify that the results from the PIL execution match the results from the original MATLAB functions.
  - 10 To terminate the PIL execution process, click **Stop PIL Verification**. Alternatively, on the **Test Output** tab, click the link that follows `To terminate execution`.

## Related Examples

- “C Code Generation Using the MATLAB Coder App”
- “Processor-in-the-Loop Execution From Command Line” on page 38-26
- “Generate Execution Time Profile” on page 29-3

## More About

- “Code Verification Through Software-in-the-Loop and Processor-in-the-Loop Execution” on page 38-2

## Processor-in-the-Loop Execution From Command Line

Use processor-in-the-loop (PIL) execution to verify code that you intend to deploy in production.

To set up and start a PIL execution from the command line:

- 1 Create a connectivity configuration for your target.
- 2 Create a `coder.EmbeddedCodeConfig` object.
- 3 Configure the object for PIL.
- 4 Use the `codegen` function to generate library code for your MATLAB function and the PIL interface.
- 5 Use the `coder.runTest` function to run the test file for your original MATLAB function.

To terminate the PIL execution, use the `clear function_pil` or `clear mex` command.

The following example shows how you can set up and run a host-based PIL execution from the command line.

### PIL Execution of Code Generated for a Kalman Estimator

#### 1 Create a target connectivity API implementation

- a In your current working folder, make a local copy of the connectivity classes.

```
src_dir = ...
    fullfile(matlabroot, 'toolbox', 'coder', 'simulinkcoder', '+coder', '+mypil');
if exist(fullfile('.', '+mypil'), 'dir')
    rmdir('+mypil', 's')
end
mkdir +mypil
copyfile(fullfile(src_dir, 'Launcher.m'), '+mypil');
copyfile(fullfile(src_dir, 'TargetApplicationFramework.m'), '+mypil');
copyfile(fullfile(src_dir, 'ConnectivityConfig.m'), '+mypil');
```

- b Make the copied files writable.

```
fileattrib(fullfile('+mypil', '*'), '+w');
```

- c Update the package name to reflect the new location of the files.

```
coder.mypil.Utils.UpdateClassName(...
    './+mypil/ConnectivityConfig.m',...
    'coder.mypil',...
    'mypil');
```

- d** Check that you now have a folder `+mypil` in the current folder, which includes three files, `Launcher.m`, `TargetApplicationFramework.m`, and `ConnectivityConfig.m`.

```
dir './+mypil'
```

- e** Review the code that starts the PIL application. The `mypil.Launcher` class configures a tool for starting the PIL executable. Open this class in the editor.

```
edit(which('mypil.Launcher'))
```

Review the content of this file. For example, consider the `setArgString` method. This method allows additional command line parameters to be supplied to the application. These parameters can include a TCP/IP port number. For an embedded processor implementation, you might have to hard code these settings.

- f** The class `mypil.ConnectivityConfig` configures target connectivity.

```
edit(which('mypil.ConnectivityConfig'))
```

Review the content of this file. For example:

- The creation of an instance of `rtw.connectivity.RtIOStreamHostCommunicator` that configures the host side of the TCP/IP communications channel.
- A call to the `setArgString` method of `Launcher` that configures the target side of the TCP/IP communications channel.
- A call to `setTimer` that configures a timer for execution time measurement. To define your own target-specific timer for execution time profiling, you must use the Code Replacement Library to specify a replacement for the function `code_profile_read_timer`.

- g** Review the target-side communication drivers.

```
rtiostreamtcpip_dir=fullfile(matlabroot,'rtw','c','src','rtiostream',...
    'rtiostreamtcpip');
```

```
edit(fullfile(rtiostreamtcpip_dir,'rtiostream_tcpip.c'))
```

Scroll down to the end of this file. The file contains a TCP/IP implementation of the functions `rtIOStreamOpen`, `rtIOStreamSend`, and `rtIOStreamRecv`.

These functions are required for target communication with the host. For each of these functions, you must provide an implementation that is specific to your target hardware and communication channel.

The `mypil.TargetApplicationFramework` class adds target-side communication drivers to the connectivity configuration.

```
edit(which('mypil.TargetApplicationFramework'))
```

The file specifies additional files to include in the build.

## 2 Register a target connectivity configuration

Use an `rtwTargetInfo.m` file to:

- Create a target connectivity configuration object.
- Invoke `registerTargetInfo`, which registers the target connectivity configuration.

The target connectivity configuration object specifies, for example:

- The configuration name and associated API implementation. See `rtw.connectivity.ConfigRegistry`
  - A toolchain for your target hardware. This example assumes that the target hardware is your host computer, and uses the toolchain supplied for host-based PIL verification. For information about toolchains, see “Custom Toolchain Registration”.
- Insert the following code into your `rtwTargetInfo.m` file, and save the file in the current working folder or in a folder that is on the MATLAB search path:

```
function rtwTargetInfo(tr)
% Register PIL connectivity config: mypil.ConnectivityConfig

tr.registerTargetInfo(@loc_createConfig);

% local function
function config = loc_createConfig

% Create object for connectivity configuration
config = rtw.connectivity.ConfigRegistry;
% Assign connectivity configuration name
config.ConfigName = 'My PIL Example';
% Associate the connectivity configuration with the connectivity
```



```

% API implementation
config.ConfigClass = 'mypil.ConnectivityConfig';

% Specify toolchains for host-based PIL
config.Toolchain = rtw.connectivity.Utils.getHostToolchainNames;

% Through the TargetHWDeviceType property, define compatible code for the
% target connectivity configuration
config.TargetHWDeviceType = {'Generic->32-bit x86 compatible' ...
                             'Generic->Custom' ...
                             'Intel->x86-64 (Windows64)', ...
                             'Intel->x86-64 (Mac OS X)', ...
                             'Intel->x86-64 (Linux 64)'};

```

- b** Refresh the MATLAB Coder library registration information.

```
RTW.TargetRegistry.getInstance('reset');
```

### 3 Copy MATLAB code for Kalman estimator

Copy the MATLAB code to your working folder.

```

src_dir = ...
    fullfile(docroot, 'toolbox', 'coder', 'examples', 'kalman');

copyfile(fullfile(src_dir, 'kalman01.m'), '.')
copyfile(fullfile(src_dir, 'test01_ui.m'), '.')
copyfile(fullfile(src_dir, 'plot_trajectory.m'), '.')
copyfile(fullfile(src_dir, 'position.mat'), '.')

```

For a description of the Kalman estimator in this example, see “C Code Generation at the Command Line”.

### 4 Configure the PIL execution

- a** Create a `coder.EmbeddedCodeConfig` object.

```
config = coder.config('lib');
```

- b** Configure the object for PIL.

```
config.VerificationMode = 'PIL';
```

- c** Specify production hardware, which must match one of the test hardware settings in `rtwTargetInfo.m`. For host-based PIL, specify settings that match your host computer. For example, if your host computer is a Windows 64-bit system, specify:

```
config.HardwareImplementation.ProdHWDeviceType =...  
    'Intel->x86-64 (Windows64)';  
config.HardwareImplementation.ProdLongLongMode = true;
```

For a Linux 64-bit system, set `ProdHWDeviceType` to `'Intel->x86-64 (Linux 64)'`.

For a Mac OS X system, set `ProdHWDeviceType` to `'Intel->x86-64 (Mac OS X)'`.

## 5 Generate code and run PIL execution

- a Generate library code for the `kalman01` MATLAB function and the PIL interface.

```
codegen('-config', config, '-args', {zeros(2,1)}, 'kalman01');
```

The software creates the following output folders:

- `codegen\lib\kalman01` — Standalone code for `kalman01`.
- `codegen\lib\kalman01\pil` — PIL interface code for `kalman01`.

- b Run the MATLAB test file `test01_ui` with `kalman01_pil`. `kalman01_pil` is the PIL interface for `kalman01`.

```
coder.runTest('test01_ui', ['kalman01_pil.' mexext]);
```

Verify that the output of this run matches the output from the original `kalman01.m` function.

## 6 Terminate PIL execution

Terminate the PIL execution process.

```
clear kalman01_pil;
```

## Related Examples

- “C Code Generation Using the MATLAB Coder App”
- “Processor-in-the-Loop Execution with the MATLAB Coder App” on page 38-24
- “Generate Execution Time Profile” on page 29-3

## **More About**

- “Code Verification Through Software-in-the-Loop and Processor-in-the-Loop Execution” on page 38-2

## Verification of Code Generation Assumptions

The settings on the **More Settings > Hardware** tab specify target behavior, which result in the implementation of implicit assumptions in the generated code. Incorrect settings can lead to:

- Suboptimal code
- Code execution failure, incorrect code output, and nondeterministic code behavior

At the start of a processor-in-the-loop (PIL) execution, the software verifies the **Hardware** tab settings with reference to the target hardware. The software checks:

- The correctness of settings. For example, the integer bit length in the **Sizes > int** field.
- Whether the settings are optimized. For example, the rounding of signed integer division in the **Signed integer division rounds to** field.

If required, the software generates warnings and errors.

## SIL/PIL Execution Support and Limitations

Feature		Supported
Output types	Static library	Yes
	Dynamic library	Yes
	Executable	No
Languages	C	Yes
	C++	Yes
Interface types	Inputs	Yes
	Outputs	Yes
	Constant inputs	Yes
	Global data	No
	Constant global data	Yes
	Reentrant code	Yes
	Multiple entry points	Yes
Data types	Basic types	Yes
	Enumerated types	Yes
	Structures	Yes
	Complex data	Yes
	Fixed-point data	Yes
	Multiword fixed-point data	SIL only
	char arrays	Yes
	Empty values	Yes
	Cell arrays	Yes
Size	Scalars	Yes
	Fixed-size arrays	Yes

Feature		Supported
	Static variable-size arrays	Yes
	Dynamic variable-size size arrays	No

### More About

- “Code Verification Through Software-in-the-Loop and Processor-in-the-Loop Execution” on page 38-2

# Code Coverage

---

- “Code Coverage in SIL and PIL Simulations” on page 39-2
- “Configure SIL and PIL Code Coverage” on page 39-3
- “View Code Coverage Information at the End of SIL or PIL Simulations” on page 39-5
- “Configure Code Coverage Programmatically” on page 39-9
- “Code Coverage Summary and Annotations” on page 39-11
- “Code Coverage Tool Support” on page 39-16
- “Code Coverage for PIL” on page 39-17
- “Tips and Limitations” on page 39-19

## Code Coverage in SIL and PIL Simulations

During a top-model or Model block SIL or PIL simulation, you can collect code coverage metrics for generated code using a third-party tool. Embedded Coder supports the following tools:

- LDRA Testbed<sup>®</sup> from LDRA Software Technology. For information about installing and using this tool, go to [www.ldra.com](http://www.ldra.com).

The software supports LDRA Testbed code coverage for SIL and PIL.

- BullseyeCoverage<sup>™</sup> from Bullseye Testing Technology<sup>™</sup>. For information about installing and using this tool, go to [www.bullseye.com/cgi-bin/mwEval](http://www.bullseye.com/cgi-bin/mwEval).

The software supports BullseyeCoverage code coverage for SIL and, in certain cases, PIL.

### Related Examples

- “Configure SIL and PIL Code Coverage” on page 39-3
- “Configure Code Coverage Programmatically” on page 39-9
- “View Code Coverage Information at the End of SIL or PIL Simulations” on page 39-5
- “Collect Code Coverage Metrics”

### More About

- “Code Coverage Tool Support” on page 39-16
- “PIL Support for LDRA Testbed” on page 39-17
- “PIL Support for BullseyeCoverage” on page 39-18

### External Websites

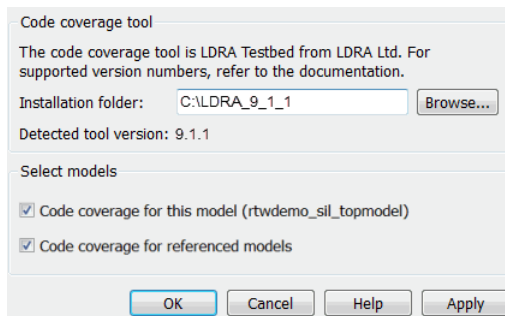
- [www.ldra.com](http://www.ldra.com)
- [www.bullseye.com/cgi-bin/mwEval](http://www.bullseye.com/cgi-bin/mwEval)



## Configure SIL and PIL Code Coverage

To configure a code coverage tool for a top-model or Model block SIL or PIL simulation:

- 1 Select **Simulation > Model Configuration Parameters > Code Generation > Verification**.
- 2 From the **Code coverage tool** drop-down list, select a tool, for example, BullseyeCoverage or LDRA Testbed.
- 3 Click **Configure Coverage** to open the Code Coverage Settings dialog box.
- 4 In the **Installation folder** field, specify the location where your coverage tool is installed. If you click **Browse**, the Select Installation Folder dialog box opens, which allows you to navigate to the folder where your coverage tool is installed. The software detects and displays the tool version.



By default, the software selects the following check boxes:

- **Code coverage for this model** — Generate coverage data for the current (top) model.
- **Code coverage for referenced models** — Generate data for models referenced by the current (top) model.

If your top model has Model blocks where the **Code interface** block parameter is set to **Top model**, then the top model and referenced models must have the same settings for these parameters. Otherwise, the software produces an error.

- 5 Click **OK**. You return to the **Verification** pane.
- 6 To view cumulative code coverage results within a code generation report, in the **Configuration Parameters > Code Generation > Report** pane, select the following check boxes:

- **Create code generation report**
  - **Launch report automatically**
- 7** Click **OK**. You return to the model window.

With LDRA Testbed:

- The evaluation of cumulative code coverage begins from the point when you last added a new file to the existing set of source files. For example, existing code coverage results are deleted when you:
  - Run a simulation with a new model using the existing code generation folder.
  - Run a simulation that results in additional source code files being instrumented.
- If you switch between SIL and PIL simulations of a model, the software generates separate cumulative code coverage results for the SIL and PIL simulations.

For a model in a reference hierarchy, the software does not support simultaneous function execution time measurement and code coverage.

## **Related Examples**

- “Configure a SIL or PIL Simulation” on page 36-11
- “Configure Code Coverage Programmatically” on page 39-9
- “View Code Coverage Information at the End of SIL or PIL Simulations” on page 39-5
- “Collect Code Coverage Metrics”

## **More About**

- “Code Coverage Tool Support” on page 39-16
- “PIL Support for LDRA Testbed” on page 39-17
- “PIL Support for BullseyeCoverage” on page 39-18

## View Code Coverage Information at the End of SIL or PIL Simulations

### In this section...

“View LDRA Testbed Results” on page 39-5

“View BullseyeCoverage Results” on page 39-7

If you configure code coverage for a SIL or PIL simulation, when the simulation is complete, the code generation report opens automatically and you see hyperlinks in the Command Window.

### View LDRA Testbed Results

If you specified the LDRA Testbed, you see three links in the Command Window:

```
### Starting SIL simulation for component: rtwdemo_sil_topmodel
### Stopping SIL simulation for component: rtwdemo_sil_topmodel
### Starting analysis of coverage data
### Use the following links to view code coverage results:
  LDRA Testbed GUI
  LDRA Testbed Code Coverage Overview Report
  HTML code generation report with code coverage annotations
### Completed code coverage analysis
>>
```

To go to the LDRA Testbed GUI, click the LDRA Testbed GUI link.

To open the LDRA Testbed Report with your Web browser, click the LDRA Testbed Code Coverage Overview Report link.

# LDRA Testbed<sup>®</sup> Dynamic Overview Report

Set : work3\_3afef0b64dc51060

Report Production	Report Configuration
<ul style="list-style-type: none"> <li>• C/C++ LDRA Testbed Version: 8.5.1</li> </ul>	<ul style="list-style-type: none"> <li>• DO-178B Level: 'a'</li> <li>• Report Format: Procedure Listing</li> <li>• Procedure Sort Method: Source File order</li> <li>• Reporting Scope: Source file and associated header</li> </ul>

## Contents

### Combined Coverage for Selected Metrics

- Statement
- Branch/Decision
- Modified Condition/ Decision

[Table of Coverage Metric Pass Levels](#)

[Key to Terms](#)

For information about using this report, refer to the LDRA Testbed documentation.

LDRA Testbed analysis results for all code in the current code generation folder belong to a set. In this set, you can find analysis results for models that share the same code generation folder. The [LDRA Testbed Code Coverage Overview Report](#) link identifies the location of the LDRA Testbed analysis results, which is determined by:

- The LDRA Testbed configuration.
- The name of the LDRA Testbed set associated with the current code generation folder.

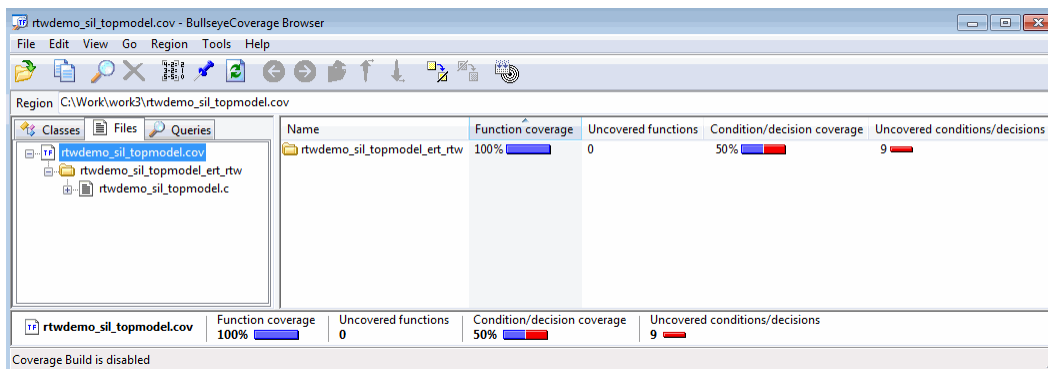
To view summary data and code annotations with coverage information in the code generation report, click the [HTML code generation report with code coverage annotations](#) link.

## View BullseyeCoverage Results

If you specified the BullseyeCoverage tool, you see two links in the Command Window:

```
### Starting SIL simulation for component: rtwdemo_sil_topmodel
### Stopping SIL simulation for component: rtwdemo_sil_topmodel
### Processing code coverage data
### Use the following links to view code coverage results:
    BullseyeCoverage browser (coverage for last run)
    HTML code generation report (cumulative coverage)
### Completed code coverage analysis
>>
```

To view the coverage report using the BullseyeCoverage Browser, click the BullseyeCoverage browser (coverage for last run) link.



The BullseyeCoverage Browser shows coverage data for instrumented files associated with your latest top-model simulation. The coverage data shown in the browser is not cumulative and pertains only to the most recent simulation. For information about the BullseyeCoverage Browser, go to [www.bullseye.com](http://www.bullseye.com).

To view summary data and code annotations with coverage information in the code generation report, click the HTML code generation report (cumulative coverage) link.

## Related Examples

- “Configure SIL and PIL Code Coverage” on page 39-3
- “Collect Code Coverage Metrics”

### **More About**

- “Code Coverage in SIL and PIL Simulations” on page 39-2
- “Code Coverage Summary and Annotations” on page 39-11

## Configure Code Coverage Programmatically

You can configure code coverage for your model using command-line APIs. A typical workflow with BullseyeCoverage is:

- 1 Using `get_param`, retrieve the object containing coverage settings for the current model, for example, `gcs`.

```
>> covSettings = get_param(gcs, 'CodeCoverageSettings')

covSettings =

CodeCoverageSettings with properties:

    TopModelCoverage: 'on'
  ReferencedModelCoverage: 'off'
        CoverageTool: 'BullseyeCoverage'
```

The property `TopModelCoverage` determines whether the software generates code coverage data for just the top model, while `ReferencedModelCoverage` determines whether the software generates coverage data for models referenced by the top model. If neither property is 'on', then no code coverage data is generated during a SIL simulation.

If LDRA Testbed is the specified code coverage tool, then the property `CoverageTool` is 'LDRA Testbed'.

When you save your model, the properties `TopModelCoverage`, `ReferencedModelCoverage`, and `CoverageTool` are also saved.

- 2 Check the class of `covSettings`.

```
>> class(covSettings)

ans =

coder.coverage.CodeCoverageSettings
```

- 3 Turn on coverage for referenced models.

```
>> covSettings.ReferencedModelCoverage='on';
```

- 4 Using `set_param`, apply the new coverage settings to the model.

```
>>set_param(gcs,'CodeCoverageSettings', covSettings);
```

- 5 Assuming you have installed the BullseyeCoverage tool, specify the installation path.

```
>>coder.coverage.BullseyeCoverage.setPath('C:\Program Files\BullseyeCoverage')
```

For LDRA Testbed, use `coder.coverage.LDRA.setPath('C:\...')`.

- 6 Check that the path is saved as a preference.

```
>> coder.coverage.BullseyeCoverage.getPath
```

For LDRA Testbed, use `coder.coverage.LDRA.getPath`.

### Related Examples

- “Collect Code Coverage Metrics”
- “Configure SIL and PIL Code Coverage” on page 39-3

### More About

- “Code Coverage in SIL and PIL Simulations” on page 39-2



# Code Coverage Summary and Annotations

## In this section...

“LDRA Testbed Coverage” on page 39-11

“BullseyeCoverage Information” on page 39-13

If you specify a code coverage tool for a SIL or PIL simulation, the software produces a code generation report that provides summary data and code annotations with coverage information. Each code annotation is associated with a code feature and indicates the nature of the feature coverage during code execution.

The code generation report also allows you to navigate easily between blocks in your model and the corresponding sections in the source code.

## LDRA Testbed Coverage

The cumulative coverage data in a code generation report is derived from instrumented files associated with your latest top-model simulation **and** coverage data collected from simulations with other top models that share referenced models with your current top model.

File: [rtwdemo\\_sil\\_topmodel.c](#)

LDRA Testbed code coverage enabled

Function exit points: 100%	Statement: 87%	Branch/condition: 37%
Branch/decision: 57%	MC/DC: 0%	

```

1 /*
2  * File: rtwdemo_sil_topmodel.c
3  *
4  * Code generated for Simulink model 'rtwdemo_sil_topmodel'.
5  *
6  * Model Version           : 1.206
7  * Simulink Coder version   : 8.2 (R2012a) 07-Oct-2011
8  * TLC version             : 8.2 (Oct 7 2011)
9  * C/C++ source code generated on : Wed Oct 19 12:29:12 2011
10 *
11 * Target selection: ert.tlc
12 * Embedded hardware selection: Specified
13 * Code generation objectives: Unspecified
14 * Validation result: Not run
15 */
16
17 #include "rtwdemo_sil_topmodel.h"
18
19 /* Block signals and states (auto storage) */
20 D_Work rtUWork;
21

```

The software provides LDRA Testbed annotations in the code generation report to help you to review code coverage.

**Note:** Do not use the code generation report alone to verify that you have achieved your coverage goals. You must refer to the LDRA Testbed Report.

This example shows three kinds of annotations. On lines 134, 139, 140, and 141, the annotation `•` indicates that statement coverage for each of these lines of code is not complete.

```

• 134  if (rtWork.bitsForTID0.LogicalOperator1) (
=>b .....^
135  /* Switch: '<S2>/Switch1' incorporates:
136  *   Constant: '<S2>/C1'
137  *   Inport: '<Root>/reset'
138  */
• 139  if (rtU.reset) {
=> .....^
140  rtWork.PreviousOutput_DSTATE = 0U;
• 141  }

```

Placing the cursor over the annotation `=>b` produces a tooltip.

```

• 134  if (rtWork.bitsForTID0.LogicalOperator1) (
=>b .....^
Branch destinations
covered
<line><column>:139-3)
branch destinations not
covered:134<5
Switch: '<S2>/Switch1' incorporates:
Constant: '<S2>/C1'
Inport: '<Root>/reset'
} .reset) (

```

This tooltip indicates that only one branch destination is covered. The code within the curly brackets, which starts at column 45 of line 134, is not executed. As the `if` statement on line 139 lies within this code, the corresponding annotation `=>` states that the branch is not covered.

The following table describes the LDRA Testbed code annotations that you might see in a code generation report produced by a SIL and PIL simulations.

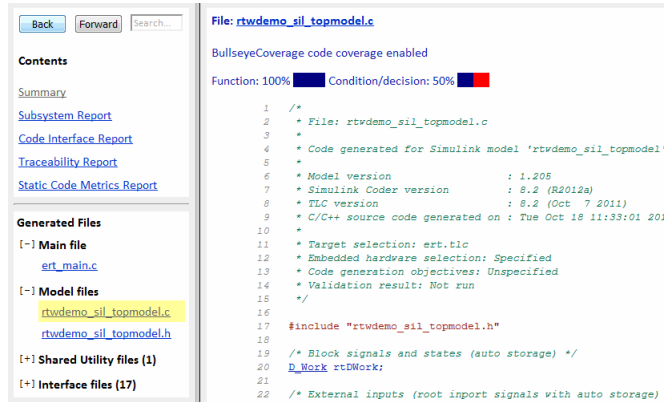
Code feature	Annotation symbol	What happened during simulation
Function	Fcn	Function <i>name</i> returned through this exit point.
	=>	Function <i>name</i> never returned through this exit point.
Branch/condition	=>	Condition not encountered.
	=>t	Condition evaluated true only.
	=>f	Condition evaluated false only.

Code feature	Annotation symbol	What happened during simulation
	tf	Condition evaluated both true and false.
Branch/decision	=>	Branch never encountered.
	=>b	Branch to at least one destination covered and branch to at least one other destination not covered.
	b	Branch fully exercised.
Modified Condition/ Decision Coverage (MC/DC)	=>mc	Condition did not independently affect outcome of decision.
	mc	Condition independently affected outcome of decision.
Statement	▪	Statements associated with line covered.
	•	Not all statements associated with line covered.
Code that is reformatted by LDRA Testbed and does not match the original source code. For example, source code with <code>#include</code> statements to include other files, and source code with <code>#define</code> statements for macros.  For detailed coverage information, refer to the LDRA Testbed report.	=> $\Sigma$	Zero coverage — probes within source code line or files included by source code line not exercised.
	=> $\Sigma$	Coverage probes within source code line or any included file partially exercised.
	$\Sigma$	Coverage probes within source code line or included files fully exercised.

## BullseyeCoverage Information

The cumulative coverage data in a code generation report is derived from instrumented files associated with your latest top-model simulation **and** coverage data collected from

simulations with other top models that share referenced models with your current top model.



The software provides BullseyeCoverage annotations in the code generation report to help you to review code coverage.

This example shows two kinds of annotations. At line 41, TF indicates that the `if` decision had both true and false outcomes during the simulation. At line 52, `=>F` indicates that the `if` decision was false only during the simulation.

```

TF 41  if (rtU.reset) {
    42      rtDWork.PreviousOutput_DSTATE = 20U;
    43  }
    44
    45  /* Switch: '<Root>/Switch' incorporates:
    46   * Constant: '<Root>/C1'
    47   * Constant: '<Root>/C5'
    48   * Inport: '<Root>/ ticks_to_count'
    49   * RelationalOperator: '<Root>/upper_GE input'
    50   * Sum: '<Root>/Add'
    51   */
=>F 52  if ((uint8_T)((uint32_T)rtU.ticks_to_count + (uint32
    53      rtDWork.PreviousOutput_DSTATE) == 40)

```

The following table describes the BullseyeCoverage code annotations that you might see in a code generation report produced by a SIL simulation.

Code feature	Annotation symbol	What happened during simulation
Decision	=>	Decision not executed.
	TF	Decision evaluated both true and false.

Code feature	Annotation symbol	What happened during simulation
	=>T	Decision evaluated true only.
	=>F	Decision evaluated false only.
Function	=>	Function not called.
	Fcn	Function called.
Switch label	=>	Switch command not used.
	Sw	Switch command used.
Constant	k	Decision or condition was constant, which did not allow any variation in coverage.
Condition	=>	Condition not encountered.
	tf	Condition evaluated both true and false.
	=>t	Condition evaluated true only.
	=>f	Condition evaluated false only.
Try	=>	Try block never completed.
	Try	Try block covered.
Catch	=>	Catch block not covered.
	Cat	Catch block covered.

## Related Examples

- “Configure SIL and PIL Code Coverage” on page 39-3
- “View Code Coverage Information at the End of SIL or PIL Simulations” on page 39-5
- “Trace Model Objects to Generated Code” on page 33-8
- “Trace Code to Model Objects Using Hyperlinks” on page 33-6
- “Collect Code Coverage Metrics”

## More About

- “Code Coverage in SIL and PIL Simulations” on page 39-2

## Code Coverage Tool Support

Embedded Coder code coverage provides the following support for the BullseyeCoverage and LDRA Testbed tools.

Operating system	BullseyeCoverage		LDRA Testbed	
	Version supported	Compiler supported	Version supported	Compiler supported
Windows	8.4.23	Microsoft Visual C++ (MSVC)	9.4.6	<ul style="list-style-type: none"> <li>• Microsoft Visual C++ (MSVC)</li> <li>• LCC</li> <li>• MinGW</li> </ul>
Linux	8.4.19	gcc	9.4.6	gcc
Mac	Not supported		Not supported	

### More About

- “Code Coverage in SIL and PIL Simulations” on page 39-2
- “Select and Configure Compiler or IDE”

# Code Coverage for PIL

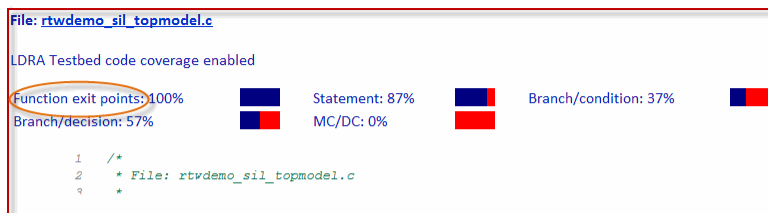
## PIL Support for LDRA Testbed

The target connectivity API supports code coverage with LDRA Testbed for top-model and Model block PIL.

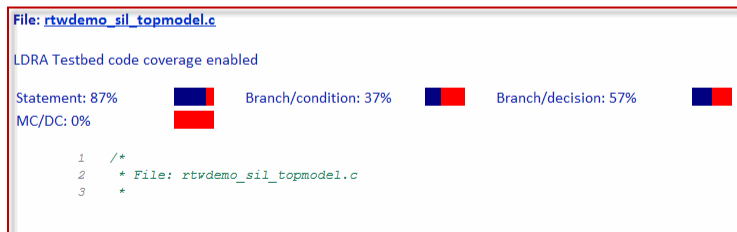
For LDRA Testbed version 9.1.1, MathWorks instrumentation files are located in the LDRA Testbed installation folder, for example:

- C:\LDRA\_Toolsuite\Compiler\_spec\MathWorks\MathWorks\_Cinstr.DAT
- C:\LDRA\_Toolsuite\Compiler\_spec\MathWorks\MathWorks\_CPPINSTR.DAT

There are minor differences in the code coverage information collected during SIL and PIL simulations. In particular, with PIL, the software does not explicitly show function exit point coverage. However, you can infer the coverage of function exit points by examining statement coverage.



SIL



PIL

## **PIL Support for BullseyeCoverage**

Code coverage with BullseyeCoverage is available for top-model and Model block PIL provided your PIL application can write directly to the host file system. Your target for the PIL application must provide `fopen` and `fread` access to the host file system.

If code coverage is not available when you run the PIL application on your target hardware, you might be able to collect code coverage measurements by running the PIL application on an instruction set simulator that supports direct file I/O with the host file system.

### **More About**

- “Code Coverage in SIL and PIL Simulations” on page 39-2



## Tips and Limitations

### Right-Click Subsystem Build Unsupported for Code Coverage

The software does not support right-click builds for subsystems if a code coverage tool is specified.

### BullseyeCoverage License Wait

When you build your model, you might have to wait for a BullseyeCoverage license. If you want to see information about the wait, before you build your model, select **Configuration Parameters > All Parameters > Verbose build**.

### Current Working Folder Cannot be UNC Path

If your MATLAB current working folder is a Universal Naming Convention (UNC) path, code coverage fails.

### Characters in matlabroot and File Path

If `matlabroot` or the path to your generated files contains a space or the `.` (period) character, code coverage might fail.

### Header Files with Identical Names

Consider a model that is configured for LDRA Testbed code coverage. During the build process, if the software detects two header files with the same name in the folder for generated code, the software generates an error.

### Code Coverage for Source Files in Shared Utility Folders

The software supports code coverage for source files generated in shared utility folders. If you configure code coverage for a model that uses shared utility code generation, when you build the model, you also build all source files in the shared utilities folder with code coverage enabled.

Whenever you build a model, the code coverage settings of the model must be consistent with source files that you previously built in the shared utilities folder. Otherwise, the

software reports that code in the shared utilities folder is inconsistent with the current model configuration and must be rebuilt. For example, if you run a SIL simulation for a model with code coverage enabled and then run a SIL simulation for another model with code coverage disabled, the software must rebuild all source files in the shared utilities folder.

## BullseyeCoverage Behavior with Inline Macros

The BullseyeCoverage tool, by default, does not provide code coverage data for inline macros.

For example, if a model generates a file `slprj/ert/_sharedutils/rt_SATURATE.h` that contains the macro

```
#define rt_SATURATE(sig,ll,ul) (((sig) >= (ul)) ? (ul) : (((sig) <= (ll)) ? (ll) : (sig)) )
```

and the macro is in `sat_ert_rtw/sat.c`, then the coverage report provides a measurement for `sat.c`, but no coverage data for the conditions within the macro `rt_SATURATE`.

To configure the BullseyeCoverage tool to provide code coverage data for inline macros:

- 1 Open the BullseyeCoverage Browser.
- 2 Select **Tools > Options** to open the Options dialog box.
- 3 On the **Build** tab, select the **Instrument macro expansions** check box.
- 4 Click **OK**.
- 5 Rerun your simulation.

Alternatively, you can add the text `-macro` to the BullseyeCoverage configuration file. For more information, go to [www.bullseye.com/help/ref\\_covc.html](http://www.bullseye.com/help/ref_covc.html).

## SIL and PIL Simulations with Open LDRA Testbed

If you enable code coverage with the LDRA Testbed tool, you must verify that the LDRA Testbed GUI is not open when you run your SIL or PIL simulation. If the set name in the LDRA Testbed GUI differs from the set name used by the SIL or PIL simulation, the SIL or PIL simulation fails.

## PIL Zero Coverage LDRA Testbed Annotations

For a PIL simulation with LDRA Testbed code coverage specified, there might be some source files where the recorded coverage is zero. In this case, the software provides summary information indicating that:

- There is coverage to measure.
- The coverage is zero.

You do not see information for individual probes on each line. The displayed summary information has an associated annotation tooltip:

0 out of  $N$  coverage probes were exercised (detailed breakdown unavailable)

## Modify Legacy Code

If you modify legacy code and rerun a SIL or PIL simulation, the legacy code is recompiled. However, the code from the model may be up-to-date. In this case, the code generation report is not updated and does not show the modified legacy code. Instead, the code coverage information for the modified legacy code is displayed with reference to the original legacy code. You must regenerate the report. For more information, see “Limitation”.

## IDE Link Does Not Support LDRA Testbed

When you generate code for IDE Link, you cannot use LDRA Testbed for SIL or PIL code coverage. Specifically, this limitation applies when you use the following settings together:

- **Configuration Parameters > Code Generation > System target file:**  
`idelink_ert.tlc`
- **Configuration Parameters > Code Generation > Verification > Code coverage tool:** LDRA Testbed.



# Embedded IDEs and Embedded Targets



# Getting Started with Embedded Targets

---

## Embedded Coder Supported Hardware

As of this release, Embedded Coder supports the following hardware.

Support Package	Vendor	Earliest Release Available	Last Release Available
Altera SoC	Altera	R2015b	Current
Analog Devices DSPs	Analog Devices	R2015b	Current
ARM Cortex-A Processors	ARM	R2015b	Current
ARM Cortex-M Processors	ARM	R2015b	Current
BeagleBone Black Hardware	BeagleBoard	R2015b	Current
Freescale FRDM-K64F Board	Freescale	R2015b	Current
Freescale FRDM-KL25Z Board	Freescale	R2015b	Current
Green Hills MULTI	Green Hills Software	R2014a	Current
STMicroelectronics STM32F4-Discovery Board	STMicroelectronics	R2015b	Current
Texas Instruments C2000 Processors	Texas Instruments	R2015b	Current
Texas Instruments C2000 F28M3x Concerto Processors	Texas Instruments	R2015b	Current
Texas Instruments C6000 DSPs	Texas Instruments	R2015b	Current
Wind River VxWorks RTOS	Wind River	R2015b	Current
Xilinx Zynq-7000 Platform	Xilinx	R2015b	Current

For a complete list of supported hardware, see [Hardware Support](#).



# Project and Build Configurations for Embedded Targets

---

- “Model Setup” on page 41-2
- “IDE Projects” on page 41-13
- “Makefiles for Software Build Tool Chains” on page 41-15

## Model Setup

### In this section...

“Block Selection” on page 41-2

“Configure Target Hardware Resources” on page 41-3

“Configuration Parameters” on page 41-5

“Model Reference” on page 41-12

### Block Selection

You can create models for targeting the same way you create other Simulink models—by combining standard blocks and C-MEX S-functions.

You can use blocks from the following sources:

- The Embedded Coder Support Packages.
- The Embedded Targets library (`embeddedtargetslib`) in the Embedded Coder product.
- Blocks from the System Toolboxes products
- Custom blocks

Avoid using blocks that do not generate code, including the following blocks.

Block Name/Category	Library	Description
Scope	Simulink, DSP System Toolbox software	Provides oscilloscope view of your output. Do not use the <b>Save data to workspace</b> option on the <b>Data history</b> pane in the Scope Parameters dialog.
To Workspace	Simulink	Return data to your MATLAB workspace.
From Workspace	Simulink	Send data to your model from your MATLAB workspace.
Spectrum Scope	DSP System Toolbox	Compute and display the short-time FFT of a signal. It has internal

Block Name/Category	Library	Description
		buffering that can slow your process without adding value.
To File	Simulink	Send data to a file on your host machine.
From File	Simulink	Get data from a file on your host machine.
Triggered to Workspace	DSP System Toolbox	Send data to your MATLAB workspace.
Signal To Workspace	DSP System Toolbox	Send a signal to your MATLAB workspace.
Signal From Workspace	DSP System Toolbox	Get a signal from your MATLAB workspace.
Triggered Signal From Workspace	DSP System Toolbox	Get a signal from your MATLAB workspace.
To Wave device	DSP System Toolbox	Send data to a .wav device.
From Wave device	DSP System Toolbox	Get data from a .wav device.

## Configure Target Hardware Resources

This topic contains the following subtopics:

- “About Supported IDEs” on page 41-3
- “Configure Parameters Under the Target Hardware Resources Tab” on page 41-4

### About Supported IDEs

This “Configure Target Hardware Resources” on page 41-3 section applies to the following IDEs:

- Analog Devices VisualDSP++®
- Texas Instruments Code Composer Studio™ 3.3
- Texas Instruments Code Composer Studio 4 (makefile generation only)
- Texas Instruments Code Composer Studio 5 (makefile generation only)
- Wind River Diab/GCC (makefile generation only)

## Configure Parameters Under the Target Hardware Resources Tab

Configure the parameters under the Target Hardware Resources tab of your Simulink model for a specific tool chain and target hardware. Doing so updates other parameters in the Configuration Parameters dialog to the default values for the software build tool chain and target hardware you are using.


---

**Note:** The Target Preferences (Removed) block has been removed from the Simulink block libraries for the Embedded Coder and Simulink Coder products.

Parameters in the Target Preferences block have been moved to the Target Hardware Resources tab.

---

To configure your Simulink model for a specific tool chain and target hardware:

- 1 In a Simulink model, open the model Configuration Parameters by:
  - Clicking the gear icon,  

  - Pressing **Ctrl+E** on your keyboard
  - Selecting the **Simulation > Model Configuration Parameters** menu items
- 2 In the Configuration Parameters dialog, click **Code Generation**, and then click “+” next to Code Generation. This action displays the sub-panes under Code Generation.
- 3 On the Code Generation pane, change **System target file** to `idmlink_ert.tlc` or `idmlink_grt.tlc`.

The dialog displays a **Coder Target** pane under the Code Generation pane.

- 4 Select the **Coder Target** pane.
- 5 Select the **Target Hardware Resources** tab.
- 6 Set the following parameters to match the tool chain and target hardware you are using:
  - **IDE/Tool Chain**
  - **Board**
  - **Processor**

- 7 Review the other parameters under the **Target Hardware Resources** tab.
- 8 Click **Apply**, and save the changes to your model.

## Configuration Parameters

- “What are Configuration Parameters?” on page 41-5
- “Setting Model Configuration Parameters” on page 41-5

### What are Configuration Parameters?

To see the model Configuration Parameters, open the **Configuration Parameters** dialog. You can do this in the model editor by selecting **Simulation > Model Configuration Parameters**, or by pressing **Ctrl+E** on your keyboard.

The **Configuration Parameters** dialog specifies the values for a model's active *configuration set*. These parameters determine the type of solver used, the import and export settings, and other values that determine how the model runs.

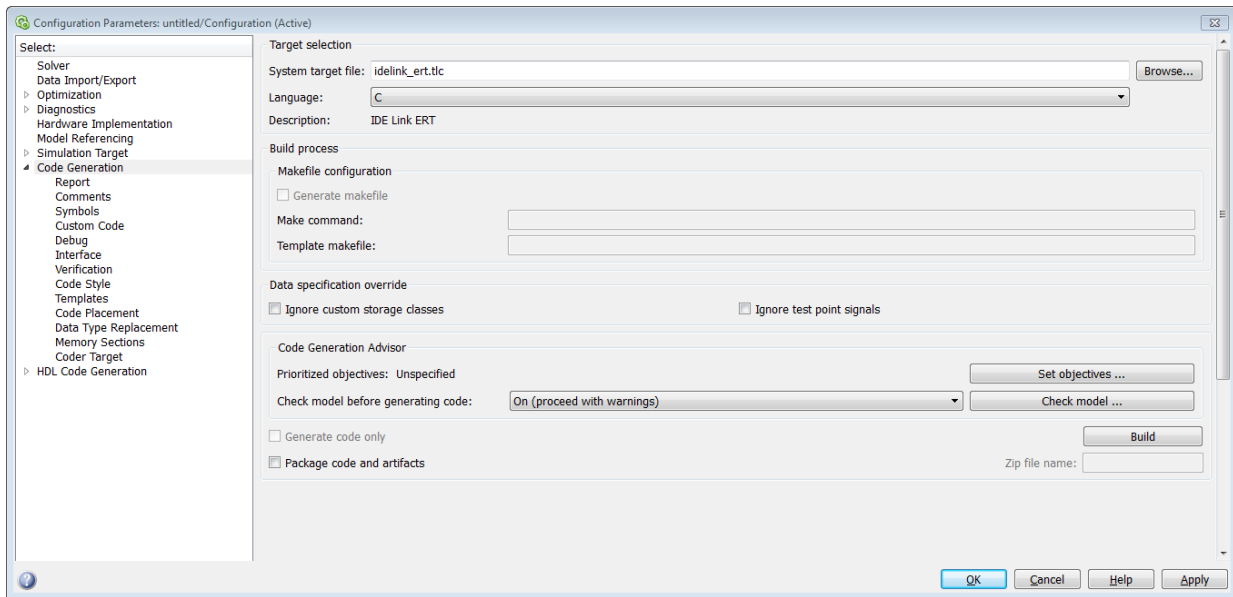
### Setting Model Configuration Parameters

To set the Configuration Parameters to the right values for you to generate code from your model, see “Configure Parameters Under the Target Hardware Resources Tab” on page 41-4. This action initializes the model Configuration Parameters to the right default values for you to generate code. You can then use the Configuration Parameters dialog to make further modifications to the values. You can generate buildable code using these default values.

The following subsections provide a quick overview of the panes and parameters with which you are most likely to interact.

#### Code Generation Pane

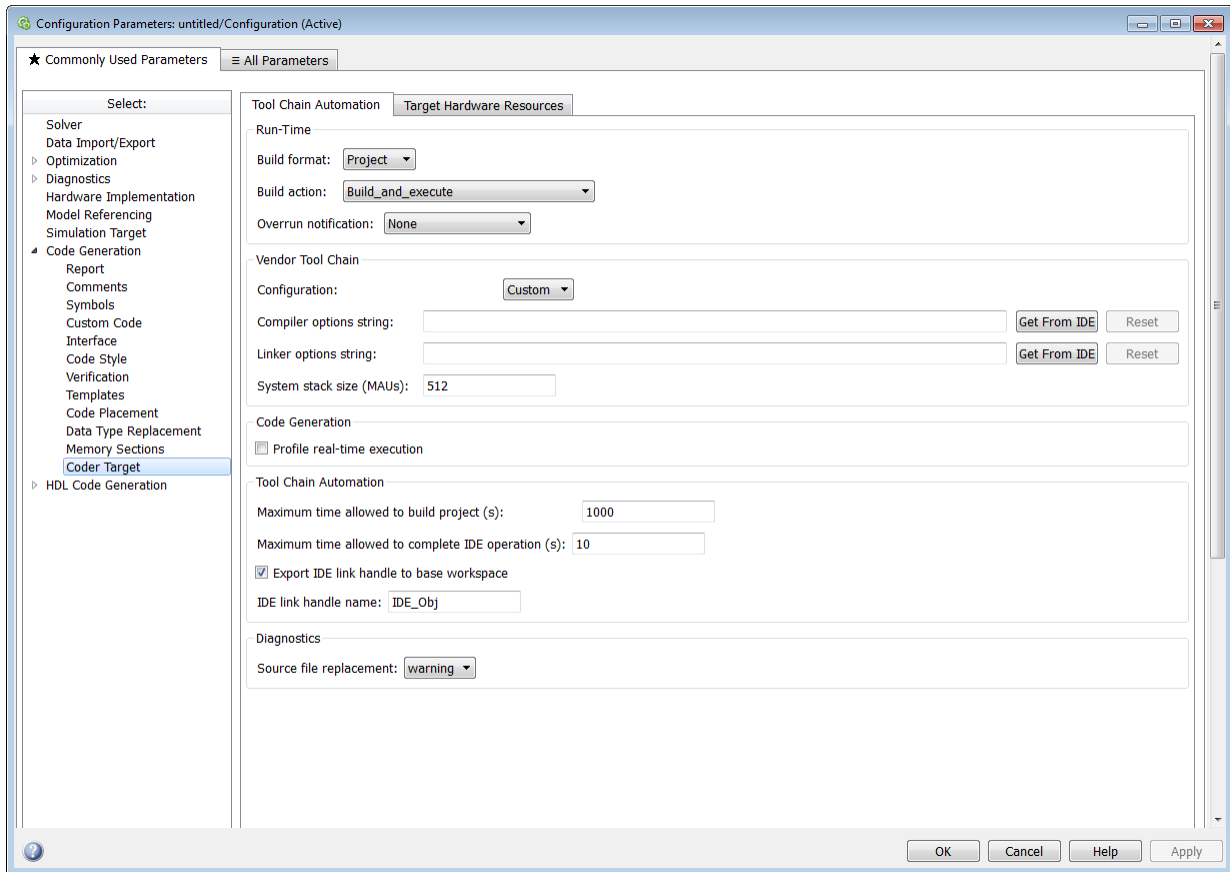
When you set **System target file** to `idmlink_ert.tlc` or `idmlink_grt.tlc`, the dialog adds an **Coder Target** pane to the list of panes under **Code Generation**.



Leave **Language** set to C. The `idelink_ert.tlc` and `idelink_grt.tlc` system target files do not support C++ code generation.

For more information, see “Code Generation Pane: General”

## Coder Target Pane Parameters



The Coder Target entry provides options in these areas:

- **Run-Time** — Set options for run-time operations, like the build action
- **Vendor Tool Chain** — Set compiler, linker, and system stack size options
- **Code Generation** — Configure your code generation requirements
- **Link Automation** — Export an IDE link handle object, such as `IDE_Obj`, to your MATLAB workspace
- **Diagnostics** — Determine how the code generation process responds when you use source code replacement in the **Custom Code** pane.

For more information, see Code Generation Pane: Coder Target.

**Build format**

Select **Project** to create an IDE project, or select **Makefile** to create a makefile build script.

**Build action**

Your selection for **Build action** determines what happens when you press **Ctrl+B**. Your selection tells Simulink Coder software when to stop the code generation and build process.

To run your model on the processor, select **Build\_and\_execute**. This selection is the default build action.

The actions are cumulative—each action performs an additional step relative to the preceding action on the list.

If you set **Build format** to **Project**, select one of the following options:

- **Create\_project** — Directs Simulink Coder software to start the IDE and populate a new project with the files from the build process. This option offers a convenient way to build projects in the IDE.
- **Archive\_library** — Directs Simulink Coder software to create an archive library for this model. Use this option when you plan to use the model in a model reference application. Model reference requires that you archive your the IDE projects for models that you use in model referencing.
- **Build** — Builds the executable file, but does not download the file to the target hardware.
- **Build\_and\_execute** — Directs Simulink Coder software to build, download, and run your generated code as an executable on your target hardware.
- **Create\_processor\_in\_the\_loop\_project** — Directs code generation process to create PIL algorithm object code as part of the project build. This option requires an Embedded Coder license.

If you set **Build format** to **Makefile**, select one of the following options:

- **Create\_makefile** — Creates a makefile.
- **Archive\_library** — Creates a makefile and the generated output will be an archive library.



- **Build** — Creates a makefile and an executable.
- **Build\_and\_execute** — Creates a makefile and an executable. Then it evaluates the `execute` instruction in the current configuration.

### Overrun notification

To enable the overrun indicator, choose one of three ways for the target to respond to an overrun condition in your model:

- **None** — Ignore overruns encountered while running the model.
- **Print\_message** — When the target encounters an overrun condition, it prints a message to the standard output device, `stdout`.
- **Call\_custom\_function** — Respond to overrun conditions by calling the custom function you identify in **Function name**.

### Function name

When you select `Call_custom_function` from the **Overrun notification** list, you enable this option. Enter the name of the function the target should use to notify you that an overrun condition occurred. The function must exist in your code on the target hardware.

### Configuration

The **Configuration** parameter defines sets of build options that apply to the files generated from your model.

The **Release** and **Debug** option apply build settings that are defined by your compiler. For more information, refer to your compiler documentation.

**Custom** has the same default values as **Release**, but:

- Leaves **Compiler options string** empty.

### Compiler options string

To determine the degree of optimization provided by the optimizing compiler, enter the optimization level to apply to files in your project. For details about the compiler options, refer to your IDE documentation. When you create new projects, the coder product does not set optimization flags.

With Texas Instruments Code Composer Studio 3.3 and Analog Devices VisualDSP++, the user interface displays **Get From IDE** and **Reset** buttons next to this parameter. If

you have an active project open in the IDE, you can click **Get From IDE** to import the compiler option setting from the current project in the IDE. To reset the compiler option to the default value, click **Reset**.

### **Linker options string**

To specify the options provided by the linker during link time, you enter the linker options as a string. For details about the linker options, refer to your IDE documentation. When you create new projects, the coder product does not set linker options.

With Texas Instruments Code Composer Studio 3.3 and Analog Devices VisualDSP++, the user interface displays **Get From IDE** and **Reset** buttons next to this parameter. If you have an active project open in the IDE, you can click **Get From IDE** to import the linker options string from the current project in the IDE. To clear the linker options, click **Reset**.

### **System stack size (MAUs)**

Enter the amount of memory that is available for allocating stack data, measured in minimum addressable units (MAU). Block output buffers are placed on the stack until the stack memory is fully allocated. After that, the output buffers go in global memory. An MAU is typically 1 byte, but its size can vary by target hardware.

This parameter is used in targets to allocate the stack size for the generated application. For example, with embedded processors that are not running an operating system, this parameter determines the total stack space that can be used for the application. For operating systems, this value specifies the stack space allocated per thread.

This parameter also applies to the “Maximum stack size (bytes)” parameter, located in the Optimization > Signals and Parameters pane.

### **System heap size (MAUs)**

Set the default heap size that the target hardware reserves for dynamic memory allocation.

The target hardware uses this heap for functions like printf() and system services code.

The following IDEs use this parameter:

- Analog Devices VisualDSP++
- Wind River Diab/GCC (makefile generation only)

### **Profile real-time execution**

To enable the real-time execution profile capability, select **Profile real-time execution**. With this selected, the build process instruments your code to provide performance profiling at the task level or for atomic subsystems. When you run your code, the executed code reports the profiling information in an HTML report.

### **Link Automation**

When you build a model for a target, the coder product automatically creates or uses an existing *IDE link handle object* (named `IDE_Obj`, by default) to connect to your IDE.

Although `IDE_Obj` is a handle for a specific instance of the IDE, it also contains information about the IDE instance to which it refers, such as the target the IDE accesses. In this pane, the **Export IDE link handle to base workspace** option lets you instruct the coder product to export the object to your MATLAB workspace, giving it the name you assign in **IDE link handle name**.

You can also use the IDE link handle object to interact with the IDE using IDE Automation Interface commands.

### **Maximum time allowed to build project (s)**

Specifies how long the software waits for the IDE to build the software.

### **Maximum time allowed to complete IDE operation (s)**

Specifies how long the software waits for IDE functions, such as `read` or `write`, to return completion messages. If you do not specify a timeout, the default value is 10 seconds.

### **Export IDE link handle to base workspace**

Directs the software to export the `IDE_Obj` object to your MATLAB workspace.

### **IDE link handle name**

Specifies the name of the `IDE_Obj` object that the build process creates.

### **Source file replacement**

Selects the diagnostic action to take if the software detects conflicts when you replace source code with custom code. The diagnostic message responds to both source file replacement in the Configuration Parameters under Code Generation > Coder Target parameters and under Code Generation > Custom Code.

The following settings define the messages you see and how the code generation process responds:

- **none** — Does not generate warnings or errors when it finds conflicts.
- **warning** — Displays a warning. **warn** is the default value.
- **error** — Terminates the build process and displays an error message that identifies which file has the problem and suggests how to resolve it.

The build operation continues if you select **warning** and the software detects custom code replacement problems. You see warning messages as the build progresses.

Select **error** the first time you build your project after you specify custom code to use. The error messages can help you diagnose problems with your custom code replacement files. Use **none** when the replacement process works and you do not want to see multiple messages during your build.

## Model Reference

The `idelink_ert.tlc` and `idelink_grt.tlc` system target files provide support for generating code from models that use Model Reference. A referenced model will generate an archive library.

To enable Model Reference builds:

- 1 Open your referenced model.
- 2 Select Simulation > Model Configuration Parameters from the model menus.
- 3 From the list of panes under **Code Generation**, choose **Coder Target**.
- 4 In the right pane, under Run-Time, select `Archive_library` from the **Build action** list.

If your top-model uses a reference model that does not have the **Build action** set to `Archive_library`, the build process automatically changes the **Build action** to `Archive_library` and issues a warning about the change.

### Configuration Parameters in Reference Models

Use the same Coder Target pane settings in Configuration Parameters for the models in the model hierarchy.

## IDE Projects

### In this section...

“Support for Third Party Products” on page 41-13  
“Code Generation and Build” on page 41-13

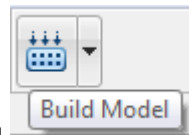
### Support for Third Party Products

For more information about support for third-party IDEs and targets, see:

- Supported and Compatible Compilers
- Hardware Support

### Code Generation and Build

#### Building Your Model



In your model, click **Build Model**. The software performs the actions you selected for **Build action** in the model Configuration Parameters, under Code Generation > Coder Target.

#### IDE Project Generator Features

The *IDE Project Generator* component provides or supports the following features for developing IDE projects and generating code:

- Automatically create IDE projects for your generated code during the code generation process.
- Customize code generation using options in the model Configuration Parameters.
- Configure the automatic project build process.
- Automatically download and run your generated projects on your target hardware.

#### IDE Link Handle Objects

IDE Project Generator automatically creates and uses an IDE link handle object to communicate with your IDE and target hardware.

To create the IDE link handle object, IDE Project Generator uses one of the following constructor functions:

- `adivdsp` for Analog Devices VisualDSP++
- `ticcs` for Texas Instruments Code Composer Studio

For a command line example of how to use a constructor function, see the corresponding reference page for each function.

# Makefiles for Software Build Tool Chains

## In this section...

- “What is the XMakefile Feature” on page 41-15
- “Using Makefiles to Generate and Build Software” on page 41-17
- “Making an XMakefile Configuration Operational” on page 41-20
- “Creating a New XMakefile Configuration” on page 41-20
- “XMakefile User Configuration dialog” on page 41-26

## What is the XMakefile Feature

- “Overview” on page 41-15
- “Available XMakefile Configurations” on page 41-15
- “Feature Support” on page 41-17

### Overview

You can use makefiles instead of IDE projects during the automated software build process. This approach is described in “Using Makefiles to Generate and Build Software” on page 41-17.

The XMakefile feature lets you choose the *configuration* of a specific software build tool chain to use during the automated build process. The configuration contains paths and settings for your make utility, compiler, linker, archiver, pre-build, post-build, and execute tools.

You can also create a new configuration for a new tool chain, as described in “Creating a New XMakefile Configuration” on page 41-20.

Your requirements for specific features may determine whether you choose makefiles or IDE projects. See “Feature Support” on page 41-17.

### Available XMakefile Configurations

The following list describes the configurations in the XMakefile dialog that this product supports:

- `adivdsp_blackfin`: Analog Devices VisualDSP++ & Analog Devices Blackfin®

- `adivdsp_sharc`: Analog Devices VisualDSP++ & Analog Devices SHARC®
- `adivdsp_tigersharc`: Analog Devices VisualDSP++ & Analog Devices TigerSHARC®
- `gcc_target`: GNU Compiler Collection & Host Operating System or Embedded Operating System
- `ticcs_c2000_ccsv3`: Texas Instruments Code Composer Studio 3 & Texas Instruments C2000
- `ticcs_c2000_ccsv4`: Texas Instruments Code Composer Studio 4 & Texas Instruments C2000
- `ticcs_c2000_ccsv5`: Texas Instruments Code Composer Studio 5.1 & Texas Instruments C2000
- `ticcs_c5500_ccsv3`: Texas Instruments Code Composer Studio 3 & Texas Instruments C5500
- `ticcs_c5500_ccsv4`: Texas Instruments Code Composer Studio 4 & Texas Instruments C5500
- `ticcs_c5500_ccsv5`: Texas Instruments Code Composer Studio 5.1 & Texas Instruments C5500
- `ticcs_c6000_ccsv3`: Texas Instruments Code Composer Studio 3 & Texas Instruments C6000
- `ticcs_c6000_ccsv4`: Texas Instruments Code Composer Studio 4 & Texas Instruments C6000
- `ticcs_c6000_ccsv5`: Texas Instruments Code Composer Studio 5.1 & Texas Instruments C6000
- `ticcs_c6000_dspbios_ccsv3`: Texas Instruments Code Composer Studio 3 & Texas Instruments DSP/BIOS on C6000
- `ticcs_c6000_dspbios_ccsv4`: Texas Instruments Code Composer Studio 4 & Texas Instruments DSP/BIOS on C6000
- `ticcs_c6000_dspbios_ccsv5`: Texas Instruments Code Composer Studio 5.1 & Texas Instruments DSP/BIOS on C6000
- `wrsdiab_arm9_vxworks67_rtp`: Wind River Systems DIAB Compiler & ARM 9 & VxWorks 6.7 & real-time process applications
- `wrsdiab_arm9_vxworks67_rtp_so`: Wind River Systems DIAB Compiler & ARM 9 & VxWorks 6.7 & real-time process applications with shared object
- `wrsdiab_hostsim_vxworks67_rtp`: Wind River Systems DIAB Compiler & VxWorks Host Simulator & VxWorks 6.7 & real-time process applications



- `wrsdiab_hostsim_vxworks67_rtp_so`: Wind River Systems DIAB Compiler & VxWorks Host Simulator & VxWorks 6.7 & real-time process applications with shared object
- `wrsdiab_hostsim_vxworks68_rtp`: Wind River Systems DIAB Compiler & VxWorks Host Simulator & VxWorks 6.8 & real-time process applications
- `wrsdiab_hostsim_vxworks68_rtp_so`: Wind River Systems DIAB Compiler & VxWorks Host Simulator & VxWorks 6.8 & real-time process applications with shared object
- `wrsgnu_arm9_vxworks67_rtp`: Wind River Systems GNU Compiler & VxWorks Host Simulator & VxWorks 6.7 & real-time process applications
- `wrsgnu_hostsim_vxworks67_rtp`: Wind River Systems GNU Compiler & VxWorks Host Simulator & VxWorks 6.7 & real-time process applications with shared object
- `wrsgnu_hostsim_vxworks68_rtp`: Wind River Systems GNU Compiler & VxWorks Host Simulator & VxWorks 6.8 & real-time process applications with shared object
- `xilinx_ise_14_x`: Xilinx ISE Design Suite & ARM Cortex-A9 running Linux on Xilinx Zynq<sup>®</sup>-7000 platform

For more information about supported versions of third-party software, see “Support for Third Party Products” on page 41-13

### Feature Support

With makefiles, you cannot use features that rely on direct communications between your MathWorks software and third-party IDEs.

You cannot use the following features with makefiles:

- IDE Project Generation
- IDE Automation Interface
- IDE debugger communications during Processor-in-the-loop (PIL) simulation

## Using Makefiles to Generate and Build Software

### Configuring Your Model to Use Makefiles

Update your model Configuration Parameters to use a makefile instead of an IDE when you build software from the model:

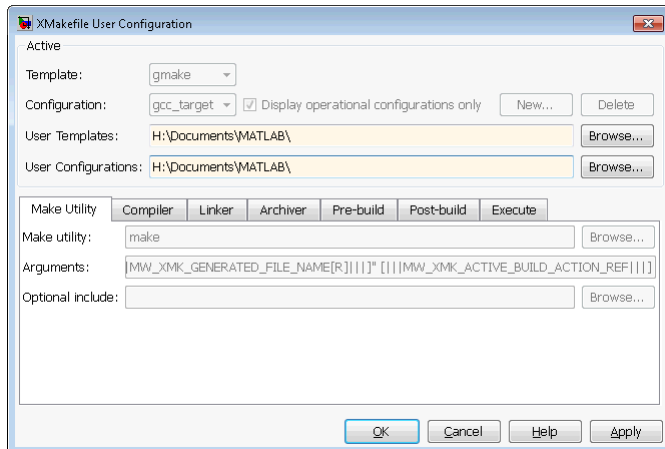
- 1 Configure your model for your IDE, tool chain, and target hardware, as described in “Configure Target Hardware Resources” on page 41-3.

- 2 In the Configuration Parameters dialog, under the **Code Generation** tab, select **Coder Target**.
- 3 Set **Build format** to **Makefile**. For more information, see “Build format” on page 41-8.
- 4 Set **Build action** to **Build\_and\_execute**. For more information, see “Build action” on page 41-8.

## Choosing an XMakefile Configuration

Configure how to generate makefiles:

- 1 Enter `xmakefilesetup` on the MATLAB Command Window. The software opens an XMakefile User Configuration dialog.



- 2 Set the **Template** parameter to the option that matches the **Configuration** parameter.

---

**Note:** In most cases, the only option for **Template** is **gmake**. However, if you have installed a Support Package, **Template** can have multiple options.

---

- 3 For **Configuration**, select the option that describes your software build toolchain and target platform. Click **Apply**.

---

**Note:** Changing some elements of the XMakefile dialog disables other elements until you apply the changes. Click **Apply** or **OK** after changing:

---

- **Template**
  - **Configurations**
  - **User Templates**
  - **User Configurations**
  - **Tool Directories**
- 

**Note:** With the XMakefile User Configuration dialog, if you have an Embedded Coder license and do not have a Simulink Coder license, the **Configuration** list includes two unsupported options: `gcc_target` or `msvs_host`. Disregard those two configurations. Choose one of the other configurations.

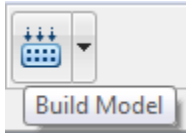
---

Things to consider while setting **Configuration**:

- Selecting **Display operational configurations only** hides configurations that contain incomplete or invalid information. For a configuration to be operational, the vendor tool chain must be installed, and the configuration must have the valid paths for each component of the vendor tool chain. For more information, see “Making an XMakefile Configuration Operational” on page 41-20.
- To display the configurations, including non-operational configurations, clear **Display operational configurations only**.
- The list of configurations can include non-editable configurations defined in the software and editable configurations defined by you.
- To create a new editable configuration, use the **New** button.
- For more information, see “XMakefile User Configuration dialog” on page 41-26.

### Building Your Model

In your model, click **Build Model**.



This action creates a makefile and performs the other actions you specified in **Build action**.

By default, this process outputs files in the <builddir>/<buildconfiguration> folder. For example, in `model_name/CustomMW`.

## Making an XMakefile Configuration Operational

When the XMakefile utility starts, it checks each configuration file to verify that the specified paths for the vendor tool chain are valid. If the paths are not valid, the configuration is non-operational. Typically, the cause of this problem is a difference between the path in the configuration and the actual path of the vendor toolchain.

To make a configuration operational:

- 1 Clear **Display operational configurations only** to display non-operational configurations.
- 2 Select the non-operational configuration from the **Configuration** options.
- 3 When you click **Apply**, a new dialog prompts you for the folder path of the missing resources the configuration requires.

Use mapped network drives instead of UNC paths to specify directory locations. Using UNC paths with compilers that do not support them causes build errors.

## Creating a New XMakefile Configuration

- “Overview” on page 41-20
- “Create a Configuration” on page 41-21
- “Modify the Configuration” on page 41-22
- “Test the Configuration” on page 41-24

### Overview

This example shows you how to add support for a software development toolchain to the XMakefile utility. This example uses the Intel Compiler and an IDE.

---

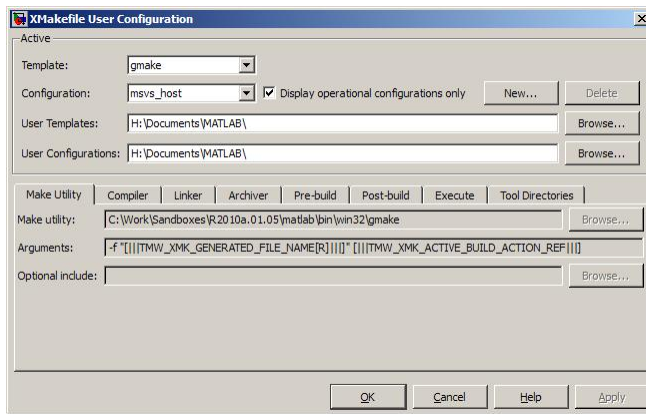
**Note:** To specify directory locations, use mapped network drives instead of UNC paths. UNC paths cause build errors with compilers that do not support them.

---

## Create a Configuration

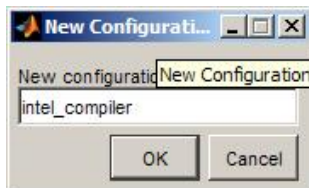
When you click **New**, the new configuration inherits values and behavior from the current configuration. To create a configuration for the Intel Compiler, clone a configuration from one of these configurations: `montavista_arm` and `gcc_target`.

Open the XMakefile User Configuration UI by typing `xmakefilesetup` at the MATLAB prompt. This action displays the following dialog.

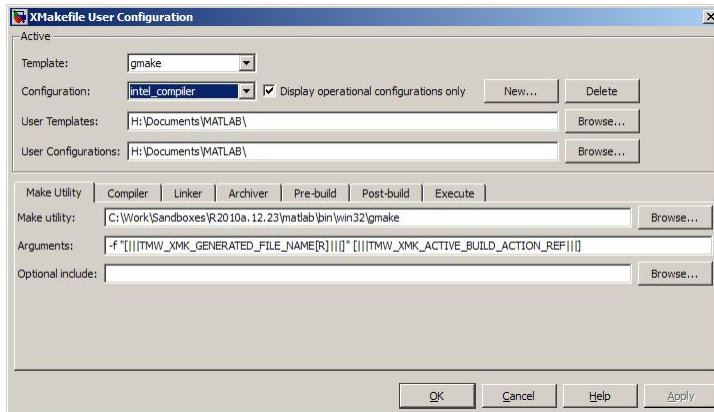


Select an existing configuration, such as `montavista_arm` or `gcc_target`. Click the **New** button.

A pop-up dialog prompts you for the name of the new configuration. Enter `intel_compiler` and click **OK**.



The dialog displays a new configuration called `intel_compiler`, based on the previous configuration.

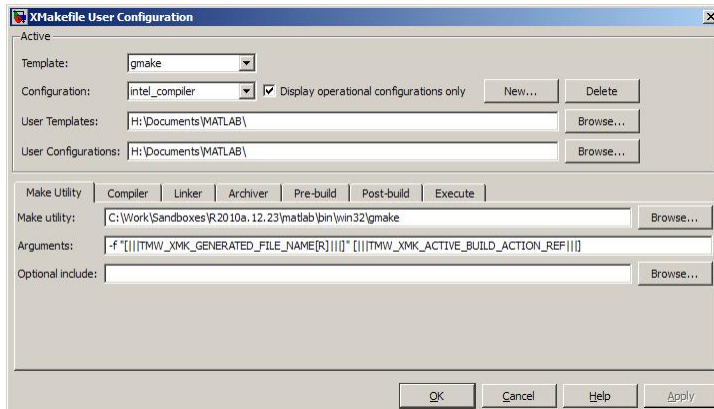


## Modify the Configuration

Adjust the compiler, linker, and archiver settings of the newly created configuration. This example assumes the location of the Intel compiler is `C:\Program Files\Intel\Compiler\`.

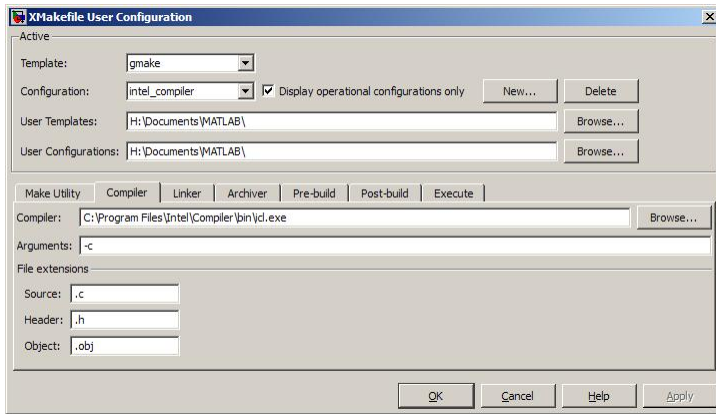
## Make Utility

You do not need to make changes. This configuration uses the `gmake` tool that ships with MATLAB.



## Compiler

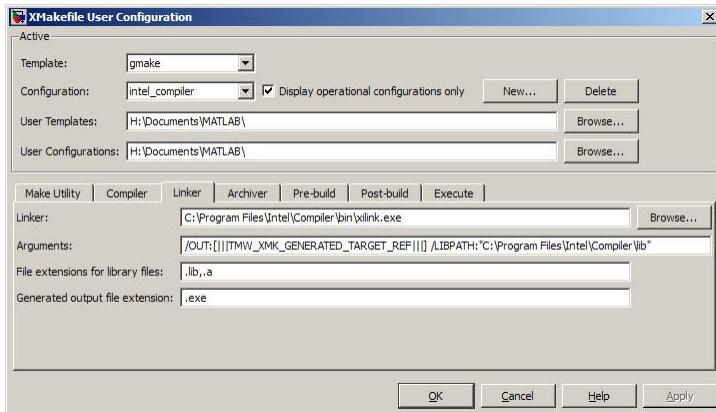
For **Compiler**, enter the location of `icl.exe` in the Intel installation.



## Linker

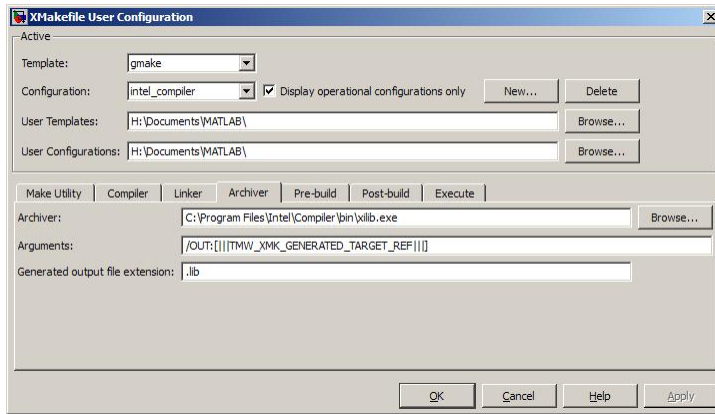
For **Linker**, enter the location of the linker executable, xilink.exe.

For **Arguments**, add the /LIBPATH path to the Intel libraries.



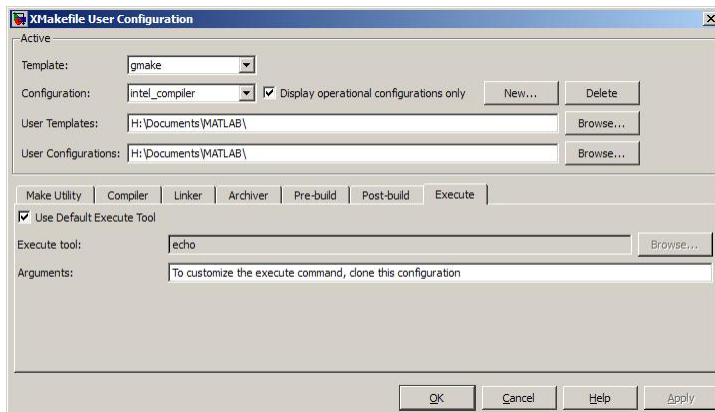
## Archiver

For **Archiver**, enter the location of the archiver, xilib.exe. Confirm that **File extensions for library files** includes **.lib**.



## Other tabs

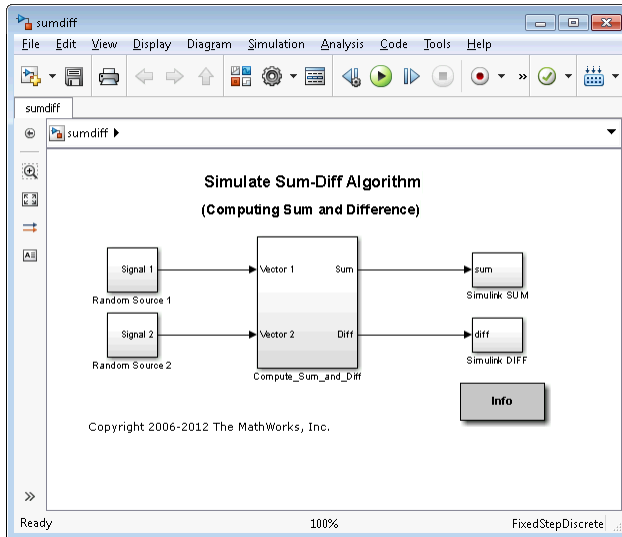
For this example, ignore the remaining tabs. In other circumstances, you can use them to configure additional build actions. In a later step of this example, you will configure the software to automatically build and run the generated code.



## Test the Configuration

Open the “sumdiff” model by entering `sumdiff` on the MATLAB prompt.





Configure the `sumdiff` model for use with an IDE. Follow the steps in “Configure Target Hardware Resources” on page 41-3, set the **IDE/Tool Chain** parameter, set **Board** to Custom, and **Processor** to Intel x86/Pentium.

On the Tool Chain Automation page, set **Operating System** to None or select Windows. Click **OK**.

Open the Configuration Parameters for the `sumdiff` model by pressing **Ctrl+E**. Set **Build format** to Makefile and **Build action** to Build\_and\_execute.

Save the model to a temporary location, such as `C:\Temp\IntelTest\`.

Set that location as a Current Folder by typing `cd C:\temp\IntelTest\` at the MATLAB prompt.

Build the model by pressing **Ctrl+B**. The MATLAB Command Window displays something like:

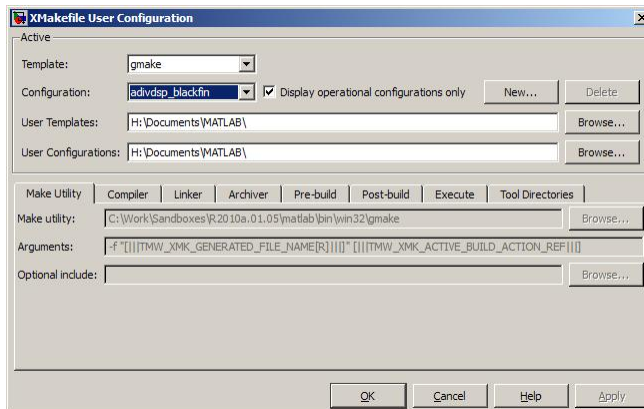
```
### TLC code generation complete.
### Creating HTML report file sumdiff_codegen_rpt.html
### Creating project: c:\temp\IntelTest\sumdiff_idenameide\sumdiff.mk
### Project creation done.
### Building project...
### Build done.
### Downloading program: c:\temp\IntelTest\sumdiff_idenameide\sumdiff
### Download done.
```

A command window comes up showing the running model. Terminate the generated executable by pressing **Ctrl+C**.

## XMakefile User Configuration dialog

- “Active” on page 41-26
- “Make Utility” on page 41-28
- “Compiler” on page 41-28
- “Linker” on page 41-29
- “Archiver” on page 41-30
- “Pre-build” on page 41-30
- “Post-build” on page 41-31
- “Execute” on page 41-31
- “Tool Directories” on page 41-32

### Active



### Template

Set the **Template** parameter to the option that matches the **Configuration** parameter.

---

**Note:** In most cases, the only option for **Template** is **gmake**. However, if you have installed a Support Package, **Template** can have multiple options.

---

The template defines the syntax rules for writing the contents of the makefile or buildfile. The default template is `gmake`, which works with the GNU make utility.

To add templates to this parameter, save them as `.mkt` files to the location specified by the **User Templates** parameter. For more information, see “User Templates” on page 41-28.

### **Configuration**

Select the configuration that best describes your toolchain and target hardware.

You cannot edit or delete the configurations provided by MathWorks. You can, however, edit and delete the configurations that you create.

Use the **New** button to create an editable copy of the currently selected configuration.

Use the **Delete** button to delete a configuration you created.

---

**Note:** You cannot edit or delete the configurations provided by MathWorks.

---

---

**Note:** Use mapped network drives instead of UNC paths to specify directory locations. Using UNC paths with compilers that do not support them causes build errors.

---

### **Display operational configurations only**

When you open the XMakefile User Configuration dialog, the software verifies that each configuration provided by MathWorks contains valid paths to the executable files it uses. If the paths are valid, the configuration is operational. If the paths are not valid, the configuration is not operational.

This setting only applies to configurations provided by MathWorks, not configurations you create.

To display valid configurations, select **Display operational configurations only**.

To display the configurations, including non-operational configurations, clear **Display operational configurations only**.

For more information, see “Making an XMakefile Configuration Operational” on page 41-20.

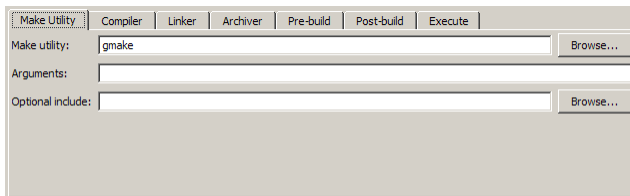
## User Templates

Set the path of the folder to which you can add template files. Saving templates files with the .mkt extension to this folder adds them to the **Templates** options.

## User Configurations

Set the location of configuration files you create with the **New** button.

## Make Utility



The screenshot shows a dialog box titled "Make Utility" with several tabs: "Make Utility", "Compiler", "Linker", "Archiver", "Pre-build", "Post-build", and "Execute". The "Make Utility" tab is active. It contains three input fields: "Make utility:" with the value "gmake" and a "Browse..." button; "Arguments:" which is empty; and "Optional include:" with a "Browse..." button.

### Make utility

Set the path and filename of the make utility executable.

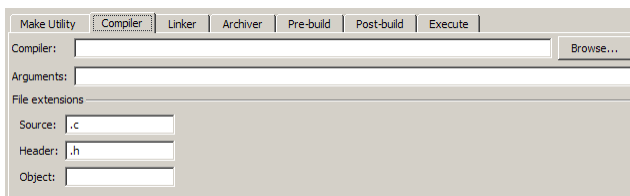
### Arguments

Define the command-line arguments to pass to the make utility. For more information, consult the third-party documentation for your make utility.

### Optional include

Set the path and file name of an optional makefile to include.

## Compiler



The screenshot shows a dialog box titled "Compiler" with several tabs: "Make Utility", "Compiler", "Linker", "Archiver", "Pre-build", "Post-build", and "Execute". The "Compiler" tab is active. It contains four input fields: "Compiler:" with a "Browse..." button; "Arguments:" which is empty; "File extensions:" which is a section header; and three sub-input fields: "Source:" with the value ".c", "Header:" with the value ".h", and "Object:" which is empty.

### Compiler

Set the path and file name of the compiler executable.

**Arguments**

Define the command-line arguments to pass to the compiler. For more information, consult the third-party documentation for your compiler.

**Source**

Define the file name extension for the source files. Use commas to separate multiple file extensions.

**Header**

Define the file name extension for the header files. Use commas to separate multiple file extensions.

**Object**

Define the file name extension for the object files.

**Linker**

The screenshot shows a configuration window with the following fields:

- Linker:** An empty text box with a "Browse..." button to its right.
- Arguments:** An empty text box.
- File extensions for library files:** A text box containing the value ".lib".
- Generated output file extension:** An empty text box.

**Linker**

Set the path and file name of the linker executable.

**Arguments**

Define the command-line arguments to pass to the linker. For more information, consult the third-party documentation for your linker.

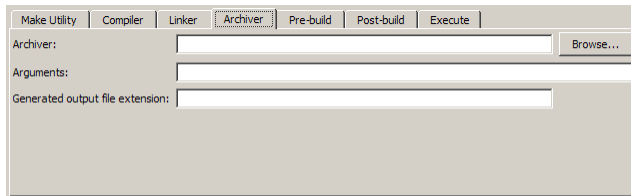
**File extensions for library files**

Define the file name extension for the file library files. Use commas to separate multiple file extensions.

**Generated output file extension**

Define the file name extension for the generated libraries or executables.

## Archiver



The screenshot shows a configuration dialog box with several tabs: 'Make Utility', 'Compiler', 'Linker', 'Archiver', 'Pre-build', 'Post-build', and 'Execute'. The 'Archiver' tab is selected. It contains three input fields: 'Archiver:' with a 'Browse...' button, 'Arguments:', and 'Generated output file extension:'.

### Archiver

Set the path and file name of the archiver executable.

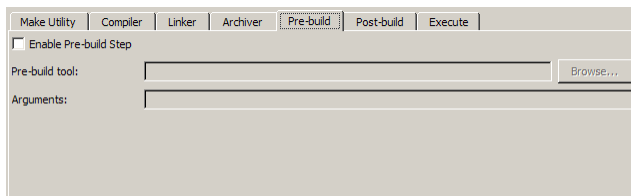
### Arguments

Define the command-line arguments to pass to the archiver. For more information, consult the third-party documentation for your archiver.

### Generated output file extension

Define the file name extension for the generated libraries.

## Pre-build



The screenshot shows a configuration dialog box with several tabs: 'Make Utility', 'Compiler', 'Linker', 'Archiver', 'Pre-build', 'Post-build', and 'Execute'. The 'Pre-build' tab is selected. It contains a checkbox labeled 'Enable Pre-build Step', a 'Pre-build tool:' input field with a 'Browse...' button, and an 'Arguments:' input field.

### Enable Prebuild Step

Select this check box to define a prebuild tool that runs before the compiler.

### Prebuild tool

Set the path and file name of the prebuild tool executable.

### Arguments

Define the command-line arguments to pass to the prebuild tool. For more information, consult the third-party documentation for your prebuild tool.

## Post-build

### Enable Postbuild Step

Select this check box to define a postbuild tool that runs after the compiler or linker.

### Postbuild tool

Set the path and file name of the postbuild tool executable.

### Arguments

Define the command-line arguments to pass to the postbuild tool. For more information, consult the third-party documentation for your postbuild tool.

## Execute

### Use Default Execute Tool

Select this check box to use the generated derivative as the execute tool when the build process is complete. Uncheck it to specify a different tool. The default value, `echo`, simply displays a message that the build process is complete.

---

**Note:** On the Linux operating system, multirate multitasking executables require root privileges to schedule POSIX threads with real-time priority. If you are using makefiles to build multirate multitasking executables on your Linux development system, you

cannot use **Execute tool** to run the executable. Instead, use the Linux command, `sudo`, to run the executable.

---

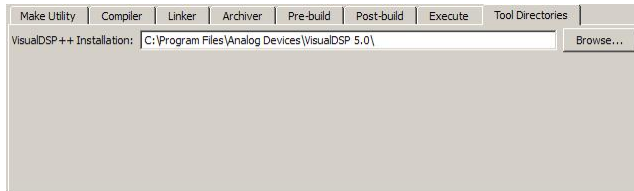
### Execute tool

Set the path and file name of the execute tool executable or built-in command.

### Arguments

Define the command-line arguments to pass to the execute tool. For more information, consult the third-party documentation for your execute tool.

### Tool Directories



### Installation

Use the Tool Directories tab to change the toolchain path of an operational configuration.

For example, if you installed two versions of a vendor build tool in separate folders, you can use the **Installation** path to change which one the configuration uses.



# Verification and Profiling Generated Code

---

- “PIL Simulation for IDE and Toolchain Targets” on page 42-2
- “Code Execution Profiling for IDE and Toolchain Targets” on page 42-19
- “Perform Execution Time Profiling for IDE and Toolchain Targets” on page 42-22
- “Perform Stack Profiling with IDE and Toolchain Targets” on page 42-27

## PIL Simulation for IDE and Toolchain Targets

### In this section...

“Overview” on page 42-2

“PIL Approaches” on page 42-3

“Communications” on page 42-7

“Running Your PIL Application to Perform Simulation and Verification” on page 42-13

“Performing a Model Block PIL Simulation via SCI Using Makefiles” on page 42-13

“Definitions” on page 42-17

“PIL Issues and Limitations” on page 42-17

### Overview

Verification consists broadly of running generated code on a processor and verifying that the code does what you intend. Embedded Coder provides processor-in-the-loop (PIL) simulation to meet this need. PIL compares the numeric output of your model under simulation with the numeric output of your model running as an executable on a target hardware.

With PIL, you run your generated code on a target hardware or instruction set simulator. To verify your generated code, you compare the output of model simulation modes, such as Normal or Accelerator, with the output of the generated code running on the processor. You can switch between simulation and PIL modes. This flexibility allows you to verify the generated code by executing the model as compiled code in the target environment. You can model and test your embedded software component in Simulink and then reuse your regression test suites across simulation and compiled object code. This process avoids the time-consuming process of leaving the Simulink software environment to run tests again on object code compiled for the production hardware.

Embedded Coder supports the following PIL approaches:

- Model block PIL
- Top-model PIL
- PIL block

When you use makefiles with PIL, use the “model block PIL” approach. With makefiles, the other two approaches, “top-model PIL” and “PIL block”, and are not supported.

## PIL Approaches

- “Model Block PIL” on page 42-3
- “Top-Model PIL” on page 42-4
- “PIL Block” on page 42-5

### Model Block PIL

Use model block PIL to:

- Verify code generated for referenced models (model reference code interface).
- Provide a test harness model (or a system model) to generate test vector or stimulus inputs.
- Switch a model block between normal, SIL, or PIL simulation modes.

To perform a model block PIL simulation, start with a top-model that contains a model block. The top-model serves as a test harness, providing inputs and outputs for the model block. The model block references the model you plan to run on target hardware. During PIL simulation, the referenced model runs on the target hardware.

For more information about using the model block, see [Model](#), [Model Variants](#) and [“Model Reference”](#).

By default, your MathWorks software uses the IDE debugger for PIL communications with the target hardware. To achieve faster communications, consider using one of the alternatives presented in [“Communications”](#) on page 42-7.

To use model block PIL:

- 1 Create and share a configuration reference between the top model and the referenced model, as described in [“Share a Configuration for Multiple Models”](#).
- 2 Right-click the **Model** block, and select **ModelReference Parameters**.
- 3 When the software displays the **Function Block Parameters: Model** dialog box, set **Simulation mode** to **Processor-in-the-loop (PIL)** and click **OK**.
- 4 Open the model block.

- 5 In the referenced model (model block) Configuration Parameters (**Ctrl+E**), under **Code Generation > Coder Target**, set **Build action** set to `Archive_library`. This action avoids a warning when you start the simulation.
- 6 Save the changes to both models.
- 7 In the top-model menu bar, select **Simulation > Run**. This action builds the referenced model in the model block, downloads it to your target hardware, and runs the PIL simulation.

---

**Note:** In the top-model Configuration Parameters (**Ctrl+E**), under **Code Generation > Coder Target**, leave **Build action** set to `Build_and_execute`. Do not change **Build action** to `Create_Processor_In_the_Loop_Project`.

---

### Top-Model PIL

Use top-model PIL to:

- Verify code generated for a top-model (standalone code interface).
- Load test vectors or stimulus inputs from the MATLAB workspace.
- Switch the entire model between normal and SIL or PIL simulation modes.

### Setting Model Configuration Parameters to Generate the PIL Application

Configure your model to generate the PIL executable from your model:

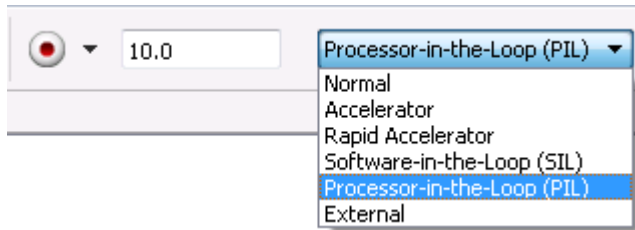
- 1 Configure your model to run on target hardware, as described in “Configure Target Hardware Resources” on page 41-3.
- 2 From the model toolstrip, select **Simulation > Model Configuration Parameters**.
- 3 In Configuration Parameters, select **Code Generation**.
- 4 Set **System Target File** to `idmlink_ert.tlc`.
- 5 From the list of panes under **Code Generation**, choose **Coder Target**.
- 6 Set **Build format** to `Project`.
- 7 Set **Build action** to `Create_processor_in_the_loop_project`.
- 8 Click **OK** to close the Configuration Parameters dialog box.

For more information, see “Code Generation: Coder Target Pane”.

### Running the Top-Model PIL Application

To create a PIL block, perform the following steps:

- 1 In the model toolstrip, set the Simulation mode to Processor-in-the-loop.



- 2 In the model toolstrip, click Run.



A new Simulink Editor opens with the new PIL model block in it. The third-party IDE compiles and links the PIL executable file. Follow the progress of the build process in the MATLAB Command Window.

### PIL Block

Use the PIL block to:

- Verify code generated for a top-model (standalone code interface) or subsystem (right-click build standalone code interface).
- Represent a component running in SIL or PIL mode. The test harness model or a system model provides test vector or stimulus inputs.

### Preparing Your Model to Generate a PIL Block

Start with a model that contains the algorithm blocks you want to verify on the processor as compiled object code. To create a PIL application and PIL block from your algorithm subsystem, follow these steps:

- 1 Identify the algorithm blocks to cosimulate.
- 2 Convert those blocks into an unmasked subsystem in your model.

For information about how to convert your process to a subsystem, refer to *Creating Subsystems* in *Using Simulink* or in the online Help system.

- 3 Open the newly created subsystem.
- 4 Configure your subsystem to run on target hardware, as described in “Configure Target Hardware Resources” on page 41-3.

### Setting Model Configuration Parameters to Generate the PIL Application

After you create your subsystem, set the Configuration Parameters for your model to enable the model to generate a PIL block.

Configure your model to enable it to generate PIL algorithm code and a PIL block from your subsystem:

- 1 From the model menu bar, select **Simulation > Model Configuration Parameters**. This action opens the Configuration Parameters dialog box.
- 2 In the Configuration Parameters dialog box, select **Code Generation**.
- 3 Set **System Target File** to `idlink_ert.tlc`.
- 4 From the list of panes under **Code Generation**, choose **Coder Target**.
- 5 Set **Build format** to **Project**.
- 6 Set **Build action** to `Create_processor_in_the_loop_project`.
- 7 Click **OK** to close the Configuration Parameters dialog box.

For more information, see “Code Generation: Coder Target Pane”.

### Creating the PIL Block from a Subsystem

To create a PIL block, perform the following steps:

- 1 Right-click the masked subsystem in your model and select **C/C++ Code > Build This Subsystem** from the context menu.

A new Simulink Editor opens and the new PIL block appears in it. The third-party IDE compiles and links the PIL executable file.

This step builds the PIL algorithm object code and a PIL block that corresponds to the subsystem, with the same inputs and outputs. Follow the progress of the build process in the MATLAB Command Window.

- 2 Copy the new PIL block from the new model to your model. To simulate the subsystem processes concurrently, place it parallel to your masked subsystem. Otherwise, replace the subsystem with the PIL block.

To see a PIL block in a parallel masked subsystem, search the product help for *Getting Started with Application Development* and select the example that matches your IDE.

---

**Note:** Models can have multiple PIL blocks for different subsystems. They cannot have more than one PIL block for the same subsystem. Including multiple PIL blocks for the same subsystem causes errors and inaccurate results.

---

## Communications

- “TCP/IP” on page 42-8
- “Additional Steps for TI C6000 Processors” on page 42-9
- “Serial Communication Interface (SCI) for Texas Instruments C2000” on page 42-10
- “IDE Debugger” on page 42-11

Choose one of the following communication methods for transferring code and data during PIL simulations:

Method	Speed	Comments
IDE Debugger	Slow	<ul style="list-style-type: none"> <li>• Supports PIL communications with an executable running an embedded target hardware.</li> <li>• Supports the largest number of targets.</li> <li>• Requires a physical connection between host and target hardware.</li> <li>• Only works with builds from IDE projects. Does not work with builds from makefiles.</li> </ul>
TCP/IP	Fast	<ul style="list-style-type: none"> <li>• Supports PIL communications with an executable running on a Linux or Windows host.</li> <li>• Supports embedded targets running Linux, TI DSP/BIOS, and Wind River VxWorks.</li> <li>• Requires network connection between host and target hardware.</li> </ul>

Method	Speed	Comments
		<ul style="list-style-type: none"> <li>• Works with builds from IDE projects and from makefiles.</li> </ul>
Serial Communication Interface (SCI)	Fast	<ul style="list-style-type: none"> <li>• Supports PIL communications with an executable running an embedded target hardware.</li> <li>• Supports TI C2802x, C2803x, 2806x, c280x, C281x, C2834x, C28x3x microcontrollers.</li> <li>• Requires an SCI connection between host and target hardware.</li> <li>• Works with builds from IDE projects and from makefiles.</li> </ul>

## TCP/IP

You can use TCP/IP for PIL communications with target hardware running:

- Linux
- Texas Instruments DSP/BIOS
- Wind River VxWorks

Using TCP/IP for PIL communications is typically faster than using a debugger, particularly for large data sets, such as with video and audio applications.

It also works well when you build an application on a remote Linux target using the `remoteBuild` function.

You can use TCP/IP with the following PIL approaches:

- Top-model PIL
- Model block PIL

TCP/IP does not work with the Subsystem PIL approach.

To enable and configure TCP/IP with PIL:

- 1 Set up a PIL simulation according to the PIL approach you have chosen.
- 2 In the MATLAB Command Window, use `setpref` to specify the IP address of the PIL server (`servername`).



If you are running the PIL server on a remote target, specify the IP address of the target hardware. For example:

```
setpref('MathWorks_Embedded_IDE_Link_PIL_Preferences','servername','144.212.109.114');
```

If you are running PIL server locally, on your host Windows or Linux system, enter 'localhost' instead of an IP address:

```
setpref('MathWorks_Embedded_IDE_Link_PIL_Preferences','servername','localhost');
```

- 3 Specify the TCP/IP port number to use for PIL data communication. Use one of the free ports in your system. For example:

```
setpref('MathWorks_Embedded_IDE_Link_PIL_Preferences','portnum', 17025);
```

- 4 Enable PIL communications over TCP/IP:

```
setpref('MathWorks_Embedded_IDE_Link_PIL_Preferences','enabletcpip', true);
```

To disable PIL communications over TCP/IP, change the value to **false**. This action automatically enables PIL communications over an IDE debugger, if an IDE is available.

- 5 Open the Configuration Parameters in your model. On the Coder Target pane, set the **Operating System** parameter to the operating system your target hardware is running.

---

**Note:** You cannot use TCP/IP for PIL when the value of **Operating System** is **None**.

---

- 6 Regenerate the code or PIL block.

To disable PIL communications over TCP/IP, enter:

```
setpref('MathWorks_Embedded_IDE_Link_PIL_Preferences','enabletcpip', false);
```

### Additional Steps for TI C6000 Processors

Add an IP Config block to the following location in your model:

- For top-model PIL, add it at the top level of your model.
- For model block PIL, add it to the referenced model to which you are pointing.
- For Subsystem PIL, place it in the subsystem.

Configure the IP Config block settings as described in **C6000 IP Config**.

To determine the IP address assigned to the PIL server on the C6000 target:

- 1 Enter an arbitrary IP address the first time you specify the IP address.
- 2 Build and run the code for your model.
- 3 In the CCS command window, observe the actual IP address assigned to the C6000 processor by the DHCP server.
- 4 Enter the actual IP address the second time you specify the IP address.

### **Serial Communication Interface (SCI) for Texas Instruments C2000**

You can use SCI for processor-in-the-loop (PIL) simulations with Texas Instruments C2000 processors that support Serial Communications Interface (SCI). For other targets, configure PIL to communicate through TCP/IP or an IDE debugger.

SCI typically provides faster communications than an IDE debugger, particularly for large data sets.

To enable and configure SCI with PIL:

- 1 Set up a PIL simulation according to the PIL approach you have chosen. For more information, see “PIL Approaches” on page 42-3.
- 2 In the MATLAB Command Window, use `setpref` to specify the Configuration Parameters:
  - a Select the SCI port on your host computer for communicating with the target hardware. For example, to use COM1, enter the following command:

```
setpref('MathWorks_Embedded_IDE_Link_PIL_Preferences', 'COMPort', 'COM1');
```
  - b Set the baud rate of the SCI port. For example, if both the host computer and the target support 11,5200 baud, enter:

```
setpref('MathWorks_Embedded_IDE_Link_PIL_Preferences', 'BaudRate', 115200);
```
  - c Enable PIL communications over SCI:

```
setpref('MathWorks_Embedded_IDE_Link_PIL_Preferences', 'enableserial', true);
```
- 3 Configure the serial communications settings on your host computer to match the preceding values. For example, in Windows 7:
  - a Open the Windows Device Manager. (Press the Windows key on your keyboard and search for “Device Manager”.)
  - b Expand **Ports (COM & LPT1)**.
  - c Right-click the communications port you previously specified in MATLAB, such as **Communications Port (COM1)**, and select **Properties**.

- d** Go to the **Port Settings** tab, and match the value of **Bits per second** with the baud rate you previously specified in MATLAB. This value should match the baud rate you set in MATLAB. For example, 'BaudRate', 115200.
- 4** Regenerate the code or PIL block.

Note: In serial PIL simulation, the changes that you make to the BaudRate or COMPort parameters in MathWorks\_Embedded\_IDE\_Link\_PIL\_Preferences are not detected, if the following conditions are met:

- You have already built your PIL application.
- You have set the **Configuration Parameters >Model Referencing >Rebuild** option to a value other than **Always**.
- You have not made changes to the model.

To apply your COM port or baudrate changes, either change the value in the **Configuration Parameters >Model Referencing >Rebuild** option to **Always**, or resave the model to force a new build of the PIL application.

To disable PIL communications over SCI, enter:

```
setpref('MathWorks_Embedded_IDE_Link_PIL_Preferences','enableserial',false);
```

---

**Note:** If you change the following parameters while using TCP/IP or serial communication for PIL, the software does not regenerate the PIL and communication code.

- TCP/IP Communication Parameters: **IP Address** and **Port number**
- Serial Communication Parameters: **COM Port** and **BaudRate**

To work around this issue, remove the `slprj` folder, generated code, and the generated MEX file. Then, regenerate the PIL code.

---

See “Performing a Model Block PIL Simulation via SCI Using Makefiles” on page 42-13

## IDE Debugger

To enable PIL communications over an IDE debugger, disable PIL communications over TCP/IP and SCI by entering the following commands:

```
setpref('MathWorks_Embedded_IDE_Link_PIL_Preferences','enabletcpip',false);  
setpref('MathWorks_Embedded_IDE_Link_PIL_Preferences','enableserial',false);
```

Then regenerate the code or PIL block.

Using IDE debugger for PIL communication only works when you build your code from IDE projects. Using IDE debugger for PIL communication does not work with builds from makefiles.

### Configuring Breakpoints

You can use the `setStartApplicationPause` API to set breakpoints in the PIL application on the *first* PIL block simulation. If you do not use the `setStartApplicationPause` API, you can configure breakpoints after the initial run. The breakpoints remain active for subsequent runs.

You can enter the following static API method to pause after loading the application and manually configure breakpoints:

```
rtw.connectivity.Launcher.setStartApplicationPause(pauseAmount)
```

About this method:

- This method tells the MATLAB session to pause immediately after the PIL launcher starts the PIL application.
- `pauseAmount` is a pause time in seconds. To disable the pause, enter 0.

When you do not specify a pause, the software displays the following message:

```
### To pause during PIL application start, run: >> rtw.connectivity.Launcher.  
setStartApplicationPause(120)
```

The default pause is 120 sec. You can change this value.

When you specify a pause, a Start PIL Application Pause message box appears and displays following message:

```
Pausing during PIL application start for 120s (click OK to continue).  
To disable this pause, see the hyperlink in the MATLAB command window.
```

- The MATLAB Command Window shows the following text:

```
### To remove the pause during PIL application start,  
run: >> rtw.connectivity.Launcher.setStartApplicationPause(0)
```

where `rtw.connectivity.Launcher.setStartApplicationPause(0)` is a hyperlink.

- The pause times out, or you can clear it early by closing the message box.
- During the pause, you cannot access MATLAB and thus cannot configure breakpoints programmatically via the IDE Automation Interface API.
- For the PIL block, the debugger stays open between simulation runs. When you perform an initial simulation run, you can automatically configure breakpoints via the IDE Automation Interface API before starting the second simulation.

## Running Your PIL Application to Perform Simulation and Verification

After you add PIL block to your model, add the required pause in seconds, using the following command in the MATLAB command prompt:

```
rtw.connectivity.Launcher.setStartApplicationPause(120)
```

Then click **Simulation > Run** or press **Ctrl+T** to run the PIL simulation and view the results.

---

**Note** The pause command is to make sure that the automatic download of PIL completes, before the model starts executing.

---

## Performing a Model Block PIL Simulation via SCI Using Makefiles

This example shows you the complete workflow for performing a processor-in-the loop (PIL) simulation that uses Serial Communications Interface (SCI) for communications.

### Prerequisites

Follow the board vendor's instructions for setting up a Texas Instruments C2000-based board that supports SCI. Connect the board to your host computer using a serial cable.

### Configure Your Model for Target Hardware

- 1 Enter `fuelsys_pil` in MATLAB. This action opens the `fuelsys_pil` model with the title, "Verifying the Fixed-Point Fuel Control System".
- 2 Configure `fuelsys_pil`. Follow the steps in "Configure Target Hardware Resources" on page 41-3 setting:

- **IDE/Tool Chain** to the version of CCS you are using.
  - **Board** to a board that supports using SCI, such as SD F28335 eZdsp.
- 3 Click **Yes**.

If you are working with CCSv3, configure `fuelsys_pil` to use makefiles:

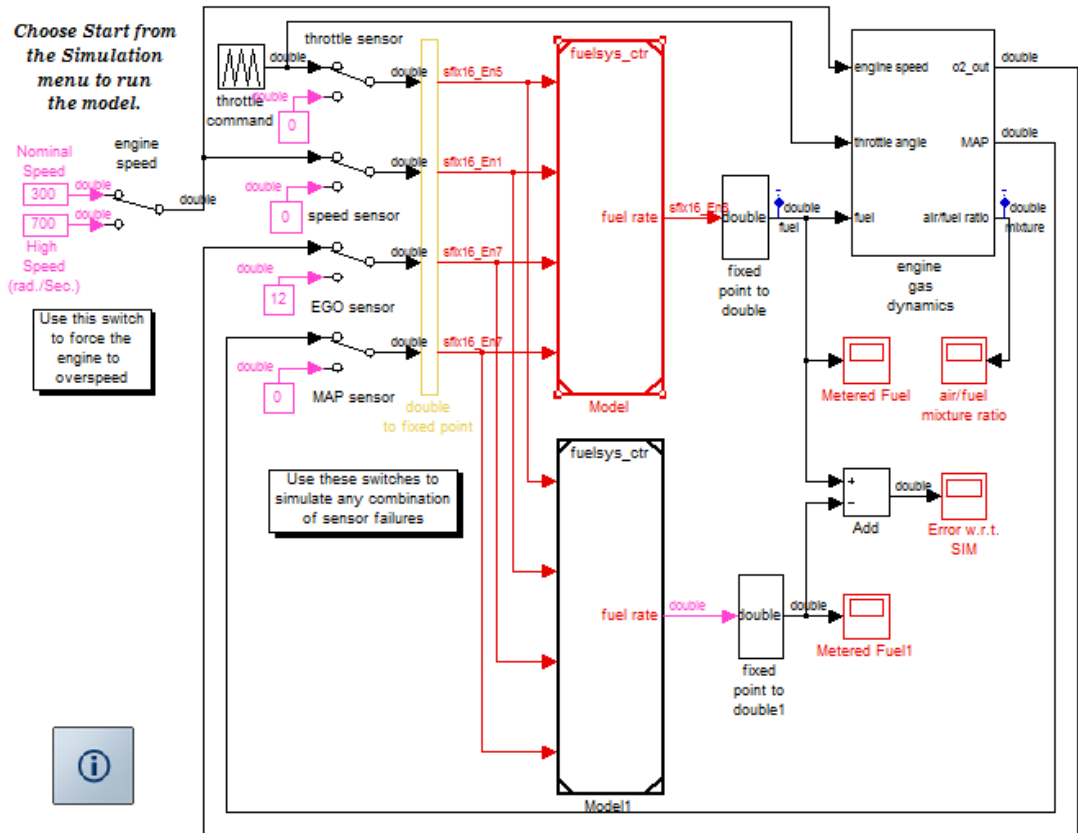
- 1 Select **Simulation > Model Configuration Parameters**.
- 2 In the Configuration Parameters dialog box, expand **Code Generation** and select **Coder Target**.
- 3 On the Coder Target pane, set **Build format** to **Makefile**.

If you are working with CCSv4/5, you do not need to configure the model to use makefiles. Initializing the configuration parameters for CCSv4/5 automatically sets **Build format** to **Makefile**.

### Configure Your Model for the Model Block PIL Approach

- 1 In the `fuelsys_pil`, copy the `fuelsys_ctr` model and paste it into the vacant space below. Connect it to the input/output signals provided.

## Verifying the Fixed-Point Fuel Control System



Copyright 2005-2011 The MathWorks, Inc.

- 2 Right-click the upper **fuelsys\_ctr** model, labeled “Model”, and select **ModelReference Parameters**.
- 3 In the **Function Block Parameters: Model** dialog box, set the **Simulation mode** parameter to **Processor-in-the-loop (PIL)**. Click the **OK** button.
- 4 Open the upper **fuelsys\_ctr** model, labeled “Model”.
- 5 From the menu in the open **fuelsys\_ctr** model, select **Simulation > Model Configuration Parameters** (or press **Ctrl+E**).

- 6 In the Configuration Parameters dialog box, in the **Solver** pane, set the **Type** parameter to **Fixed-step**, and set **Solver** to **ode3 (Bogacki-Shampine)**.
- 7 In the MATLAB Command Window, enter:  

```
set_param('fuelsys_ctr', 'ModelReferenceSymbolNameMessage', 'none')
```
- 8 In the **Code Generation > Interface** pane, clear the Software environment **absolute time** check box.
- 9 In the **Code Generation > Coder Target** pane, set the Run time **Build action** parameter to **Archive library**.
- 10 Save the changes to your model, and leave the model open.
- 11 Open the top model, `fuelsys_pil`. Open the Configuration Parameters dialog box, in the **Solver** pane, verify that the **Type** parameter is set to **Fixed-step**, and reset **Solver** to **ode3 (Bogacki-Shampine)**.

---

**Note:** For information other PIL approaches, see “PIL Approaches” on page 42-3.

---

### Enable and configure SCI

- 1 Use `setpref` to specify the Configuration Parameters in MATLAB :  

```
setpref('MathWorks_Embedded_IDE_Link_PIL_Preferences', 'COMPort', 'COM1');  
setpref('MathWorks_Embedded_IDE_Link_PIL_Preferences', 'BaudRate', 115200);  
setpref('MathWorks_Embedded_IDE_Link_PIL_Preferences', 'enableserial', true);
```
- 2 Configure the serial communications settings on your host computer to match the preceding values. For example, in Windows 7:
  - a Open the Windows Device Manager. (Press the Windows key on your keyboard and search for “Device Manager”.)
  - b Expand **Ports (COM & LPT1)**.
  - c Right-click the communications port you previously specified in MATLAB, such as **Communications Port (COM1)**, and select **Properties**.
  - d Go to the **Port Settings** tab, and match the value of **Bits per second** with the baud rate you previously specified in MATLAB. This value should match the baud rate you set in MATLAB. For example, `'BaudRate', 115200`.

### Configure the Software to Use Makefiles

Set up the `xmakefile` for CCSv4/5 as described in the section “Using Makefiles with Code Composer Studio 4/5” on page 45-5.



## Run the PIL Simulation

- 1 Make sure the SD F28335 eZdsp board is connected to your host computer via serial and USB cables and powered up.
- 2 Add the required pause in seconds, using the following command in the MATLAB command prompt:  

```
run: >> rtw.connectivity.Launcher.setStartApplicationPause(120)
```
- 3 Simulate the `fuelsys_pil` model (press **Ctrl+T**).

## Definitions

### PIL Algorithm

The algorithmic code, which corresponds to a subsystem or portion of a model, to test during the PIL simulation. The PIL algorithm is in compiled object form to enable verification at the object level.

### PIL Application

The executable application that runs on the processor platform. Your coder product creates a PIL application by augmenting your algorithmic code with the PIL execution framework. The PIL execution framework code compiles as part of your embedded application.

The PIL execution framework code includes the `string.h` header file so that the PIL application can use the `memcpy` function. The PIL application uses `memcpy` to exchange data between the Simulink model and the simulation processor.

### PIL Block

When you build a subsystem from a model for PIL, the process creates a PIL block optimized for PIL simulation. When you run the simulation, the PIL block acts as the interface between the model and the PIL application running on the processor. The PIL block inherits the signal names and shape from the source subsystem in your model. Inheritance is convenient for copying the PIL block into the model to replace the original subsystem for simulation.

## PIL Issues and Limitations

Consider the following issues when you work with PIL blocks.

### Constraints

When using PIL in your models, keep in mind the following constraints:

- Models can have multiple PIL blocks for different subsystems. They cannot have more than one PIL block for the same subsystem. Including multiple PIL blocks for the same subsystem causes errors and inaccurate results.
- A model can contain a single model block running PIL mode.
- A model can contain a subsystem PIL block or a model block in PIL mode, but not both.

### Generic PIL Issues

Refer to “SIL and PIL Limitations” on page 36-62 for general information about using the PIL block with embedded link products.

### With Texas Instruments CCS, PIL with DSP/BIOS Enabled Does Not Support System Stack Profiling

Enabling DSP/BIOS™ for Texas Instruments processors disables the stack profiling option. To use stack profiling with PIL, open the **Target Hardware Resources** pane in model Configuration Parameters, and set the **Operating System** parameter to **None**. For help opening the Target Hardware Resources pane, see “Configure Target Hardware Resources” on page 41-3.

### Simulink Coder grt.tlc-Based Targets Not Supported

PIL does not support `grt.tlc` system target files.

To use PIL, set **System target file** in the Configuration Parameters > Code Generation pane to `idelink_ert.tlc`.

## Code Execution Profiling for IDE and Toolchain Targets

### In this section...

“Execution Time Profiling” on page 42-19

“Stack Profiling” on page 42-19

### Execution Time Profiling

You can measure the execution times during a standalone execution or processor-in-the-loop (PIL) simulation. You can generate execution time profiles for synchronous tasks, asynchronous tasks, and atomic subsystems. Use this feature to check whether your code runs in real time on your target hardware. For details, see “Perform Execution Time Profiling for IDE and Toolchain Targets” on page 42-22.

You can use this profiling for generated code in the following cases:

- **Code Generation > System target file** is `ert.tlc` and **Code Generation > Target hardware** is not None, for example, ARM Cortex-A9 (QEMU) or ARM Cortex-M3 (QEMU).
- **Code Generation > System target file** is `idelink_ert.tlc`

The following table provides execution time profiling support information.

Mode	Coder Target > Tool Chain Automation > Build format parameter value
Standalone execution or PIL simulation	Project
PIL simulation	Makefile

### Stack Profiling

With stack profiling, you can determine how generated code uses the processor system stack. Using the `profile` method, you can initialize and test the size and usage of the stack. See “Perform Stack Profiling with IDE and Toolchain Targets” on page 42-27. This information can help you optimize both the size of the stack and how your code uses the stack.

You can use this profiling for generated code in the following cases:

- **Code Generation > System target file** is `ert.tlc` and **Code Generation > Target hardware** is not None, for example, ARM Cortex-A9 (QEMU) or ARM Cortex-M3 (QEMU).
- **Code Generation > System target file** is `idelink_ert.tlc`

---

**Note:** Stack profiling is not supported on embedded targets that run an operating system or RTOS.

---

To provide stack profiling, `profile` writes a known pattern to the addresses in the stack. After you run your application for a while, and then stop your application, `profile` examines the contents of the stack addresses. `profile` counts each address that does not contain the known pattern. The total number of addresses that have been used, compared to the total number of addresses that you allocated, becomes the stack usage profile. This profile process does not determine how often your application changes an address.

You can profile the stack with the manually written code in a project and the code that you generate from a model.

When you use `profile` to initialize and test the stack operation, the software returns a report that contains information about stack size, usage, addresses, and direction. With this information, you can modify your code to use the stack efficiently. The following program listing shows the stack usage results from running an application on a simulator.

```
profile(IDE_Obj, 'stack', 'report')
```

```
Maximum stack usage:
```

```
System Stack: 532/1024 (51.95%) MAUs used.
```

```
      name: System Stack
startAddress: [512    0]
endAddress: [1535   0]
  stackSize: 1024 MAUs
growthDirection: ascending
```

The following table describes the entries in the report.

<b>Report Entry</b>	<b>Units</b>	<b>Description</b>
System Stack	Minimum Addressable Unit (MAU)	Maximum number of MAUs used and the total MAUs allocated for the stack.
name	String for the stack name	Lists the name assigned to the stack.
startAddress	Decimal address and page	Lists the address of the stack start and the memory page.
endAddress	Decimal address and page	Lists the address of the end of the stack and the memory page.
stackSize	Addresses	Reports number of address locations, in MAUs, allocated for the stack.
growthDirection	Not applicable	Reports whether the stack grows from the lower address to the higher address (ascending) or from higher to lower (descending).

## Perform Execution Time Profiling for IDE and Toolchain Targets

### In this section...

“Execution Profiling During Standalone Execution” on page 42-22

“Execution Profiling During PIL Simulation” on page 42-25

### Execution Profiling During Standalone Execution

During standalone execution, instrumentation in the generated code collects execution time samples, which are stored in target hardware memory. After halting target hardware execution, you can use the `profile` function to transfer the execution data from target hardware memory to the MATLAB workspace for viewing and analysis.

You can perform profiling by task or subsystem. A profiling sample represents a task or subsystem execution instance. Each sample requires two memory locations, one for the start time and one for the end time. Therefore, you must specify a buffer size that is twice the number of required profiling samples. Sample collection begins with the start of code execution and ends when the buffer is full.

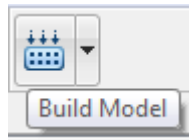
#### Task Profiling

To configure a model for task execution profiling:

- 1 In your model, select **Simulation > Model Configuration Parameters**.
- 2 Select the **Code Generation > Coder Target** pane.
- 3 Set **Build format** to `Project` and set **Build action** to `Build_and_execute`.
- 4 Select **Profile real-time execution**.
- 5 In the **Profile by** list, select **Tasks**.
- 6 Specify **Number of profiling samples to collect**, the size of the buffer that stores execution data. Enter a value that is twice the number of profiling samples you require.
- 7 Click **OK**.

To view the execution profile for your model:

1



Click **Build Model** on the model toolstrip. This action builds, loads, and runs your code on the processor.

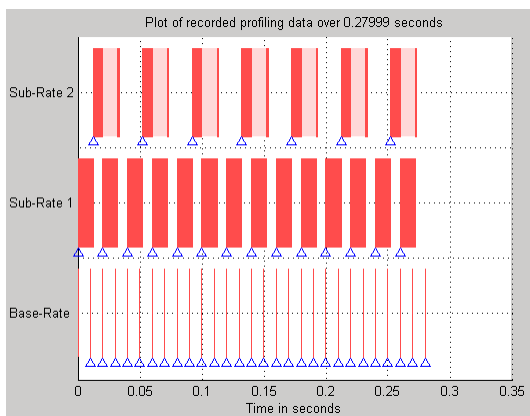
- 2 To stop the running program, select **Debug > Halt** in the IDE or use `IDE_obj.halt` from the MATLAB command line. Gathering profiling data from a running program can yield inaccurate results.
- 3 At the MATLAB command prompt, enter

```
profile(IDE_Obj, 'execution', 'report')
```

to view the MATLAB software graphic of the execution report and the HTML execution report.

For more information about other reporting options, see the product help for the `profile` function.

The following profiling plot is from an application that runs with three rates — the base rate and two slower rates. Gaps in the **Sub-Rate 2** task bars indicate preempted operations.



## Subsystem Profiling

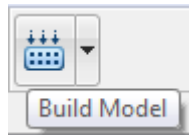
To configure a model for subsystem execution profiling:

- 1 Configure your model for your IDE, tool chain, and target hardware, as described in “Configure Target Hardware Resources” on page 41-3.

- 2 On the **Coder Target** pane, set **Build format** to **Project** and set **Build action** to **Build\_and\_execute**.
- 3 Select **Profile real-time execution**.
- 4 In the **Profile by** list, select **Atomic subsystems**.
- 5 Specify **Number of profiling samples to collect**, the size of the buffer that stores execution data. Enter a value that is twice the number of profiling samples you require.
- 6 Click **OK**.

To view the execution profile for your model:

1



Click **Build Model** on the model toolstrip. This action builds, loads, and runs your code on the processor.

- 2 To stop the running program, select **Debug > Halt** in the IDE or use `IDE_obj.halt` from the MATLAB command line. Gathering profiling data from a running program can yield inaccurate results.
- 3 At the MATLAB command prompt, enter:

```
profile(IDE_Obj, 'execution', 'report')
```

to view the MATLAB software graphic of the execution report and the HTML execution report.

The following profiling plot is from an application with three subsystems — **For Iterator Subsystem**, **For Iterator Subsystem1**, and **Idle Task Subsystem**.





## Execution Profiling During PIL Simulation

During a processor-in-the-loop (PIL) simulation, you can profile execution times of synchronous tasks. The software stores the profile data in a `coder.profile.ExecutionTime` object, located in the MATLAB workspace. After halting the PIL simulation, you can view and analyze the data.

### Gathering Execution Profile Data

- 1 Configure a model for PIL simulation, as described in “PIL Simulation for IDE and Toolchain Targets” on page 42-2.
- 2 In your model, select **Simulation > Model Configuration Parameters**.
- 3 In the Configuration Parameters dialog box, select **Code Generation**, and then **Verification**.
- 4 Select the **Measure task execution time** check box.
- 5 Provide a valid MATLAB variable name in the **Workspace** edit box. The software uses this name when it creates the `coder.profile.ExecutionTime` object.
- 6 Click **OK** to close the Configuration Parameters dialog box.

- 7 Run the PIL simulation, as described in “PIL Simulation for IDE and Toolchain Targets” on page 42-2.

The software creates the `coder.profile.ExecutionTime` object and stores the execution profile data in it.

- 8 Halt the PIL simulation.

### Analyzing the Execution Profile Data

After halting the PIL simulation, you can view or analyze the data in the `coder.profile.ExecutionTime` object. For more information, see:

- “View and Compare Code Execution Times” on page 28-8
- “Analyze Code Execution Data” on page 28-15

Depending on the target, the execution profile data is measured in seconds or timer ticks.

Targets	Units
Texas Instruments C2000, C5000, and C6000 processors with Code Composer Studio IDE	Seconds
Texas Instruments C6000 processors running DSP/BIOS with Code Composer Studio IDE	Timer Ticks
Analog Devices Blackfin, SHARC, and TigerSHARC processors with VisualDSP++ IDE	Timer Ticks
ARM processors running Wind River VxWorks	Timer Ticks

The `coder.profile.ExecutionTime` class has property `TimerTicksPerSecond` for getting and setting the data units. You can use this property on the execution profile data object after halting the PIL simulation. When the data unit is timer ticks, using the `TimerTicksPerSecond` property converts the data units to seconds.

## Perform Stack Profiling with IDE and Toolchain Targets

To profile the system stack operation:

- 1 Load an application.
- 2 Set up the stack to enable profiling.
- 3 Run your application.
- 4 Request the stack profile information.

Follow these steps to profile the stack as your application interacts with it. This particular example uses Texas Instruments Code Composer Studio 3.3. However, you can generalize from this example to another supported IDE.

- 1 Load the application to profile.
- 2 Use the `profile` method with the **setup** input keyword to initialize the stack to a known state.

```
profile(IDE_Obj, 'stack', 'setup')
```

With the **setup** input argument, `profile` writes a known pattern into the addresses that compose the stack.

- 3 Run your application.
- 4 Stop your running application. Stack use results gathered from an application that is running may be inaccurate.
- 5 Use the `profile` method to capture and view the results of profiling the stack.

```
profile(IDE_Obj, 'stack', 'report')
```

The following example shows how to set up and profile the stack. The IDE link handle object, `IDE_Obj`, must exist in your MATLAB workspace and your application must be loaded on your processor. This example comes from a TI C6713 simulator.

```
profile(IDE_Obj, 'stack', 'setup') % Set up processor stack
%by write A5 to the stack addresses.
```

Maximum stack usage:

System Stack: 0/1024 (0%) MAUs used.

```
      name: System Stack
startAddress: [512  0]
endAddress: [1535  0]
  stackSize: 1024 MAUs
```

```
growthDirection: ascending
```

```
run(IDE_Obj)  
halt(IDE_Obj)  
profile(IDE_Obj, 'stack', 'report') % Request stack use report.
```

```
Maximum stack usage:
```

```
System Stack: 356/1024 (34.77%) MAUs used.
```

```
      name: System Stack  
startAddress: [512  0]  
endAddress: [1535  0]  
      stackSize: 1024 MAUs  
growthDirection: ascending
```

# Processor-Specific Optimizations for Embedded Targets

---

## Replace Code for Embedded Targets

### In this section...

“Using a Processor-Specific Code Replacement Library to Optimize Code” on page 43-2

“Process of Determining Optimization Effects Using Real-Time Profiling Capability” on page 43-2

### Using a Processor-Specific Code Replacement Library to Optimize Code

You can optimize the code the code generator produces for a specific processor by configuring the code generator to use a code replacement library (CRL) during code generation. If you have an Embedded Coder license, you can develop and apply custom code replacement libraries.

For more information about replacing code, using code replacement libraries that MathWorks provides, see “What Is Code Replacement?” on page 20-2 and “Replace Code Generated from Simulink Models” on page 20-29. For information about developing code replacement libraries, see “What Is Code Replacement Customization?” on page 24-3 and “Develop a Code Replacement Library” on page 24-26.

### Process of Determining Optimization Effects Using Real-Time Profiling Capability

You can use the real-time profiling capability to examine the results of applying the processor-specific library functions and operators to your generated code. After you select a processor-specific code replacement library, use the real-time execution profiling capability to examine the change in program execution time.

Use the following process to evaluate the effects of applying a processor-specific code replacement library when you generate code:

- 1 Enable real-time profiling in your model. Refer to “Code Execution Profiling”.
- 2 Generate code for your project without specifying a code replacement library (the default **Code replacement library** setting is **NONE**).
- 3 Profile the code, and save the report.
- 4 Rebuild your project using a processor-specific code replacement library.

- 5** Profile the code, and save the second report.
- 6** Compare the profile report from running your application with the processor-specific library selected to the profile results in the first report with no code replacement library selected.

For an example of verifying the code optimization, search help for "Optimizing Embedded Code via Code Replacement Library" and select the example that matches your IDE.





# Working with Texas Instruments Code Composer Studio 3.3 IDE

---

- “Set Up” on page 44-2
- “Code Composer Studio” on page 44-3
- “Getting Started” on page 44-5
- “IDE Automation Interface” on page 44-9
- “IDE Project Generator” on page 44-53
- “Exporting Filter Coefficients from FDATool” on page 44-62
- “Using Makefiles with Code Composer Studio 3.x” on page 44-77
- “Reported Limitations and Tips” on page 44-81
- “Setting Up Code Composer Studio (ert.tlc System Target File)” on page 44-88
- “IDE Link Frequently Asked Question: Why do I get an error when I invoke TICCS?” on page 44-90

## Set Up

Before you use Embedded Coder with Code Composer Studio (CCS IDE) for the first time, use the `checkEnvSetup` function to check for third-party tools and set environment variables. Run `checkEnvSetup` again whenever you configure CCS IDE to interact with a new board or processor, or upgrade the related third-party tools.

To verify that CCSv3 is installed on your machine and has at least one board configured, enter

```
ccsboardinfo
```

in the MATLAB Command Window. With CCS installed and configured, MATLAB software returns information about the boards that CCS recognizes on your machine, in a form similar to the following listing.

Board Num	Board Name	Proc Num	Processor Name	Processor Type
1	C6xxx Simulator (Texas Instrum	.0	6701	TMS320C6701
0	C6x13 DSK (Texas Instruments)	0	CPU	TMS320C6x1x

If MATLAB software does not return information about the boards, open your CCS installation and use the Setup Utility in CCS to configure at least one board.

As a final test, start CCS to verify that it runs. For Embedded Coder to operate with CCS, the CCS IDE must be able to run on its own.

# Code Composer Studio

**In this section...**

“Using Code Composer Studio with Embedded Coder Software” on page 44-3

“Default Project Configuration” on page 44-3

## Using Code Composer Studio with Embedded Coder Software

Texas Instruments (TI) facilitates development of software for TI DSPs by offering Code Composer Studio (CCS) Integrated Development Environment (IDE). Used in combination with Embedded Coder software and Simulink Coder software, CCS provides an integrated environment that, once installed, does not require coding.

Executing code generated from Simulink Coder software on a particular target requires that you tailor the code to the specific hardware target. Target-specific code includes I/O device drivers and interrupt service routines (ISRs). The software must use CCS to compile and link the generated source code in order to load and execute on a TI DSP. To help you to build an executable, Embedded Coder software uses Embedded Coder software to start the code building process within CCS. After you download your executable to your target and run it, the code runs wholly on the target hardware. You can access the running process only from the CCS debugging tools or across a link using Embedded Coder software. A wide range of Texas Instruments DSPs are supported:

- TI's C2000™
- TI's C5000™
- TI's C6000

## Default Project Configuration

CCS offers two standard project configurations, **Release** and **Debug**. Project configurations define sets of project build options. When you specify the build options at the project level, the options apply to the files in your project. For more information about the build options, refer to your TI documentation. The models you build with Embedded Coder software use a custom configuration that provides a third combination of build and optimization settings — **CustomMW**.

### **Default Build Options in the CustomMW Configuration**

The default settings for **CustomMW** are the same as the **Release** project configuration in **CCS**, except for the compiler options.

Your **CCS** documentation provides complete details on the compiler build options. You can change the individual settings or the build configuration within **CCS**.

# Getting Started

**In this section...**

“Overview” on page 44-5

“Verifying Your Code Composer Studio Installation” on page 44-8

## Overview

- “IDE Automation Interface” on page 44-6
- “IDE Project Generator” on page 44-7
- “Verification” on page 44-7

Embedded Coder software enables you to use MATLAB functions to communicate with Code Composer Studio software and with information stored in memory and registers on a processor. With the `ticcs` objects, you can transfer information to and from Code Composer Studio software and with the embedded objects you get information about data and functions stored in your signal processor memory and registers, as well as information about functions in your project.

Embedded Coder lets you build, test, and verify automatically generated code using MATLAB, Simulink, Simulink Coder, and the Code Composer Studio integrated development environment. You can use Embedded Coder to verify code executing within the Code Composer Studio software environment using a model in Simulink software. This processor-in-the-loop testing environment uses code automatically generated from Simulink models by Embedded Coder software. A range of Texas Instruments targets are supported:

- TI's C2000
- TI's C5000
- TI's C6000

With Embedded Coder, you can use MATLAB software and Simulink software to interactively analyze, profile and debug processor-specific code execution behavior within CCS. In this way, Embedded Coder automates deployment of the complete embedded software application and makes it easy for you to assess possible differences between the model simulation and processor code execution results.

Embedded Coder consists of these components:

- IDE Project Generator—add embedded framework code to the C code generated from Simulink models, and package as a complete IDE project
- IDE Automation Interface—use functions in the MATLAB command window to access and manipulate data and files in the IDE and on the processor
- Verification—verify how your programs run on your processor

With Embedded Coder, you create objects that connect MATLAB software to Code Composer Studio software.

---

**Note** Embedded Coder uses objects. You work with them the way you use other MATLAB objects. You can set and get their properties, and use their methods to change them or manipulate them and the IDE to which they refer.

---

The next sections describe briefly the components of Embedded Coder software.

### **IDE Automation Interface**

The IDE Automation Interface component is a collection of methods that use the Code Composer Studio API to communicate between MATLAB software and Code Composer Studio. With the interface, you can do the following:

- Automate complex tasks in the development environment by writing MATLAB software scripts to communicate with the IDE, or debug and analyze interactively in a live MATLAB software session.
- Automate debugging by executing commands from the powerful Code Composer Studio software command language.
- Exchange data between MATLAB software and the processor running in Code Composer Studio software.
- Set breakpoints, step through code, set parameters and retrieve profiling reports.
- Automate project creation, including adding source files, include paths, and preprocessor defines.
- Configure batch building of projects.
- Debug projects and code.
- Execute API Library commands.

The IDE Automation Interface provides an application program interface (API) between MATLAB software and Code Composer Studio. Using the API, you can create new

projects, open projects, transfer data to and from memory on the processor, add files to projects, and debug your code.

### **IDE Project Generator**

The IDE Project Generator component is a collection of methods that use the Code Composer Studio API to create projects in Code Composer Studio and generate code with Embedded Coder. With the interface, you can do the following:

- Automated project-based build process

Automatically create and build projects for code generated by Embedded Coder.

- Customize code generation

Use Embedded Coder with a Embedded Coder system target file (STF) to generate processor-specific and optimized code.

- Customize the build process
- Automate code download and debugging

Rapidly and effortlessly debug generated code in the Code Composer Studio software debugger, using either the instruction set simulator or real hardware.

- Create and build CCS projects from Simulink software models. IDE Project Generator uses Simulink Coder software or Embedded Coder software to build projects that work with C2000™ software, C5000™ software, and C6000™ software processors.
- Highly customized code generation with the system target file `idelink_ert.tlc` and `idelink_grt.tlc` that enable you to use the Configuration Parameters in your model to customize your generated code.
- Automate the process of building and downloading your code to the processor, and running the process on your hardware.

### **Verification**

Verifying your processes and algorithms is an essential part of developing applications. The components of Embedded Coder combine to provide the following verification tools for you to apply as you develop your code:

- Processor-in-the-loop simulation (PIL)
- Execution profiling
- Stack profiling

## Verifying Your Code Composer Studio Installation

To verify that CCS is installed on your machine and has at least one board configured, enter

```
ccsboardinfo
```

in the MATLAB Command Window. With CCS installed and configured, MATLAB software returns information about the boards that CCS recognizes on your machine, in a form similar to the following listing.

Board Num	Board Name	Proc Num	Processor Name	Processor Type
1	C6xxx Simulator (Texas Instrum	.0	6701	TMS320C6701
0	C6x13 DSK (Texas Instruments)	0	CPU	TMS320C6x1x

If MATLAB software does not return information about boards, open your CCS installation and use the Setup Utility in CCS to configure at least one board.

As a final test, start CCS to verify that it runs. For Embedded Coder to operate with CCS, the CCS IDE must be able to run on its own.

Embedded Coder uses objects to create:

- Connections to the Code Composer Studio Integrated Development Environment (CCS IDE)
- Connections to the RTDX™ (RTDX) interface. This object is a subset of the object that refers to the CCS IDE.

Concepts to know about the objects in this toolbox are covered in these sections:

- “Constructing ticcs Objects” on page 44-42
- “ticcs Properties and Property Values” on page 44-43
- “Overloaded Functions for ticcs Objects” on page 44-43

Refer to MATLAB Classes and Objects in your MATLAB documentation for more details on object-oriented programming in MATLAB software.

Many of the objects use COM server features to create handles for working with the objects. Refer to your MATLAB documentation for more information about COM as used by MATLAB software.



# IDE Automation Interface

## In this section...

- “Getting Started with IDE Automation Interface” on page 44-9
- “Getting Started with RTDX” on page 44-25
- “Constructing ticcs Objects” on page 44-42
- “ticcs Properties and Property Values” on page 44-43
- “Overloaded Functions for ticcs Objects” on page 44-43
- “ticcs Object Properties” on page 44-44
- “Function List” on page 44-50

## Getting Started with IDE Automation Interface

- “Introducing the IDE Automation Interface” on page 44-9
- “Selecting Your Processor” on page 44-13
- “Creating and Querying Objects for CCS IDE” on page 44-14
- “Loading Files into CCS” on page 44-16
- “Working with Projects and Data” on page 44-18
- “Closing the Links or Cleaning Up CCS IDE” on page 44-24

## Introducing the IDE Automation Interface

Embedded Coder provides a connection between MATLAB software and a processor in CCS. You can use objects to control and manipulate a signal processing application using the computational power of MATLAB software. This approach can help you debug and develop your application. Another possible use for automation is creating MATLAB scripts that verify and test algorithms that run in their final implementation on your production processor.

Before using the functions available with the objects, you must select a processor because objects you create are specific to a designated processor and a designated instance of CCS IDE. For multiprocessor boards or multiple board configurations of CCS, select the specific processor.

When you have one board with a single processor, the object defaults to the existing processor. For the objects, the simulator counts as a board; if you have both a board and a simulator that CCS recognizes, you must specify the processor explicitly.

To get you started using objects for CCS software, Embedded Coder includes a tutorial that introduces you to working with data and files. As you work through this tutorial, you perform the following tasks that step you through creating and using objects for CCS IDE:

- 1 Select your processor.
- 2 Create and query objects to CCS IDE.
- 3 Use MATLAB software to load files into CCS IDE.
- 4 Work with your CCS IDE project from MATLAB software.
- 5 Close the connections you opened to CCS IDE.

The tutorial provides a working process (a *workflow*) for using Embedded Coder and your signal processing programs to develop programs for a range of Texas Instruments processors.

During this tutorial, you load and run a digital signal processing application on a processor you select. The tutorial shows both writing to memory and reading from memory in the “Working with Projects and Data” on page 44-18” portion of the tutorial.

You can use the `read` and `write` methods, as described in this tutorial, to read and write data to and from your processor.

The tutorial covers the object methods and functions for Embedded Coder. The functions listed in the first table apply to CCS IDE independent of the objects — you do not need an object to use these functions. The methods listed in the second and third table requires a `ticcs` object that you use in the method syntax:

#### Functions for Working With Embedded Coder

The following functions do not require a `ticcs` object as an input argument:

Function	Description
<code>ccsboardinfo</code>	Return information about the boards that CCS IDE recognizes as installed on your PC.
<code>ticcs</code>	Construct an object to communicate with CCS IDE. When you construct the object you specify the processor board and processor.

### Methods for Working with ticcs Objects

The methods in the following table require a `ticcs` object as an input argument:

Method	Description
<code>add</code>	Add files to active project in IDE.
<code>address</code>	Memory address and page value of symbol in IDE.
<code>build</code>	Build or rebuild current project.
<code>display (IDE Object)</code>	Display the properties of an object to CCS IDE and RTDX.
<code>halt</code>	Terminate execution of a process running on the processor.
<code>info</code>	Return information about the processor or information about open RTDX channels.
<code>insert</code>	Insert debug point in file.
<code>isrtdxcapable</code>	Test whether your processor supports RTDX communications.
<code>isvisible</code>	Determine whether IDE appears on desktop.
<code>isrunning</code>	Test whether the processor is executing a process.
<code>list</code>	Return various information listings from Code Composer Studio software.
<code>load</code>	Load program file onto processor.
<code>read</code>	Retrieve data from memory on the processor.
<code>regread</code>	Read values from processor registers.
<code>regwrite</code>	Write data values to registers on processor.
<code>remove</code>	Remove file, project, or breakpoint.
<code>restart</code>	Restore the program counter (PC) to the entry point for the current program.

Method	Description
run	Execute the program loaded on the processor.
visible	Set whether CCS IDE window is visible on the desktop while CCS IDE is running.
write	Write data to memory on the processor.

### Running Code Composer Studio Software on Your Desktop — Visibility

When you create a `ticcs` object, Embedded Coder starts CCS in the background.

When CCS IDE is running in the background, it does not appear on your desktop, in your task bar, or on the **Applications** page in the Task Manager. It does appear as a process, `cc_app.exe`, on the **Processes** tab in Microsoft Windows Task Manager.

You can make the CCS IDE visible with the function `visible`. The function `isvisible` returns the status of the IDE—whether it is visible on your desktop. To close the IDE when it is not visible and MATLAB software is not running, use the **Processes** tab in Microsoft Windows Task Manager and look for `cc_app.exe`.

If a link to CCS IDE exists when you close CCS, the application does not close. Microsoft Windows software moves it to the background (it becomes invisible). Only after you clear links to CCS IDE, or close MATLAB software, does closing CCS IDE unload the application. You can see if CCS IDE is running in the background by checking in the Microsoft Windows Task Manager. When CCS IDE is running, the entry `cc_app.exe` appears in the **Image Name** list on the **Processes** tab.

When you close MATLAB software while CCS IDE is not visible, MATLAB software closes CCS if it started the IDE. This happens because the operating system treats CCS as a subprocess in MATLAB software when CCS is not visible. Having MATLAB software close the invisible IDE when you close MATLAB software prevents CCS from remaining open. You do not need to close it using Microsoft Windows Task Manager.

If CCS IDE is not visible when you open MATLAB software, closing MATLAB software leaves CCS IDE running in an invisible state. MATLAB software leaves CCS IDE in the visibility and operating state in which it finds it.

### Interactive Learning

You have the option of running this tutorial from the MATLAB Command Window or entering the functions as described in the following tutorial sections.

To run the tutorial in MATLAB software, click `run ccstutorial`. This command opens the tutorial in an interactive mode where the tutorial program provides prompts and text descriptions to which you respond to move to the next portion of the lesson. The interactive tutorial covers the same information provided by the following tutorial sections. You can view the tutorial file by clicking `ccstutorial.m`.

### Selecting Your Processor

Links for CCS IDE provides two tools for selecting a board and processor in multiprocessor configurations. One is a command line tool called `ccsboardinfo` which prints a list of the available boards and processors. So that you can use this function in a script, `ccsboardinfo` can return a MATLAB software structure that you use when you want your script to select a board without your help.

---

**Note** The board and processor you select is used throughout the tutorial.

---

- 1 To see a list of the boards and processors installed on your PC, enter the following command at the MATLAB software prompt:

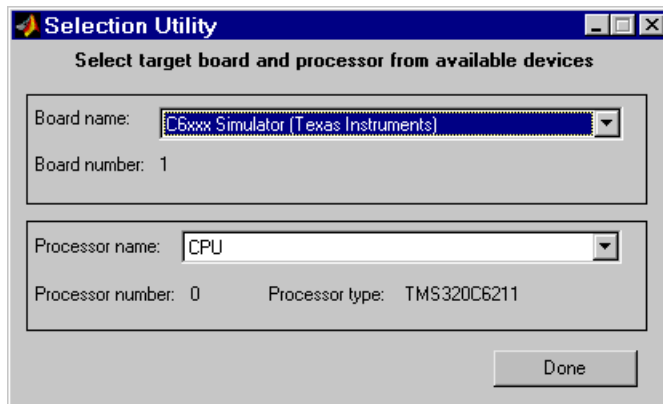
```
ccsboardinfo
```

MATLAB software returns a list that shows you the boards and processors that CCS IDE recognizes as installed on your system.

- 2 To use the Selection Utility, `boardprocsel`, to select a board, enter

```
[boardnum,procnum] = boardprocsel
```

When you use `boardprocsel`, you see a dialog similar to the following. Note that some entries vary depending on your board set.



- 3 Select a board name and processor name from the lists.

You are selecting a board and processor number that identifies your particular processor. When you create the object for CCS IDE in the next section of this tutorial, the selected board and processor become the processor of the object.

- 4 Click **Done** to accept your board and processor selection and close the dialog.

boardnum and procnum now represent the **Board name** and **Processor name** you selected — boardnum = 1 and procnum = 0

### Creating and Querying Objects for CCS IDE

In this tutorial section, you create the connection between MATLAB software and CCS IDE. This connection, or object, is a MATLAB software object that you save as variable `IDE_Obj`.

You use function `ticcs` to create objects. When you create objects, `ticcs` input arguments let you define other object property values, such as the global timeout. Refer to the `ticcs` reference documentation for more information on these input arguments.

Use the generated object `IDE_Obj` to direct actions to your processor. In the following tasks, `IDE_Obj` appears in function syntax that interacts with CCS IDE and the processor:

- 1 Create an object that refers to your selected board and processor. Enter the following command at the prompt.

```
IDE_Obj=ticcs('boardnum',boardnum,'procnum',procnum)
```

If you were to watch closely, and your machine is not too fast, you see Code Composer Studio software appear briefly when you call `tics`. If CCS IDE was not running before you created the new object, CCS starts and runs in the background.

- 2 Enter `visible(IDE_Obj, 1)` to force CCS IDE to be visible on your desktop.

Usually, you need to interact with Code Composer Studio software while you develop your application. The first function in this tutorial, `visible`, controls the state of CCS on your desktop. `visible` accepts Boolean inputs that make CCS either visible on your desktop (input to `visible = 1`) or invisible on your desktop (input to `visible = 0`). For this tutorial, use `visible` to set the CCS IDE visibility to 1.

- 3 Next, enter `display(IDE_Obj)` at the prompt to see the status information.

```
TICCS Object:
  Processor type   : Cxx
  Processor name  : CPU
  Running?        : No
  Board number    : 0
  Processor number : 0
  Default timeout : 10.00 secs

  RTDX channels   : 0
```

Embedded Coder provides methods to read the status of a board and processor:

- `info` — Return a structure of testable board conditions.
- `display` — Print information about the processor.
- `isrunning` — Return the state (running or halted) of the processor.
- `isrtdxcapable` — Return whether the hardware supports RTDX.

- 4 Type `linkinfo = info(IDE_Obj)`.

The `IDE_Obj` link status information provides information about the hardware as follows:

```
linkinfo =
    procname: 'CPU_1'
    isbigendian: 0
    isrtdxcapable: 0
    family: 320
```

```
    subfamily: 103
    revfamily: 11
    targettype: 'simulator'
    siliconrev: 0
        timeout: 10
    boardname: 'Cxxxx Device Simulator'
```

- 5 Check whether the processor is running by entering

```
runstatus = isrunning(IDE_Obj)
```

MATLAB software responds, indicating that the processor is stopped, as follows:

```
runstatus =
```

```
    0
```

- 6 At last, verify that the processor supports RTDX communications by entering

```
usesrtdx = isrtdxcapable(IDE_Obj)
usesrtdx =
```

```
    1
```

### Loading Files into CCS

You have established the connection to a processor and board and have created and queried objects. Next, the processor needs something to do.

In this part of the tutorial, you load the executable code for the processor CPU in CCS IDE. Embedded Coder includes a CCS project file. Through the next tasks in the tutorial, you locate the tutorial project file and load it into CCS IDE. The `open` method directs CCS to load a project file or workspace file.

---

**Note** CCS has workspace and workspace files that are different from the MATLAB workspace files and workspace. Remember to monitor both workspaces.

---

After you have executable code running on your processor, you can exchange data blocks with it. Exchanging data is the purpose of the objects provided by Embedded Coder software.

- 1 To load the project file to your processor, enter the following command at the MATLAB software prompt. `getdemoproject` is a specialized function for loading



Embedded Coder example files. It is not supported as a standard Embedded Coder function.

```
demopjt= getDemoProject(IDE_Obj,'ccstutorial')
demopjt.ProjectFile
ans =
C:\Temp\EmbIDELinkCCDemos_v4.1\ccstutorial\cxx\cxx\ccstut.pjt
demoPjt.DemoDir
ans =
C:\Temp\EmbIDELinkCCDemos_v4.1\ccstutorial\cxx\cxx
```

Your paths may be different if you use a different processor. Note where the software stored the example files on your machine. In general, Embedded Coder software stores the example project files in

EmbIDELinkCCDemos\_v#. #

Embedded Coder creates this folder in a location where you have write permission. There are two locations where Embedded Coder software tries to create the example folder, in the following order:

- a** In a temporary folder on your C drive, such as `C:\temp\`.
  - b** If Embedded Coder software cannot use the `temp` folder, you see a dialog that asks you to select a location to store the examples.
- 2** Enter the following command at the MATLAB command prompt to build the processor executable file in CCS IDE.

```
build(IDE_Obj, 'all', 20)
```

You may get an error related to one or more missing `.lib` files. If you installed CCS IDE in a folder other than the default installation folder, browse in your installation folder to find the missing file or files. Refer to the path in the error message as an indicator of where to find the missing files.

- 3** Change your working folder to the example folder and enter `load(IDE_Obj, 'projectname.out')` to load the processor execution file, where *projectname* is the tutorial you chose, such as `ccstut_67x`.

You have a loaded program file and associated symbol table to the IDE and processor.

- 4** To determine the memory address of the global symbol `ddat`, enter the following command at the prompt:

```
ddata = address(IDE_Obj, 'ddat')
ddata =

    1.0e+009 *
    2.1475      0
```

Your values for `ddata` may be different depending on your processor.

---

**Note** The symbol table is available after you load the program file into the processor, not after you build a program file.

---

- 5 To convert `ddata` to a hexadecimal string that contains the memory address and memory page, enter the following command at the prompt:

```
dec2hex(ddata)
```

MATLAB software displays the following response, where the memory page is `0x00000000` and the address is `0x80000010`.

```
ans =

    80000010
    00000000
```

## Working with Projects and Data

After you load the processor code, you can use Embedded Coder functions to examine and modify data values in the processor.

When you look at the source file listing in the CCS IDE Project view window, there should be a file named `ccstut.c`. Embedded Coder ships this file with the tutorial and includes it in the project.

`ccstut.c` has two global data arrays — `ddat` and `idat` — that you declare and initialize in the source code. You use the functions `read` and `write` to access these processor memory arrays from MATLAB software.

Embedded Coder provides three functions to control processor execution — `run`, `halt`, and `restart`.

- 1 To see these commands, use the following function to add a breakpoint to line 68 of `ccstut.c`.

```
insert(IDE_Obj, 'ccstut.c', 68)
```

Line 68 is

```
printf("Embedded Coder: Tutorial - Memory Modified by Matlab!\n");
```

For information about adding breakpoints to a file, refer to `insert` in the online Help system. Then proceed with the tutorial.

- 2 To see the new functions, try the following functions.

```
halt(IDE_Obj)           % Halt the processor.
restart(IDE_Obj)        % Reset the PC to start of program.
run(IDE_Obj, 'runthalt', 30); % Wait for program execution to stop at
                           % breakpoint (timeout = 30 seconds).
```

When you switch to viewing CCS IDE, you see that your program stopped at the breakpoint you inserted, and the program printed the following messages in the CCS IDE **Stdout** tab. Nothing prints in the MATLAB command window:

```
Embedded Coder: Tutorial - Initialized Memory
Double Data array = 16.3 -2.13 5.1 11.8
Integer Data array = -1-508-647-7000 (call me anytime!)
```

- 3 Before you restart your program (currently stopped at line 68), change some values in memory. Perform one of the following procedures based on your processor.

**C5xxx processor family** — Enter the following functions to see the `read` and `write` functions.

- a Enter `ddatv = read(IDE_Obj, address(IDE_Obj, 'ddat'), 'double', 4)`.

MATLAB software responds with

```
ddatv =
```

```
    16.3000   -2.1300    5.1000   11.8000
```

- b Enter `idatv = read(IDE_Obj, address(IDE_Obj, 'idat'), 'int16', 4)`.

Now MATLAB software responds

```
idatv =
```

```
-1 508 647 7000
```

If you used 8-bit integers (`int8`), the returned values would be incorrect.

```
idatv=read(IDE_Obj,address(IDE_Obj,'idat'),'int8',4)
```

```
idatv =
```

```
1 0 -4 1
```

- c** You can change the values stored in `ddat` by entering  

```
write(IDE_Obj,address(IDE_Obj,'ddat'),double([pi 12.3  
exp(-1)...  
sin(pi/4)]))
```

The `double` argument directs MATLAB software to write the values to the processor as double-precision data.

- d** To change `idat`, enter

```
write(IDE_Obj,address(IDE_Obj,'idat'),int32([1:4]))
```

Here you write the data to the processor as 32-bit integers (convenient for representing phone numbers, for example).

- e** Start the program running again by entering the following command:

```
run(IDE_Obj,'runtohalt',30);
```

The `Stdout` tab in CCS IDE reveals that `ddat` and `idat` contain new values. Next, read those new values back into MATLAB software.

- f** Enter `ddatv = read(IDE_Obj,address(IDE_Obj,'ddat'),'double',4)`.

```
ddatv =
```

```
3.1416 12.3000 0.3679 0.7071
```

`ddatv` contains the values you wrote in step **c**.

- g** Verify that the change to `idatv` occurred by entering the following command at the prompt:

```
idatv = read(IDE_Obj,address(IDE_Obj,'idat'),'int16',4)
```

MATLAB software returns the new values for `idatv`.

```
idatv =
```

```
1 2 3 4
```

- h** Use `restart` to reset the program counter for your program to the beginning. Enter the following command at the prompt:

```
restart(IDE_Obj);
```

**C6xxx processor family** — Enter the following commands to see the `read` and `write` functions.

- a** Enter `ddatv = read(IDE_Obj, address(IDE_Obj, 'ddat'), 'double', 4)`.

MATLAB software responds with

```
ddatv =
```

```
16.3000 -2.1300 5.1000 11.8000
```

- b** Enter `idatv = read(IDE_Obj, address(IDE_Obj, 'idat'), 'int16', 4)`.

MATLAB software responds

```
idatv =
```

```
-1 508 647 7000
```

If you used 8-bit integers (`int8`), the returned values would be incorrect.

```
idatv=read(IDE_Obj, address(IDE_Obj, 'idat'), 'int8', 4)
```

```
idatv =
```

```
1 0 -4 1
```

- c** Change the values stored in `ddat` by entering `write(IDE_Obj, address(IDE_Obj, 'ddat'), double([pi 12.3 exp(-1)... sin(pi/4)]))`

The `double` argument directs MATLAB software to write the values to the processor as double-precision data.

- d** To change `idat`, enter the following command:

```
write(IDE_Obj, address(IDE_Obj, 'idat'), int32([1:4]))
```

In this command, you write the data to the processor as 32-bit integers (convenient for representing phone numbers, for example).

- e** Next, start the program running again by entering the following command:

```
run(IDE_Obj, 'runtohalt', 30);
```

The **Stdout** tab in CCS IDE reveals that `ddat` and `idat` contain new values. Read those new values back into MATLAB software.

- f** Enter `ddatv = read(IDE_Obj, address(IDE_Obj, 'ddat'), 'double', 4)`.

```
ddatv =
```

```
3.1416 12.3000 0.3679 0.7071
```

Verify that `ddatv` contains the values you wrote in step **c**.

- g** Verify that the change to `idatv` occurred by entering the following command:

```
idatv = read(IDE_Obj, address(IDE_Obj, 'idat'), 'int32', 4)
```

MATLAB software returns the new values for `idatv`.

```
idatv =
```

```
1 2 3 4
```

- h** Use `restart` to reset the program counter for your program to the beginning. Enter the following command at the prompt:

```
restart(IDE_Obj);
```

- 4** Embedded Coder offers more functions for reading and writing data to your processor. These functions let you read and write data to the processor registers: `regread` and `regwrite`. They let you change variable values on the processor in real time. The functions behave slightly differently depending on your processor.

Select one of the following procedures to see `regread` and `regwrite` used with your processor.

**C5xxx processor family** — Most registers are memory-mapped and available using `read` and `write`. However, the PC register is not memory mapped. To access this register, use the special functions — `regread` and `regwrite`. The following commands show how to use these functions to read and write to the PC register.

- a** To read the value stored in register PC, enter the following command at the prompt to indicate to MATLAB software the data type to read. The input string `binary` indicates that the PC register contains a value stored as an unsigned binary integer.

```
IDE_Obj.regread('PC','binary')
```

MATLAB software displays

```
ans =
```

```
33824
```

- b** To write a new value to the PC register, enter the following command. This time, the `binary` input argument tells MATLAB software to write the value to the processor as an unsigned binary integer. Notice that you used `hex2dec` to convert the hexadecimal string to decimal.

```
IDE_Obj.regwrite('PC',hex2dec('100'),'binary')
```

- c** Verify that the PC register contains the value you wrote.

```
IDE_Obj.regread('PC','binary')
```

**C6xxx processor family** — `regread` and `regwrite` let you access the processor registers directly. Enter the following commands to get data into and out of the A0 and B2 registers on your processor.

- a** To retrieve the value in register A0 and store it in a variable in your MATLAB workspace. Enter the following command:

```
treg = IDE_Obj.regread('A0','2scomp');
```

`treg` contains the two's complement representation of the value in A0.

- b To retrieve the value in register B2 as an unsigned binary integer, enter the following command:

```
IDE_Obj.regread('B2','binary');
```

- c Next, enter the following command to use `regwrite` to put the value in `treg` into register A2.

```
IDE_Obj.regwrite('A2',treg,'2scomp');
```

CCS IDE reports that A0, B2, and A2 have the values you expect. Select **View > CPU Registers > Core Registers** from the CCS IDE menu bar to list the processor registers.

### Closing the Links or Cleaning Up CCS IDE

Objects that you create in Embedded Coder software have COM handles to CCS. Until you delete these handles, the CCS process (`cc_app.exe` in the Microsoft Windows Task Manager) remains in memory. Closing MATLAB software removes these COM handles, but there may be times when you want to delete the handles without closing the application.

Use `clear` to remove objects from your MATLAB workspace and to delete handles they contain. `clear all` deletes everything in your workspace. To retain your MATLAB software data while deleting objects and handles, use `clear objname`. This applies to IDE link handle objects you created with `ticcs`. To remove the objects created during the tutorial, the tutorial program executes the following command at the prompt:

```
clear cvar cfield uintcvar
```

This tutorial also closes the project in CCS with the following command:

```
close(IDE_Obj,projfile,'project')
```

To delete your link to CCS, enter `clear IDE_Obj` at the prompt.

Your development tutorial using Code Composer Studio IDE is done.

During the tutorial you

- 1 Selected your processor.
- 2 Created and queried links to CCS IDE to get information about the link and the processor.



- 3 Used MATLAB software to load files into CCS IDE, and used MATLAB software to run that file.
- 4 Worked with your CCS IDE project from MATLAB software by reading and writing data to your processor, and changing the data from MATLAB software.
- 5 Created and used the embedded objects to manipulate data in a C-like way.
- 6 Closed the links you opened to CCS IDE.

## Getting Started with RTDX

- “Using RTDX” on page 44-26
- “Creating the ticcs Objects” on page 44-30
- “Configuring Communications Channels” on page 44-32
- “Running the Application” on page 44-33
- “Closing the Connections and Channels or Cleaning Up” on page 44-39
- “Listing Functions” on page 44-41

Texas Instruments Real-Time Data Exchange (RTDX) provides “real-time, continuous visibility into the way target applications operate in the real world. RTDX allows system developers to transfer data between target devices and a host without interfering with the target application.”

You can use RTDX with Embedded Coder software and Code Composer Studio to accelerate development and deployment to Texas Instruments C2000 processors. RTDX helps you test and analyze your processing algorithms in your MATLAB workspace. RTDX lets you interact with your process in real time while it's running on the processor. For example, you can:

- Send and retrieve data from memory on the processor
- Change the operating characteristics of the program
- Make changes to algorithms as required without stopping the program or setting breakpoints in the code

Enabling real-time interaction lets you more easily see your process or algorithm in action, the results as they develop, and the way the process runs.

This tutorial assumes you have Texas Instruments Code Composer Studio software and at least one target development board. You can use the hardware simulator in CCS IDE to run this tutorial.

After you complete the tutorial, you can start using RTDX with your applications and hardware.

---

**Note:** To use RTDX with the XDS100 USB JTAG Emulator and the C28027 chip, add the following line to the linker command file:

```
_RTDX_interrupt_mask = ~0x00000008;
```

---

## Using RTDX

Digital signal processing development efforts begin with an idea for processing data; an application area, such as audio or wireless communications or multimedia computing; and a platform or hardware to host the signal processing. Usually these processing efforts involve applying strategies like signal filtering, compression, and transformation to change data content; or isolate features in data; or transfer data from one form to another or one place to another.

Developers create algorithms they need to accomplish the desired result. After they have the algorithms, they use models and target hardware development tools to test their algorithms, to determine whether the processing achieves the goal, and whether the processing works on the proposed platform.

Embedded Coder and the links for RTDX and CCS IDE ease the job of taking algorithms from the model realm to the real world of the processor on which the algorithm runs.

RTDX and links for CCS IDE provide a communications pathway to manipulate data and processing programs on your processor. RTDX offers real-time data exchange in two directions between MATLAB software and your processor process. Data you send to the processor do little to alter running processes. Plotting data you retrieve from the processor lets you see how your algorithms are performing in real time.

To introduce the techniques and tools available in Embedded Coder for using RTDX, the following procedures use many of the methods in the link software to configure the processor, open and enable channels, send data to the processor, and clean up after you finish your testing. Among the functions covered are:

### Functions From Objects for CCS IDE

Function	Description
<code>ticcs</code>	Create connections to CCS IDE and RTDX.

Function	Description
cd	Change the CCS IDE working folder from MATLAB software.
open	Load program files in CCS IDE.
run	Run processes on the processor.

### Functions From the RTDX Class

Function	Description
close	Close the RTDX links between MATLAB software and your processor.
configure	Determine how many channel buffers to use and set the size of each buffer.
disable	Disable the RTDX links before you close them.
display	Return the properties of an object in formatted layout. When you omit the closing semicolon on a function, <code>disp</code> (a built-in function) provides the default display for the results of the operation.
enable	Enable open channels so you can use them to send and retrieve data from your processor.
isenabled	Determine whether channels are enabled for RTDX communications.
isreadable	Determine whether MATLAB software can read the specified memory location.
iswritable	Determine whether MATLAB software can write to the processor.
msgcount	Determine how many messages are waiting in a channel queue.
open	Open channels in RTDX.
readmat	Read data matrices from the processor into MATLAB software as an array.

Function	Description
readmsg	Read one or more messages from a channel.
writemsg	Write messages to the processor over a channel.

This tutorial provides the following workflow to show you how to use many of the functions in the links. By performing the steps provided, you work through many of the operations yourself. The tutorial follows the general task flow for developing digital signal processing programs through testing with the links for RTDX.

Within this set of tasks, numbers 1, 2, and 4 are fundamental to function syntax that interacts development projects. Whenever you work with MATLAB software and objects for RTDX, you perform the functions and tasks outlined and presented in this tutorial. The differences lie in Task 3. Task 3 is the most important for using Embedded Coder to develop your processing system.

- 1 Create an RTDX link to your desired processor and load the program to the processor.

The projects begin this way. Without the links you cannot load your executable to the processor.

- 2 Configure channels to communicate with the processor.

Creating the links in Task 1 did not open communications to the processor. With the links in place, you open as many channels as you need to support the data transfer for your development work. This task includes configuring channel buffers to hold data when the data rate from the processor exceeds the rate at which MATLAB software can capture the data.

- 3 Run your application on the processor. You use MATLAB software to investigate the results of your running process.
- 4 Close the links to the processor and clean up the links and associated debris left over from your work.

Closing channels and cleaning up the memory and links you created prepares CCS IDE, RTDX, and Embedded Coder for the next time you start development on a project.

This tutorial uses an executable program named `rtdxtutorial_6xevm.out` as your application. When you use the RTDX links and CCS IDE to develop your own

applications, replace `rtdxtutorial_6xevm.out` in Task 3 with the filename and path to your digital signal processing application.

You can view the tutorial file used here by clicking `rtdxtutorial`. To run this tutorial in MATLAB software, click `run rtdxtutorial`.

---

**Note** To be able to open and enable channels over a link to RTDX, the program loaded on your processor must include functions or code that define the channels.

Your C source code might look something like this to create two channels, one to write and one to read.

```
rtdx_CreateInputChannel(ichan); % processor reads from this.  
rtdx_CreateOutputChannel(ochan); % processor writes to this.
```

These are the entries we use in `int16.c` (the source code that generates `rtdxtutorial_6xevm.out` to create the read and write channels.

If you are working with a model in Simulink software and using code generation, use the `To Rtdx` and `From Rtdx` blocks in your model to add the RTDX communications channels to your model and to the executable code on your processor.

---

One more note about this tutorial. Throughout the code we use both the dot notation (direct property referencing) to access functions and link properties and the function form.

For example, use the following command to open and configure `ichan` for write mode.

```
IDE_Obj.rtdx.open('ichan','w');
```

You could use an equivalent syntax, the function form, that does not use direct property referencing.

```
open(IDE_Obj.rtdx,'ichan','w');
```

Or, use

```
open(rx,'ichan','w');
```

if you created an alias `rx` to the RTDX portion of `IDE_Obj`, as shown by the following command:

```
rx = IDE_Obj.rtdx;
```

## Creating the ticcs Objects

With your processing model converted to an executable for your desired processor, you are ready to use the objects to test and run your model on your processor. Embedded Coder and the objects do not distinguish the source of the executable — whether you used Embedded Coder, CCS IDE, or some other development tool to program and compile your model to an executable does not alter the object connections. So long as your `.out` file is acceptable to the processor you select, Embedded Coder provides the connection to the processor.

Before continuing with this tutorial, you must load a valid GEL file to configure the EMIF registers of your processor and perform required processor initialization steps. Default GEL files provided by CCS are stored in `.. \IDE_Obj \gel` in the folder where you installed CCS software. Select **File > Load\_GEL** in CCS IDE to load the default GEL file that matches your processor family, such as `init6x0x.gel` for the Cxxxx processor family, and your configuration.

---

**Note:** If you are performing the steps in this tutorial, create `demoPjt` as described in “Loading Files into CCS” on page 44-16 before continuing.

---

Begin the process of getting your model onto the processor by creating a an object that refers to CCS IDE. Start by clearing function syntax that interacts existing handles and setting echo on so you see functions execute as the program runs:

```
1 clear all; echo on;
```

`clear all` removes debugging breakpoints and resets persistent variables because function breakpoints and persistent variables are cleared whenever the MATLAB file changes or is cleared. Breakpoints within your executable remain after `clear`. Clearing the MATLAB workspace does not alter your executable.

```
2 Now construct the link to your board and processor by entering
```

```
IDE_Obj=ticcs('boardnum',0);
```

`boardnum` defines which board the new link accesses. In this example, `boardnum` is 0. Embedded Coder connects the link to the first, and in this case only, processor on the board. To find the `boardnum` and `procnum` values for the boards and simulators on your system, use `ccsboardinfo`. When you enter the following command at the prompt

ccsboardinfo

- 3 To open and load the processor file, change the path for MATLAB software to be able to find the file.

```
projname = C:\Temp\EmbIDELinkCCDemos_v4.1\rtdxtutorial\cxx\cxxxp\rtdxtut_sim.pjt

outfile = C:\Temp\EmbIDELinkCCDemos_v4.1\rtdxtutorial\cxx\cxxxp\rtdxtut_sim.out

processor_dir = demoPjt.DemoDir

processor_dir = C:\Temp\EmbIDELinkCCDemos_v4.1\rtdxtutorial\cxx\cxxxp

cd(IDE_Obj,processor_dir); % Go to processor directory
cd(IDE_Obj,tgt_dir); % Or IDE_Obj.cd(tgt_dir)
dir(IDE_Obj); % Or IDE_Obj.dir
```

To load the project file to your processor, enter the following commands at the MATLAB software prompt. `getDemoProject` is a specialized function for loading Embedded Coder example files. It is not supported as a standard Embedded Coder function.

```
demoPjt = getDemoProject(IDE_Obj,'ccstutorial');

demoPjt.ProjectFile

ans = C:\Temp\EmbIDELinkCCDemos_v4.1\ccstutorial\cxx\cxxxp\ccstut.pjt

demoPjt.DemoDir

ans = C:\Temp\EmbIDELinkCCDemos_v4.1\ccstutorial\cxx\cxxxp
```

Notice where the example files are stored on your machine. In general, Embedded Coder software stores the example project files in

`EmbIDELinkCCDemos_v#.#`

For example, if you are using version 4.1 of Embedded Coder software, the project examples are stored in `EmbIDELinkCCDemos_v4.1\`. Embedded Coder software creates this folder in a location on your machine where you have write permission. Usually, there are two locations where Embedded Coder software tries to create the example folder, in the order shown.

- a In a temporary folder on the C drive, such as `C:\temp\`.
  - b If Embedded Coder software cannot use the `temp` folder, you see a dialog that asks you to select a location to store the examples.
- 4 You have reset the folder path to find the tutorial file. Now open the `.out` file that matches your processor type.

```
IDE_Obj.open('rtdxtutorial_xxx.out')
```

Because `open` is overloaded for the CCS IDE and RTDX links, this may seem a bit strange. In this syntax, `open` loads your executable file onto the processor identified by `IDE_Obj`. Later in this tutorial, you use `open` with a different syntax to open channels in RTDX.

In the next section, you use the new link to open and enable communications between MATLAB software and your processor.

### Configuring Communications Channels

Communications channels to the processor do not exist until you open and enable them through Embedded Coder and CCS IDE. Opening channels consists of opening and configuring each channel for reading or writing, and enabling the channels.

In the `open` function, you provide the channel names as strings for the channel name property. The channel name you use is not random. The channel name string must match a channel defined in the executable file. If you specify a string that does not identify an existing channel in the executable, the open operation fails.

In this tutorial, two channels exist on the processor — `ichan` and `ochan`. Although the channels are named `ichan` for input channel and `ochan` for output channel, neither channel is configured for input or output until you configure them from MATLAB software or CCS IDE. You could configure `ichan` as the output channel and `ochan` as the input channel. The links would work just the same. For simplicity, the tutorial configures `ichan` for input and `ochan` for output. One more note—reading and writing are defined as seen by the processor. When you write data from MATLAB software, you write to the channel that the processor reads, `ichan` in this case. Conversely, when you read from the processor, you read from `ochan`, the channel that the processor writes to:

- 1 Configure buffers in RTDX to store the data until MATLAB software can read it into your workspace. Often, MATLAB software cannot read data as quickly as the processor can write it to the channel.

```
IDE_Obj.rtdx.configure(1024,4); % define 4 channels of 1024 bytes each
```

Channel buffers are optional. Adding them provides a measure of insurance that data gets from your processor to MATLAB software without getting lost.

- 2 Define one of the channels as a write channel. Use `'ichan'` for the channel name and `'w'` for the mode. Either `'w'` or `'r'` fits here, for write or read.

```
IDE_Obj.rtdx.open('ichan','w');
```

- 3 Now enable the channel you opened.



```
IDE_Obj.rtdx.enable('ichan');
```

- 4 Repeat steps 2 and 3 to prepare a read channel.

```
IDE_Obj.rtdx.open('ochan', 'r');
IDE_Obj.rtdx.enable('ochan');
```

- 5 To use the new channels, enable RTDX by entering

```
IDE_Obj.rtdx.enable;
```

You could do this step before you configure the channels — the order does not matter.

- 6 Reset the global time-out to 20s to provide a little room for error. `ticcs` applies a default timeout value of 10 s. In some cases this may not be enough.

```
IDE_Obj.rtdx.get('timeout')
ans =
    10
IDE_Obj.rtdx.set('timeout', 20); % Reset timeout = 20 seconds
```

- 7 Check that the `timeout` property value is now 20s and that your object has a valid configuration for the rest of the tutorial.

```
IDE_Obj.rtdx
```

```
RTDX Object:
  API version:      1.0
  Default timeout: 20.00 secs
  Open channels:   2
```

## Running the Application

To this point you have been doing common housekeeping functions. You load the processor, configure the communications, and set up other properties you need.

This tutorial shows you some of the Embedded Coder functions you can use to prototype and experiment with your application. To see the RTDX `readmat`, `readmsg`, and `writemsg` functions, you write data to your processor. Then, after the data has been processed, you read data from the processor.

- 1 Restart the program you loaded on the processor. `restart` sets the program counter (PC) to the beginning of the executable code on the processor.

```
IDE_Obj.restart
```

Restarting the processor does not start the program executing. You use `run` to start program execution.

**2** Type `IDE_Obj.run('run');`

Using 'run' for the run mode tells the processor to continue to execute the loaded program continuously until it receives a halt directive. In this mode, control returns to MATLAB software so you can work in MATLAB software while the program runs. Other options for the mode are

- 'runtohalt' — start to execute the program and wait to return control to MATLAB software until the process reaches a breakpoint or execution terminates.
- 'tohalt' — change the state of a running processor to 'runtohalt' and wait to return until the program halts. Use `tohalt` mode to stop the running processor cleanly.

**3** Type the following functions to enable the write channel and verify the change:

```
IDE_Obj.rtdx.enable('ichan');  
IDE_Obj.rtdx.isenabled('ichan')
```

If MATLAB software responds `ans = 0` your channel is not enabled and you cannot proceed with the tutorial. Try to enable the channel again and verify the status.

**4** Write some data to the processor. Check that you can write to the processor, then use `writemsg` to send the data. You do not need to enter the if-test code shown.

```
if IDE_Obj.rtdx.iswritable('ichan'), % Used in a script application.  
    disp('writing to processor...') % Optional to display progress.  
    indata=1:10  
    IDE_Obj.rtdx.writemsg('ichan', int16(indata))  
end % Used in scripts for channel testing.
```

The `if` statement simulates writing the data from within a MATLAB software script. The script uses `iswritable` to check that the input channel is functioning. If `iswritable` returns `0` the script would skip the write and exit the program, or respond in some way. When you are writing or reading data to your processor in a script or MATLAB file, checking the status of the channels can help you avoid errors during execution.

As your application runs you may find it helpful to display progress messages. In this case, the program directed MATLAB software to print a message as it reads the data from the processor by adding the function

```
disp('writing to processor...')
```

Function `IDE_Obj.rtdx.writemsg('ichan', int16(indata))` results in 20 messages stored on the processor. Here's how.

When you write `indata` to the processor, the following code running on the processor takes your input data from `ichan`, adds one to the values and copies the data to memory:

```
while ( !RTDX_isInputEnabled(&ichan) )

{ /* wait for channel enable from MATLAB */
RTDX_read( &ichan, recvd, sizeof(recvd) );
puts("\n\n Read Completed ");

for (j=1; j<=20; j++) {
  for (i=0; i<MAX; i++) {
    recvd[i] +=1;
  }
  while ( !RTDX_isOutputEnabled(&ochan) )
    { /* wait for channel enable from MATLAB */ }
  RTDX_write( &ochan, recvd, sizeof(recvd) );
  while ( RTDX_writing != NULL )
    { /* wait for data xfer INTERRUPT DRIVEN for Cxxxx */ }
}
```

Program `int16_rtdx.c` contains this source code. You can find the file in a folder in the `..\tidemos\rtdxtutorial` folder.

- 5 Type the following to check the number of available messages to read from the processor.

```
num_of_msgs = IDE_Obj.rtdx.msgcount('ochan');
```

`num_of_msgs` should be zero. Using this process to check the amount of data lets you or your program know how much data to expect.

- 6 Type the following to verify that your read channel `ochan` is enabled for communications.

```
IDE_Obj.rtdx.isenabled('ochan')
```

You should get back `ans = 0` — you have not enabled the channel yet.

- 7 Now enable and verify 'ochan'.

```
IDE_Obj.rtdx.enable('ochan');  
IDE_Obj.rtdx.isenabled('ochan')
```

To show that `ochan` is ready, MATLAB software responds `ans = 1`. If not, try enabling `ochan` again.

**8** Type

```
pause(5);
```

The `pause` function gives the processor extra time to process the data in `indata` and transfer the data to the buffer you configured for `ochan`.

**9** Repeat the check for the number of messages in the queue. There should be 20 messages available in the buffer.

```
num_of_msgs = IDE_Obj.rtdx.msgcount('ochan')
```

With `num_of_msgs = 20`, you could use a looping structure to read the messages from the queue in to MATLAB software. In the next few steps of this tutorial you read data from the `ochan` queue to different data formats within MATLAB software.

**10** Read one message from the queue into variable `outdata`.

```
outdata = IDE_Obj.rtdx.readmsg('ochan','int16')
```

```
outdata =  
     2     3     4     5     6     7     8     9    10    11
```

Notice the `'int16'` `represent` option. When you read data from your processor you need to tell MATLAB software the data type you are reading. You wrote the data in step 4 as 16-bit integers so you use the same data type here.

While performing reads and writes, your process continues to run. You did not need to stop the processor to get the data or send the data, unlike using most debuggers and breakpoints in your code. You placed your data in memory across an RTDX channel, the processor used the data, and you read the data from memory across an RTDX channel, without stopping the processor.

**11** You can read data into cell arrays, rather than into simple double-precision variables. Use the following function to read three messages to cell array `outdata`, an array of three, 1-by-10 vectors. Each message is a 1-by-10 vector stored on the processor.

```
outdata = IDE_Obj.rtdx.readmsg('ochan','int16',3)
```

```

outdata =
[1x10 int16] [1x10 int16] [1x10 int16]

```

- 12** Cell array `outdata` contains three messages. Look at the second message, or matrix, in `outdata` by using dereferencing with the array.

```
outdata{1,2}
```

```

outdata =
     4     5     6     7     8     9    10    11    12    13

```

- 13** Read two messages from the processor into two 2-by-5 matrices in your MATLAB workspace.

```
outdata = IDE_Obj.rtdx.readmsg('ochan','int16',[2 5],2)
```

```

outdata =
[2x5 int16] [2x5 int16]

```

To specify the number of messages to read and the data format in your workspace, you used the `siz` and `nummsgs` options set to `[2 5]` and `2`.

- 14** You can look at both matrices in `outdata` by dereferencing the cell array again.

```
outdata{1,:}
```

```

ans =
     6     8    10    12    14
     7     9    11    13    15
ans =
     7     9    11    13    15
     8    10    12    14    16

```

- 15** For a change, read a message from the queue into a column vector.

```
outdata = IDE_Obj.rtdx.readmsg('ochan','int16',[10 1])
```

```

outdata =
     8
     9
    10
    11
    12
    13
    14
    15
    16
    17

```

- 16** Embedded Coder provides a function for reading messages into matrices—`readmat`. Use `readmat` to read a message into a 5-by-2 matrix in MATLAB software.

```
outdata = readmat(IDE_Obj.rtdx,'ochan','int16',[5 2])
```

```
outdata =
```

```
9 14
10 15
11 16
12 17
13 18
```

Because a 5-by-2 matrix requires ten elements, MATLAB software reads one message into `outdata` to fill the matrix.

- 17** To check your progress, see how many messages remain in the queue. You have read eight messages from the queue so 12 should remain.

```
num_of_msgs = IDE_Obj.rtdx.msgcount('ochan')

num_of_msgs =
    12
```

- 18** To see the connection between messages and a matrix in MATLAB software, read data from 'ochan' to fill a 4-by-5 matrix in your workspace.

```
outdata = IDE_Obj.rtdx.readmat('ochan','int16',[4 5])

outdata =
    10    14    18    13    17
    11    15    19    14    18
    12    16    11    15    19
    13    17    12    16    20
```

Filling the matrix required two messages worth of data.

- 19** To verify that the last step used two messages, recheck the message count. You should find 10 messages waiting in the queue.

```
num_of_msgs = IDE_Obj.rtdx.msgcount('ochan')
```

- 20** Continuing with matrix reads, fill a 10-by-5 matrix (50 matrix elements or five messages).

```
outdata = IDE_Obj.rtdx.readmat('ochan','int16',[10 5])

outdata =
    12    13    14    15    16
    13    14    15    16    17
    14    15    16    17    18
    15    16    14    18    19
    16    17    18    19    20
    17    18    19    20    21
    18    19    20    21    22
    19    20    21    22    23
    20    21    22    23    24
    21    22    23    24    25
```

- 21** Recheck the number of messages in the queue to see that five remain.

- 22** `flush` lets you remove messages from the queue without reading them. Data in the message you remove is lost. Use `flush` to remove the next message in the read queue. Then check the waiting message count.

```
IDE_Obj.rtdx.flush('ochan',1)
num_of_msgs = IDE_Obj.rtdx.msgcount('ochan')

num_of_msgs =
    4
```

- 23** Empty the remaining messages from the queue and verify that the queue is empty.

```
IDE_Obj.rtdx.flush('ochan', 'all')
```

With the `all` option, `flush` discards the messages in the `ochan` queue.

### Closing the Connections and Channels or Cleaning Up

One of the most important programmatic processes you should do in every RTDX session is to clean up at the end. Cleaning up includes stopping your processor, disabling the RTDX channels you enabled, disabling RTDX and closing your open channels. Performing this series of tasks prevents trouble caused by unexpected interactions with remaining handles, channels, and links from earlier development work.

Best practices suggest that you include the following tasks (or an subset that meets your development needs) in your development scripts and programs.

We use several functions in this section; each has a purpose — the operational details in the following list explain how and why we use each one. They are

- **close** — close the specified RTDX channel. To use the channel again, you must open and enable the channel. Compare **close** to **disable**. `close('rtdx')` closes the communications provided by RTDX. After you close RTDX, you cannot communicate with your processor.
- **disable** — remove RTDX communications from the specified channel, but does not remove the channel, or link. Disabling channels may be useful when you do not want to see the data that is being fed to the channel, but you may want to read the channel later. By enabling the channel later, you have access to the data entering the channel buffer. Note that data that entered the channel while it was disabled is lost.
- **halt** — stop a running processor. You may still have one or more messages in the host buffer.

Use the following procedure to shut down communications between MATLAB software and the processor, and end your session:

- 1 Begin the process of shutting down the processor and RTDX by stopping the processor. Type the following functions at the prompt.

```
if (isrunning(IDE_Obj)) % Use this test in scripts.  
    IDE_Obj.halt;      % Halt the processor.  
end                   % Done.
```

Your processor may already be stopped at this point. In a script, you might put the function in an `if`-statement as we have done here. When you direct a stopped processor to halt, the function returns immediately.

- 2 You have stopped the processor. Now disable the RTDX channels you opened to communicate with the processor.

```
IDE_Obj.rtdx.disable('all');
```

If required, using `disable` with channel name and processor identifier input arguments lets you disable only the channel you choose. When you have more than one board or processor, you may find disabling selected channels meets your needs.

When you finish your RTDX communications session, disable RTDX so that Embedded Coder releases your open channels before you close them.

```
IDE_Obj.rtdx.disable;
```

- 3 Use the following function syntaxes to close your open channels. Either close selected channels by using the channel name in the function, or use the `all` option to close the open channels.

- `IDE_Obj.rtdx.close('ichan')` to close your input channel in this tutorial.
- `IDE_Obj.rtdx.close('ochan')` to close your output channel in the tutorial.
- `IDE_Obj.rtdx.close('all')` to close your open RTDX channels, regardless of whether they are part of this tutorial.

Consider using the `all` option with the `close` function when you finish your RTDX work. Closing channels reduces unforeseen problems caused by channel objects that exist but do not get closed when you end your session.

- 4 When you created your RTDX object (`IDE_Obj = ticcs('boardnum',1)`) at the beginning of this tutorial, the `ticcs` function opened CCS IDE and set the visibility to 0. To avoid problems that occur when you close the interface to RTDX



with CCS visibility set to 0, make CCS IDE visible on your desktop. The following `if` statement checks the CCS IDE visibility and changes it if required.

```
if IDE_Obj.isvisible,
    IDE_Obj.visible(1);
end
```

Visibility can cause problems. When CCS IDE is running invisibly on your desktop, do not use `clear all` to remove your links for CCS IDE and RTDX. Without a `ticcs` object that references the CCS IDE you cannot access CCS IDE to change the visibility setting, or close the application. To close CCS IDE when you do not have an existing object, either create a new object to access the CCS IDE, or use Microsoft Windows Task Manager to end the process `cc_app.exe`, or close the MATLAB software.

- 5 You have finished the work in this tutorial. Enter the following commands to close your remaining references to CCS IDE and release the associated resources.

```
clear ('all'); % Calls the link destructors to remove all links.
echo off
```

`clear all` without the parentheses removes the variables from your MATLAB workspace.

You have completed the tutorial using RTDX. During the tutorial you

- 1 Opened connections to CCS IDE and RTDX and used those connections to load an executable program to your processor.
- 2 Configured a pair of channels so you could transfer data to and from your processor.
- 3 Ran the executable on the processor, sending data to the processor for processing and retrieving the results.
- 4 Stopped the executing program and closed the links to CCS IDE and RTDX.

This tutorial provides a working process for using Embedded Coder and your signal processing programs to develop programs for a range of Texas Instruments processors. While the processor may change, the essentials of the process remain the same.

### Listing Functions

To review a complete list of functions and methods that operate with `ticcs` objects, either CCS IDE or RTDX, enter either of the following commands at the prompt.

```
help ticcs
help rtdx
```

If you already have a `ticcs` object `IDE_Obj`, you can use dot notation to return the methods for CCS IDE or RTDX by entering one of the following commands at the prompt:

- `IDE_Obj.methods`
- `IDE_Obj.rtdx.methods`

In either instance MATLAB software returns a list of the available functions for the specified link type, including both public and private functions. For example, to see the functions (methods) for links to CCS IDE, enter:

```
help ticcs
```

## Constructing `ticcs` Objects

When you create a connection to CCS IDE using the `ticcs` command, you are creating a “`ticcs` object for accessing the CCS IDE and RTDX interface”. The `ticcs` object implementation relies on MATLAB software object-oriented programming capabilities.

The discussions in this section apply to the `ticcs` objects in Embedded Coder.

Like other MATLAB software structures, objects in Embedded Coder have predefined fields called object properties.

You specify object property values by one of the following methods:

- Setting the property values when you create the `ticcs` object
- Creating an object with default property values, and changing these property values later

For examples of setting `ticcs` object properties, refer to `ticcs`.

### Constructor for `ticcs` Objects

The easiest way to create an object is to use the function `ticcs` to create an object with the default properties. Create an object named `IDE_Obj` to refer to CCS IDE by entering

```
IDE_Obj = ticcs
```

MATLAB software responds with a list of the properties of the object `IDE_Obj` you created along with the associated default property values.

```
ticcs object:
```

```

API version      : 1.0
Processor type   : Cxx
Processor name   : CPU
Running?        : No
Board number     : 0
Processor number : 0
Default timeout  : 10.00 secs

RTDX channels    : 0

```

Inspecting the output reveals two objects listed—a CCS IDE object and an RTDX object. CCS IDE and RTDX objects cannot be created separately. By design they maintain a member class relationship; the RTDX object is a class, a member of the CCS object class. In this example, `IDE_Obj` is an instance of the class `CCS`. If you enter

```
rx = IDE_Obj.rtdx
```

`rx` is a handle to the RTDX portion of the CCS object. As an alias, `rx` replaces `IDE_Obj.rtdx` in functions such as `readmat` or `writemsg` that use the RTDX communications features of the CCS link. Typing `rx` at the command line now produces

```
rx
```

```
RTDX channels    : 0
```

The object properties are described in the function reference, and in more detail in `tics Object Properties`. These properties are set to default values when you construct objects.

## tics Properties and Property Values

Objects in Embedded Coder software have properties associated with them. Each property is assigned a value. You can set the values of most properties, either when you create the link or by changing the property value later. However, some properties have read-only values. And a few property values, such as the board number and the processor to which the link attaches, become read-only after you create the object. You cannot change those after you create your link.

## Overloaded Functions for tics Objects

Several functions in this Embedded Coder have the same name as functions in other MathWorks toolboxes or in MATLAB software. These behave similarly to their original counterparts, but you apply these functions directly to an object. This concept of having

functions with the same name operate on different types of objects (or on data) is called *overloading* of functions.

For example, the `set` command is overloaded for `ticcs` objects. After you specify your link by assigning values to its properties, you can apply the functions in this toolbox (such as `readmat` for using RTDX to read an array of data from the processor) directly to the variable name you assign to your object, without specifying your object parameters again.

## **ticcs Object Properties**

- “Quick Reference to `ticcs` Object Properties” on page 44-44
- “Details About `ticcs` Object Properties” on page 44-45

Embedded Coder provides an interface to your processor hardware so you can communicate with processors for which you are developing systems and algorithms. Each `ticcs` object comprises two objects—a CCS IDE object and an RTDX interface object. The objects are not separable; the RTDX object is a subclass of the CCS IDE object. Each of the objects has multiple properties. To configure the interface objects for CCS IDE and RTDX, you set parameters that define details such as the desired board, the processor, the timeout period applied for communications operations, and a number of other values. Because Embedded Coder uses objects to create the interface, the parameters you set are called properties and you treat them as properties when you set them, retrieve them, or modify them.

This section details the properties for the `ticcs` objects for CCS IDE and RTDX. First the section provides tables of the properties, for quick reference. Following the tables, the section offers in-depth descriptions of each property, its name and use, and whether you can set and get the property value associated with the property. Descriptions include a few examples of the property in use.

MATLAB software users may find much of this handling of objects familiar. Objects in Embedded Coder, behave like objects in MATLAB software and the other object-oriented toolboxes. For C++ programmers, discussion of object-oriented programming is likely to be a review.

### **Quick Reference to `ticcs` Object Properties**

The following table lists the properties for the `ticcs` objects in Embedded Coder. The second column tells you which object the property belongs to. Knowing which property belongs to each object in a `ticcs` object tells you how to access the property.

Property Name	Applies to Which Connection?	User Settable?	Description
apiversion	CCS IDE	No	Reports the version number of your CCS API.
boardnum	CCS IDE	Yes/initially	Specifies the index number of a board that CCS IDE recognizes.
ccsappexe	CCS IDE	No	Specifies the path to the CCS IDE executable. Read-only property.
numchannels	RTDX	No	Contains the number of open RTDX channels for a specific link.
page	CCS IDE	Yes/default	Stores the default memory page for reads and writes.
procnum	CCS IDE	Yes/at start only	Stores the number CCS Setup Utility assigns to the processor.
timeout	CCS IDE	Yes/default	Contains the global timeout setting for the link.
version	RTDX	No	Reports the version of your RTDX software.

Some properties are read only — you cannot set the property value. Other properties, you can change. If the entry in the User Settable column is “Yes/initially”, you can set the property value only when you create the link. Thereafter it is read only.

### Details About ticcs Object Properties

To use the links for CCS IDE and RTDX interface you set values for:

- **boardnum** — specify the board with which the link communicates.
- **procnum** — specify the processor on the board. If the board has multiple processors, **procnum** identifies the processor to use.
- **timeout** — specify the global timeout value. (Optional. Default is 10 s.)

Details of the properties associated with connections to CCS IDE and RTDX interface appear in the following sections, listed in alphabetical order by property name.

Many of these properties are object linking and embedding (OLE) handles. The MATLAB software COM server creates the handles when you create objects for CCS IDE and RTDX. You can manipulate the OLE handles using `get`, `set`, and `invoke` to work directly with the COM interface with which the handles interact.

### **apiversion**

Property `appversion` contains a string that reports the version of the application program interface (API) for CCS IDE that you are using when you create a link. You cannot change this string. When you upgrade the API, or CCS IDE, the string changes to match. Use `display` to see the `apiversion` property value for a link. This example shows the `appversion` value for link `IDE_Obj`.

```
display(IDE_Obj)
```

```
TICCS Object:
  API version      : 1.0
  Processor type   : Cxx
  Processor name   : CPU
  Running?        : No
  Board number     : 0
  Processor number : 0
  Default timeout  : 10.00 secs

  RTDX channels    : 0
```

Note that the API version is not the same as the CCS IDE version.

### **boardnum**

Property `boardnum` identifies the board referenced by the IDE link handle object for CCS. When you create a link, you use `boardnum` to specify the board you are using. To get the value for `boardnum`, use `ccsboardinfo` or the CCS Setup utility from Texas Instruments software. The CCS Setup utility assigns the number for each board installed on your system.

### **ccsappexe**

Property `ccsappexe` contains the path to the CCS IDE executable file `cc_app.exe`. When you use `ticcs` to create a link, MATLAB software determines the path to the CCS IDE executable and stores the path in this property. This is a read-only property. You cannot set it.

**numchannels**

Property `numchannels` reports the number of open RTDX communications channels for an RTDX link. Each time you open a channel for a link, `numchannels` increments by one. For new links `numchannels` is zero until you open a channel for the link.

To see the value for `numchannels` create a link to CCS IDE. Then open a channel to RTDX. Use `display` to see the RTDX link properties.

```
IDE_Obj=ticcs

TICCS Object:
  API version      : 1.0
  Processor type   : Cxx
  Processor name   : CPU
  Running?        : No
  Board number     : 0
  Processor number : 0
  Default timeout  : 10.00 secs

  RTDX channels    : 0

rx=IDE_Obj.rtdx

  RTDX channels    : 0

open(rx,'ichan','r','ochan','w');

get(IDE_Obj.rtdx)

ans =

    numChannels: 2
           Rtdx: [1x1 COM ]
    RtdxChannel: {'' '' ''}
           procType: 103
           timeout: 10
```

**page**

Property `page` contains the default value CCS IDE uses when the user does not specify the page input argument in the syntax for a function that access memory.

**procnum**

Property **procnum** identifies the processor referenced by the IDE link handle object for CCS. When you create an object, you use **procnum** to specify the processor you are using. The CCS Setup Utility assigns a number to each processor installed on each board. To determine the value of **procnum** for a processor, use `ccsboardinfo` or the CCS Setup utility from Texas Instruments software.

To identify a processor, you need both the **boardnum** and **procnum** values. For boards with one processor, **procnum** equals zero. CCS IDE numbers the processors on multiprocessor boards sequentially from 0 to the number of processors. For example, on a board with four processors, the processors are numbered 0, 1, 2, and 3.

**rtdx**

Property **rtdx** is a subclass of the **ticcs** link and represents the RTDX portion of the IDE link handle object for CCS. As shown in the example, **rtdx** has properties of its own that you can set, such as **timeout**, and that report various states of the link.

```
get(IDE_Obj.rtdx)

ans =

    version: 1
 numChannels: 0
      Rtdx: [1x1 COM ]
RtdxChannel: {'' [] ''}
   procType: 103
   timeout: 10
```

In addition, you can create an alias to the **rtdx** portion of a link, as shown in this code example.

```
rx=IDE_Obj.rtdx

RTDX channels : 0
```

Now you can use **rx** with the functions in Embedded Coder, such as **get** or **set**. If you have two open channels, the display looks like the following example:

```
get(rx)

ans =
```



```

numChannels: 2
    Rtdx: [1x1 COM ]
RtdxChannel: {2x3 cell}
procType: 98
timeout: 10

```

### **rtdxchannel**

Property `rtdxchannel`, along with `numchannels` and `proctype`, is a read-only property for the RTDX portion of the IDE link handle object for CCS. To see the value of this property, use `get` with the link. Neither `set` nor `invoke` work with `rtdxchannel`.

`rtdxchannel` is a cell array that contains the channel name, handle, and mode for each open channel for the link. For each open channel, `rtdxchannel` contains three fields, as follows:

<code>.rtdxchannel{i,1}</code>	Channel name of the <i>i</i> th-channel, <i>i</i> from 1 to the number of open channels
<code>.rtdxchannel{i,2}</code>	Handle for the <i>i</i> th-channel
<code>.rtdxchannel{i,3}</code>	Mode of the <i>i</i> th-channel, either 'r' for read or 'w' for write

With four open channels, `rtdxchannel` contains four channel elements and three fields for each channel element.

### **timeout**

Property `timeout` specifies how long CCS IDE waits for a process to finish. Two `timeout` periods can exist — one global, one local. You set the global `timeout` when you create the IDE link handle object for CCS. The default global `timeout` value is 10 s. However, when you use functions to read or write data to CCS IDE or your processor, you can set a local `timeout` that overrides the global value. If you do not set a specific `timeout` value in a read or write process syntax, the global `timeout` value applies to the operation. Refer to the help for the read and write functions for the syntax to set the local `timeout` value for an operation.

### **version**

Property `version` reports the version number of your RTDX software. When you create a `ticcs` object, `version` contains a string that reports the version of the RTDX application that you are using. You cannot change this string. When you upgrade

the API, or CCS IDE, the string changes to match. Use `display` to see the `version` property value for a link. This example shows the `apiversion` value for object `rx`.

```
get(rx) % rx is an alias for IDE_Obj.rtdx.
```

```
ans =
```

```
    version: 1
 numChannels: 0
      Rtdx: [1x1 COM ]
 RtdxChannel: {'' [] ''}
   procType: 103
   timeout: 10
```

## Function List

The following is a complete list of functions for working with CCS v.3.3. It includes Automation Interface and other types of functions.

- `activate`
- `add`
- `address`
- `animate`
- `build`
- `ccsboardinfo`
- `cd`
- `checkEnvSetup`
- `close`
- `configure`
- `dir`
- `disable`
- `display (IDE Object)`
- `enable`
- `flush`
- `getbuilddopt`
- `halt`

- info
- insert
- xmakefilesetup
- isenabled
- isreadable
- isrtdxcapable
- isrunning
- isvisible
- iswritable
- list
- load
- msgcount
- new
- open
- profile
- read
- readmat
- readmsg
- regread
- regwrite
- reload
- remove
- reset
- restart
- run
- save
- setbuildopt
- symbol
- ticcs
- visible

- `write`
- `writemsg`

## IDE Project Generator

### In this section...

“Introducing IDE Project Generator” on page 44-53

“IDE Project Generator and Board Selection” on page 44-53

“Generate an IDE Project” on page 44-55

“Model Reference” on page 44-58

### Introducing IDE Project Generator

IDE Project Generator provides the following features for developing project and generating code:

- Support automated project building for Texas Instruments Code Composer Studio software that lets you create projects from code generated by Embedded Coder products. The project automatically populates CCS projects in the CCS development environment.
- Configure code generation using model Configuration Parameters and processor preferences block options
- Select from two system target files to generate code specific to your processor
- Configure project build process
- Automatically download and run your generated projects on your processor

---

**Note:** You cannot generate code for C6000 processors in big-endian mode. Code generation supports only little-endian processor data byte order.

---

### IDE Project Generator and Board Selection

IDE Project Generator uses `ticcs` objects to connect to the IDE. Each time you build a model to generate a project, the build process starts by issuing the `ticcs` method, as shown here:

```
IDE_Obj=ticcs('boardnum',boardnum,'procnum',procnum)
```

The software attempts to connect to the board (`boardnum`) and processor (`procnum`) associated with the **Board name** and **Processor number** parameters located on the Target Hardware Resources pane in the model Configuration Parameters.

The result of the `ticcs` method changes, depending on the boards you configured in CCS. The following table describes how the software selects the board to connect to in your board configuration.

CCS Board Configuration State	Response by Software
Code Composer Studio or Embedded Coder software not installed.	Returns an error message asking you to verify that you installed both Code Composer Studio and Embedded Coder.
Code Composer Studio software does not have configured boards.	Returns an error message that the software could not find boards in your configuration. Use <b>Setup Code Composer Studio</b> to configure at least one board.
Code Composer Studio software has one configured board.	Attaches to the board regardless of the value of the <b>Board</b> parameter. You see a warning message telling you which board the software selected.
Code Composer Studio software has one board configured that does not match the value of the <b>Board</b> parameter. <sup>(*)</sup>	Returns a warning message that the software could not find the board specified in the block and connected to the board listed in the warning message. The software connects to the first board in your CCS configuration.
Code Composer Studio has more than one board configured. The value of the <b>Board</b> parameter is one of the configured boards.	Connects to the specified board.
Code Composer Studio has more than one board configured. The value of the <b>Board</b> parameter is not one of the configured boards. <sup>(*)</sup>	Returns a message asking you to select a board from the list of configured boards. You have two choices: <ul style="list-style-type: none"> <li>• Select a board to use for project generation, and click <b>OK</b>. Your selection does not change the value of the <b>Board</b> parameter. The software connects to the selected board.</li> <li>• Click <b>Abort</b> to stop the project build and code generation process. The software does not connect to the IDE or board.</li> </ul>

(\*)You may encounter the situation where you do not have the valid board configured in CCS because of one of the following conditions:

- You changed your board configuration and saved the model. When you reopen the model, the board specified in **Board name** in the block is not in your configuration.
- You are working with a model from a source whose board configuration is not the same as yours.

Use `ccsboardinfo` at the MATLAB prompt to verify or review your configured boards.

## Generate an IDE Project

- “Creating the Model” on page 44-56
- “Specify Configuration Parameters for Your Model” on page 44-56

In this tutorial you will use the Embedded Coder software to:

- Build a model.
- Generate a project from the model.
- Build the project and run the binary on a processor.

---

**Note** The model shows project generation. You cannot not build and run the model on your processor without additional blocks.

---

To generate a project from a model, complete the following tasks:

- 1 Create a model application.
- 2 Configure your model for your IDE, tool chain, and target hardware, as described in “Configure Target Hardware Resources” on page 41-3.
- 3 In the Configuration Parameters, also set:
  - Solver parameters such as simulation start and solver options
  - Software options such as processor configuration and processor compiler selection
- 4 Generate your project.
- 5 Review your project in CCS.

## Creating the Model

To build a model, follow these steps:

- 1 Open the Simulink Library Browser.
- 2 Use Simulink blocks to create a model, or open one of the example models for Texas Instruments Code Composer Studio.
- 3 Name and save your model before continuing.

## Specify Configuration Parameters for Your Model

The following sections describe how to configure the build and run parameters for your model. Generating a project, or building and running a model on the processor, starts with configuring model options in the Configuration Parameters dialog in Simulink software.

### Setting Solver Parameters

After you have designed and implemented your digital signal processing model in Simulink software, complete the following steps to set the Configuration Parameters for the model:

- 1 Configure your model for your IDE, tool chain, and target hardware, as described in “Configure Target Hardware Resources” on page 41-3.
- 2 Select the Solver pane in the Configuration Parameters dialog.
- 3 Set **Start time** to **0.0** and **Stop time** to **inf** (model runs without stopping). If you set a stop time, your generated code does not honor the setting. Set this to **inf** for completeness.
- 4 Under **Solver options**, set **Type** to **fixed-step** and set **Solver** to **discrete (no continuous states)**. For PIL, set **Type** and **Solver** to any setting.
- 5 For **Fixed step size (fundamental sample time)**, enter **Auto**, and set **Tasking mode for periodic sample times** to **SingleTasking**.

---

**Note** Generated code does not honor Simulink software stop time from the simulation. Stop time is interpreted as **inf**. To implement a stop in generated code, add a **Stop Simulation** block in your model.

---

When you use PIL, you can set the **Solver options** to any selection from the **Type** and **Solver** lists.



Ignore the **Data Import/Export**, **Diagnostics**, and **Optimization** panes in the Configuration Parameters dialog. The default settings are valid for your new model.

### Setting Code Generation Parameters

To configure your software to use the right processor files and to compile and run your model executable file, configure the **Code Generation** pane in the Configuration Parameters dialog.

- 1 In the Configuration Parameters dialog, select the **Code Generation** pane.
- 2 Use the **Browse** button to set **System target file** to `idmlink_grt.tlc`.

### Setting Coder Target Parameters

To configure code generation options and to compile and run your model executable file, configure the Coder Target pane in the Configuration Parameters dialog.

- 1 In the Configuration Parameters dialog, expand the node for the **Code Generation** pane and select the **Coder Target** pane.
- 2 Set the following options in the pane under **Vendor Tool Chain**:
  - **Configuration** should be Custom.
  - Set **Compiler options string** and **Linker options string** should be blank.
- 3 Under **Link Automation**, verify that **Export IDE link handle to base workspace** is selected and provide a name for the handle in **Coder Target handle name** (optional).
- 4 Set the following **Run-Time** options:
  - **Build action**: `Build_and_execute`.
  - **Interrupt overrun notification method**: `None`.

You have configured the your software options that let you generate a project for you processor. You may have noticed that you did not configure a few of the Configuration Parameters panes, such as **Comments**, **Symbols**, and **Optimization**.

For your new model, the default values for the options in these panes are right. For other models you develop, you may want to set the options in these panes to provide information during the build and to run TLC debugging when you generate code. Refer to your product documentation for more information about setting the Configuration Parameters.

### Building Your Project

After you set the Configuration Parameters and configure the coder product to create the files you need, you direct the build process to create your project:

- 1 Press **OK** to close the Configuration Parameters dialog.
- 2 Press **Ctrl+B** to generate your project into CCS IDE.

When you press **Ctrl+B** with **Create\_project** selected for **Build action**, the automatic build process starts CCS IDE, populates a new project in the development environment, builds the project, loads the binary on the processor, and runs it.

- 3 To stop processor execution, use the **Halt** option in CCS or enter `IDE_Obj.halt` at the MATLAB command prompt. (Where “IDE\_Obj” is the IDE link handle name you specified previously in **Configuration Parameters**.)

### Model Reference

Model reference lets your model include other models as modular components. This technique provides useful features because it:

- Simplifies working with large models by letting you build large models from smaller ones, or even large ones.
- Lets you generate code for the modules in the model, and later, regenerate code for modules that change.
- Lets you develop the modules independently.
- Lets you reuse modules and models by reference, rather than including the model or module multiple times in your model. Also, multiple models can refer to the same model or module.

Your product documentation provides much more information about model reference.

#### How Model Reference Works

Model reference behaves differently in simulation and in code generation. For this discussion, you need to know the following terms:

- Top-model — The root model block or model. It refers to other blocks or models. In the model hierarchy, this is the topmost model.
- Referenced models — Blocks or models that other models reference, such as models the top-model refers to. The models or blocks below the top-model in the hierarchy are reference models.

The following sections describe briefly how model reference works. More details are available in your product documentation in the online Help system.

### **Model Reference in Simulation**

When you simulate the top-model, the coder product detects that your model contains referenced models. Simulink software generates code for the referenced models and uses the generated code to build shared library files for updating the model diagram and simulation. It also creates an executable (a MEX file, `.mex`) for each reference model that is used to simulate the top-model.

When you rebuild reference models for simulations or when you run or update a simulation, Simulink software rebuilds the model reference files. Whether reference files or models are rebuilt depends on:

- Whether and how you change the models.
- The **Rebuild** parameter on the **Model Reference** pane in the Configuration Parameters dialog.

### **Model Reference in Code Generation**

Embedded Coder software requires executables to generate code from models. If you have not simulated your model at least once, the coder product creates a `.mex` file for simulation.

Next, for each referenced model, the code generation process calls `make_rtw` and builds each referenced model. This build process creates a library file for each of the referenced models in your model.

After building the referenced models, the coder product calls `make_rtw` on the top-model, linking to the library files it created for the associated referenced models.

### **Using Model Reference**

With few limitations or restrictions, Embedded Coder provides full support for generating code from models that use model reference.

#### **Build Action Setting**

The most important requirement for using model reference with the TI's processors is to set the **Build action** for the Model blocks in the simulation to `Archive_library`.

To set the build action

- 1 Open your model.
- 2 Select **Simulation > Model Configuration Parameters** from the model menus.  
The Configuration Parameters dialog opens.
- 3 Expand the node for the Code Generation pane. Then select the **Coder Target** pane.
- 4 In the right pane, under **Run-Time**, select **Archive\_library** from the **Build action** list.

If your top-model uses a reference model that does not have the build action set to **Archive\_library**, the build process automatically changes the build action to **Archive\_library** and issues a warning about the change.

As a result of selecting the **Archive\_library** setting, other options are disabled:

- DSP/BIOS is disabled for the referenced models. Only the top-model supports DSP/BIOS operation.
- **Interrupt overrun notification method**, **Export IDE link handle to base workspace**, and **System stack size** are disabled for the referenced models.

#### Other Block Limitations

Model reference with Embedded Coder does not allow you to use the following blocks or S-functions in reference models:

- Blocks from the C62x DSP Library (in **c60001ib**) (because these are noninlined S-functions)
- Blocks from the C64x DSP Library (in **c60001ib**) (because these are noninlined S-functions)
- Noninlined S-functions
- Driver blocks, such as the ADC or DAC blocks from a Embedded Coder block library

#### Configuring processors to Use Model Reference

Processors that you plan to use in Model Referencing must meet some general requirements.

- The **System target file** on the **Code Generation** pane of the **Configuration Parameters** dialog must match the target hardware.
- When you generate code from a model that references another model, you need to configure both the top-level model and the referenced models for the same code generation processor.

- The External mode option is not supported in model reference processor builds. Embedded Coder product does not support External mode. If you select this option, it is ignored during code generation.
- To support model reference builds, your TMF must support use of the shared utilities folder, as described in Supporting Shared Utility Directories in the Build Process in the Simulink Coder documentation.

To use an existing processor, or a new processor, with Model Reference, you set the `ModelReferenceCompliant` flag for the processor. For information on how to set this option, refer to `ModelReferenceCompliant` in the online Help system.

If you start with a model that was created prior to version 2.4 (R14SP3), to make your model compatible with the model reference processor, use the following command to set the `ModelReferenceCompliant` flag to On:

```
set_param(bdroot, 'ModelReferenceCompliant', 'on')
```

Models that you develop with versions 2.4 and later of Embedded Coder automatically include the model reference capability. You do not need to set the flag.

## Exporting Filter Coefficients from FDATool

### In this section...

“About FDATool” on page 44-62

“Preparing to Export Filter Coefficients to Code Composer Studio Projects” on page 44-63

“Exporting Filter Coefficients to Your Code Composer Studio Project” on page 44-66

“Preventing Memory Corruption When You Export Coefficients to Processor Memory” on page 44-71

### About FDATool

Signal Processing Toolbox™ software provides the Filter Design and Analysis tool (FDATool) that lets you design a filter and then export the filter coefficients to a matching filter implemented in a CCS project.

Using FDATool with CCS IDE enables you to:

- Design your filter in FDATool
- Use CCS to test your filter on a processor
- Redesign and optimize the filter in FDATool
- Test your redesigned filter on the processor

For instructions on using FDATool, refer to the section “Filter Design and Analysis Tool” in the Signal Processing Toolbox documentation.

Procedures in this chapter show how to use the FDATool export options to export filter coefficients to CCS. Using these procedures, you can perform the following tasks:

- Export filter coefficients from FDATool in a header file—“Exporting Filter Coefficients from FDATool to the CCS IDE Editor” on page 44-67
- Export filter coefficients from FDATool to processor memory—“Replacing Existing Coefficients in Memory with Updated Coefficients” on page 44-72

---

**Caution** For the best results, export coefficients in a header file. Exporting coefficients directly to processor memory can generate unexpected results or corrupt memory.

---

Also see the reference pages for the following functions. These primary functions allow you to use to access variables and write them to processor memory from the MATLAB Command window.

- `address` — Return the address of a symbol so you can read or write to it.
- `ticcs` — Create a connection between MATLAB software and CCS IDE so you can work with the project in CCS from the MATLAB Command window.
- `write` — Write data to memory on the processor.

## Preparing to Export Filter Coefficients to Code Composer Studio Projects

- “Features of a Filter” on page 44-63
- “Selecting the Export Mode” on page 44-64
- “Choosing the Export Data Type” on page 44-64

### Features of a Filter

When you create a filter in FDATool, the filter includes defining features identified in the following table.

Defining Feature	Description
Structure	Structure defines how the elements of a digital filter—gains, adders/subtractors, and delays—combine to form the filter. See the Signal Processing Toolbox documentation in the Online Help system for more information about filter structures.
Design Method	Defines the mathematical algorithm used to determine the filter response, length, and coefficients.
Response Type and Specifications	Defines the filter passband shape, such as lowpass or bandpass, and the specifications for the passband.
Coefficients	Defines how the filter structure responds at each stage of the filter process.
Data Type	Defines how to represent the filter coefficients and the resulting filtered output. Using a floating-point or fixed-point coefficient alters the filter response and output data values.

When you export your filter, FDATool exports only the number of and value of the filter coefficients and the data type used to define the coefficients.

### Selecting the Export Mode

You can export a filter by generating an ANSI C header file, or by writing the filter coefficients directly to processor memory. The following table summarizes when and how to use the export modes.

To...	Use Export Mode...	When to Use	Suggested Use
Add filter coefficients to a project in CCS	C header file	You implemented a filter algorithm in your program, but you did not allocate memory on your processor for the filter coefficients.	<ul style="list-style-type: none"> <li>Add the generated ANSI C header file to a project. Building and loading this project into your processor allocates static memory locations on the processor and writes your filter coefficients to those locations.</li> <li>Edit the file so the header file allocates extra processor memory and then add the header file to your project. Refer to “Allocating Extra Memory for Filter Coefficients” on page 44-71 in the next section.</li> </ul> <p>(For a sample generated header file, refer to “Reviewing ANSI C Header File Contents” on page 44-70.)</p>
Modify the filter coefficients in an embedded application loaded on a processor	Write directly to memory	You loaded a program on your processor. The program allocated space in your processor memory to store the filter coefficients.	<ul style="list-style-type: none"> <li>Optimize your filter design in FDATool. Then,</li> <li>Write the updated filter coefficients directly to the allocated processor memory. Refer to section “Preventing Memory Corruption When You Export Coefficients to Processor Memory” on page 44-71 for more information.</li> </ul>

### Choosing the Export Data Type

The export process provides two ways you can specify the data type to use to represent the filter coefficients. Select one of the options shown in the following table when you export your filter.



Specify Data Type for Export	Description
<b>Export suggested</b>	Uses the data type that FDATool suggests to preserve the fidelity of the filter coefficients and the performance of your filter in the project
<b>Export as</b>	Lets you specify the data type to use to export the filter coefficients

FDATool exports filter coefficients that use the following data types directly without modifications:

- Signed integer (8, 16, or 32 bits)
- Unsigned integer (8, 16, or 32 bits)
- Double-precision floating point (64 bits)
- Single-precision floating point (32 bits)

Filters in FDATool in the Signal Processing Toolbox software use double-precision floating point. You cannot change the data type.

If you have installed DSP System Toolbox software, you can use the filter quantization options in FDATool to set the word and fraction lengths that represent your filter coefficients. For information about using the quantization options, refer to Filter Design and Analysis Tool in the Filter Design Toolbox documentation in the Online help system.

If your filter uses one of the supported data types, **Export suggested** specifies that data type.

If your filter does not use one of the supported data types, FDATool converts the unsupported data type to one of the supported types and then suggests that data type. For more information about how FDATool determines the data type to suggest, refer to “How FDATool Determines the Export Suggested Data Type” on page 44-66.

Follow these best-practice guidelines when you implement your filter algorithm in source code and design your filter in FDATool:

- Implement your filter using one of the data types FDATool exports without modifications.
- Design your filter in FDATool using the data type you used to implement your filter.

### To Choose the Export Data Type

When you export your filter, follow this procedure to select the export data type so that the exported filter coefficients closely match the coefficients of your filter in FDATool.

- 1 In FDATool, select **Targets > Code Composer Studio IDE** to open the Export to Code Composer Studio IDE dialog.
- 2 Perform one of the following actions:
  - Select **Export suggested** to export the coefficients in the suggested data type.
  - Select **Export as** and choose the data type your filter requires from the list.

---

**Caution** If you select **Export as**, the exported filter coefficients can be very different from the filter coefficients in FDATool. As a result, your filter cutoff frequencies and performance may not match your design in FDATool.

---

### How FDATool Determines the Export Suggested Data Type

By default, FDATool represents filter coefficients as double-precision floating-point data. When you export your filter coefficients, FDATool suggests the same data type.

If you set custom word and fraction lengths to represent your filter coefficients, the export process suggests a data type to maintain the best fidelity for the filter.

The export process converts your custom word and fraction lengths to a suggested export data type, using the following rules:

- Round the word length up to the nearest larger supported data type. For example, round an 18-bit word length up to 32 bits.
- Set the fraction length to the maintain the same difference between the word and fraction length in the new data type as applies in the custom data type.

For example, if you specify a fixed-point data type with word length of 14 bits and fraction length of 11 bits, the export process suggests an integer data type with word length of 16 bits and fraction length of 13 bits, retaining the 3 bit difference.

## Exporting Filter Coefficients to Your Code Composer Studio Project

- “Exporting Filter Coefficients from FDATool to the CCS IDE Editor” on page 44-67

- “Reviewing ANSI C Header File Contents” on page 44-70

### Exporting Filter Coefficients from FDATool to the CCS IDE Editor

In this section, you export filter coefficients to a project by generating an ANSI C header file that contains the coefficients. The header file defines global arrays for the filter coefficients. When you compile and link the project to which you added the header file, the linker allocates the global arrays in static memory locations in processor memory.

Loading the executable file into your processor allocates enough memory to store the exported filter coefficients in processor memory and writes the coefficients to the allocated memory.

Use the following steps to export filter coefficients from FDATool to the CCS IDE text editor.

- 1 Start FDATool by entering `fdatool` at the MATLAB command prompt.

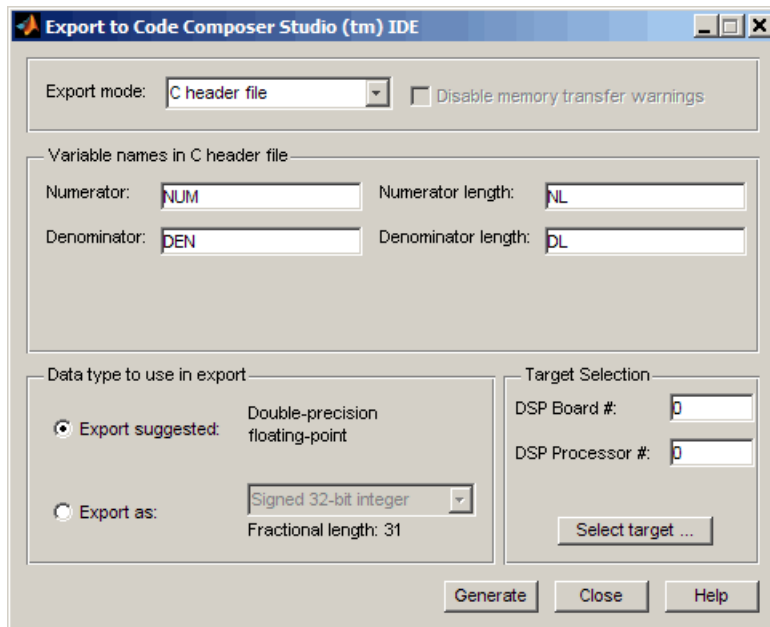
```
fdatool      % Starts FDATool.
```

- 2 Design a filter with the same structure, length, design method, specifications, and data type you implemented in your source code filter algorithm.

The following figure shows a Direct-form II IIR filter example that uses second-order sections.

- 3 Click **Store Filter** to store your filter design. Storing the filter allows you to recall the design to modify it.
- 4 To export the filter coefficients, select **Targets > Code Composer Studio IDE** from the FDATool menu bar.

The Export to Code Composer Studio IDE dialog opens, as shown in the following figure.



- 5 Set **Export mode** to C header file.



- 6 In **Variable names in C header file**, enter variable names for the **Numerator**, **Denominator**, **Numerator length**, and **Denominator length** parameters where the coefficients will be stored.

The dialog shows only the variables you need to export to define your filter.

---

**Note:** You cannot use reserved ANSI C programming keywords, such as `if` or `int` as variable names, or include invalid characters such as spaces or semicolons (`;`).

---

- 7 In **Data type to use in export**, select **Export suggested** to accept the recommended export data type. FDATool suggests a data type that retains filter coefficient fidelity.

You may find it useful to select the **Export as** option and select an export data type other than the one suggested.

---

**Caution** If you deviate from the suggested data type, the exported filter coefficients can be very different from the filter coefficients in FDATool. As a result, your filter cutoff frequencies and performance may not match your design in FDATool.

---

For more information about how FDATool decides which data type to suggest, refer to “How FDATool Determines the Export Suggested Data Type” on page 44-66.

- 8 If you know the board number and processor number of your target, enter **DSP Board #** and **DSP Processor #** values to identify your board.

When you have only one board or simulator, Embedded Coder software sets **DSP Board #** and **DSP Processor #** values for your board automatically.

If you have more than one board defined in CCS Setup:

- Click **Select target** to open the Selection Utility dialog.
  - From the list of boards and list of processors, select the board name and processor name to use.
  - Click **Done** to set the **DSP Board #** and **DSP Processor #** values.
- 9 Click **Generate** to generate the ANSI header file. FDATool prompts you for a file name and location to save the generated header file.

The default location to save the file is your MATLAB working folder. The default file name is `fdacoeffs.h`.

- 10 Click **OK** to export the header file to the CCS editor.

If CCS IDE is not open, this step starts the IDE.

The export process does not add the file to your active project in the IDE.

- 11 Drag your generated header file into the project that implements the filter.
- 12 Add a `#include` statement to your project source code to include the new header file when you build your project.

- 13** Generate a `.out` file and load the file into your processor. Loading the file allocates locations in static memory on the processor and writes the filter coefficients to those locations.

To see an example header file, refer to “Reviewing ANSI C Header File Contents” on page 44-70.

### Reviewing ANSI C Header File Contents

The following program listing shows the exported header (`.h`) file that FDATool generates. This example shows a direct-form II filter that uses five second-order sections. The filter is stable and has linear phase.

Comments in the file describe the filter structure, number of sections, stability, and the phase of the filter. Source code shows the filter coefficients and variables associated with the filter design, such as the numerator length and the data type used to represent the coefficients.

```

/*
 * Filter Coefficients (C Source) generated by the Filter Design and Analysis Tool
 *
 * Generated by MATLAB(R) 7.8 and the Signal Processing Toolbox 6.11.
 *
 * Generated on: xx-xxx-xxxx 14:24:45
 */

/*
 * Discrete-Time IIR Filter (real)
 * -----
 * Filter Structure      : Direct-Form II, Second-Order Sections
 * Number of Sections   : 5
 * Stable                : Yes
 * Linear Phase         : No
 */

/* General type conversion for MATLAB generated C-code */
#include "tmwtypes.h"
/*
 * Expected path to tmwtypes.h
 * $MATLABROOT\extern\include\tmwtypes.h
 */
#define MWSPT_NSEC 11
const int NL[MWSPT_NSEC] = { 1,3,1,3,1,3,1,3,1,3,1 };
const real64_T NUM[MWSPT_NSEC][3] = {
    {
        0.802536131462,          0,          0
    },
    {
        0.2642710234701,    0.5285420469403,    0.2642710234701
    },
    {
        1,          0,          0
    },
    {

```

```

    0.1743690465012,  0.3487380930024,  0.1743690465012
},
#
{
  0.2436793028081,  0.4873586056161,  0.2436793028081
},
{
    1,                0,                0
},
{
  0.3768793219093,  0.7537586438185,  0.3768793219093
},
{
    1,                0,                0
}
};
const int DL[MWSPT_NSEC] = { 1,3,1,3,1,3,1,3,1,3,1 };
const real64_T DEN[MWSPT_NSEC][3] = {
  {
    1,                0,                0
  },
  {
    1, -0.1842138030775,  0.1775781189277
  },
  {
    1,                0,                0
  },
# {
    1, -0.2160098642842,  0.3808329528195
  },
  {
    1,                0,                0
  }
};

```

## Preventing Memory Corruption When You Export Coefficients to Processor Memory

- “Allocating Extra Memory for Filter Coefficients” on page 44-71
- “Using the Exported Header File to Allocate Extra Processor Memory” on page 44-72
- “Replacing Existing Coefficients in Memory with Updated Coefficients” on page 44-72
- “Changing Filter Coefficients Stored on Your Processor” on page 44-73

### Allocating Extra Memory for Filter Coefficients

You can allocate extra memory by editing the generated ANSI C header file. You can then load the associated program file into your processor as described in “Using the Exported Header File to Allocate Extra Processor Memory” on page 44-72. Extra

memory lets you change filter coefficients and overwrite existing coefficients stored in processor memory more easily.

To prevent problems when you update filter coefficients in a project, , such as writing coefficients to unintended memory locations, use the **C header file** export mode option in FDATool to update filter coefficients in your program.

### Using the Exported Header File to Allocate Extra Processor Memory

You can edit the generated header file so the linked program file allocates extra processor memory. By allocating extra memory, you avoid the problem of insufficient memory when you export new coefficients directly to allocated memory.

For example, changing the following command in the header file:

```
const real64_T NUM[47] = {...}
to
```

```
real64_T NUM[256] = {...}
allocates enough memory for NUM to store up to 256 numerator filter coefficients rather than 47.
```

Exporting the header file to CCS IDE does not add the filter to your project. To incorporate the filter coefficients from the header file, add a `#include` statement:

```
#include "headerfilename.h"
```

Refer to “Exporting Filter Coefficients to Your Code Composer Studio Project” on page 44-66 for information about generating a header file to export filter coefficients.

When you export filter coefficients directly to processor memory, the export process writes coefficients to as many memory locations as they need. The write process does not perform bounds checking. Plan memory allocation carefully, so that the software writes to the right locations and has enough memory for filter coefficients.

### Replacing Existing Coefficients in Memory with Updated Coefficients

When you redesign a filter and export new coefficients to replace existing coefficients in memory, verify the following conditions for your new design:

- Your redesign did not increase the memory required to store the coefficients beyond the allocated memory.

Changes that increase the memory required to store the filter coefficients include the following redesigns:



- Increasing the filter order
- Changing the number of sections in the filter
- Changing the numerical precision (changing the export data type)
- Your changes did not change the export data type.

---

**Caution** Identify changes that require additional memory to store the coefficients before you begin your export. Otherwise, exporting the new filter coefficients may overwrite data in memory locations you did not allocate for storing coefficients. Also, exporting filter coefficients to memory after you change the filter order, structure, design algorithm, or data type can yield unexpected results and corrupt memory.

---

Changing the filter design algorithm in FDATool, such as changing from Butterworth to Maximally Flat, often changes the number of filter coefficients (the filter order), the number of sections, or both. Also, the coefficients from the new design algorithm may not work with your source code filter implementation.

If you change the design algorithm, verify that your filter structure and length are the same after you redesign your filter, and that the coefficients will work with the filter you implemented.

If you change the number of sections or the filter order, your filter will not work well unless your filter algorithm implementation accommodates the changes.

### **Changing Filter Coefficients Stored on Your Processor**

This example writes filter coefficients to processor memory to replace the existing coefficients. To perform this process, you need the names of the variables in which your project stores the filter data.

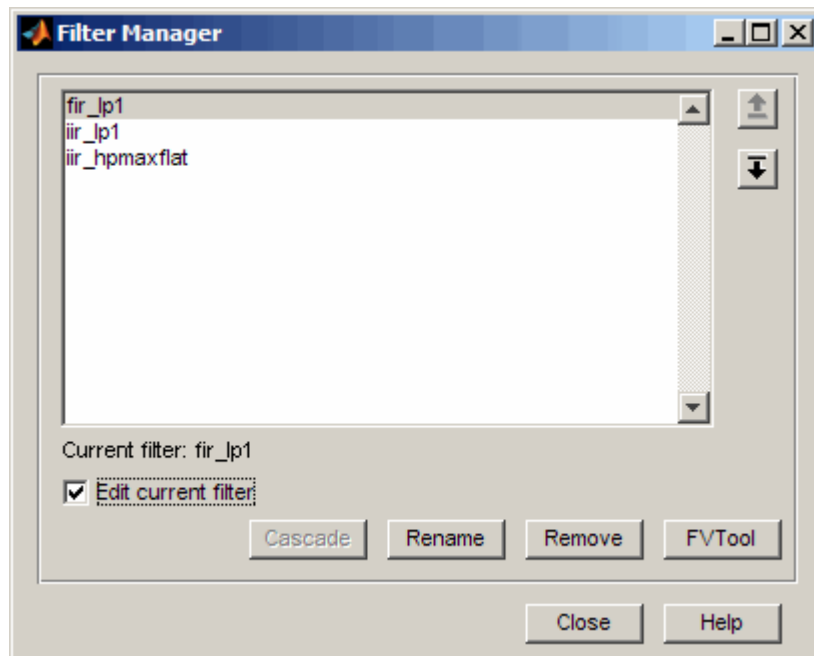
Before you export coefficients directly to memory, verify that your project allocated enough memory for the new filter coefficients. If your project allocated enough memory, you can modify your filter in FDATool and then follow the steps in this example to export the updated filter coefficients to the allocated memory.

If your new filter requires additional memory space, use a C header file to allocate memory on the processor and export the new coefficients as described in “Exporting Filter Coefficients to Your Code Composer Studio Project” on page 44-66.

For important guidelines on writing directly to processor memory, refer to “Preventing Memory Corruption When You Export Coefficients to Processor Memory” on page 44-71.

Follow these steps to export filter coefficients from FDATool directly to memory on your processor.

- 1 Load the program file that contains your filter into CCS IDE to activate the program symbol table. The symbol must contain the global variables you use to store the filter coefficients and length parameters.
- 2 Start FDATool.
- 3 Click **Filter Manager** to open the Filter Manager dialog, shown in the following figure.



- 4 Highlight the filter to modify on the list of filters, and select **Edit current filter**. The highlighted filter appears in FDATool for you to change.

If you did not store your filter from a previous session, design the filter in FDATool and continue.

- 5 Click **Close** to dismiss the Filter Manager dialog.
- 6 Adjust the filter specifications in FDATool to modify its performance.
- 7 In FDATool, select **Targets > Code Composer Studio IDE** to open the Export to Code Composer Studio IDE dialog.

Keep the export dialog open while you work. When you do so, the contents update as you change the filter in FDATool.

---

**Tip** Click **Generate** to export coefficients to the same processor memory location multiple times without reentering variable names.

---

- 8 In the Export to Code Composer Studio dialog:
  - Set **Export mode** to **Write directly to memory**
  - Clear **Disable memory transfer warnings** to get a warning if your processor does not support the export data type.
- 9 In **Variable names in target symbol table**, enter the names of the variables in the processor symbol table that correspond to the memory allocated for the parameters, such as **Numerator** and **Denominator**. Your names must match the names of the filter coefficient variables in your program.

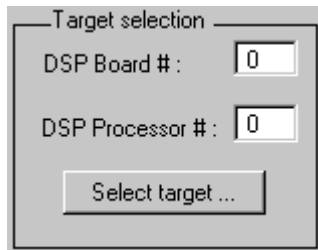
Variable names in target symbol table

Numerator:	<input type="text" value="NUM"/>	Numerator length:	<input type="text" value="NL"/>
Denominator:	<input type="text" value="DEN"/>	Denominator length:	<input type="text" value="DL"/>
Number of sections:	<input type="text" value="NS"/>		

- 10 Select **Export suggested** to accept the recommended export data type.

For more information about how FDATool determines the data type to suggest, refer to “How FDATool Determines the Export Suggested Data Type” on page 44-66.

- 11 If you know the board number and processor number of your target, enter **DSP Board #** and **DSP Processor #** values to identify your board.



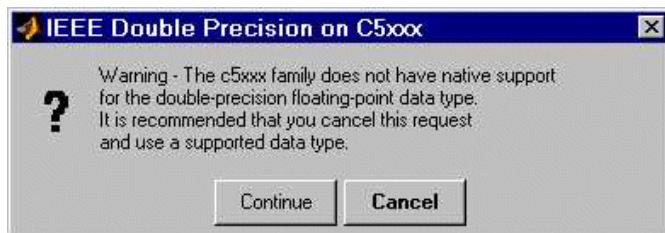

---

**Note:** When you have only one board or simulator, Embedded Coder sets **DSP Board #** and **DSP Processor #** to your board automatically.

---

If you have more than one board defined in CCS Setup:

- Click **Select target** to open the Selection Utility dialog.
  - Select the board name and processor name to use from the list of boards.
- 12** Click **Generate** to export your filter. If your processor does not support the data type you export, you see a warning similar to the following message.



You can continue to export the filter, or cancel the export process. To prevent this warning dialog from appearing, select **Disable memory transfer warnings** in the Export to Code Composer Studio IDE dialog.

- 13** (Optional) Continue to optimize filter performance by modifying your filter in FDATool and then export the updated filter coefficients directly to processor memory.
- 14** When you finish testing your filter, return to FDATool, and click **Store filter** to save your changes.

# Using Makefiles with Code Composer Studio 3.x

**In this section...**

“Introduction” on page 44-77

“Set Up XMakefile for CCSv3” on page 44-77

“Prepare Your Model for CCSv3 and Makefiles” on page 44-78

“Create Target Configuration File in CCSv3” on page 44-79

“Load and Run the Embedded Software” on page 44-79

## Introduction

This tutorial shows you how to use the XMakefile feature in your MathWorks software to build and run embedded software with Code Composer Studio 3.3 (CCSv3). For more information about XMakefile, see “Makefiles for Software Build Tool Chains” on page 41-15

---

**Note:** The Embedded Coder IDE Project Generator feature is not available for CCSv3 in the current release. For more information about IDE Project Generator, see “IDE Projects” on page 41-13

---

To build the target software, complete the process covered in this chapter:

- Set up XMakefile for CCSv3.
- Prepare your model for CCSv3.
- Create a Target Configuration File in CCSv3.
- Load and run the embedded software.

## Set Up XMakefile for CCSv3

The XMakefile feature tells your MathWorks software how to create makefiles for a *configuration*, which is a specific combination of tool chain and embedded target hardware. Some configurations require additional information before you can use them.

Select and complete a configuration for Code Composer Studio 3.3 (CCSv3):

- 1 Enter `xmakefilesetup` at the MATLAB command prompt. This action opens the XMakefile User Configuration dialog.
- 2 Clear **Display operational configurations only**. This displays the configuration files, including ones that need updated path information.
- 3 For **Configurations**, select a configuration that matches your target and ends with `ccsv3`. Then click **Apply**.
- 4 If the configuration is incomplete, the software displays a series of **Browse For Folder** dialog boxes that include instructions to provide missing information.
- 5 Examine the **Tool Directories** tab to see if the paths are right.
- 6 When you have supplied the missing information, and the configuration is complete, click **OK** to close the XMakefile User Configuration dialog.

For example, to generate code for CCSv3 and a C6000 processor with DSP/BIOS:

- 1 Enter `xmakefilesetup` on the command line.
- 2 In the XMakefile dialog, clear **Display operational configurations only**, set **Configurations** to `ticcs_c6000_dsplibios_ccsv3`, and click **Apply**.
- 3 A **Browse For Folder** appears, stating “Select the C6000 Code Generation Tools root installation directory...”.

Browse and select a path such as `C:\Program Files\Texas Instruments\C6000 Code Generation Tools`.

- 4 Another **Browse For Folder** dialog appears, stating “Select the C6000 CSL root installation directory...”.

Browse and select a path such as `C:\Program Files\C6xCSL\`.

- 5 Examine the **Tool Directories** tab to see if the paths are right.
- 6 With the updated information, the `ticcs_c6000_dsplibios_ccsv3` configuration is operational. Click **OK** to save the updated configuration, and close the dialog.

## Prepare Your Model for CCSv3 and Makefiles

- 1 Configure your model as described in “Configure Target Hardware Resources” on page 41-3
- 2 On the Coder Target pane, under the Tool Chain Automation tab, set **Build format** to **Makefile**.
- 3 Build your embedded software by pressing **CTRL+B**.

## Create Target Configuration File in CCSv3

Before loading and running your target software, use the CCSv3 IDE to create a “target configuration file”. The TI Debug Server uses this file while it works with CCSv3 to load and run your target software. The XML-based target configuration file describes the target board and processor. The file name ends with a \*.ccxml extension.

Create a target configuration file:

- 1 In the CCSv3, select **File > New > Target Configuration File** to display a **New Target Configuration** dialog:
  - For **File name**, update the file name that ends with **.ccxml** to describe your project and hardware.
  - Click **Finish**. This action displays a utility in the CCS editor pane for customizing the target configuration file.
- 2 Use the utility to select the **Connection** and **Device** type. Typing a partial string next to **Device** filters the list of devices.
- 3 Click **Save**.

---

**Note:** For more information about target configuration files, consult the Texas Instruments documentation for CCSv3.

---

## Load and Run the Embedded Software

First set the Windows system variable, Path, so you can call the TI Debug Server Scripting (DSS) API from a folder.

- 1 In Windows, right-click **My Computer**, and select **Properties**. This action opens the System Properties dialog.
- 2 In **System Properties**, select the **Advanced** tab, and click **Environment Variables**. This action opens the Environment Variables dialog.
- 3 In **Environment Variables**, under **System variables**, select the Path variable, and click **Edit**. This action opens the Edit System Variable dialog.
- 4 In Edit System Variable, for **Variable value**, append a semicolon and the full path of the \ccsv3\scripting\bin subdirectory. For example, append `;C:\ti\ccsv3\scripting\bin`.

---

**Note:** The path cannot contain spaces. Customize the installation directory when you install CCSv3 so it does not contain spaces.

---

For more information about using DSS, see [http://processors.wiki.ti.com/index.php/Debug\\_Server\\_Scripting](http://processors.wiki.ti.com/index.php/Debug_Server_Scripting).

MathWorks provides an example JavaScript file, `runProgram.js`, for you to use with DSS. This script loads and runs the specified program on the target specified in the target configuration file. You can create a copy of this script and modify it to suit your needs. The location of `runProgram.js` is:

```
[MATLABROOT]\toolbox\idelink\extensions\ticcs\ccsdemos
```

The specific syntax for running `dss.bat` with `runProgram.js` is:

```
> dss runProgram.js targetConfigurationFile programFile
```

Replace *targetConfigurationFile* and *programFile* with paths and file names. For example, if you are using a working directory called the CCSv3 workspace, and the model name is `myProgram`, enter:

```
> dss runProgram.js c:\workspace\myC6416dsk.ccxml myProgram.out
```

This command builds and loads your software on the target or simulator.

You have completed the process of loading and running embedded software using XMakefile and CCSv3.



## Reported Limitations and Tips

### In this section...

“Example Programs Do Not Run Well with Incorrect GEL Files” on page 44-81  
“Changing Values of Local Variables Does Not Work” on page 44-82  
“Code Composer Studio Cannot Find a File After You Halt a Program” on page 44-82  
“C54x XPC Register Can Be Modified Only Through the PC Register” on page 44-84  
“Working with More Than One Installed Version of Code Composer Studio” on page 44-84  
“Changing CCS Versions During a MATLAB Session” on page 44-85  
“MATLAB Hangs When Code Composer Studio Cannot Find a Board” on page 44-85  
“Using Mapped Drives” on page 44-86  
“Uninstalling Code Composer Studio 3.3 Prevents Embedded Coder From Connecting” on page 44-86  
“PostCodeGenCommand Commands Do Not Apply to IDE Projects” on page 44-87

Some long-standing issues apply to the Embedded Coder product. When you are using `ticcs` objects and the software methods to work with Code Composer Studio and supported hardware or simulators, recall the information in this section.

The latest issues in the list appear at the bottom. HIL refers to “hardware in the loop,” also called processor in the loop (PIL) here and in other applications, and sometimes referred to as function calls.

### Example Programs Do Not Run Well with Incorrect GEL Files

To run the Embedded Coder examples, you must load the corresponding GEL files before you run the examples. For some boards, the examples run fine with the default CCS GEL file. Some boards need to run device-specific GEL files for the examples to work well.

Here are examples and boards which require specific GEL files.

- Board: C5416 DSK

Examples: `rtdxtutorial`, `rtdx1msdemo`

Emulator: XDS-510

GEL file to load: `c5416_dsk.gel`

In general, if a example does not run with the default GEL file, try using a device-specific GEL file by defining the file in the CCS Setup Utility.

## Changing Values of Local Variables Does Not Work

If you halt the execution of your program on your DSP and modify a local variable's value, the new value may not be acknowledged by the compiler. If you continue to run your program, the compiler uses the original value of the variable.

This problem happens only with local variables. When you write to the local variable via the Code Composer Studio Watch Window or via a MATLAB object, you are writing into the variable's absolute location (register or address in memory).

However, within the processor function, the compiler sometimes saves the local variable's values in an intermediate location, such as in another register or to the stack. That intermediate location cannot be determined or changed/updated with a new value during execution. Thus the compiler uses the old, unchanged variable value from the intermediate location.

## Code Composer Studio Cannot Find a File After You Halt a Program

When you halt a running program on your processor, Code Composer Studio may display a dialog that says it cannot find a source code file or a library file.

When you halt a program, CCS tries to display the source code associated with the current program counter. If the program stops in a system library like the runtime library, DSP/BIOS, or the board support library, it cannot find the source code for debug. You can either find the source code to debug it or select the **Don't show this message again** check box to ignore messages like this in the future.

For more information about how CCS responds to the halt, refer the online Help for CCS. In the online help system, use the search engine to search for the keywords "Troubleshooting" and "Support." The following information comes from the online help for CCS, starting with the error message:

## File Not Found

The debugger is unable to locate the source file required to enable source-level debugging for this program.

To specify the location of the source file

- 1 Click **Yes**. The *Open* dialog appears.
- 2 In the *Open* dialog, specify the location and name of the source file then click **Open**.

The next section provides more details about file paths.

## Defining a Search Path for Source Files

The *Directories* dialog enables you to specify the search path the debugger uses to find the source files included in a project.

### To Specify Search Path Directories

- 1 Select **Option > Customize**.
- 2 In the *Customize* dialog, select the **Directories** tab. Use the scroll arrows at the top of the dialog to locate the tab.

The *Directories* dialog offers the following options.

- **Directories**. The **Directories** list displays the defined search path. The debugger searches the listed folders in order from top to bottom.

If two files have the same name and are located in different folders, the file located in the folder that appears highest in the **Directories** list takes precedence.

- **New**. To add a new folder to the **Directories** list, click **New**. Enter the full path or click **browse [...]** to navigate to a folder. By default, the new folder is added to the bottom of the list.
- **Delete**. Select a folder in the **Directories** list, then click **Delete** to remove that folder from the list.
- **Up**. Select a folder in the **Directories** list, then click **Up** to move that folder higher in the list.
- **Down**. Select a folder in the **Directories** list, then click **Down** to move that folder lower in the list.

- 3 Click **OK** to close the *Customize* dialog and save your changes.

## C54x XPC Register Can Be Modified Only Through the PC Register

You cannot modify the XPC register value directly using `regwrite` to write into the register. When you are using extended program addressing in C54x, you can modify the XPC register by using `regwrite` to write a 23-bit data value in the PC register. Along with the 16-bit PC register, this operation also modifies the 7-bit XPC register that is used for extended program addressing. On the C54x, the PC register is 23 bits (7 bits in XPC + 16 bits in PC).

You can then read the XPC register value using `regread`.

## Working with More Than One Installed Version of Code Composer Studio

When you have more than one version of Code Composer Studio installed on your machine, you cannot select which CCS version MATLAB Embedded Coder attaches to when you create a `ticcs` object. If, for example, you have both CCS for C5000 and CCS for C6000 versions installed, you cannot choose to connect to the C6000 version rather than the C5000 version.

When you issue the command

```
IDE_obj = ticcs
```

Embedded Coder starts the CCS version you last used. If you last used your C5000 version, the `IDE_obj` object accesses the C5000 version.

### Workaround

To make your `ticcs` object access the right processor:

- 1 Start and close the CCS version you plan to use before you create the `ticcs` object in MATLAB.
- 2 Create the `ticcs` object using the `boardnum` and `procnum` properties to select your processor, if required.

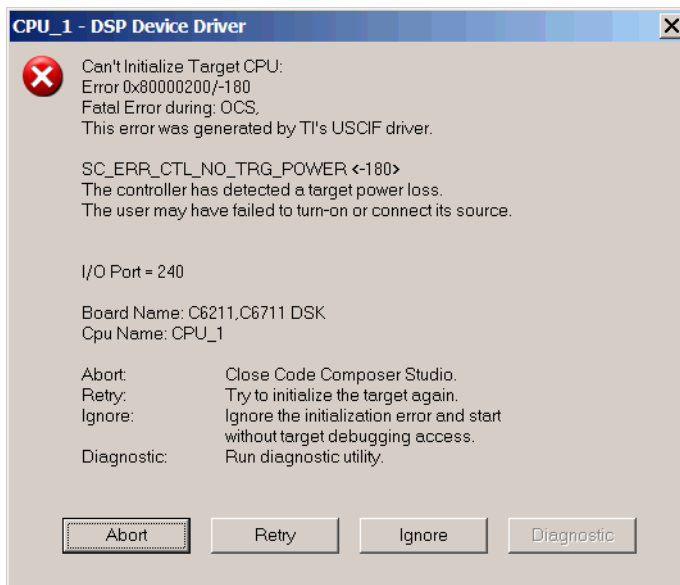
Recall that `ccsboardinfo` returns the `boardnum` and `procnum` values for the processors that CCS recognizes.

## Changing CCS Versions During a MATLAB Session

You can use only one version of CCS in a single MATLAB session. Embedded Coder does not support using multiple versions of CCS in a MATLAB session. To use another CCS version, exit MATLAB software and restart it. Then create your links to the new version of CCS.

## MATLAB Hangs When Code Composer Studio Cannot Find a Board

In MATLAB software, when you create a `ticcs` object, the construction process for the object automatically starts CCS. If CCS cannot find a processor that is connected to your PC, you see a message from CCS like the following DSP Device Driver dialog that indicates CCS could not initialize the processor.



Four options let you decide how to respond to the failure:

- **Abort** — Closes CCS and suspends control for about 30 seconds. If you used MATLAB software functions to open CCS, such as when you create a `ticcs` object, the system returns control to MATLAB command window after a considerable delay, and issues this warning:

??? Unable to establish connection with Code Composer Studio.

- **Ignore** — Starts CCS without connecting to a processor. In the CCS IDE you see a status message that says EMULATOR DISCONNECTED in the status area of the IDE. If you used MATLAB to start CCS, you get control immediately and Embedded Coder creates the `ticcs` object. Because CCS is not connected to a processor, you cannot use the object to perform processor operations from MATLAB, such as loading or running programs.
- **Retry** — CCS tries again to initialize the processor. If CCS continues not to find your hardware processor, the same DSP Device Driver dialog reappears. This process continues until either CCS finds the processor or you choose one of the other options to respond to the warning.

One more option, **Diagnostic**, lets you enter diagnostic mode if it is enabled. Usually, **Diagnostic** is not available for you to use.

## Using Mapped Drives

Limitations in Code Composer Studio do not allow you to load programs after you set your CCS working folder to a read-only mapped drive. Load operations fail with an Application Error dialog.

The following combination of commands does not work:

- 1 `cd(IDE_obj, 'mapped_drive_letter')` % Change CCS working directory to read-only mapped drive.
- 2 `load(IDE_obj, 'program_file')` % Loading program fails.

## Uninstalling Code Composer Studio 3.3 Prevents Embedded Coder From Connecting

Description On a machine where CCS 3.3 and CCS 3.1 are installed, uninstalling 3.3 makes 3.1 unusable from MATLAB. This is because the CCS 3.3 uninstaller leaves stale registry entries in the Windows Registry that prevent MATLAB from connecting to CCS 3.1.

Texas Instruments has documented this uninstall problem and the solution on their Web site.

Updated information on this issue may also be available from the Bug Reports section of [www.mathworks.com](http://www.mathworks.com) at <http://www.mathworks.com/support/bugreports/379676>

## **PostCodeGenCommand Commands Do Not Apply to IDE Projects**

PostCodeGenCommand commands, such as the addCompileFlags and addLinkFlags functions in the BuildInfo API do not alter code generated by Embedded Coder while **System Target File** is set to `idelink_ert.tlc` or `idelink_grt.tlc`.

Use the 'Compiler options string' and 'Linker options string' parameters located in the Configuration Parameters dialog (**Ctrl+E**) on the Code Generation > Coder Target pane instead. You can also automate this process using a model callback to SET\_PARAM the 'CompilerOptionsStr' and 'LinkerOptionsStr' parameters.

## Setting Up Code Composer Studio (ert.tlc System Target File)

### In this section...

“Prepare Your Model for CCSv3.3” on page 44-88

“Prepare Your Model for CCSv4/5/6” on page 44-88

### Prepare Your Model for CCSv3.3

For Code Composer Studio 3.3, select Texas Instruments Code Composer Studio v3.3 (C2000) as the toolchain, and press Ctrl + B to build and generate the .out (executable) file. To download and run the executable, use Code Composer Studio.

### Prepare Your Model for CCSv4/5/6

- 1 Configure your model as described in “Hardware Implementation Pane”, setting **Toolchain** to Texas Instruments Code Composer Studio v4 (C2000), Texas Instruments Code Composer Studio v5 (C2000) or Texas Instruments Code Composer Studio v6 (C2000).
- 2 If you want to load and run the application automatically after the build, on the **Coder Target** pane, select **Build, load and run** value from **Build action** and specify the \*.ccxml file in **CCS hardware configuration file** that matches the selected target hardware.

Otherwise, you have to create your own .ccxml file that matches the target hardware and the connection. See “Create Target Configuration File in CCSv4/5/6” on page 44-88 to create your own .ccxml file (Target Configuration File) in CCSv4/5/6.

- 3 Build your embedded software by pressing **CTRL+B**.

### Create Target Configuration File in CCSv4/5/6

Before loading and running your target software, use the CCSv4/5/6 IDE to create a “target configuration file”. The TI Debug Server uses this file while it works with CCSv4/5 to load and run your target software.

Create a target configuration file:

- 1 In the CCSv4/5/6, select **File > New > Target Configuration File** to display a **New Target Configuration** dialog:



- For **File name**, update the file name that ends with `.ccxml` to describe your project and hardware.
  - Click **Finish**. This action displays a utility in the CCSv4/5/6 editor pane for customizing the target configuration file.
- 2** Use the utility to select the **Connection** and **Device** type. Typing a partial string next to **Device** filters the list of devices.
  - 3** Click **Save**.

## IDE Link Frequently Asked Question: Why do I get an error when I invoke TICCS?

### In this section...

“Why do I get an error when I invoke TICCS?” on page 44-90

“How can I fix this problem?” on page 44-90

“What happens if I click Deselect All when CCS prompts that 'New components were detected'?” on page 44-92

“How do I use CCS Component Manager to enable IDE Link Components?” on page 44-92

### Why do I get an error when I invoke TICCS?

IDE Link uses a plugin component that needs to be registered with CCS. If the plugin is not registered, you get the following error messages when you invoke TICCS.

Example 1:

```
cc = ticcs
```

```
Could not start the MATLAB(R) component in CCS.  
Please use IDE Link FAQ to troubleshoot the problem.
```

Example 2:

```
cc = ticcs
```

```
Could not start the MATLAB component in CCS.
```

### How can I fix this problem?

To fix this problem, perform the following steps:

- 1 Register IDE Link components.
- 2 Enable IDE Link component.

#### Register IDE Link Components

The following instructions show you how to register the components required by IDE Link.

---

**Note:** Before you register the components, you must have write permission to modify the registry. If you do not have this permission, look for someone who has (e.g., system administrator) and have this person perform the registration.

---

- 1 Close Code Composer Studio IDE.
- 2 Close MATLAB.
- 3 Open a Microsoft Windows Command Prompt by clicking Start and then Programs > Accessories > Command Prompt.

- 4 Register the LinkCCS.dll component. In MATLAB Command Window, enter:

```
regsvr32 [MATLABROOT]\bin\win32\LinkCCS.dll
```

- 5 Verify that the preceding command displays the following message in a dialog box:

```
DllRegisterServer in [MATLABROOT]\bin\win32\LinkCCS.dll succeeded
```

- 6 Register the MWCCSStu.ocx component. In MATLAB Command Window, enter:

```
regsvr32 [MATLABROOT]\toolbox\idelink\extensions\ticcs\bin\win32\MWCCSStu.ocx
```

- 7 Verify that the preceding command displays the following message in a dialog box:

```
DllRegisterServer in [MATLABROOT]\toolbox\idelink\extensions\ticcs\bin\win32\MWCCSStu.ocx succeeded
```

After you register the components, enable the CCS component before using IDE Link.

### To enable IDE Link Component

- 1 Open MATLAB
- 2 Enter `cc = ticcs` at the MATLAB prompt. CCS starts and prompts that "New components were detected".
- 3 Click Yes to enable components for compatible CCS releases. The first time CCS is invoked (either through TICCS or directly), it detects new components and asks if you want enable them. You see the following dialog:

---

**Note:** Click OK to enable the new component. For more information on ticcs or to see this FAQ again, enter `help ticcs` at the MATLAB prompt. For your convenience these instructions are available [here](#).

---

## **What happens if I click Deselect All when CCS prompts that 'New components were detected'?**

You will not be able to use IDE Link. The New Components dialog box appears only once.

To enable the components after you click 'Deselect All', use the CCS Component Manager.

## **How do I use CCS Component Manager to enable IDE Link Components?**

- 1** To open the CCS Component Manager, select Start and then Programs > Texas Instruments > Code Composer Studio 3.x > Component Manager. The left pane of the Component Manager presents the CCS installations select tree.
- 2** On the select tree, double-click The MathWorks, Inc. to see the MathWorks components.
- 3** Select the checkbox for [MATLABROOT]\toolbox\idelink\extensions\tics\bin\win32 to enable the component.
- 4** Select File > Save from the menu bar to save the new settings and then close the Component Manager.

# Working with Texas Instruments Code Composer Studio 4 & 5 IDE

---

- “Set Up” on page 45-2
- “Code Composer Studio” on page 45-3
- “Getting Started” on page 45-4
- “Using Makefiles with Code Composer Studio 4/5” on page 45-5
- “Reported Limitations and Tips” on page 45-11

## Set Up

Before you use Embedded Coder with Code Composer Studio (CCS IDE) for the first time, use the `checkEnvSetup` function to check for third-party tools and set environment variables. Run `checkEnvSetup` again whenever you configure CCS IDE to interact with a new board or processor, or upgrade the related third-party tools.

To verify that CCSv3 is installed on your machine and has at least one board configured, enter

```
ccsboardinfo
```

in the MATLAB Command Window. With CCS installed and configured, MATLAB software returns information about the boards that CCS recognizes on your machine, in a form similar to the following listing.

Board Num	Board Name	Proc Num	Processor Name	Processor Type
1	C6xxx Simulator (Texas Instrum	.0	6701	TMS320C6701
0	C6x13 DSK (Texas Instruments)	0	CPU	TMS320C6x1x

If MATLAB software does not return information about the boards, open your CCS installation and use the Setup Utility in CCS to configure at least one board.

As a final test, start CCS to verify that it runs. For Embedded Coder to operate with CCS, the CCS IDE must be able to run on its own.

# Code Composer Studio

## Feature Support

When you use Code Composer Studio 4 or Code Composer Studio 5 with Embedded Coder software, you can use:

- Makefiles to automate building and deploying software to target hardware. For more information, see “Makefiles for Software Build Tool Chains” on page 41-15 and “Using Makefiles with Code Composer Studio 4/5” on page 45-5.
- Processor-in-the-loop (PIL) simulations to verify your software running on target hardware. For more information, see “PIL Simulation for IDE and Toolchain Targets” on page 42-2.
- Execution profiling with PIL to measure the performance of synchronous tasks running on target hardware. For more information, see “Execution Profiling During PIL Simulation” on page 42-25.

Features that require IDE projects (**Build format = Project**), such as IDE Project Generator and IDE Automation Interface, are not available for use with Code Composer Studio 4 & 5.

You can use CCSv4/5 with the Simulink Block Libraries for the following Texas Instruments processors:

- TI's C2000
- TI's C5000
- TI's C6000

## Getting Started

<b>In this section...</b>
“Verifying Your Code Composer Studio Installation” on page 45-4
“Learning About Makefiles” on page 45-4

### Verifying Your Code Composer Studio Installation

On your host computer, install CCSv4/5 and other third-party tools for your board and processor, and set the environment variables. Then use the `checkEnvSetup` function in MATLAB to verify that your setup includes the required software. For more information and examples, see `checkEnvSetup`.

### Learning About Makefiles

To learn about using makefiles, see “Makefiles for Software Build Tool Chains” on page 41-15.

For an example of using CCSv4/5 with makefiles, model-block PIL, and the Serial Communications Interface (SCI), see “Performing a Model Block PIL Simulation via SCI Using Makefiles” on page 42-13.



## Using Makefiles with Code Composer Studio 4/5

### In this section...

“Introduction” on page 45-5

“Set Up XMakefile for CCSv4/5” on page 45-5

“Prepare Your Model for CCSv4/5 and Makefiles” on page 45-6

“Create Target Configuration File in CCSv4/5” on page 45-7

“Configure Windows Path for TI Debug Server Scripting (DSS)” on page 45-7

“Load and Run the Embedded Software Using DSS” on page 45-8

### Introduction

This tutorial shows you how to use the XMakefile feature in your MathWorks software to build and run embedded software with Code Composer Studio 4 or 5 (CCSv4/5). For more information about XMakefile, see “Makefiles for Software Build Tool Chains” on page 41-15

---

**Note:** The Embedded Coder IDE Project Generator feature is not available for CCSv4/5 in the current release. For more information about IDE Project Generator, see “IDE Projects” on page 41-13

---

To build the target software, complete the process covered in this chapter:

- Set up XMakefile for CCSv4/5.
- Prepare your model for CCSv4/5.
- Create a Target Configuration File in CCSv4/5.
- Load and run the embedded software.

### Set Up XMakefile for CCSv4/5

The XMakefile feature tells your MathWorks software how to create makefiles for a *configuration*, which is a specific combination of tool chain and embedded target hardware. Some configurations require additional information before you can use them.

Select and complete a configuration for Code Composer Studio 4 & 5 (CCSv4/5):

- 1 Enter `xmakefilesetup` at the MATLAB command prompt. This action opens the XMakefile User Configuration dialog.
- 2 Clear **Display operational configurations only**. This displays the configuration files, including ones that need updated path information.
- 3 For **Configurations**, select a configuration that matches your target and ends with `ccsv4` or `ccsv5`. Then click **Apply**.
- 4 If the configuration is incomplete, the software displays a series of **Browse For Folder** dialog boxes that include instructions to provide missing information.
- 5 Examine the **Tool Directories** tab to see if the paths are right.
- 6 When you have supplied the missing information, and the configuration is complete, click **OK** to close the XMakefile User Configuration dialog.

For example, to generate code for CCSv4/5 and a C6000 processor with DSP/BIOS:

- 1 Enter `xmakefilesetup` on the command line.
- 2 In the XMakefile dialog, clear **Display operational configurations only**, set **Configurations** to `ticcs_c6000_dspbios_ccsv4` or `ticcs_c6000_dspbios_ccsv5`, and click **Apply**.
- 3 A **Browse For Folder** appears, stating “Select the C6000 Code Generation Tools root installation directory...”.

Browse and select a path such as `C:\Program Files\Texas Instruments\C6000 Code Generation Tools`.

- 4 Another **Browse For Folder** dialog appears, stating “Select the C6000 CSL root installation directory...”.

Browse and select a path such as `C:\Program Files\C6xCSL\`.

- 5 Examine the **Tool Directories** tab and verify the paths shown there. Verify the DSP/BIOS and XDC installation folders.
- 6 With the updated information, the `ticcs_c6000_dspbios_ccsv4` or `ticcs_c6000_dspbios_ccsv5` configuration is operational. Click **OK** to save the updated configuration, and close the dialog.

## Prepare Your Model for CCSv4/5 and Makefiles

- 1 Configure your model as described in “Configure Target Hardware Resources” on page 41-3, setting **IDE/Tool Chain** to Texas Instruments Code Composer

Studio v4 (makefile generation only) or Texas Instruments Code Composer Studio v5 (makefile generation only).

Choosing either of those options automatically sets **Build format** to Makefile.

- 2 Build your embedded software by pressing **CTRL+B**.

## Create Target Configuration File in CCSv4/5

Before loading and running your target software, use the CCSv4/5 IDE to create a “target configuration file”. The TI Debug Server uses this file while it works with CCSv4/5 to load and run your target software. The XML-based target configuration file describes the target board and processor. The file name ends with a `*.ccxml` extension.

Create a target configuration file:

- 1 In the CCSv4/5, select **File > New > Target Configuration File** to display a **New Target Configuration** dialog:
  - For **File name**, update the file name that ends with `.ccxml` to describe your project and hardware.
  - Click **Finish**. This action displays a utility in the CCSv4/5 editor pane for customizing the target configuration file.
- 2 Use the utility to select the **Connection** and **Device** type. Typing a partial string next to **Device** filters the list of devices.
- 3 Click **Save**.

---

**Note:** For more information about target configuration files, consult the Texas Instruments documentation for CCSv4/5.

---

## Configure Windows Path for TI Debug Server Scripting (DSS)

Set the Windows system variable, Path, so you can call the TI Debug Server Scripting (DSS) API from a folder.

- 1 In Windows, right-click **My Computer**, and select **Properties**. This action opens the System Properties dialog.
- 2 In **System Properties**, select the **Advanced** tab, and click **Environment Variables**. This action opens the Environment Variables dialog.

- 3 In **Environment Variables**, under **System variables**, select the Path variable, and click **Edit**. This action opens the Edit System Variable dialog.
- 4 In Edit System Variable, for **Variable value**, append a semicolon and the full path of the `\ccsv4\scripting\bin` or `\ccsv5\scripting\bin` subdirectory. For example, append `;C:\ti\ccsv4\scripting\bin`.

---

**Note:** The path cannot contain spaces. Customize the installation directory when you install CCSv4/5 so it does not contain spaces.

---

## Load and Run the Embedded Software Using DSS

MathWorks provides an example JavaScript file, `runProgram.js`, for you to use with DSS. This script loads and runs the specified program on the target specified in the target configuration file. You can create a copy of this script and modify it to suit your needs. The location of `runProgram.js` is:

```
[MATLABROOT]\toolbox\idelink\extensions\ticcs\ccsdemos
```

## Load and Run Embedded Software Automatically Using XMakefile Configuration

The syntax for running `dss.bat` with `runProgram.js` using XMakefile Configuration is:

```
> dss runProgramFile targetConfigurationFile [|||MW_XMK_GENERATED_TARGET_REF[E]|||]
```

For example, to automate, load, and run an embedded software on C2000 processor with CCSv4/5 using xmakefile configuration, the steps are as follows:

- 1 Enter `xmakefilesetup` on the [MATLAB] command prompt.
- 2 In the **XMakefile User Configuration** dialog box, clear **Display operational configurations only** check box.
- 3 Select `ticcs_c2000_ccsv4` or `ticcs_c2000_ccsv5` in **Configuration** parameter.
- 4 Click **Apply**.
- 5 Create a new Configuration as explained in the section, “Creating a New XMakefile Configuration” on page 41-20.
- 6 Select **Execute** tab. In this tab, enter values for the syntax  

```
> dss runProgramFile targetConfigurationFile
```

`[| | | MW_XMK_GENERATED_TARGET_REF[E] | | |]`  
in the **Execute tool** and **Arguments** parameters.

- In the **Execute tool** parameter, enter the executable name 'dss.bat'.
- In the **Arguments** parameter, replace `runProgramFile` and `targetConfigurationFile` with complete filepath.

When you enter the filepath, use double quotes or double back-slashes.

For example:

```
[MATLABROOT]\\toolbox\\idmlink\\extensions\\ticcs\\ccsdemos\\
\\runProgram.js
```

```
C:\\ccsv4\\CCSTargetConfigurations\\ezdsp28335.ccxml
```

```
[| | | MW_XMK_GENERATED_TARGET_REF[E] | | |]
```

or

```
"[MATLABROOT]\\toolbox\\idmlink\\extensions\\ticcs\\ccsdemos\\runProgram.js"
```

```
"C:\\ccsv4\\CCSTargetConfigurations\\ezdsp28335.ccxml"
```

```
[| | | MW_XMK_GENERATED_TARGET_REF[E] | | |]
```

You have completed the process of loading and running the embedded software using XMakefile on the target or simulator.

### Load and Run Embedded Software Using Windows Command Prompt

The syntax for running `dss.bat` with `runProgram.js` using Windows command prompt is:

```
> dss runProgramFile targetConfigurationFile programFile
```

Replace `runProgramFile`, `targetConfigurationFile`, and the `programFile` with complete file path and the file name. For example, if you are using a working directory called 'CCSv4/5 workspace', and the model name 'myProgram', enter,

```
> dss c:\\ccsv4\\runProgram.js c:\\workspace\\myC6416dsk.ccxml
c:\\test\\myProgram.out
```

This command loads and runs the embedded software on the target or simulator.

For more information about using DSS, see [http://processors.wiki.ti.com/index.php/Debug\\_Server\\_Scripting](http://processors.wiki.ti.com/index.php/Debug_Server_Scripting).

### Troubleshooting DSS

With Code Composer Studio 4 & 5, using `runProgram.js` to download and run the generated program file can produce an error message similar to:

```
SEVERE: Could not open session. Found 2 devices matching: .*
Spectrum Digital DSK-EVM-eZdsp onboard USB Emulator_0/C64XP_0
Spectrum Digital DSK-EVM-eZdsp onboard USB Emulator_0/IcePick_C_0
```

If this happens, specify one of the devices in line 65 in `runProgram.js`. For example:

```
debugSession = debugServer.openSession(".*C64XP.*");
```

Alternatively, to connect to the first board & CPU detected, use ("`*`", "`*`") in line 65. For example:

```
debugSession = debugServer.openSession("*", "*");
```

Remember to restore the original code to work with other devices.

### Advanced DSS Features

To use advanced DSS features, you can also use the CCSv4/5 example batch file, `loadti.bat`, as follows:

Change directories to the `loadti` subdirectory. For example:

```
> cd c:\ccs4_install\ccsv4\scripting\examples\loadti
```

Run `loadti.bat` using the following syntax:

```
> loadti -a -c=targetConfigurationFile programFile
```

Replace `targetConfigurationFile` with the complete path of the target configuration file.

Replace `programFile` with the name of the `.out` created using the XMakefile feature. For example:

```
> loadti -a -c=c:\workspace\myC6416dsk.ccxml myProgram.out
```

For more information about `loadti` and its options, type the following on your system command prompt

```
> loadti -help
```

## Reported Limitations and Tips

### In this section...

“Example Programs Do Not Run well with Incorrect GEL Files” on page 45-11

“PostCodeGenCommand Commands Do Not Apply to IDE Projects” on page 45-11

Some long-standing issues apply to the Embedded Coder product.

### Example Programs Do Not Run well with Incorrect GEL Files

To run the Embedded Coder examples, you must load the GEL files before you run the examples. For some boards, the examples run fine with the default CCSv4/5 GEL file. Some boards need to run device-specific GEL files for the examples to work.

Here are examples and boards which require specific GEL files.

- Board: C5416 DSK

Examples: `rtdxtutorial`, `rtdx1msdemo`

Emulator: XDS-510

GEL file to load: `c5416_dsk.gel`

In general, if a example does not run with the default GEL file, try using a device-specific GEL file by defining the file in the CCSv4/5 Setup Utility.

### PostCodeGenCommand Commands Do Not Apply to IDE Projects

PostCodeGenCommand commands, such as the `addCompileFlags` and `addLinkFlags` functions in the BuildInfo API do not alter code generated while **System Target File** is set to `idelink_ert.tlc` or `idelink_grt.tlc`.

Use the 'Compiler options string' and 'Linker options string' parameters located in the Configuration Parameters dialog (**Ctrl+E**) on the **Code Generation > Coder Target** pane instead. You can also automate this process using a model callback to `SET_PARAM` the 'CompilerOptionsStr' and 'LinkerOptionsStr' parameters.





# Code Generation from MATLAB Code



# Build Configuration for Code Generation from MATLAB Code

---

- “Specify Comment Style for C/C++ Code” on page 46-2
- “Specify Indent Style for C/C++ Code” on page 46-4
- “Generate Custom File and Function Banners for C/C++ Code” on page 46-6
- “Code Generation Template Files for MATLAB” on page 46-9
- “Customize Generated Identifiers” on page 46-20
- “Control Signed Left Shifts in Generated Code” on page 46-23
- “Control Data Type Casts in Generated Code” on page 46-25

## Specify Comment Style for C/C++ Code


### In this section...

“Specify Comment Style Using the MATLAB Coder App” on page 46-2

“Specify Comment Style Using the Command-Line Interface” on page 46-3

If you have an Embedded Coder license, you can specify the comment style for C/C++ code generated from MATLAB code. Specify single-line style to generate single-line comments preceded by `//`. Specify multi-line style to generate single-line or multi-line comments delimited by `/*` and `*/`. Single-line style is the default for C++ code generation. Multi-line style is the default for C code generation. For C code generation, select single-line comment style only if your compiler supports it.

### Specify Comment Style Using the MATLAB Coder App

- 1 On the **Generate Code** page, to open the **Generate** dialog box, click the **Generate** arrow .
- 2 Set **Build type** to one of the following:
  - Source Code
  - Static Library (.lib)
  - Dynamic Library (.dll)
  - Executable (.exe)
- 3 Click **More Settings**.
- 4 On the **Code Appearance** tab, select the **Include comments** check box if it is not already selected. By default, the **Include comments** check box is selected.
- 5 Set **Comment Style** to one of the following options.

Value	Description
Auto(Use standard comment style of the target language)	For C, generate multi-line comments. For C++, generate single-line comments. (default)
Single-line (Use C++-style comments)	Generate single-line comments preceded by <code>//</code> .
Multi-line (Use C-style comments)	Generate single or multi-line comments delimited by <code>/*</code> and <code>*/</code> .

## Specify Comment Style Using the Command-Line Interface

- 1 Create a code configuration object for C/C++ code generation. For example, create a configuration object for C/C++ static library generation:

```
cfg = coder.config('lib', 'ecoder', true);
```

- 2 Set the `CommentStyle` property to one of the following values:

Value	Description
'Auto'	For C, generate multi-line comments. For C++, generate single-line comments. (default)
'Single-line'	Generate single-line comments preceded by <code>//</code> .
'Multi-line'	Generate single or multi-line comments delimited by <code>/*</code> and <code>*/</code> .

For example, this code sets the comment style to single-line style:

```
cfg.CommentStyle='Single-line';
```

## Specify Indent Style for C/C++ Code

### In this section...

“Specify Indent Style Using the MATLAB Coder App” on page 46-5

“Specify Indent Style Using the Command-Line Interface” on page 46-5

If you have an Embedded Coder license, you can control the indent style and indent size in C/C++ code generated from MATLAB code. Indent style controls the placement of braces. Indent size controls the number of characters per indentation level.

You can specify the K&R indent style or the Allman indent style. Both styles:

- Place the function opening and closing braces on their own lines at the same indentation level as the function header.
- Indent code within the function according to the indent size.
- For blocks within a function, place closing braces on a new line at the same indentation level as the control statement.
- Indent code within a block according to the indent size.

The K&R style and the Allman style differ in their placement of the opening brace for a control statement. If you want the opening brace on the same line as its control statement, select the K&R style. Here is code that has the K&R indent style:


```
void addone(const double x[6], double z[6])
{
    int i0;
    for (i0 = 0; i0 < 6; i0++) {
        z[i0] = x[i0] + 1.0;
    }
}
```

If you want the opening brace on its own line, select the Allman style. Here is code that has the Allman indent style:

```
void addone(const double x[6], double z[6])
{
    int i0;
    for (i0 = 0; i0 < 6; i0++)
    {
        z[i0] = x[i0] + 1.0;
    }
}
```

```
}  
}
```

## Specify Indent Style Using the MATLAB Coder App

- 1 On the **Generate Code** page, to open the **Generate** dialog box, click the **Generate** arrow .
- 2 Set **Build type** to one of the following:
  - Source Code
  - Static Library (.lib)
  - Dynamic Library (.dll)
  - Executable (.exe)
- 3 Click **More Settings**.
- 4 On the **All Settings** tab, under **Advanced**, set **Indent style** to K&R or Allman.
- 5 On the **All Settings** tab, under **Advanced**, set **Indent size** to an integer from 2 to 8.

## Specify Indent Style Using the Command-Line Interface

- 1 Create a code configuration object for 'lib', 'dll', or 'exe'. For example:

```
cfg = coder.config('lib','ecoder',true); % or dll or exe
```
- 2 Set the `IndentStyle` property to 'K&R' or 'Allman'. For example:

```
cfg.IndentStyle = 'Allman';
```
- 3 Set the `IndentSize` property to an integer from 2 to 8. For example:

```
cfg.IndentSize = 4;
```

## Generate Custom File and Function Banners for C/C++ Code

When you generate C and C++ code from MATLAB code, you can use a code generation template (CGT) file to specify custom:

- File banners
- Function Banners
- File trailers
- Comments before code sections

This example shows how you can create your own CGT file and customize it to generate your own file and function banners.

- 1 Create a local copy of the default CGT file for MATLAB Coder and rename it. The default CGT file is `matlabcoder_default_template.cgt` in the `matlabroot/toolbox/coder/matlabcoder/templates/` folder.
- 2 Store the copy in a folder that is outside of the MATLAB folder structure, but on the MATLAB path. If necessary, add the folder to the MATLAB path. If you intend to use the CGT file with a custom target, locate the CGT file in a folder under your target root folder. If the file is not on the MATLAB path, specify a full path to the file when adding the file to your configuration.
- 3 View the default template and generated output. For example, here is the default File Banner section:

```

%%%%%%%%%%%%%%%%%%%%%%%%%%%%%%%%%%%%%%%%%%%%%%%%%%%%%%%%%%%%%%%%%%%%%%%%
%% Custom File Banner section (optional)
%% Customize File banners by using either custom tokens or the following
%% predefined tokens:
%% %<FileName>, %<MATLABCoderVersion>, %<EmbeddedCoderVersion>
%% %<SourceGeneratedOn>, %<HardwareSelection>, %<OutputType>
%%
%% You can also use "custom tokens" in all of the sections below. See the
%% documentation center for more details.
%%
<FileBanner style="classic">
File: %<FileName>

MATLAB Coder version      : %<MATLABCoderVersion>
C/C++ source code generated on : %<SourceGeneratedOn>
</FileBanner>

```

When you generate code using this default, the file banner looks similar to this file banner:

```

/*
 * File: coderand.c

```



```

*
* MATLAB Coder version      : 2.7
* C/C++ source code generated on : 06-Apr-2014 14:34:15
*/

```

- 4 Edit your local copy of the CGT file. You can change the default values and add your own custom tokens. For example, here is the File Banner section with the style changed to `box` and a custom token `myCustomToken`:

```

%%%%%%%%%%%%%%%%%%%%%%%%%%%%%%%%%%%%%%%%%%%%%%%%%%%%%%%%%%%%%%%%%%%%%%%%
%% Custom File Banner section (optional)
%% Customize File banners by using either custom tokens or the following
%% predefined tokens:
%% %<FileName>, %<MATLABCoderVersion>, %<EmbeddedCoderVersion>
%% %<SourceGeneratedOn>, %<HardwareSelection>, %<OutputType>
%%
%% You can also use "custom tokens" in all of the sections below. See the
%% documentation center for more details.
%%
<FileBanner style="box">
File: %<FileName>

My custom token      : %<myCustomToken>

MATLAB Coder version      : %<MATLABCoderVersion>
C/C++ source code generated on : %<SourceGeneratedOn>
</FileBanner>

```

For more information, see “Code Generation Template Files for MATLAB” on page 46-9.

- 5 Create a configuration object for generation of a C static library for an embedded target.

```

% Create configuration object for an embedded target
cfgObj = coder.config('lib','ecoder',true);

```

- 6 Create a `MATLABCodeTemplate` object from your CGT file and add it to the configuration object.

```

% Specify the custom CGT file
CGTFile = 'myCGTFile.cgt';
% Use custom template
cfgObj.CodeTemplate = coder.MATLABCodeTemplate(CGTFile);

```

- 7 Assign values for custom tokens that you added to the template. For example, assign the value `'myValue'` to the `myCustomToken` token that you added in a previous step.

```

cfgObj.CodeTemplate.setTokenValue('myCustomToken','myValue');

```

- 8 Generate code using the configuration object that you created.

```
codegen -config cfgObj coderand
```

- 9 View the changes to the generated file banner. For example, here is the file banner for `coderand.c` using the customized CGT file:

```

/*****
/* File: coderand.c                                     */
/*                                                     */
/* My custom token           : myValue                 */
/*                                                     */
/* MATLAB Coder version      : 2.7                    */
/* C/C++ source code generated on : 06-Apr-2014 14:42:55 */
*****/

```

Changes to a CGT file do not affect the generated code unless you create a `MATLABCodeTemplate` object from the modified CGT file, and then add it to the configuration object. If you modify the CGT File, `myCGTFile.cgt`, used in the previous example, you must repeat these steps:

- 1 Create a `MATLABCodeTemplate` object from `myCGTFile.cgt` and add it to the configuration object.

```
CGTFile = 'myCGTFile.cgt';
cfgObj.CodeTemplate = coder.MATLABCodeTemplate(CGTFile);
```

- 2 Assign the value 'myValue' to the `myCustomToken` token.

```
cfgObj.CodeTemplate.setTokenValue('myCustomToken', 'myValue');
```

- 3 Generate code.

```
codegen -config cfgObj coderand
```

# Code Generation Template Files for MATLAB

**In this section...**

“Default CGT File” on page 46-9

“CGT File Structure” on page 46-9

“Components of the CGT File Sections” on page 46-11

A code generation template (CGT) file defines the sections in generated code that you can customize using comments and tokens. Using a code generation template (CGT) file for the generation of C and C++ code from MATLAB, you can specify custom file banners and function banners for generated code. File banners are comment sections in the header and trailer sections of a generated file. Function banners are comment sections for each function in the generated code. You can also customize comments before code sections. Use these banners to:

- Add a company copyright statement.
- Specify a special version symbol for your configuration management system.
- Remove time stamps.
- Add other custom information to your generated files.

For information on creating, customizing, and using a CGT file, see “Generate Custom File and Function Banners for C/C++ Code” on page 46-6.

## Default CGT File

You can base your custom template on the default CGT file, `matlabcoder_default_template.cgt`, in the `matlabroot/toolbox/coder/matlabcoder/templates/` folder.

---

**Note:** If you choose not to customize banners for your generated code, the default template is used for code generation.

---

## CGT File Structure

A CGT file consists of 13 optional sections.

**File Banner Section**

Contains comments and tokens for use in generating a custom file banner.

**Function Banner Section**

Contains comments and tokens for use in generating a custom function banner.

**Shared Utility Function Banner**

Contains comments and tokens for use in generating custom banners for shared utility functions.

**File Trailer Section**

Contains comments for use in generating a custom trailer banner.

**Include Files Banner**

Contains comments for use in generating a custom banner for the include files section.

**Type Definitions**

Contains comments for use in generating a custom banner for the type definitions section.

**Named Constants**

Contains comments for use in generating a custom banner for the named constants section.

**Variable Declarations**

Contains comments for use in generating a custom banner for the variable declarations section.

**Variable Definitions**

Contains comments for use in generating a custom banner for the variable definitions section.

**Function Declarations**

Contains comments for use in generating a custom banner for the function declarations section.

**Function Definitions**

Contains comments for use in generating a custom banner for the function definitions section.

**Custom Source Code**

Contains comments for use in generating a custom banner for the custom source code section.

**Custom Header Code**

Contains comments for use in generating a custom banner for the custom header code section.

**Components of the CGT File Sections**

Each CGT file section is defined by open and close tags.

CGT File Section	Open Tag	Close Tag
“File Banner” on page 46-14	<FileBanner>	</FileBanner>
“Function Banner Section” on page 46-10	<FunctionBanner>	</FunctionBanner>
“Shared Utility Function Banner” on page 46-10	<SharedUtilityBanner>	</SharedUtilityBanner>
“File Trailer Section” on page 46-10	<FileTrailer>	</FileTrailer>
“Include Files Banner” on page 46-10	<IncludeFilesBanner>	</IncludeFilesBanner>
“Type Definitions” on page 46-10	<TypeDefinitionsBanner>	</TypeDefinitionsBanner>
“Named Constants” on page 46-10	<NamedConstantsBanner>	</NamedConstantsBanner>
“Variable Declarations” on page 46-10	<VariableDeclarationsBanner>	</VariableDeclarationsBanner>

CGT File Section	Open Tag	Close Tag
“Variable Definitions” on page 46-10	<VariableDefinitionsBanner>	</VariableDefinitionsBanner>
“Function Declarations” on page 46-10	<FunctionDeclarationsBanner>	</FunctionDeclarationsBanner>
“Function Definitions” on page 46-11	<FunctionDefinitionsBanner>	</FunctionDefinitionsBanner>
“Custom Source Code” on page 46-11	<CustomSourceCodeBanner>	</CustomSourceCodeBanner>
“Custom Header Code” on page 46-11	<CustomHeaderCodeBanner>	</CustomHeaderCodeBanner>

You can customize your banners by including tokens and comments between the open and close tags for each section. Tokens are replaced with values in the generated code. The following rules apply to tokens in your CGT file:

- You can have only one token per line.
- Token values must not contain a ‘\t’ for formatting.

---

**Note:** In the contents of your banner, C comment indicators, ‘/\*’ or ‘\*/’, can introduce an error in the generated code.

---

An open tag includes tag attributes. Enclose the value of the attribute in double quotes. The attributes available for an open tag are:

- **width:** specifies the width of the file or function banner comments in the generated code. The default value is 80.
- **style:** specifies the boundary for the file or function banner comments in the generated code.

The open tag syntax is:

```
<OpenTag style = "style_value" width = "num_width">
```

There are five options for the banner style. The `CommentStyle` and `TargetLang` configuration object properties determine the use of C or C++ comment style. The built-in style options for the `style` attribute are:

- classic

Using C style comments

```
/* single line comments */

/*
 * multiple line comments
 * second line
 */
```

Using C++ style comments

```
// single line comments

//
// multiple line comments
// second line
//
```

- box

Using C style comments

```
*****
/* banner contents */
*****
```

Using C++ style comments

```
////////////////////////////////////
// banner contents //
////////////////////////////////////
```

- open\_box

Using C style comments

```
*****
 * banner contents
*****
```

Using C++ style comments

```
////////////////////////////////////
// banner contents
```

```
////////////////////////////////////////////////////////////////////////////////////////////////////////////////////////////////
```

- doxygen

Using C style comments

```
/** single line comments */
```

```
/**  
 * multiple line comments  
 * second line  
 */
```

Using C++ style comments

```
///single line comments
```

```
///  
/// multiple line comments  
///second line  
///
```

- doxygen\_qt

Using C style comments

```
/*! single line comments */
```

```
/*!  
 * multiple line comments  
 * second line  
 */
```

Using C++ style comments

```
/*!single line comments
```

```
///  
/*! multiple line comments  
/*!second line  
/*!
```

## File Banner

This section contains comments and tokens for use in generating a custom file banner that precedes the generated C and C++ code. If you omit the file banner section from the



CGT file, the code generation software does not generate a file banner in the generated code. The file banner section provided in the default CGT file is:

```

%%%%%%%%%%%%%%%%%%%%%%%%%%%%%%%%%%%%%%%%%%%%%%%%%%%%%%%%%%%%%%%%%%%%%%%%
%% Custom File Banner section (optional)
%% Customize File banners by using either custom tokens or the following
%% predefined tokens:
%% %<FileName>, %<MATLABCoderVersion>, %<EmbeddedCoderVersion>
%% %<SourceGeneratedOn>, %<HardwareSelection>, %<OutputType>
%%
%% You can also use "custom tokens" in all of the sections below. See the
%% documentation center for more details.
%%
<FileBanner style="classic">
File: %<FileName>

MATLAB Coder version      : %<MATLABCoderVersion>
C/C++ source code generated on : %<SourceGeneratedOn>
</FileBanner>

```

### Summary of Tokens for File Banner Generation

FileName	Name of the generated file (for example, "kalman.c")
SourceGeneratedOn	Time stamp of generated file
MATLABCoderVersion	Version of MATLAB Coder
EmbeddedCoderVersion	Version of Embedded Coder
HardwareSelection	Selected target
OutputType	Type of output (for example, lib, exe, or dll)

### Function Banner

This section contains comments and tokens for use in generating a custom function banner that precedes a generated C or C++ function. If you omit the function banner section from the CGT file, the code generation software does not generate function banners. The function banner section provided in the default CGT file is:

```

%%%%%%%%%%%%%%%%%%%%%%%%%%%%%%%%%%%%%%%%%%%%%%%%%%%%%%%%%%%%%%%%%%%%%%%%
%% Custom function banner section (optional)
%% Customize function banners by using the following predefined tokens:
%% %<FunctionName>, %<FunctionDescription>
%% %<Arguments>, %<ReturnType>
%%
<FunctionBanner style="classic">
%<FunctionDescription>
Arguments      : %<Arguments>
Return Type    : %<ReturnType>
</FunctionBanner>

```

**Summary of Tokens for Function Banner Generation**

FunctionName	Name of function
FunctionDescription	Short abstract about the function
Arguments	List of function arguments
ReturnType	Return type of function

**Shared Utility Banner**

This section contains comments and tokens for use in generating a custom shared utility function banner that precedes a generated C or C++ shared utility function. If you omit the shared utility function banner section from the CGT file, the code generation software does not generate shared utility function banners. The shared utility function banner section provided in the default CGT file is:

```

%%%%%%%%%%%%%%%%%%%%%%%%%%%%%%%%%%%%%%%%%%%%%%%%%%%%%%%%%%%%%%%%%%%%%%%%
%% Custom Shared Utility Function Banner section (optional)
%% Customize shared utility function banners by using the following
%% predefined tokens:
%% %<FunctionName>, %<FunctionDescription>
%% %<Arguments>, %<ReturnType>
%%
<SharedUtilityBanner style="classic">
Arguments      : %<Arguments>
Return Type    : %<ReturnType>
</SharedUtilityBanner>
    
```

**Summary of Tokens for Shared Utility Function Banner Generation**

FunctionName	Name of function
FunctionDescription	Short abstract about the function
Arguments	List of function arguments
ReturnType	Return type of function

**File Trailer**

The file trailer section contains comments for generating a custom file trailer that follows the generated C or C++ code. If you omit the file trailer section from the CGT file, the code generation software does not generate a file trailer. The file trailer section provided in the default CGT file is:

```

%%%%%%%%%%%%%%%%%%%%%%%%%%%%%%%%%%%%%%%%%%%%%%%%%%%%%%%%%%%%%%%%%%%%%%%%
%% Custom file trailer section (optional)
%% You can use any of the predefined tokens used for File Banner
    
```

```
%%  
<FileTrailer style="classic">  
File trailer for %<FileName>  
  
[EOF]  
</FileTrailer>
```

Tokens for the file banner are available for the file trailer. See Summary of Tokens for File Banner Generation.

### **Include Files Banner**

The include files banner section contains comments for generating a custom banner that precedes the include files section in the generated code. If you omit the include files banner section from the CGT file, the code generation software does not generate a banner for this section. The include files banner section provided in the default CGT file is:

```
<IncludeFilesBanner style="classic">  
Include Files  
</IncludeFilesBanner>
```

### **Type Definitions Banner**

The type definitions banner section contains comments for generating a custom banner that precedes the type definitions section in the generated code. If you omit the type definitions banner section from the CGT file, the code generation software does not generate a banner for this section. The type definitions banner section provided in the default CGT file is:

```
<TypeDefinitionsBanner style="classic">  
Type Definitions  
</TypeDefinitionsBanner>
```

### **Named Constants Banner**

The named constants banner section contains comments for generating a custom banner that precedes the named constants section in the generated code. If you omit the named constants banner section from the CGT file, the code generation software does not generate a banner for this section. The named constants banner section provided in the default CGT file is:

```
<NamedConstantsBanner style="classic">  
Named Constants  
</NamedConstantsBanner>
```

### **Variable Declarations**

The variable declarations banner section contains comments for generating a custom banner that precedes the variable declarations section in the generated code. If you omit the variable declarations banner section from the CGT file, the code generation software does not generate a banner for this section. The variable declarations banner section provided in the default CGT file is:

```
<VariableDeclarationsBanner style="classic">  
Variable Declarations  
</VariableDeclarationsBanner>
```

### **Variable Definitions**

The variable definitions banner section contains comments for generating a custom banner that precedes the variable definitions section in the generated code. If you omit the variable definitions banner section from the CGT file, the code generation software does not generate a banner for this section. The variable definitions banner section provided in the default CGT file is:

```
<VariableDefinitionsBanner style="classic">  
Variable Definitions  
</VariableDefinitionsBanner>
```

### **Function Declarations**

The function declarations banner section contains comments for generating a custom banner that precedes the function declarations section in the generated code. If you omit the function declarations banner section from the CGT file, the code generation software does not generate a banner for this section. The function declarations banner section provided in the default CGT file is:

```
<functionDeclarationsBanner style="classic">  
Function Declarations  
</FunctionDeclarationsBanner>
```

### **Function Definitions**

The function definitions banner section contains comments for generating a custom banner that precedes the function definitions section in the generated code. If you omit the function definitions banner section from the CGT file, the code generation software does not generate a banner for this section. The function definitions banner section provided in the default CGT file is:

```
<FunctionDefinitionsBanner style="classic">  
Function Definitions  
</FunctionDefinitionsBanner>
```

### **Custom Source Code**

The custom source code banner section contains comments for generating a custom banner that precedes the custom source code section in the generated code. If you omit the custom source code banner section from the CGT file, the code generation software does not generate a banner for this section. The custom source code banner section provided in the default CGT file is:

```
<CustomSourceCodeBanner style="classic">  
Custom Source Code  
</CustomSourceCodeBanner>
```

### **Customer Header Code**

The custom header code banner section contains comments for generating a custom banner that precedes the custom header code section in the generated code. If you omit the custom header code banner section from the CGT file, the code generation software does not generate a banner for this section. The custom header code banner section provided in the default CGT file is:

```
<CustomHeaderCodeBanner style="classic">  
Custom Header Code  
</CustomHeaderCodeBanner>
```

## Customize Generated Identifiers

### In this section...

“Customize Identifiers Using the MATLAB Coder App” on page 46-20

“Customize Generated Identifiers Using the Command Line Interface” on page 46-21


If you have an Embedded Coder license, you can customize the identifiers that the MATLAB Coder software generates in the C/C++ code. To customize generated identifiers, specify the identifier format parameters in the project build settings or the embedded code configuration object. For each parameter, enter a macro string. The code generation software expands the macro string and includes it in the generated identifiers.

The macro string can include:

- Valid C or C++ language identifiers (a-z, A-Z, \_, 0–9).
- The tokens listed in the following table. \$M is required.

Token	Description
\$M	Insert name mangling string to avoid naming collisions.  Required.
\$N	Insert name of the object (global variable, global type, local function, local temporary variable, or constant macro) for which the identifier is generated.  Improves readability of generated code.
\$R	Insert root project name into identifier, replacing unsupported characters with the underscore (_) character.

### Customize Identifiers Using the MATLAB Coder App

- 1 On the **Generate Code** page, to open the **Generate** dialog box, click the **Generate** arrow .
- 2 Set **Build type** to one of the following:
  - Source Code

- Static Library (.lib)
  - Dynamic Library (.dll)
  - Executable (.exe)
- 3 Click **More Settings**.
  - 4 On the **Code Appearance** tab, under **Identifier Format**, enter macros for the parameters that you want to customize:

Parameter	Default Macro
Global variables	\$M\$N
Global types	\$M\$N
Field name of global types	\$M\$N
Local functions	\$M\$N
Local temporary variables	\$M\$N
Constant macros	\$M\$N
EMX Array Types	emxArray_ \$M\$N
EMX Array Utility Functions	emx\$M\$N

For example, suppose that **Global variables** has the value `glob_ $M$N`. For a global variable named `g`, when name mangling is not required, the generated identifier is `glob_g`. If name mangling is required, the generated identifier includes the name mangling string.

## Customize Generated Identifiers Using the Command Line Interface

- 1 Create a code configuration object for 'lib', 'dll', or 'exe'. For example:
 

```
cfg = coder.config('lib','ecoder',true); % or dll or exe
```
- 2 Define macros for the parameters that you want to customize.

Parameter	Description	Default Macro
CustomSymbolStrGlobalVar	Global variables	' \$M\$N '
CustomSymbolStrType	Global types	' \$M\$N '
CustomSymbolStrField	Field name of global types	' \$M\$N '
CustomSymbolStrFcn	Local functions	' \$M\$N '

Parameter	Description	Default Macro
CustomSymbolStrTmpVar	Local temporary variables	'\$M\$N'
CustomSymbolStrMacro	Constant macros	'\$M\$N'
CustomSymbolStrEMXArray	EMX Array Types	'emxArray_\$M\$N'
CustomSymbolStrEMXArrayFcn	EMX Array Utility Functions	'emx\$M\$N'

For example:

```
cfg.CustomSymbolStrGlobalVar = 'glob_$M$N';
```

For a global variable named `g`, when name mangling is not required, the generated identifier is `glob_g`. If name mangling is required, the generated identifier includes the name mangling string.



## Control Signed Left Shifts in Generated Code

### In this section...

“Control Signed Left Shifts Using the MATLAB Coder App” on page 46-23

“Control Signed Left Shifts Using the Command-Line Interface” on page 46-23

If you have an Embedded Coder license, you can control whether MATLAB Coder replaces multiplications by powers of two with signed left bitwise shifts. Some coding standards, such as MISRA, do not allow bitwise operations on signed integers.


By default, MATLAB Coder replaces multiplication by powers of two with signed left shifts. Here is an example of generated C code that uses a signed left shift for multiplication by eight.

```
i <<= 3;
```

To increase the likelihood of generating MISRA C:2012 compliant code, disable the replacement of multiplication by powers of two with signed left shifts. Here is an example of generated C code that does not use a signed left shift for multiplication by eight:

```
i = i * 8;
```

### Control Signed Left Shifts Using the MATLAB Coder App

- 1 On the **Generate Code** page, to open the **Generate** dialog box, click the **Generate** arrow .
- 2 Set **Build type** to one of the following:
  - Source Code
  - Static Library (.lib)
  - Dynamic Library (.dll)
  - Executable (.exe)
- 3 Click **More Settings**.
- 4 On the **Code Appearance** tab, select or clear the **Use signed shift left for fixed-point operations and multiplication by powers of 2** check box.

### Control Signed Left Shifts Using the Command-Line Interface

- 1 Create a code configuration object for 'lib', 'dll', or 'exe'. For example:

- ```
cfg = coder.config('lib','ecoder',true); % or dll or exe
```
- 2 Set the `EnableSignedLeftShifts` property to `true` or `false`. For example:

```
cfg.EnableSignedLeftShifts = false;
```

## Control Data Type Casts in Generated Code

### In this section...

“Specify Casting Mode Using the MATLAB Coder App” on page 46-26


“Specify Casting Mode Using the Command-Line Interface” on page 46-27

If you have an Embedded Coder license, you can control data type casts in code generated from MATLAB code. You can specify one of the following casting modes.

| Casting Mode        | Description                                                                                                                                                                                                                                                                                                                                                                                                                                                   |
|---------------------|---------------------------------------------------------------------------------------------------------------------------------------------------------------------------------------------------------------------------------------------------------------------------------------------------------------------------------------------------------------------------------------------------------------------------------------------------------------|
| Nominal             | <p>Nominal casting mode is the default casting mode. Generated C/C++ code uses the default C compiler data type casting. When you do not have special data type information requirements, choose this option. Here is an example of code generated using nominal casting mode:</p> <pre data-bbox="790 899 1095 1185"> short addone(short x) {     int i0;     i0 = x + 1;     if (i0 &gt; 32767) {         i0 = 32767;     }      return (short)i0; } </pre> |
| Standards Compliant | <p>Generated C/C++ code has data type casts that conform to MISRA standards. The MISRA data type casting eliminates common MISRA standard violations, including address arithmetic and assignment. It reduces 10.1, 10.2, 10.3, and 10.4 violations. Here is an example of code generated using standards-compliant casting mode:</p> <pre data-bbox="790 1515 1095 1539"> short addone(short x) </pre>                                                       |

| Casting Mode | Description                                                                                                                                                                                                                                                                                                                                                                                                                                                                               |
|--------------|-------------------------------------------------------------------------------------------------------------------------------------------------------------------------------------------------------------------------------------------------------------------------------------------------------------------------------------------------------------------------------------------------------------------------------------------------------------------------------------------|
|              | <pre data-bbox="793 302 1142 552"> {   int i0;   i0 = (int)x + (int)1;   if (i0 &gt; (int)32767) {     i0 = (int)32767;   }    return (short)i0; } </pre>                                                                                                                                                                                                                                                                                                                                 |
| Explicit     | <p data-bbox="793 569 1298 789">Generated C/C++ code has explicit data type casts. Explicit data type casts provide information about the amount of memory that the variable uses and the level of precision for calculations using the variable. Here is an example of code generated using explicit casting mode:</p> <pre data-bbox="793 817 1095 1102"> short addone(short x) {   int i0;   i0 = (int)x + 1;   if (i0 &gt; 32767) {     i0 = 32767;   }    return (short)i0; } </pre> |

## Specify Casting Mode Using the MATLAB Coder App

- 1 On the **Generate Code** page, to open the **Generate** dialog box, click the **Generate** arrow .
- 2 Set **Build type** to one of the following:
  - Source Code
  - Static Library (.lib)
  - Dynamic Library (.dll)
  - Executable (.exe)
- 3 Click **More Settings**.

- 4 On the **All Settings** tab, under **Advanced**, set **Casting mode** to one of the following values:
  - Nominal
  - Standards Compliant
  - Explicit

## Specify Casting Mode Using the Command-Line Interface

- 1 Create a code configuration object for 'lib', 'dll', or 'exe'. For example:

```
cfg = coder.config('lib','ecoder',true); % or dll or exe
```
- 2 Set the **CastingMode** property to one of the following values:
  - 'Nominal'
  - 'Standards'
  - 'Explicit'

For example:

```
cfg.IndentStyle = 'Standards';
```



# Code Replacement for MATLAB Code

---

- “What Is Code Replacement?” on page 47-2
- “Code You Can Replace from MATLAB Code” on page 47-4
- “Code Replacement Libraries” on page 47-14
- “Code Replacement Terminology” on page 47-16
- “Code Replacement Limitations” on page 47-19
- “Replace Code Generated from MATLAB Code” on page 47-20
- “Choose a Code Replacement Library” on page 47-23

## What Is Code Replacement?

Code replacement is a technique to change the code that the code generator produces for functions and operators to meet application code requirements. For example, you can replace generated code to meet requirements such as:

- Optimization for a specific run-time environment, including, but not limited to, specific target hardware.
- Integration with existing application code.
- Compliance with a standard, such as AUTOSAR.
- Modification of code behavior, such as enabling or disabling nonfinite or inline support.
- Application- or project-specific code requirements, such as:
  - Elimination of `math.h`.
  - Elimination of system header files.
  - Elimination of calls to `memcpy` or `memset`.
  - Use of BLAS.
  - Use of a specific BLAS.

To apply this technique, configure the code generator to apply a code replacement library (CRL) during code generation. By default, the code generator does not apply a code replacement library. You can choose from the following libraries that MathWorks provides:

- GNU C99 extensions—GNU<sup>7</sup> gcc math library, which provides C99 extensions as defined by compiler option `-std=gnu99`.
- AUTOSAR 4.0—Produces code that more closely aligns with the AUTOSAR standard. Requires an Embedded Coder license.
- Intel IPP for x86-64 (Windows)—Generates calls to the Intel Performance Primitives (IPP) library for the x86-64 Windows platform.
- Intel IPP/SSE for x86-64 (Windows)—Generates calls to the IPP and Streaming SIMD Extensions (SSE) libraries for the x86-64 Windows platform.
- Intel IPP for x86-64 (Windows using MinGW compiler)—Generates calls to the IPP library for the x86-64 Windows platform and MinGW compiler.

---

7. GNU is a registered trademark of the Free Software Foundation.



- Intel IPP/SSE for x86-64 (Windows using MinGW compiler)—Generates calls to the IPP and SSE libraries for the x86-64 Windows platform and MinGW compiler.
- Intel IPP for x86/Pentium (Windows)—Generates calls to the IPP library for the x86/Pentium Windows platform.
- Intel IPP/SSE for x86/Pentium (Windows)—Generates calls to the Intel Performance IPP and SSE libraries for the x86/Pentium Windows platform.
- Intel IPP for x86-64 (Linux)—Generates calls to the IPP library for the x86-64 Linux platform.
- Intel IPP/SSE with GNU99 extensions for x86-64 (Linux)—Generates calls to the GNU libraries for IPP and SSE, with GNU C99 extensions, for the x86-64 Linux platform.

Libraries that include GNU99 extensions are intended for use with the GCC compiler. If use one of those libraries with another compiler, generated code might not compile.

Depending on the product licenses that you have, other libraries might be available. If you have an Embedded Coder license, you can view and choose from other libraries and you can create custom code replacement libraries.

## Related Examples

- “Replace Code Generated from MATLAB Code” on page 47-20
- “Choose a Code Replacement Library” on page 47-23

## More About

- “Code You Can Replace from MATLAB Code” on page 25-4
- “Code Replacement Libraries” on page 47-14
- “Code Replacement Terminology” on page 47-16
- “Code Replacement Limitations” on page 47-19

## Code You Can Replace from MATLAB Code

### In this section...

“About Code You Can Replace” on page 47-4

“Math Functions” on page 47-4

“Memory Functions” on page 47-9

“Operators” on page 47-9

### About Code You Can Replace

Code that the code generator replaces depends on the code replacement library (CRL) that you use. By default, the code generator does not apply a code replacement library. Your choice of libraries is dependent on product licensing and whether you have access to custom libraries.

For information on how to explore functions and operators that a code replacement library supports, see “Choose a Code Replacement Library” on page 47-23. If you have an Embedded Coder license and want to develop a custom code replacement library, see Code Replacement Customization.

### Math Functions

When generating C/C++ code from MATLAB code, depending on code replacement libraries available in your development environment, you can configure the code generator to replace instances of the following math functions with application-specific implementations.

| Function         | Data Type Support | Scalar, Vector, Matrix Support | Real, Complex Support                                                        |
|------------------|-------------------|--------------------------------|------------------------------------------------------------------------------|
| abs <sup>1</sup> | Floating point    | Scalar                         | Real                                                                         |
| acos             | Floating point    | Scalar<br>Vector<br>Matrix     | Real<br>Complex<br>Complex input/complex output<br>Real input/complex output |
| acosd            | Floating point    | Scalar<br>Vector<br>Matrix     | Real<br>Complex                                                              |

| Function | Data Type Support | Scalar, Vector, Matrix Support | Real, Complex Support                                                        |
|----------|-------------------|--------------------------------|------------------------------------------------------------------------------|
| acot     | Floating point    | Scalar<br>Vector<br>Matrix     | Real<br>Complex                                                              |
| acotd    | Floating point    | Scalar<br>Vector<br>Matrix     | Real<br>Complex                                                              |
| acoth    | Floating point    | Scalar<br>Vector<br>Matrix     | Real<br>Complex                                                              |
| acsc     | Floating point    | Scalar<br>Vector<br>Matrix     | Real<br>Complex                                                              |
| acscd    | Floating point    | Scalar<br>Vector<br>Matrix     | Real<br>Complex                                                              |
| acsch    | Floating point    | Scalar<br>Vector<br>Matrix     | Real<br>Complex                                                              |
| asec     | Floating point    | Scalar<br>Vector<br>Matrix     | Real<br>Complex                                                              |
| asecd    | Floating point    | Scalar<br>Vector<br>Matrix     | Real<br>Complex                                                              |
| asech    | Floating point    | Scalar<br>Vector<br>Matrix     | Real<br>Complex                                                              |
| asin     | Floating point    | Scalar<br>Vector<br>Matrix     | Real<br>Complex<br>Complex input/complex output<br>Real input/complex output |

| Function | Data Type Support                                                                    | Scalar, Vector, Matrix Support                                                       | Real, Complex Support                                                                |
|----------|--------------------------------------------------------------------------------------|--------------------------------------------------------------------------------------|--------------------------------------------------------------------------------------|
| asind    | Floating point                                                                       | Scalar<br>Vector<br>Matrix                                                           | Real<br>Complex                                                                      |
| atan     | Floating point                                                                       | Scalar<br>Vector<br>Matrix                                                           | Real<br>Complex<br>Complex input/complex output<br>Real input/complex output         |
| atan2    | Floating point                                                                       | Scalar<br>Vector<br>Matrix                                                           | Real                                                                                 |
| atan2d   | Floating point                                                                       | Scalar<br>Vector<br>Matrix                                                           | Real                                                                                 |
| atand    | Floating point                                                                       | Scalar<br>Vector<br>Matrix                                                           | Real<br>Complex                                                                      |
| cos      | Floating point                                                                       | Scalar<br>Vector<br>Matrix                                                           | Real<br>Complex<br>Complex input/complex output<br>Real input/complex output         |
| ceil     | <ul style="list-style-type: none"> <li>• Floating-point</li> <li>• Scalar</li> </ul> | <ul style="list-style-type: none"> <li>• Floating-point</li> <li>• Scalar</li> </ul> | <ul style="list-style-type: none"> <li>• Floating-point</li> <li>• Scalar</li> </ul> |
| cosd     | Floating point                                                                       | Scalar<br>Vector<br>Matrix                                                           | Real<br>Complex                                                                      |
| cosh     | Floating point                                                                       | Scalar<br>Vector<br>Matrix                                                           | Real<br>Complex<br>Complex input/complex output<br>Real input/complex output         |
| cot      | Floating point                                                                       | Scalar<br>Vector<br>Matrix                                                           | Real<br>Complex                                                                      |

| Function | Data Type Support                                                                    | Scalar, Vector, Matrix Support                                                       | Real, Complex Support                                                                |
|----------|--------------------------------------------------------------------------------------|--------------------------------------------------------------------------------------|--------------------------------------------------------------------------------------|
| cotd     | Floating point                                                                       | Scalar<br>Vector<br>Matrix                                                           | Real<br>Complex                                                                      |
| coth     | Floating point                                                                       | Scalar<br>Vector<br>Matrix                                                           | Real<br>Complex                                                                      |
| csc      | Floating point                                                                       | Scalar<br>Vector<br>Matrix                                                           | Real<br>Complex                                                                      |
| cscd     | Floating point                                                                       | Scalar<br>Vector<br>Matrix                                                           | Real<br>Complex                                                                      |
| csch     | Floating point                                                                       | Scalar<br>Vector<br>Matrix                                                           | Real<br>Complex                                                                      |
| exp      | Floating point                                                                       | Scalar                                                                               | Real                                                                                 |
| fix      | Floating point                                                                       | Scalar                                                                               | Real                                                                                 |
| floor    | <ul style="list-style-type: none"> <li>• Floating-point</li> <li>• Scalar</li> </ul> | <ul style="list-style-type: none"> <li>• Floating-point</li> <li>• Scalar</li> </ul> | <ul style="list-style-type: none"> <li>• Floating-point</li> <li>• Scalar</li> </ul> |
| hypot    | Floating point                                                                       | Scalar<br>Vector<br>Matrix                                                           | Real                                                                                 |
| ldexp    | Floating point                                                                       | Scalar                                                                               | Real                                                                                 |
| log      | Floating point                                                                       | Scalar<br>Vector<br>Matrix                                                           | Real<br>Complex                                                                      |
| log10    | Floating point                                                                       | Scalar<br>Vector<br>Matrix                                                           | Real<br>Complex                                                                      |
| log2     | Floating point                                                                       | Scalar<br>Vector<br>Matrix                                                           | Real<br>Complex                                                                      |

| Function | Data Type Support         | Scalar, Vector, Matrix Support | Real, Complex Support                                                        |
|----------|---------------------------|--------------------------------|------------------------------------------------------------------------------|
| max      | Integer<br>Floating point | Scalar                         | Real                                                                         |
| min      | Integer<br>Floating point | Scalar                         | Real                                                                         |
| pow      | Floating point            | Scalar                         | Real                                                                         |
| rem      | Floating point            | Scalar                         | Real                                                                         |
| round    | Floating point            | Scalar                         | Real                                                                         |
| sec      | Floating point            | Scalar<br>Vector<br>Matrix     | Real<br>Complex                                                              |
| secd     | Floating point            | Scalar<br>Vector<br>Matrix     | Real<br>Complex                                                              |
| sech     | Floating point            | Scalar<br>Vector<br>Matrix     | Real<br>Complex                                                              |
| sign     | Floating point            | Scalar                         | Real                                                                         |
| sin      | Floating point            | Scalar<br>Vector<br>Matrix     | Real<br>Complex<br>Complex input/complex output<br>Real input/complex output |
| sind     | Floating point            | Scalar<br>Vector<br>Matrix     | Real<br>Complex                                                              |
| sinh     | Floating point            | Scalar<br>Vector<br>Matrix     | Real<br>Complex<br>Complex input/complex output<br>Real input/complex output |
| sqrt     | Floating point            | Scalar                         | Real                                                                         |

| Function                                   | Data Type Support | Scalar, Vector, Matrix Support | Real, Complex Support                                                        |
|--------------------------------------------|-------------------|--------------------------------|------------------------------------------------------------------------------|
| tan                                        | Floating point    | Scalar<br>Vector<br>Matrix     | Real<br>Complex<br>Complex input/complex output<br>Real input/complex output |
| tand                                       | Floating point    | Scalar<br>Vector<br>Matrix     | Real<br>Complex                                                              |
| tanh                                       | Floating point    | Scalar<br>Vector<br>Matrix     | Real<br>Complex<br>Complex input/complex output<br>Real input/complex output |
| <sup>1</sup> Wrap on integer overflow only |                   |                                |                                                                              |

## Memory Functions

Depending on code replacement libraries available in your development environment, you can configure the code generator to replace instances of the following memory functions with application-specific implementations.

| Function    | Data Type Support    | Scalar, Vector, Matrix Support | Real, Complex Support |
|-------------|----------------------|--------------------------------|-----------------------|
| memcmp      | Void pointer (void*) | Scalar<br>Vector<br>Matrix     | Real<br>Complex       |
| memcpy      | Void pointer (void*) | Scalar<br>Vector<br>Matrix     | Real<br>Complex       |
| memset      | Void pointer (void*) | Scalar<br>Vector<br>Matrix     | Real<br>Complex       |
| memset2zero | Void pointer (void*) | Scalar<br>Vector<br>Matrix     | Real<br>Complex       |

Some target processors provide optimized functions to set memory to zero. Use the code replacement library programming interface to replace the `memset2zero` function with more efficient target-specific functions.

## Operators

When generating C/C++ code from MATLAB code, depending on code replacement libraries available in your development environment, you can configure the code generator to replace instances of the following operators with application-specific implementations.

Mixed data type support indicates you can specify different data types of different inputs.

| Operator                        | Key          | Data Type Support                                              | Scalar, Vector, Matrix Support | Real, Complex Support |
|---------------------------------|--------------|----------------------------------------------------------------|--------------------------------|-----------------------|
| Addition (+)                    | RTW_OP_ADD   | Integer<br>Floating point<br>Fixed-point<br>Mixed              | Scalar<br>Vector<br>Matrix     | Real<br>Complex       |
| Subtraction (-)                 | RTW_OP_MINUS | Integer<br>Floating point<br>Fixed-point<br>Mixed              | Scalar<br>Vector<br>Matrix     | Real<br>Complex       |
| Multiplication (*) <sup>1</sup> | RTW_OP_MUL   | Integer<br>Floating point<br>Fixed-point<br>Mixed              | Scalar<br>Vector<br>Matrix     | Real<br>Complex       |
| Division (/)                    | RTW_OP_DIV   | Integer<br>Floating point<br>Fixed-point<br>Mixed              | Scalar                         | Real<br>Complex       |
| Data type conversion (cast)     | RTW_OP_CAST  | Integer<br>Floating point <sup>2</sup><br>Fixed-point<br>Mixed | Scalar<br>Vector<br>Matrix     | Real<br>Complex       |
| Shift left (<<)                 | RTW_OP_SL    | Integer                                                        | Scalar                         | Real                  |



| Operator                                                 | Key              | Data Type Support                                 | Scalar, Vector, Matrix Support | Real, Complex Support |
|----------------------------------------------------------|------------------|---------------------------------------------------|--------------------------------|-----------------------|
|                                                          |                  | Fixed-point<br>Mixed                              | Vector<br>Matrix               |                       |
| Shift right arithmetic (>>) <sup>3</sup>                 | RTW_OP_SRA       | Integer<br>Fixed-point<br>Mixed                   | Scalar<br>Vector<br>Matrix     | Real                  |
| Shift right logical (>>)                                 | RTW_OP_SRL       | Integer<br>Fixed-point<br>Mixed                   | Scalar<br>Vector<br>Matrix     | Real                  |
| Element-wise matrix multiplication (.*) <sup>4</sup>     | RTW_OP_ELEM_MUL  | Integer<br>Floating point<br>Fixed-point<br>Mixed | Vector<br>Matrix               | Real<br>Complex       |
| Complex conjugation                                      | RTW_OP_CONJUGATE | Integer<br>Floating point<br>Fixed-point<br>Mixed | Scalar<br>Vector<br>Matrix     | Real<br>Complex       |
| Transposition (.')                                       | RTW_OP_TRANS     | Integer<br>Floating point<br>Fixed-point<br>Mixed | Vector<br>Matrix               | Real<br>Complex       |
| Hermitian (complex conjugate) transposition (')          | RTW_OP_HERMITIAN | Integer<br>Floating point<br>Fixed-point<br>Mixed | Vector<br>Matrix               | Real<br>Complex       |
| Multiplication with transposition <sup>1</sup>           | RTW_OP_TRMUL     | Integer<br>Floating point<br>Fixed-point<br>Mixed | Vector<br>Matrix               | Real<br>Complex       |
| Multiplication with Hermitian transposition <sup>1</sup> | RTW_OP_HMMUL     | Integer<br>Floating point<br>Fixed-point<br>Mixed | Vector<br>Matrix               | Real<br>Complex       |

| Operator                                                                                                                                                                                                                                                                                                                                                                                                                                                                                                | Key                          | Data Type Support                                 | Scalar, Vector, Matrix Support | Real, Complex Support |
|---------------------------------------------------------------------------------------------------------------------------------------------------------------------------------------------------------------------------------------------------------------------------------------------------------------------------------------------------------------------------------------------------------------------------------------------------------------------------------------------------------|------------------------------|---------------------------------------------------|--------------------------------|-----------------------|
| Greater than (>)                                                                                                                                                                                                                                                                                                                                                                                                                                                                                        | RTW_OP_GREATER_THAN          | Integer<br>Floating point<br>Fixed-point<br>Mixed | Scalar<br>Vector<br>Matrix     | Real<br>Complex       |
| Greater than or equal (>=)                                                                                                                                                                                                                                                                                                                                                                                                                                                                              | RTW_OP_GREATER_THAN_OR_EQUAL | Integer<br>Floating point<br>Fixed-point<br>Mixed | Scalar<br>Vector<br>Matrix     | Real<br>Complex       |
| Less than (<)                                                                                                                                                                                                                                                                                                                                                                                                                                                                                           | RTW_OP_LESS_THAN             | Integer<br>Floating point<br>Fixed-point<br>Mixed | Scalar<br>Vector<br>Matrix     | Real<br>Complex       |
| Less than or equal (<=)                                                                                                                                                                                                                                                                                                                                                                                                                                                                                 | RTW_OP_LESS_THAN_OR_EQUAL    | Integer<br>Floating point<br>Fixed-point<br>Mixed | Scalar<br>Vector<br>Matrix     | Real<br>Complex       |
| Equal (==)                                                                                                                                                                                                                                                                                                                                                                                                                                                                                              | RTW_OP_EQUAL                 | Integer<br>Floating point<br>Fixed-point<br>Mixed | Scalar<br>Vector<br>Matrix     | Real<br>Complex       |
| Not equal (!=)                                                                                                                                                                                                                                                                                                                                                                                                                                                                                          | RTW_OP_NOT_EQUAL             | Integer<br>Floating point<br>Fixed-point<br>Mixed | Scalar<br>Vector<br>Matrix     | Real<br>Complex       |
| <sup>1</sup> Can map to Basic Linear Algebra Subroutine (BLAS) multiplication functions.<br><sup>2</sup> Scaled floating point is not supported.<br><sup>3</sup> Code replacement libraries that provide arithmetic shift right implementations should also provide logical shift right implementations, because some arithmetic shift rights are converted to logical shift rights during code generation.<br><sup>4</sup> Use the multiplication (*) operator (RTW_OP_MUL) for scalar multiplication. |                              |                                                   |                                |                       |

## **Related Examples**

- “Choose a Code Replacement Library” on page 47-23

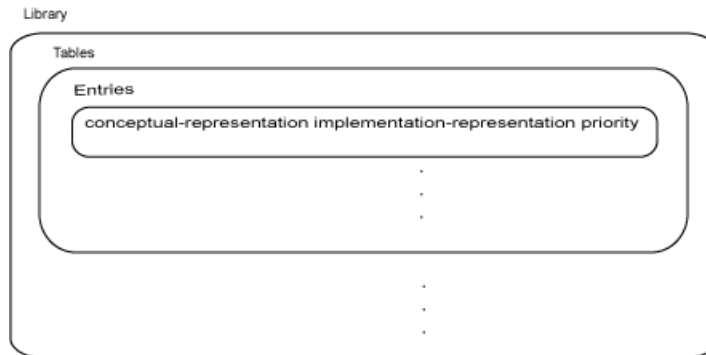
## **More About**

- “Code Replacement Libraries” on page 47-14
- “Code Replacement Terminology” on page 47-16
- “Code Replacement Limitations” on page 47-19

## Code Replacement Libraries

A *code replacement library* consists of one or more code replacement tables that specify application-specific implementations of functions and operators. For example, a library for a specific embedded processor specifies function and operator replacements that optimize generated code for that processor.

A *code replacement table* contains one or more *code replacement entries*, with each entry representing a potential replacement for a function or operator. Each entry maps a *conceptual representation* of a function or operator to an *implementation representation* and priority.



| Table Entry Component     | Description                                                                                                                                                                                                                                                                                                                                                                                                                                                                                                                                                                                                                                                                                                     |
|---------------------------|-----------------------------------------------------------------------------------------------------------------------------------------------------------------------------------------------------------------------------------------------------------------------------------------------------------------------------------------------------------------------------------------------------------------------------------------------------------------------------------------------------------------------------------------------------------------------------------------------------------------------------------------------------------------------------------------------------------------|
| Conceptual representation | <p>Identifies the table entry and contains match criteria for the code generator. Consists of:</p> <ul style="list-style-type: none"> <li>• Function name or a key. The function name identifies most functions. For operators and some functions, a string called a key identifies a function or operator. For example, function name 'COS' and operator key 'RTW_OP_ADD'.</li> <li>• Conceptual arguments that observe code generator naming ('y1', 'u1', 'u2', ...), with corresponding I/O types (output or input) and data types.</li> <li>• Other attributes, such as an algorithm, fixed-point saturation, and rounding modes, which identify matching criteria for the function or operator.</li> </ul> |

| Table Entry Component         | Description                                                                                                                                                                                                                                                                                                                                                                                        |
|-------------------------------|----------------------------------------------------------------------------------------------------------------------------------------------------------------------------------------------------------------------------------------------------------------------------------------------------------------------------------------------------------------------------------------------------|
| Implementation representation | Specifies replacement code. Consists of: <ul style="list-style-type: none"> <li>• Function name. For example, 'cos_db1' or 'u8_add_u8_u8'.</li> <li>• Implementation arguments, with corresponding I/O types (output or input) and data types.</li> <li>• Parameters that provide additional implementation details, such as header and source file names and paths of build resources.</li> </ul> |
| Priority                      | Defines the entry priority relative to other entries in the table. The value can range from 0 to 100, with 0 being the highest priority. If multiple entries have the same priority, the code generator uses the first match with that priority.                                                                                                                                                   |

When the code generator looks for a match in a code replacement library, it creates and populates a *call site object* with the function or operator conceptual representation. If a match exists, the code generator uses the matched code replacement entry populated with the implementation representation and uses it to generate code.

The code generator searches the tables in a code replacement library for a match in the order that the tables appear in the library. If the code generator finds multiple matches within a table, the priority determines the match. The code generator uses a higher-priority entry over a similar entry with a lower priority.

## Related Examples

- “What Is Code Replacement?” on page 47-2
- “Replace Code Generated from MATLAB Code” on page 47-20
- “Choose a Code Replacement Library” on page 47-23

## More About

- “Code You Can Replace from MATLAB Code” on page 25-4
- “Code Replacement Terminology” on page 47-16

## Code Replacement Terminology

| Term                     | Definition                                                                                                                                                                                                                                                                                                                                                                                                                                                                               |
|--------------------------|------------------------------------------------------------------------------------------------------------------------------------------------------------------------------------------------------------------------------------------------------------------------------------------------------------------------------------------------------------------------------------------------------------------------------------------------------------------------------------------|
| Cache hit                | A code replacement entry for a function or operator, defined in the specified code replacement library, for which the code generator finds a match.                                                                                                                                                                                                                                                                                                                                      |
| Cache miss               | A conceptual representation of a function or operator for which the code generator does not find a match.                                                                                                                                                                                                                                                                                                                                                                                |
| Call site object         | Conceptual representation of a function or operator that the code generator uses when it encounters a call site for a function or operator. The code generator uses the object to query the code replacement library for a conceptual representation match. If a match exists, the code generator returns a code replacement object, fully populated with the conceptual representation, implementation representation, and priority, and uses that object to generate replacement code. |
| Code replacement library | One or more code replacement tables that specify application-specific implementations of functions and operators. When configured to use a code replacement library, the code generator uses criteria defined in the library to search for matches. If a match is found, the code generator replaces code that it generates by default with application-specific code defined in the library.                                                                                            |
| Code replacement table   | One or more code replacement table entries. Provides a way to group related or shared entries for use in different libraries.                                                                                                                                                                                                                                                                                                                                                            |
| Code replacement entry   | Represents a potential replacement for a function or operator. Maps a conceptual representation of a function or operator to an implementation representation and priority.                                                                                                                                                                                                                                                                                                              |
| Conceptual argument      | Represents an input or output argument for a function or operator being replaced. Conceptual arguments observe naming conventions ('y1',                                                                                                                                                                                                                                                                                                                                                 |

| Term                          | Definition                                                                                                                                                                                                                                                                                                                                                                                                                                                     |
|-------------------------------|----------------------------------------------------------------------------------------------------------------------------------------------------------------------------------------------------------------------------------------------------------------------------------------------------------------------------------------------------------------------------------------------------------------------------------------------------------------|
|                               | 'u1', 'u2', ...) and data types familiar to the code generator.                                                                                                                                                                                                                                                                                                                                                                                                |
| Conceptual representation     | <p>Represents match criteria that the code generator uses to qualify functions and operators for replacement. Consists of:</p> <ul style="list-style-type: none"> <li>• Function or operator name or key</li> <li>• Conceptual arguments with type, dimension, and complexity specification for inputs and output</li> <li>• Attributes, such as an algorithm and fixed-point saturation and rounding modes</li> </ul>                                         |
| Implementation argument       | Represents an input or output argument for a C or C++ replacement function. Implementation arguments observe C/C++ name and data type specifications.                                                                                                                                                                                                                                                                                                          |
| Implementation representation | <p>Specifies C or C++ replacement function prototype. Consists of:</p> <ul style="list-style-type: none"> <li>• Function name (for example, 'cos_db1' or 'u8_add_u8_u8')</li> <li>• Implementation arguments specifying type, type qualifiers, and complexity for the function inputs and output</li> <li>• Parameters that provide build information, such as header and source file names and paths of build resources and compile and link flags</li> </ul> |
| Key                           | A string that identifies a function or operator that is being replaced. A function name or key appears in the conceptual representation of a code replacement entry. The key RTW_OP_ADD identifies the addition operator.                                                                                                                                                                                                                                      |

| <b>Term</b> | <b>Definition</b>                                                                                                                                                                                                                                                                                                                                                                                                                    |
|-------------|--------------------------------------------------------------------------------------------------------------------------------------------------------------------------------------------------------------------------------------------------------------------------------------------------------------------------------------------------------------------------------------------------------------------------------------|
| Priority    | Defines the match priority for a code replacement entry relative to other entries, which have the same name and conceptual argument list, within a code replacement library. The priority can range from 0 to 100, with 0 being the highest priority. The default is 100. If a library provides two implementations for a function or operator, the implementation with the higher priority shadows the one with the lower priority. |

### **More About**

- “What Is Code Replacement?” on page 47-2
- “Code Replacement Libraries” on page 47-14



## Code Replacement Limitations

Code replacement verification — It is possible that code replacement behaves differently than you expect. For example, data types that you observe in code generator input might not match what the code generator uses as intermediate data types during an operation. Verify code replacements by examining generated code.

### Related Examples

- “Replace Code Generated from MATLAB Code” on page 47-20

### More About

- “Code You Can Replace from MATLAB Code” on page 25-4
- “Code Replacement Libraries” on page 47-14

## Replace Code Generated from MATLAB Code

This example shows how to replace generated code using a code replacement library. Code replacement is a technique for changing the code that the code generator produces for functions and operators to meet application code requirements.

### Prepare for Code Replacement

- 1 Make sure that you have installed required software. Required software is:
  - MATLAB
  - MATLAB Coder
  - C compiler

Some code replacement libraries available in your development environment require Embedded Coder.

For instructions on installing MathWorks products, see the MATLAB installation documentation. If you have installed MATLAB and want to see which other MathWorks products are installed, in the MATLAB Command Window, enter `ver`.

- 2 Identify an existing MATLAB function or create a new MATLAB function for which you want the code generator to replace code.

### Choose a Code Replacement Library

If you are not sure which library to use, explore available libraries.

### Configure Code Generator To Use Code Replacement Library

- 1 Configure the code generator to apply a code replacement library during code generation for the MATLAB function. Do one of the following:
  - In a project, on the **Custom Code** tab, set the **Code replacement library** parameter.
  - In a code configuration object, set the `CodeReplacementLibrary` parameter.
- 2 Configure the code generator to produce only code. Before you build an executable, verify your code replacements. Do one of the following:
  - In a project, in the **Generate** dialog box, select the **Generate code only** check box.

- In a code configuration object, set the `GenCodeOnly` parameter.

### Include Code Replacement Information In Code Generation Report

If you have an Embedded Coder license, you can configure the code generator to include a code replacement section in the code generation report. The additional information helps you verify code replacements.

- 1 Configure the code generator to generate a report.
  - In a project, on the **Debugging** tab, set the **Always create a code generation report** parameter.
  - In a code configuration object, set the `GenerateReport` parameter.
- 2 Include the code replacement section in the report.
  - In a project, on the **Debugging** tab, select the **Code replacements** check box.
  - In a code configuration object, set the `GenerateCodeReplacementReport` parameter.

### Generate Replacement Code

Generate C/C++ code from the MATLAB code. If you configured the code generator to produce a report, generate a code generation report. For example, in the MATLAB Coder app, on the **Generate Code** page, click **Generate**. Or, at the command prompt, enter:

```
codegen -report myFunction -args {5} -config cfg
```

The code generator produces the code and displays the report.

### Verify Code Replacements

Verify code replacements by examining the generated code. Code replacement can sometimes behave differently than you expect. For example, data types that you observe in the code generator input might not match what the code generator uses as intermediate data types during an operation.

### Related Examples

- “Choose a Code Replacement Library” on page 47-23
- “Configure Build Settings”
- “Review and Test Code Replacements” on page 25-67

### **More About**

- “What Is Code Replacement?” on page 47-2
- “Code You Can Replace from MATLAB Code” on page 25-4
- “Code Replacement Libraries” on page 47-14
- “Code Replacement Terminology” on page 47-16
- “Code Replacement Limitations” on page 47-19

### **External Websites**

- Supported Compilers

# Choose a Code Replacement Library

## In this section...

“About Choosing a Code Replacement Library” on page 47-23

“Explore Available Code Replacement Libraries” on page 47-23

“Explore Code Replacement Library Contents” on page 47-32

## About Choosing a Code Replacement Library

By default, the code generator does not use a code replacement library.

If you are considering using a code replacement library:

- 1 Explore available libraries. Identify one that best meets your application needs.
  - Consider the lists of application code replacement requirements and libraries that MathWorks provides in “What Is Code Replacement?” on page 47-2.
  - See “Explore Available Code Replacement Libraries” on page 47-23.
- 2 Explore the contents of the library. See “Explore Code Replacement Library Contents” on page 20-32.

If you do not find a suitable library and you have an Embedded Coder license, you can create a custom code replacement library.

## Explore Available Code Replacement Libraries

You can select the code replacement library to use for code generation in a project, on the **Custom Code** tab, by setting the **Code replacement library** parameter. Alternatively, in a code configuration object, set the `CodeReplacementLibrary` parameter.

## Explore Code Replacement Library Contents

Use the Code Replacement Viewer to explore the content of a code replacement library.

- 1 At the command prompt, type `crviewer`.

```
>> crviewer
```

The viewer opens. To view the content of a specific library, specify the name of the library as an argument in single quotes. For example:

```
>> crviewer('GNU C99 extensions')
```

- 2** In the left pane, select the name of a library. The viewer displays information about the library in the right pane.
- 3** In the left pane, expand the library, explore the list of tables it contains, and select a table from the list. In the middle pane, the viewer displays the function and operator entries that are in that table, along with abbreviated information for each entry.
- 4** In the middle pane, select a function or operator. The viewer displays information from the table entry in the right pane.

If you select an operator entry that specifies net slope fixed-point parameters (instantiated from entry class `RTW.Tf1COperationEntryGenerator` or `RTW.Tf1COperationEntryGenerator_NetSlope`), the viewer displays an additional tab that shows fixed-point settings.

See [Code Replacement Viewer](#) for details on what the viewer displays.

## Related Examples

- “Replace Code Generated from MATLAB Code” on page 47-20

## More About

- “What Is Code Replacement?” on page 47-2
- “Code You Can Replace from MATLAB Code” on page 25-4
- “Code Replacement Libraries” on page 47-14
- “Code Replacement Terminology” on page 47-16
- “Code Replacement Limitations” on page 47-19

# Storage Classes for Code Generation from MATLAB Code

---

- “Storage Classes for Code Generation from MATLAB Code” on page 48-2
- “Control Declarations and Definitions of Global Variables in Code Generated from MATLAB Code” on page 48-5

## Storage Classes for Code Generation from MATLAB Code

If you have an Embedded Coder license, you can use storage classes to control the declaration and definition of a global variable in the generated C/C++ code.

In the context of code generation, a *storage class* is a specification that determines the declaration and definition of a variable in the generated code. For code generation, the term storage class is not the same as the C language term *storage class specifier*.

Storage classes help you to integrate generated code with external code. You can make a generated variable visible to external code. You can also make variables declared in the external code visible to the generated code. For code generation from MATLAB code, you can use storage classes with global variables only. The storage class determines:

- The file placement of a global variable declaration and definition.
- Whether the global variable is imported from external code or exported for use by external code.

To assign a storage class to a global variable, in your MATLAB code, use the `coder.storageClass` function. Only when you use an Embedded Coder project or configuration object for generation of C/C++ libraries or executables does the code generation software recognize `coder.storageClass` calls.

The syntax for `coder.storageClass` is:

```
coder.storageClass(global_name, storage_class)
```

`var_name` is the name of a global variable. Specify `var_name` as a constant string.

`storage_class` can be one of the following values.

| Storage Class    | Description                                                                                                                                                                                                                                                                                                                                                                                                             |
|------------------|-------------------------------------------------------------------------------------------------------------------------------------------------------------------------------------------------------------------------------------------------------------------------------------------------------------------------------------------------------------------------------------------------------------------------|
| 'ExportedGlobal' | <ul style="list-style-type: none"> <li>• Defines the variable in the <b>Variable Definitions</b> section of the C file <code>entry_point_name.c</code>.</li> <li>• Declares the variable as an <b>extern</b> in the <b>Variable Declarations</b> section of the header file <code>entry_point_name.h</code>.</li> <li>• Initializes the variable in the function <code>entry_point_name_initialize.h</code>.</li> </ul> |



| Storage Class           | Description                                                                                                                                                                                                                 |
|-------------------------|-----------------------------------------------------------------------------------------------------------------------------------------------------------------------------------------------------------------------------|
| 'ExportedDefine'        | Declares the variable with a <code>#define</code> directive in the <code>Exported data define</code> section of the header file <code>entry_point_name.h</code> .                                                           |
| 'ImportedExtern'        | Declares the variable as an <code>extern</code> in the <code>Variable Declarations</code> section of the header file <code>entry_point_name_data.h</code> . The external code must supply the variable definition.          |
| 'ImportedExternPointer' | Declares the variable as an <code>extern pointer</code> in the <code>Variable Declarations</code> section of the header file <code>entry_point_name_data.h</code> . The external code must define a valid pointer variable. |

Storage classes have these requirements and limitations:

- Assign the storage class to a global variable in a function that declares the global variable. You do not have to assign the storage class in more than one function.
- After you assign a storage class to a global variable, you cannot assign a different storage class to that global variable.
- You cannot assign a storage class to a constant global variable.
- A global variable with an `ExportedDefine` storage class must be a scalar but not a complex or multi-word scalar. The global variable must only be read and not written to in the code.

If you do not assign a storage class to a global variable, except for the declaration location, the variable behaves like it has an `'ExportedGlobal'` storage class. For an `'ExportedGlobal'` storage class, the global variable is declared in the file `entry_point_name.h`. When the global variable does not have a storage class, the variable is declared in the file `entry_point_name_data.h`.

## Related Examples

- “Control Declarations and Definitions of Global Variables in Code Generated from MATLAB Code” on page 48-5

- “Generate Code for Global Data”

## Control Declarations and Definitions of Global Variables in Code Generated from MATLAB Code

This example shows how to use storage classes to control the declarations and definitions of global variables in C/C++ code generated from MATLAB code. Using storage classes helps you to interface generated code with external code.

This example requires an Embedded Coder license.

Write a function `addglobals` that adds four global variables. Declare the global variables in the function.

```
function y = addglobals

% Define the global variables.

global u;
global v;
global x;
global z;

% Assign the storage classes.

coder.storageClass('u', 'ExportedGlobal');
coder.storageClass('v', 'ImportedExtern');
coder.storageClass('x', 'ImportedExternPointer');
coder.storageClass('z', 'ExportedDefine');
y = u + v + x + z;
end
```

Create a file `c:\myfiles\myfile.c` that defines and initializes the imported global variables `u` and `v`.

```
#include <stdio.h>

/* Variable definitions for imported variables */
double v = 1.0;
double *x = &v;
```

Create a code configuration object. Configure the code generation parameters to include `myfile.c`. For output type `'lib'`, or if you generate source code only, you can generate code without providing this file. Otherwise, you must provide this file.

```
cfg = coder.config('dll','ecoder', true);
cfg.CustomSource = 'myfile.c';
cfg.CustomInclude = 'c:\myfiles';
```

Generate the code. This example uses the `-globals` argument to specify the types and initial values of the global variables `u`, `v`, `x`, and `z`. Alternatively, you can define global variables in the MATLAB global workspace. For the imported global variables `v` and `x`, the code generation software uses the initial values only to determine the type.

```
codegen -config cfg -globals {'u', 1, 'v', 2, 'x', 3, 'z', 4} addglobals -report
```

From the initial values 1, 2, 3, and 4 `codegen` determines that `u`, `v`, `x` and `z` have type `double`. `codegen` defines and declares the exported global variables `u` and `z`. It generates code that initializes `u` to 1.0 and `z` to 4.0. `codegen` declares the imported global variables `v` and `x`. It does not define these variables or generate code that initializes them. `myfile.c` provides the code that defines and initializes `v` and `x`.

To view the code generated for the global variables, open the report. Click the [View report link](#).

View the definition for the exported global `z` in the `Exported data define` section in `addglobals.h`.

```
/* Definition for custom storage class: ExportedDefine */
#define z 4.0
```

View the definition and declaration for the exported global `u`.

- `u` is defined in the `Variable Definitions` section in `addglobals.c`.

```
/* Variable Definitions */
/* Definition for custom storage class: ExportedGlobal */
double u;
```

- `u` is declared as `extern` in the `Variable Declarations` section in `addglobals.h`.

```
/* Variable Declarations */
/* Declaration for custom storage class: ExportedGlobal */
extern double u;
```

- `u` is initialized in `addglobals_initialize.c`.

```
/* Include Files */
#include "rt_nonfinite.h"
#include "addglobals.h"
```

```
#include "addglobals_initialize.h"

/* Named Constants */
#define b_u                                (1.0)

/* Function Definitions */

/*
 * Arguments      : void
 * Return Type   : void
 */
void addglobals_initialize(void)
{
    rt_InitInfAndNaN(8U);
    u = b_u;
}
```

View the definition and declaration for the imported external global `v` and the imported external global pointer `x`.

`v` and `x` are declared as `extern` in the **Variable Declarations** section in `addglobals_data.h`.

```
/* Variable Declarations */
/* Declaration for custom storage class: ImportedExtern */
extern double v;

/* Declaration for custom storage class: ImportedExternPointer */
extern double *x;
```

## See Also

`coder.storageClass`

## Related Examples

- “Generate Code for Global Data”
- “Specify External File Locations”

## More About

- “Storage Classes for Code Generation from MATLAB Code” on page 48-2



# Verification of Code Generated from MATLAB Code

---

- “Highlight Potential Data Type Issues in a Report” on page 49-2
- “Find Potential Data Type Issues in Generated Code” on page 49-5
- “PIL Execution with ARM Cortex-A at the Command Line” on page 49-13
- “PIL Execution with ARM Cortex-A by Using the MATLAB Coder App” on page 49-15

## Highlight Potential Data Type Issues in a Report

| In this section...                                                      |
|-------------------------------------------------------------------------|
| “Enable Highlight Option Using the MATLAB Coder App” on page 49-3       |
| “Enable Highlight Option Using the Command Line Interface” on page 49-4 |

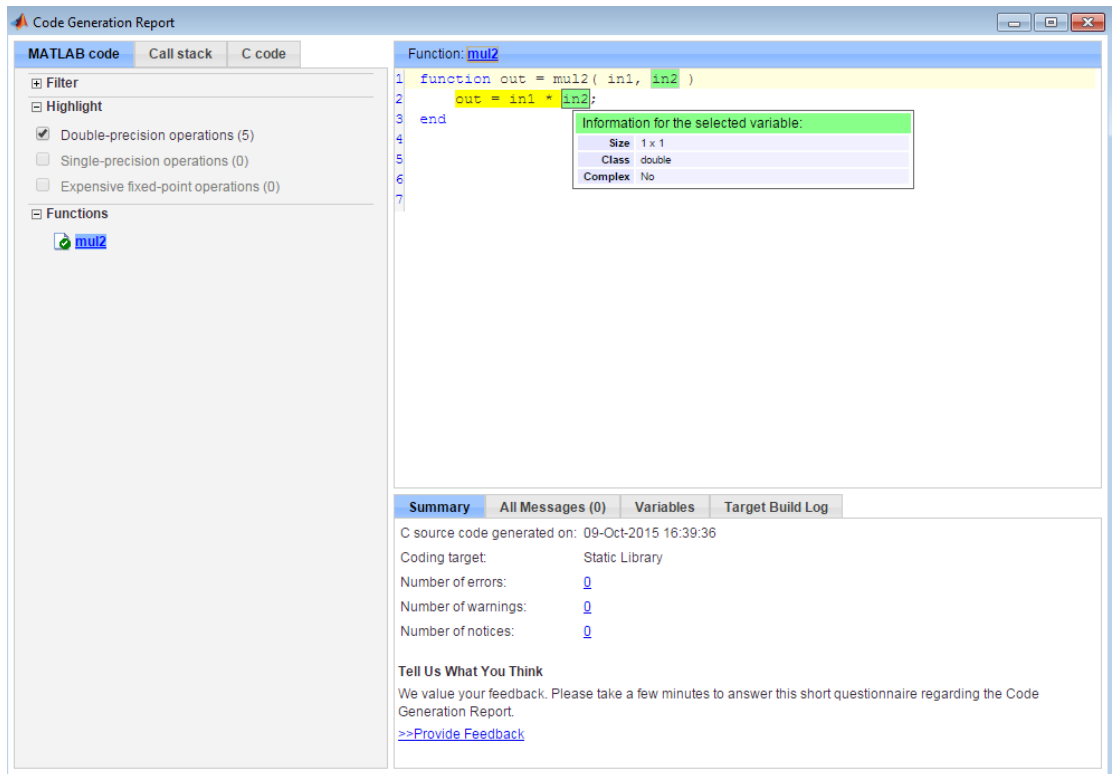
If you have an Embedded Coder license, you have the option to highlight potential data types issues in the code generation report for standalone code generated from MATLAB code. If you enable this option, the **Highlight** section on the **MATLAB code** tab lists the number of single-precision and double-precision operations in the generated C/C++ code. If you have a Fixed-Point Designer license, it also lists the number of expensive fixed-point operations.

To highlight the MATLAB code that corresponds to the potential data type issues:

- 1 Select the check box for the type of operation that you want to highlight.
- 2 Select the function that you want to highlight.


The report highlights the operations in the selected function. The following example report highlights MATLAB code that results in double-precision operations in the generated code.





The option to highlight potential data type issues is disabled by default.

## Enable Highlight Option Using the MATLAB Coder App

- 1 On the **Generate Code** page, to open the **Generate** dialog box, click the **Generate** arrow .
- 2 Set **Build type** to one of the following:
  - Source Code
  - Static Library (.lib)
  - Dynamic Library (.dll)
  - Executable (.exe)

- 3** Click **More Settings**.
- 4** On the **Debugging** tab, select the **Always create a code generation report** and **Highlight potential data type issues** check boxes.

### **Enable Highlight Option Using the Command Line Interface**

- 1** Create an embedded code configuration object for 'lib', 'dll', or 'exe':

```
cfg = coder.config('lib','ecoder',true); % or dll or exe
```

- 2** Set the `GenerateReport` and `HighlightPotentialDataTypeIssues` configuration object properties to `true`:

```
cfg.GenerateReport = true;  
cfg.HighlightPotentialDataTypeIssues = true;
```

### **Related Examples**

- “Find Potential Data Type Issues in Generated Code” on page 49-5

## Find Potential Data Type Issues in Generated Code

### In this section...

“Data Type Issues Overview” on page 49-5

“Enable Highlighting of Potential Data Type Issues” on page 49-5

“Find and Address Cumbersome Operations” on page 49-6

“Find and Address Expensive Rounding” on page 49-8

“Find and Address Expensive Comparison Operations” on page 49-9

“Find and Address Multiword Operations” on page 49-11

### Data Type Issues Overview

When you generate C code from MATLAB code, you can highlight potential data type issues in the C code generation report. The report highlights MATLAB code that requires single-precision, double-precision, or expensive fixed-point operations. The expensive fixed-point operations checks require a Fixed-Point Designer license.


- The double-precision check highlights expressions that result in a double-precision operation. When trying to achieve a strict-single or fixed-point design, manual inspection of code can be time-consuming and error prone.

For a strict-single precision design, specify a standard math library that supports single-precision implementations. To change the library for a project, during the Generate Code step, in the project settings dialog box, on the **Custom Code** tab, set the **Standard math library** to **C99 (ISO)**.

- The single-precision check highlights expressions that result in a single operation.
- The expensive fixed-point operations check identifies optimization opportunities for fixed-point code. It highlights expressions in the MATLAB code that require cumbersome multiplication or division, expensive rounding, expensive comparison, or multiword operations. For more information on optimizing generated fixed-point code, see “Tips for Making Generated Code More Efficient”.

### Enable Highlighting of Potential Data Type Issues

**Procedure 49.1. Enable the highlight option using the MATLAB Coder app**

- 1 On the **Generate Code** page, to open the **Generate** dialog box, click the **Generate** arrow .
- 2 Set **Build type** to one of the following:
  - Source Code
  - Static Library (.lib)
  - Dynamic Library (.dll)
  - Executable (.exe)
- 3 Click **More Settings**.
- 4 On the **Debugging** tab, select the **Always create a code generation report** and **Highlight potential data type issues** check boxes.

#### Procedure 49.2. Enable the highlight option using the command-line interface

- 1 Create an embedded code configuration object for 'lib', 'dll', or 'exe':

```
cfg = coder.config('lib','ecoder',true); % or dll or exe
```
- 2 Set the `GenerateReport` and `HighlightPotentialDataTypeIssues` configuration object properties to true:

```
cfg.GenerateReport = true;  
cfg.HighlightPotentialDataTypeIssues = true;
```

## Find and Address Cumbersome Operations

Cumbersome operations usually occur due to an insufficient range of output. Avoid inputs to a multiply or divide operation that have word lengths larger than the base integer type of your processor. Software can process operations with larger word lengths, but this approach requires more code and runs slower.

This example requires Embedded Coder and Fixed-Point Designer licenses to run. The target word length for the processor in this example is 64.

- 1 Create the function `myMul`.

```
function out = myMul(in1, in2)  
    out = fi(in1*in2, 1, 64, 0);  
end
```
- 2 Generate code for `myMul`.

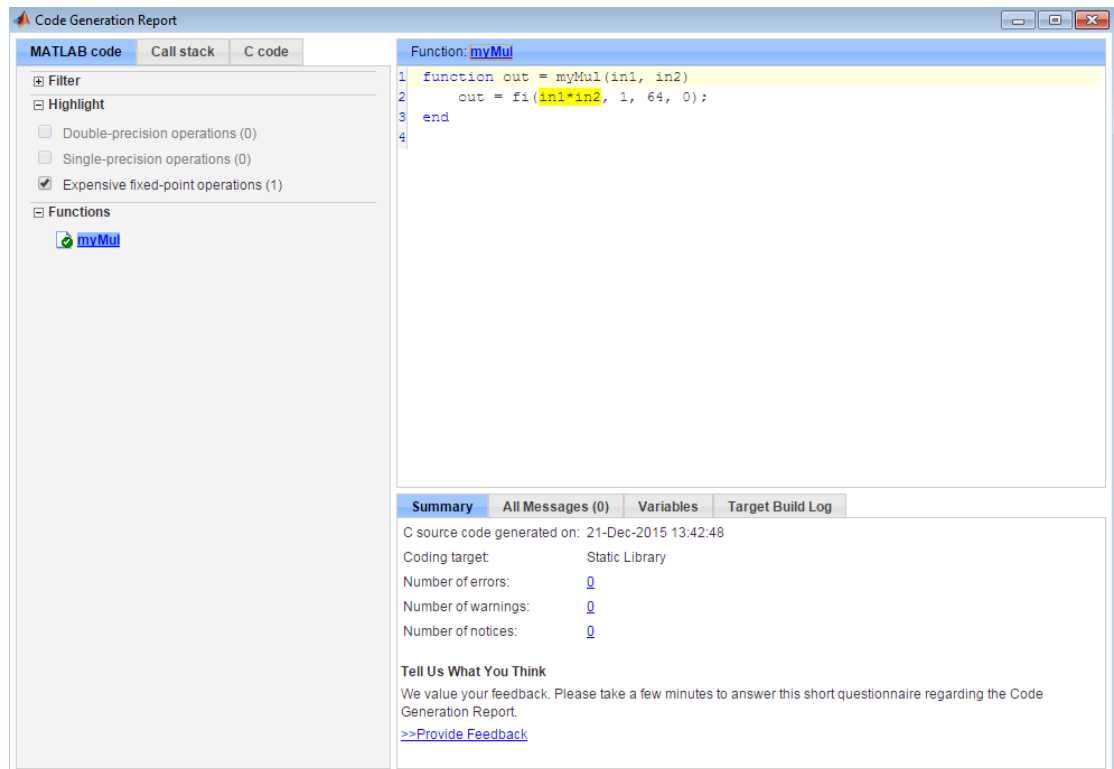
```
cfg = coder.config('lib');
```

```

cfg.GenerateReport = true;
cfg.HighlightPotentialDataTypeIssues = true;
fm = fimath('ProductMode', 'SpecifyPrecision', 'ProductWordLength', 64);
codegen -config cfg myMul -args {fi(1, 1, 64, 4, fm), fi(1, 1, 64, 4, fm)}

```

- 3 Click **View report**.
- 4 In the Code Generation Report, on the left pane, click the **MATLAB code** tab.
- 5 Expand the **Highlight** section and select the **Expensive fixed-point operations** check box.



To resolve this issue, modify the data types of `in1` and `in2` so that the word length of the product does not exceed the target word length of 64.

## Find and Address Expensive Rounding

Traditional handwritten code, especially for control applications, almost always uses "no effort" rounding. For example, for unsigned integers and two's complement signed integers, shifting right and dropping the bits is equivalent to rounding to floor. To get results comparable to, or better than, what you expect from traditional handwritten code, use the `floor` rounding method.

This example requires Embedded Coder and Fixed-Point Designer licenses to run.

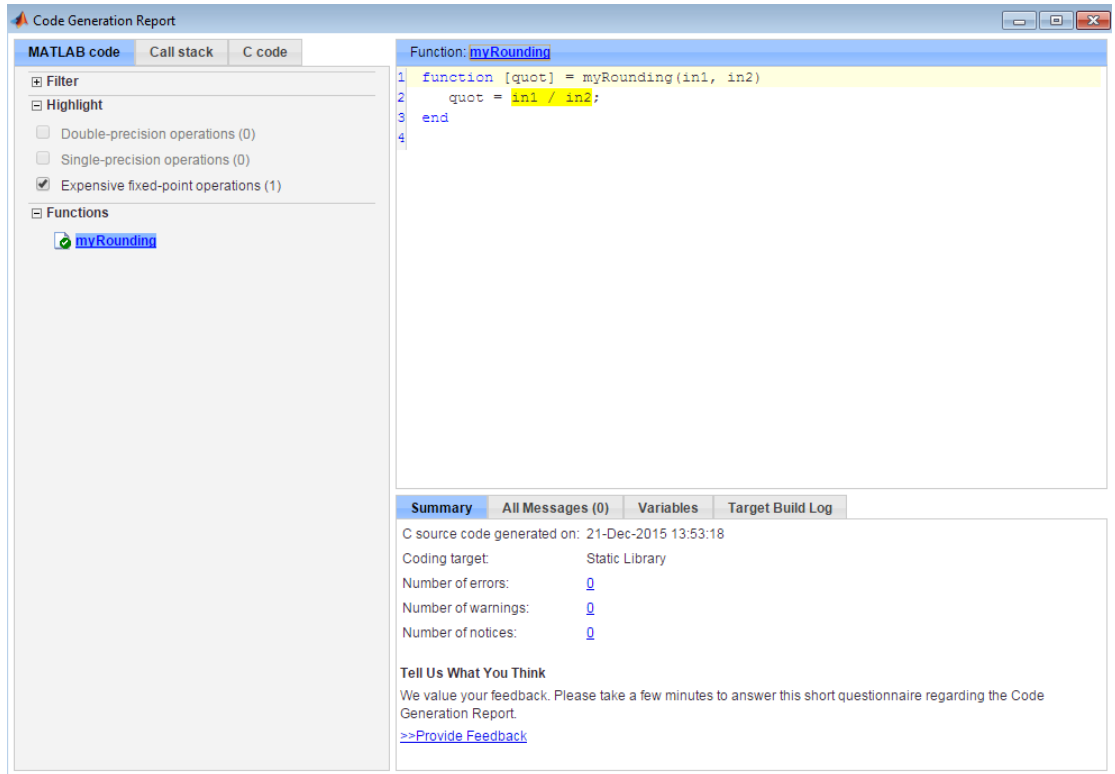
- 1 Create the function `myRounding`.

```
function [quot] = myRounding(in1, in2)
    quot = in1 / in2;
end
```

- 2 Generate code for `myRounding`.

```
cfg = coder.config('lib');
cfg.GenerateReport = true;
cfg.HighlightPotentialDataTypeIssues = true;
codegen -config cfg myRounding -args {fi(1, 1, 16, 2), fi(1, 1, 16, 4)}
```

- 3 Click **View report**.
- 4 In the Code Generation Report, on the left pane, click the **MATLAB code** tab.
- 5 Expand the **Highlight** section and select the **Expensive fixed-point operations** check box.



This division operation uses the default rounding method, `nearest`. Changing the rounding method to `FLOOR` provides a more efficient implementation.

## Find and Address Expensive Comparison Operations

Comparison operations generate extra code when a casting operation is required to do the comparison. For example, before comparing an unsigned integer to a signed integer, one of the inputs must be cast to the signedness of the other. Consider optimizing the data types of the input arguments so that a cast is not required in the generated code.

This example requires Embedded Coder and Fixed-Point Designer licenses to run.

- 1 Create the function `myRelop`.

```
function out = myRelop(in1, in2)
    out = in1 > in2;
end
```

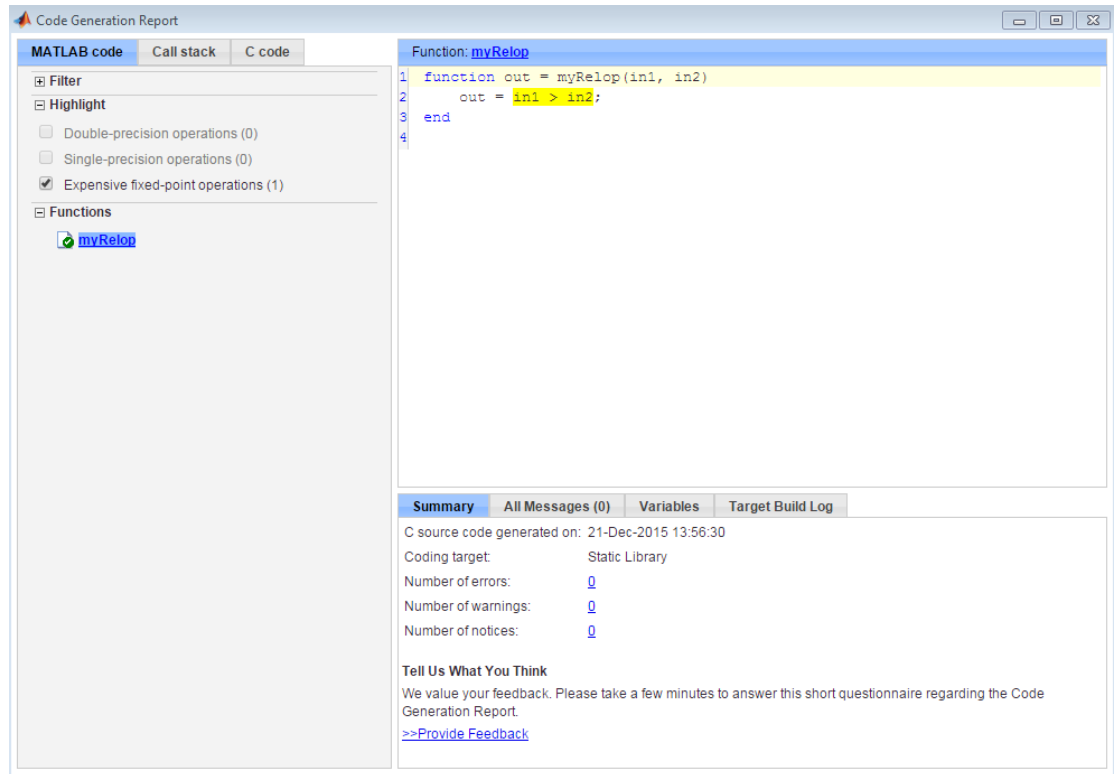
2 Generate code for myRelop.

```
cfg = coder.config('lib');
cfg.GenerateReport = true;
cfg.HighlightPotentialDataTypeIssues = true;
codegen -config cfg myRelop -args {fi(1, 1, 14, 3, 1), fi(1, 0, 14, 3, 1)}
```

3 Click **View report**.

4 In the Code Generation Report, on the left pane, click the **MATLAB code** tab.

5 Expand the **Highlight** section and select the **Expensive fixed-point operations** check box.





The first input argument, `in1`, is signed, while `in2` is unsigned. Extra code is generated because a cast must occur before the two inputs can be compared.

Change the signedness and scaling of one of the inputs to generate more efficient code.

## Find and Address Multiword Operations

Multiword operations can be inefficient on hardware. When an operation has an input or output data type larger than the largest word size of your processor, the generated code contains multiword operations. You can avoid multiword operations in the generated code by specifying local `fimath` properties for variables. You can also manually specify input and output word lengths of operations that generate multiword code.

This example requires Embedded Coder and Fixed-Point Designer licenses to run. The target word length is 64 in this example.

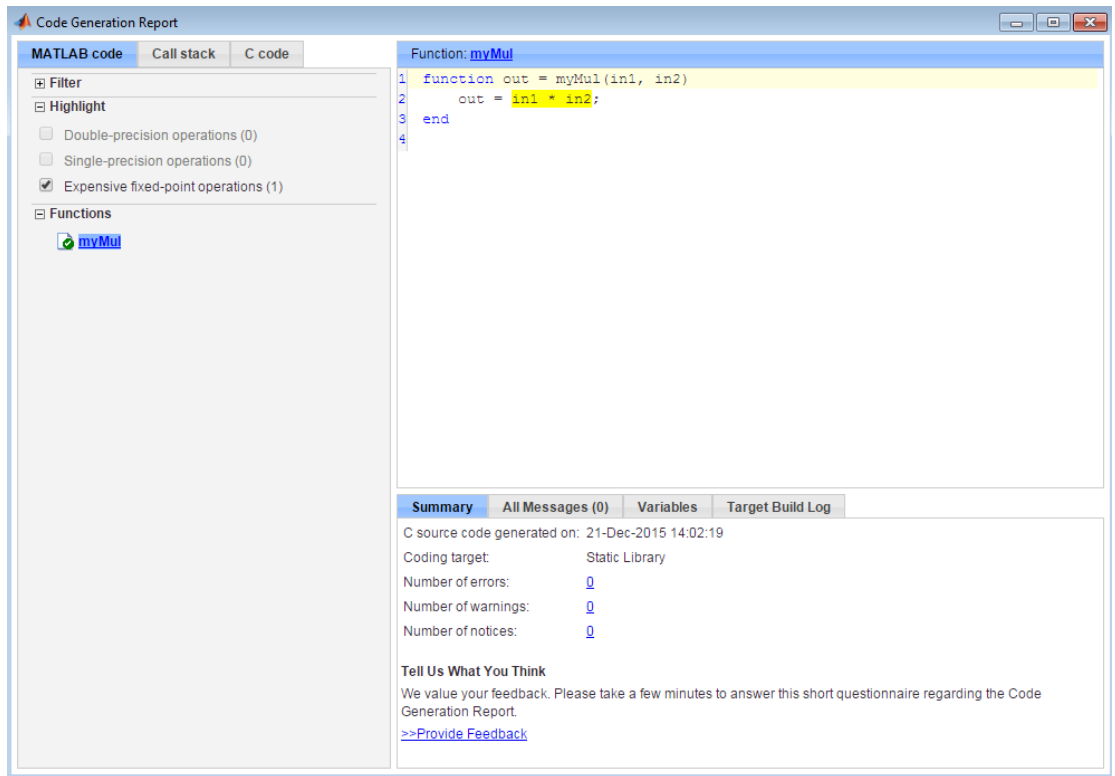
- 1 Create the function `myMul`.

```
function out = myMul(in1, in2)
    out = in1 * in2;
end
```

- 2 Generate code for `myMul`.

```
cfg = coder.config('lib');
cfg.GenerateReport = true;
cfg.HighlightPotentialDataTypeIssues = true;
codegen -config cfg myMul -args {fi(1, 1, 33, 4), fi(1, 1, 32, 4)}
```

- 3 Click **View report**.
- 4 In the Code Generation Report, on the left pane, click the **MATLAB code** tab.
- 5 Expand the **Highlight** section and select the **Expensive fixed-point operations** check box.



The `in1 * in2` operation is highlighted in the HTML report. On the bottom pane, click the **Variables** tab. The word length of `in1` is 33 bits, and the word length of `in2` is 32 bits. Hovering over the highlighted expression reveals that the product has a word length of 65, which is larger than the target word length of 64. Therefore, the software detects a multiword operation.

To resolve this issue, modify the data types of `in1` and `in2` so the word length of the product does not exceed the target word length, or specify the `ProductMode` property of the local `fimath` object.

## PIL Execution with ARM Cortex-A at the Command Line

This example shows how to set up a PIL execution to verify generated code at the command line.

You can use processor-in-the-loop (PIL) executions to verify generated code that you deploy to target hardware by using a MATLAB Coder procedure. You can profile algorithm performance and speed for your generated code. To verify generated code with the MATLAB Coder app, you must have an Embedded Coder license.

This PIL execution is available with these hardware support packages. To use the PIL execution, install one of these support packages.

- Embedded Coder Support Package for BeagleBone Black Hardware
- Embedded Coder Support Package for ARM Cortex<sup>®</sup>-A Processors

In the Command Window, select the hardware for PIL execution.

```
hw = coder.hardware('ARM Cortex-A9 (QEMU)')
```

```
hw =
```

```
Hardware with properties:
```

```
    Name: 'ARM Cortex-A9 (QEMU)'  
    CPUClockRate: 1000
```

When using the BeagleBone hardware, more hardware properties are supported (Username, Password, and DeviceAddress). Set these properties based on your specific hardware or application.

```
hw = coder.hardware('BeagleBone Black')
```

```
hw =
```

```
Hardware with properties:
```

```
    Name: 'BeagleBone Black'  
    CPUClockRate: 1000  
    Password: 'root'  
    Username: 'admin'  
    DeviceAddress: '192.168.1.10'
```

Add the hardware to the MATLAB Coder configuration object.

```
cfg = coder.config('lib','ecoder',true);  
cfg.VerificationMode = 'PIL';  
cfg.Hardware = hw;
```

Generate PIL code for a function, `computeFFT`.

```
codegen -config cfg computeFFT -args {zeros(1,16)}
```

For another example of PIL verification, see the "Processor-in-the-Loop Verification of MATLAB Functions" page in the documentation of the Embedded Coder Support Package for ARM Cortex-A Processors. Install the support package to view the documentation.

## PIL Execution with ARM Cortex-A by Using the MATLAB Coder App

You can use processor-in-the-loop (PIL) executions to verify generated code that you deploy to target hardware by using a MATLAB Coder procedure. You can profile algorithm performance and speed for your generated code. To verify generated code with the MATLAB Coder app, you must have an Embedded Coder license.

This PIL execution is available with these hardware support packages. To use the PIL execution, install one of these support packages.

- Embedded Coder Support Package for BeagleBone Black Hardware
- Embedded Coder Support Package for ARM Cortex-A Processors

You can set up PIL execution with the MATLAB Coder app.

To configure the build type and hardware board:

- 1** On the **Generate Code** page, in the **Generate** dialog box:
  - Set the **Build type** to **Static Library** or **Dynamic Library**.
  - Clear the **Generate code only** check box.
  - Set the **Hardware Board** to **BeagleBone Black** or **ARM Cortex-A9 (QEMU)**.
- 2** If necessary, modify the settings for your board. To modify the settings, click **More Settings**, and then click **Hardware**.
- 3** To generate the library, click **Generate**.
- 4** Set up your PIL execution. Click **Verify Code** to open the **Verify Code** dialog box.

Because the hardware board is not MATLAB Host Computer, the **Verify Code** dialog box is configured for PIL execution.

In the **Verify Code** dialog box:

- Enter the name of the test file to use for PIL execution.
  - Select **Generated code**.
- 5** To start the PIL execution, click **Run Generated Code**.
  - 6** To stop the PIL execution, click **Stop**.

For another example of PIL verification, see the "Processor-in-the-Loop Verification of MATLAB Functions" page in the documentation of the Embedded Coder Support Package for ARM Cortex-A Processors. Install the support package to view the documentation.

